



INTERPUMP

FLUID SOLUTIONS 

Powered by I.M.M. Hydraulics

Carbon Steel fittings

2020

Carbon Steel fittings

**Standard tail
Inter-lock Tail
Hyblast Tail
Multispiral Tail
Low Pressure**

We have also available the following catalogues



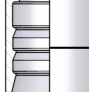



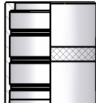



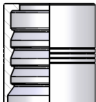



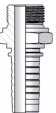
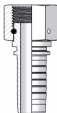
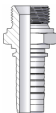
Hydraulic Hoses and Accessories

One-Piece fittings

Stainless Steel fittings

Standard
tail

in!

Braided Trecciato	001C	0022	0001	0002
				
	Swaged Ferrule (no skive)	Swaged Ferrule (no skive)	Swaged Ferrule (skive)	Swaged Ferrule (skive)
	9	10	11	12
Compact Compatto	003T	Textile Tessile	0003	Thermo plastic
				
	Swaged Ferrule (no skive)		Swaged Ferrule (no skive)	
	12		13	
0007	0008	PTFE	PTFE	PTFE-C
				
Swaged Ferrule (no skive)	Swaged Ferrule (no skive)		Ferrule for PTFE hose	Ferrule for PTFE hose
13	14		14	15
Spiral	0009	004H	BMC1	BMC2
				
	Swaged Ferrule (skive)	Swaged Ferrule (skive)	Swaged Ferrule (no skive)	Swaged Ferrule (no skive)
	15	16	16	17
BSP Flat	0345	0060	MALE BSP 60°	0350
				
	BSP Male - Flat Seat	BSP Female Flat Seal		BSP Male Parallel 60° cone
	17	18		19

035G



BSP Male Parallel 60°
Cone - Rotating

21



0051



BSP Female 60° Cone
Rolled Nut

22

0050



BSP Female 60° cone
Thrust Wire

23

0058



BSP Female 60° Cone
Slip On Nut

24

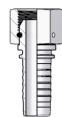
0041



BSP O'Ring Female
60° Cone - Rolled Nut

24

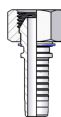
0040



BSP O'Ring Female
60° Cone-Thrust
wire

25

0048



BSP O'Ring Female
60° Cone - Slip on nut

25

0151



BSP 90° Swept elbow
60° cone Rolled Nut

26

0150



BSP 90° Swept Elbow
60° cone Thrust Wire

27

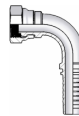
0158



BSP 90° Swept elbow
60° cone Slip On Nut

28

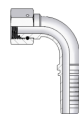
0141



BSP O'Ring 90° Swept
elbow 60° cone- Rol-
led Nut

28

0140



BSP O'Ring 90° Swept
elbow 60° cone-
Thrust Wire Nut

29

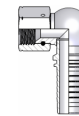
0148



BSP O'Ring 90° Swept
elbow 60° cone- Slip
on nut

29

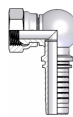
2300



BSP 90° Compact El-
bow 60° Cone - Thrust
wire - Welded

30

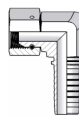
2301



BSP 90° Compact El-
bow 60° Cone - Rolled
nut - Welded

30

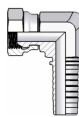
2320



BSP 90° Compact El-
bow 60° Cone - Thrust
wire

31

2321



BSP 90° Compact El-
bow 60° Cone - Rolled
nut

31

0251



BSP 45° Swept Elbow
60° Cone - Rolled nut

32

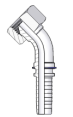
0250



BSP 45° Swept Elbow
60° Cone - Thrust
Wire Nut

33

0258



BSP 45° Swept Elbow
60° Cone - Slip on
nut

34

0241



BSP O'Ring 45° Swept
Elbow 60° Cone - Rol-
led nut

34

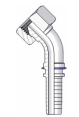
0240



BSP O'Ring 45° Swept
Elbow 60° Cone -
Thrust Wire Nut

35

0248

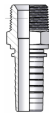


BSP O'Ring 45° Swept
Elbow 60° Cone - Slip
on nut

35

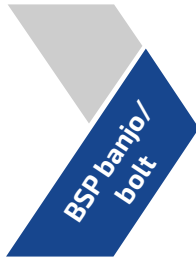


0360



BSP Taper Male 60° cone

20



1400



BSP Banjo

36

1600



Double BSP perfored bolt

37

1600-00



BSP perfored bolt

37



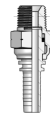
0370



NPTF Male 60° cone

38

037G



NPTF Male Parallel 60° Cone - Rotating

39

N051



NPSM Female 60° Cone Rolled Nut

39



0850

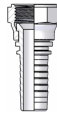


JIC Male 74° cone

40



0901



JIC Female 74° cone - Rolled Nut

41

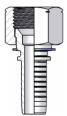
0900



JIC Female 74° Thrust Wire Nut

42

0902



JIC Female 74° - Slip on nut

43

0901D



JIC Female 74° cone - Double hexagon

43

0951



JIC 90° Swept Elbow 74° cone - Rolled Nut

44

0950



JIC 90° Swept Elbow 74° cone - Thrust Wire Nut

45

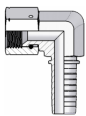
0952



JIC 90° Swept Elbow 74° cone - Slip on nut

46

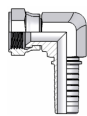
2970



JIC 90° Compact Elbow 74° cone - Thrust Wire Nut

46

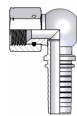
2971



JIC 90° Compact Elbow 74° cone - Crimped Nut

47

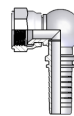
2950



JIC 90° Compact Elbow 74° cone - Thrust Wire Nut - Welded

47

2951



JIC 90° Compact Elbow 74° cone - Rolled Nut - Welded

48

1001



JIC 90° Swept Elbow 74° cone - Rolled Nut

49

1000



JIC 45° Swept Elbow
74° Cone Slipe on nut

50

1002



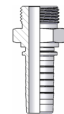
JIC 45° Swept Elbow
74° Cone Slipe on nut

51



SAE Boss

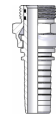
0385



SAE Male O'R Flat
Seat

51

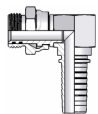
0390



Swivel Male O'Ring

52

0395



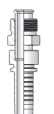
90° Swivel Male O'ring

52



Inverted Flare

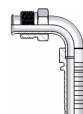
IF00



Straight Male Inverted
Flare Swivel

53

IF90



90° Male Inverted
Flare Swivel

54

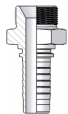
IF45



45° Male Inverted
Flare Swivel

54

0400



Metric Male 60° cone

55

0100



Metric Female 60°
cone

56

0200



90° Metric Swept
Elbow 60° cone

56

0300



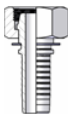
45° Metric Swept
Elbow 60° cone

57



Metric Din
24° DKL

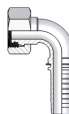
0035



Metric Female 24°
Seat Light Multiseal

57

0135



90° Metric Swept
Elbow 24° Seat Light
Multiseal

58

0235



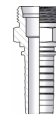
45° Metric Swept
Elbow 24° Seat Light
Multiseal

58



Metric Din
24° CEL

0500



Metric Male 24° Seat
Light

59

Metric Din
24° DKOL

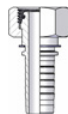
0085



Metric Female 24°
Seat Light

60

0085R



Metric Female 24°
Seat Light (rolled
nut)

61

0185



90° Metric Swept
Elbow 24° Seat Light

62

0185R



90° Metric Swept
Elbow 24° Seat Light
(rolled nut)

63

0285



45° Metric Swept Elbow 24° Seat Light

64

0285R



45° Metric Swept Elbow 24° Seat Light (rolled nut)

64



0450



Metric Male 24° Seat Heavy

65



0084



Metric Female 24° Seat Heavy

66

0184



90° Metric Swept Elbow 24° Seat Heavy

67

0284



45° Metric Swept Elbow 24° Seat Heavy

68



1350



Metric Banjo

69

1650



Metric perfored bolt

70

0550



Metric Standpipe

71



0650



90° Metric Standpipe

72

0650S



90° Metric Standpipe (welded)

73

0750



45° Metric Standpipe

74

0750S

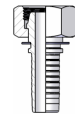


45° Metric Standpipe (Welded)

75



0030



Metric Female 24° Cone French Type

76

0130



90° Metric Swept Elbow 24° Cone French Type

76



FK50



K' Female

77

FN50



'K' Male (for gun) - Diameter 10

77

FN51



'K' Male (for gun) - Diameter 11

78



0398

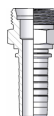


Staplelock Male

78



K05B

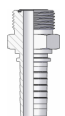


Kobelko Male

79



S350

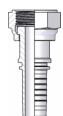


ORFS Male

80



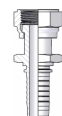
S050



ORFS Female

81

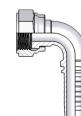
S05T



ORFS Female Back Hexagon

82

S150



ORFS 90° Swept Elbow

83

S250

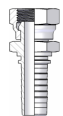


ORFS 45° Swept Elbow

84



0920

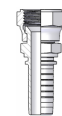


JIS Female 60° cone (Nissan)

85



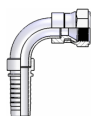
0930



JIS Female 60° cone (Toyota)

85

0980S



90° JIS Swept Elbow (Toyota) - welded

86

1030S



45° JIS Swept Elbow (Toyota) - welded

86



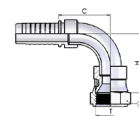
0940



JIS Female 60° Cone (Komatsu)

87

0990S



90° JIS Swept Elbow (Komatsu) - welded

87

1040S



45° JIS Swept Elbow (Komatsu) - welded

88

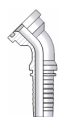
1050



Komatsu Flange 90°

80

1150



Komatsu Flange 45°

88

1250



Komatsu Flange - Straight

89



1260



Straight SAE Flange
3000 PSI

89

1060



90° SAE Flange 3000
PSI

90

1160



45° SAE Flange 3000
PSI

91

1060

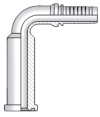


22.5°/30°/60°/67.5°
SAE Flange 3000 PSI

92



FS3L



90° SAE Flange 3000
Psi - Long Drop

93

S003



Cut Split Flanges -
3000 psi

93



1310



Straight SAE Flange
6000 PSI

94

1110



90° SAE Flange 6000
PSI

95

1210



45° SAE Flange 6000
PSI

96

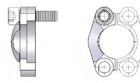
FS6L



90° SAE Flange 6000
Psi - Long Drop

97

S006



Cut Split Flanges -
6000 psi

97



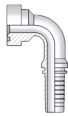
130S



Straight 'CAT' Flange

98

110S



90° 'CAT' Flange

98

120S



45° 'CAT' Flange

99



D050



Hose Junction

99



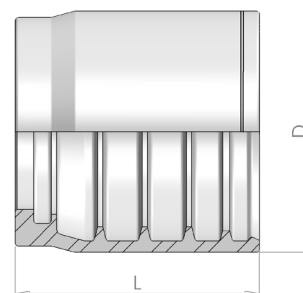
G500



Weldable Fitting

100

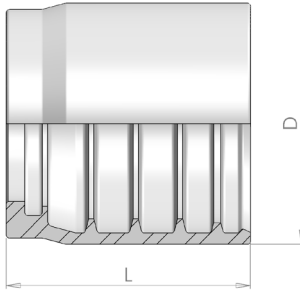
Swaged Ferrule (no skive)



Part number	Hose I.D.		Dimensions		Skive Length
	in	mm	D	L	
001C-03	3/16	4,8	185	24	NO
001C-04	1/4	6.4	20	26	NO
001C-05	5/16	7.9	22	28	NO
001C-06	3/8	9.5	25	28	NO
001C-08	1/2	12.7	28	28	NO
001C-10	5/8	15.9	32	31	NO
001C-12	3/4	19	36	38	NO
001C-16	1	25.4	44	475	NO
001C-20	1.1/4	31.8	54	56	NO
001C-24	1.1/2	38.1	616	66	NO
001C-32	2	50.8	754	73	NO
001C-40	2.1/2	63,5	884	80	NO
001C-48	3	76,2	1005	90	NO

0022

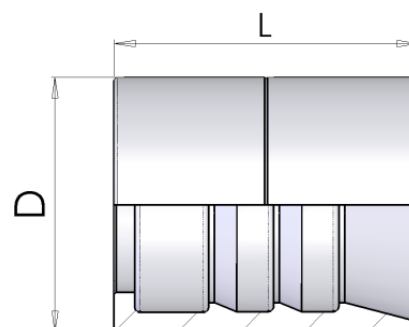
Swaged Ferrule (no skive)



Part number	Hose I.D.		Dimensions		Skive Length
			D	L	
	in	mm			
0022-03	3/16	4.8	21	253	NO
0022-04	1/4	6.4	22	28	NO
0022-05	5/16	7.9	24	28	NO
0022-06	3/8	9.5	26	28	NO
0022-08	1/2	12.7	30	31	NO
0022-10	5/8	15.9	34	31	NO
0022-12	3/4	19	38	385	NO
0022-16	1	25.4	47	48	NO
0022-20	1.1/4	31.8	58	56	NO
0022-24	1.1/2	38.1	66	66	NO
0022-32	2	50.8	79	73	NO

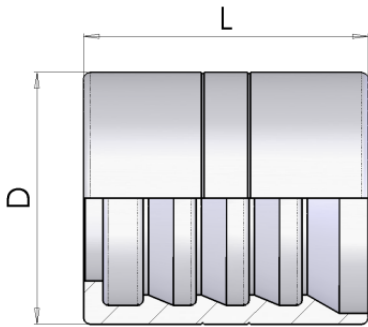
0001

Swaged Ferrule (skive)



Part number	Hose I.D.		Dimensions		Skive Length
	in	mm	D	L	
0001-03	3/16	4.8	175	27	20
0001-04	1/4	6.4	20	302	23
0001-05	5/16	7.9	22	307	23
0001-06	3/8	9.5	24	32	24
0001-08	1/2	12.7	285	34	25
0001-10	5/8	15.9	32	37	27
0001-12	3/4	19	36	43	31
0001-16	1	25.4	43	50	37
0001-20	1.1/4	31.8	52	57	46
0001-24	1.1/2	38.1	57	63	44
0001-32	2	50.8	706	78	60

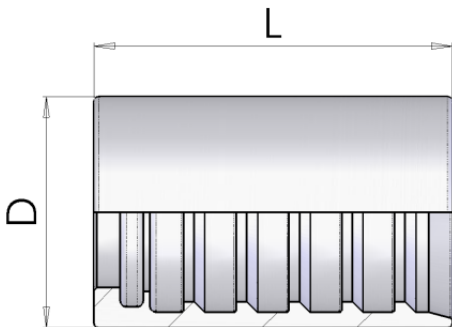
0002



Swaged Ferrule (skive)

Part number	Hose I.D.		Dimensions		Skive Length
			D	L	
	in	mm			
0002-03	3/16	4.8	20	27	21
0002-04	1/4	6.4	21	30	22
0002-05	5/16	7.9	24	30	22
0002-06	3/8	9.5	25.4	32	24
0002-08	1/2	12.7	30	34	25
0002-10	5/8	15.9	34	37	27
0002-12	3/4	19	38	43	31
0002-16	1	25.4	46	50	37
0002-20	1.1/4	31.8	56	59	43
0002-24	1.1/2	38.1	62	63	45
0002-32	2	50.8	75	79	61
0002-40	2.1/2	63.5	95	83.7	63
0002-48	3	76.2	105.6	94.3	78

003T

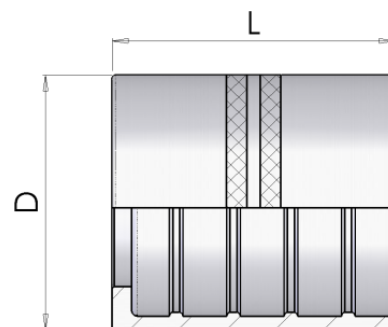


Swaged Ferrule (no skive)

Part number	Hose I.D.		Dimensions		Skive Length
			D	L	
	in	mm			
003T-08	1/2	12.7	31	325	NO
003T-10	5/8	15.9	34	34	NO

0003

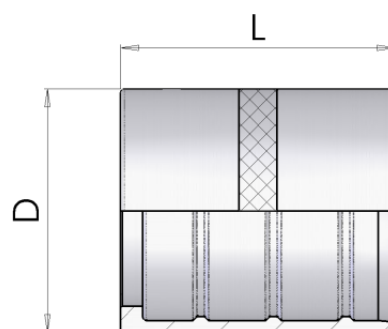
Swaged Ferrule (no skive)



Part number	Hose I.D.		Dimensions		Skive Length
	in	mm	D	L	
0003-03	3/16	4.8	14	27	NO
0003-04	1/4	6.4	19	29	NO
0003-05	5/16	7.9	22	30	NO
0003-06	3/8	9.5	24	31	NO
0003-08	1/2	12.7	28.5	34	NO
0003-10	5/8	15.9	32	36	NO
0003-12	3/4	19	38	42	NO
0003-16	1	25.4	46	50	NO
0003-20	1.1/4	31.8	52	57	NO

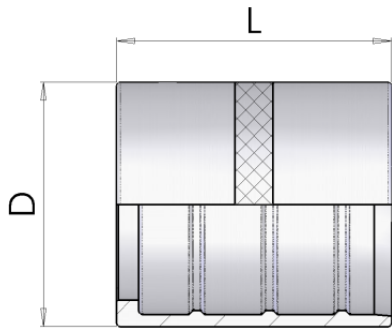
0007

Swaged Ferrule (no skive)



Part number	Hose I.D.		Dimensions		Skive Length
	in	mm	D	L	
0007-03	3/16	4.8	14	27	NO
0007-04	1/4	6.4	17	29	NO
0007-05	5/16	7.9	19	30	NO
0007-06	3/8	9.5	21	31	NO
0007-08	1/2	12.7	25.4	34	NO
0007-10	5/8	15.9	28.5	36	NO
0007-12	3/4	19	32	36	NO
0007-16	1	25.4	40	50	NO

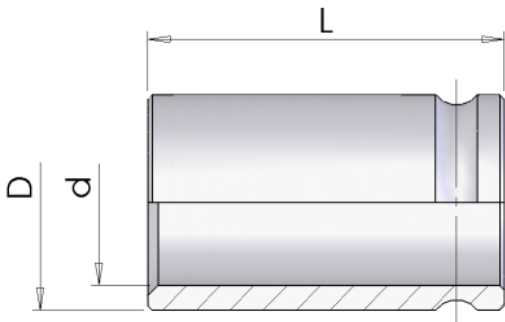
0008



Swaged Ferrule (no skive)

Part number	Hose I.D.		Dimensions		Skive Length
			D	L	
	in	mm			
0008-03	3/16	4.8	13	27	NO
0008-04	1/4	6.4	17	29	NO
0008-05	5/16	7.9	19	30	NO
0008-06	3/8	9.5	21	31	NO
0008-08	1/2	12.7	26	34	NO
0008-10	5/8	15.9	29	40	NO
0008-12	3/4	19	32	42	NO
0008-16	1	25.4	40	50	NO

PTFE



Ferrule for PTFE hose

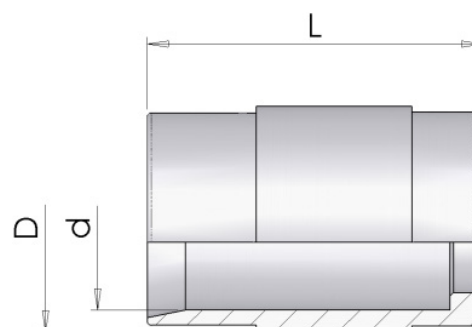
For PTFE hose type T1 - (with standard fittings)

Part number	Hose I.D.		Dimensions		Skive Length
			D	L	
	in	mm			
PTFE-03	3/16	4.8	127	22	NO
PTFE-04	1/4	6.4	144	239	NO
PTFE-05	5/16	7.9	171	246	NO
PTFE-06	3/8	9.5	19	274	NO
PTFE-08	1/2	12.7	224	287	NO
PTFE-10	5/8	15.9	27	317	NO
PTFE-12	3/4	19	287	345	NO
PTFE-16	1	25.4	381	436	NO

PTFE-C

Ferrule for PTFE hose

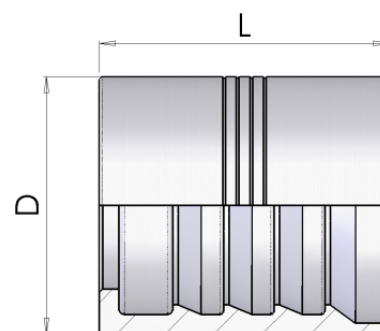
For PTFE hose type LTC - (with standard fittings)



Part number	Hose I.D.		Dimensions		Skive Lenght
			D	L	
	in	mm			
PTFE-04-C	1/4	6.4	178	265	NO
PTFE-06-C	3/8	9.5	20	305	NO
PTFE-08-C	1/2	12.7	24	332	NO
PTFE-10-C	5/8	15.9	292	348	NO
PTFE-12-C	3/4	19	311	409	NO
PTFE-16-C	1	25.4	385	47	NO

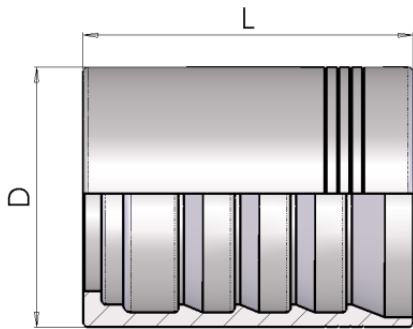
0009

Swaged Ferrule (skive)



Part number	Hose I.D.		Dimensions		Skive Lenght
			D	L	
	in	mm			
0009-04	1/4	6.4	21	30	22
0009-06	3/8	9.5	254	335	26
0009-08	1/2	12.7	30	36	28
0009-10	5/8	15.9	34	40	31
0009-12	3/4	19	38	43	34
0009-16	1	25.4	46	60	48
0009-20	1.1/4	31.8	56	66	54
0009-24	1.1/2	38.1	67	765	62
0009-32	2	50.8	80	798	64

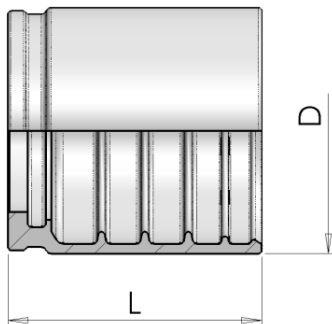
004H



Swaged Ferrule (skive)

Part number	Hose I.D.		Dimensions		Skive Length
			D	L	
	in	mm			
004H-20	1.1/4	31.8	52	66	55
004H-24	1.1/2	38.1	62	765	63
004H-32	2	50.8	75	798	65

BMC1

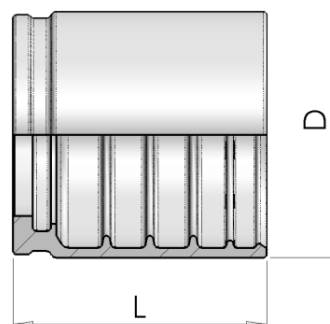


Swaged Ferrule (no skive)

Part number	Hose I.D.		Dimensions		Skive Length
			D	L	
	in	mm			
BMC1-12	3/4	19	45	41	NO
BMC1-16	1	25.4	535	56	NO
BMC1-20	1.1/4	31.8	62	62	NO

BMC2

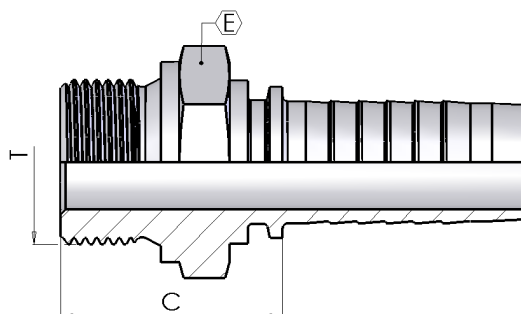
Swaged Ferrule (no skive)



Part number	Hose I.D.		Dimensions		Skive Length
			D	L	
	in	mm			
BMC2-20	1.1/4	31.8	66	62	NO
BMC2-24	1.1/2	38.1	73	70	NO

0345

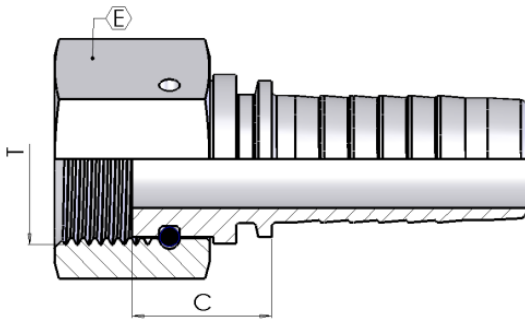
BSP Male - Flat Seat



Part number	Hose I.D.		Dimensions			
			dash size	Thread T	Cut-Off C	Hex E
	in	mm				
0345-03-02	3/16	4.8	03	1/8-28	21	14
0345-04-04	1/4	6.4	04	1/4-19	27	19
0345-04-06	1/4	6.4	04	3/8-19	28	22
0345-05-06	5/16	7.9	05	3/8-19	28	22
0345-06-06	3/8	9.5	06	3/8-19	29	22
0345-06-08	3/8	9.5	06	1/2-14	32	27
0345-08-08	1/2	12.7	08	1/2-14	33	27
0345-08-10	1/2	12.7	08	5/8-14	35	30
0345-08-12	1/2	12.7	08	3/4-14	35	32
0345-10-10	5/8	15.9	10	5/8-14	35	30
0345-10-12	5/8	15.9	10	3/4-14	35	32
0345-12-12	3/4	19	12	3/4-14	36	32
0345-12-16	3/4	19	12	1-11	39	41
0345-16-16	1	25.4	16	1-11	40	41

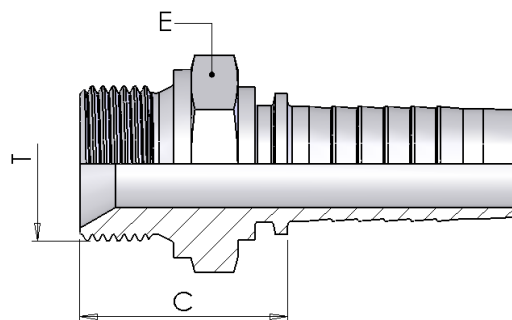
0060

BSP Female Flat Seal



Part number	Hose I.D.		Dimensions			
			dash	Thread	Cut-Off	Hex
	in	mm	size	T	C	E
0060-04-04	1/4	6.4	04	1/4-19	14	19
0060-04-06	1/4	6.4	04	3/8-19	15	22
0060-05-04	5/16	7.9	05	1/4-19	14	19
0060-05-06	5/16	7.9	05	3/8-19	15	22
0060-05-08	5/16	7.9	05	1/2-14	17	27
0060-06-06	3/8	9.5	06	3/8-19	15	22
0060-06-08	3/8	9.5	06	1/2-14	16	27
0060-08-08	1/2	12.7	08	1/2-14	16	27
0060-08-10	1/2	12.7	08	5/8-14	16	30
0060-08-12	1/2	12.7	08	3/4-14	23	32
0060-10-10	5/8	15.9	10	5/8-14	16	30
0060-10-12	5/8	15.9	10	3/4-14	20	32
0060-12-12	3/4	19	12	3/4-14	21	32
0060-12-16	3/4	19	12	1-11	23	38
0060-16-16	1	25.4	16	1-11	22	38
0060-24-24	1.1/2	38.1	24	1.1/2-11	27	55

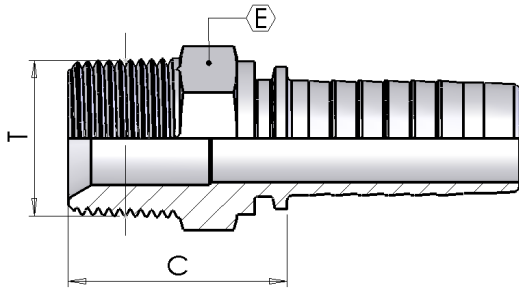
BSP Male Parallel 60° cone



Part number	Hose I.D.		Dimensions			
			dash	Thread	Cut-Off	Hex
	in	mm	size	T	C	E
0350-03-02	3/16	4.8	03	1/8-28	21	14
0350-03-04	3/16	4.8	03	1/4-19	26	19
0350-04-02	1/4	6.4	04	1/8-28	21	14
0350-04-04	1/4	6.4	04	1/4-19	27	19
0350-04-06	1/4	6.4	04	3/8-19	28	22
0350-04-08	1/4	6.4	04	1/2-14	35	27
0350-05-04	5/16	7.9	05	1/4-19	27	19
0350-05-06	5/16	7.9	05	3/8-19	28	22
0350-05-08	5/16	7.9	05	1/2-14	32	27
0350-06-04	3/8	9.5	06	1/4-19	27	19
0350-06-06	3/8	9.5	06	3/8-19	29	22
0350-06-08	3/8	9.5	06	1/2-14	32	27
0350-08-06	1/2	12.7	08	3/8-19	29	22
0350-08-08	1/2	12.7	08	1/2-14	33	27
0350-08-10	1/2	12.7	08	5/8-14	34	30
0350-08-12	1/2	12.7	08	3/4-14	35	32
0350-10-08	5/8	15.9	10	1/2-14	33	27
0350-10-10	5/8	15.9	10	5/8-14	35	30
0350-10-12	5/8	15.9	10	3/4-14	35	32
0350-12-12	3/4	19	12	3/4-14	36	32
0350-12-16	3/4	19	12	1-11	39	41
0350-16-16	1	25.4	16	1-11	40	41
0350-16-20	1	25.4	16	1.1/4-11	44	50
0350-20-16	1.1/4	31.8	20	1-11	41	41
0350-20-20	1.1/4	31.8	20	1.1/4-11	45	50
0350-20-24	1.1/4	31.8	20	1.1/2-11	46	55
0350-24-24	1.1/2	38.1	24	1.1/2-11	46	55
0350-24-32	1.1/2	38.1	24	2-11	54	70
0350-32-24	2	50.8	32	1.1/2-11	50	65
0350-32-32	2	50.8	32	2-11	54	70

0360

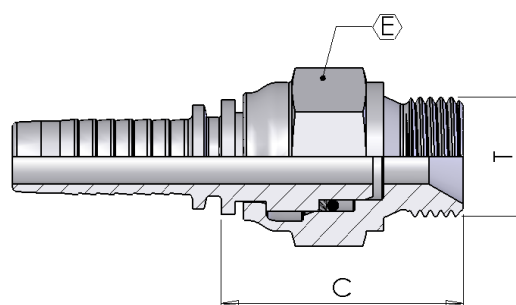
BSP Taper Male 60° cone



Part number	Hose I.D.		Dimensions			
			dash size	Thread T	Cut-Off C	Hex E
	in	mm				
0360-03-02	3/16	4.8	03	1/8-28	21	12
0360-03-04	3/16	4.8	03	1/4-19	27	15
0360-04-02	1/4	6.4	04	1/8-28	22	12
0360-04-04	1/4	6.4	04	1/4-19	28	15
0360-04-06	1/4	6.4	04	3/8-19	28	19
0360-05-04	5/16	7.9	05	1/4-19	28	15
0360-05-06	5/16	7.9	05	3/8-19	28	19
0360-06-04	3/8	9.5	06	1/4-19	28	17
0360-06-06	3/8	9.5	06	3/8-19	28	19
0360-06-08	3/8	9.5	06	1/2-14	33	22
0360-08-06	1/2	12.7	08	3/8-19	29	19
0360-08-08	1/2	12.7	08	1/2-14	34	22
0360-08-12	1/2	12.7	08	3/4-14	36	27
0360-10-08	5/8	15.9	10	1/2-14	34	22
0360-10-10	5/8	15.9	10	5/8-14	35	24
0360-10-12	5/8	15.9	10	3/4-14	36	27
0360-12-12	3/4	19	12	3/4-14	37	27
0360-12-16	3/4	19	12	1-11	43	36
0360-16-16	1	25.4	16	1-11	44	36
0360-16-20	1	25.4	16	1.1/4-11	46	46
0360-20-20	1.1/4	31.8	20	1.1/4-11	47	46
0360-20-24	1.1/4	31.8	20	1.1/2-11	49	50
0360-24-24	1.1/2	38.1	24	1.1/2-11	49	50
0360-24-32	1.1/2	38.1	24	2-11	55	65
0360-32-32	2	50.8	32	2-11	55	65

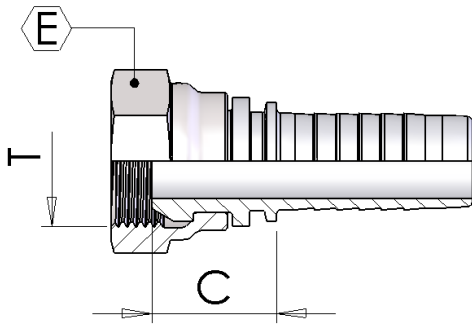
035G

BSP Male Parallel 60° Cone - Rotating



Part number	Hose I.D.		Dimensions			
			dash size	Thread T	Cut-Off C	Hex E
035G-04-04	1/4	6.4	04	1/4-19	37	19
035G-06-06	3/8	9.5	06	3/8-19	43	22
035G-08-08	1/2	12.7	08	1/2-14	47	27
035G-12-12	3/4	19	12	3/4-14	52	32

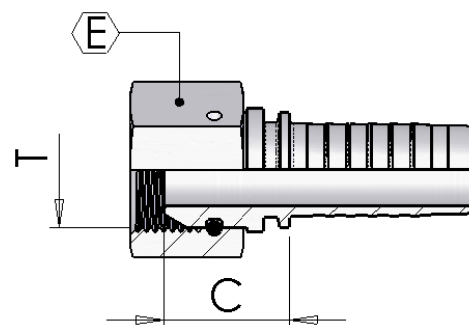
0051



BSP Female 60° Cone - Rolled Nut

Part number	Hose I.D.	Dimensions		
		dash size	Hex E	Cut-Off C
0051-03-02	3/16	03	14	15
0051-03-04	3/16	03	19	17
0051-04-02	1/4	04	14	15
0051-04-04	1/4	04	19	17
0051-04-06	1/4	04	22	19
0051-04-08	1/4	04	27	22
0051-05-04	5/16	05	19	17
0051-05-06	5/16	05	22	19
0051-05-08	5/16	05	27	22
0051-06-04	3/8	06	19	17
0051-06-06	3/8	06	22	19
0051-06-08	3/8	06	27	22
0051-08-06	1/2	08	22	20
0051-08-08	1/2	08	27	23
0051-08-10	1/2	08	30	20
0051-08-12	1/2	08	32	27
0051-10-08	5/8	10	27	23
0051-10-10	5/8	10	30	20
0051-10-12	5/8	10	32	25
0051-12-08	3/4	12	27	24
0051-12-12	3/4	12	32	25
0051-12-16	3/4	12	38	26
0051-16-12	1	16	32	27
0051-16-16	1	16	38	27

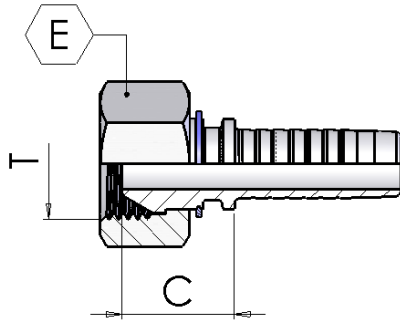
BSP Female 60° cone Thrust Wire



Part number	Hose I.D.	Dimensions		
		dash size	Hex E	Cut-Off C
0050-03-02	3/16	03	14	15
0050-03-04	3/16	03	19	17
0050-04-02	1/4	04	14	15
0050-04-04	1/4	04	19	17
0050-04-06	1/4	04	22	19
0050-04-08	1/4	04	27	22
0050-05-04	5/16	05	19	17
0050-05-06	5/16	05	22	19
0050-05-08	5/16	05	27	22
0050-06-04	3/8	06	19	17
0050-06-06	3/8	06	22	19
0050-06-08	3/8	06	27	22
0050-08-06	1/2	08	22	20
0050-08-08	1/2	08	27	23
0050-08-10	1/2	08	30	20
0050-08-12	1/2	08	32	27
0050-10-08	5/8	10	27	23
0050-10-10	5/8	10	30	20
0050-10-12	5/8	10	32	25
0050-12-08	3/4	12	27	24
0050-12-12	3/4	12	32	25
0050-12-16	3/4	12	38	26
0050-16-12	1	16	32	27
0050-16-16	1	16	38	27
0050-16-20	1	16	50	30
0050-20-20	1.1/4	20	50	32
0050-20-24	1.1/4	20	55	34
0050-24-24	1.1/2	24	55	34
0050-24-32	1.1/2	24	70	34
0050-32-32	2	32	70	31
0050-40-40	2.1/2	40	85	41
0050-48-48	3	48	100	45

0058

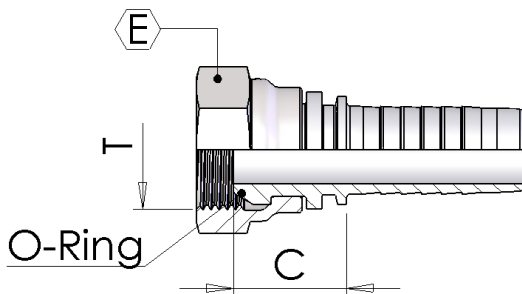
BSP Female 60° Cone Slip On Nut



Part number	Hose I.D.	Dimensions		
		dash size	Hex E	Cut-Off C
0058-04-04	1/4	04	19	21
0058-04-06	1/4	04	22	21
0058-05-06	5/16	05	22	21
0058-06-06	3/8	06	22	21
0058-06-08	3/8	06	27	23
0058-08-08	1/2	08	27	23

0041

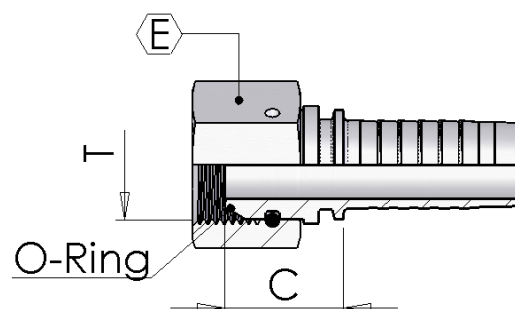
BSP O'Ring Female 60° Cone- Rolled Nut



Part number	Hose I.D.	Dimensions		
		dash size	Hex E	Cut-Off C
0041-04-04	1/4	04	19	17
0041-06-06	3/8	06	22	19
0041-08-08	1/2	08	27	21
0041-10-10	5/8	10	30	21
0041-12-12	3/4	12	32	26
0041-16-16	1	16	38	28

0040

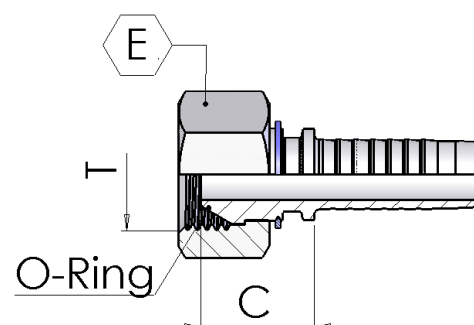
BSP O'Ring Female 60° Cone-Thrust wire Nut



Part number	Hose I.D.	Dimensions		
		dash size	Hex E	Cut-Off C
0040-10-10	5/8	10	30	21
0040-12-12	3/4	12	32	26
0040-16-16	1	16	38	28

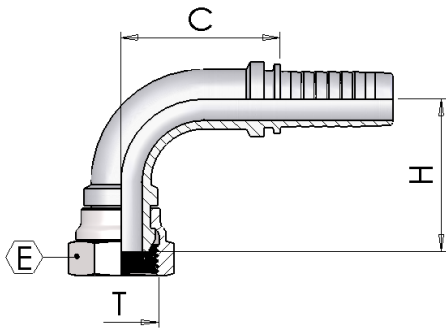
0048

BSP O'Ring Female 60° Cone - Slip on nut



Part number	Hose I.D.	Dimensions		
		dash size	Hex E	Cut-Off C
0048-04-04	1/4	04	19	22
0048-04-06	1/4	04	22	20
0048-05-06	5/16	05	22	20
0048-06-06	3/8	06	22	20
0048-06-08	3/8	06	27	23
0048-08-08	1/2	08	27	23

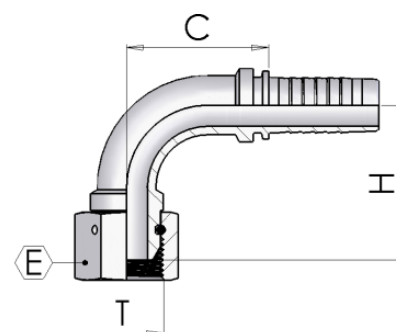
0151



BSP 90° Swept Elbow 60° Cone - Rolled Nut

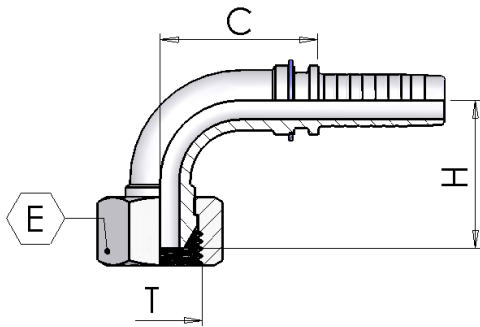
Part number	Hose I.D.	Dimensions				
		dash size	Thread T	C	Hex E	Drop H
0151-03-02	3/16	03	1/8-28	22	14	23
0151-03-04	3/16	03	1/4-19	22	19	25
0151-04-02	1/4	04	1/8-28	25	14	25
0151-04-04	1/4	04	1/4-19	25	19	27
0151-04-06	1/4	04	3/8-19	25	22	31
0151-05-04	5/16	05	1/4-19	31	19	31
0151-05-06	5/16	05	3/8-19	29	22	36
0151-06-04	3/8	06	1/4-19	31	19	33
0151-06-06	3/8	06	3/8-19	33	22	35
0151-06-08	3/8	06	1/2-14	31	27	40
0151-08-06	1/2	08	3/8-19	39	22	42
0151-08-08	1/2	08	1/2-14	39	27	41
0151-08-10	1/2	08	5/8-14	40	30	41
0151-08-12	1/2	08	3/4-14	41	32	46
0151-10-10	5/8	10	5/8-14	43	30	43
0151-10-12	5/8	10	3/4-14	45	32	50
0151-12-12	3/4	12	3/4-14	56	32	57
0151-12-16	3/4	12	1-11	56	38	60
0151-16-16	1	16	1-11	70	38	67

BSP 90° Swept Elbow 60° cone Thrust Wire



Part number	Hose I.D.		Dimensions				
			dash	Thread	Cut-Off	Hex	Drop
	in	mm	size	T	C	E	H
0150-03-02	3/16	4.8	03	1/8-28	22	14	23
0150-03-04	3/16	4.8	03	1/4-19	22	19	25
0150-04-02	1/4	6.4	04	1/8-28	25	14	25
0150-04-04	1/4	6.4	04	1/4-19	25	19	27
0150-04-06	1/4	6.4	04	3/8-19	25	22	31
0150-05-04	5/16	7.9	05	1/4-19	31	19	31
0150-05-06	5/16	7.9	05	3/8-19	29	22	36
0150-06-04	3/8	9.5	06	1/4-19	31	19	33
0150-06-06	3/8	9.5	06	3/8-19	33	22	35
0150-06-08	3/8	9.5	06	1/2-14	31	27	40
0150-08-06	1/2	12.7	08	3/8-19	39	22	42
0150-08-08	1/2	12.7	08	1/2-14	39	27	41
0150-08-10	1/2	12.7	08	5/8-14	40	30	41
0150-08-12	1/2	12.7	08	3/4-14	41	32	46
0150-10-10	5/8	15.9	10	5/8-14	44	30	43
0150-10-12	5/8	15.9	10	3/4-14	45	32	50
0150-12-12	3/4	19	12	3/4-14	56	32	57
0150-12-16	3/4	19	12	1-11	56	38	60
0150S16-12	1	25.4	16	3/4-14	57	32	68
0150-16-16	1	25.4	16	1-11	70	38	67
0150S16-20	1	25.4	16	1.1/4-11	62	50	72
0150-20-20	1.1/4	31.8	20	1.1/4-11	86	50	81
0150S20-24	1.1/4	31.8	20	1.1/2-11	81	55	89
0150-24-24	1.1/2	38.1	24	1.1/2-11	103	55	95
0150S24-32	1.1/2	38.1	24	2-11	102	70	113
0150-32-32	2	50.8	32	2-11	122	70	135

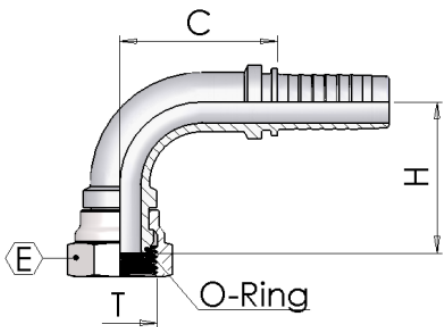
0158



BSP 90° Swept elbow 60° cone Slip On Nut

Part number	Hose I.D.	Dimensions				
		dash size	Thread T	C	Hex E	Drop H
0158-04-04	1/4	04	1/4-19	27	19	21
0158-04-06	1/4	04	3/8-19	27	22	24
0158-05-06	5/16	05	3/8-19	31	22	29
0158-06-06	3/8	06	3/8-19	33	22	29
0158-06-08	3/8	06	1/2-14	33	27	31
0158-08-08	1/2	08	1/2-14	42	27	35

0141

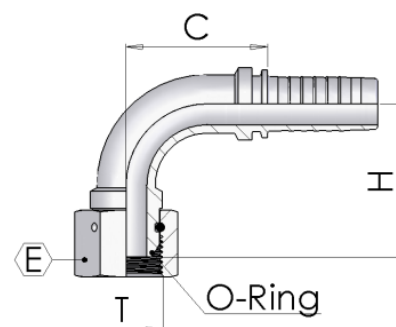


BSP O'Ring 90° Swept elbow 60° cone- Rolled Nut

Part number	Hose I.D.	Dimensions				
		dash size	Thread T	C	Hex E	Drop H
0141-04-04	1/4	04	1/4-19	25	19	27
0141-06-06	3/8	06	3/8-19	33	22	34
0141-08-08	1/2	08	1/2-14	41	27	40
0141-10-10	5/8	10	5/8-14	43	30	55
0141-12-12	3/4	12	3/4-14	56	32	54
0141-16-16	1	16	1-11	70	38	67

0140

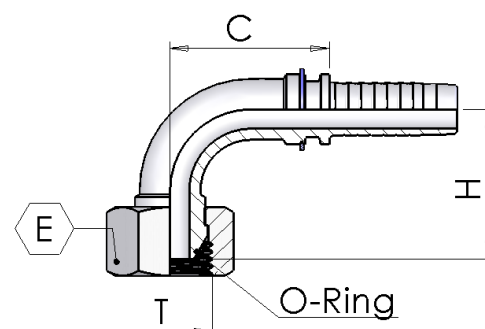
BSP O'Ring 90° Swept elbow 60° cone- Thrust Wire Nut



Part number	Hose I.D.	Dimensions				
		dash	Thread		Hex	Drop
	in	size	T	C	E	H
0140-10-10	5/8	10	5/8-14	44	30	43
0140-12-12	3/4	12	3/4-14	56	32	54
0140-16-16	1	16	1-11	70	38	67

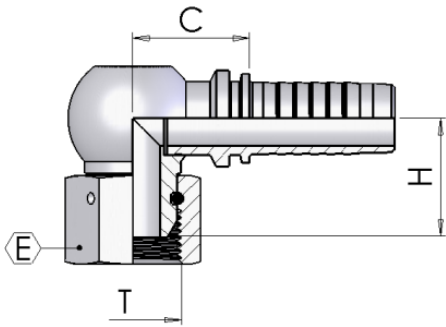
0148

BSP O'Ring 90° Swept elbow 60° cone- Slip on nut



Part number	Hose I.D.	Dimensions				
		dash	Thread		Hex	Drop
	in	size	T	C	E	H
0148-04-04	1/4	04	1/4-19	27	19	22
0148-04-06	1/4	04	3/8-19	27	22	23
0148-05-06	5/16	05	3/8-19	31	22	28
0148-06-06	3/8	06	3/8-19	33	22	28
0148-06-08	3/8	06	1/2-14	33	27	30
0148-08-08	1/2	08	1/2-14	42	27	35

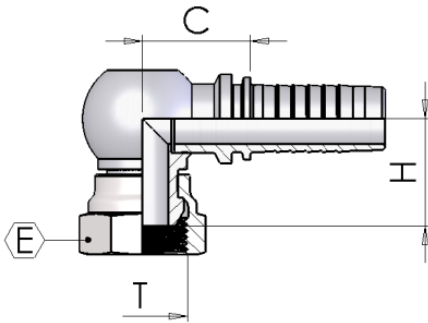
2300



BSP 90° Compact Elbow 60° Cone - Thrust wire - Welded

Part number	Hose I.D.	Dimensions				
		dash size	Thread T	C	Hex E	Drop H
2300-03-02	3/16	03	1/8-28	17	14	16
2300-10-10	5/8	10	5/8-14	28	30	27
2300-10-12	5/8	10	3/4-14	29	32	32
2300-20-20	1.1/4	20	1.1/4-11	47	50	46

2301

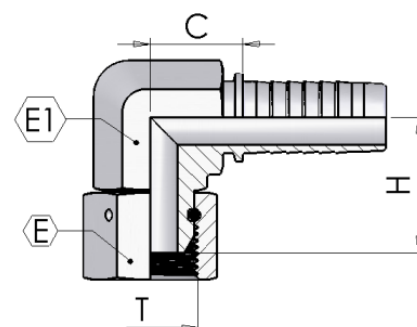


BSP 90° Compact Elbow 60° Cone - Rolled nut - Welded

Part number	Hose I.D.	Dimensions				
		dash size	Thread T	C	Hex E	Drop H
2301-03-02	3/16	03	1/8-28	17	14	16
2301-10-10	5/8	10	5/8-14	28	30	27
2301-10-12	5/8	10	3/4-14	29	32	32

2320

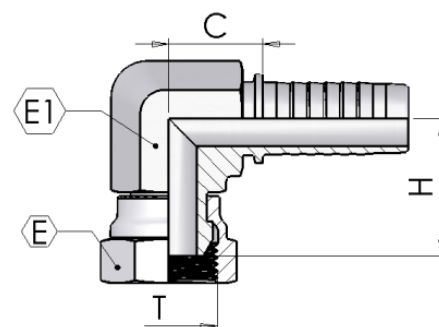
BSP 90° Compact Elbow 60° Cone - Thrust wire



Part number	Hose I.D.	Dimensions					
		dash size	Thread T	C	Hex E	E1	Drop H
2320-04-04	1/4	04	1/4-19	19	19	15	20
2320-04-06	1/4	04	3/8-19	24	22	17	29
2320-05-06	5/16	05	3/8-19	24	22	17	23
2320-06-06	3/8	06	3/8-19	23	22	17	23
2320-06-08	3/8	06	1/2-14	28	27	19	26
2320-08-08	1/2	08	1/2-14	26	27	22	27
2320-12-12	3/4	12	3/4-14	32	32	27	32
2320-16-16	1	16	1-11	38	38	32	36

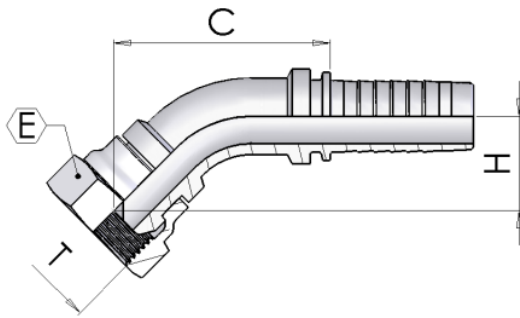
2321

BSP 90° Compact Elbow 60° Cone - Rolled nut



Part number	Hose I.D.	Dimensions					
		dash size	Thread T	C	Hex E	E1	Drop H
2321-04-04	1/4	04	1/4-19	19	19	15	20
2321-04-06	1/4	04	3/8-19	24	22	17	29
2321-05-06	5/16	05	3/8-19	24	22	17	23
2321-06-06	3/8	06	3/8-19	23	22	17	23
2321-06-08	3/8	06	1/2-14	28	27	19	26
2321-08-08	1/2	08	1/2-14	26	27	22	27
2321-12-12	3/4	12	3/4-14	32	32	27	32
2321-16-16	1	16	1-11	38	38	32	36

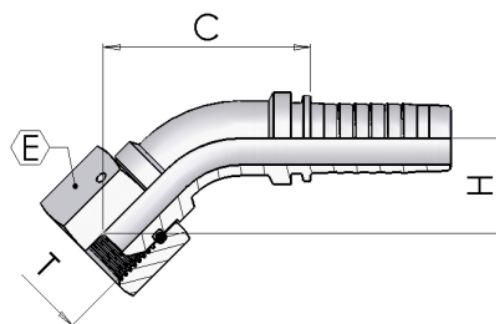
0251



BSP 45° Swept Elbow 60° Cone - Rolled nut

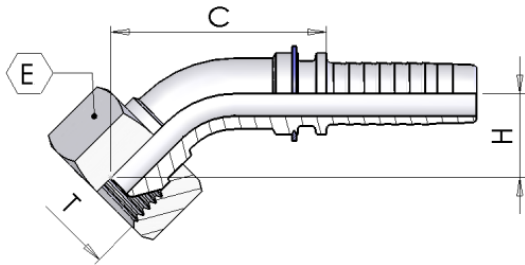
Part number	Hose I.D.	Dimensions				
		dash size	Thread T	C	Hex E	Drop H
0251-03-02	3/16	03	1/8-28	33	14	15
0251-03-04	3/16	03	1/4-19	35	19	15
0251-04-02	1/4	04	1/8-28	40	14	14
0251-04-04	1/4	04	1/4-19	41	19	15
0251-05-04	5/16	05	1/4-19	47	19	16
0251-05-06	5/16	05	3/8-19	51	22	19
0251-06-04	3/8	06	1/4-19	50	19	16
0251-06-06	3/8	06	3/8-19	52	22	19
0251-06-08	3/8	06	1/2-14	55	27	21
0251-08-06	1/2	08	3/8-19	63	22	22
0251-08-08	1/2	08	1/2-12	65	27	24
0251-08-10	1/2	08	5/8-14	64	30	21
0251-08-12	1/2	08	3/4-14	67	32	26
0251-10-08	5/8	10	1/2-14	68	27	24
0251-10-10	5/8	10	5/8-14	68	30	23
0251-10-12	5/8	10	3/4-14	72	32	27
0251-12-12	3/4	12	3/4-14	86	32	30
0251-12-16	3/4	12	1-11	88	38	32
0251-16-16	1	16	1-11	107	38	35

BSP 45° Swept Elbow 60° Cone - Thrust Wire Nut



Part number	Hose I.D.	Dimensions				
		dash	Thread		Hex	Drop
	in	size	T	C	E	H
0250-03-02	3/16	03	1/8-28	33	14	15
0250-03-04	3/16	03	1/4-19	35	19	15
0250-04-02	1/4	04	1/8-28	40	14	14
0250-04-04	1/4	04	1/4-19	41	19	15
0250-04-06	1/4	04	3/8-19	44	22	18
0250-05-04	5/16	05	1/4-19	47	19	16
0250-05-06	5/16	05	3/8-19	51	22	19
0250-06-04	3/8	06	1/4-19	50	19	16
0250-06-06	3/8	06	3/8-19	52	22	19
0250-06-08	3/8	06	1/2-14	55	27	21
0250-08-06	1/2	08	3/8-19	63	22	22
0250-08-08	1/2	08	1/2-14	65	27	24
0250-10-10	5/8	10	5/8-14	68	30	23
0250-10-12	5/8	10	3/4-14	72	32	27
0250-12-12	3/4	12	3/4-14	86	32	30
0250-12-16	3/4	12	1-11	88	38	32
0250-16-16	1	16	1-11	107	38	35
0250S16-20	1	16	1.1/4-11	70	50	33
0250-20-20	1.1/4	20	1.1/4-11	107	50	40
0250S20-24	1.1/4	20	1.1/2-11	91	55	41
0250-24-24	1.1/2	24	1.1/2-11	117	55	47
0250-32-32	2	32	2-11	142	70	65

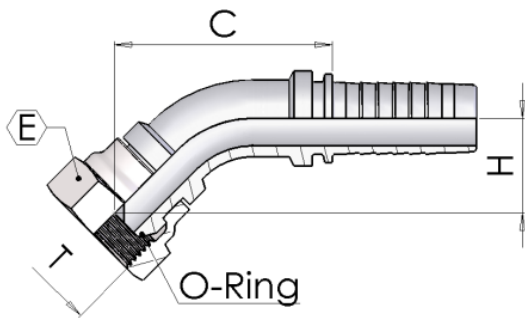
0258



BSP 45° Swept Elbow 60° Cone - Slipe on nut

Part number	Hose I.D.	Dimensions				
		dash size	Thread T	C	Hex E	Drop H
0258-04-04	1/4	04	1/4-19	41	19	15
0258-04-06	1/4	04	3/8-19	41	22	16
0258-05-06	5/16	05	3/8-19	45	22	17
0258-06-06	3/8	06	3/8-19	47	22	17
0258-06-08	3/8	06	1/2-14	47	27	18
0258-08-08	1/2	08	1/2-14	61	27	19

0241

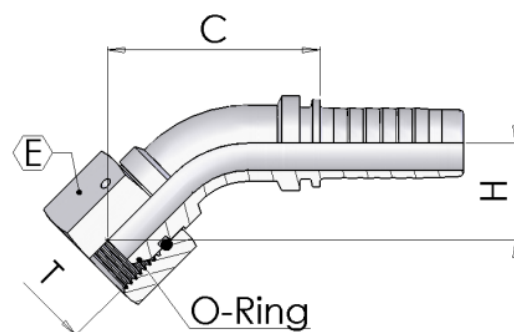


BSP O'Ring 45° Swept Elbow 60° Cone - Rolled nut

Part number	Hose I.D.	Dimensions				
		dash size	Thread T	C	Hex E	Drop H
0241-04-04	1/4	04	1/4-19	41	19	15
0241-06-06	3/8	06	3/8-19	52	22	21
0241-08-08	1/2	08	1/2-14	63	27	22
0241-10-10	5/8	10	5/8-14	68	30	23
0241-12-12	3/4	12	3/4-14	88	32	28
0241-16-16	1	16	1-11	83	38	32

0240

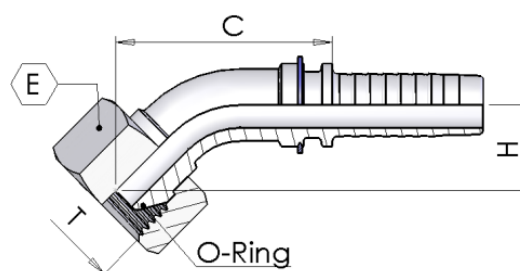
BSP O'Ring 45° Swept Elbow 60° Cone - Thrust Wire Nut



Part number	Hose I.D.	Dimensions				
		dash	Thread		Hex	Drop
	in	size	T	C	E	H
0240-10-10	5/8	10	5/8-14	68	30	23
0240-12-12	3/4	12	3/4-14	88	32	28
0240-16-16	1	16	1-11	83	38	32

0248

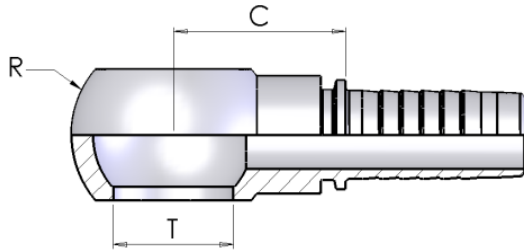
BSP O'Ring 45° Swept Elbow 60° Cone - Slip on nut



Part number	Hose I.D.	Dimensions				
		dash	Thread		Hex	Drop
	in	size	T	C	E	H
0248-04-04	1/4	04	1/4-19	41	19	15
0248-04-06	1/4	04	3/8-19	41	22	15
0248-05-06	5/16	05	3/8-19	45	22	15
0248-06-06	3/8	06	3/8-19	47	22	15
0248-06-08	3/8	06	1/2-14	47	27	17
0248-08-08	1/2	08	1/2-14	61	27	19

1400

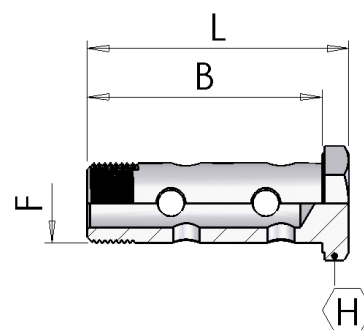
BSP Banjo



Part number	Hose I.D.		Dimensions			
			dash		Cut-Off	
	in	mm	size	mm	C	R
1400-03-02	3/16	4.8	03	10.2	19	17
1400-03-04	3/16	4.8	03	13.3	26	24
1400-04-02	1/4	6.4	04	10.2	25	17
1400-04-04	1/4	6.4	04	13.3	26	24
1400-04-06	1/4	6.4	04	17	26	28
1400-05-04	5/16	7.9	05	13.3	26	24
1400-05-06	5/16	7.9	05	17	26	28
1400-06-04	3/8	9.5	06	13.3	26	24
1400-06-06	3/8	9.5	06	17	26	28
1400-06-08	3/8	9.5	06	21.2	31	36
1400-08-06	1/2	12.7	08	17	27	28
1400-08-08	1/2	12.7	08	21.2	31	36
1400-08-10	1/2	12.7	08	23.1	29	38
1400-08-12	1/2	12.7	08	26.5	38	45
1400-10-10	5/8	15.9	10	23.1	29	39
1400-10-12	5/8	15.9	10	26.5	38	45
1400-12-12	3/4	19	12	26.5	38	45
1400-12-16	3/4	19	12	33.5	49	58
1400-16-16	1	25.4	16	33.5	50	58

1600

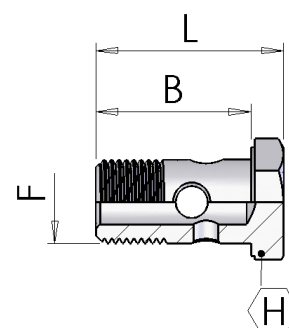
Double BSP Perfored Bolt



Part number	Dimensions			
	B	F	L	Drop H
1600-04-04	43	1/4-19	49	19
1600-06-06	49	3/8-19	57	22
1600-08-08	62	1/2-14	70	27
1600-12-12	78	3/4-14	87	32
1600-16-16	98	1-11	109	41

1600-00

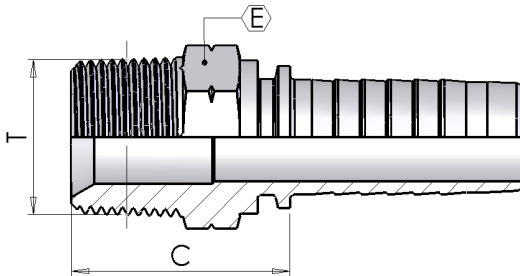
BSP Perfored Bolt



Part number	Dimensions			
	B	F	L	Drop H
1600-00-02	19	1/8-28	24	14
1600-00-04	29	1/4-19	34	19
1600-00-06	33	3/8-19	41	22
1600-00-08	38	1/2-14	46	27
1600-00-10	44	5/8-14	54	30
1600-00-12	47	3/4-14	56	32
1600-00-16	58	1-11	69	41

0370

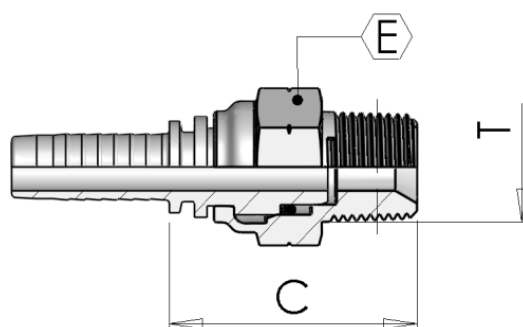
NPTF Male 60° cone



Part number	Hose I.D.		Dimensions			
			dash	Thread	Cut-Off	Hex
	in	mm	size	T	C	E
0370-03-02	3/16	4.8	03	1/8-27	22	12
0370-03-04	3/16	4.8	03	1/4-18	27	15
0370-04-02	1/4	6.4	04	1/8-27	22	12
0370-04-04	1/4	6.4	04	1/4-18	28	15
0370-04-06	1/4	6.4	04	3/8-18	28	19
0370-05-04	5/16	7.9	05	1/4-18	28	15
0370-05-06	5/16	7.9	05	3/8-18	28	19
0370-05-08	5/16	7.9	05	1/2-14	34	22
0370-06-04	3/8	9.5	06	1/4-18	28	17
0370-06-06	3/8	9.5	06	3/8-18	28	19
0370-06-08	3/8	9.5	06	1/2-14	34	22
0370-08-06	1/2	12.7	08	3/8-18	29	19
0370-08-08	1/2	12.7	08	1/2-14	35	22
0370-08-12	1/2	12.7	08	3/4-14	36	27
0370-10-08	5/8	15.9	10	1/2-14	35	24
0370-10-12	5/8	15.9	10	3/4-14	36	27
0370-12-08	3/4	19	12	1/2-14	36	24
0370-12-12	3/4	19	12	3/4-14	37	27
0370-12-16	3/4	19	12	1-11.1/2	43	36
0370-16-16	1	25.4	16	1-11.1/2	44	36
0370-16-20	1	25.4	16	1.1/4-11.1/2	46	46
0370-20-16	1.1/4	31.8	20	1-11.1/2	45	41
0370-20-20	1.1/4	31.8	20	1.1/4-11.1/2	47	46
0370-24-24	1.1/2	38.1	24	1.1/2-11.1/2	49	50
0370-32-32	2	50.8	32	2-11.1/2	55	65
0370-40-40	2.1/2	63,5	40	2.1/2-8	55	80
0370-48-48	3	76,2	48	3-8	58	90

037G

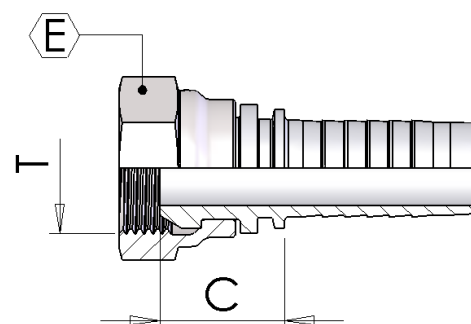
NPTF Male Parallel 60° Cone - Rotating



Part number	Hose I.D.		Dimensions			
			dash	Thread	Cut-Off	Hex
	in	mm	size	T	C	E
037G-04-04	1/4	6.4	04	1/4-18	39	19
037G-06-06	3/8	9.5	06	3/8-18	43	22
037G-08-08	1/2	12.7	08	1/2-14	49	27
037G-12-12	3/4	19	12	3/4-14	52	32

N051

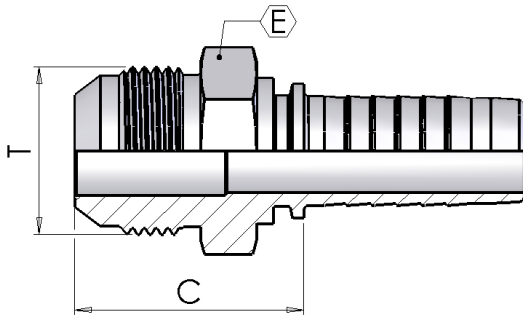
NPSM Female 60° Cone Rolled Nut



Part number	Hose I.D.		Dimensions			
			dash	Thread	Cut-Off	Hex
	in	mm	size	T	C	E
N051-03-04	3/16	4.8	03	1/4-18	17	19
N051-04-04	1/4	6.4	04	1/4-18	17	19
N051-06-06	3/8	9.5	06	3/8-18	19	22
N051-08-08	1/2	12.7	08	1/2-14	23	27

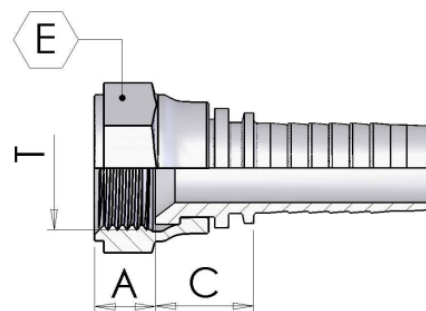
0850

JIC Male 74° cone



Part number	Hose I.D.		Dimensions			
			dash	Thread	Cut-Off	Hex
	in	mm	size	T	C	E
0850-03-04	3/16	4.8	03	7/16-20	26	12
0850-04-04	1/4	6.4	04	7/16-20	27	12
0850-04-05	1/4	6.4	04	1/2-20	27	14
0850-04-06	1/4	6.4	04	9/16-18	27	15
0850-05-05	5/16	7.9	05	1/2-20	27	14
0850-05-06	5/16	7.9	05	9/16-18	27	15
0850-05-08	5/16	7.9	05	3/4-16	30	19
0850-06-06	3/8	9.5	06	9/16-18	27	15
0850-06-07	3/8	9.5	06	5/8-18	30	17
0850-06-08	3/8	9.5	06	3/4-16	30	19
0850-06-10	3/8	9.5	06	7/8-14	34	24
0850-08-06	1/2	12.7	08	9/16-18	28	19
0850-08-08	1/2	12.7	08	3/4-16	31	19
0850-08-10	1/2	12.7	08	7/8-14	35	24
0850-08-12	1/2	12.7	08	1.1/16-12	37	27
0850-10-10	5/8	15.9	10	7/8-14	35	24
0850-10-12	5/8	15.9	10	1.1/16-12	37	27
0850-12-10	3/4	19	12	7/8-14	36	24
0850-12-12	3/4	19	12	1.1/16-12	38	27
0850-12-14	3/4	19	12	1.3/16-12	41	32
0850-12-16	3/4	19	12	1.5/16-12	42	34
0850-12-20	3/4	19	12	1.5/8-12	45	42
0850-16-12	1	25.4	16	1.1/16-12	39	27
0850-16-14	1	25.4	16	1.3/16-12	42	32
0850-16-16	1	25.4	16	1.5/16-12	43	34
0850-16-20	1	25.4	16	1.5/8-12	46	42
0850-20-20	1.1/4	31.8	20	1.5/8-12	47	42
0850-20-24	1.1/4	31.8	20	1.7/8-12	52	50
0850-24-24	1.1/2	38.1	24	1.7/8-12	52	50
0850-32-32	2	50.8	32	2.1/2-12	62	65

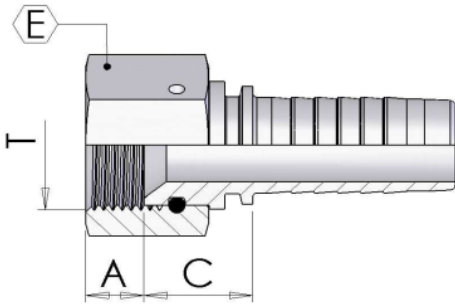
JIC Female 74° cone - Rolled Nut



Part number	Hose I.D.		Dimensions				
			dash	Thread	Cut-Off		Hex
	in	mm	size	T	C	A	E
0901-03-04	3/16	4.8	03	7/16-20	14	8.5	15
0901-03-05	3/16	4.8	03	1/2-20	14	9.5	17
0901-04-04	1/4	6.4	04	7/16-20	14	8.5	15
0901-04-05	1/4	6.4	04	1/2-20	15	9.5	17
0901-04-06	1/4	6.4	04	9/16-18	16	9	19
0901-04-07	1/4	6.4	04	5/8-18	17	11	22
0901-05-05	5/16	7.9	05	1/2-20	17	9.5	17
0901-05-06	5/16	7.9	05	9/16-18	16	9	19
0901-05-07	5/16	7.9	05	5/8-18	17	11	22
0901-05-08	5/16	7.9	05	3/4-16	17	10.5	24
0901-06-04	3/8	9.5	06	7/16-20	15	9	15
0901-06-05	3/8	9.5	06	1/2-20	15	9.5	17
0901-06-06	3/8	9.5	06	9/16-18	16	9	19
0901-06-07	3/8	9.5	06	5/8-18	16	11	22
0901-06-08	3/8	9.5	06	3/4-16	17	10.5	24
0901-06-10	3/8	9.5	06	7/8-14	21	13	27
0901-08-08	1/2	12.7	08	3/4-16	18	10.5	24
0901-08-10	1/2	12.7	08	7/8-14	19	13	27
0901-08-12	1/2	12.7	08	1.1/16-12	24	13.5	32
0901-10-10	5/8	15.9	10	7/8-14	19	13	27
0901-10-12	5/8	15.9	10	1.1/16-12	21	13.5	32
0901-12-10	3/4	19	12	7/8-14	20	13	27
0901-12-12	3/4	19	12	1.1/16-12	22	13.5	32
0901-12-14	3/4	19	12	1.3/16-12	23	14	36
0901-12-16	3/4	19	12	1.5/16-12	23	15.5	38
0901-16-12	1	25.4	16	1.1/16-12	23	13.5	32
0901-16-16	1	25.4	16	1.5/16-12	24	15.5	38

0900

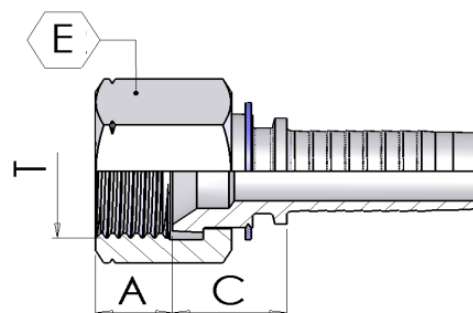
JIC Female 74° - Thrust Wire Nut



Part number	Hose I.D.		Dimensions				
			dash	Thread	Cut-Off		Hex
	in	mm	size	T	C	A	E
0900-03-04	3/16	4.8	03	7/16-20	14	8.5	17
0900-04-04	1/4	6.4	04	7/16-20	14	8.5	17
0900-04-05	1/4	6.4	04	1/2-20	15	9.5	17
0900-04-06	1/4	6.4	04	9/16-18	16	9	19
0900-05-05	5/16	7.9	05	1/2-20	17	11	17
0900-05-06	5/16	7.9	05	9/16-18	16	9	19
0900-06-05	3/8	9.5	06	1/2-20	15	9.5	17
0900-06-06	3/8	9.5	06	9/16-18	16	9	19
0900-06-07	3/8	9.5	06	5/8-18	16	11	22
0900-06-08	3/8	9.5	06	3/4-16	17	10.5	24
0900-06-10	3/8	9.5	06	7/8-14	21	13	27
0900-08-08	1/2	12.7	08	3/4-16	18	10.5	24
0900-08-10	1/2	12.7	08	7/8-14	19	13	27
0900-08-12	1/2	12.7	08	1.1/16-12	21	13.5	32
0900-10-10	5/8	15.9	10	7/8-14	19	13	27
0900-10-12	5/8	15.9	10	1.1/16-12	21	13.5	32
0900-12-10	3/4	19	12	7/8-14	20	13	27
0900-12-12	3/4	19	12	1.1/16-12	22	13.5	32
0900-12-14	3/4	19	12	1.3/16-12	23	14	36
0900-12-16	3/4	19	12	1.5/16-12	23	15.5	41
0900-16-12	1	25.4	16	1.1/16-12	23	13.5	32
0900-16-14	1	25.4	16	1.3/16-12	24	14	36
0900-16-16	1	25.4	16	1.5/16-12	24	15.5	41
0900-16-20	1	25.4	16	1.5/8-12	27	16.5	50
0900-20-20	1.1/4	31.8	20	1.5/8-12	28	16.5	50
0900-20-24	1.1/4	31.8	20	1.7/8-12	31	19	55
0900-24-24	1.1/2	38.1	24	1.7/8-12	31	19	55
0900-32-32	2	50.8	32	2.1/2-12	31	20	70

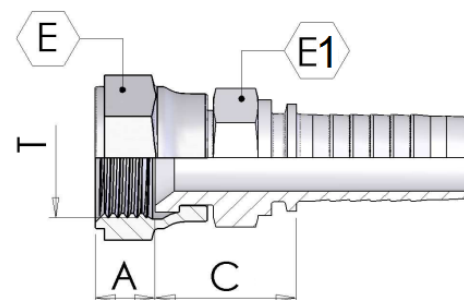
0902

JIC Female 74° - Slip on nut



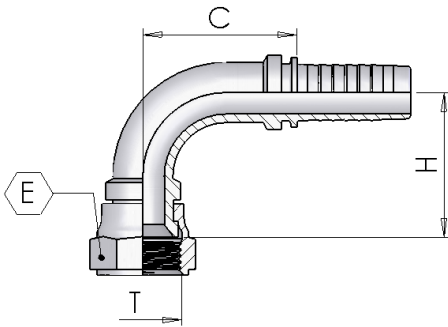
Part number	Hose I.D.		Dimensions				
			dash	Thread	Cut-Off		Hex
	in	mm	size	T	C	A	E
0902-04-05	1/4	6.4	04	1/2-20	17	9.5	17
0902-04-06	1/4	6.4	04	9/16-18	17	9	19
0902-05-06	5/16	7.9	05	9/16-18	16	9	19
0902-06-08	3/8	9.5	06	3/4-16	18	10.5	22
0902-08-10	1/2	12.7	08	7/8-14	20	13	27
0902-10-12	5/8	15.9	10	1.1/16-12	20	13.5	32
0902-12-16	3/4	19	12	1.5/16-12	21	15.5	38

0901D



Part number	Hose I.D.		Dimensions				
			dash	Thread			Hex
	in	size	T	A	C	E	E1
0901D04-04	1/4	04	7/16-20	8.5	20	15	12
0901D04-05	1/4	04	1/2-20	9.5	20	17	14
0901D04-06	1/4	04	9/16-18	9	22	19	14
0901D05-06	5/16	05	9/16-18	9	22	19	15
0901D06-06	3/8	06	9/16-18	9	24	19	17
0901D06-08	3/8	06	3/4-16	10.5	26	24	19
0901D08-08	1/2	08	3/4-16	10.5	26	24	22
0901D08-10	1/2	08	7/8-14	13	27	27	22
0901D10-10	5/8	10	7/8-14	13	26	27	22
0901D10-12	5/8	10	1.1/16-12	13.5	27	32	27
0901D12-12	3/4	12	1.1/16-12	13.5	32	32	27
0901D16-16	1	16	1.5/16-12	15.5	33	38	36

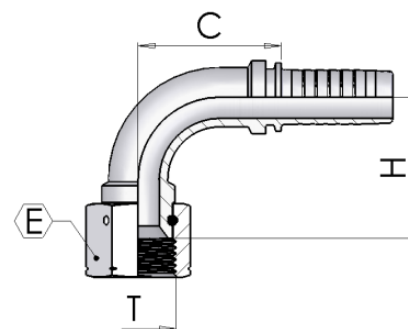
0951



JIC 90° Swept Elbow 74° cone - Rolled Nut

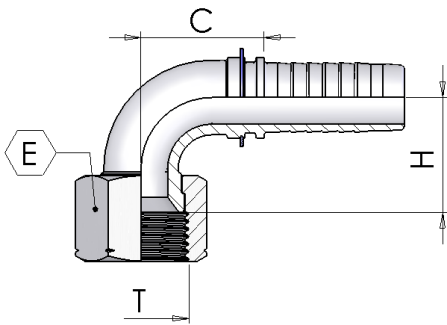
Part number	Hose I.D.	Dimensions				
		dash size	Thread T	C	Hex E	Drop H
0951-03-04	3/16	03	7/16-20	22	15	22
0951-03-05	3/16	03	1/2-20	22	17	22
0951-04-04	1/4	04	7/16-20	25	15	24
0951-04-05	1/4	04	1/2-20	25	17	25
0951-04-06	1/4	04	9/16-18	25	19	27
0951-05-05	5/16	05	1/2-20	29	17	30
0951-05-06	5/16	05	9/16-18	29	19	31
0951-06-05	3/8	06	1/2-20	33	17	30
0951-06-06	3/8	06	9/16-18	31	19	32
0951-06-07	3/8	06	5/8-18	33	22	32
0951-06-08	3/8	06	3/4-16	33	24	34
0951-06-10	3/8	06	7/8-14	33	27	36
0951-08-08	1/2	08	3/4-16	41	24	41
0951-08-10	1/2	08	7/8-14	41	27	40
0951-08-12	1/2	08	1.1/16-12	42	32	43
0951-10-10	5/8	10	7/8-14	43	27	44
0951-10-12	5/8	10	1.1/16-12	45	32	47
0951-12-10	3/4	12	7/8-14	56	27	53
0951-12-12	3/4	12	1.1/16-12	56	32	54
0951-12-14	3/4	12	1.3/16-12	57	36	53
0951-12-16	3/4	12	1.5/16-12	55	38	56
0951-16-12	1	16	1.1/16-12	70	32	63
0951-16-16	1	16	1.5/16-12	70	38	65

JIC 90° Swept Elbow 74° cone - Thrust Wire Nut



Part number	Hose I.D.	Dimensions				
		dash size	Thread T		Hex E	Drop H
	in			C		
0950-03-04	3/16	03	7/16-20	22	17	22
0950-04-04	1/4	04	7/16-20	25	17	24
0950-04-05	1/4	04	1/2-20	25	17	25
0950-04-06	1/4	04	9/16-18	25	19	27
0950-05-06	5/8	05	9/16-18	29	19	31
0950-05-08	5/8	05	3/4-16	29	24	41
0950-06-05	3/8	06	1/2-20	33	17	30
0950-06-06	3/8	06	9/16-18	31	19	32
0950-06-10	3/8	06	7/8-14	33	27	36
0950-08-08	1/2	08	3/4-16	41	24	41
0950-08-10	1/2	08	7/8-14	41	27	40
0950-08-12	1/2	08	1.1/16-12	39	32	43
0950-10-10	5/8	10	7/8-14	43	27	44
0950-10-12	5/8	10	1.1/16-12	45	32	47
0950-12-10	3/4	12	7/8-14	56	27	53
0950-12-12	3/4	12	1.1/16-12	56	32	54
0950-12-14	3/4	12	1.3/16-12	57	36	53
0950-12-16	3/4	12	1.5/16-12	55	41	56
0950-16-12	1	16	1.1/16-12	70	32	63
0950S16-14	1	16	1.3/16-12	62	36	69
0950-16-16	1	16	1.5/16-12	70	41	65
0950S16-20	1	16	1.5/8-12	62	50	69
0950-20-20	1.1/4	20	1.5/8-12	87	50	83
0950S20-24	1.1/4	24	1.7/8-12	81	55	88
0950-24-24	1.1/2	24	1.7/8-12	102	55	97
0950-32-32	2	32	2.1/2-12	124	70	134

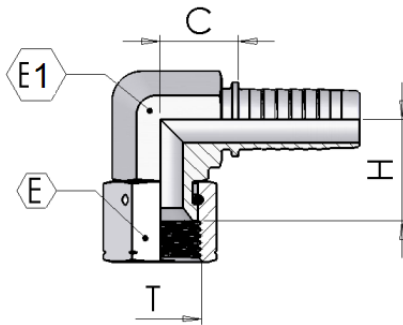
0952



JIC 90° Swept Elbow 74° cone - Slip on nut

Part number	Hose I.D.	Dimensions				
		dash size	Thread T	C	Hex E	Drop H
0952-04-05	1/4	04	1/2-20	27	17	21
0952-04-06	1/4	04	9/16-18	26	19	21
0952-05-06	5/8	05	9/16-18	25	19	32
0952-06-08	3/8	06	3/4-16	35	22	26
0952-08-10	1/2	08	7/8-14	42	27	34
0952-10-12	5/8	10	1.1/16-12	47	32	37
0952-12-12	3/4	12	1.1/16-12	58	32	45
0952-12-16	3/4	12	1.5/16-12	56	38	57

2970

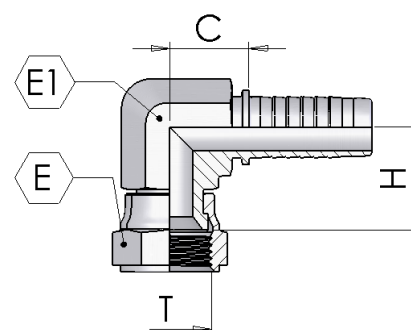


JIC 90° Compact Elbow 74° cone - Thrust Wire Nut

Part number	Hose I.D.	Dimensions					
		dash size	Thread T	C	Hex E	E1	Drop H
2970-04-04	1/4	04	7/16-20	19	17	15	17
2970-04-05	1/4	04	1/2-20	19	17	15	18
2970-04-06	1/4	04	9/16-18	19	19	15	19
2970-05-06	5/16	05	9/16-18	20	19	17	20
2970-06-06	3/8	06	9/16-18	23	19	17	20
2970-06-07	3/8	06	5/8-18	23	22	17	21
2970-06-08	3/8	06	3/4-16	24	24	22	22
2970-08-08	1/2	08	3/4-16	26	24	22	23
2970-08-10	1/2	08	7/8-14	26	27	22	24
2970-12-12	3/4	12	1.1/16-12	32	32	27	29
2970-16-16	1	16	1.5/16-12	38	41	32	34

2971

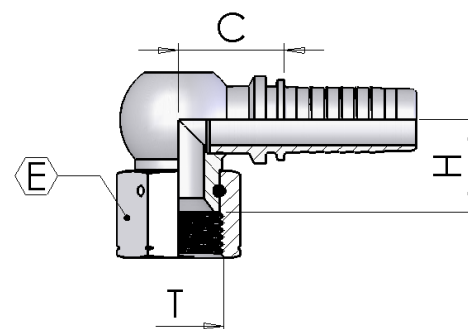
JIC 90° Compact Elbow 74° cone - Crimped Nut



Part number	Hose I.D.	Dimensions					
		dash size	Thread T	C	Hex E	E1	Drop H
2971-04-04	1/4	04	7/16-20	19	15	15	17
2971-04-05	1/4	04	1/2-20	19	17	15	18
2971-04-06	1/4	04	9/16-18	19	19	15	19
2971-05-06	5/16	05	9/16-18	20	19	17	20
2971-06-06	3/8	06	9/16-18	23	19	17	20
2971-06-08	3/8	06	3/4-16	24	24	22	22

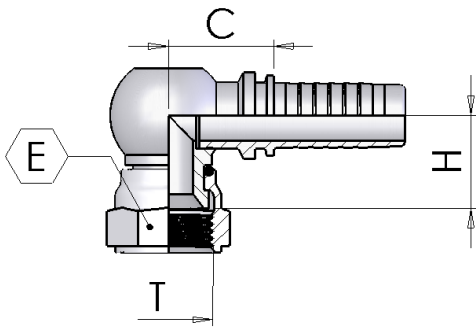
2950

JIC 90° Compact Elbow 74° cone - Thrust Wire Nut - Welded



Part number	Hose I.D.	Dimensions				
		dash size	Thread T	C	Hex E	Drop H
2950-10-10	5/8	10	7/8-14	28	27	26
2950-10-12	5/8	10	1.1/16-12	29	32	28

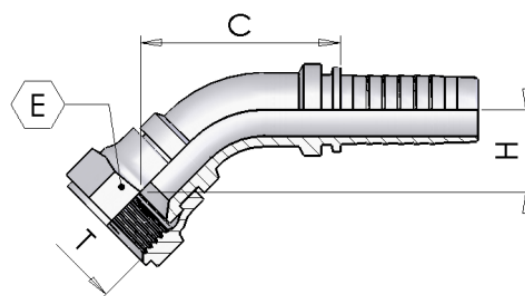
2951



JIC 90° Compact Elbow 74° cone - Rolled Nut - Welded

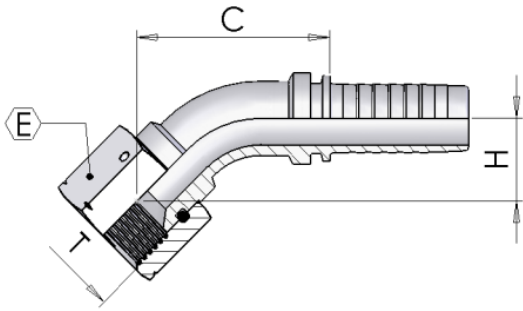
Part number	Hose I.D.	Dimensions				
		dash size	Thread T	C	Hex E	Drop H
2951-10-10	5/8	10	7/8-14	28	27	26
2951-10-12	5/8	10	1.1/16-12	29	32	28

JIC 90° Swept Elbow 74° cone - Rolled Nut



Part number	Hose I.D.	Dimensions				
		dash size	Thread T	C	Hex E	Drop H
1001-03-04	3/16	03	7/16-20	33	15	15
1001-04-04	1/4	04	7/16-20	38	15	13
1001-04-05	1/4	04	1/2-20	40	17	14
1001-04-06	1/4	04	9/16-18	47	19	18
1001-05-05	5/16	05	1/2-20	16	17	17
1001-05-06	5/16	05	9/16-18	47	19	18
1001-06-05	3/8	06	1/2-20	51	17	17
1001-06-06	3/8	06	9/16-18	51	19	17
1001-06-07	3/8	06	5/8-18	51	22	17
1001-06-08	3/8	06	3/4-16	52	24	19
1001-06-10	3/8	06	7/8-14	54	27	21
1001-08-08	1/2	08	3/4-16	62	24	22
1001-08-10	1/2	08	7/8-14	64	27	23
1001-08-12	1/2	08	1.1/16-12	68	32	25
1001-10-10	5/8	10	7/8-14	68	27	24
1001-10-12	5/8	10	1.1/16-12	70	32	25
1001S12-10	3/4	12	7/8-14	83	27	27
1001-12-12	3/4	12	1.1/16-12	84	32	28
1001-12-14	3/4	12	1.3/16-12	84	36	29
1001-12-16	3/4	12	1.5/16-12	88	38	30
1001-16-16	1	16	1.5/16-12	104	38	33

1000

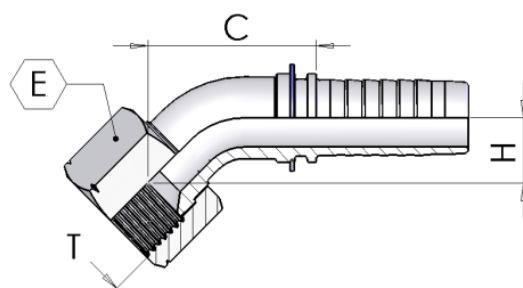


JIC 45° Swept Elbow 74° Cone Slipe on nut

Part number	Hose I.D.	Dimensions				
		dash size	Thread T	C	Hex E	Drop H
1000-03-04	3/16	03	7/16-20	33	17	15
1000-04-04	1/4	04	7/16-20	38	17	13
1000-04-05	1/4	04	1/2-20	40	17	14
1000-04-06	1/4	04	9/16-18	42	19	16
1000-05-06	5/16	05	9/16-18	47	19	18
1000-06-05	3/8	06	1/2-20	51	17	17
1000-06-06	3/8	06	9/16-18	51	19	17
1000-06-07	3/8	06	5/8-18	51	22	17
1000-06-08	3/8	06	3/4-16	51	24	19
1000-06-10	3/8	06	7/8-14	54	27	21
1000-08-08	1/2	08	3/4-16	62	24	22
1000-08-10	1/2	08	7/8-14	64	27	23
1000-08-12	1/2	08	1.1/16-12	68	32	25
1000-10-10	5/8	10	7/8-14	68	27	24
1000-10-12	5/8	10	1.1/16-12	70	32	25
1000S12-10	3/4	12	7/8-14	83	27	27
1000-12-12	3/4	12	1.1/16-12	84	32	28
1000-12-14	3/4	12	1.3/16-12	84	36	29
1000-12-16	3/4	12	1.5/16-12	88	41	30
1000-16-12	1	16	1.1/16-12	103	32	32
1000S16-14	1	16	1.3/16-12	72	36	33
1000-16-16	1	16	1.5/16-12	104	41	33
1000S16-20	1	16	1.5/8-12	68	50	31
1000-20-20	1.1/4	20	1.5/8-12	108	50	40
1000S20-24	1.1/4	20	1.7/8-12	89	55	39
1000-24-24	1.1/2	24	1.7/8-12	119	55	49
1000-32-32	2	32	2.1/2-12	142	70	65

1002

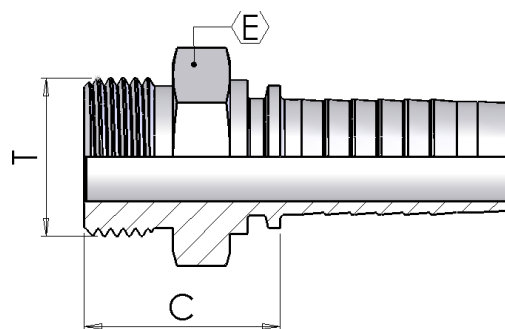
JIC 45° Swept Elbow 74° Cone Slipe on nut



Part number	Hose I.D.	Dimensions				
		dash size	Thread T	C	Hex E	Drop H
1002-04-05	1/4	04	1/2-20	38	17	11
1002-04-06	1/4	04	9/16-18	38	19	11
1002-05-06	5/16	05	9/16-18	49	19	20
1002-06-08	3/8	06	3/4-16	48	22	13
1002-08-10	1/2	08	7/8-14	58	27	16
1002-10-12	5/8	10	1.1/16-12	66	32	18
1002-12-12	3/4	12	1.1/16-12	81	32	21
1002-12-16	3/4	12	1.5/16-12	86	38	30

0385

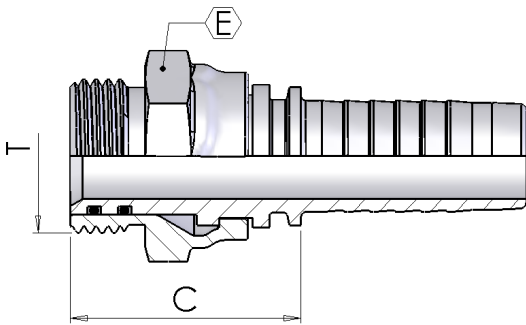
SAE Male O'R Flat Seat



Part number	Hose I.D.		Dimensions			
	in	mm	dash size	Thread T	Cut-Off C	Hex E
0385-04-04	1/4	6.4	04	7/16-20	24	14
0385-04-06	1/4	6.4	04	9/16-18	24	17
0385-05-06	5/16	7.9	05	9/16-18	24	17
0385-06-06	3/8	9.5	06	9/16-18	25	17
0385-06-08	3/8	9.5	06	3/4-16	28	22
0385-08-08	1/2	12.7	08	3/4-16	28	22
0385-08-10	1/2	12.7	08	7/8-14	30	27
0385-08-12	1/2	12.7	08	1.1/16-12	32	32
0385-10-10	5/8	15.9	10	7/8-14	30	27
0385-10-12	5/8	15.9	10	1.1/16-12	32	32
0385-12-12	3/4	19	12	1.1/16-12	33	32

0390

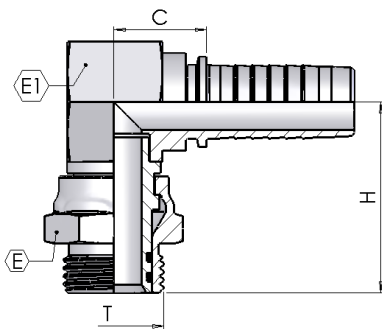
Swivel Male O'Ring



Part number	Hose I.D.		Dimensions			
			dash	Thread	Cut-Off	Hex
	in	mm	size	T	C	E
0390-08-10	1/2	12.7	08	7/8-14	39	27
0390-10-10	5/8	15.9	10	7/8-14	39	27
0390-12-12	3/4	19	12	1.1/16-12	43	32

0395

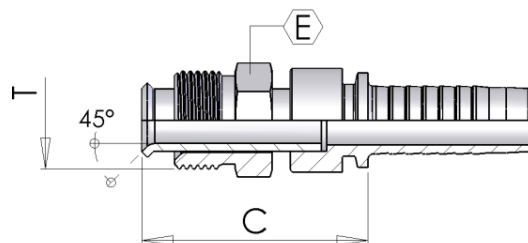
90° Swivel Male O'ring



Part number	Hose I.D.		Dimensions					
			dash	Thread	Cut-Off	Hex		Drop
	in	mm	size	T	C	E	E1	H
0395-08-10	1/2	12.7	08	7/8-14	21	27	27	48
0395-10-10	5/8	15.9	10	7/8-14	21	27	27	48
0395-12-12	3/4	19	12	1.1/16-12	25	32	32	52

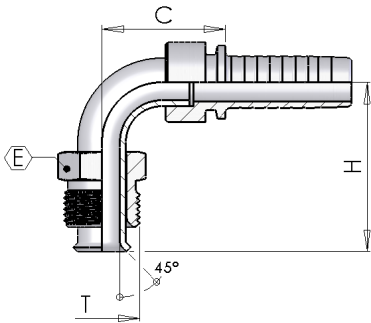
IF00

Straight Male Inverted Flare Swivel



Part number	Hose I.D.		Dimensions			
			dash	Thread	Cut-Off	Hex
	in	mm	size	T	C	E
IF00-04-04	1/4	6.4	04	7/16-24	38	12
IF00-04-05	1/4	6.4	04	1/2-20	55	14
IF00-05-04	5/8	7.9	05	7/16-24	56	12
IF00-05-05	5/8	7.9	05	1/2-20	56	14
IF00-05-07	5/8	7.9	05	5/8-18	56	17
IF00-06-04	3/8	9.5	06	7/16-24	56	12
IF00-06-05	3/8	9.5	06	1/2-20	56	14
IF00-06-07	3/8	9.5	06	5/8-18	57	17
IF00-06-09	3/8	9.5	06	11/16-18	42	19
IF00-08-08	1/2	12.7	08	3/4-18	60	19

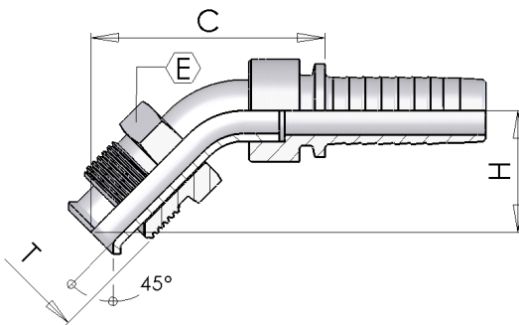
IF90



90° Male Inverted Flare Swivel

Part number	Hose I.D.		Dimensions				
			dash	Thread	Cut-Off	Hex	Drop
	in	mm	size	T	C	E	H
IF90-04-04	1/4	6.4	04	7/16-24	29	12	36
IF90-04-05	1/4	6.4	04	1/2-20	30	14	34
IF90-05-04	5/8	7.9	05	7/16-24	24	12	38
IF90-05-05	5/8	7.9	05	1/2-20	30	14	35
IF90-05-07	5/8	7.9	05	5/8-18	30	17	43
IF90-06-04	3/8	9.5	06	7/16-24	30	12	35
IF90-06-05	3/8	9.5	06	1/2-20	30	14	35
IF90-06-07	3/8	9.5	06	5/8-18	31	17	44
IF90-06-09	3/8	9.5	06	11/16-18	31	19	42
IF90-08-08	1/2	12.7	08	3/4-18	35	19	45

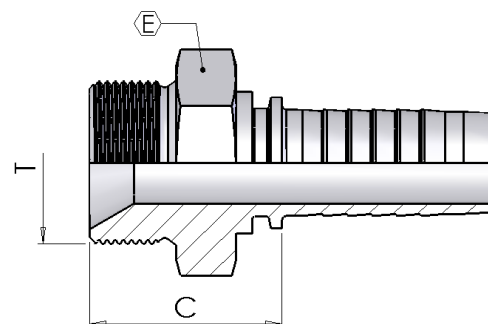
IF45



45° Male Inverted Flare Swivel

Part number	Hose I.D.		Dimensions				
			dash	Thread	Cut-Off	Hex	Drop
	in	mm	size	T	C	E	H
IF45-06-04	3/8	9.5	06	7/16-24	48	12	25
IF45-06-05	3/8	9.5	06	1/2-20	48	14	25
IF45-06-07	3/8	9.5	06	5/8-18	54	17	30
IF45-06-09	3/8	9.5	06	11/16-18	54	19	30

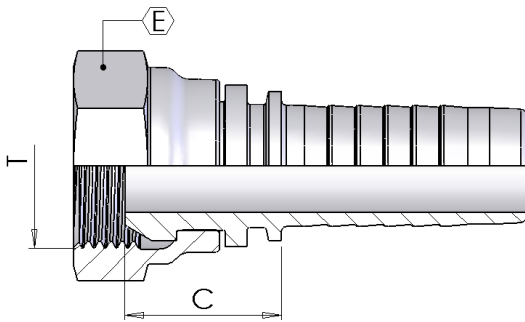
Metric Male 60° cone



Part number	Hose I.D.		Dimensions			
			dash	Thread	Cut-Off	Hex
	in	mm	size	T	C	E
0400-03-10	3/16	4.8	03	M10-1	19	14
0400-03-12	3/16	4.8	03	M12-1.5	25	17
0400-04-10	1/4	6.4	04	M10-1	20	14
0400-04-12	1/4	6.4	04	M12-1.5	26	17
0400-04-14	1/4	6.4	04	M14-1.5	26	19
0400-04-16	1/4	6.4	04	M16-1.5	26	22
0400-05-12	5/16	7.9	05	M12-1.5	26	17
0400-05-16	5/16	7.9	05	M16-1.5	26	22
0400-05-18	5/16	7.9	05	M18-1.5	26	24
0400-06-14	3/8	9.5	06	M14-1.5	26	19
0400-06-16	3/8	9.5	06	M16-1.5	26	22
0400-06-18	3/8	9.5	06	M18-1.5	27	24
0400-06-22	3/8	9.5	06	M22-1.5	27	27
0400-08-18	1/2	12.7	08	M18-1.5	28	24
0400-08-22	1/2	12.7	08	M22-1.5	30	27
0400-10-26	5/8	15.9	10	M26-1.5	32	32
0400-12-26	3/4	19	12	M26-1.5	33	32
0400-12-30	3/4	19	12	M30-1.5	36	36
0400-16-38	1	25.4	16	M38-1.5	37	46
0400-20-45	1.1/4	31.8	20	M45-1.5	39	55

0100

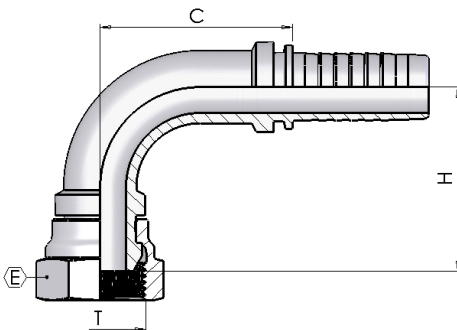
Metric Female 60° cone



Part number	Hose I.D.		Dimensions			
			dash	Thread	Cut-Off	Hex
	in	mm	size	T	C	E
0100-12-30	3/4	19	12	M30-1.5	23	36
0100-16-38	1	25.4	16	M38-1.5	33	46
0100-20-45	1.1/4	31.8	20	M45-1.5	34	50
0100-24-52	1.1/2	38	24	M52x1,5	35	60
0100-32-65	2	50.8	32	M65-2	31	75

0200

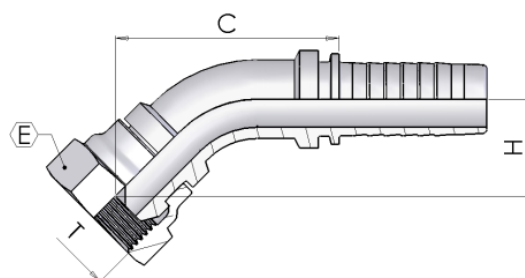
90° Metric Swept Elbow 60° cone



Part number	Hose I.D.		Dimensions				
			dash	Thread	Cut-Off	Hex	Drop
	in	mm	size	T	C	E	H
0200S12-30	3/4	19	12	M30-1.5	48	36	57
0200S20-45	1.1/4	31.8	20	M45-1.5	63	50	71
0200-16-38	1	25.4	16	M38-1.5	70	46	71

0300

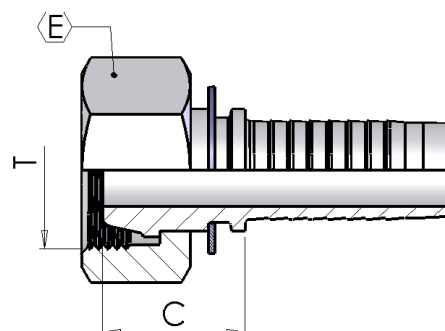
45° Metric Swept Elbow 60° cone



Part number	Hose I.D.		Dimensions				
			dash	Thread	Cut-Off	Hex	Drop
	in	mm	size	T	C	E	H
0300S12-30	3/4	19	12	M30-1.5	57	36	27
0300S20-45	1.1/4	31.8	20	M45-1.5	73	50	27
0300-16-38	1	25.4	16	M38-1.5	109	46	38

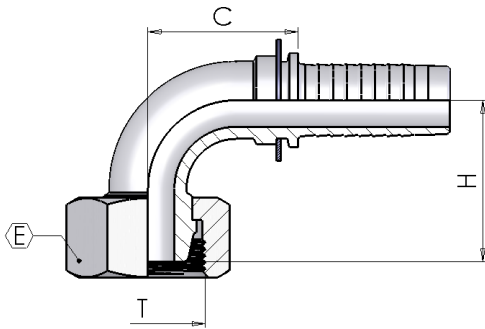
0035

Metric Female 24° Seat Light Multiseal



Part number	Hose I.D.		Dimensions				
			dash	Thread		Cut-Off	Hex
	in	mm	size	T	Erm	C	E
0035-03-12	3/16	4.8	03	M12-1.5	6	19	14
0035-03-16	3/16	4.8	03	M16-1.5	10	18	19
0035-04-14	1/4	6.4	04	M14-1.5	8	19	17
0035-04-16	1/4	6.4	04	M16-1.5	10	19	19
0035-05-16	5/16	7.9	05	M16-1.5	10	19	19
0035-05-18	5/16	7.9	05	M18-1.5	12	21	22
0035-06-18	3/8	9.5	06	M18-1.5	12	23	22
0035-06-22	3/8	9.5	06	M22-1.5	15	22	27
0035-08-22	1/2	12.7	08	M22-1.5	15	22	27
0035-08-26	1/2	12.7	08	M26-1.5	18	24	32
0035-10-26	5/8	15.9	10	M26-1.5	18	24	32

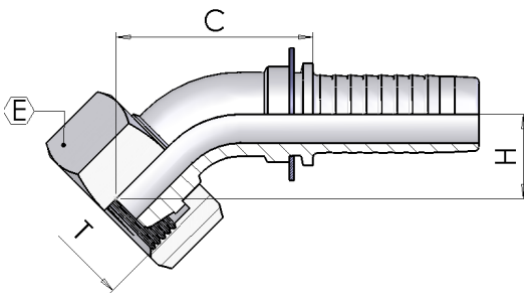
0135



90° Metric Swept Elbow 24° Seat Light Multiseal

Part number	Hose I.D.		Dimensions					
			dash	Thread		Cut-Off	Hex	Drop
	in	mm	size	T	Erm	C	E	H
0135-04-14	1/4	6.4	04	M14-1.5	8	25	17	25
0135-04-16	1/4	6.4	04	M16-1.5	10	26	19	24
0135-05-16	5/16	7.9	05	M16-1.5	10	32	19	29
0135-05-18	5/16	7.9	05	M18-1.5	12	31	22	30
0135-06-18	3/8	9.5	06	M18-1.5	12	32	22	33
0135-06-22	3/8	9.5	06	M22-1.5	15	33	27	34
0135-08-22	1/2	12.7	08	M22-1.5	15	41	27	38
0135-10-26	5/8	15.9	10	M26-1.5	18	46	32	42

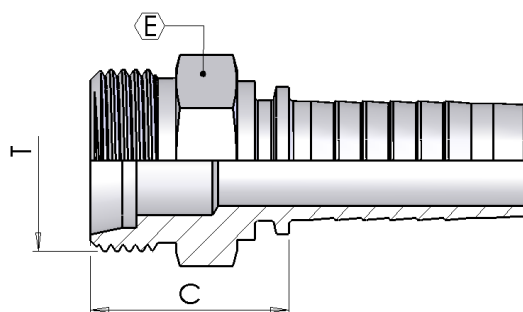
0235



45° Metric Swept Elbow 24° Seat Light Multiseal

Part number	Hose I.D.		Dimensions					
			dash	Thread		Cut-Off	Hex	Drop
	in	mm	size	T	Erm	C	E	H
0235-04-12	1/4	6.4	04	M12-1.5	6	36	14	15
0235-04-14	1/4	6.4	04	M14-1.5	8	40	17	14
0235-04-16	1/4	6.4	04	M16-1.5	10	37	19	16
0235-05-16	5/16	7.9	05	M16-1.5	10	47	19	14
0235-05-18	5/16	7.9	05	M18-1.5	12	49	22	16
0235-06-18	3/8	9.5	06	M18-1.5	12	50	22	16
0235-08-22	1/2	12.7	08	M22-1.5	15	61	27	21

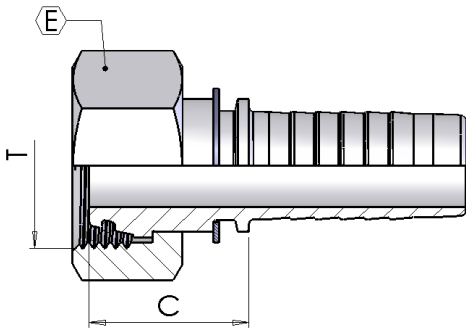
Metric Male 24° Seat Light



Part number	Hose I.D.		Dimensions				
			dash	Thread		Cut-Off	Hex
	in	mm	size	T	Erm	C	E
0500-03-12	3/16	4.8	03	M12-1.5	6	22	14
0500-04-12	1/4	6.4	04	M12-1.5	6	23	14
0500-04-14	1/4	6.4	04	M14-1.5	8	22	14
0500-04-16	1/4	6.4	04	M16-1.5	10	23	17
0500-04-18	1/4	6.4	04	M18-1.5	12	24	19
0500-05-14	5/16	7.9	05	M14-1.5	8	22	14
0500-05-16	5/16	7.9	05	M16-1.5	10	23	17
0500-05-18	5/16	7.9	05	M18-1.5	12	24	19
0500-05-22	5/16	7.9	05	M22-1.5	15	25	22
0500-06-16	3/8	9.5	06	M16-1.5	10	23	17
0500-06-18	3/8	9.5	06	M18-1.5	12	24	19
0500-06-22	3/8	9.5	06	M22-1.5	15	25	22
0500-08-18	1/2	12.7	08	M18-1.5	12	25	19
0500-08-22	1/2	12.7	08	M22-1.5	15	26	22
0500-08-26	1/2	12.7	08	M26-1.5	18	27	27
0500-10-22	5/8	15.9	10	M22-1.5	15	26	22
0500-10-26	5/8	15.9	10	M26-1.5	18	27	27
0500-10-30	5/8	15.9	10	M30-2	22	32	30
0500-12-26	3/4	19	12	M26-1.5	18	28	27
0500-12-30	3/4	19	12	M30-2	22	33	30
0500-16-36	1	25.4	16	M36-2	28	32	36
0500-20-45	1.1/4	31.8	20	M45-2	35	36	46
0500-24-52	1.1/2	38.1	24	M52-2	42	38	55

0085

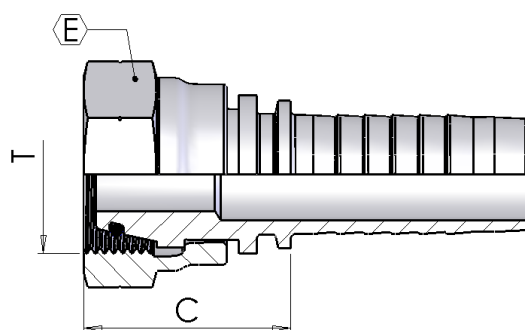
Metric Female 24° Seat Light



Part number	Hose I.D.		Dimensions				
			dash size	Thread T	Erm	Cut-Off C	Hex E
0085-03-12	3/16	4.8	03	M12-1.5	6	23	14
0085-04-14	1/4	6.4	04	M14-1.5	8	24	17
0085-04-16	1/4	6.4	04	M16-1.5	10	24	19
0085-04-18	1/4	6.4	04	M18-1.5	12	25	22
0085-05-16	5/16	7.9	05	M16-1.5	10	24	19
0085-05-18	5/16	7.9	05	M18-1.5	12	25	22
0085-06-18	3/8	9.5	06	M18-1.5	12	25	22
0085-06-22	3/8	9.5	06	M22-1.5	15	29	27
0085-08-22	1/2	12.7	08	M22-1.5	15	29	27
0085-08-26	1/2	12.7	08	M26-1.5	18	29	32
0085-10-26	5/8	15.9	10	M26-1.5	18	29	32
0085-10-30	5/8	15.9	12	M30-2	22	29	36
0085-12-30	3/4	19	12	M30-2	22	29	36
0085-12-36	3/4	19	12	M36-2	28	28	41
0085-16-36	1	25.4	16	M36-2	28	30	41
0085-20-45	1.1/4	31.8	20	M45-2	35	40	50
0085-24-52	1.1/2	38.1	24	M52-2	42	41	60

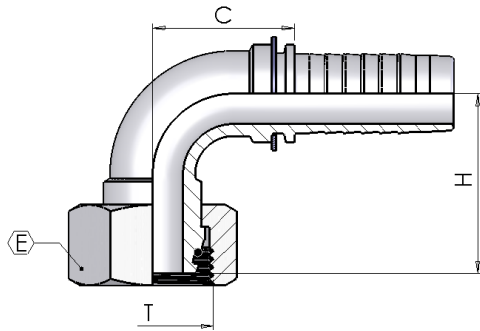
0085_R

Metric Female 24° Seat Light (rolled nut)



Part number	Hose I.D.		Dimensions				
			dash size	Thread T	Erm	Cut-Off C	Hex E
0085_R-04-12	1/4	6.4	04	M12-1.5	6	25	14
0085_R-05-14	5/16	7.9	05	M14-1.5	8	26	19
0085_R-06-16	3/8	9.5	06	M16-1.5	10	25	19
0085_R-08-18	1/2	12.7	08	M18-1.5	12	28	24
0085_R-10-22	5/8	15.9	10	M22-1.5	15	32	27
0085_R-12-26	3/4	19	12	M26-1.5	18	36	32

0185

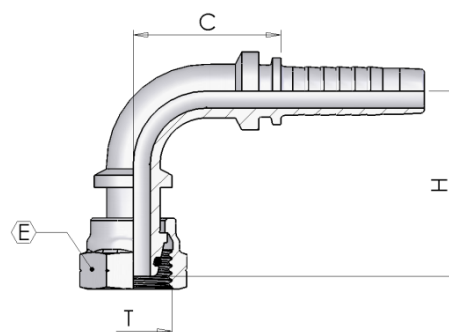


90° Metric Swept Elbow 24° Seat Light

Part number	Hose I.D.		Dimensions					
			dash	Thread		Cut-Off	Hex	Drop
	in	mm	size	T	Erm	C	E	H
0185-03-12	3/16	4.8	03	M12-1.5	6	22	14	23
0185-04-14	1/4	6.4	04	M14-1.5	8	26	17	26
0185-04-16	1/4	6.4	04	M16-1.5	10	25	19	27
0185-04-18	1/4	6.4	04	M18-1.5	12	27	22	30
0185-05-16	5/16	7.9	05	M16-1.5	10	31	19	31
0185-05-18	5/16	7.9	05	M18-1.5	12	31	22	32
0185-06-18	3/8	9.5	06	M18-1.5	12	32	22	35
0185-06-22	3/8	9.5	06	M22-1.5	15	32	27	35
0185-08-22	1/2	12.7	08	M22-1.5	15	41	27	38
0185-08-26	1/2	12.7	08	M26-1.5	18	41	32	39
0185-10-26	5/8	15.9	10	M26-1.5	18	44	32	44
0185S12-26	3/4	19	12	M26-1.5	18	42	32	44
0185-12-30	3/4	19	12	M30-2	22	58	36	52
0185S12-36	3/4	19	12	M36-2	28	49	41	51
0185-16-36	1	25.4	16	M36-2	28	72	41	62
0185S20-45	1.1/4	31.8	20	M45-2	35	63	50	73
0185S24-52	1.1/2	38.1	24	M52-2	42	81	60	83

0185_R

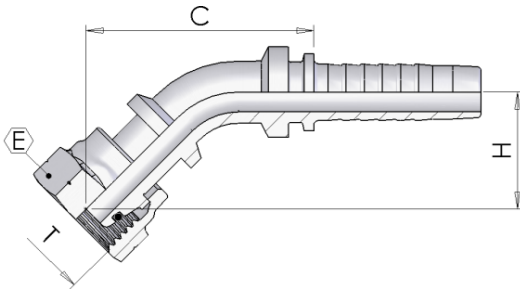
90° Metric Swept Elbow 24° Seat Light (rolled nut)



Part number	Hose I.D.		Dimensions					
			dash	Thread		Cut-Off	Hex	Drop
	in	mm	size	T	Erm	C	E	H
0185_R-04-12	1/4	6.4	04	M12-1.5	6	26	14	34
0185_R-05-14	5/16	7.9	05	M14-1.5	8	30	17	38
0185_R-06-16	3/8	9.5	06	M16-1.5	10	32	19	39
0185_RS08-18	1/2	12.7	08	M18-1.5	12	33	24	48
0185_R-10-22	5/8	15.9	08	M22-1.5	15	42	27	55

0285

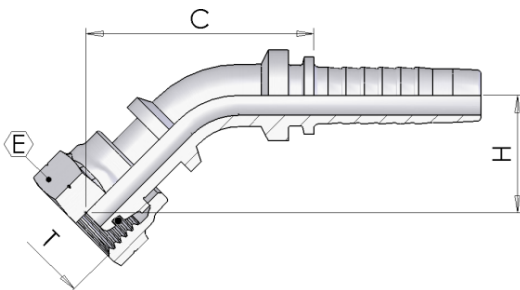
45° Metric Swept Elbow 24° Seat Light



Part number	Hose I.D.		Dimensions					
			dash	Thread		Cut-Off	Hex	Drop
	in	mm	size	T	Erm	C	E	H
0285-03-12	3/16	4.8	03	M12-1.5	6	36	14	14
0285-04-14	1/4	6.4	04	M14-1.5	8	42	17	14
0285-04-16	1/4	6.4	04	M16-1.5	10	42	19	15
0285-04-18	1/4	6.4	04	M18-1.5	12	43	22	16
0285-05-16	5/16	7.9	05	M16-1.5	10	48	19	17
0285-05-18	5/16	7.9	05	M18-1.5	12	48	22	18
0285-06-18	3/8	9.5	06	M18-1.5	12	52	22	19
0285-06-22	3/8	9.5	06	M22-1.5	15	51	27	19
0285-08-22	1/2	12.7	08	M22-1.5	15	63	27	21
0285S08-26	1/2	12.7	08	M26-1.5	18	44	32	17
0285-10-26	5/8	15.9	10	M26-1.5	18	68	32	23
0285S12-26	3/4	19	12	M26-1.5	18	43	32	19
0285-12-30	3/4	19	12	M30-2	22	85	36	27
0285-16-36	1	25.4	16	M36-2	28	102	41	32
0285S20-45	1.1/4	31.8	20	M45-2	35	72	50	34
0285S24-52	1.1/2	38.1	24	M52-2	42	85	60	36

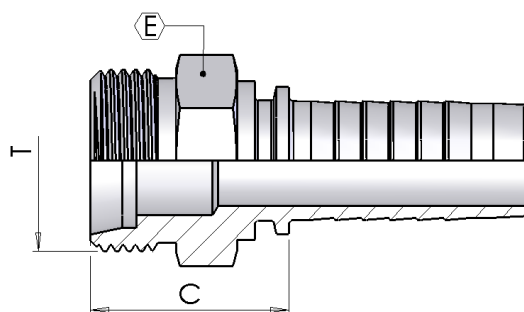
0285_R

45° Metric Swept Elbow 24° Seat Light (rolled nut)



Part number	Hose I.D.		Dimensions					
			dash	Thread		Cut-Off	Hex	Drop
	in	mm	size	T	Erm	C	E	H
0285_R-04-12	1/4	6.4	04	M12-1.5	6	46	14	20
0285_R-06-16	3/8	9.5	06	M16-1.5	10	55	19	22

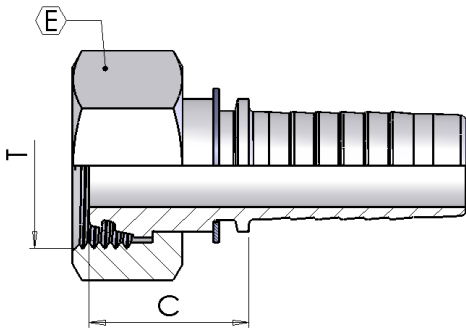
Metric Male 24° Seat Heavy



Part number	Hose I.D.		Dimensions				
			dash	Thread		Cut-Off	Hex
	in	mm	size	T	Erm	C	E
0450-03-16	3/16	4.8	03	M16-1.5	8	26	17
0450-04-14	1/4	6.4	04	M14-1.5	6	25	14
0450-04-16	1/4	6.4	04	M16-1.5	8	27	17
0450-04-18	1/4	6.4	04	M18-1.5	10	27	19
0450-05-18	5/16	7.9	05	M18-1.5	10	27	19
0450-05-20	5/16	7.9	05	M20-1.5	12	29	22
0450-06-18	3/8	9.5	06	M18-1.5	10	27	19
0450-06-20	3/8	9.5	06	M20-1.5	12	29	22
0450-06-22	3/8	9.5	06	M22-1.5	14	31	22
0450-06-24	3/8	9.5	06	M24-1.5	16	31	24
0450-08-24	1/2	12.7	08	M24-1.5	16	32	24
0450-10-30	5/8	15.9	10	M30-2	20	34	30
0450-12-30	3/4	19	12	M30-2	20	35	30
0450-12-36	3/4	19	12	M36-2	25	38	36
0450-16-36	1	25.4	16	M36-2	25	39	36
0450-16-42	1	25.4	16	M42-2	30	42	46
0450-20-42	1.1/4	31.8	20	M42-2	30	43	46
0450-20-52	1.1/4	31.8	20	M52-2	38	45	55
0450-24-52	1.1/2	38.1	24	M52-2	38	45	55

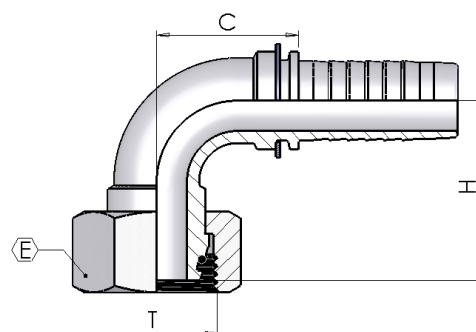
0084

Metric Female 24° Seat Heavy



Part number	Hose I.D.		Dimensions				
			dash	Thread		Cut-Off	Hex
	in	mm	size	T	Erm	C	E
0084-03-16	3/16	4.8	03	M16-1.5	8	25	19
0084-04-14	1/4	6.4	04	M14-1.5	6	23	17
0084-04-16	1/4	6.4	04	M16-1.5	8	25	19
0084-04-18	1/4	6.4	04	M18-1.5	10	24	22
0084-05-18	5/16	7.9	05	M18-1.5	10	24	22
0084-05-20	5/16	7.9	05	M20-1.5	12	26	24
0084-06-18	3/8	9.5	06	M18-1.5	10	25	22
0084-06-20	3/8	9.5	06	M20-1.5	12	25	24
0084-06-22	3/8	9.5	06	M22-1.5	14	29	27
0084-08-22	1/2	12.7	08	M22-1.5	14	17	27
0084-08-24	1/2	12.7	08	M24-1.5	16	30	30
0084-08-30	1/2	12.7	08	M30-2	20	33	36
0084-10-30	5/8	15.9	10	M30-2	20	33	36
0084-12-30	3/4	19	12	M30-2	20	34	36
0084-12-36	3/4	19	12	M36-2	25	40	46
0084-16-36	1	25.4	16	M36-2	25	41	46
0084-16-42	1	25.4	16	M42-2	30	43	50
0084-20-52	1.1/4	31.8	20	M52-2	38	44	60
0084-24-52	1.1/2	38.1	24	M52-2	38	44	60

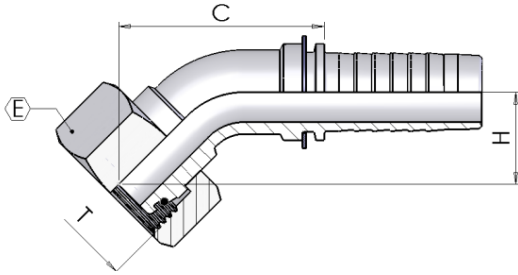
90° Metric Swept Elbow 24° Seat Heavy



Part number	Hose I.D.		Dimensions					
			dash	Thread		Cut-Off	Hex	Drop
	in	mm	size	T	Erm	C	E	H
0184-03-16	3/16	4.8	03	M16-1.5	8	22	19	25
0184-04-14	1/4	6.4	04	M14-1.5	6	27	17	26
0184-04-16	1/4	6.4	04	M16-1.5	8	26	19	26
0184-04-18	1/4	6.4	04	M18-1.5	10	27	22	31
0184-04-20	1/4	6.4	04	M20-1.5	12	27	24	30
0184-05-18	5/16	7.9	05	M18-1.5	10	33	22	33
0184-05-20	5/16	7.9	05	M20-1.5	12	30	24	34
0184-06-18	3/8	9.5	06	M18-1.5	10	34	22	35
0184-06-20	3/8	9.5	06	M20-1.5	12	34	24	34
0184-06-22	3/8	9.5	06	M22-1.5	14	33	27	33
0184-08-24	1/2	12.7	08	M24-1.5	16	40	30	41
0184-10-24	5/8	15.9	10	M24-1.5	16	42	30	60
0184-10-30	5/8	15.9	10	M30-2	20	46	36	50
0184-12-30	3/4	19	12	M30-2	20	58	36	56
0184-12-36	3/4	19	12	M36-2	25	56	46	59
0184-16-36	1	25.4	16	M36-2	25	69	46	67
0184-16-42	1	25.4	16	M42-2	30	69	50	67
0184-20-52	1.1/4	31.8	20	M52-2	38	84	60	82
0184-24-52	1.1/2	38.1	24	M52-2	38	99	60	94

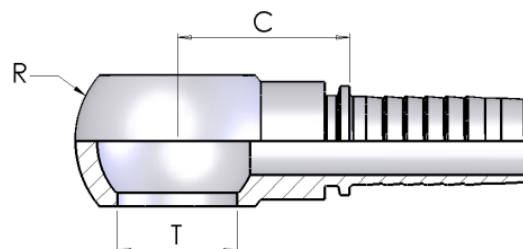
0284

45° Metric Swept Elbow 24° Seat Heavy



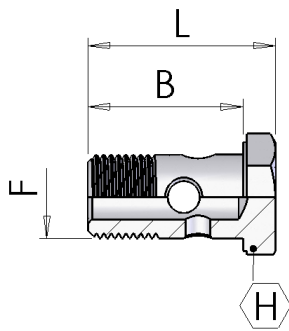
Part number	Hose I.D.		Dimensions					
			dash size	Thread T	Erm	Cut-Off C	Hex E	Drop H
0284-03-16	3/16	4.8	03	M16-1.5	8	36	19	16
0284-04-14	1/4	6.4	04	M14-1.5	6	37	17	15
0284-04-16	1/4	6.4	04	M16-1.5	8	42	19	15
0284-04-18	1/4	6.4	04	M18-1.5	10	45	22	18
0284-05-20	5/16	7.9	05	M20-1.5	12	49	24	19
0284-06-18	3/8	9.5	06	M18-1.5	10	51	22	19
0284-06-20	3/8	9.5	06	M20-1.5	12	53	24	18
0284-06-22	3/8	9.5	06	M22-1.5	14	54	27	20
0284-08-24	1/2	12.7	08	M24-1.5	16	63	30	21
0284-10-30	5/8	15.9	10	M30-2	20	74	36	29
0284-12-30	3/4	19	12	M30-2	20	87	36	30
0284-12-36	3/4	19	12	M36-2	25	56	46	31
0284-16-36	1	25.4	16	M36-2	25	105	46	34
0284-16-42	1	25.4	16	M42-2	30	82	50	33
0284-20-52	1.1/4	31.8	20	M52-2	38	105	60	39
0284-24-52	1.1/2	38.1	24	M52-2	38	157	60	52

Metric Banjo



Part number	Hose I.D.		Dimensions			
			dash		Cut-Off	
	in	mm	size	mm	C	R
1350-03-10	3/16	4.8	03	10.2	25	17
1350-03-12	3/16	4.8	03	12.2	21	20
1350-04-10	1/4	6.4	04	10.2	25	17
1350-04-12	1/4	6.4	04	12.2	22	20
1350-04-14	1/4	6.4	04	14.2	25	24
1350-05-14	5/16	7.9	05	14.2	25	24
1350-05-16	5/16	7.9	05	16.2	31	28
1350-05-18	5/16	7.9	05	18.2	29	32
1350-06-14	3/8	9.5	06	14.2	25	24
1350-06-16	3/8	9.5	06	16.2	31	28
1350-06-18	3/8	9.5	06	18.2	29	32
1350-06-22	3/8	9.5	06	22.2	31	36
1350-08-16	1/2	12.7	08	16.2	30	28
1350-08-18	1/2	12.7	08	18.2	29	32
1350-08-22	1/2	12.7	08	22.2	31	36
1350-10-22	5/8	15.9	10	22.2	31	36
1350-10-26	5/8	15.9	10	26.5	38	45
1350-12-22	3/4	19	12	22.2	32	36

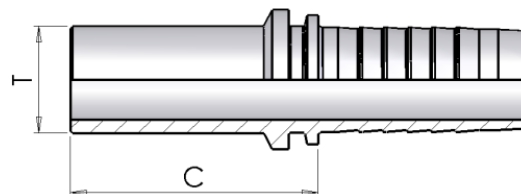
1650



Metric perfored bolt

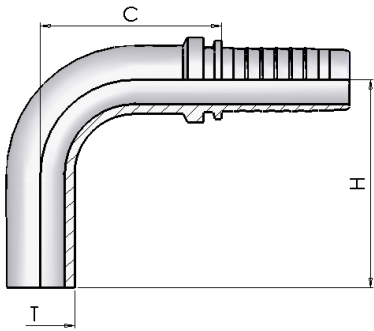
Part number	Dimensions			
	B	F	L	Drop H
1650-00-10	19	M10-1	24	14
1650-00-12	26	M12-1.5	31	17
1650-00-14	29	M14-1.5	34	19
1650-00-16	33	M16-1.5	41	22
1650-00-18	37	M18-1.5	44	24
1650-00-20	38	M20-1.5	46	27
1650-00-22	38	M22-1.5	46	27
1650-00-26	47	M26-1.5	56	32
1650-00-30	58	M30-1.5	68	36

Metric Standpipe



Part number	Hose I.D.		Dimensions			
			dash	pipe		Cut-Off
	in	mm	size	T	Type	C
0550-03-06	3/16	4.8	03	6	L/S	30
0550-03-08	3/16	4.8	03	8	L/S	29
0550-04-06	1/4	6.4	04	6	L/S	32
0550-04-08	1/4	6.4	04	8	L/S	30
0550-04-10	1/4	6.4	04	10	L/S	33
0550-04-12	1/4	6.4	04	12	L/S	30
0550-05-08	5/16	7.9	05	08	L/S	31
0550-05-10	5/16	7.9	05	10	L/S	31
0550-05-12	5/16	7.9	05	12	L/S	33
0550-06-08	3/8	9.5	06	08	L/S	33
0550-06-10	3/8	9.5	06	10	L/S	33
0550-06-12	3/8	9.5	06	12	L/S	32
0550-06-14	3/8	9.5	06	14	S	37
0550-06-15	3/8	9.5	06	15	L	32
0550-08-12	1/2	12.7	08	12	L/S	36
0550-08-14	1/2	12.7	08	14	S	39
0550-08-15	1/2	12.7	08	15	L	34
0550-08-16	1/2	12.7	08	16	S	39
0550-08-18	1/2	12.7	08	18	L	35
0550-08-20	1/2	12.7	08	20	S	45
0550-10-18	5/8	15.9	10	18	L	35
0550-10-20	5/8	15.9	10	20	S	45
0550-10-22	5/8	15.9	10	22	L	33
0550-12-18	3/4	19	12	18	L	37
0550-12-20	3/4	19	12	20	S	46
0550-12-22	3/4	19	12	22	L	38
0550-12-25	3/4	19	12	25	S	49
0550-12-28	3/4	19	12	28	L	40
0550-16-25	1	25.4	16	25	S	51
0550-16-28	1	25.4	16	28	L	41
0550-16-30	1	25.4	16	30	S	54
0550-16-38	1	25.4	16	38	S	60
0550-20-30	1.1/4	31.8	20	30	S	58
0550-20-35	1.1/4	31.8	20	35	L	48
0550-20-38	1.1/4	31.8	20	38	S	62
0550-24-38	1.1/2	38.1	24	38	S	63
0550-24-42	1.1/2	38.1	24	42	L	50

0650

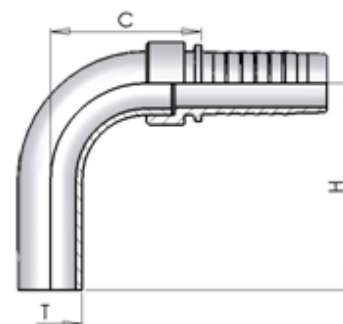


90° Metric Standpipe

Part number	Hose I.D.		Dimensions				
			dash	pipe		Cut-Off	Drop
	in	mm	size	T	Type	C	H
0650-03-06	3/16	4.8	03	6	L/S	20	32
0650-04-06	1/4	6.4	04	6	L/S	23	32
0650-04-08	1/4	6.4	04	8	L/S	25	34
0650-04-10	1/4	6.4	04	10	L/S	25	43
0650-05-10	5/16	7.9	05	10	L/S	29	40
0650-05-12	5/16	7.9	05	12	L/S	29	45
0650-06-10	3/8	9.5	06	10	L/S	27	40
0650-06-12	3/8	9.5	06	12	L/S	30	44

0650S

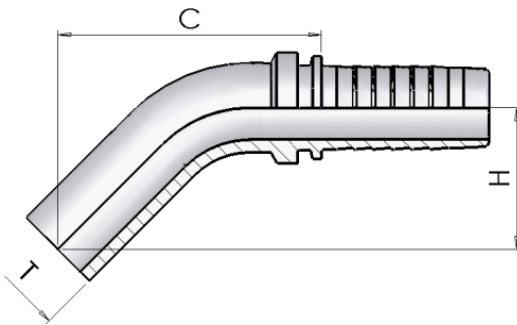
Female Metric Tubular 90° (welded)



Part number	Hose I.D.		Dimensions				
			dash	pipe		Cut-Off	Drop
	in	mm	size	T	Type	C	H
0650S06-15	3/8	9.5	06	15	L	39	52
0650S03-08	3/16	4.8	03	8	L/S	25	41
0650S04-12	1/4	6.4	04	12	L/S	35	44
0650S05-08	5/16	7.9	05	8	L/S	27	41
0650S06-14	3/8	9.5	06	14	S	36	46
0650S08-12	1/2	12.7	08	12	L/S	33	44
0650S08-14	1/2	12.7	08	14	S	36	46
0650S08-15	1/2	12.7	08	15	L	39	52
0650S08-16	1/2	12.7	08	16	S	42	56
0650S08-18	1/2	12.7	08	18	L	42	56
0650S10-18	5/8	15.9	10	18	L	42	56
0650S10-20	5/8	15.9	10	20	S	48	65
0650S10-22	5/8	15.9	10	22	L	51	71
0650S12-20	3/4	19	12	20	S	48	65
0650S12-22	3/4	19	12	22	L	51	71
0650S12-25	3/4	19	12	25	S	57	75
0650S16-25	1	25.4	16	25	S	57	75
0650S16-28	1	25.4	16	28	L	60	89
0650S16-30	1	25.4	16	30	S	65	89
0650S20-30	1.1/4	31.8	20	30	S	66	89
0650S20-35	1.1/4	31.8	20	35	L	76	98
0650S20-38	1.1/4	31.8	20	38	S	83	102
0650S24-38	1.1/2	38.1	24	38	S	82	102
0650S24-42	1.1/2	38.1	24	42	L	106	125

0750

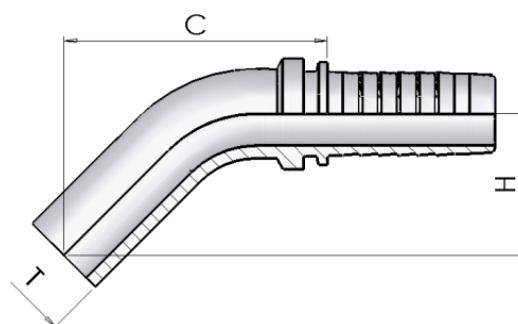
45° Metric Standpipe



Part number	Hose I.D.		Dimensions				
			dash size	pipe T	Type	Cut-Off C	Drop H
	in	mm					
0750-04-06	1/4	6.4	04	6	L/S	41	24
0750-04-08	1/4	6.4	04	8	L/S	43	25
0750-04-10	1/4	6.4	04	10	L/S	47	30
0750-05-10	5/16	7.9	05	10	L/S	49	30
0750-05-12	5/16	7.9	05	12	L/S	53	32
0750-06-12	3/8	9.5	06	12	L/S	52	33

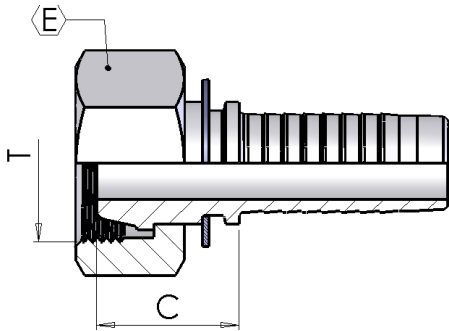
0750S

45° Metric Standpipe (welded)



Part number	Hose I.D.		Dimensions				
			dash	pipe		Cut-Off	Drop
	in	mm	size	T	Type	C	H
0750S03-08	3/16	4.8	03	8	L/S	41	23
0750S04-12	1/4	6.4	04	12	L/S	54	29
0750S06-14	3/8	9.5	06	14	S	50	27
0750S06-15	3/8	9.5	06	15	L	54	29
0750S08-14	1/2	12.7	08	14	S	50	27
0750S08-15	1/2	12.7	08	15	L	55	29
0750S08-16	1/2	12.7	08	16	S	54	27
0750S08-18	1/2	12.7	08	18	L	56	29
0750S10-18	5/8	15.9	10	18	L	56	29
0750S10-20	5/8	15.9	10	20	S	56	34
0750S10-22	5/8	15.9	10	22	L	66	35
0750S12-20	3/4	19	12	20	S	63	34
0750S12-22	3/4	19	12	22	L	65	35
0750S12-25	3/4	19	12	25	S	76	41
0750S16-25	1	25.4	16	25	S	76	41
0750S16-28	1	25.4	16	28	L	84	49
0750S16-30	1	25.4	16	30	S	86	44
0750S20-30	1.1/4	31.8	20	30	S	88	44
0750S20-35	1.1/4	31.8	20	35	L	94	47
0750S20-38	1.1/4	31.8	20	38	S	101	50
0750S24-38	1.1/2	38.1	24	38	S	100	50
0750S24-42	1.1/2	38.1	24	42	L	114	55

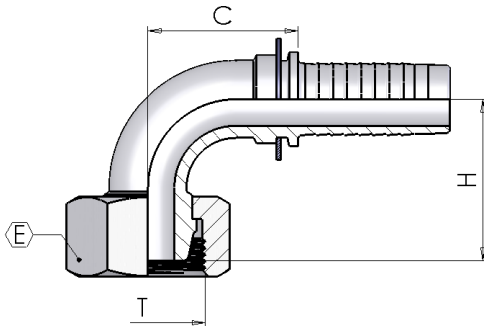
0030



Metric Female 24° Cone French Type

Part number	Hose I.D.		Dimensions			
			dash	Thread	Cut-Off	Hex
	in	mm	size	T	C	E
0030-05-20	5/16	7.9	05	M20-1.5	25	24
0030-06-20	3/8	9.5	06	M20-1.5	26	24
0030-08-24	1/2	12.7	08	M24-1.5	28	30
0030-10-30	5/8	15.9	10	M30-1.5	25	36
0030-12-30	3/4	19	12	M30-1.5	26	36
0030-12-36	3/4	19	12	M36-1.5	29	46
0030-16-45	1	25.4	16	M45-1.5	30	55
0030-20-52	1.1/4	31.8	20	M52-1.5	34	65

0130

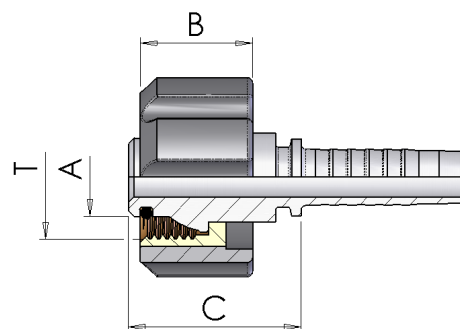


90° Metric Swept Elbow 24° Cone French Type

Part number	Hose I.D.		Dimensions				
			dash	Thread	Cut-Off	Hex	Drop
	in	mm	size	T	C	E	H
0130-05-20	5/16	7.9	05	M20-1.5	29	24	35
0130-06-20	3/8	9.5	06	M20-1.5	33	24	35
0130-08-24	1/2	12.7	08	M24-1.5	43	30	40
0130S10-30	5/8	15.9	10	M30-1.5	48	36	49
0130-12-36	3/4	19	12	M36-1.5	56	46	55

FK50

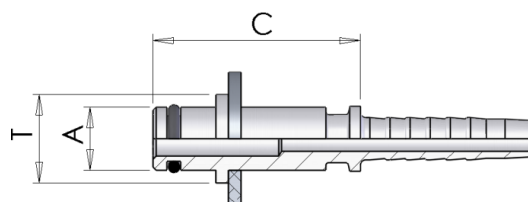
K' Female



Part number	Hose I.D.		Dimensions				
			dash size	Thread T	Cut-Off C	A	B
FK50-04-22	1/4	6.4	04	M22-1.5	31	14	20
FK50-05-22	5/16	7.9	05	M22-1.5	31	14	20
FK50-06-22	3/8	9.5	06	M22-1.5	31	14	20
FK50-04022	1/4	6.4	04	M22-1.5	31	14	27
FK50-05022	5/16	7.9	05	M22-1.5	31	14	27
FK50-06022	3/8	9.5	06	M22-1.5	31	14	27

FN50

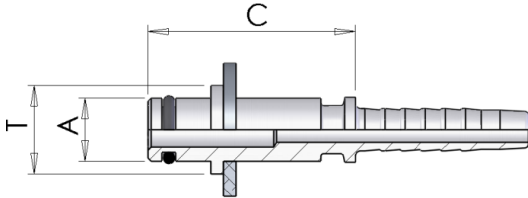
'K' Male (for gun) - Diameter 10



Part number	Hose I.D.		Dimensions			
			dash size	Thread T	A	C
FN50-04-22	1/4	6.4	04	M22-1.5	10	33
FN50-05-22	5/16	7.9	05	M22-1.5	10	33
FN50-06-22	3/8	9.5	06	M22-1.5	10	33

FN51

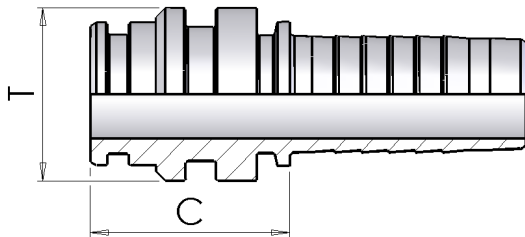
'K' Male (for gun) - Diameter 11



Part number	Hose I.D.		Dimensions			
			dash	Thread		
	in	mm	size	T	A	C
FN51-04-22	1/4	6.4	04	M22-1.5	11	33
FN51-05-22	5/16	7.9	05	M22-1.5	11	33
FN51-06-22	3/8	9.5	06	M22-1.5	11	33

0398

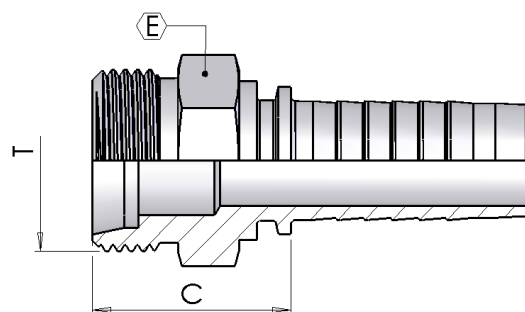
Staplelock Male



Part number	Hose I.D.		Dimensions		
			dash	Thread	Cut-Off
	in	mm	size	T	C
0398-04-04	1/4	6.4	04	14.9	32
0398-06-06	3/8	9.5	06	19.9	35
0398-08-08	1/2	12.7	08	23.9	33
0398-12-12	3/4	19	12	28.9	33
0398-16-16	1	25.4	16	38.8	39
0398-20-20	1.1/4	31.8	20	45.9	41

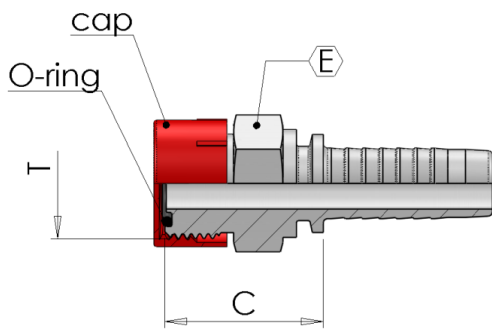
K05B

Kobelko Male



Part number	Hose I.D.		Dimensions			
			dash	Thread	Cut-Off	Hex
	in	mm	size	T	C	E
K05B-10-30	5/8	15.9	10	M30-1.5	32	32
K05B-12-30	3/4	19	12	M30-1.5	35	32
K05B-12-36	3/4	19	12	M36-1.5	36	41
K05B-16-36	1	25.4	16	M36-1.5	37	41
K05B-16-45	1	25.4	16	M45-1,5	38	50

S350

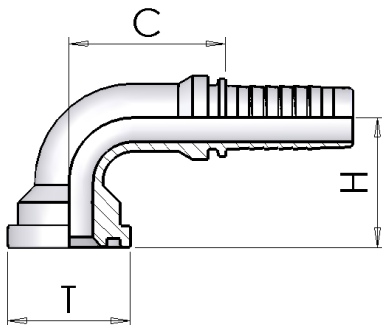


ORFS Male

- with plug and O-Ring

Part number	Hose I.D.		Dimensions			
			dash size	Thread T	Cut-Off C	Hex E
	in	mm				
S350-04-06-BO	1/4	6.4	04	9/16-18	23	17
S350-04-09-BO	1/4	6.4	04	11/16-16	21	19
S350-05-09-BO	5/16	7.9	05	11/16-16	26	19
S350-06-09-BO	3/8	9.5	06	11/16-16	26	19
S350-06-11-BO	3/8	9.5	6	13/16-16	29	22
S350-08-11-BO	1/2	12.7	08	13/16-16	29	22
S350-08-13-BO	1/2	12.7	08	1-14	34	27
S350-08-14-BO	1/2	12.7	08	1.3/16-12	35	32
S350-10-13-BO	5/8	15.9	10	1-14	33	27
S350-10-14-BO	5/8	15.9	10	1.3/16-12	35	32
S350-12-14-BO	3/4	19	12	1.3/16-12	36	32
S350-12-15-BO	3/4	19	12	1.7/16-12	36	38
S350-16-15-BO	1	25.4	16	1.7/16-12	37	38
S350-16-21-BO	1	25.4	16	1.11/16-12	38	46
S350-20-21-BO	1.1/4	31.8	20	1.11/16-12	39	46

1050

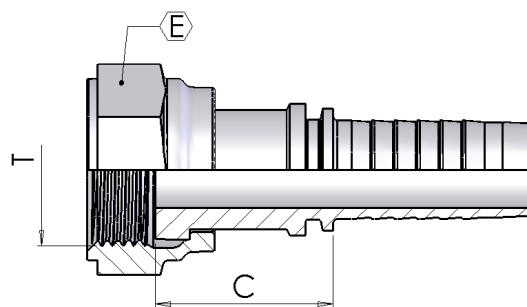


Komatsu Flange 90°

Part number	Hose I.D.	Dimensions			
		dash size	Flange T	mm	Cut-Off C
	in				
1050-10-10	5/8	10	5/8	34	58

S050

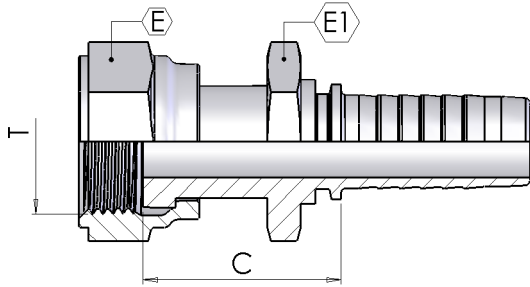
ORFS Female



Part number	Hose I.D.		Dimensions			
			dash	Thread	Cut-Off	Hex
	in	mm	size	T	C	E
S050-04-06	1/4	6.4	04	9/16-18	25	19
S050-04-09	1/4	6.4	04	11/16-16	29	22
S050-05-09	5/16	7.9	05	11/16-16	29	22
S050-06-09	3/8	9.5	06	11/16-16	29	22
S050-06-11	3/8	9.5	06	13/16-16	30	24
S050-08-11	1/2	12.7	08	13/16-16	32	24
S050-08-13	1/2	12.7	08	1-14	35	30
S050-08-14	1/2	12.7	08	1.3/16-12	37	36
S050-10-13	5/8	15.9	10	1-14	35	30
S050-10-14	5/8	15.9	10	1.3/16-12	34	36
S050-12-13	3/4	19	12	1-14	37	30
S050-12-14	3/4	19	12	1.3/16-12	35	36
S050-12-15	3/4	19	12	1.7/16-12	41	41
S050-16-15	1	25.4	16	1.7/16-12	39	41
S050-20-21	1.1/4	31.8	20	1.11/16-12	40	50
S050-24-32	1.1/2	38.1	24	2-12	41	60

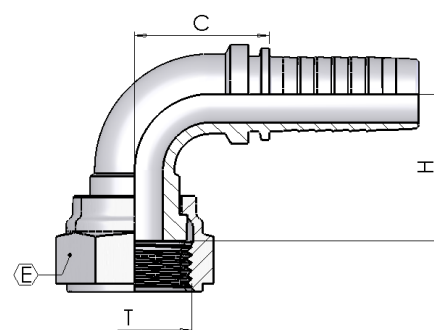
S05T

ORFS Female Back Hexagon



Part number	Hose I.D.		Dimensions				
			dash	Thread	Cut-Off	Hex	
	in	mm	size	T	C	E	E1
S05T-04-06	1/4	6.4	04	9/16-18	30	17	15
S05T-06-09	3/8	9.5	06	11/16-16	34	22	17
S05T-08-11	1/2	12.7	08	13/16-16	37	24	19
S05T-10-13	5/8	15.9	10	1-14	41	30	24
S05T-12-14	3/4	19	12	1.3/16-12	42	36	30
S05T-16-15	1	25.4	16	1.7/16-12	50	41	36

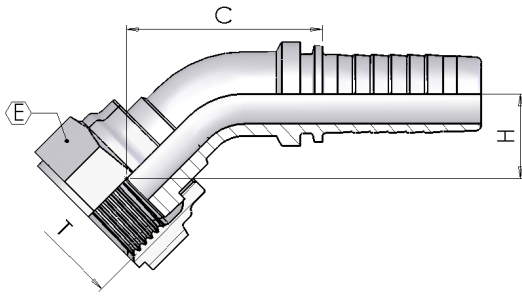
ORFS 90° Swept Elbow



Part number	Hose I.D.		Dimensions				
			dash size	Thread T	Cut-Off C	Hex E	Drop H
	in	mm		T	C	E	H
S150-04-06	1/4	6.4	04	9/16-18	25	19	26
S150-04-09	1/4	6.4	04	11/16-16	25	22	23
S150-05-09	5/16	7.9	05	11/16-16	29	22	32
S150-06-09	3/8	9.5	06	11/16-16	33	22	33
S150-06-11	3/8	9.5	06	13/16-16	33	24	32
S150-08-11	1/2	12.7	08	13/16-16	43	24	36
S150-08-13	1/2	12.7	08	1-14	39	30	40
S150-08-14	1/2	12.7	08	1.3/16-12	42	36	39
S150-10-13	5/8	15.9	10	1-14	47	30	39
S150-10-14	5/8	15.9	10	1.3/16-12	42	36	39
S150-12-13	3/4	19	12	1-14	42	30	39
S150-12-14	3/4	19	12	1.3/16-12	57	36	49
S150-12-15	3/4	19	12	1.7/16-12	56	41	51
S150-16-15	1	25.4	16	1.7/16-12	67	41	62
S150-16-21	1	25.4	20	1.11/16-12	62	50	58
S150-20-21	1.1/4	31.8	20	1.11/16-12	63	50	58
S150-24-32	1.1/2	38.1	24	2-12	80	60	73

S250

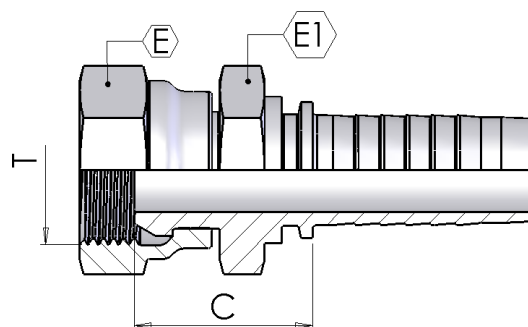
ORFS 45° Swept Elbow



Part number	Hose I.D.		Dimensions				
			dash size	Thread T	Cut-Off C	Hex E	Drop H
	in	mm					
S250-04-06	1/4	6.4	04	9/16-18	40	19	14
S250-04-09	1/4	6.4	04	11/16-16	38	22	14
S250-05-09	5/16	7.9	05	11/16-16	44	22	14
S250-06-09	3/8	9.5	06	11/16-16	55	22	21
S250-06-11	3/8	9.5	06	13/16-16	51	24	18
S250-08-11	1/2	12.7	08	13/16-16	62	24	20
S250-08-13	1/2	12.7	08	1-14	64	30	23
S250-08-14	1/2	12.7	08	1.3/16-12	44	36	17
S250-10-13	5/8	15.9	10	1-14	67	30	22
S250-10-14	5/8	15.9	10	1.3/16-12	44	36	18
S250-12-13	3/4	19	12	1-14	40	30	15
S250-12-14	3/4	19	12	1.3/16-12	84	36	23
S250-12-15	3/4	19	12	1.7/16-12	84	41	26
S250-16-15	1	25.4	16	1.7/16-12	100	41	31
S250-20-21	1.1/4	31.8	20	1.11/16-12	125	50	44
S250-24-32	1.1/2	38.1	24	2-12	78	60	29

0920

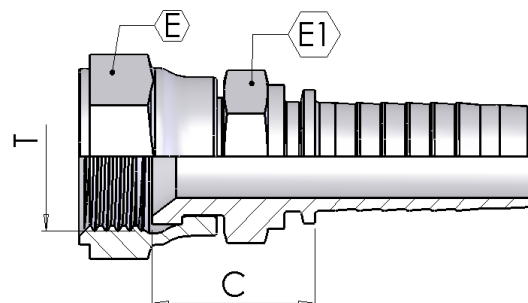
JIS Female 60° cone (Nissan)



Part number	Hose I.D.		Dimensions				
			dash	Thread	Cut-Off	Hex	
	in	mm	size	T	C	E	E1
0920-04-04	1/4	6.4	04	1/4-19	23	19	19
0920-06-06	3/8	9.5	06	3/8-19	28	22	22
0920-08-08	1/2	12.7	08	1/2-14	27	27	27
0920-12-12	3/4	19	12	3/4-14	29	32	32
0920-16-16	1	25.4	16	1-11	31	38	38

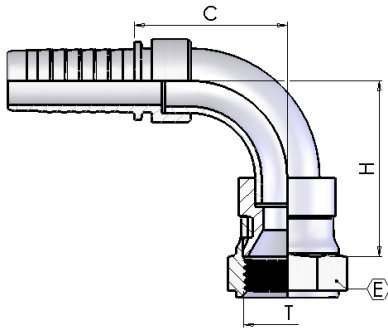
0930

JIS Female 60° cone (Toyota)



Part number	Hose I.D.		Dimensions				
			dash	Thread	Cut-Off	Hex	
	in	mm	size	T	C	E	E1
0930-04-04	1/4	6.4	04	1/4-19	20	19	17
0930-06-06	3/8	9.5	06	3/8-19	22	22	19
0930-08-08	1/2	12.7	08	1/2-14	26	27	22
0930-12-12	3/4	19	12	3/4-14	29	32	30
0930-16-16	1	25.4	16	1-11	31	38	36
0930-20-20	1,1/4	31.8	20	1,1/4-11	35	50	46
0930-24-24	1,1/2	38.1	24	1,1/2-11	28	55	50

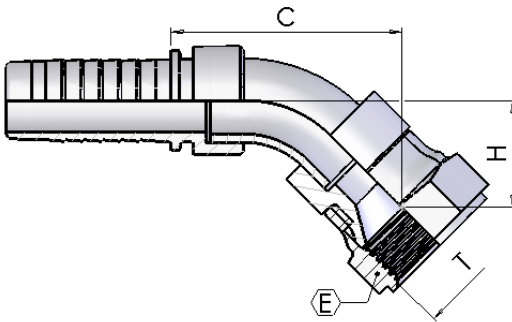
0980S



90° JIS Swept Elbow (Toyota) - welded

Part number	Hose I.D.		Dimensions				
			dash	Thread	Cut-Off	Hex	Drop
			size	T	C	E	H
0980S04-04	1/4	6.4	04	1/4-19	38	19	35
0980S06-06	3/8	9.5	06	3/8-19	27	22	30
0980S08-08	1/2	12.7	08	1/2-14	33	27	39
0980S12-12	3/4	19	12	3/4-14	48	32	55
0980S16-16	1	25.4	16	1-11	57	38	62
0980S20-20	1,1/4	31.8	20	1,1/4-11	63	50	65
0980S24-24	1,1/2	38.1	24	1,1/2-11	80	55	83

1030S

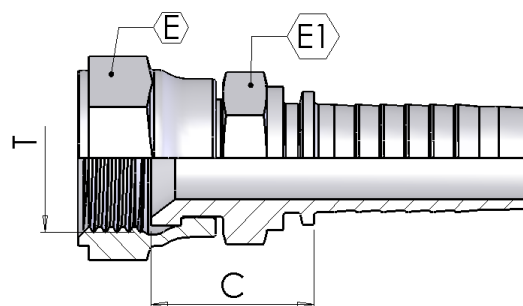


45° JIS Swept Elbow (Toyota) - welded

Part number	Hose I.D.		Dimensions				
			dash	Thread	Cut-Off	Hex	Drop
			size	T	C	E	H
1030S04-04	1/4	6.4	04	1/4-19	44	19	18
1030S05-06	5/16	7.9	05	3/8-19	38	22	18
1030S06-06	3/8	9.5	06	3/8-19	38	22	18
1030S08-08	1/2	12.7	08	1/2-14	40	27	20
1030S12-12	3/4	19	12	3/4-14	56	32	26
1030S16-16	1	25.4	16	1-11	72	38	33
1030S20-20	1,1/4	31.8	20	1,1/4-11	67	50	29
1030S24-24	1,1/2	38.1	24	1,1/2-11	85	55	36

0940

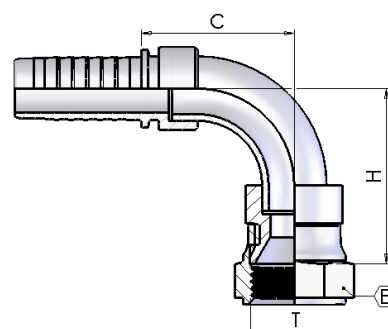
JIS Female 60° Cone (Komatsu)



Part number	Hose I.D.		Dimensions				
			dash	Thread	Cut-Off	Hex	
	in	mm	size	T	C	E	E1
0940-04-14	1/4	6.4	04	M14x1,5	22	19	17
0940-05-16	5/16	7.9	05	M16x1,5	22	22	17
0940-06-14	3/8	9.5	06	M14x1,5	22	19	17
0940-06-18	3/8	9.5	06	M18x1,5	21	24	19
0940-08-22	1/2	12.7	08	M22x1,5	27	27	22
0940-10-24	5/8	15.9	10	M24x1,5	26	30	27
0940-12-30	3/4	19	12	M30x1,5	30	36	30
0940-16-33	1	25.4	16	M33x1,5	33	41	36
0940-20-36	1.1/4	31.8	20	M36x1,5	37	46	46
0940-24-42	1.1/2	38.1	24	M42x1,5	38	50	50

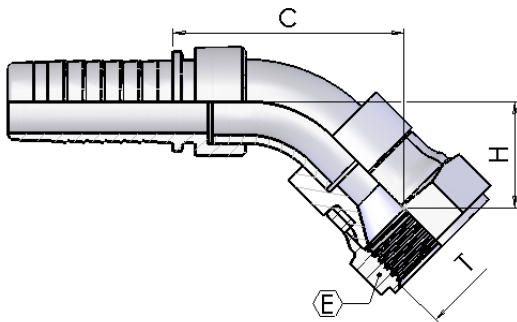
0990S

90° JIS Swept Elbow (Komatsu) - welded



Part number	Hose I.D.		Dimensions				
			dash	Thread	Cut-Off	Hex	Drop
	in	mm	size	T	C	E	H
0990S04-14	1/4	6.4	04	M14x1,5	38	19	35
0990S05-16	5/16	7.9	05	M16x1,5	27	22	30
0990S06-14	3/8	9.5	06	M14x1,5	31	19	33
0990S06-18	3/8	9.5	06	M18x1,5	31	24	33
0990S08-22	1/2	12.7	08	M22x1,5	33	27	39
0990S10-24	5/8	15.9	10	M24x1,5	42	30	48
0990S12-30	3/4	19	12	M30x1,5	48	36	43
0990S16-33	1	25.4	16	M33x1,5	57	41	62

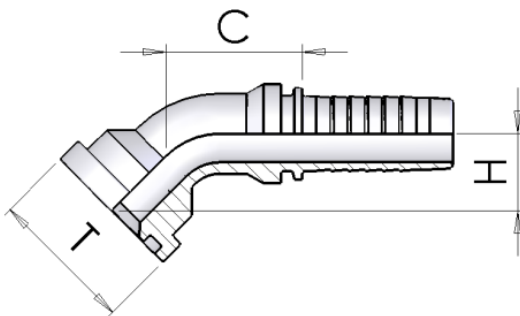
1040S



45° JIS Swept Elbow (Komatsu) - welded

Part number	Hose I.D.		Dimensions				
			dash	Thread	Cut-Off	Hex	Drop
			size	T	C	E	H
1040S-04-14	1/4	6.4	04	M14-1.5	44	19	18
1040S05-16	5/16	7.9	05	M16-1.5	38	22	18
1040S06-14	3/8	9.5	06	M14-1.5	41	19	18
1040S06-18	3/8	9.5	06	M18-1.5	43	24	18
1040S08-22	1/2	12.7	08	M22-1.5	40	27	20
1040S10-24	5/8	15.9	10	M24-1.5	50	30	26
1040S12-30	3/4	19	12	M30-1.5	56	36	26
1040S16-33	1	25.4	16	M33-1.5	65	41	33

1150

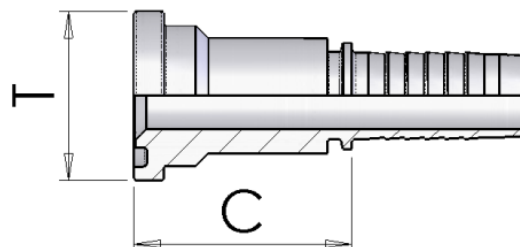


Komatsu Flange 45°

Part number	Hose I.D.		Dimensions			
			dash	Flange	Cut-Off	
			size	T	mm	C
1150-10-10	5/8		10	5/8	34	23

1250

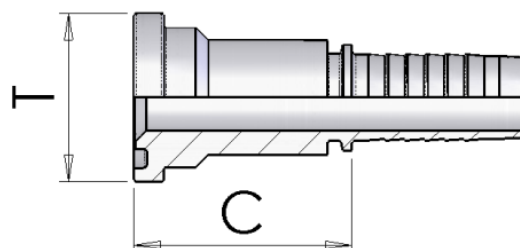
Komatsu Flange - Straight



Part number	Hose I.D.	Dimensions			
		dash size	Flange T	mm	Cut-Off C
1250-10-10	5/8	10	5/8	34	56

1260

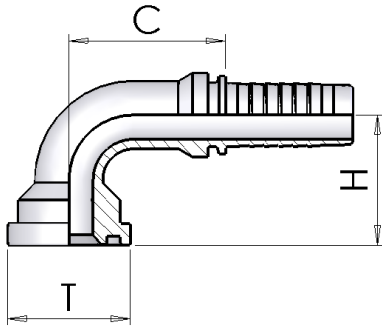
Straight SAE Flange 3000 PSI



Part number	Hose I.D.	Dimensions			
		dash size	Flange T	mm	Cut-Off C
1260-08-08	1/2	08	1/2	30,2	45
1260-08-12	1/2	08	3/4	38.1	50
1260-10-08	5/8	10	1/2	30,2	45
1260-10-12	5/8	10	3/4	38.1	49
1260-12-12	3/4	12	3/4	38.1	50
1260-12-16	3/4	12	1	44.5	53
1260-16-16	1	16	1	44.5	54
1260-16-20	1	16	1.1/4	50.8	57
1260-20-20	1.1/4	20	1.1/4	50.8	59
1260-20-24	1.1/4	20	1.1/2	60.3	62
1260-24-24	1.1/2	24	1.1/2	60.3	62
1260-24-32	1.1/2	24	2	71.4	67
1260-32-32	2	32	2	71.4	68
1260-32-40	2	32	2.1/2	84.1	76
1260-40-40	2.1/2	40	2.1/2	84	76
1260-48-48	3	48	3	102	63

1060

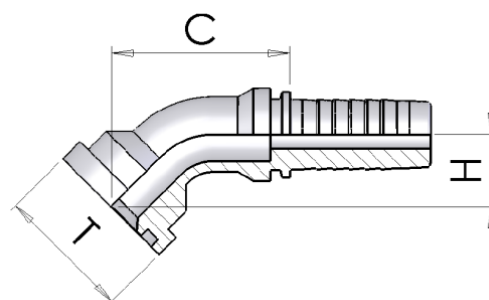
90° SAE Flange 3000 PSI



Part number	Hose I.D.	Dimensions			
		dash size	Flange T	mm	Cut-Off C
1060-08-08	1/2	08	1/2	30,2	39
1060-08-12	1/2	08	3/4	38.1	39
1060-10-08	5/8	10	1/2	30,2	45
1060-10-12	5/8	10	3/4	38.1	45
1060-12-12	3/4	12	3/4	38.1	56
1060-12-16	3/4	12	1	44.5	56
1060-16-16	1	16	1	44.5	70
1060-16-20	1	16	1.1/4	50.8	70
1060-16-24	1	16	1.1/2	60.3	72
1060-20-16	1.1/4	20	1	44.5	81
1060-20-20	1.1/4	20	1.1/4	50.8	86
1060-20-24	1.1/4	20	1.1/2	60.3	85
1060-24-24	1.1/2	24	1.1/2	60.3	98
1060-24-32	1.1/2	24	2	71.4	93
1060-32-32	2	32	2	71.4	123

1160

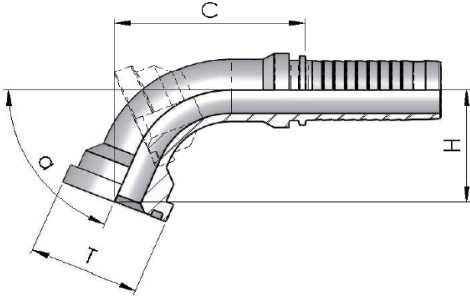
45° SAE Flange 3000 PSI



Part number	Hose I.D.	Dimensions				
		dash	Flange		Cut-Off	Drop
	in	size	T	mm	C	H
1160-08-08	1/2	08	1/2	30.2	62	22
1160-08-12	1/2	08	3/4	38.1	67	25
1160-12-12	3/4	12	3/4	38.1	69	27
1160-12-16	3/4	12	1	44.5	88	30
1160-16-16	1	16	1	44.5	82	33
1160-20-20	1.1/4	20	1.1/4	50.8	102	38
1160-20-24	1.1/4	20	1.1/2	60.3	129	39
1160-24-24	1.1/2	24	1.1/2	60.3	114	44
1160-24-32	1.1/2	24	2	71.4	148	47
1160-32-32	2	32	2	71.4	130	58

1060_

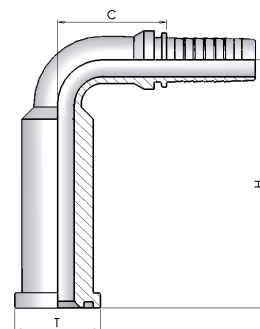
22.5°/30°/60°/67.5° SAE Flange 3000 PSI



Part number	Hose I.D.	Dimensions			
		dash size	Flange T	mm	Cut-Off C
	in				
1060-12-12 22.5	3/4	12	3/4	38.1	76
1060-16-16 22.5	1	16	1	44.5	89
1060-20-20 22.5	1.1/4	20	1.1/4	50.8	111
1060-24-24 22.5	1.1/2	24	1.1/2	60.3	124
1060-32-32 22.5	2	32	2	71.4	144
1060-12-12 30	3/4	12	3/4	38.1	75
1060-16-16 30	1	16	1	44.5	87
1060-20-20 30	1.1/4	20	1.1/4	50.8	109
1060-24-24 30	1.1/2	24	1.1/2	60.3	122
1060-32-32 30	2	32	2	71.4	142
1060-12-12 60	3/4	12	3/4	38.1	76
1060-16-16 60	1	16	1	44.5	95
1060-20-20 60	1.1/4	20	1.1/4	50.8	116
1060-24-24 60	1.1/2	24	1.1/2	60.3	138
1060-32-32 60	2	32	2	71.4	170
1060-12-12 67.5	3/4	12	3/4	38.1	72
1060-16-16 67.5	1	16	1	44.5	91
1060-20-20 67.5	1.1/4	20	1.1/4	50.8	110
1060-24-24 67.5	1.1/2	24	1.1/2	60.3	131
1060-32-32 67.5	2	32	2	71.4	158

FS3L

90° SAE Flange 3000 Psi - Long Drop

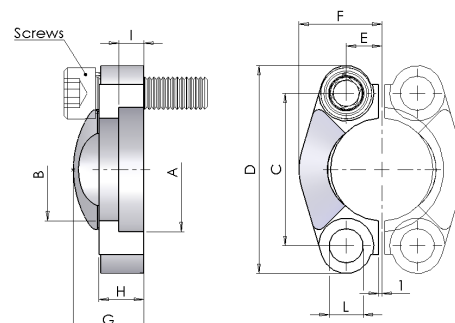


Part number	Hose I.D.	Dimensions			
		dash size	Flange T	mm	Cut-Off C
FS3L-08-08	1/2	08	1/2	30.2	39
FS3L-12-12	3/4	12	3/8	38.1	56
FS3L-16-16	1	16	1	44.5	70
FS3L-20-20	1.1/4	20	1.1/4	50.8	85
FS3L-24-24	1.1/2	24	1.1/2	60.3	99

S003

Cut Split Flanges - 3000 psi

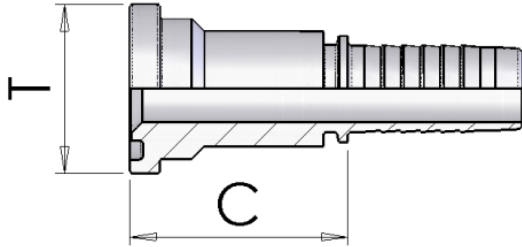
This product is sold in pairs



Part number	Dimensions										Drop	Sae SIZE
	A	B	C	D	Hex E	F	G	I	L	H		
S003-08	30.96	24.3	38.1	54	8.7	22.8	19	6.2	88	13	1/2"	
S003-12	38.89	32.1	47.6	65	11.1	25.9	22	6.2	108	14	3/4"	
S003-16	45.24	38.5	52.4	70	13.1	29.2	24	7.5	108	16	1"	
S003-20	51.59	43.7	58.7	79	15.1	36.3	22	7.5	12	14	1.1/4"	
S003-24	61.09	50.8	69.9	94	17.9	41.1	25	7.5	135	16	1.1/2"	
S003-32	72.24	62.7	77.8	102	21.4	48.2	26	9	135	16	2"	
S003-40	84.94	74.9	88.9	114	25.4	54.1	38	9	135	19	2.1/2"	
S003-48	102.4	90.9	106.4	135	31	65.3	41	9	17	22	3"	

1310

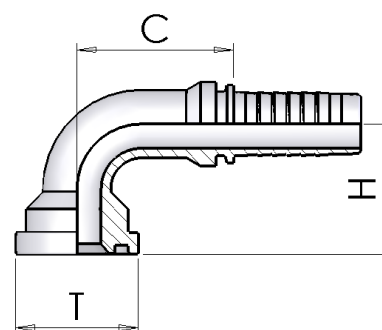
Straight SAE Flange 6000 PSI



Part number	Hose I.D.	Dimensions			
		dash size	Flange T	mm	Cut-Off C
1310-08-08	1/2	08	1/2	31,8	46
1310-08-12	1/2	08	3/4	41.3	53
1310-10-08	5/8	10	1/2	31,8	46
1310-10-12	5/8	10	3/4	41.3	53
1310-10-16	5/8	10	1	47.6	59
1310-12-12	3/4	12	3/4	41.3	54
1310-12-16	3/4	12	1	47.6	60
1310-16-12	1	16	3/4	41.3	55
1310-16-16	1	16	1	47.6	61
1310-16-20	1	16	1.1/4	54	68
1310-20-20	1.1/4	20	1.1/4	54	70
1310-20-24	1.1/4	20	1.1/2	63.5	76
1310-24-24	1.1/2	24	1.1/2	63.5	76
1310-24-32	1.1/2	24	2	79.4	85
1310-32-32	2	32	2	79.4	85

1110

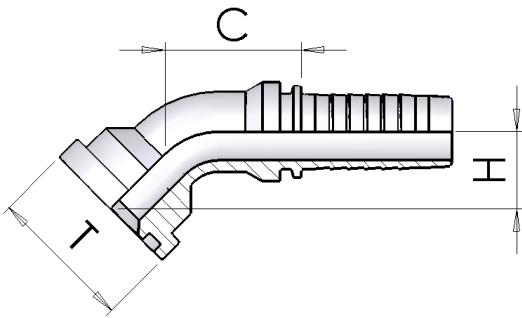
90° SAE Flange 6000 PSI



Part number	Hose I.D.	Dimensions			
		dash size	Flange T	mm	Cut-Off C
1110-08-08	1/2	08	1/2	31.8	39
1110-08-12	1/2	08	3/4	41.3	39
1110-10-08	5/8	10	1/2	31.8	45
1110-10-12	5/8	10	3/4	41.3	44
1110-10-16	5/8	10	1	47.6	45
1110-12-08	3/4	12	1/2	31.8	56
1110-12-12	3/4	12	3/4	41.3	56
1110-12-16	3/4	12	1	47.6	56
1110-16-12	1	16	3/4	41.3	68
1110-16-16	1	16	1	47.6	70
1110-16-20	1	16	1.1/4	54	71
1110-20-20	1.1/4	20	1.1/4	54	97
1110-20-24	1.1/4	20	1.1/2	63.5	97
1110-24-24	1.1/2	24	1.1/2	63.5	102
1110-24-32	1.1/2	24	2	79.4	103
1110-32-32	2	32	2	79.4	125

1210

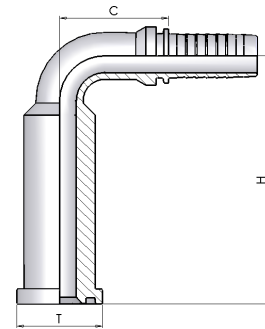
45° SAE Flange 6000 PSI



Part number	Hose I.D.	Dimensions			
		dash size	Flange T	mm	Cut-Off C
1210-08-08	1/2	08	1/2	31.8	62
1210-08-12	1/2	08	3/4	41.3	69
1210-10-08	5/8	10	1/2	31.8	66
1210-10-12	5/8	10	3/4	41.3	75
1210-10-16	5/8	10	1	47.6	77
1210-12-12	3/4	12	3/4	41.3	74
1210-12-16	3/4	12	1	47.6	90
1210-16-12	1	16	3/4	41.3	101
1210-16-16	1	16	1	47.6	86
1210-16-20	1	16	1.1/4	54	112
1210-20-20	1.1/4	20	1.1/4	54	107
1210-20-24	1.1/4	20	1.1/2	63.5	149
1210-24-24	1.1/2	24	1.1/2	63.5	122
1210-24-32	1.1/2	24	2	79.4	163
1210-32-32	2	32	2	79.4	145

FS6L

90° SAE Flange 6000 Psi - Long Drop

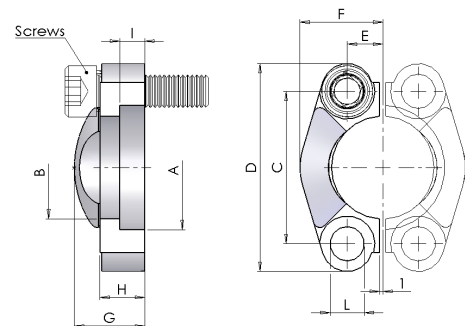


Part number	Hose I.D.	Dimensions			
		dash size	Flange T	mm	Cut-Off C
FS6L-08-08	1/2	08	1/2	32	40
FS6L-12-12	3/4	12	3/4	41.3	56
FS6L-16-16	1	16	1	47.6	70
FS6L-20-20	1.1/4	20	1.1/4	54	82
FS6L-24-24	1.1/2	24	1.1/2	63.5	99

S006

Cut Split Flanges - 6000 psi

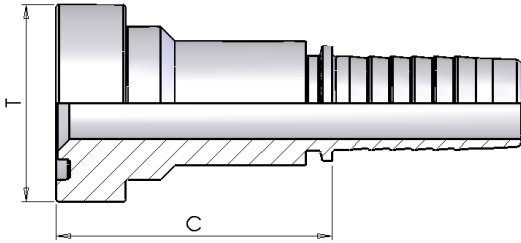
This product is sold in pairs



Part number	Dimensions										
	A	B	C	D	Hex E	F	G	I	L	Drop H	Sae SIZE
S006-08	32.54	24.6	40.5	56	9.1	23.6	22	7.2	88	16	1/2"
S006-12	42.06	32.5	50.8	71	11.9	30	28	8.3	11	19	3/4"
S006-16	48.41	38.9	57.2	81	13.9	34.8	33	9	13	24	1"
S006-20	54.76	44.5	66.7	95	15.9	38.6	38	9.8	15	27	1"1/4
S006-24	64.29	51.6	79.4	113	18.3	47.5	43	12.1	17	30	1"1/2
S006-32	80.16	67.6	96.8	133	22.2	56.9	52	12.1	21	37	2"

130S

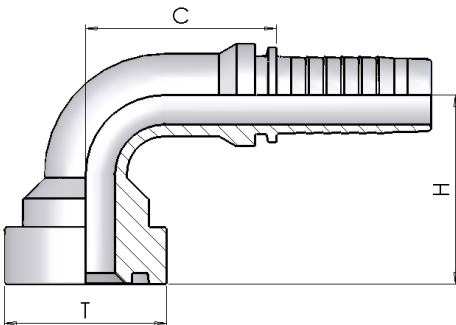
Straight 'CAT' Flange



Part number	Hose I.D.		Dimensions			
			dash	Flange		Cut-Off
	in	mm	size	T	mm	C
130S-12-12	3/4	19	12	3/4	41.3	58
130S-12-16	3/4	19	12	1	47.6	64
130S-16-16	1	25.4	16	1	47.6	65
130S-16-20	1	25.4	16	1.1/4	54	73
130S-20-20	1.1/4	31.8	20	1.1/4	54	74
130S-20-24	1.1/4	31.8	20	1.1/2	63.5	78
130S-24-24	1.1/2	38.1	24	1.1/2	63.5	80

110S

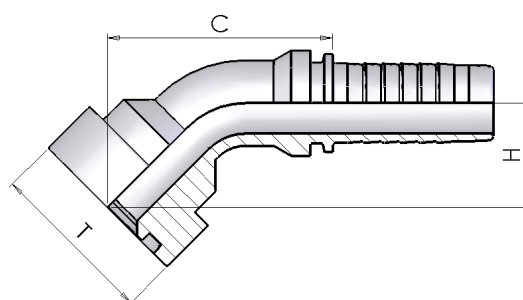
90° 'CAT' Flange



Part number	Hose I.D.		Dimensions				
			dash	Flange		Cut-Off	Drop
	in	mm	size	T	mm	C	H
110S-12-12	3/4	19	12	3/4	41.3	56	62
110S-12-16	3/4	19	12	1	47.6	56	65
110S-16-16	1	25.4	16	1	47.6	78	74
110S-16-20	1	25.4	16	1.1/4	54	78	80
110S-20-20	1.1/4	31.8	20	1.1/4	54	97	90
110S-20-24	1.1/4	31.8	20	1.1/2	63.5	96	95
110S-24-24	1.1/2	38.1	24	1.1/2	63.5	115	104

120S

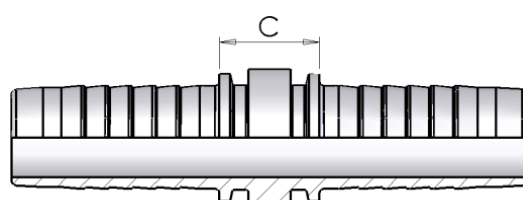
45° 'CAT' Flange



Part number	Hose I.D.		Dimensions				
			dash size	Flange T	mm	Cut-Off C	Drop H
	in	mm					
120S-12-12	3/4	19	12	3/4	41.3	88	32
120S-12-16	3/4	19	12	1	47.6	93	37
120S-16-16	1	25.4	16	1	47.6	118	40
120S-16-20	1	25.4	16	1.1/4	54	122	44
120S-20-20	1.1/4	31.8	20	1.1/4	54	146	44
120S-20-24	1.1/4	31.8	20	1.1/2	63.5	149	48
120S-24-24	1.1/2	38.1	24	1.1/2	63.5	172	52

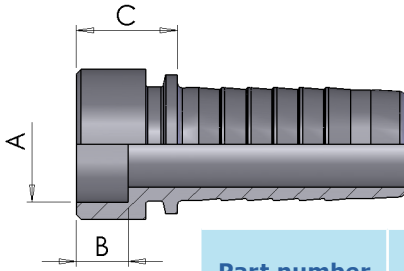
D050

Hose Junction



Part number	Hose I.D.		Dimensions	
			dash size	Cut-Off C
	in	mm		
D050-03	3/16	4.8	03	17
D050-04	1/4	6.4	04	17
D050-05	5/16	7.9	05	17
D050-06	3/8	9.5	06	17
D050-08	1/2	12.7	08	18
D050-10	5/8	15.9	10	18
D050-12	3/4	19	12	19
D050-16	1	25.4	16	21
D050-20	1.1/4	31.8	20	24
D050-24	1.1/2	38.1	24	24
D050-32	2	50.8	32	26

GS00



Weldable Fitting

without zinc plating

Part number	Hose I.D.		Dimensions			
			dash	Cut-Off		
	in	mm	size	C	A	B
GS00-03-06	3/16	4,8	03	12	06	6
GS00-03-08	3/16	4,8	03	12	08	6
GS00-04-06	1/4	6.4	04	14	06	6
GS00-04-08	1/4	6.4	04	14	08	6
GS00-04-10	1/4	6.4	04	15	10	6
GS00-04-12	1/4	6.4	04	17	12	7
GS00-05-08	5/16	7,9	05	14	08	6
GS00-05-10	5/16	7,9	05	14	10	6
GS00-05-12	5/16	7,9	05	14	12	6
GS00-06-06	3/8	9.5	06	15	06	6
GS00-06-08	3/8	9.5	06	15	08	6
GS00-06-10	3/8	9.5	06	14	10	6
GS00-06-12	3/8	9.5	06	15	12	7
GS00-06-14	3/8	9.5	06	15	14	8
GS00-06-15	3/8	9.5	06	14	15	7
GS00-08-12	1/2	12.7	08	15	12	7
GS00-08-14	1/2	12.7	08	15	14	8
GS00-08-15	1/2	12.7	08	15	15	7
GS00-08-16	1/2	12.7	08	15	16	7
GS00-08-18	1/2	12.7	08	15	18	7
GS00-08-20	1/2	12.7	08	18	20	9
GS00-10-12	5/8	15.9	10	15	12	7
GS00-10-16	5/8	15.9	10	16	16	8
GS00-10-18	5/8	15.9	10	16	18	8
GS00-10-20	5/8	15.9	10	18	20	9
GS00-10-22	5/8	15.9	10	18	22	9
GS00-12-16	3/4	19	12	16	16	8
GS00-12-18	3/4	19	12	16	18	8
GS00-12-20	3/4	19	12	18	20	9
GS00-12-22	3/4	19	12	18	22	9
GS00-12-25	3/4	19	12	19	25	9
GS00-12-32	3/4	19	12	20	32	9
GS00-16-25	1	25.4	16	19	25	9
GS00-16-28	1	25.4	16	20	28	9
GS00-16-30	1	25.4	16	20	30	9
GS00-16-32	1	25.4	16	20	32	9
GS00-16-38	1	25.4	16	26	38	11
GS00-20-30	1.1/4	31.8	20	21	30	9
GS00-20-32	1.1/4	31.8	20	21	32	9
GS00-20-35	1.1/4	31.8	20	23	35	11
GS00-20-38	1.1/4	31.8	20	24	38	11
GS00-24-32	1.1/2	38.1	24	23	32	9
GS00-24-38	1.1/2	38.1	24	23	38	11
GS00-24-42	1.1/2	38.1	24	23	42	10
GS00-24-50	1.1/2	38.1	24	23	50	10
GS00-32-50	2	50.8	32	23	50	10

Inter-lock Tail





004N



Swaged Ferrule
(skive)

103

0013



Swaged Ferrule
(skive)

113



0370H



NPTF Male 60° cone

104



0350H



BSP Male Parallel 60°
cone

104

0050H



BSP Female 60° cone
Thrust Wire

105

0150H



BSP 90° Swept Elbow
60° cone Thrust Wire

105

0250H



BSP 45° Swept Elbow
60° cone Thrust Wire

106



0850H



JIC Male 74° cone

106



0900H



JIC Female 74° cone
Thrust Wire

107

0950H



JIC 90° Swept Elbow
74° cone Thrust Wire

107

1000H



JIC 45° Swept Elbow
74° cone Thrust Wire

108



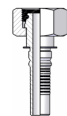
0450H



Metric Male 24° Seat
Heavy

108

0084H



Metric Female 24°
Seat Heavy

109



0184H



90° Metric Swept El-
bow 24° Seat Heavy

109

0284H



45° Metric Swept El-
bow 24° Seat Heavy

101



S050H



ORFS Female

110

S05TH



ORFS Female Back
Hexagon

111

S150H



ORFS 90° Swept Elbow

111

S250H



ORFS 45° Swept Elbow

112

S350H



ORFS Male

112



1250H



Straight SAE Flange 3000 PSI

113

1050H



90° SAE Flange 3000 PSI

113

1150H



45° SAE Flange 3000 PSI

114

1300H



Straight SAE Flange 6000 PSI

114

1100H



90° SAE Flange 6000 PSI

115

1200H



45° SAE Flange 6000 PSI

115

Super CAT

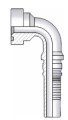
130SH



Straight 'CAT' Flange

116

110SH



90° 'CAT' Flange

116

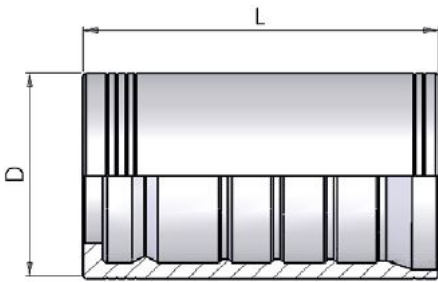
120SH



45° 'CAT' Flange

117

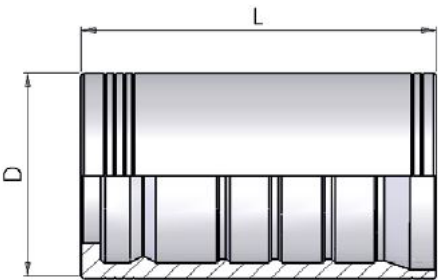
004N



Swaged Ferrule (Skive)

Part number	Hose I.D.		Dimensions		Skive
	in	mm	D	L	Lenght
004N-12	3/4	19.0	38	60	52/15
004N-16	1	25.4	46	74.5	64/17
004N-20	1.1/4	31.8	55	88	74/22
004N-24	1.1/2	38.1	62	94	81/22,5
004N-32	2	50.8	78	99	85/30

0013

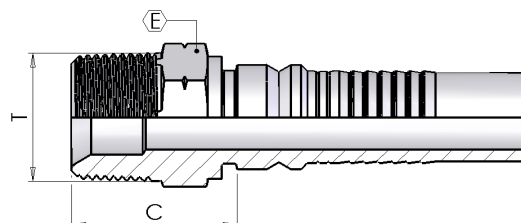


Swaged Ferrule (Skive)

Part number	Hose I.D.		Dimensions		Skive
	in	mm	D	L	Lenght
0013-20	1.1/4	31.8	60	88	74/22
0013-24	1.1/2	38.1	67	94	81/22,5
0013-32	2	50.8	84.5	99	85/30

0370H

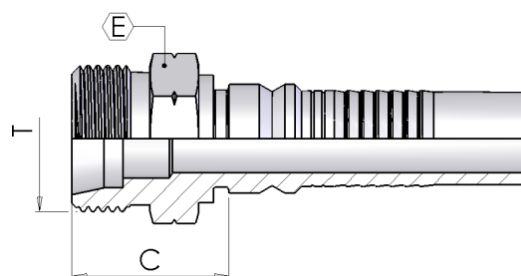
NPTF Male 60° Cone



Part number	Hose I.D.		Dimensions			
	in	mm	Dash size	Thread T	Hex E	Cut-Off C
0370H12-12	3/4	19.0	12	3/4-14	27	35
0370H16-16	1	25.4	16	1-11.1/2	36	41
0370H20-20	1.1/4	31.8	20	1.1/4-11.1/2	46	44
0370H24-24	1.1/2	38.1	24	1.1/2-11.1/2	50	47
0370H32-32	2	50.8	32	2-11.1/2	65	54

0350H

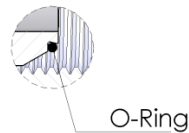
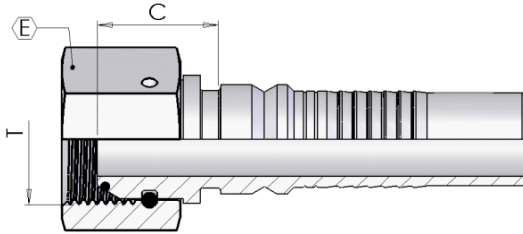
BSP Male Parallel 60° Cone



Part number	Hose I.D.		Dimensions			
	in	mm	Dash size	Thread T	Hex E	Cut-Off C
0350H12-12	3/4	19.0	12	3/4-14	32	33
0350H12-16	3/4	19.0	12	1-11	41	36
0350H16-16	1	25.4	16	1-11	41	37
0350H16-20	1	25.4	16	1.1/4-11	50	41
0350H20-20	1.1/4	31.8	20	1.1/4-11	50	42
0350H24-24	1.1/2	38.1	24	1.1/2-11	55	44
0350H32-32	2	50.8	32	2-11	70	53

0050H

BSP Female 60° Cone - Thrust Wire

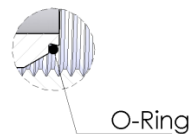
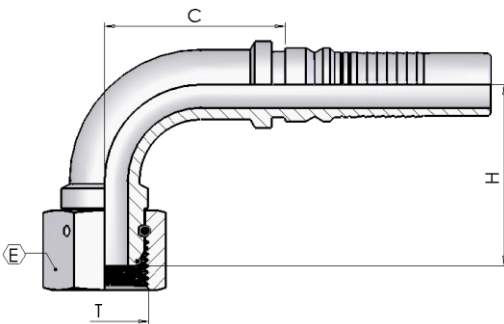


(*)- BSP female with O-Ring

Part number	Hose I.D.		Dimensions			
	in	mm	Dash size	Thread T	Hex E	Cut-Off C
(*) 0050H12-12	3/4	19.0	12	3/4-14	32	23
(*) 0050H12-16	3/4	19.0	12	1-11	38	25
(*) 0050H16-16	1	25.4	16	1-11	38	26
(*) 0050H20-20	1.1/4	31.8	20	1.1/4-11	50	29
(*) 0050H20-24	1.1/4	31.8	20	1.1/2-11	55	31
(*) 0050H24-24	1.1/2	38.1	24	1.1/2-11	55	31
(*) 0050H32-32	2	50.8	32	2-11	70	30

0150H

BSP 90° Swept Elbow 60° Cone - Thrust Wire



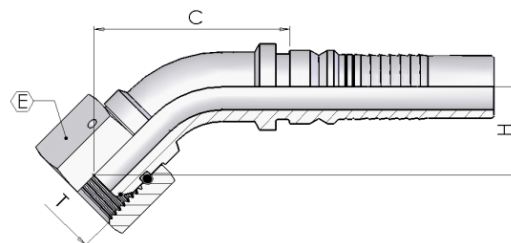
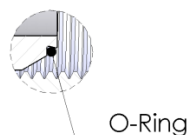
(*)- BSP female with O-Ring

Part number	Hose I.D.		Dimensions				
	in	mm	Dash size	Thread T	Hex E	Drop H	Cut-Off C
(*) 0150H12-12	3/4	19.0	12	3/4-14	32	57	54
(*) 0150H16-16	1	25.4	16	1-11	38	70	73
(*) 0150H16-20	1	25.4	16	1.1/4-11	50	76	73
(*) 0150H20-20	1.1/4	31.8	20	1.1/4-11	50	83	93
(*) 0150H24-24	1.1/2	38.1	24	1.1/2-11	55	104	111
(*) 0150H32-32	2	50.8	32	2-11	70	135	122

0250H

BSP 45° Swept Elbow 60° Cone - Thrust Wire

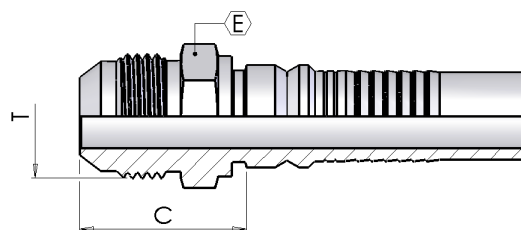
(*)- BSP female with O-Ring



Part number	Hose I.D.		Dimensions				
	in	mm	Dash size	Thread T	Hex E	Drop H	Cut-Off C
(*) 0250H12-12	3/4	19.0	12	3/4-14	32	28	84
(*) 0250H16-16	1	25.4	16	1-11	38	38	112
(*) 0250H20-20	1.1/4	31.8	20	1.1/4-11	50	41	137
(*) 0250H24-24	1.1/2	38.1	24	1.1/2-11	55	54	166
(*) 0250H32-32	2	50.8	32	2-11	70	70	195

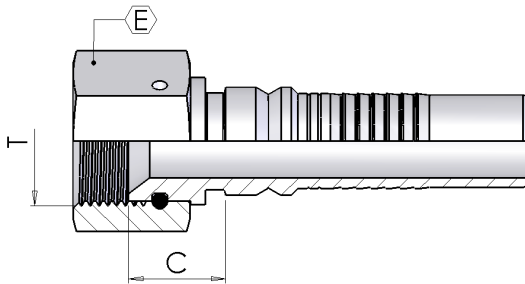
0850H

JIC Male 74° Cone



Part number	Hose I.D.		Dimensions			
	in	mm	Dash size	Thread T	Hex E	Cut-Off C
0850H12-12	3/4	19.0	12	1.1/16-12	27	36
0850H16-16	1	25.4	16	1.5/16-12	34	40
0850H20-20	1.1/4	31.8	20	1.5/8-12	42	44
0850H24-24	1.1/2	38.1	24	1.7/8-12	50	49
0850H32-32	2	50.8	32	2.1/2-12	65	61

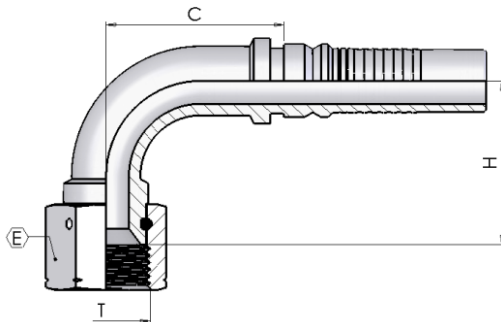
0900H



JIC Female 74° Cone - Thrust Wire

Part number	Hose I.D.		Dimensions			
	in	mm	Dash size	Thread T	Hex E	Cut-Off C
0900H12-12	3/4	19.0	12	1.1/16-12	32	19
0900H12-16	3/4	19.0	12	1.5/16-12	41	22
0900H16-16	1	25.4	16	1.5/16-12	41	23
0900H20-20	1.1/4	31.8	20	1.5/8-12	50	26
0900H24-24	1.1/2	38.1	24	1.7/8-12	55	29
0900H32-32	2	50.8	32	2.1/2-12	70	30

0950H

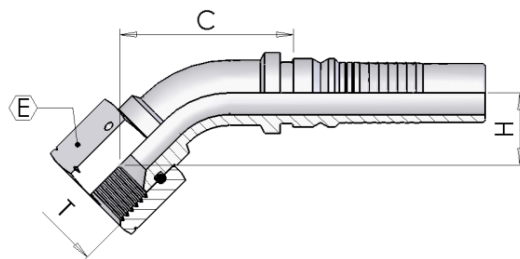


JIC 90° Swept Elbow 74° Cone - Thrust Wire

Part number	Hose I.D.		Dimensions				
	in	mm	Dash size	Thread T	Hex E	Drop H	Cut-Off C
0950H12-12	3/4	19.0	12	1.1/16-12	32	54	54
0950H12-16	3/4	19.0	12	1.5/16-12	41	62	54
0950H16-16	1	25.4	16	1.5/16-12	41	66	77
0950H20-20	1.1/4	31.8	20	1.5/8-12	50	86	92
0950H24-24	1.1/2	38.1	24	1.7/8-12	55	100	112
0950H32-32	2	50.8	32	2.1/2-12	70	134	121

1000H

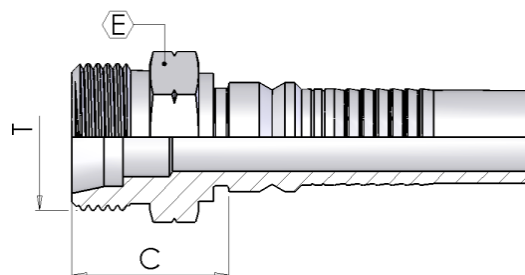
JIC 45° Swept Elbow 74° Cone - Thrust Wire



Part number	Hose I.D.		Dimensions				
	in	mm	Dash size	Thread T	Hex E	Drop H	Cut-Off C
1000H12-12	3/4	19.0	12	1.1/16-12	32	28	85
1000H12-16	3/4	19.0	12	1.5/16-12	41	32	88
1000H16-16	1	25.4	16	1.5/16-12	41	36	113
1000H20-20	1.1/4	31.8	20	1.5/8-12	50	50	133
1000H24-24	1.1/2	38.1	24	1.7/8-12	55	49	165
1000H32-32	2	50.8	32	2.1/2-12	70	67	194

0450H

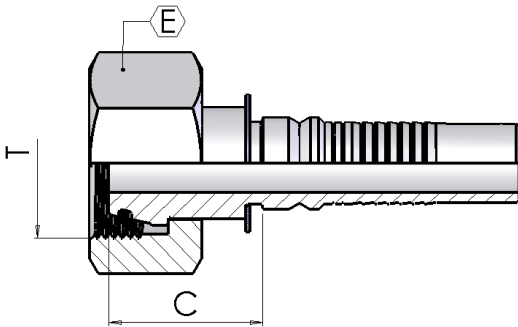
Metric Male 24° - Seat Heavy



Part number	Hose I.D.		Dimensions				
	in	mm	Dash size	Thread T	Erm	Hex E	Cut-Off C
0450H12-36	3/4	19.0	12	M36-2	25	36	36
0450H16-42	1	25.4	16	M42-2	30	46	39
0450H20-52	1.1/4	31.8	20	M52-2	38	55	42
0450H24-52	1.1/2	38.1	24	M52-2	38	55	42.5

0084H

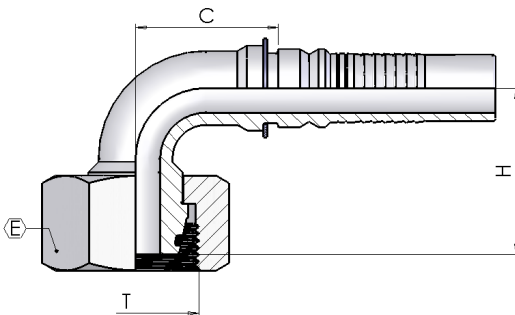
**Metric Female 24°
- Seat Heavy**



Part number	Hose I.D.		Dimensions				
	in	mm	Dash size	Thread T	Erm	Hex E	Cut-Off C
0084H12-36	3/4	19.0	12	M36-2	25	46	37
0084H16-36	1	25.4	16	M36-2	25	46	38
0084H16-42	1	25.4	16	M42-2	30	50	41
0084H20-52	1.1/4	31.8	20	M52-2	38	60	41
0084H24-52	1.1/2	38.1	24	M52-2	38	60	42

0184H

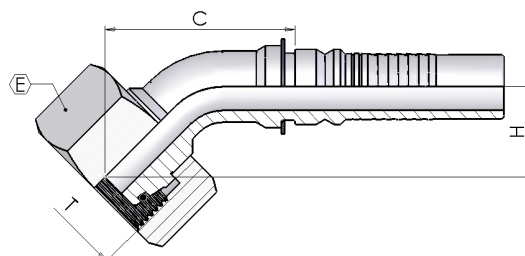
**90° Metric Swept Elbow 24°
- Seat Heavy**



Part number	Hose I.D.		Dimensions					
	in	mm	Dash size	Thread T	Erm	Hex E	Drop H	Cut-Off C
0184H12-36	3/4	19.0	12	M36-2	25	46	58	55
0184H16-36	1	25.4	16	M36-2	25	46	68	75
0184H16-42	1	25.4	16	M42-2	30	50	69	74
0184H20-52	1.1/4	31.8	20	M52-2	38	60	81	94

0284H

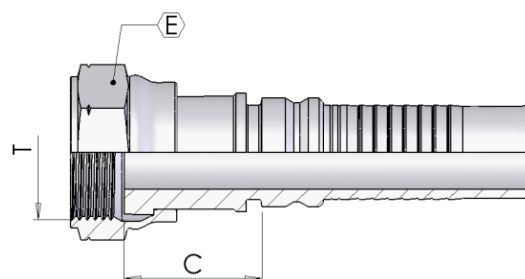
45° Metric Swept Elbow 24° - Seat Heavy



Part number	Hose I.D.		Dimensions					
	in	mm	Dash size	Thread T	Erm	Hex E	Drop H	Cut-Off C
0284H12-36	3/4	19.0	12	M36-2	25	46	31	94
0284H16-36	1	25.4	16	M36-2	25	46	34	110
0284H16-42	1	25.4	16	M42-2	30	50	33	112
0284H20-52	1.1/4	31.8	20	M52-2	38	60	81	93

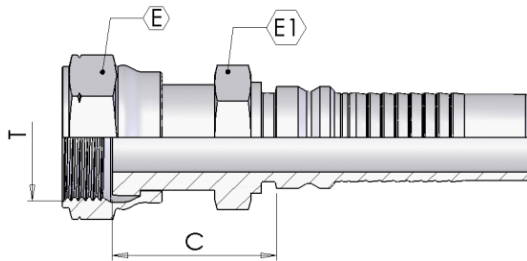
S050H

ORFS Female



Part number	Hose I.D.		Dimensions			
	in	mm	Dash size	Thread T	Hex E	Cut-Off C
S050H12-14	3/4	19.0	12	1.3/16-12	36	33
S050H16-15	1	25.4	16	1.7/16-12	41	37
S050H16-21	1	25.4	16	1.11/16-12	50	35.5
S050H20-21	1.1/4	31.8	20	1.11/16-12	50	37
S050H20-32	1.1/4	31.8	20	2-12	60	36.7
S050H24-32	1.1/2	38.1	24	2-12	60	41

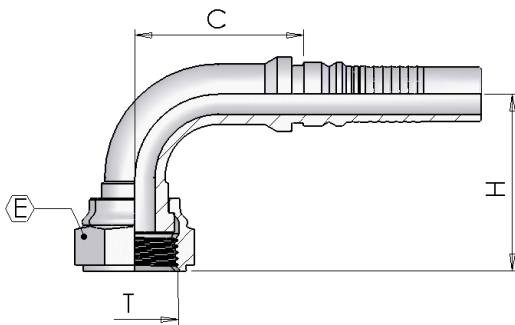
S05TH



ORFS Female Back Hexagon

Part number	Hose I.D.		Dimensions				
	in	mm	Dash size	Thread T	Hex		Cut-Off C
S05TH12-14	3/4	19.0	12	1.3/16-12	E	E1	C
S05TH16-15	1	25.4	16	1.7/16-12	41	36	47
S05TH20-21	1.1/4	31.8	20	1.11/16-12	50	46	50

S150H

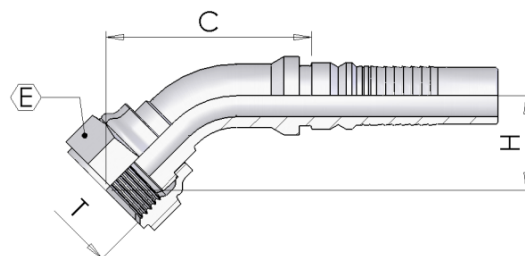


ORFS 90° Swept Elbow

Part number	Hose I.D.		Dimensions				
	in	mm	Dash size	Thread T	Hex E	Drop H	Cut-Off C
S150H12-14	3/4	19.0	12	1.3/16-12	36	49	54
S150H16-15	1	25.4	16	1.7/16-12	41	66	69
S150H20-21	1.1/4	31.8	20	1.11/16-12	50	80	87
S150H24-32	1.1/2	38.1	24	2-12	60	102	111

S250H

ORFS 45° Swept Elbow

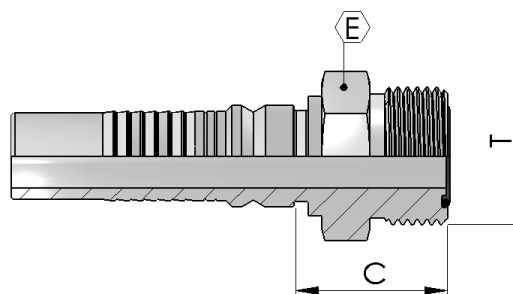


Part number	Hose I.D.		Dimensions				
	in	mm	Dash size	Thread T	Hex E	Drop H	Cut-Off C
S250H12-14	3/4	19.0	12	1.3/16-12	36	23	84
S250H16-15	1	25.4	16	1.7/16-12	41	33	107
S250H20-21	1.1/4	31.8	20	1.11/16-12	50	37	130
S250H24-32	1.1/2	38.1	24	2-12	60	50	165

Dado Libero

S350H

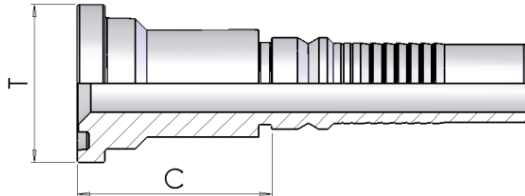
ORFS Male



Part number	Hose I.D.		Dimensions			
	in	mm	Dash size	Thread T	Hex E	Cut-Off C
S350H12-14	3/4	19.0	12	1.3/16-12	32	34
S350H16-15	1	25.4	16	1.7/16-12	38	35
S350H20-21	1.1/4	31.8	20	1.11/16-12	46	36

1250H

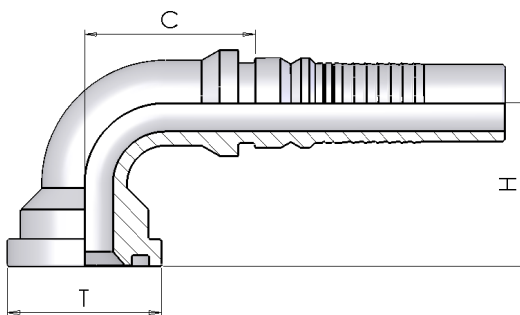
Straight SAE Flange 3000 PSI



Part number	Hose I.D.		Dimensions			
	in	mm	Dash size	Flange		Cut-Off C
				T	mm	
1250H12-12	3/4	19.0	12	3/4	38.1	47
1250H12-16	3/4	19.0	12	1	44.5	50
1250H16-16	1	25.4	16	1	44.5	52
1250H16-20	1	25.4	16	1.1/4	50.8	55
1250H20-20	1.1/4	31.8	20	1.1/4	50.8	56
1250H20-24	1.1/4	31.8	20	1.1/2	60.3	59
1250H24-24	1.1/2	38.1	24	1.1/2	60.3	60
1250H24-32	1.1/2	38.1	24	2	71.4	65
1250H32-32	2	50.8	32	2	71.4	67

1050H

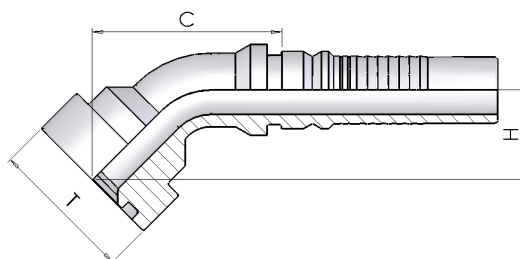
90° SAE Flange 3000 PSI



Part number	Hose I.D.		Dimensions				
	in	mm	Dash size	Flange		Drop H	Cut-Off C
				T	mm		
1050H12-12	3/4	19.0	12	3/4	38.1	52	52
1050H12-16	3/4	19.0	12	1	44.5	56	55
1050H16-16	1	25.4	16	1	44.5	65	73
1050H16-20	1	25.4	16	1.1/4	50.8	71	69
1050H20-20	1.1/4	31.8	20	1.1/4	50.8	78	93
1050H20-24	1.1/4	31.8	20	1.1/2	60.3	80	97
1050H24-24	1.1/2	38.1	24	1.1/2	60.3	95	100
1050H24-32	1.1/2	38.1	24	2	71.4	101	134
1050H32-32	2	50.8	32	2	71.4	121	122

1150H

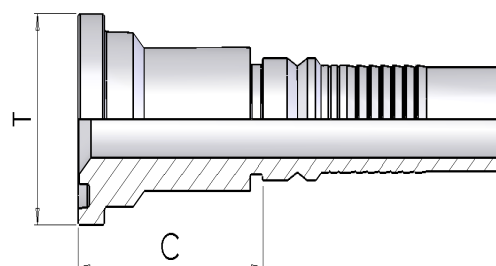
45° SAE Flange 3000 PSI



Part number	Hose I.D.		Dimensions				
	in	mm	Dash size	Flange T	mm	Drop H	Cut-Off C
1150H12-12	3/4	19.0	12	3/4	38.1	25	81
1150H12-16	3/4	19.0	12	1	44.5	28	86
1150H16-16	1	25.4	16	1	44.5	35	107
1150H16-20	1	25.4	16	1.1/4	50.8	37	113
1150H20-20	1.1/4	31.8	20	1.1/4	50.8	37	136
1150H20-24	1.1/4	31.8	20	1.1/2	60.3	40	136
1150H24-24	1.1/2	38.1	24	1.1/2	60.3	44	159
1150H24-32	1.1/2	38.1	24	2	71.4	47	159
1150H32-32	2	50.8	32	2	71.4	56	182

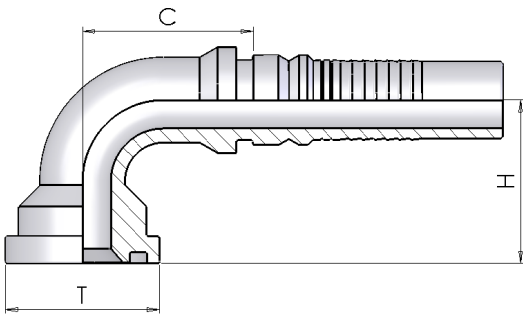
1300H

Straight SAE Flange 6000 PSI



Part number	Hose I.D.		Dimensions			
	in	mm	Dash size	Flange T	mm	Cut-Off C
1300H12-12	3/4	19.0	12	3/4	41.3	51
1300H12-16	3/4	19.0	12	1	47.6	57
1300H16-12	1	25.4	16	3/4	41.3	52
1300H16-16	1	25.4	16	1	47.6	59
1300H16-20	1	25.4	16	1.1/4	54	66
1300H20-16	1.1/4	31.8	20	1	47.6	60
1300H20-20	1.1/4	31.8	20	1.1/4	54	67
1300H20-24	1.1/4	31.8	20	1.1/2	63.5	73
1300H24-20	1.1/2	38.1	24	1.1/4	54	75
1300H24-24	1.1/2	38.1	24	1.1/2	63.5	74
1300H24-32	1.1/2	38.1	24	2	79.4	82
1300H32-32	2	50.8	32	2	79.4	84

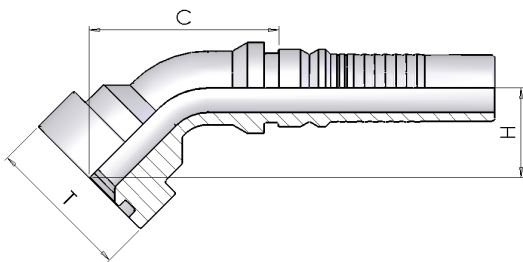
1100H



90° SAE Flange 6000 PSI

Part number	Hose I.D.		Dash size	Dimensions			
	in	mm		Flange T	mm	Drop H	Cut-Off C
1100H12-12	3/4	19.0	12	3/4	41.3	55	53
1100H12-16	3/4	19.0	12	1	47.6	63	52
1100H16-12	1	25.4	16	3/4	41.3	66	73
1100H16-16	1	25.4	16	1	47.6	72	74
1100H16-20	1	25.4	16	1.1/4	54	79.5	73
1100H20-16	1.1/4	31.8	20	1	47.6	80	93
1100H20-20	1.1/4	31.8	20	1.1/4	54	84,5	93
1100H20-24	1.1/4	31.8	20	1.1/2	63.5	90	98
1100H24-24	1.1/2	38.1	24	1.1/2	63.5	101	114
1100H24-32	1.1/2	38.1	24	2	79.4	115	115
1100H32-32	2	50.8	32	2	79.4	138	124

1200H

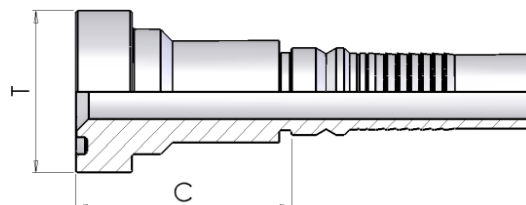


45° SAE Flange 6000 PSI

Part number	Hose I.D.		Dash size	Dimensions			
	in	mm		Flange T	mm	Drop H	Cut-Off C
1200H12-12	3/4	19.0	12	3/4	41.3	28	85
1200H12-16	3/4	19.0	12	1	47.6	34	88
1200H16-12	1	25.4	16	3/4	41.3	35	107
1200H16-16	1	25.4	16	1	47.6	34	112
1200H16-20	1	25.4	16	1.1/4	54	40	117
1200H20-16	1.1/4	31.8	20	1	47.6	42	117
1200H20-20	1.1/4	31.8	20	1.1/4	54	43	139
1200H20-24	1.1/4	31.8	20	1.1/2	63.5	48	144
1200H24-24	1.1/2	38.1	24	1.1/2	63.5	50	167
1200H24-32	1.1/2	38.1	24	2	79.4	64	166
1200H32-32	2	50.8	32	2	79.4	72	200

130SH

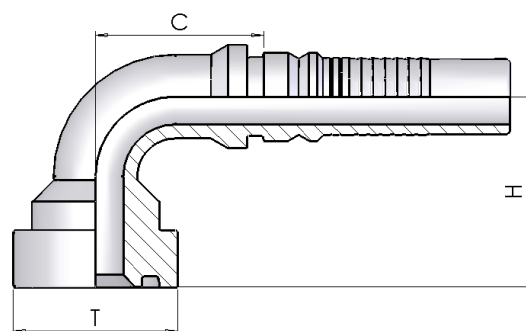
Straight 'CAT' Flange



Part number	Hose I.D.		Dash size	Dimensions		Cut-Off C
	in	mm		Flange T	mm	
130SH12-12	3/4	19.0	12	3/4	41.3	55
130SH12-16	3/4	19.0	12	1	47.6	62
130SH16-16	1	25.4	16	1	47.6	63
130SH16-20	1	25.4	16	1.1/4	54	70
130SH20-20	1.1/4	31.8	20	1.1/4	54	71
130SH24-24	1,1/2	38.1	24	1.1/2	64	78

110SH

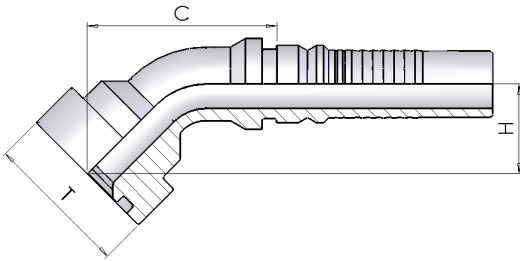
90° 'CAT' Flange



Part number	Hose I.D.		Dash size	Dimensions		Drop H	Cut-Off C
	in	mm		Flange T	mm		
110SH12-12	3/4	19.0	12	3/4	41.3	62	51
110SH16-16	1	25.4	16	1	47.6	75	73.2
110SH16-20	1	25.4	16	1.1/4	54	82	74
110SH20-20	1.1/4	31.8	20	1.1/4	54	89	93
110SH24-24	1,1/2	38.1	24	1.1/2	63.5	100	115

120SH

45° 'CAT' Flange



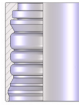
Part number	Hose I.D.		Dimensions				
	in	mm	Dash size	Flange T	mm	Drop H	Cut-Off C
120SH12-12	3/4	19.0	12	3/4	41.3	30	89
120SH16-16	1	25.4	16	1	47.6	38	115
120SH20-20	1.1/4	31.8	20	1.1/4	54	47	142
120SH24-24	1,1/2	38.1	24	1.1/2	63.5	52	169

Hyblast
Tail

in!



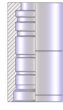
00S4



Swaged Ferrule
(skive)

119

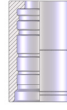
00Y4



Swaged Ferrule
(skive)

119

00Y6



Swaged Ferrule
(skive)

120



0050W

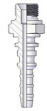


BSP Female 60° cone
Thrust Wire

120



0350W



BSP Male Parallel 60°
cone

120



0370W



NPTF Male 60° cone

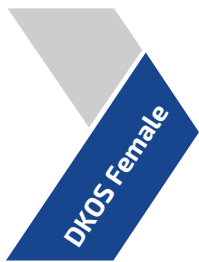
121

0370Y

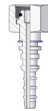


NPTF Male 60° cone

121



0084W



Metric Female 24°
Seat Heavy

122

0084Y

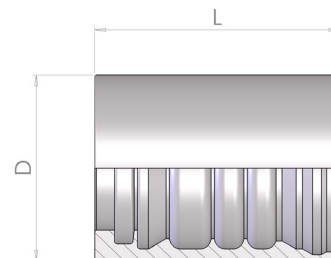


Metric Female 24°
Seat Heavy

122

00S4

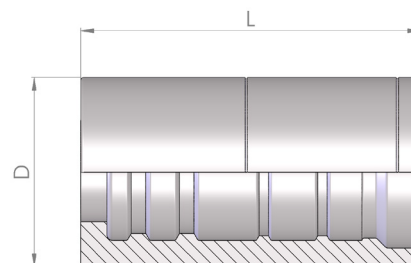
Swaged Ferrule (Skive)



Part number	Hose I.D.		Dimensions	
	in	mm	D	L
00S4-06	3/8	9.5	28	45.5
00S4-08	1/2	12.7	33	50.3
00S4-12	3/4	19	41	56
00S4-16	1	25.4	51	67.2

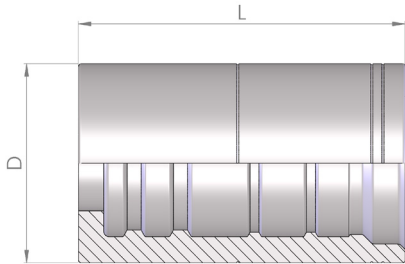
00Y4

Swaged Ferrule (Skive)



Part number	Hose I.D.		Dimensions	
	in	mm	D	L
00Y4-06	3/8	9.5	32.5	58.5
00Y4-08	1/2	12.7	36.5	62
00Y4-12	3/4	19	43.8	69

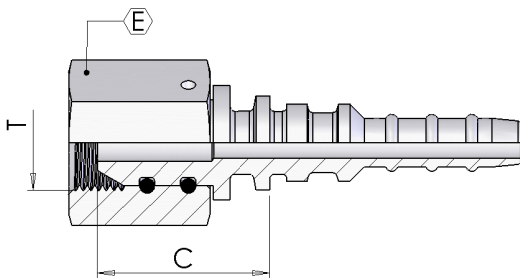
00Y6



Swaged Ferrule (Skive)

Part number	Hose I.D.		Dimensions	
	in	mm	D	L
00Y6-06	3/8	9.5	35.5	58.5
00Y6-08	1/2	12.7	39.8	62
00Y6-12	3/4	19	47	69

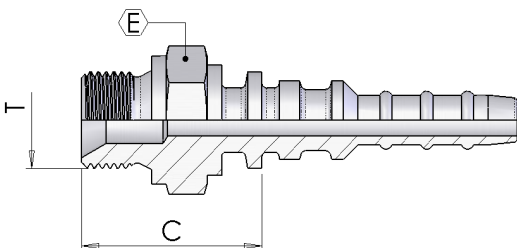
0050W



BSP Female 60° Cone - Thrust Wire

Part number	Hose I.D.		Dimensions			
	in	mm	Dash size	Thread T	Hex E	Cut-Off C
0050W08-08	1/2	12.7	08	1/2-14	30	33
0050W12-12	3/4	19	12	3/4-14	32	37
0050W16-16	1	25.4	16	1-11	38	40

0350W

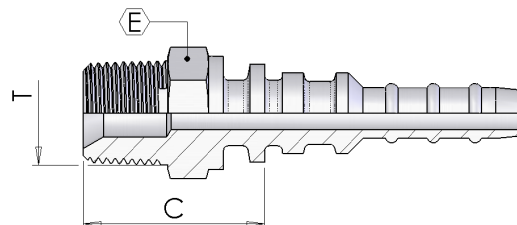


BSP Male Parallel 60° Cone

Part number	Hose I.D.		Dimensions			
	in	mm	Dash size	Cut-Off C	T	E
0350W08-08	1/2	12.7	08	36	1/2-14	27
0350W12-12	3/4	19	12	39	3/4-14	32

0370W

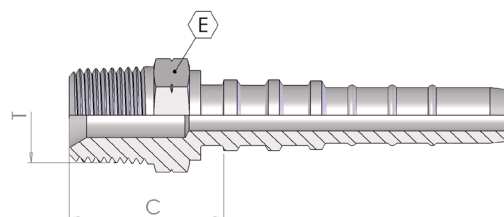
NPTF Male 60° Cone



Part number	Hose I.D.		Dimensions			
	in	mm	Dash size	Cut-Off C	T	E
0370W06-06	3/8	9.5	06	30	3/8-18	19
0370W08-08	1/2	12.7	08	39	1/2-14	22
0370W12-12	3/4	19	12	40	3/4-14	27
0370W16-16	1	25.4	16	49	1-11.1/2	38

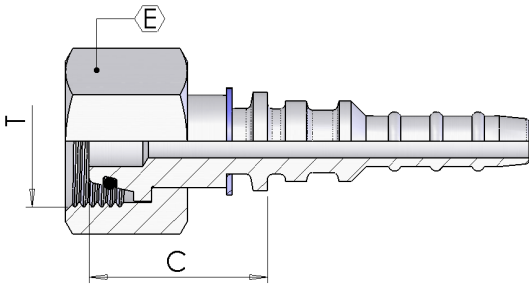
0370Y

NPTF Male 60° Cone



Part number	Hose I.D.		Dimensions			
	in	mm	Dash size	Cut-Off C	T	E
0370Y06-06	3/8	9.5	06	29	3/8-18	19
0370Y08-08	1/2	12.7	08	35	1/2-14	22
0370Y12-12	3/4	19	12	37	3/4-14	27

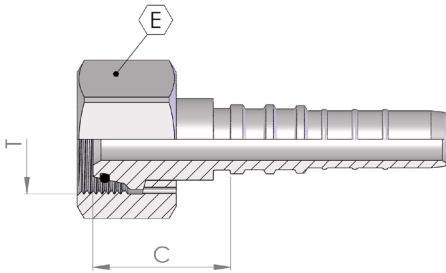
0084W



Metric Female 24° - Seat Heavy

Part number	Hose I.D.		Dimensions				
	in	mm	Dash size	Erm	Cut-Off C	T	E
0084W06-20	3/8	9.5	06	12	29	M20-1.5	24
0084W06-22	3/8	9.5	06	14	31	M22-1.5	27
0084W06-24	3/8	9.5	06	16	31	M24-1.5	30
0084W08-24	1/2	12.7	08	16	33	M24-1.5	30
0084W12-36	3/4	19	12	25	43	M36-2	46

0084Y



Metric Female 24° - Seat Heavy

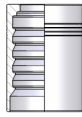
Part number	Hose I.D.		Dimensions				
	in	mm	Dash size	Erm	Cut-Off C	T	E
0084Y06-24	3/8	9.5	06	16	39	M24-1.5	32
0084Y08-24	1/2	12.7	08	16	39	M24-1.5	34
0084Y12-36	3/4	19	12	25	45	M36-2	46

Multispiral Tail

in!



0019



Swaged Ferrule
(skive)

125



0350M



BSP Male Parallel 60°
cone

125

0050M



BSP Female 60° cone
Thrust Wire

126

0150M



BSP 90° Swept Elbow
60° cone Thrust Wire

126

0250M



BSP 45° Swept Elbow
60° cone Thrust Wire

127



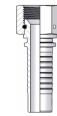
0850M



JIC Male 74° cone

127

0900M



JIC Female 74° cone
Thrust Wire

128

0950M



JIC 90° Swept Elbow
74° cone Thrust Wire

128

1000M



JIC 45° Swept Elbow
74° cone Thrust Wire

129



0370M



NPTF Male 60° cone

129



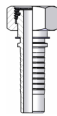
0450M



Metric Male 24° Seat
Heavy

130

0084M



Metric Female 24°
Seat Heavy

130

0184M



90° Metric Swept El-
bow 24° Seat Heavy

131

0284M



45° Metric Swept El-
bow 24° Seat Heavy

131



1250M



Straight SAE Flange
3000 PSI

132

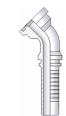
1050M



90° SAE Flange 3000
PSI

132

1150M



45° SAE Flange 3000
PSI

133

1300M



Straight SAE Flange
6000 PSI

133

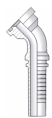
1100M



90° SAE Flange 6000
PSI

134

1200M



45° SAE Flange 6000 PSI

134



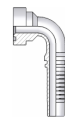
130SM



Straight 'CAT' Flange

135

110SM



90° 'CAT' Flange

135

120SM

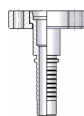


45° 'CAT' Flange

136



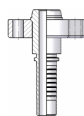
F432M - F434M



POCLAIN Male Flange

136

F032M - F034M



POCLAIN Female Flange

137

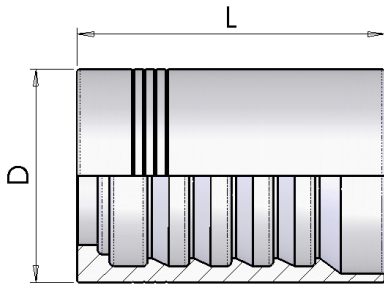
F132M - F134M



90°POCLAIN Female Flange

137

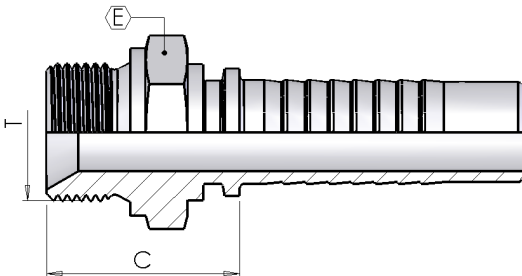
0019



Swaged Ferrule (Skive)

Part number	Hose I.D.		Dimensions		Skive
	in	mm	D	L	Length
0019-04	1/4	6.4	21	40	30
0019-06	3/8	9.5	25.4	43	31
0019-08	1/2	12.7	30	45	34
0019-10	5/8	15.9	33.4	50	38
0019-12	3/4	19.0	38	55	39
0019-16	1	25.4	46	75	56

0350M



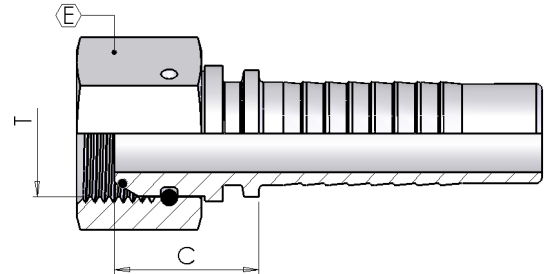
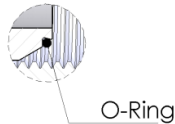
BSP Male Parallel 60° Cone

Part number	Hose I.D.		Dimensions			
	in	mm	Dash size	Thread T	Hex E	Cut-Off C
0350M04-04	1/4	6.4	04	1/4-19	19	28
0350M06-06	3/8	9.5	06	3/8-19	22	30
0350M08-08	1/2	12.7	08	1/2-14	27	33
0350M12-12	3/4	19.0	12	3/4-14	32	37
0350M16-16	1	25.4	16	1-11	41	42

0050M

BSP Female 60° Cone - Thrust Wire

(*)- BSP female with O-Ring



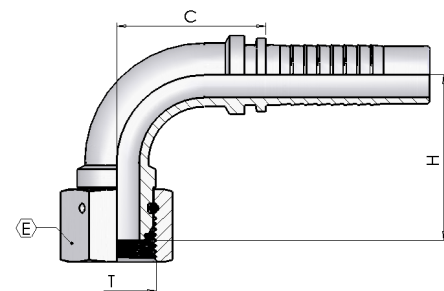
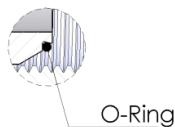
Part number	Hose I.D.		Dimensions			
	in	mm	Dash size	Thread T	Hex E	Cut-Off C
0050M04-04	1/4	6.4	04	1/4-19	19	20
0050M06-06	3/8	9.5	06	3/8-19	22	21
0050M08-08	1/2	12.7	08	1/2-14	27	23
0050M12-12	3/4	19.0	12	3/4-14	32	27
0050M16-16	1	25.4	16	1-11	38	30

(*)

0150M

BSP 90° Swept Elbow 60° Cone - Thrust Wire

(*)- BSP female with O-Ring

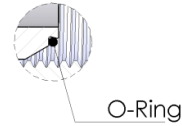
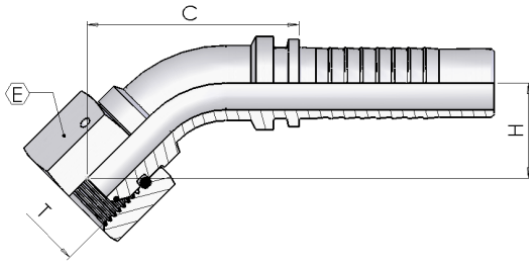


Part number	Hose I.D.		Dimensions				
	in	mm	Dash size	Thread T	Hex E	Drop H	Cut-Off C
0150M04-04	1/4	6.4	04	1/4-19	19	28	26
0150M06-06	3/8	9.5	06	3/8-19	22	34	35
0150M08-08	1/2	12.7	08	1/2-14	27	40	40
0150M10-10	5/8	15.9	10	5/8-14	30	46	46
0150M12-12	3/4	19.0	12	3/4-14	32	56	58
0150M16-16	1	25.4	16	1-11	38	68	72

(*)

0250M

BSP 45° Swept Elbow 60° Cone - Thrust Wire



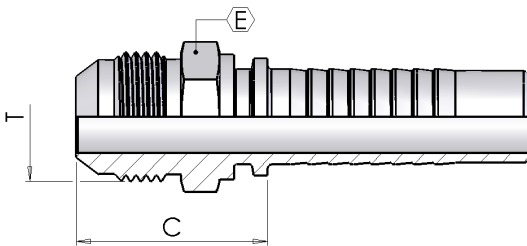
(*)- BSP female with O-Ring

(*).

Part number	Hose I.D.		Dimensions				
	in	mm	Dash size	Thread T	Hex E	Drop H	Cut-Off C
0250M04-04	1/4	6.4	04	1/4-19	19	16	43
0250M06-06	3/8	9.5	06	3/8-19	22	19	54
0250M08-08	1/2	12.7	08	1/2-14	27	23	67
0250M10-10	5/8	15.9	10	5/8-14	30	24	70
0250M12-12	3/4	19.0	12	3/4-14	32	29	87
0250M16-16	1	25.4	16	1-11	38	35	108

0850M

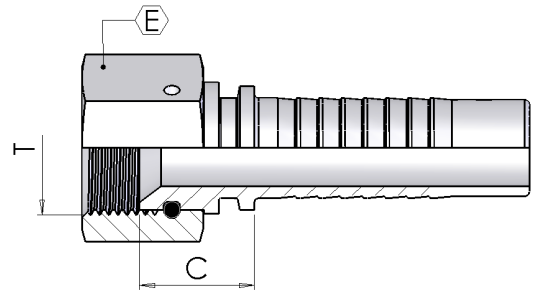
JIC Male 74° Cone



Part number	Hose I.D.		Dimensions			
	in	mm	Dash size	Thread T	Hex E	Cut-Off C
0850M04-04	1/4	6.4	04	7/16-20	12	28
0850M06-06	3/8	9.5	06	9/16-18	15	28
0850M06-08	3/8	9.5	06	3/4-16	19	32
0850M08-08	1/2	12.7	08	3/4-16	19	32
0850M08-10	1/2	12.7	08	7/8-14	24	36
0850M10-10	5/8	15.9	10	7/8-14	24	36
0850M10-12	5/8	15.9	10	1.1/16-12	27	40
0850M12-12	3/4	19.0	12	1.1/16-12	27	40
0850M12-16	1	25.4	16	1.5/16-12	34	43
0850M16-16	1	25.4	16	1.5/16-12	34	45

0900M

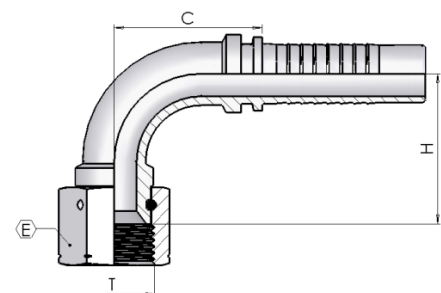
JIC Female 74° Cone - Thrust Wire



Part number	Hose I.D.		Dimensions			
	in	mm	Dash size	Thread T	Hex E	Cut-Off C
0900M04-04	1/4	6.4	04	7/16-20	17	16
0900M06-06	3/8	9.5	06	9/16-18	19	18
0900M08-08	1/2	12.7	08	3/4-16	24	20
0900M08-10	1/2	12.7	08	7/8-14	27	21
0900M10-10	5/8	15.9	10	7/8-14	27	21
0900M10-12	5/8	15.9	10	1.1/16-12	32	22
0900M12-12	3/4	19.0	12	1.1/16-12	32	23
0900M12-16	3/4	19.0	12	1.5/16-12	41	26
0900M16-16	1	25.4	16	1.5/16-12	41	27

0950M

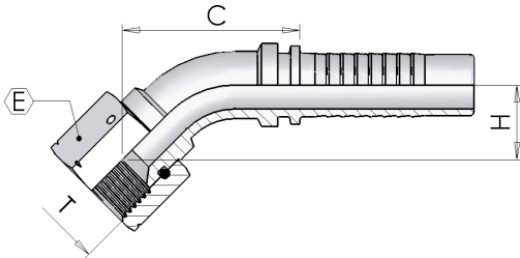
JIC 90° Swept Elbow 74° Cone - Thrust Wire



Part number	Hose I.D.		Dimensions				
	in	mm	Dash size	Thread T	Hex E	Drop H	Cut-Off C
0950M04-04	1/4	6.4	04	7/16-20	17	26	26
0950M06-06	3/8	9.5	06	9/16-18	19	33	35
0950M08-08	1/2	12.7	08	3/4-16	24	39	40
0950M08-10	1/2	12.7	08	7/8-14	27	41	40
0950M10-10	5/8	15.9	10	7/8-14	27	45	46
0950M12-12	3/4	19.0	12	1.1/16-12	32	54	58
0950M16-16	1	25.4	16	1.5/16-12	41	68	72

1000M

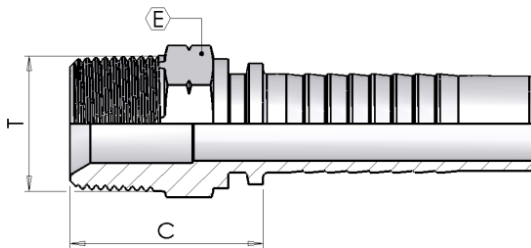
JIC 45° Swept Elbow 74° Cone-Thrust Wire



Part number	Hose I.D.		Dimensions				
	in	mm	Dash size	Thread T	Hex E	Drop H	Cut-Off C
1000M04-04	1/4	6.4	04	7/16-20	17	15	42
1000M06-06	3/8	9.5	06	9/16-18	19	18	53
1000M08-08	1/2	12.7	08	3/4-16	24	23	66
1000M08-10	1/2	12.7	08	7/8-14	27	23	67
1000M10-10	5/8	15.9	10	7/8-14	27	23	69
1000M12-12	3/4	19.0	12	1.1/16-12	32	28	85
1000M16-16	1	25.4	16	1.5/16-12	41	36	109

0370M

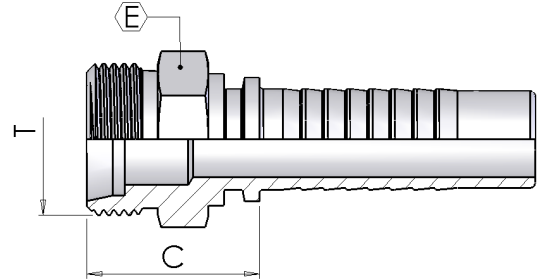
NPTF Male 60° Cone



Part number	Hose I.D.		Dimensions			
	in	mm	Dash size	Thread T	Hex E	Cut-Off C
0370M04-04	1/4	6.4	04	1/4-18	15	29
0370M04-06	1/4	6.4	04	3/8-18	19	29
0370M06-06	3/8	9.5	06	3/8-18	19	29
0370M08-08	1/2	12.7	08	1/2-14	22	35
0370M12-12	3/4	19.0	12	3/4-14	27	39
0370M16-16	1	25.4	16	1-11.1/2	36	46

0450M

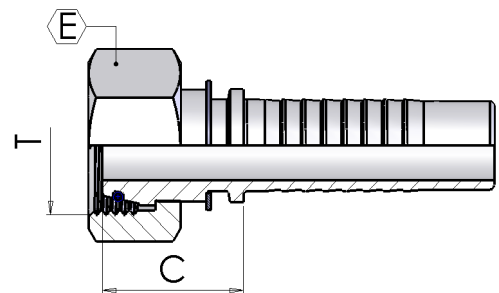
Metric Male 24° - Seat Heavy



Part number	Hose I.D.		Dimensions				
	in	mm	Dash size	Thread T	Erm	Hex E	Cut-Off C
0450M08-24	1/2	12.7	08	M24-1.5	16	24	32
0450M10-30	5/8	15.9	10	M30-2	20	30	34
0450M12-30	3/4	19.0	12	M30-2	20	36	36
0450M12-36	3/4	19.0	12	M36-2	25	36	40
0450M16-42	1	25.4	16	M42-2	30	46	44

0084M

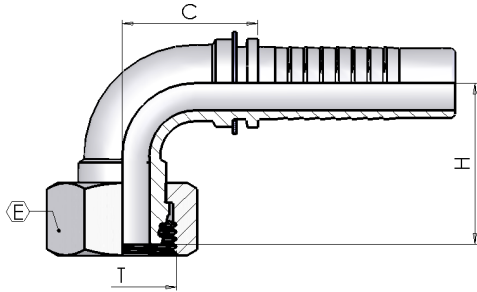
Metric Female 24° -Seat Heavy



Part number	Hose I.D.		Dimensions				
	in	mm	Dash size	Thread T	Erm	Hex E	Cut-Off C
0084M04-16	1/4	6.4	04	M16-1.5	8	19	27
0084M06-20	3/8	9.5	06	M20-1.5	12	24	25
0084M08-24	1/2	12.7	08	M24-1.5	16	30	29
0084M10-30	5/8	15.9	10	M30-2	20	36	34
0084M12-30	3/4	19.0	12	M30-2	20	36	35
0084M12-36	3/4	19.0	12	M36-2	25	46	41
0084M16-36	1	25.4	16	M36-2	25	46	43
0084M16-42	1	25.4	16	M42-2	30	50	45

0184M

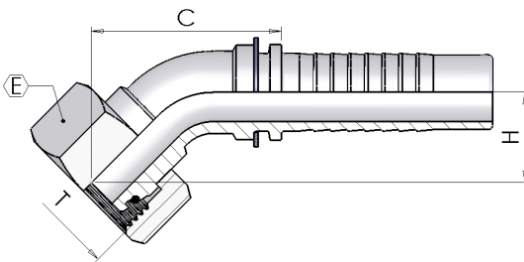
90° Metric Swept Elbow 24° - Seat Heavy



Part number	Hose I.D.		Dimensions					
	in	mm	Dash size	Thread T	Erm	Hex E	Drop H	Cut-Off C
0184M04-16	1/4	6.4	04	M16-1.5	8	19	26	28
0184M06-20	3/8	9.5	06	M20-1.5	12	24	33	35
0184M08-24	1/2	12.7	08	M24-1.5	16	30	38	42
0184M10-30	5/8	15.9	10	M30-2	20	36	50	47
0184M12-30	3/4	19.0	12	M30-2	20	36	56	59
0184M12-36	3/4	19.0	12	M36-2	25	46	59	58
0184M16-42	1	25.4	16	M42-2	30	50	67	74

0284M

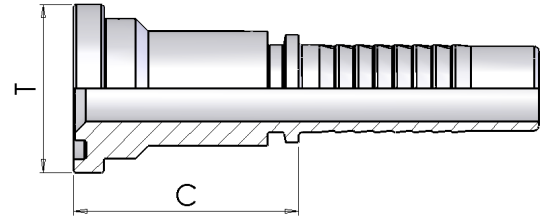
45° Metric Swept Elbow 24° - Seat Heavy



Part number	Hose I.D.		Dimensions					
	in	mm	Dash size	Thread T	Erm	Hex E	Drop H	Cut-Off C
0284M04-16	1/4	6.4	04	M16-1.5	8	19	15	38
0284M06-20	3/8	9.5	06	M20-1.5	12	24	19	45
0284M08-24	1/2	12.7	08	M24-1.5	16	30	21	64
0284M10-30	5/8	15.9	10	M30-2	20	36	29	74
0284M12-30	3/4	19.0	12	M30-2	20	36	30	91
0284M12-36	3/4	19.0	12	M36-2	25	46	31	91
0284M16-42	1	25.4	16	M42-2	30	50	33	107

1250M

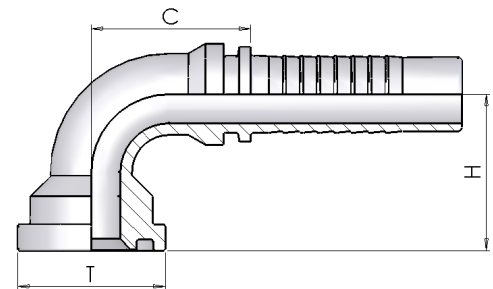
Straight SAE Flange 3000 PSI



Part number	Hose I.D.		Dimensions			
	in	mm	Dash size	Flange T	mm	Cut-Off C
1250M08-08	1/2	12.7	08	1/2	30,2	46
1250M12-12	3/4	19.0	12	3/4	38.1	51
1250M12-16	3/4	19.0	12	1	44.5	54
1250M16-16	1	25.4	16	1	44.5	56
1250M16-20	1	25.4	16	1.1/4	50.8	59

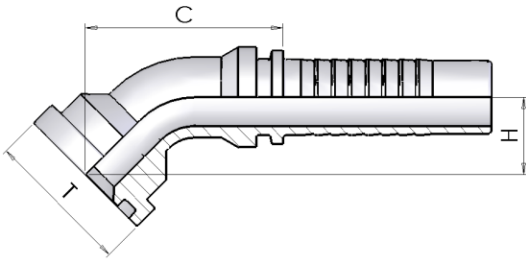
1050M

90° SAE Flange 3000 PSI



Part number	Hose I.D.		Dimensions				
	in	mm	Dash size	Flange T	mm	Drop H	Cut-Off C
1050M08-08	1/2	12.7	08	1/2	30,2	39	40
1050M12-12	3/4	19.0	12	3/4	38.1	53	58
1050M12-16	3/4	19.0	12	1	44.5	58	58
1050M16-16	1	25.4	16	1	44.5	65	72
1050M16-20	1	25.4	16	1.1/4	50.8	70	72

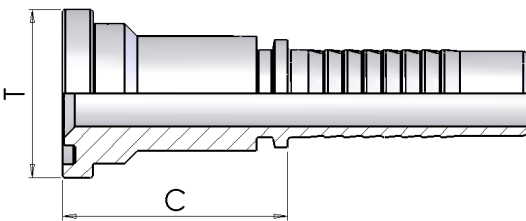
1150M



45° SAE Flange 3000 PSI

Part number	Hose I.D.		Dimensions				
	in	mm	Dash size	Flange T	mm	Drop H	Cut-Off C
1150M08-08	1/2	12.7	08	1/2	30,2	22	63
1150M12-12	3/4	19.0	12	3/4	38.1	27	84
1150M12-16	3/4	19.0	12	1	44.5	30	88
1150M16-16	1	25.4	16	1	44.5	33	106
1150M16-20	1	25.4	16	1.1/4	50.8	37	110

1300M

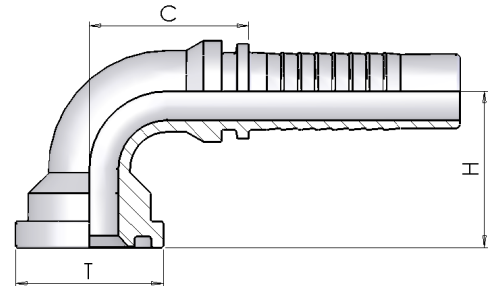


Straight SAE Flange 6000 PSI

Part number	Hose I.D.		Dimensions			
	in	mm	Dash size	Flange T	mm	Cut-Off C
1300M08-08	1/2	12.7	08	1/2	31,8	47
1300M10-12	5/8	15.9	10	3/4	41.3	54
1300M12-12	3/4	19.0	12	3/4	41.3	55
1300M12-16	3/4	19.0	12	1	47.6	61
1300M16-16	1	25.4	16	1	47.6	63
1300M16-20	1	25.4	16	1.1/4	54	70

1100M

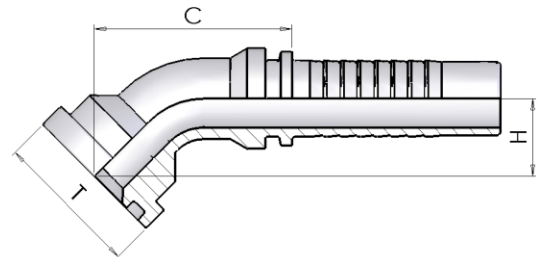
90° SAE Flange 6000 PSI



Part number	Hose I.D.		Dimensions				
	in	mm	Dash size	Flange T	mm	Drop H	Cut-Off C
1100M08-08	1/2	12.7	08	1/2	31,8	39	40
1100M10-12	5/8	15.9	10	3/4	41.3	51	46
1100M12-12	3/4	19.0	12	3/4	41.3	57	58
1100M12-16	3/4	19.0	12	1	47.6	63	56
1100M16-16	1	25.4	16	1	47.6	69	72
1100M16-20	1	25.4	16	1.1/4	54	77	72

1200M

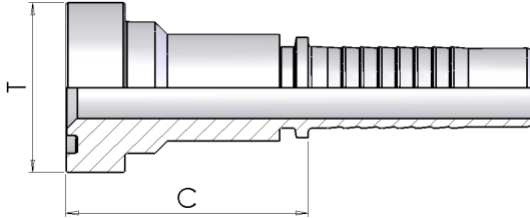
45° SAE Flange 6000 PSI



Part number	Hose I.D.		Dimensions				
	in	mm	Dash size	Flange T	mm	Drop H	Cut-Off C
1200M08-08	1/2	12.7	08	1/2	31,8	22	66
1200M10-12	5/8	15.9	10	3/4	41.3	27	73
1200M12-12	3/4	19.0	12	3/4	41.3	30	87
1200M12-16	3/4	19.0	12	1	47.6	34	94
1200M16-16	1	25.4	16	1	47.6	37	109
1200M16-20	1	25.4	16	1.1/4	54	41	115

130SM

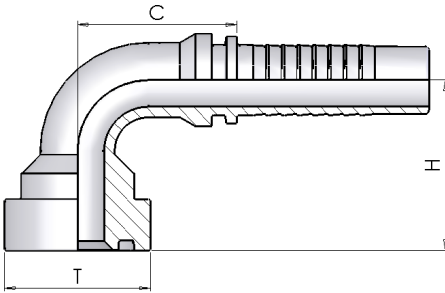
Straight 'CAT' Flange



Part number	Hose I.D.		Dimensions			
	in	mm	Dash size	Flange T	mm	Cut-Off C
130SM12-12	3/4	19.0	12	3/4	41	59
130SM12-16	3/4	19.0	12	1	48	66
130SM16-16	1	25.4	16	1	48	67
130SM16-20	1	25.4	16	1.1/4	54	75

110SM

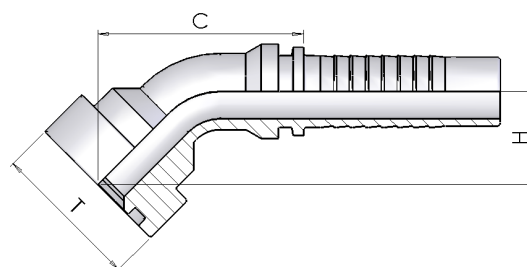
90° 'CAT' Flange



Part number	Hose I.D.		Dimensions				
	in	mm	Dash size	Flange T	mm	Drop H	Cut-Off C
110SM12-12	3/4	19.0	12	3/4	41	60	58
110SM12-16	3/4	19.0	12	1	48	67	58
110SM16-16	1	25.4	16	1	48	74	80
110SM16-20	1	25.4	16	1.1/4	54	80	79

120SM

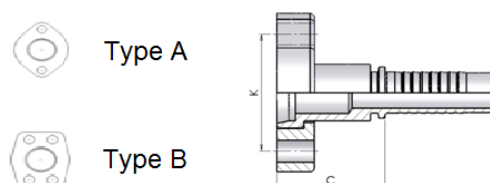
45° 'CAT' Flange



Part number	Hose I.D.		Dimensions				
	in	mm	Dash size	Flange T	mm	Drop H	Cut-Off C
120SM12-12	3/4	19.0	12	3/4	41	32	90
120SM12-16	3/4	19.0	12	1	48	33	97
120SM16-16	1	25.4	16	1	48	40	121
120SM16-20	1	25.4	16	1.1/4	54	44	124

F432M - F434M

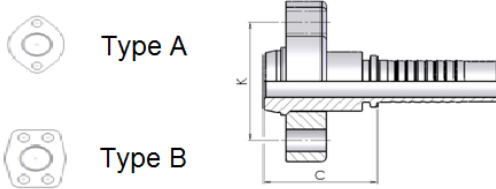
POCLAIN Male Flange



Part number	Hose I.D.		Dimensions				
	in	mm	Dash size	Flange T	N° screws	Cut-Off C	K
F432M08-08	1/2	12.7	08	1/2	A	41	44
F432M10-10	5/8	15.9	10	5/8	A	41	44
F432M12-12	3/4	19.0	12	3/4	A	52	56
F432M16-16	1	25.4	16	1	A	64	64
F432M20-20	1.1/4	31.8	20	1.1/4	A	70	74
F434M08-08	1/2	12.7	08	1/2	B	41	40
F434M10-10	5/8	15.9	10	5/8	B	41	40
F434M12-12	3/4	19.0	12	3/4	B	52	51
F434M16-16	1	25.4	16	1	B	64	57
F434M20-20	1.1/4	31.8	20	1.1/4	B	70	67

F032M - F034M

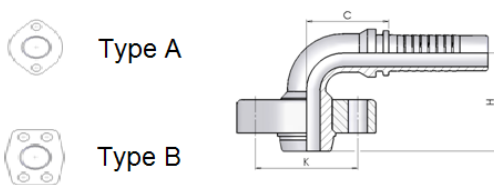
POCLAIN Female Flange



Part number	Hose I.D.		Dimensions				
	in	mm	Dash size	Flange T	N° screws	Cut-Off C	K
F032M08-08	1/2	12.7	08	1/2	A	45	44
F032M10-10	5/8	15.9	10	5/8	A	44	44
F032M12-12	3/4	19.0	12	3/4	A	51	56
F032M16-16	1	25.4	16	1	A	62	64
F032M20-20	1.1/4	31.8	20	1.1/4	A	70	67
F034M08-08	1/2	12.7	08	1/2	B	45	40
F034M10-10	5/8	15.9	10	5/8	B	44	40
F034M12-12	3/4	19.0	12	3/4	B	51	51
F034M16-16	1	25.4	16	1	B	62	57
F034M20-20	1.1/4	31.8	20	1.1/4	B	82	67

F132M - F134M

90°POCLAIN Female Flange



Part number	Hose I.D.		Dimensions					
	in	mm	Dash size	Flange T	Drop H	N° screws	Cut-Off C	K
F132M08-08	1/2	12.7	08	1/2	50	A	40	44
F132M10-10	5/8	15.9	10	5/8	52	A	48	44
F132M12-12	3/4	19.0	12	3/4	62	A	63	56
F132M16-16	1	25.4	16	1	81	A	80	64
F132M20-20	1.1/4	31.8	20	1.1/4	96	A	98	74
F134M08-08	1/2	12.7	08	1/2	50	B	40	40
F134M10-10	5/8	15.9	10	5/8	52	B	48	40
F134M12-12	3/4	19.0	12	3/4	62	B	63	51
F134M16-16	1	25.4	16	1	81	B	80	57
F134M20-20	1.1/4	31.8	20	1.1/4	96	B	98	67

Low
Pressure

in!



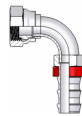
P050



BSP Female 60° cone - UniLock

139

P150



BSP 90° Swept elbow 60° cone - UniLock

139

P350

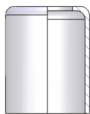


BSP Male Parallel 60° cone - UniLock

134



A



Aluminium ferrule

141

BA

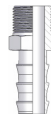


Steel ferrule

142



0345B



BSP Male - Flat Seat

143

0350B



BSP Male Parallel 60° cone

144



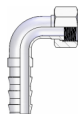
0051B



BSP Female 60° cone

145

0151B



BSP 90° Swept elbow 60° cone

146

0251B



BSP 45° Swept Elbow 60° Cone

147

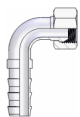
0060B



BSP Female Flat Seal

148

0160B

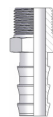


BSP 90° Swept elbow flat seat

148

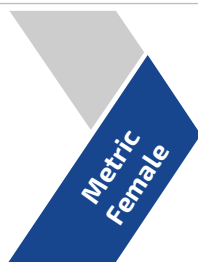


0400B



Metric Male 60° cone

149



0100B



Metric Female 60° cone

149

0200B



90° Metric Swept Elbow 60° cone

150

0300B



45° Metric Swept Elbow 60° cone

150



1350B



Metric Banjo

151

1400B

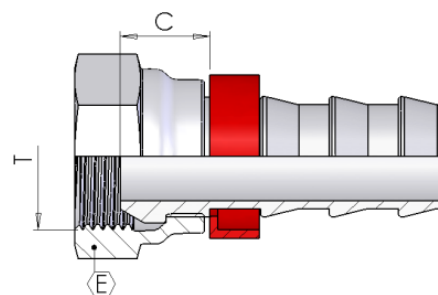


BSP Banjo

151

P050

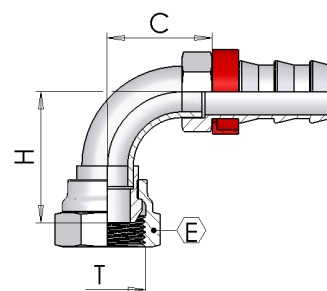
BSP Female 60° Cone - UniLock



Part number	Hose I.D.		Dimensions			
	in	mm	Dash size	Thread T	Hex E	Cut-Off C
P050-04-04	1/4	6.4	04	1/4-19	17	10
P050-06-06	3/8	9.5	06	3/8-19	19	10
P050-08-08	1/2	12.7	08	1/2-14	27	13
P050-12-12	3/4	19	12	3/4-14	32	16
P050-16-16	1	25.4	16	1-11	38	15

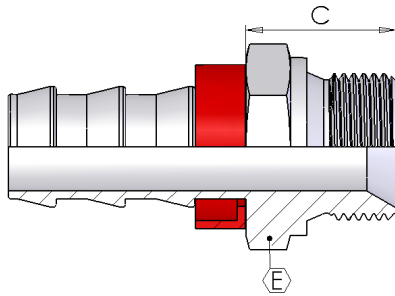
P150

BSP 90° Swept Elbow 60° Cone - UniLock



Part number	Hose I.D.		Dimensions				
	in	mm	Dash size	Thread T	Hex E	Drop H	Cut-Off C
P150-04-04	1/4	6.4	04	1/4-19	17	26	20
P150-06-06	3/8	9.5	06	3/8-19	19	28	21
P150-08-08	1/2	12.7	08	1/2-14	27	35	26
P150-12-12	3/4	19	12	3/4-14	32	46	37
P150-16-16	1	25.4	16	1-11	38	55	44

P350

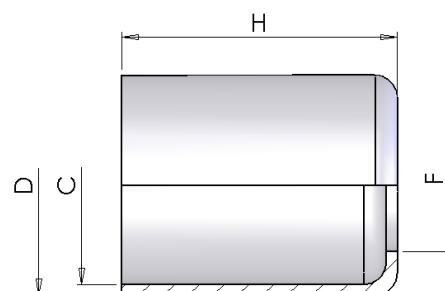


BSP Male Parallel 60° Cone - UniLock

Part number	Hose I.D.		Dimensions			
	in	mm	Dash size	Thread T	Hex E	Cut-Off C
P350-04-04	1/4	6.4	04	1/4-19	19	20
P350-06-06	3/8	9.5	06	3/8-19	22	22
P350-08-08	1/2	12.7	08	1/2-14	27	25
P350-12-12	3/4	19	12	3/4-14	32	27
P350-16-16	1	25.4	16	1-11	41	30

A

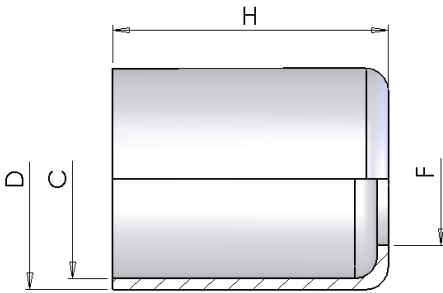
Aluminium ferrule



Part number	Dimensions			
	C	D	F	H
A11x13	11	13	8	16
A12x14	12	14	8	17
A13x15	13	15	9	20
A14x16	14	16	9	20
A15x17	15	17	11	20
A16x18	16	18	12	23
A17x19	17	19	12	23
A18x20	18	20	12	23
A19x21	19	21	15	25
A20x22	20	22	15	25
A21x23	21	23	15	25
A22x24	22	24	15	25
A23x25	23	25	16	26
A24x26	24	26	15	26
A26x28	26	28	20	30
A27x29	27	29	20	30
A28x30	28	30	20	30
A30x32	30	32	21	30
A32x34	32	34	22	30
A34x36	34	36	27	35
A36x38	36	38	26	36
A38x40	38	40	27	36
A42x45	42	45	32	40

BA

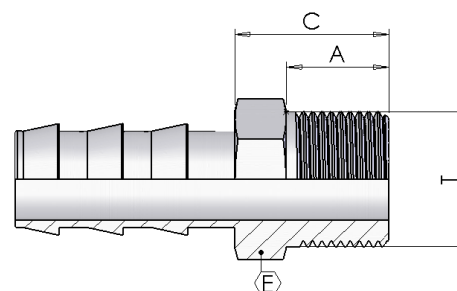
Steel ferrule



Part number	Dimensions			
	C	D	F	H
BA-021-024	21	24	16	31
BA-022-025	22	25	16	31
BA-024-027	24	27	18	31
BA-027-030	27	30	20	34
BA-029-032	29	32	21	35
BA-032-035	32	35	23	36
BA-035-038	35	38	27	36
BA-037-040	37	40	28	38
BA-039-042	39	42	29	40
BA-042-045	42	45	32	42
BA-046-050	46	50	34	46
BA-048-052	48	52	35	46
BA-051-055	51	55	42	48
BA-056-060	56	60	43	50
BA-060-065	60	65	45	51
BA-065-070	65	70	53	54
BA-070-075	70	75	55	56
BA-077-082	77	82	65	61
BA-080-085	80	85	68	64
BA-085-090	85	90	68	63
BA-095-100	95	100	78	68
BA-100-105	100	105	84	76

0345B

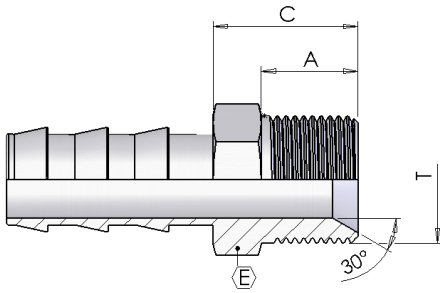
BSP Male - Flat Seat



Part number	Hose I.D.		Dimensions			
	in	mm	Thread	Hex	Cut-Off	A
			T	E	C	
0345B04-02	1/4	6.4	1/8	14	16	10
0345B04-04	1/4	6.4	1/4	14	16	10
0345B05-04	5/16	7.9	1/4	14	16	10
0345B05-06	5/16	7.9	3/8	17	19	12
0345B06-04	3/8	9.5	1/4	17	16	10
0345B06-06	3/8	9.5	3/8	17	19	12
0345B06-08	3/8	9.5	1/2	22	21	13
0345B08-06	1/2	12.7	3/8	19	19	12
0345B08-08	1/2	12.7	1/2	22	21	13
0345B10-06	5/8	15.9	3/8	19	19	12
0345B10-08	5/8	15.9	1/2	22	21	13
0345B10-12	5/8	15.9	3/4	27	21	15
0345B12-08	3/4	19	1/2	24	21	13
0345B12-12	3/4	19	3/4	27	23	15
0345B12-16	3/4	19	1	34	25	16
0345B16-12	1	25.4	3/4	30	23	15
0345B16-16	1	25.4	1	34	25	16
0345B20-12	1.1/4	31.8	3/4	34	23	15
0345B20-16	1.1/4	31.8	1	36	26	16
0345B20-20	1.1/4	31.8	1.1/4	42	27	17
0345B24-20	1.1/2	38.1	1.1/4	42	27	17
0345B24-24	1.1/2	38.1	1.1/2	50	29	18
0345B32-32	2	50.8	2	60	31	19
0345B40-40	2.1/2	63,5	2.1/2	75	36	23

0350B

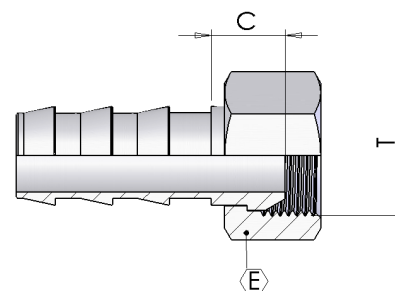
BSP Male Parallel 60° Cone



Part number	Hose I.D.		Dimensions			
	in	mm	Thread	Hex	Cut-Off	A
			T	E	C	
0350B04-02	1/4	6.4	1/8	14	14	9
0350B04-04	1/4	6.4	1/4	19	16	10
0350B05-04	5/16	7.9	1/4	19	16	10
0350B06-04	3/8	9.5	1/4	19	16	10
0350B06-06	3/8	9.5	3/8	22	18	12

0051B

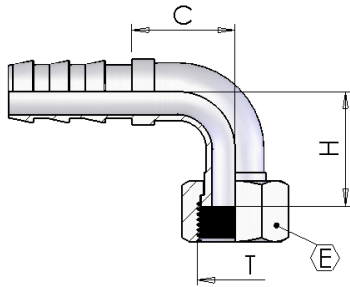
BSP Female 60° Cone



Part number	Hose I.D.		Dimensions		
	in	mm	Thread	Hex	Cut-Off
			T	E	C
0051B03-02	3/16	4.8	1/8	14	9
0051B04-02	1/4	6.4	1/8	14	9
0051B04-04	1/4	6.4	1/4	17	10
0051B05-04	5/16	7.9	1/4	17	10
0051B05-06	5/16	7.9	3/8	19	11
0051B06-06	3/8	9.5	3/8	19	11
0051B06-08	3/8	9.5	1/2	24	12
0051B08-06	1/2	12.7	3/8	19	11
0051B08-08	1/2	12.7	1/2	24	12
0051B10-08	5/8	15.9	1/2	24	12
0051B10-12	5/8	15.9	3/4	30	14
0051B12-12	3/4	19	3/4	30	14
0051B12-16	3/4	19	1	38	15
0051B16-16	1	25.4	1	38	16
0051B20-20	1.1/4	31.8	1.1/4	46	16
0051B20-24	1.1/4	31.8	1.1/2	55	18
0051B24-24	1.1/2	38.1	1.1/2	55	18
0051B32-32	2	50.8	2	65	19
0051B40-40	2.1/2	63.5	2.1/2	85	24
0051B48-48	3	76.2	3	100	26

0151B

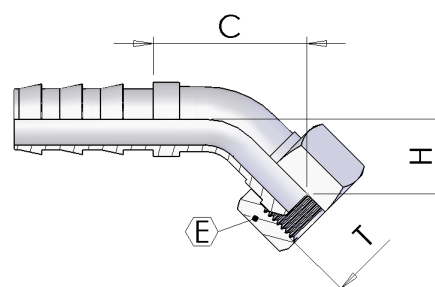
BSP 90° Swept elbow 60° Cone



Part number	Hose I.D.		Dimensions			
	in	mm	Thread	Hex	Drop	Cut-Off
			T	E	H	C
0151B04-04	1/4	6.4	1/4	17	25	28
0151B05-04	5/16	7.9	1/4	17	25	28
0151B05-06	5/16	7.9	3/8	19	32	32
0151B06-06	3/8	9.5	3/8	19	33	33
0151B06-08	3/8	9.5	1/2	24	35	38
0151B08-06	1/2	12.7	3/8	19	35	38
0151B08-08	1/2	12.7	1/2	24	41	43
0151B08-12	1/2	12.7	3/4	30	45	40
0151B10-08	5/8	15.9	1/2	24	41	44
0151B10-12	5/8	15.9	3/4	30	45	40
0151B12-12	3/4	19	3/4	30	49	51
0151B12-16	3/4	19	1	38	49	45
0151B16-12	1	25.4	3/4	32	57	45
0151B16-16	1	25.4	1	38	58	60
0151B16-20	1	25.4	1.1/4	46	64	56
0151B20-20	1.1/4	31.8	1.1/4	46	66	70
0151B24-24	1.1/2	38.1	1.1/2	55	75	70
0151B32-32	2	50.8	2	65	70	66
0151B40-40	2.1/2	63.5	2.1/2	85	85	82

0251B

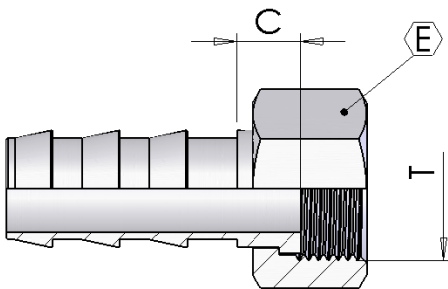
BSP 45° Swept Elbow 60° Cone



Part number	Hose I.D.		Dimensions			
	in	mm	Thread	Hex	Drop	Cut-Off
			T	E	H	C
0251B04-04	1/4	6.4	1/4	17	17	44
0251B05-06	5/16	7.9	3/8	19	19	50
0251B06-06	3/8	9.5	3/8	19	20	52
0251B06-08	3/8	9.5	1/2	24	23	54
0251B08-06	1/2	12.7	3/8	19	23	54
0251B08-08	1/2	12.7	1/2	24	25	60
0251B10-12	5/8	15.9	3/4	30	28	65
0251B12-12	3/4	19	3/4	30	28	65
0251B12-16	3/4	19	1	38	30	55
0251B16-16	1	25.4	1	38	30	74
0251B20-20	1.1/4	31.8	1.1/4	46	35	72
0251B24-24	1.1/2	38.1	1.1/2	55	35	72
0251B32-32	2	50.8	2	65	50	90

0060B

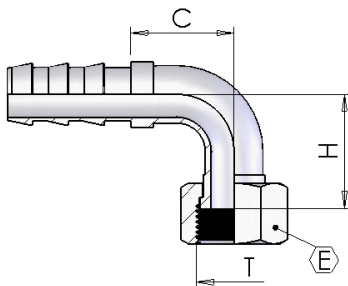
BSP Female Flat Seal



Part number	Hose I.D.		Dimensions		
	in	mm	Thread	Hex	Cut-Off
			T	E	C
0060B04-04	1/4	6.4	1/4	17	7
0060B05-04	5/16	7.9	1/4	17	7
0060B05-06	5/16	7.9	3/8	19	8
0060B06-06	3/8	9.5	3/8	19	8
0060B06-08	3/8	9.5	1/2	24	8
0060B08-08	1/2	12.7	1/2	24	8
0060B10-12	5/8	15.9	3/4	30	9
0060B12-12	3/4	19	3/4	30	9
0060B12-16	3/4	19	1	38	10
0060B16-16	1	25.4	1	38	11
0060B20-20	1.1/4	31.8	1.1/4	46	11
0060B24-24	1.1/2	38.1	1.1/2	55	12
0060B32-32	2	50.8	2	65	12

0160B

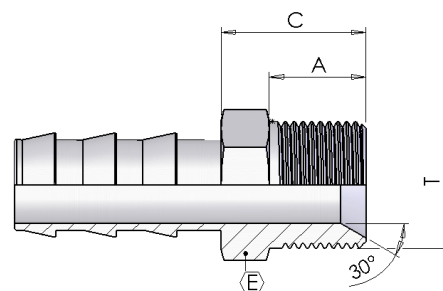
BSP 90° Swept Elbow Flat Seal



Part number	Hose I.D.		Dimensions			
	in	mm	Thread	Hex	Drop	Cut-Off
			T	E	H	C
0160B08-08	1/2	12.7	1/2	24	35	43
0160B08-12	1/2	12.7	3/4	30	40	40
0160B12-12	3/4	19	3/4	30	40	40
0160B12-16	3/4	19	1	38	45	45

0400B

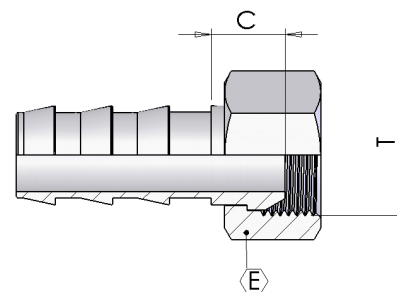
Metric Male 60° Cone



Part number	Hose I.D.		Dimensions			
	in	mm	Thread	Hex	Cut-Off	A
			T	E	C	
0400B04-14	1/4	6.4	M14-1,5	19	17	11
0400B05-14	5/16	7.9	M14-1,5	19	17	11
0400B06-14	3/8	9.5	M14-1,5	19	17	11

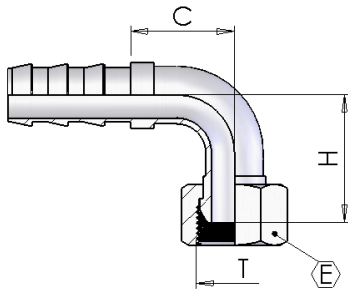
0100B

Metric Female 60° Cone



Part number	Hose I.D.		Dimensions		
	in	mm	Thread	Hex	Cut-Off
			T	E	C
0100B03-10	3/16	4.8	M10-1	14	9
0100B03-12	3/16	4.8	M12-1,5	17	10
0100B04-12	1/4	6.4	M12-1,5	17	10
0100B04-14	1/4	6.4	M14-1,5	17	10
0100B05-14	5/16	7.9	M14-1,5	17	10
0100B05-16	5/16	7.9	M16-1,5	19	11
0100B06-18	3/8	9.5	M18-1,5	22	11
0100B08-18	1/2	12.7	M18-1,5	22	12
0100B08-22	1/2	12.7	M22-1,5	27	12
0100B10-22	5/8	15.9	M22-1,5	27	12
0100B10-26	5/8	15.9	M26-1,5	32	14
0100B12-26	3/4	19	M26-1,5	32	14

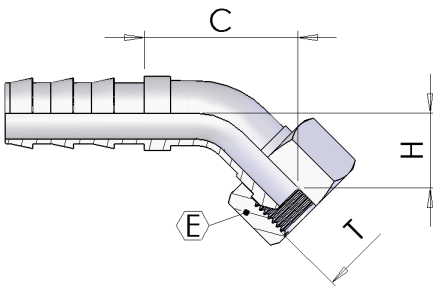
0200B



90° Metric Swept Elbow 60° Cone

Part number	Hose I.D.		Dimensions			
	in	mm	Thread T	Hex E	Drop H	Cut-Off C
0200B04-14	1/4	6.4	M14-1,5	17	25	28
0200B05-16	5/16	7.9	M16-1,5	19	32	32
0200B06-18	3/8	9.5	M18-1,5	22	33	35
0200B08-22	1/2	12.7	M22-1,5	27	41	43
0200B10-26	5/8	15.9	M26-1,5	32	43	43
0200B12-26	3/4	19	M26-1,5	32	49	51

0300B

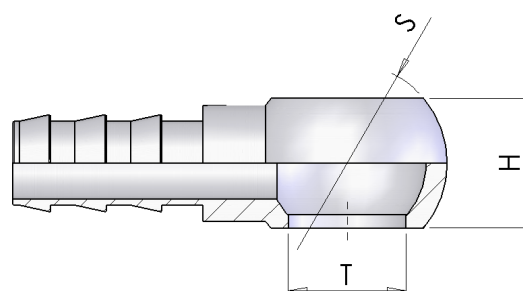


45° Metric Swept Elbow 60° Cone

Part number	Hose I.D.		Dimensions			
	in	mm	Thread T	Hex E	Drop H	Cut-Off C
0300B04-14	1/4	6.4	M14-1,5	17	15	44
0300B05-16	5/16	7.9	M16-1,5	19	18	50
0300B06-18	3/8	9.5	M18-1,5	22	20	52
0300B08-18	1/2	12.7	M18-1,5	22	23	54
0300B08-22	1/2	12.7	M22-1,5	27	25	62
0300B12-26	3/4	19	M26-1,5	32	28	65

1350B

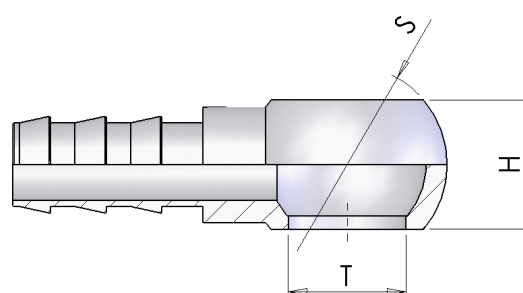
Metric Banjo



Part number	Hose I.D.		Dimensions		
	in	mm	Hole T	H	S
1350B04-10	1/4	6.4	M10-1	11	17
1350B04-12	1/4	6.4	M12-1,5	12	20
1350B04-14	1/4	6.4	M14-1,5	14	24
1350B05-12	5/16	7.9	M12-1,5	12	20
1350B05-14	5/16	7.9	M14-1,5	14	24
1350B05-16	5/16	7.9	M16-1,5	19	28
1350B06-16	3/8	9.5	M16-1,5	19	28
1350B06-18	3/8	9.5	M18-1,5	20	32
1350B08-18	1/2	12.7	M18-1,5	20	32
1350B08-22	1/2	12.7	M22-1,5	23	36
1350B10-18	5/8	15.9	M18-1,5	20	32

1400B

BSP Banjo



Part number	Hose I.D.		Dimensions		
	in	mm	Hole T	H	S
1400B04-04	1/4	6.4	1/4	14	24
1400B05-04	5/16	7.9	1/4	14	24
1400B05-06	5/16	7.9	3/8	17	28
1400B06-04	3/8	9.5	1/4	14	24
1400B06-06	3/8	9.5	3/8	17	28
1400B08-06	1/2	12.7	3/8	17	28
1400B08-08	1/2	12.7	1/2	22	35
1400B10-06	5/8	15.9	3/8	17	28
1400B10-08	5/8	15.9	1/2	22	35
1400B10-12	5/8	15.9	3/4	29	45
1400B12-12	3/4	19	3/4	29	45
1400B16-12	1	25.4	3/4	29	45
1400B16-16	1	25.4	1	35	55

Analytical Index

0001.....	11	0185.....	58
0002.....	12	0185.....	63
0003.....	13	0200.....	56
0007.....	13	0200B.....	150
0008.....	14	0235.....	58
0009.....	15	0240.....	35
0013.....	103	0241.....	34
0019.....	125	0248.....	35
001C.....	9	0250.....	33
0022.....	10	0250H.....	106
0030.....	76	0250M.....	127
0035.....	57	0251.....	32
003T.....	12	0251B.....	147
0040.....	25	0258.....	34
0048.....	25	0284.....	68
0042.....	24	0284H.....	110
004H.....	16	0284M.....	131
004N.....	103	0285.....	64
0050.....	23	0285.....	64
0050H.....	105	0300.....	57
0050M.....	126	0300B.....	150
0050W.....	120	0345.....	17
0051.....	22	0345B.....	143
0051B.....	145	0350.....	19
0058.....	24	0350B.....	144
0060.....	18	0350H.....	104
0060B.....	148	0350M.....	125
0084.....	66	0350W.....	120
0084H.....	109	035G.....	21
0084M.....	130	0360.....	20
0084W.....	122	0370.....	38
0084Y.....	122	0370H.....	104
0085.....	60	0370M.....	129
0085.....	61	0370W.....	121
0054.....	119	0370Y.....	121
00Y4.....	119	037G.....	39
00Y6.....	120	0385.....	51
0100.....	56	0390.....	52
0100B.....	149	0395.....	52
0130.....	76	0398.....	78
0135.....	58	0400.....	55
0140.....	29	0400B.....	149
0141.....	28	0450.....	65
0148.....	29	0450H.....	108
0150.....	27	0450M.....	130
0150H.....	105	0500.....	59
0150M.....	126	0550.....	71
0158.....	28	0650.....	72
0151B.....	146	0650S.....	73
0152.....	27	0750.....	74
0160B.....	148	0750S.....	75
0184.....	67	0850.....	40
0184H.....	109	0850H.....	106
0184M.....	131	0850M.....	127
		0900.....	42
		0900H.....	107
		0900M.....	128
		0901.....	41

0901D.....	43	2320.....	31
0902.....	43	2321.....	31
0920.....	85	2950.....	47
0930.....	85	2951.....	48
0940.....	87	2970.....	46
0950.....	45	2971.....	47
0950H.....	107	A.....	141
0950M.....	128	BA.....	142
0951.....	44	BMC1.....	16
0952.....	46	BMC2.....	17
0980S.....	86	D050.....	99
0990S.....	87	F032M - F034M.....	137
1000H.....	108	F132M - F134M.....	137
1000M.....	129	F432M - F434M.....	136
1001.....	49	FK50.....	77
1002.....	51	FN50.....	77
1030S.....	86	FN51.....	78
1040S.....	88	FS3L.....	93
1050.....	80	FS6L.....	97
1050H.....	113	GS00.....	100
1050M.....	132	IF00.....	53
1060.....	90	IF45.....	54
1060.....	92	IF90.....	54
1100H.....	115	K05B.....	79
1100M.....	134	N051.....	39
110S.....	98	P050.....	139
110SH.....	116	P150.....	139
110SM.....	135	P350.....	140
1110.....	95	PTFE.....	14
1150.....	88	PTFE-C.....	15
1150H.....	114	S003.....	93
1150M.....	133	S006.....	97
1160.....	91	S050.....	91
1200H.....	115	S050H.....	110
1200M.....	134	S05T.....	82
120S.....	99	S05TH.....	111
120SH.....	117	S150.....	83
120SM.....	136	S150H.....	111
1210.....	96	S250.....	84
1250.....	89	S250H.....	112
1250H.....	113	S350.....	80
1250M.....	132	S350H.....	112
1260.....	89		
1300H.....	114		
1300M.....	133		
130S.....	98		
130SH.....	116		
130SM.....	135		
1310.....	94		
1350.....	69		
1350B.....	151		
1400.....	36		
1400B.....	151		
1600.....	37		
1600-00.....	37		
1650.....	70		
2300.....	30		
2301.....	30		

Fittings Type Index

Swaged Ferrule

Braided	9-10-11-12
Spiral	15-16-17
Thermoplastic	13-14
Textile	13
PTFE.....	14-15

BSP/BSPT

Flat Seat	17-18
Male 60°	19-21-35
Female	
• With O'Ring	23-24
• Whitout O'Ring	21-22-23
Swept Elbow	
• With O'Ring	27-28-33-34
• Whitout O'Ring	25-26-27-31-32-34
Compact Elbow	29-30

NPT	38-39
------------------	-------

JIC

Male.....	40
Female	41-42-43
Swept Elbow.....	44-45-46-49-50-51
Compact Elbow	46-47-48

Metric

Cone 60°	55-56-57
Cone 24	
• Seat Heavy.....	65-66-67-68
• Seat Light.....	62-63-64
• Multiseal	55-58
Standpipe.....	72-73-74
French type	76

ORFS

Male.....	79
Female	81
Swept Elbow.....	83-84

JIS

Nissan	85
Toyota	85
Komatsu.....	87
Komatsu flange	80

SAE flange

SAE 3000.....	89-90-92-93
SAE 6000.....	94-95-96-97
SAE 9000.....	98-99

Banjo

BSP.....	36-37
Metric.....	69-70

Miscellaneous

Sae Boss.....	51-52
Inverted Flare.....	53-54
Kaercher.....	77-78
Stecko	78
Kobleco.....	79
Hose Junction	99
Weldable stem.....	100



INTERPUMP

FLUID SOLUTIONS 

Powered by I.M.M. Hydraulics



I.M.M. Hydraulics Spa
interpumpfluidsolutions.com

Via Italia, 49-51
66041 - Atessa (Ch) - Italy
T. +39 (0) 0872 889225
F. +39 (0) 0872 889226

