



# INTERPUMP

FLUID SOLUTIONS 

**Stainless  
Steel fittings**

2018



# **Stainless Steel fittings**

**Standard tails**

**Inter-Lock tails**

**BSP adaptors**

**DIN adaptors**

**JIC adaptors**

We have also available the following catalogues

**Carbon Steel fittings**

**Hydraulic Hoses and Accessories**

**One-Piece fittings**





STANDARD  
TAILS



in!



**X001C**



Swaged Ferrule (no skive)

8

**X0022**



Swaged Ferrule (no skive)

9

**X0001**



Swaged Ferrule (skive)

10

**X0002**



Swaged Ferrule (skive)

11

**XBMC1**



Swaged Ferrule (no skive)

11

**XBMC2**



Swaged Ferrule (no skive)

12



**X0003**



Swaged Ferrule (no skive)

12



**X0007**



Swaged Ferrule (no skive)

13

**X0008**



Swaged Ferrule (no skive)

13

**XPTFE**

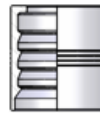


Ferrule for PTFE hose

14



**X0009**



Swaged Ferrule (skive)

14

**X004H**



Swaged Ferrule (skive)

15



**X0345**



BSP Male - Flat Seat

15

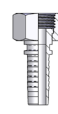
**X0061**



BSP Female Flat Seal

16

**X0062**



BSP Female Flat Seal Slip on Nut

16



**X0350**



BSP Male Parallel 60° cone

17



**X0051**



BSP Female 60° Cone Crimped Nut

18

**X0052**



BSP Female 60° Cone Slip On Nut

19

**X0151**



BSP 90° Swept elbow  
60° cone - Crimped  
Nut

20

**X0150**



BSP 90° Swept Elbow  
60° cone Thrust Wire

20

**X0152**



BSP 90° Swept elbow  
60° cone Slip On Nut

21

**X0251**



BSP 45° Swept Elbow  
60° Cone - Crimped  
Nut

22

**X0250**



BSP 45° Swept Elbow  
60° Cone Thrust Wire  
Nut with O-Ring

22

**X0252**



BSP 45° Swept Elbow  
60° Cone Slip On Nut

23



**X0360**



BSP Taper Male 60°  
cone

24



**X1400**



BSP Banjo

25

**X1600-00**



BSP perfored bolt

25

**X1600**



Double BSP perfored  
bolt

26



**X0370**



NPTF Male 60° cone

27



**X0850**



JIC Male 74° cone

28



**X0901**



JIC Female 74° cone  
Crimped Nut

29

**X0902**



JIC Female 74° cone  
Slip On Nut

30

**X0951**



JIC 90° Swept Elbow  
74° cone - Crimped  
Nut

30

**X0950**



JIC 90° Swept Elbow  
74° cone Thrust Wire

31

**X0952**



JIC 90° Swept Elbow  
74° cone Slip on Nut

31

**X1001**



JIC 45° Swept Elbow  
74° Cone - Crimped  
Nut

32

**X1000**



JIC 45° Swept Elbow  
74° cone Thrust Wire

32

**X1002**



JIC 45° Swept Elbow  
74° Cone Slip On Nut

33



**X0400**

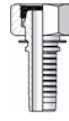


Metric Male 60° cone

34



**X0035**



Metric Female 24°  
Seat Light Multiseal

35

**X0135**



90° Metric Swept  
Elbow 24° Seat Light  
Multiseal

36

**X0235**



45° Metric Swept  
Elbow 24° Seat Light  
Multiseal

36



**X0500**



Metric Male 24° Seat  
Light

37



**X0085**



Metric Female 24°  
Seat Light

38

**X0085**



Metric Female 24°  
Seat Light Crimped  
Nut

39

**X0185**



90° Metric Swept  
Elbow 24° Seat Light

40

**X0185**



90° Metric Swept  
Elbow 24° Seat Light  
Crimped Nut

40

**X0285**



45° Metric Swept  
Elbow 24° Seat Light

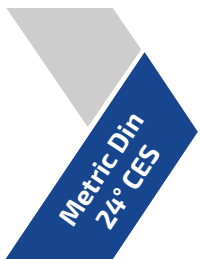
41

**X0285**



45° Metric Swept  
Elbow 24° Seat Light  
Crimped Nut

41



**X0450**



Metric Male 24° Seat  
Heavy

42



**X0084**



Metric Female 24°  
Seat Heavy

43

**X0184**



90° Metric Swept EL-  
bow 24° Seat Heavy

44

**X0284**



45° Metric Swept EL-  
bow 24° Seat Heavy

45



**X1350**



Metric Banjo

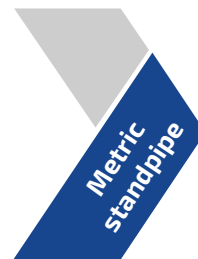
46

**X1650**



Metric perfored bolt

47





**X0550**



Metric Standpipe

48

**X0650**



90° Metric Standpipe

49

**X0750**



45° Metric Standpipe

50



**XFK50**



K' Female

51

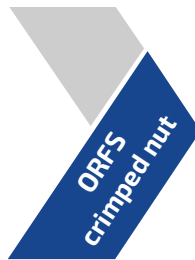


**XS350**



ORFS Male

52



**XS050**



ORFS Female

53

**XS150**



ORFS 90° Swept Elbow

54

**XS250**



ORFS 45° Swept Elbow

55



**X1260**



Straight SAE Flange 3000 PSI

56

**X1060**



90° SAE Flange 3000 PSI

57

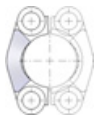
**X1160**



45° SAE Flange 3000 PSI

58

**XS003**



Cut Split Flanges - 3000 psi

58



**X1310**



Straight SAE Flange 6000 PSI

59

**X1110**



90° SAE Flange 6000 PSI

60

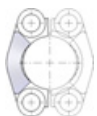
**X1210**



45° SAE Flange 6000 PSI

61

**XS006**



Cut Split Flanges - 6000 psi

62



**XD050**

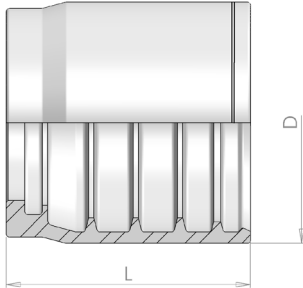


Hose Junction

62

# X001C

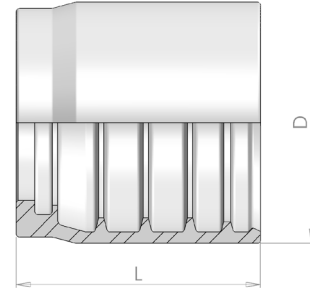
## Swaged Ferrule (no skive)



Part number	Hose I.D.		Dimensions		Skive Length
			D	L	
	in	mm			
X001C-03	3/16	4,8	19	24	NO
X001C-04	1/4	6.4	20	26	NO
X001C-05	5/16	7.9	22	26	NO
X001C-06	3/8	9.5	25	28	NO
X001C-08	1/2	12.7	28	28	NO
X001C-10	5/8	15.9	32	29	NO
X001C-12	3/4	19	36	38	NO
X001C-16	1	25.4	44	47.5	NO
X001C-20	1.1/4	31.8	54	56	NO
X001C-24	1.1/2	38.1	62	66	NO
X001C-32	2	50.8	75	73	NO
X001C-40	2.1/2	63.5	88.4	90	NO
X001C48	3	76.2	101.5	90	NO

# X0022

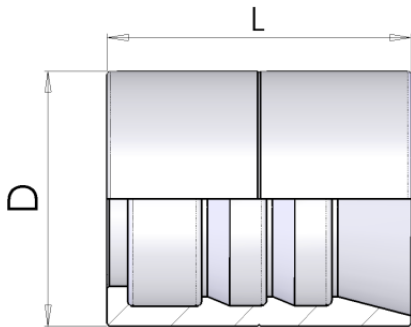
## Swaged Ferrule (no skive)



Part number	Hose I.D.		Dimensions		Skive Length
			D	L	
	in	mm			
X0022-03	3/16	4.8	21	25.6	NO
X0022-04	1/4	6.4	22	28	NO
X0022-05	5/16	7.9	24	28	NO
X0022-06	3/8	9.5	26	28	NO
X0022-08	1/2	12.7	30	31	NO
X0022-10	5/8	15.9	34	31	NO
X0022-12	3/4	19	37	38	NO
X0022-16	1	25.4	47	47.5	NO
X0022-20	1.1/4	31.8	58	56	NO
X0022-24	1.1/2	38.1	65.6	66	NO
X0022-32	2	50.8	78.6	73	NO

# X0001

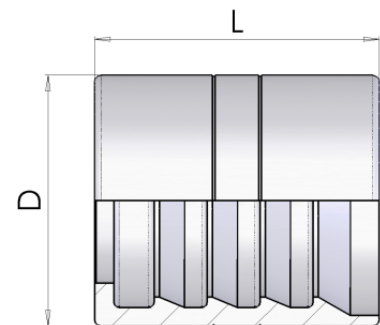
## Swaged Ferrule (skive)



Part number	Hose I.D.		Dimensions		Skive Length
			D	L	
	in	mm			
X0001-03	3/16	4.8	17.5	27	20
X0001-04	1/4	6.4	20	30.2	23
X0001-05	5/16	7.9	22	30.7	23
X0001-06	3/8	9.5	24	32	24
X0001-08	1/2	12.7	28.5	34	25
X0001-10	5/8	15.9	32	37	27
X0001-12	3/4	19	36	43	31
X0001-16	1	25.4	43	50	37
X0001-20	1.1/4	31.8	52	57	46
X0001-24	1.1/2	38.1	57	63	44
X0001-32	2	50.8	70.6	78	60

## X0002

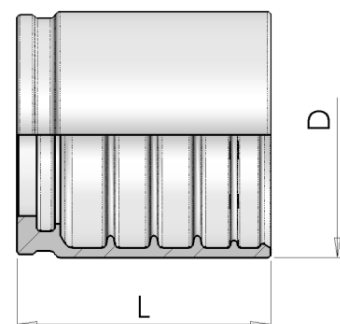
### Swaged Ferrule (skive)



Part number	Hose I.D.		Dimensions		Skive Length
			D	L	
	in	mm			
X0002-03	3/16	4.8	20	27	21
X0002-04	1/4	6.4	21	30	22
X0002-05	5/16	7.9	24	30	22
X0002-06	3/8	9.5	25.4	32	24
X0002-08	1/2	12.7	30	34	25
X0002-10	5/8	15.9	34	37	27
X0002-12	3/4	19	38	43	31
X0002-16	1	25.4	46	50	37
X0002-20	1.1/4	31.8	56	59	43
X0002-24	1.1/2	38.1	62	63	45
X0002-32	2	50.8	75	79	61

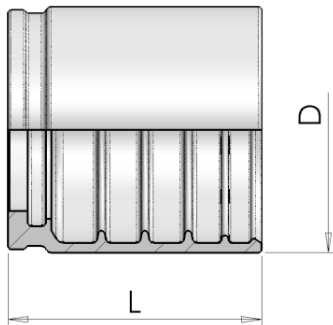
## XBMC1

### Swaged Ferrule (no skive)



Part number	Hose I.D.		Dimensions		Skive Length
			D	L	
	in	mm			
XBMC1-12	3/4	19	45	41	NO
XBMC1-16	1	25.4	53.5	56	NO
XBMC1-20	1.1/4	31.8	62	62	NO

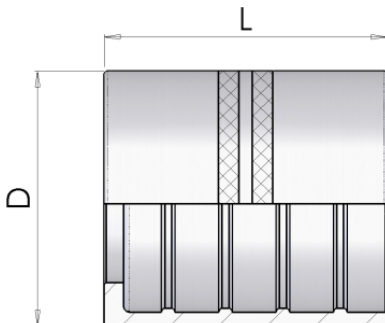
## XBMC2



### Swaged Ferrule (no skive)

Part number	Hose I.D.		Dimensions		Skive Length
			D	L	
	in	mm			
XBMC2-20	1.1/4	31.8	66	62	NO
XBMC2-24	1.1/2	38.1	73.3	70	NO

## X0003

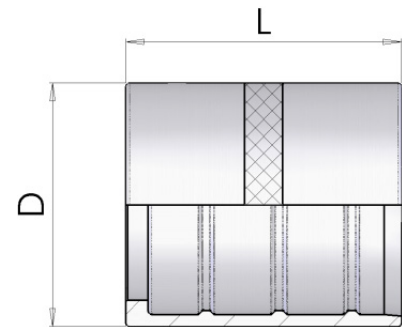


### Swaged Ferrule (no skive)

Part number	Hose I.D.		Dimensions		Skive Length
			D	L	
	in	mm			
X0003-03	3/16	4.8	14	27	NO
X0003-04	1/4	6.4	19	29	NO
X0003-05	5/16	7.9	22	30	NO
X0003-06	3/8	9.5	24	31	NO
X0003-08	1/2	12.7	28.5	34	NO
X0003-10	5/8	15.9	32	36	NO
X0003-12	3/4	19	38	42	NO
X0003-16	1	25.4	46	50	NO
X0003-20	1.1/4	31.8	52	57	NO

## X0007

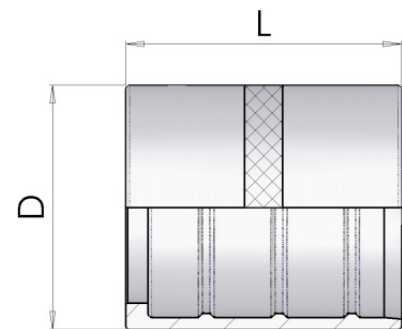
### Swaged Ferrule (no skive)



Part number	Hose I.D.		Dimensions		Skive Length
			D	L	
	in	mm			
X0007-03	3/16	4.8	14	27	NO
X0007-04	1/4	6.4	17	29	NO
X0007-05	5/16	7.9	19	30	NO
X0007-06	3/8	9.5	21	31	NO
X0007-08	1/2	12.7	25.4	34	NO
X0007-10	5/8	15.9	28.5	36	NO
X0007-12	3/4	19	32	36	NO
X0007-16	1	25.4	40	50	NO

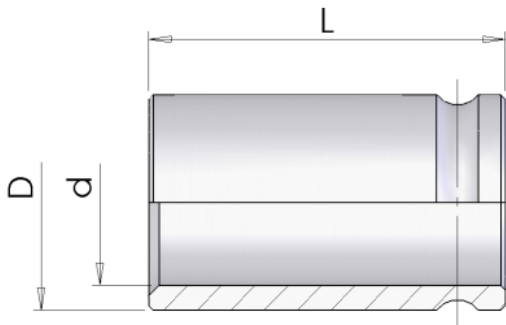
## X0008

### Swaged Ferrule (no skive)



Part number	Hose I.D.		Dimensions		Skive Length
			D	L	
	in	mm			
X0008-03	3/16	4.8	13	27	NO
X0008-04	1/4	6.4	17	29	NO
X0008-05	5/16	7.9	19	30	NO
X0008-06	3/8	9.5	21.5	31	NO
X0008-08	1/2	12.7	26	34	NO
X0008-10	5/8	15.9	29	40	NO
X0008-12	3/4	19	32	42	NO
X0008-16	1	25.4	40	50	NO

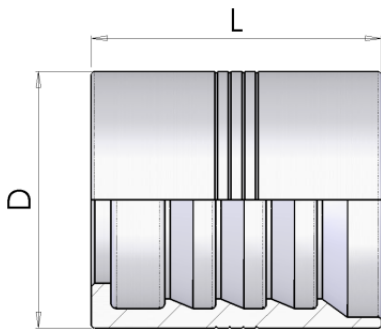
## XPTFE



### Ferrule for PTFE hose

Part number	Hose I.D.		Dimensions		Skive Lenght
			D	L	
	in	mm			
XPTFE-03	3/16	4.8	9.5	22	NO
XPTFE-04	1/4	6.4	11.1	23.9	NO
XPTFE-05	5/16	7.9	13	24.6	NO
XPTFE-06	3/8	9.5	15	27.4	NO
XPTFE-08	1/2	12.7	18.3	28.7	NO
XPTFE-10	5/8	15.9	23.1	31.7	NO
XPTFE-12	3/4	19	24.8	34.5	NO
XPTFE-16	1	25.4	34.3	43.6	NO

## X0009



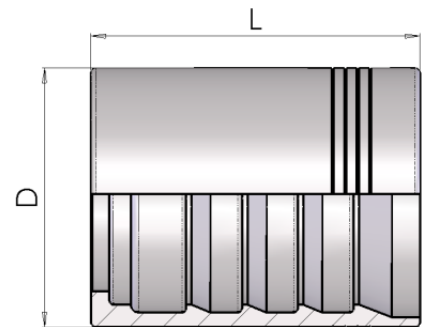
### Swaged Ferrule (skive)

Part number	Hose I.D.		Dimensions		Skive Lenght
			D	L	
	in	mm			
X0009-04	1/4	6.4	15.3	30	22
X0009-06	3/8	9.5	18.3	33.5	26
X0009-08	1/2	12.7	22	36	28
X0009-10	5/8	15.9	25.7	40	31
X0009-12	3/4	19	29.4	43	34
X0009-16	1	25.4	36.1	60	48
X0009-20	1.1/4	31.8	46.7	66	54
X0009-24	1.1/2	38.1	55.7	76.5	62
X0009-32	2	50.8	68.8	79.8	64



## X004H

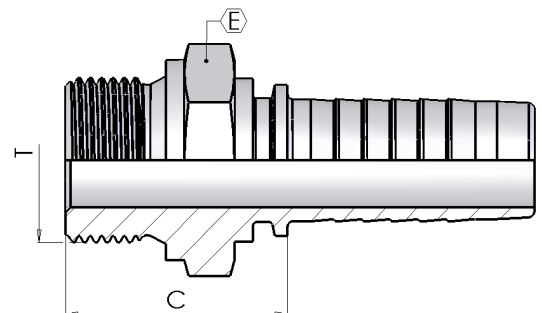
### Swaged Ferrule (skive)



Part number	Hose I.D.		Dimensions		Skive Length
			D	L	
	in	mm			
X004H-20	1.1/4	31.8	43	66	55
X004H-24	1.1/2	38.1	50.4	76.5	63
X004H-32	2	50.8	65.5	79.8	65

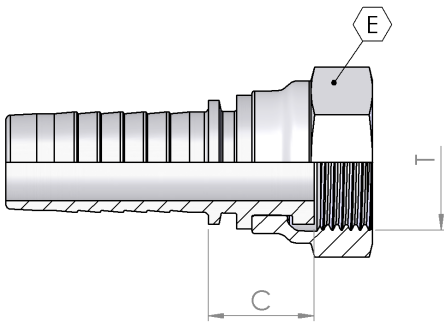
## X0345

### BSP Male - Flat Seat



Part number	Hose I.D.		Dimensions			
			dash	Thread	Cut-Off	Hex
			size	T	C	E
X0345-03-02	3/16	4.8	03	1/8-28	21	14
X0345-04-04	1/4	6.4	04	1/4-19	27	19
X0345-04-06	1/4	6.4	04	3/8-19	28	22
X0345-05-06	5/16	7.9	05	3/8-19	28	22
X0345-06-06	3/8	9.5	06	3/8-19	29	22
X0345-06-08	3/8	9.5	06	1/2-14	32	27
X0345-08-08	1/2	12.7	08	1/2-14	33	27
X0345-08-10	1/2	12.7	08	5/8-14	35	30
X0345-08-12	1/2	12.7	08	3/4-14	35	32
X0345-10-10	5/8	15.9	10	5/8-14	35	30
X0345-10-12	5/8	15.9	10	3/4-14	35	32
X0345-12-12	3/4	19	12	3/4-14	36	32
X0345-12-16	3/4	19	12	1-11	39	41
X0345-16-16	1	25.4	16	1-11	40	41

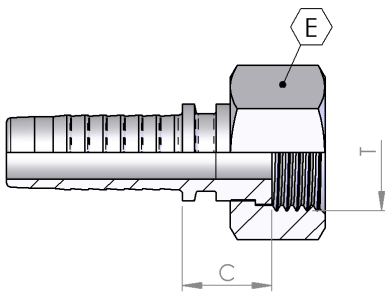
## X0061



### BSP Female Flat Seal

Part number	Hose I.D.		Dimensions			
			dash	Thread	Cut-Off	Hex
	in	mm	size	T	C	E
X0061-08-12	1/2	12.7	08	3/4-14	23	32
X0061-10-10	5/8	15.9	10	5/8-14	16	30
X0061-10-12	5/8	15.9	10	3/4-14	20	32
X0061-12-12	3/4	19	12	3/4-14	21	32
X0061-12-16	3/4	19	12	1-11	23	38
X0061-16-16	1	25.4	16	1-11	22	38
X0061-24-24	1.1/2	38.1	24	1.1/2-11	27	55

## X0062

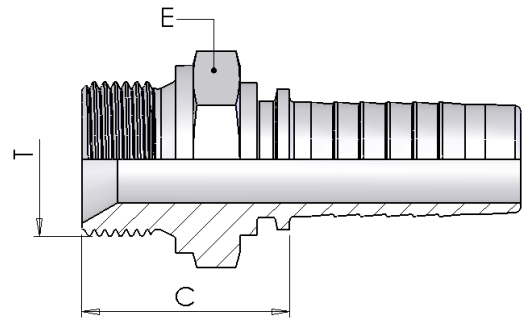


### BSP Female Flat Seal - Slip on Nut

Part number	Hose I.D.		Dimensions			
			dash	Thread	Cut-Off	Hex
	in	mm	size	T	C	E
X0062-04-04	1/4	6.4	04	1/4-19	14	19
X0062-04-06	1/4	6.4	04	3/8-19	15	22
X0062-05-06	5/16	7.9	05	3/8-19	15	22
X0062-06-06	3/8	9.5	06	3/8-19	15	22
X0062-06-08	3/8	9.5	06	1/2-14	16	27
X0062-08-08	1/2	12.7	08	1/2-14	16	27

# X0350

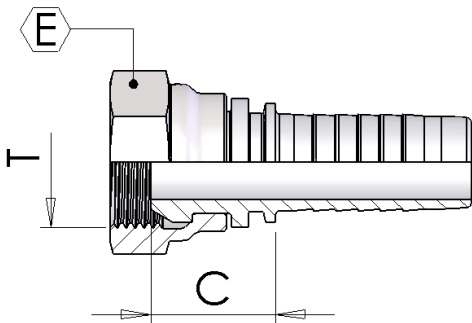
## BSP Male Parallel 60° Cone



Part number	Hose I.D.		Dimensions			
			dash	Thread	Cut-Off	Hex
	in	mm	size	T	C	E
X0350-03-02	3/16	4.8	03	1/8-28	21	14
X0350-03-04	3/16	4.8	03	1/4-19	26	19
X0350-04-02	1/4	6.4	04	1/8-28	21	14
X0350-04-04	1/4	6.4	04	1/4-19	27	19
X0350-04-06	1/4	6.4	04	3/8-19	28	22
X0350-04-08	1/4	6.4	04	1/2-14	35	27
X0350-05-04	5/16	7.9	05	1/4-19	27	19
X0350-05-06	5/16	7.9	05	3/8-19	28	22
X0350-05-08	5/16	7.9	05	1/2-14	32	27
X0350-06-04	3/8	9.5	06	1/4-19	27	19
X0350-06-06	3/8	9.5	06	3/8-19	29	22
X0350-06-08	3/8	9.5	06	1/2-14	32	27
X0350-08-06	1/2	12.7	08	3/8-19	29	22
X0350-08-08	1/2	12.7	08	1/2-14	33	27
X0350-08-10	1/2	12.7	08	5/8-14	34	30
X0350-08-12	1/2	12.7	08	3/4-14	35	32
X0350-10-08	5/8	15.9	10	1/2-14	33	27
X0350-10-10	5/8	15.9	10	5/8-14	35	30
X0350-10-12	5/8	15.9	10	3/4-14	35	32
X0350-12-12	3/4	19	12	3/4-14	36	32
X0350-12-16	3/4	19	12	1-11	39	41
X0350-16-16	1	25.4	16	1-11	40	41
X0350-16-20	1	25.4	16	1.1/4-11	44	50
X0350-20-16	1.1/4	31.8	20	1-11	41	41
X0350-20-20	1.1/4	31.8	20	1.1/4-11	45	50
X0350-20-24	1.1/4	31.8	20	1.1/2-11	46	55
X0350-24-24	1.1/2	38.1	24	1.1/2-11	46	55
X0350-24-32	1.1/2	38.1	24	2-11	54	70
X0350-32-24	2	50.8	32	1.1/2-11	50	65
X0350-32-32	2	50.8	32	2-11	54	70

# X0051

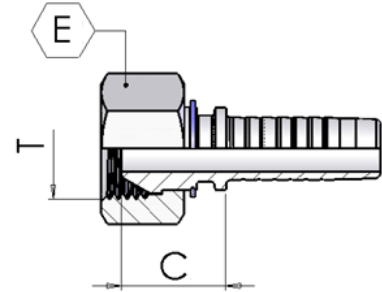
## BSP Female 60° Cone - Crimped Nut



Part number	Hose I.D.		Dimensions			
			dash	Thread	Cut-Off	Hex
	in	mm	size	T	C	E
X0051-03-02	3/16	4.8	03	1/8-28	15	14
X0051-04-02	1/4	6.4	04	1/8-28	15	14
X0051-04-08	1/4	6.4	04	1/2-14	22	27
X0051-05-04	5/16	7.9	05	1/4-19	17	19
X0051-06-04	3/8	9.5	06	1/4-19	17	19
X0051-08-06	1/2	12.7	08	3/8-19	20	22
X0051-08-10	1/2	12.7	08	5/8-14	20	30
X0051-08-12	1/2	12.7	08	3/4-14	27	32
X0051-10-08	5/8	15.9	10	1/2-14	23	27
X0051-10-10	5/8	15.9	10	5/8-14	20	30
X0051-10-12	5/8	15.9	10	3/4-14	25	32
X0051-12-08	3/4	19	12	1/2-14	24	27
X0051-12-12	3/4	19	12	3/4-14	25	32
X0051-12-16	3/4	19	12	1-11	26	38
X0051-16-12	1	25.4	16	3/4-14	27	32
X0051-16-16	1	25.4	16	1-11	27	38
X0051-20-20	1.1/4	31.8	20	1.1/4-11	33	50
X0051-24-24	1.1/2	38.1	24	1.1/2-11	33	70
X0051-32-32	2	50.8	32	2-11	54	70

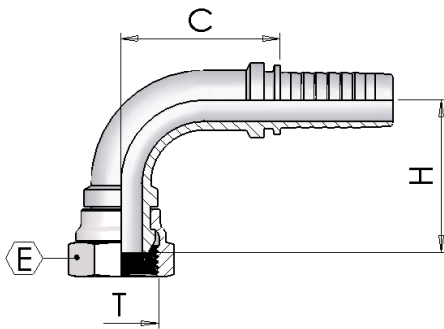
# X0052

## BSP Female 60° Cone - Slip On Nut



Part number	Hose I.D.		Dimensions			
			dash	Thread	Cut-Off	Hex
	in	mm	size	T	C	E
X0052-03-04	3/16	4.8	03	1/4-19	17	19
X0052-04-04	1/4	6.4	04	1/4-19	17	19
X0052-04-06	1/4	6.4	04	3/8-19	19	22
X0052-05-06	5/16	7.9	05	3/8-19	19	22
X0052-05-08	5/16	7.9	05	1/2-14	22	27
X0052-06-06	3/8	9.5	06	3/8-19	17	22
X0052-06-08	3/8	9.5	06	1/2-14	22	27
X0052-08-08	1/2	12.7	08	1/2-14	21	27

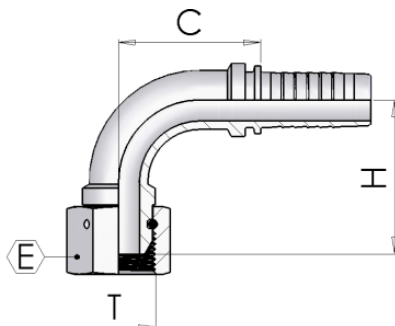
## X0151



### BSP 90° Swept elbow 60° Cone - Crimped Nut

Part number	Hose I.D.		Dimensions				
			dash	Thread	Cut-Off	Hex	Drop
			size	T	C	E	H
X0151-03-02	3/16	4,8	03	1/8-28	22	14	23
X0151-04-02	1/4	6.4	04	1/8-28	25	14	25
X0151-05-04	5/16	7.9	05	1/4-19	31	19	31
X0151-06-04	3/8	9.5	06	1/4-19	31	19	33
X0151-08-06	1/2	12.7	08	3/8-19	39	22	42
X0151-08-10	1/2	12.7	08	5/8-14	40	30	41
X0151-08-12	1/2	12.7	08	3/4-14	41	32	46
X0151-10-10	5/8	15.9	10	5/8-14	43	30	43
X0151-10-12	5/8	15.9	10	3/4-14	45	32	50
X0151-12-12	3/4	19	12	3/4-14	58	32	57
X0151-12-16	3/4	19	12	1-11	56	38	60
X0151-16-16	1	25.4	16	1-11	70	38	67

## X0150

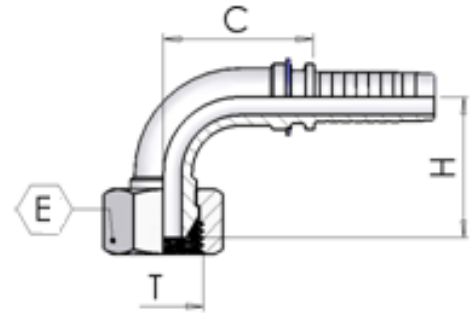


### BSP 90° Swept Elbow 60° Cone - Thrust Wire

Part number	Hose I.D.		Dimensions				
			dash	Thread	Cut-Off	Hex	Drop
			size	T	C	E	H
X0150-20-20	1.1/4	31.8	20	1.1/4-11	86	50	81
X0150-24-24	1.1/2	38.1	24	1.1/2-11	103	55	95
X0150-32-32	2	50.8	32	2-11	122	70	135

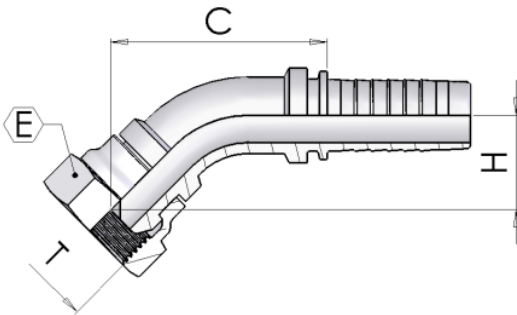
## X0152

## BSP 90° Swept elbow 60° Cone - Slip On Nut



Part number	Hose I.D.		Dimensions				
			dash	Thread	Cut-Off	Hex	Drop
	in	mm	size	T	C	E	H
X0152-03-04	3/16	4.8	03	1/4-19	22	19	22
X0152-04-04	1/4	6.4	04	1/4-19	25	17	27
X0152-04-06	1/4	6.4	04	3/8-19	27	22	25
X0152-05-06	5/16	7.9	05	3/8-19	29	22	35
X0152-06-06	3/8	9.5	06	3/8-19	42	22	31
X0152-06-08	3/8	9.5	06	1/2-14	31	27	40
X0152-08-08	1/2	12.7	08	1/2-14	42	27	41

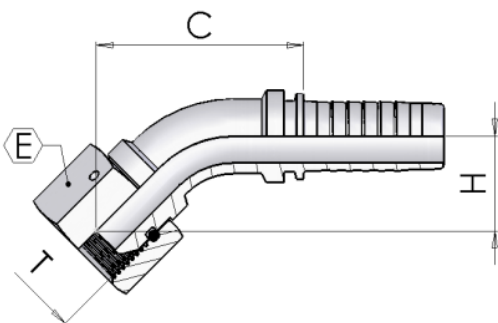
## X0251



### BSP 45° Swept Elbow 60° Cone - Crimped Nut

Part number	Hose I.D.		Dimensions				
			dash size	Thread T	Cut-Off C	Hex E	Drop H
X0251-03-02	3/16	4.8	03	1/8-28	33	14	15
X0251-04-02	1/4	6.4	04	1/8-28	40	14	14
X0251-05-04	5/16	7.9	05	1/4-19	47	19	16
X0251-06-04	3/8	9.5	06	1/4-19	50	19	16
X0251-08-06	1/2	12.7	08	3/8-19	63	22	22
X0251-08-10	1/2	12.7	08	5/8-14	64	30	21
X0251-08-12	1/2	12.7	08	3/4-14	67	32	26
X0251-10-08	5/8	15.9	10	1/2-14	68	27	24
X0251-10-10	5/8	15.9	10	5/8-14	68	30	23
X0251-10-12	5/8	15.9	10	3/4-14	72	32	27
X0251-12-12	3/4	19	12	3/4-14	86	32	30
X0251-12-16	3/4	19	12	1-11	88	38	32
X0251-16-16	1	25.4	16	1-11	107	38	35

## X0250



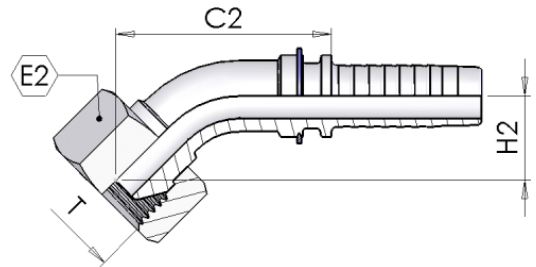
### BSP 45° Swept Elbow 60° Cone - Thrust Wire Nut with O-Ring

Part number	Hose I.D.		Dimensions				
			dash size	Thread T	Cut-Off C	Hex E	Drop H
X0250-20-20	1.1/4	31.8	20	1.1/4-11	107	50	40
X0250-24-24	1.1/2	38.1	24	1.1/2-11	117	55	47
X0250-32-32	2	50.8	32	2-11	142	70	65



# X0252

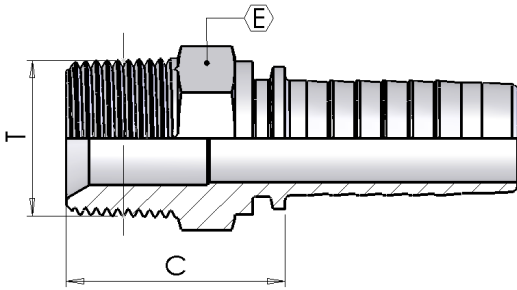
## BSP 45° Swept Elbow 60° Cone - Slip On Nut



Part number	Hose I.D.		Dimensions				
			dash	Thread	Cut-Off	Hex	Drop
	in	mm	size	T	C	E	H
X0252-03-04	3/16	4.8	03	1/4-19	35	19	15
X0252-04-04	1/4	6.4	04	1/4-19	41	19	15
X0252-04-06	1/4	6.4	04	3/8-19	44	22	18
X0252-05-06	5/16	7.9	05	3/8-19	51	22	19
X0252-06-06	3/8	9.5	06	3/8-19	49	22	15
X0252-06-08	3/8	9.5	06	1/2-14	55	27	21
X0252-08-08	1/2	12.7	08	1/2-14	61	27	19

# X0360

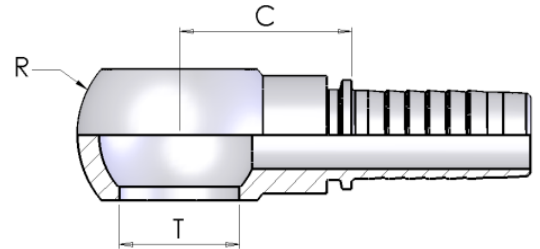
## BSP Taper Male 60° Cone



Part number	Hose I.D.		Dimensions			
			dash	Thread	Cut-Off	Hex
	in	mm	size	T	C	E
X0360-03-02	3/16	4.8	03	1/8-28	21	12
X0360-03-04	3/16	4.8	03	1/4-19	27	15
X0360-04-02	1/4	6.4	04	1/8-28	22	12
X0360-04-04	1/4	6.4	04	1/4-19	28	15
X0360-04-06	1/4	6.4	04	3/8-19	28	19
X0360-05-04	5/16	7.9	05	1/4-19	28	15
X0360-05-06	5/16	7.9	05	3/8-19	28	19
X0360-06-04	3/8	9.5	06	1/4-19	28	17
X0360-06-06	3/8	9.5	06	3/8-19	28	19
X0360-06-08	3/8	9.5	06	1/2-14	33	22
X0360-08-06	1/2	12.7	08	3/8-19	29	19
X0360-08-08	1/2	12.7	08	1/2-14	34	22
X0360-08-12	1/2	12.7	08	3/4-14	36	27
X0360-10-08	5/8	15.9	10	1/2-14	34	22
X0360-10-10	5/8	15.9	10	5/8-14	35	24
X0360-10-12	5/8	15.9	10	3/4-14	36	27
X0360-12-12	3/4	19	12	3/4-14	37	27
X0360-12-16	3/4	19	12	1-11	43	36
X0360-16-16	1	25.4	16	1-11	44	36
X0360-16-20	1	25.4	16	1.1/4-11	46	46
X0360-20-20	1.1/4	31.8	20	1.1/4-11	47	46
X0360-20-24	1.1/4	31.8	20	1.1/2-11	49	50
X0360-24-24	1.1/2	38.1	24	1.1/2-11	49	50
X0360-24-32	1.1/2	38.1	24	2-11	55	65
X0360-32-32	2	50.8	32	2-11	55	65

## X1400

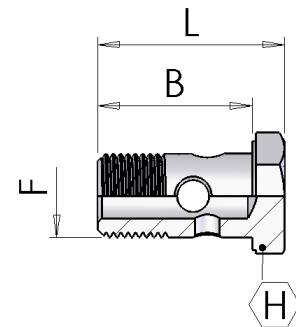
### BSP Banjo



Part number	Hose I.D.		Dimensions			
			dash		Cut-Off	
	in	mm	size	mm	C	R
X1400-04-04	1/4	6.4	04	13.3	26	24
X1400-04-06	1/4	6.4	04	17	26	28
X1400-05-06	5/16	7.9	05	17	26	28
X1400-06-06	3/8	9.5	06	17	26	28
X1400-06-08	3/8	9.5	06	21.2	31	36
X1400-08-08	1/2	12.7	08	21.2	31	36
X1400-12-12	3/4	19	12	26.5	38	45
X1400-16-16	1	25.4	16	33.5	50	58

## X1600-00

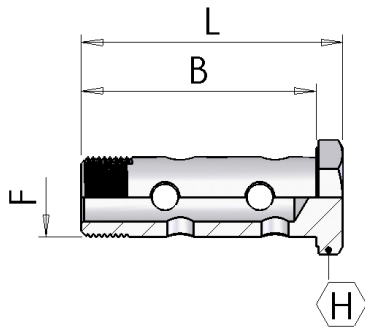
### BSP perforded bolt



Part number	Dimensions			
				Drop
	B	F	L	H
X1600-00-02	19	1/8"-28	24	14
X1600-00-04	29	1/4"-19	34	19
X1600-00-06	33	3/8"-19	41	22
X1600-00-08	38	1/2"-14	46	27
X1600-00-12	47	3/4"-14	56	32
X1600-00-16	58	1"-11	69	41

# X1600

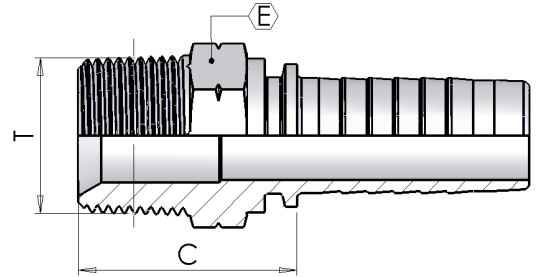
## Double BSP perforded bolt



Part number	Dimensions			Drop
	B	F	L	
X1600-04-04	43	1/4"-19	49	19
X1600-06-06	49	3/8"-19	57	22
X1600-08-08	62	1/2"-14	70	27
X1600-12-12	78	3/4"-14	87	32
X1600-16-16	98	1"-11	109	41

# X0370

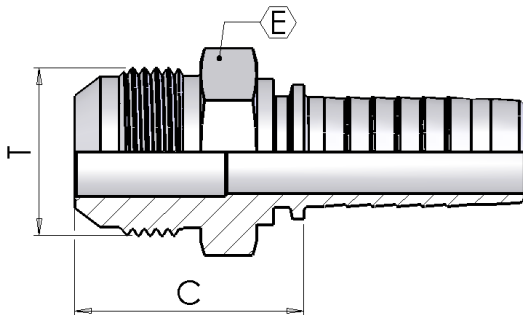
## NPTF Male 60° Cone



Part number	Hose I.D.		Dimensions			
			dash	Thread	Cut-Off	Hex
	in	mm	size	T	C	E
X0370-03-02	3/16	4.8	03	1/8-27	22	12
X0370-03-04	3/16	4.8	03	1/4-18	27	15
X0370-04-02	1/4	6.4	04	1/8-27	22	12
X0370-04-04	1/4	6.4	04	1/4-18	28	15
X0370-04-06	1/4	6.4	04	3/8-18	28	19
X0370-05-04	5/16	7.9	05	1/4-18	28	15
X0370-05-06	5/16	7.9	05	3/8-18	28	19
X0370-05-08	5/16	7.9	05	1/2-14	34	22
X0370-06-04	3/8	9.5	06	1/4-18	28	17
X0370-06-06	3/8	9.5	06	3/8-18	28	19
X0370-06-08	3/8	9.5	06	1/2-14	34	22
X0370-08-06	1/2	12.7	08	3/8-18	29	19
X0370-08-08	1/2	12.7	08	1/2-14	35	22
X0370-08-12	1/2	12.7	08	3/4-14	36	27
X0370-10-08	5/8	15.9	10	1/2-14	35	24
X0370-10-12	5/8	15.9	10	3/4-14	36	27
X0370-12-08	3/4	19	12	1/2-14	36	24
X0370-12-12	3/4	19	12	3/4-14	37	27
X0370-12-16	3/4	19	12	1-11.1/2	43	36
X0370-16-16	1	25.4	16	1-11.1/2	44	36
X0370-16-20	1	25.4	16	1.1/4-11.1/2	46	46
X0370-20-16	1.1/4	31.8	20	1-11.1/2	45	41
X0370-20-20	1.1/4	31.8	20	1.1/4-11.1/2	47	46
X0370-24-24	1.1/2	38.1	24	1.1/2-11.1/2	49	50
X0370-32-32	2	50.8	32	2-11.1/2	55	65

# X0850

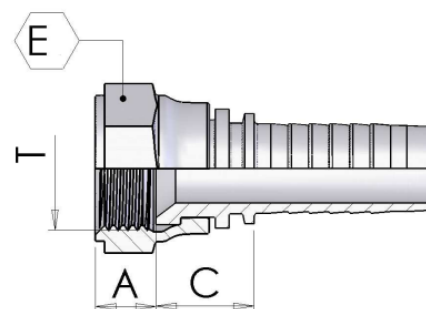
## JIC Male 74° Cone



Part number	Hose I.D.		Dimensions			
			dash	Thread	Cut-Off	Hex
	in	mm	size	T	C	E
X0850-03-04	3/16	4.8	03	7/16-20	26	12
X0850-04-04	1/4	6.4	04	7/16-20	27	12
X0850-04-05	1/4	6.4	04	1/2-20	27	14
X0850-04-06	1/4	6.4	04	9/16-18	27	15
X0850-05-05	5/16	7.9	05	1/2-20	27	14
X0850-05-06	5/16	7.9	05	9/16-18	27	15
X0850-05-08	5/16	7.9	05	3/4-16	30	19
X0850-06-06	3/8	9.5	06	9/16-18	27	15
X0850-06-07	3/8	9.5	06	5/8-18	30	17
X0850-06-08	3/8	9.5	06	3/4-16	30	19
X0850-06-10	3/8	9.5	06	7/8-14	34	24
X0850-08-06	1/2	12.7	08	9/16-18	28	19
X0850-08-08	1/2	12.7	08	3/4-16	31	19
X0850-08-10	1/2	12.7	08	7/8-14	35	24
X0850-08-12	1/2	12.7	08	1.1/16-12	37	27
X0850-10-10	5/8	15.9	10	7/8-14	35	24
X0850-10-12	5/8	15.9	10	1.1/16-12	37	27
X0850-12-10	3/4	19	12	7/8-14	36	24
X0850-12-12	3/4	19	12	1.1/16-12	38	27
X0850-12-14	3/4	19	12	1.3/16-12	41	32
X0850-12-16	3/4	19	12	1.5/16-12	42	34
X0850-12-20	3/4	19	12	1.5/8-12	45	42
X0850-16-12	1	25.4	16	1.1/16-12	39	27
X0850-16-14	1	25.4	16	1.3/16-12	42	32
X0850-16-16	1	25.4	16	1.5/16-12	43	34
X0850-16-20	1	25.4	16	1.5/8-12	46	42
X0850-20-20	1.1/4	31.8	20	1.5/8-12	47	42
X0850-20-24	1.1/4	31.8	20	1.7/8-12	52	50
X0850-24-24	1.1/2	38.1	24	1.7/8-12	52	50
X0850-32-32	2	50.8	32	2.1/2-12	62	65

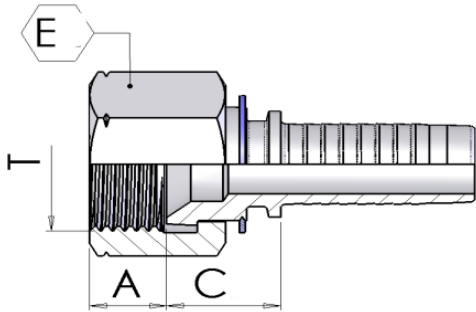
## X0901

## JIC Female 74° Cone Crimped Nut



Part number	Hose I.D.		Dimensions				
			dash size	Thread T	Cut-Off C	A	Hex E
X0901-03-04	3/16	4.8	03	7/16-20	14	9	15
X0901-04-04	1/4	6.4	04	7/16-20	14	9	15
X0901-04-07	1/4	6.4	04	5/8-18	17	11	22
X0901-05-05	5/16	7.9	05	1/2-20	15	10	17
X0901-05-07	5/16	7.9	05	5/8-18	17	9	22
X0901-06-04	3/8	9.5	06	7/16-20	15	9	15
X0901-06-05	3/8	9.5	06	1/2-20	15	10	17
X0901-06-06	3/8	9.5	06	9/16-18	16	9	19
X0901-06-07	3/8	9.5	06	5/8-18	16	11	22
X0901-08-08	1/2	12.7	08	3/4-16	18	11	24
X0901-10-10	5/8	15.9	10	7/8-14	19	13	27
X0901-12-10	3/4	19	12	7/8-14	20	13	27
X0901-12-12	3/4	19	12	1.1/16-12	22	14	32
X0901-12-14	3/4	19	12	1.3/16-12	23	14	36
X0901-12-16	3/4	19	12	1.5/16-12	21	16	38
X0901-16-12	1	25.4	16	1.1/16-12	23	14	32
X0901-16-16	1	25.4	16	1.5/16-12	24	16	38

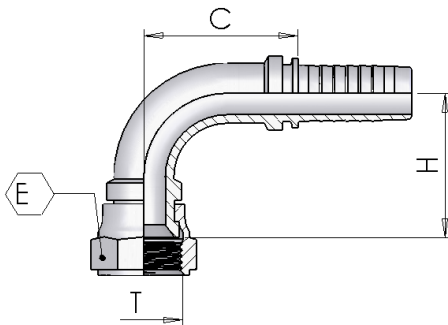
## X0902



### JIC Female 74° Cone - Slip On Nut

Part number	Hose I.D.		Dimensions				
			dash	Thread	Cut-Off		Hex
	in	mm	size	T	C	A	E
X0902-04-05	1/4	6.4	04	1/2-20	17	10	17
X0902-04-06	1/4	6.4	04	9/16-18	17	9	19
X0902-05-06	5/16	7.9	05	9/16-18	16	9	19
X0902-06-08	3/8	9.5	06	3/4-16	18	11	22
X0902-08-10	1/2	12.7	08	7/8-14	20	13	27
X0902-10-12	5/8	15.9	10	1.1/16-12	20	14	32

## X0951



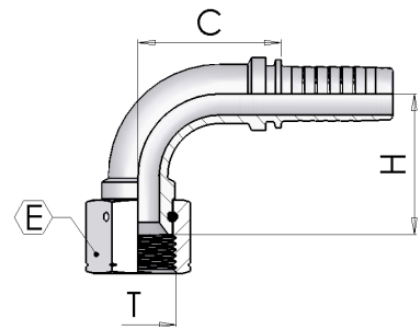
### JIC 90° Swept Elbow 74° Cone - Crimped Nut

Part number	Hose I.D.		Dimensions				
			dash	Thread	Cut-Off	Hex	Drop
	in	mm	size	T	C	E	H
X0951-03-04	3/16	4.8	03	7/16-20	22	15	22
X0951-04-04	1/4	6.4	04	7/16-20	25	15	24
X0951-05-05	5/16	7.9	05	1/2-20	29	17	30
X0951-06-05	3/8	9.5	06	1/2-20	33	17	30
X0951-06-06	3/8	9.5	06	9/16-18	31	19	32
X0951-08-08	1/2	12.7	08	3/4-16	41	24	41
X0951-10-10	5/8	15.9	10	7/8-14	43	27	44
X0951-12-16	3/4	19	12	1.5/16-12	56	38	57
X0951-16-16	1	25.4	16	1.5/16-12	70	38	65



## X0950

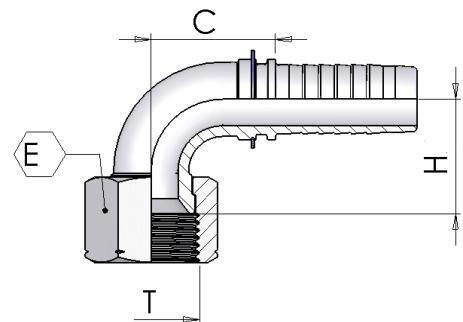
### JIC 90° Swept Elbow 74° Cone - Thrust Wire



Part number	Hose I.D.		Dimensions				
			dash	Thread	Cut-Off	Hex	Drop
	in	mm	size	T	C	E	H
X0950-20-20	1.1/4	31.8	20	1.5/8-12	87	50	83
X0950-24-24	1.1/2	38.1	24	1.7/8-12	102	55	97
X0950-32-32	2	50.8	32	2.1/2-12	121	70	134

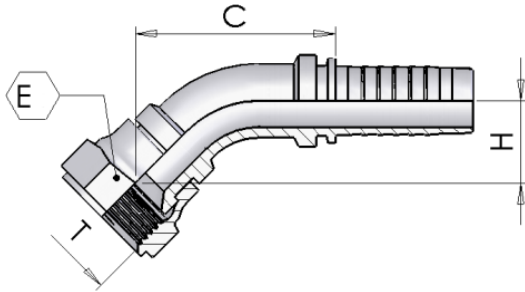
## X0952

### JIC 90° Swept Elbow 74° Cone - Slip on Nut



Part number	Hose I.D.		Dimensions				
			dash	Thread	Cut-Off	Hex	Drop
	in	mm	size	T	C	E	H
X0952-04-05	1/4	6.4	04	1/2-20	27	17	21
X0952-04-06	1/4	6.4	04	9/16-18	26	19	21
X0952-05-06	5/16	7.9	05	9/16-18	25	19	32
X0952-06-08	3/8	9.5	06	3/4-16	35	22	26
X0952-06-10	3/8	9.5	06	7/8-14	33	27	36
X0952-08-10	1/2	12.7	08	7/8-14	40	27	32
X0952-08-12	1/2	12.7	08	1.1/16-12	39	32	43
X0952-10-12	5/8	15.9	10	1.1/16-12	47	32	37
X0952-12-12	3/4	19	12	1.1/16-12	58	32	45

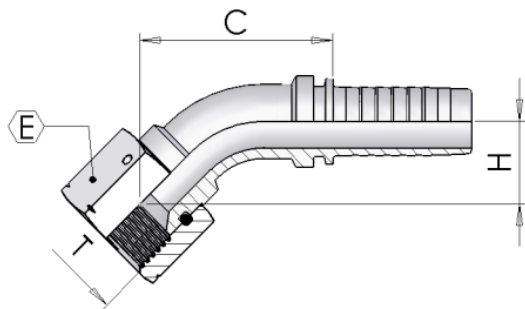
## X1001



### JIC 45° Swept Elbow 74° Cone - Crimped Nut

Part number	Hose I.D.		Dimensions				
			dash	Thread	Cut-Off	Hex	Drop
	in	mm	size	T	C	E	H
X1001-03-04	3/16	4.8	03	7/16-20	33	15	15
X1001-04-04	1/4	6.4	04	7/16-20	38	15	13
X1001-05-05	5/16	7.9	05	1/2-20	46	17	17
X1001-06-05	3/8	9.5	06	1/2-20	49	17	16
X1001-06-06	3/8	9.5	06	9/16-18	51	19	17
X1001-08-08	1/2	12.7	08	3/4-16	62	24	22
X1001-10-10	5/8	15.9	10	7/8-14	68	27	24
X1001-12-16	3/4	19	12	1.5/16-12	86	38	30
X1001-16-16	1	25.4	16	1.5/16-12	104	38	33

## X1000

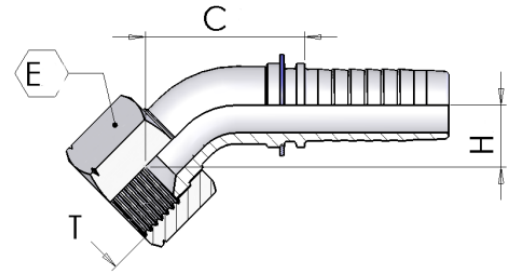


### JIC 45° Swept Elbow 74° Cone - Thrust Wire

Part number	Hose I.D.		Dimensions				
			dash	Thread	Cut-Off	Hex	Drop
	in	mm	size	T	C	E	H
X1000-20-20	1.1/4	31,8	20	1.5/8-12	108	50	40
X1000-24-24	1.1/2	38,1	24	1.7/8-12	119	55	49
X1000-32-32	2	50,8	32	2.1/2-12	142	70	65

# X1002

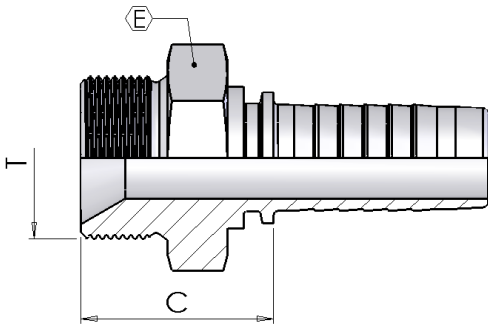
## JIC 45° Swept Elbow 74° Cone - Slip On Nut



Part number	Hose I.D.		Dimensions				
			dash	Thread	Cut-Off	Hex	Drop
	in	mm	size	T	C	E	H
X1002-04-05	1/4	6.4	04	1/2-20	38	17	11
X1002-04-06	1/4	6.4	04	9/16-18	38	19	11
X1002-05-06	5/16	7.9	05	9/16-18	49	19	20
X1002-06-08	3/8	9.5	06	3/4-16	48	22	13
X1002-06-10	3/8	9.5	06	7/8-14	54	27	21
X1002-08-10	1/2	12.7	08	7/8-14	58	27	16
X1002-08-12	1/2	12.7	08	1.1/16-12	68	32	25
X1002-10-12	5/8	15.9	10	1.1/16-12	66	32	18
X1002-12-12	3/4	19	12	1.1/16-12	81	32	21

# X0400

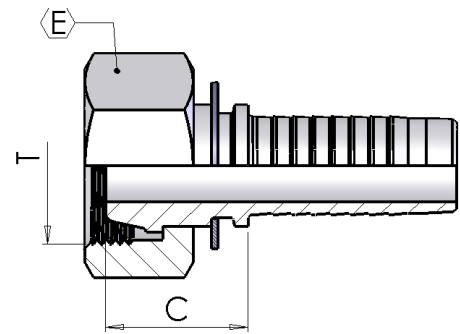
## Metric Male 60° cone



Part number	Hose I.D.		Dimensions			
			dash	Thread	Cut-Off	Hex
	in	mm	size	T	C	E
X0400-03-10	3/16	4.8	03	M10-1	19	14
X0400-03-12	3/16	4.8	03	M12-1.5	25	17
X0400-04-10	1/4	6.4	04	M10-1	20	14
X0400-04-12	1/4	6.4	04	M12-1.5	26	17
X0400-04-14	1/4	6.4	04	M14-1.5	26	19
X0400-04-16	1/4	6.4	04	M16-1.5	26	22
X0400-05-12	5/16	7.9	05	M12-1.5	26	17
X0400-05-16	5/16	7.9	05	M16-1.5	26	22
X0400-05-18	5/16	7.9	05	M18-1.5	26	24
X0400-06-14	3/8	9.5	06	M14-1.5	26	19
X0400-06-16	3/8	9.5	06	M16-1.5	26	22
X0400-06-18	3/8	9.5	06	M18-1.5	27	24
X0400-06-22	3/8	9.5	06	M22-1.5	27	27
X0400-08-18	1/2	12.7	08	M18-1.5	28	24
X0400-08-22	1/2	12.7	08	M22-1.5	30	27
X0400-10-26	5/8	15.9	10	M26-1.5	32	32
X0400-12-26	3/4	19	12	M26-1.5	33	32
X0400-12-30	3/4	19	12	M30-1.5	36	36
X0400-16-38	1	25.4	16	M38-1.5	37	46
X0400-20-45	1.1/4	31.8	20	M45-1.5	39	55

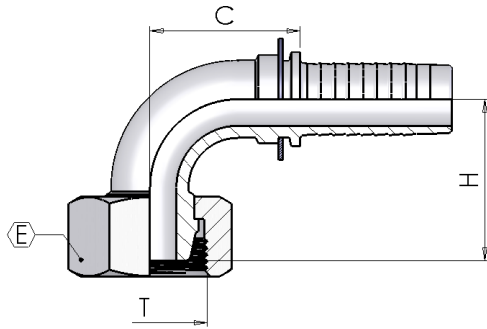
# X0035

## Metric Female 24° - Seat Light Multiseal



Part number	Hose I.D.		Dimensions				
			dash	Thread		Cut-Off	Hex
	in	mm	size	T	Erm	C	E
X0035-03-12	3/16	4.8	03	M12-1.5	6	19	14
X0035-03-16	3/16	4.8	03	M16-1.5	10	18	19
X0035-04-14	1/4	6.4	04	M14-1.5	8	19	17
X0035-04-16	1/4	6.4	04	M16-1.5	10	19	19
X0035-05-16	5/16	7.9	05	M16-1.5	10	19	19
X0035-05-18	5/16	7.9	05	M18-1.5	12	21	22
X0035-06-18	3/8	9.5	06	M18-1.5	12	23	22
X0035-06-22	3/8	9.5	06	M22-1.5	15	22	27
X0035-08-22	1/2	12.7	08	M22-1.5	15	22	27
X0035-08-26	1/2	12.7	08	M26-1.5	18	24	32
X0035-10-26	5/8	15.9	10	M26-1.5	18	24	32

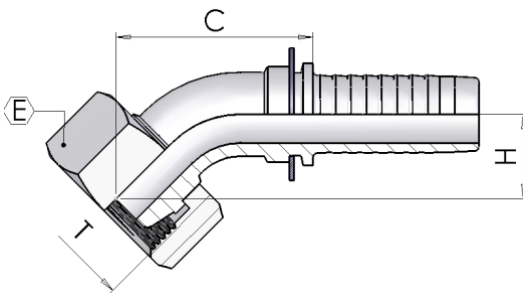
## X0135



### 90° Metric Swept Elbow 24° - Seat Light Multiseal

Part number	Hose I.D.		Dimensions					
			dash	Thread	Erm	Cut-Off	Hex	Drop
			size	T		C	E	H
X0135-04-14	1/4	6.4	04	M14-1.5	8	25	17	25
X0135-04-16	1/4	6.4	04	M16-1.5	10	26	19	24
X0135-05-16	5/16	7.9	05	M16-1.5	10	32	19	29
X0135-05-18	5/16	7.9	05	M18-1.5	12	31	22	30
X0135-06-18	3/8	9.5	06	M18-1.5	12	32	22	33
X0135-06-22	3/8	9.5	06	M22-1.5	15	33	27	34
X0135-08-22	1/2	12.7	08	M22-1.5	15	41	27	38
X0135-10-26	5/8	15.9	10	M26-1.5	18	46	32	42

## X0235

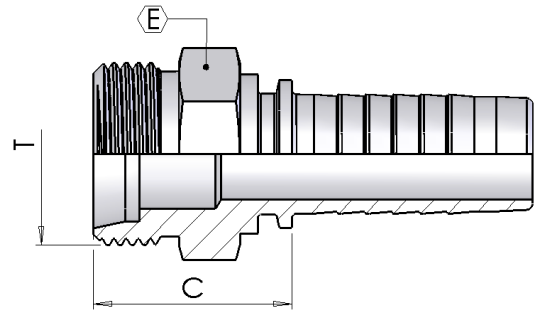


### 45° Metric Swept Elbow 24° - Seat Light Multiseal

Part number	Hose I.D.		Dimensions					
			dash	Thread	Erm	Cut-Off	Hex	Drop
			size	T		C	E	H
X0235-04-14	1/4	6.4	04	M14-1.5	8	40	17	14
X0235-04-16	1/4	6.4	04	M16-1.5	10	37	19	16
X0235-05-16	5/16	7.9	05	M16-1.5	10	47	19	14
X0235-05-18	5/16	7.9	05	M18-1.5	12	49	22	16
X0235-06-18	3/8	9.5	06	M18-1.5	12	50	22	16
X0235-08-22	1/2	12.7	08	M22-1.5	15	61	27	21

# X0500

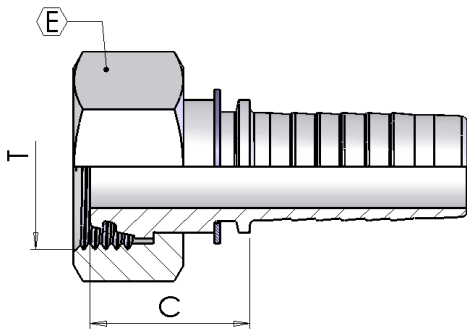
## Metric Male 24° - Seat Light



Part number	Hose I.D.		Dimensions				
			dash	Thread		Cut-Off	Hex
	in	mm	size	T	Erm	C	E
X0500-03-12	3/16	4.8	03	M12-1.5	6	22	14
X0500-04-12	1/4	6.4	04	M12-1.5	6	23	14
X0500-04-14	1/4	6.4	04	M14-1.5	8	22	14
X0500-04-16	1/4	6.4	04	M16-1.5	10	23	17
X0500-04-18	1/4	6.4	04	M18-1.5	12	24	19
X0500-05-14	5/16	7.9	05	M14-1.5	8	22	14
X0500-05-16	5/16	7.9	05	M16-1.5	10	23	17
X0500-05-18	5/16	7.9	05	M18-1.5	12	24	19
X0500-05-22	5/16	7.9	05	M22-1.5	15	25	22
X0500-06-16	3/8	9.5	06	M16-1.5	10	23	17
X0500-06-18	3/8	9.5	06	M18-1.5	12	24	19
X0500-06-22	3/8	9.5	06	M22-1.5	15	25	22
X0500-08-18	1/2	12.7	08	M18-1.5	12	25	19
X0500-08-22	1/2	12.7	08	M22-1.5	15	26	22
X0500-08-26	1/2	12.7	08	M26-1.5	18	27	27
X0500-10-22	5/8	15.9	10	M22-1.5	15	26	22
X0500-10-26	5/8	15.9	10	M26-1.5	18	27	27
X0500-10-30	5/8	15.9	10	M30-2	22	32	30
X0500-12-26	3/4	19	12	M26-1.5	18	28	27
X0500-12-30	3/4	19	12	M30-2	22	33	30
X0500-16-36	1	25.4	16	M36-2	28	32	36
X0500-20-45	1.1/4	31.8	20	M45-2	35	36	46
X0500-24-52	1.1/2	38.1	24	M52-2	42	38	55

# X0085

## Metric Female 24° - Seat Light

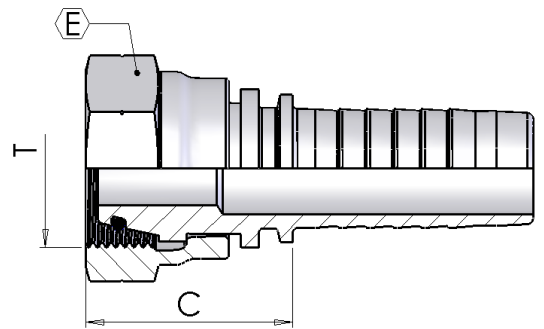


Part number	Hose I.D.		Dimensions				
			dash size	Thread T	Erm	Cut-Off C	Hex E
	in	mm					
X0085-03-12	3/16	4.8	03	M12-1.5	6	23	14
X0085-04-14	1/4	6.4	04	M14-1.5	8	24	17
X0085-04-16	1/4	6.4	04	M16-1.5	10	24	19
X0085-04-18	1/4	6.4	04	M18-1.5	12	25	22
X0085-05-16	5/16	7.9	05	M16-1.5	10	24	19
X0085-05-18	5/16	7.9	05	M18-1.5	12	25	22
X0085-06-18	3/8	9.5	06	M18-1.5	12	25	22
X0085-06-22	3/8	9.5	06	M22-1.5	15	29	27
X0085-08-22	1/2	12.7	08	M22-1.5	15	29	27
X0085-08-26	1/2	12.7	08	M26-1.5	18	29	32
X0085-10-26	5/8	15.9	10	M26-1.5	18	29	32
X0085-10-30	5/8	15.9	12	M30-2	22	29	36
X0085-12-30	3/4	19	12	M30-2	22	29	36
X0085-12-36	3/4	19	12	M36-2	28	28	41
X0085-16-36	1	25.4	16	M36-2	28	30	41
X0085-20-45	1.1/4	31.8	20	M45-2	35	40	50
X0085-24-52	1.1/2	38.1	24	M52-2	42	41	60



# X0085

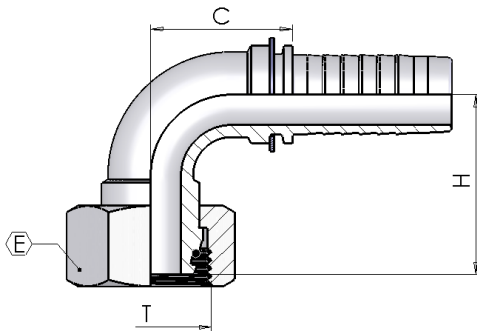
## Metric Female 24° - Seat Light Crimped Nut



Part number	Hose I.D.		Dimensions				
			dash	Thread		Cut-Off	Hex
	in	mm	size	T	Erm	C	E
X0085-04-12	1/4	6.4	04	M12-1.5	6	25	14
X0085-05-14	5/16	7.9	05	M14-1.5	8	26	19
X0085-06-16	3/8	9.5	06	M16-1.5	10	25	19
X0085-08-18	1/2	12.7	08	M18-1.5	12	28	24
X0085-10-22	5/8	15.9	10	M22-1.5	15	32	27
X0085-12-26	3/4	19	12	M26-1.5	18	36	32

# X0185

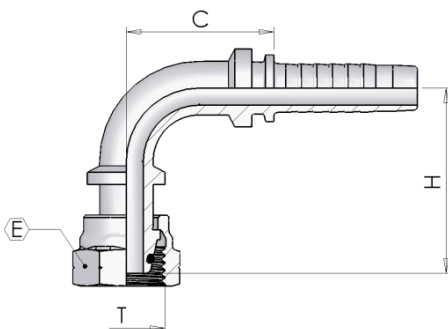
## 90° Metric Swept Elbow 24° - Seat Light



Part number	Hose I.D.		Dimensions					
			dash	Thread		Cut-Off	Hex	Drop
			size	T	Erm	C	E	H
X0185-03-12	3/16	4.8	03	M12-1.5	6	22	14	23
X0185-04-14	1/4	6.4	04	M14-1.5	8	26	17	26
X0185-04-16	1/4	6.4	04	M16-1.5	10	25	19	27
X0185-04-18	1/4	6.4	04	M18-1.5	12	27	22	30
X0185-05-16	5/16	7.9	05	M16-1.5	10	31	19	31
X0185-05-18	5/16	7.9	05	M18-1.5	12	31	22	32
X0185-06-18	3/8	9.5	06	M18-1.5	12	32	22	35
X0185-06-22	3/8	9.5	06	M22-1.5	15	32	27	35
X0185-08-22	1/2	12.7	08	M22-1.5	15	41	27	38
X0185-08-26	1/2	12.7	08	M26-1.5	18	41	32	39
X0185-10-26	5/8	15.9	10	M26-1.5	18	44	32	44
X0185-12-30	3/4	19	12	M30-2	22	58	36	52
X0185-16-36	1	25.4	16	M36-2	28	72	41	62

# X0185

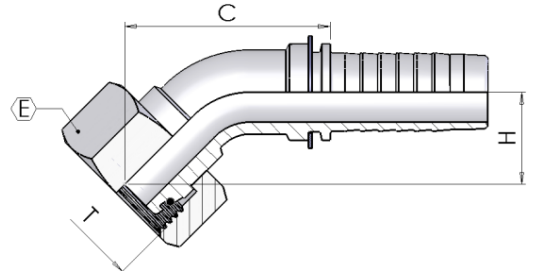
## 90° Metric Swept Elbow 24° - Seat Light Crimped Nut



Part number	Hose I.D.		Dimensions					
			dash	Thread		Cut-Off	Hex	Drop
			size	T	Erm	C	E	H
X0185-04-12	1/4	6.4	04	M12-1.5	6	26	14	34
X0185-05-14	5/16	7.9	05	M14-1.5	8	30	17	38
X0185-06-16	3/8	9.5	06	M16-1.5	10	32	19	39
X0185-10-22	5/8	15.9	08	M22-1.5	15	42	27	55

## X0285

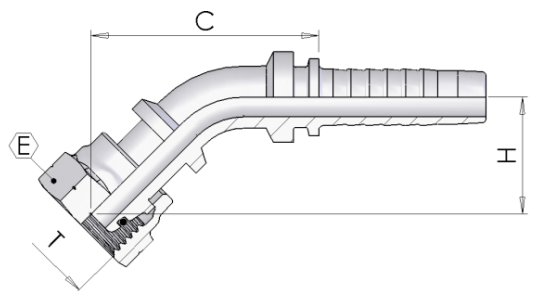
### 45° Metric Swept Elbow 24° - Seat Light



Part number	Hose I.D.		Dimensions					
			dash size	Thread T	Erm	Cut-Off C	Hex E	Drop H
X0285-03-12	3/16	4.8	03	M12-1.5	6	36	14	14
X0285-04-14	1/4	6.4	04	M14-1.5	8	42	17	14
X0285-04-16	1/4	6.4	04	M16-1.5	10	42	19	15
X0285-04-18	1/4	6.4	04	M18-1.5	12	43	22	16
X0285-05-16	5/16	7.9	05	M16-1.5	10	48	19	17
X0285-05-18	5/16	7.9	05	M18-1.5	12	48	22	18
X0285-06-18	3/8	9.5	06	M18-1.5	12	52	22	19
X0285-06-22	3/8	9.5	06	M22-1.5	15	51	27	19
X0285-08-22	1/2	12.7	08	M22-1.5	15	63	27	21
X0285-10-26	5/8	15.9	10	M26-1.5	18	68	32	23
X0285-12-30	3/4	19	12	M30-2	22	85	36	27
X0285-16-36	1	25.4	16	M36-2	28	102	41	32

## X0285

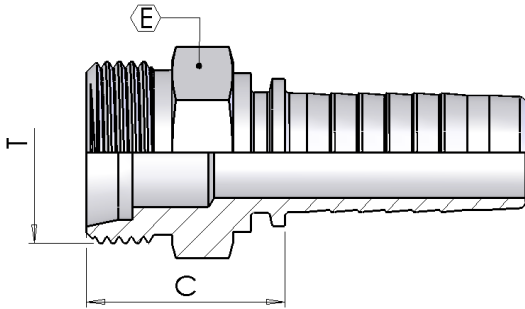
### 45° Metric Swept Elbow 24° - Seat Light Crimped Nut



Part number	Hose I.D.		Dimensions					
			dash size	Thread T	Erm	Cut-Off C	Hex E	Drop H
X0285-04-12	1/4	6.4	04	M12-1.5	6	46	14	20
X0285-06-16	3/8	9.5	06	M16-1.5	10	55	19	22

# X0450

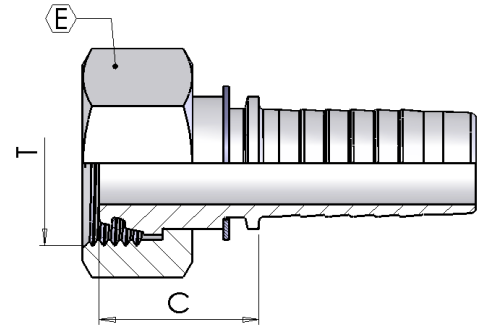
## Metric Male 24° - Seat Heavy



Part number	Hose I.D.		Dimensions				
			dash	Thread		Cut-Off	Hex
			size	T	Erm	C	E
X0450-03-16	3/16	4.8	03	M16-1.5	8	26	17
X0450-04-14	1/4	6.4	04	M14-1.5	6	25	14
X0450-04-16	1/4	6.4	04	M16-1.5	8	27	17
X0450-04-18	1/4	6.4	04	M18-1.5	10	27	19
X0450-05-18	5/16	7.9	05	M18-1.5	10	27	19
X0450-05-20	5/16	7.9	05	M20-1.5	12	29	22
X0450-06-18	3/8	9.5	06	M18-1.5	10	27	19
X0450-06-20	3/8	9.5	06	M20-1.5	12	29	22
X0450-06-22	3/8	9.5	06	M22-1.5	14	31	22
X0450-06-24	3/8	9.5	06	M24-1.5	16	31	24
X0450-08-24	1/2	12.7	08	M24-1.5	16	32	24
X0450-10-30	5/8	15.9	10	M30-2	20	34	30
X0450-12-30	3/4	19	12	M30-2	20	35	30
X0450-12-36	3/4	19	12	M36-2	25	38	36
X0450-16-36	1	25.4	16	M36-2	25	39	36
X0450-16-42	1	25.4	16	M42-2	30	42	46
X0450-20-42	1.1/4	31.8	20	M42-2	30	43	46
X0450-20-52	1.1/4	31.8	20	M52-2	38	45	55
X0450-24-52	1.1/2	38.1	24	M52-2	38	45	55

# X0084

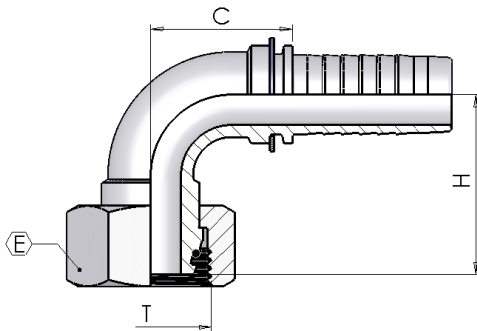
## Metric Female 24° - Seat Heavy



Part number	Hose I.D.		Dimensions				
			dash	Thread		Cut-Off	Hex
	in	mm	size	T	Erm	C	E
X0084-03-16	3/16	4.8	03	M16-1.5	8	25	19
X0084-04-14	1/4	6.4	04	M14-1.5	6	23	17
X0084-04-16	1/4	6.4	04	M16-1.5	8	25	19
X0084-04-18	1/4	6.4	04	M18-1.5	10	24	22
X0084-05-18	5/16	7.9	05	M18-1.5	10	24	22
X0084-05-20	5/16	7.9	05	M20-1.5	12	26	24
X0084-06-16	3/8	9.5	06	M16-1.5	8	26	19
X0084-06-18	3/8	9.5	06	M18-1.5	10	25	22
X0084-06-20	3/8	9.5	06	M20-1.5	12	25	24
X0084-06-22	3/8	9.5	06	M22-1.5	14	29	27
X0084-08-22	1/2	12.7	08	M22-1.5	14	17	27
X0084-08-24	1/2	12.7	08	M24-1.5	16	30	30
X0084-08-30	1/2	12.7	08	M30-2	20	33	36
X0084-10-24	5/8	15.9	10	M24-1.5	16	31	30
X0084-10-30	5/8	15.9	10	M30-2	20	33	36
X0084-12-30	3/4	19	12	M30-2	20	34	36
X0084-12-36	3/4	19	12	M36-2	25	40	46
X0084-16-36	1	25.4	16	M36-2	25	41	46
X0084-16-42	1	25.4	16	M42-2	30	43	50
X0084-20-52	1.1/4	31.8	20	M52-2	38	44	60
X0084-24-52	1.1/2	38.1	24	M52-2	38	44	60

# X0184

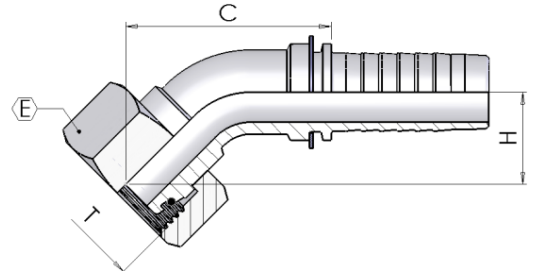
## 90° Metric Swept Elbow 24° - Seat Heavy



Part number	Hose I.D.		Dimensions					
			dash	Thread		Cut-Off	Hex	Drop
			size	T	Erm	C	E	H
X0184-03-16	3/16	4.8	03	M16-1.5	8	22	19	25
X0184-04-14	1/4	6.4	04	M14-1.5	6	27	17	26
X0184-04-16	1/4	6.4	04	M16-1.5	8	26	19	26
X0184-04-18	1/4	6.4	04	M18-1.5	10	27	22	31
X0184-04-20	1/4	6.4	04	M20-1.5	12	27	24	30
X0184-05-18	5/16	7.9	05	M18-1.5	10	33	22	33
X0184-05-20	5/16	7.9	05	M20-1.5	12	30	24	34
X0184-06-18	3/8	9.5	06	M18-1.5	10	34	22	35
X0184-06-20	3/8	9.5	06	M20-1.5	12	34	24	34
X0184-06-22	3/8	9.5	06	M22-1.5	14	33	27	33
X0184-08-24	1/2	12.7	08	M24-1.5	16	40	30	41
X0184-10-30	5/8	15.9	10	M30-2	20	46	36	50
X0184-12-30	3/4	19	12	M30-2	20	58	36	56
X0184-12-36	3/4	19	12	M36-2	25	56	46	59
X0184-16-36	1	25.4	16	M36-2	25	69	46	67
X0184-16-42	1	25.4	16	M42-2	30	69	50	67
X0184-20-52	1.1/4	31.8	20	M52-2	38	84	60	82
X0184-24-52	1.1/2	38.1	24	M52-2	38	99	60	94

# X0284

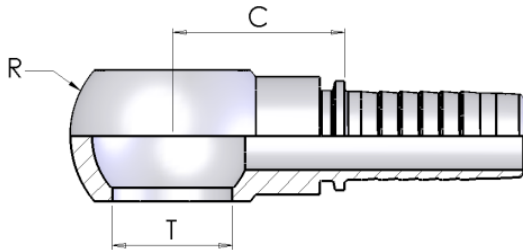
## 45° Metric Swept Elbow 24° - Seat Heavy



Part number	Hose I.D.		Dimensions					
			dash size	Thread T	Erm	Cut-Off C	Hex E	Drop H
X0284-03-16	3/16	4.8	03	M16-1.5	8	36	19	16
X0284-04-14	1/4	6.4	04	M14-1.5	6	37	17	15
X0284-04-16	1/4	6.4	04	M16-1.5	8	42	19	15
X0284-04-18	1/4	6.4	04	M18-1.5	10	45	22	18
X0284-05-20	5/16	7.9	05	M20-1.5	12	49	24	19
X0284-06-18	3/8	9.5	06	M18-1.5	10	51	22	19
X0284-06-20	3/8	9.5	06	M20-1.5	12	53	24	18
X0284-06-22	3/8	9.5	06	M22-1.5	14	54	27	20
X0284-08-24	1/2	12.7	08	M24-1.5	16	63	30	21
X0284-10-30	5/8	15.9	10	M30-2	20	74	36	29
X0284-12-30	3/4	19	12	M30-2	20	87	36	30
X0284-12-36	3/4	19	12	M36-2	25	74	46	31
X0284-16-36	1	25.4	16	M36-2	25	105	46	34
X0284-16-42	1	25.4	16	M42-2	30	82	50	33
X0284-20-52	1.1/4	31.8	20	M52-2	38	105	60	39
X0284-24-52	1.1/2	38.1	24	M52-2	38	157	60	52

# X1350

## Metric Banjo

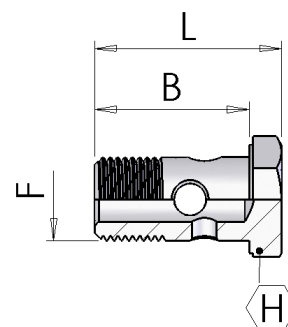


Part number	Hose I.D.		Dimensions			
			dash	Hole	Cut-Off	
	in	mm	size	mm	C	R
X1350-03-10	3/16	4.8	03	10.2	25	17
X1350-03-12	3/16	4.8	03	12.2	21	20
X1350-04-10	1/4	6.4	04	10.2	25	17
X1350-04-12	1/4	6.4	04	12.2	22	20
X1350-04-14	1/4	6.4	04	14.2	25	24
X1350-05-14	5/16	7.9	05	14.2	25	24
X1350-05-16	5/16	7.9	05	16.2	31	28
X1350-05-18	5/16	7.9	05	18.2	29	32
X1350-06-14	3/8	9.5	06	14.2	25	24
X1350-06-16	3/8	9.5	06	16.2	31	28
X1350-06-18	3/8	9.5	06	18.2	29	32
X1350-06-22	3/8	9.5	06	22.2	31	36
X1350-08-16	1/2	12.7	08	16.2	30	28
X1350-08-18	1/2	12.7	08	18.2	29	32
X1350-08-22	1/2	12.7	08	22.2	31	36
X1350-10-22	5/8	15.9	10	22.2	31	36
X1350-10-26	5/8	15.9	10	26.2	38	45
X1350-12-22	3/4	19	12	22.2	32	36
X1350-12-26	3/4	19	12	26.2	38	45
X1350-16-30	1	25.4	16	30.2	45	54



## X1650

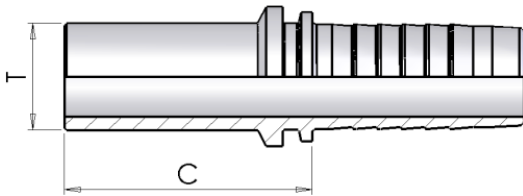
## Metric perfored bolt



Part number	Dimensions			Drop
	B	F	L	
X1650-00-12	26	M12 x 1.5	31	17
X1650-00-14	29	M14 x 1.5	34	19
X1650-00-16	33	M16 x 1.5	41	22
X1650-00-18	37	M18 x 1.5	44	24
X1650-00-22	38	M22 x 1.5	46	27
X1650-00-26	47	M26 x 1.5	56	32
X1650-00-30	58	M30 x 1.5	68	36

# X0550

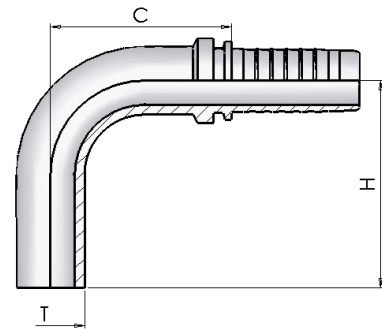
## Metric Standpipe



Part number	Hose I.D.		Dimensions			
			dash	pipe		Cut-Off
	in	mm	size	T	Type	C
X0550-03-06	3/16	4.8	03	6	L/S	30
X0550-03-08	3/16	4.8	03	8	L/S	29
X0550-04-06	1/4	6.4	04	6	L/S	32
X0550-04-08	1/4	6.4	04	8	L/S	30
X0550-04-10	1/4	6.4	04	10	L/S	33
X0550-04-12	1/4	6.4	04	12	L/S	30
X0550-05-08	5/16	7.9	05	08	L/S	31
X0550-05-10	5/16	7.9	05	10	L/S	31
X0550-05-12	5/16	7.9	05	12	L/S	33
X0550-06-08	3/8	9.5	06	08	L/S	33
X0550-06-10	3/8	9.5	06	10	L/S	33
X0550-06-12	3/8	9.5	06	12	L/S	32
X0550-06-14	3/8	9.5	06	14	S	37
X0550-06-15	3/8	9.5	06	15	L	32
X0550-08-12	1/2	12.7	08	12	L/S	36
X0550-08-14	1/2	12.7	08	14	S	39
X0550-08-15	1/2	12.7	08	15	L	34
X0550-08-16	1/2	12.7	08	16	S	39
X0550-08-18	1/2	12.7	08	18	L	35
X0550-08-20	1/2	12.7	08	20	S	45
X0550-10-18	5/8	15.9	10	18	L	35
X0550-10-20	5/8	15.9	10	20	S	45
X0550-10-22	5/8	15.9	10	22	L	33
X0550-12-18	3/4	19	12	18	L	37
X0550-12-20	3/4	19	12	20	S	46
X0550-12-22	3/4	19	12	22	L	38
X0550-12-25	3/4	19	12	25	S	49
X0550-12-28	3/4	19	12	28	L	40
X0550-16-25	1	25.4	16	25	S	51
X0550-16-28	1	25.4	16	28	L	41
X0550-16-30	1	25.4	16	30	S	54
X0550-16-38	1	25.4	16	38	S	60
X0550-20-30	1.1/4	31.8	20	30	S	58
X0550-20-35	1.1/4	31.8	20	35	L	48
X0550-20-38	1.1/4	31.8	20	38	S	62
X0550-24-38	1.1/2	38.1	24	38	S	63
X0550-24-42	1.1/2	38.1	24	42	L	50

# X0650

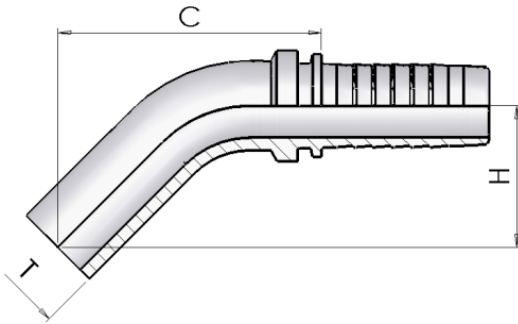
## 90° Metric Standpipe



Part number	Hose I.D.		Dimensions				
			dash	pipe		Cut-Off	Drop
	in	mm	size	T	Type	C	H
X0650-03-06	3/16	4.8	03	6	L/S	20	32
X0650-04-06	1/4	6.4	04	6	L/S	23	32
X0650-04-08	1/4	6.4	04	8	L/S	25	34
X0650-04-10	1/4	6.4	04	10	L/S	25	43
X0650-05-10	5/16	7.9	05	10	L/S	29	40
X0650-05-12	5/16	7.9	05	12	L/S	29	45
X0650-06-10	3/8	9.5	06	10	L/S	27	40
X0650-06-12	3/8	9.5	06	12	L/S	30	44
X0650-08-14	1/2	12.7	08	14	S	36	46
X0650-08-15	1/2	12.7	08	15	L	39	52
X0650-08-16	1/2	12.7	08	16	S	42	56
X0650-08-18	1/2	12.7	08	18	L	42	56
X0650-10-18	5/8	15.9	10	18	L	42	56
X0650-10-20	5/8	15.9	10	20	S	48	65
X0650-12-20	3/4	19	12	20	S	48	65
X0650-12-22	3/4	19	12	22	L	51	71
X0650-12-25	3/4	19	12	25	S	57	75
X0650-16-25	1	25.4	16	25	S	57	75
X0650-16-28	1	25.4	16	28	L	60	89
X0650-16-30	1	25.4	16	30	S	65	89
X0650-20-30	1.1/4	31.8	20	30	S	66	89
X0650-20-38	1.1/4	31.8	20	38	S	83	102
X0650-24-38	1.1/2	38.1	24	38	S	82	102

# X0750

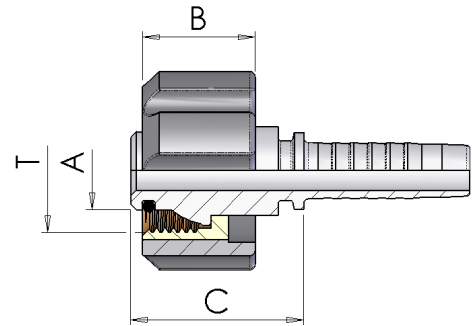
## 45° Metric Standpipe



Part number	Hose I.D.		Dimensions				
			dash	pipe		Cut-Off	Drop
	in	mm	size	T	Type	C	H
X0750-03-06	3/16	4.8	03	6	L/S	38	25
X0750-04-06	1/4	6.4	04	6	L/S	41	24
X0750-04-08	1/4	6.4	04	8	L/S	43	25
X0750-04-10	1/4	6.4	04	10	L/S	47	30
X0750-05-10	5/16	7.9	05	10	L/S	49	30
X0750-05-12	5/16	7.9	05	12	L/S	53	32
X0750-06-10	3/8	9.5	06	10	L/S	50	33
X0750-06-12	3/8	9.5	06	12	L/S	52	33
X0750-08-14	1/2	12.7	08	14	S	50	27
X0750-08-15	1/2	12.7	08	15	L	55	29
X0750-08-16	1/2	12.7	08	16	S	54	27
X0750-08-18	1/2	12.7	08	18	L	56	29
X0750-10-18	5/8	15.9	10	18	L	56	29
X0750-10-20	5/8	15.9	10	20	S	56	34
X0750-12-20	3/4	19	12	20	S	63	34
X0750-12-22	3/4	19	12	22	L	65	35
X0750-12-25	3/4	19	12	25	S	76	41
X0750-16-25	1	25.4	16	25	S	76	41
X0750-16-28	1	25.4	16	28	L	84	49
X0750-16-30	1	25.4	16	30	S	86	44
X0750-20-30	1.1/4	31.8	20	30	S	88	44
X0750-20-38	1.1/4	31.8	20	38	S	101	50
X0750-24-38	1.1/2	38.1	24	38	S	100	50

# XFK50

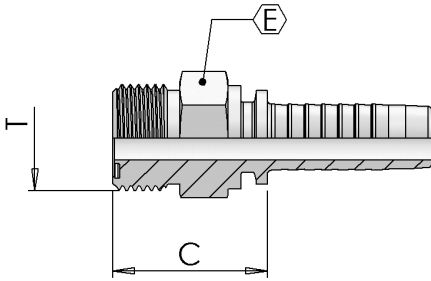
## K' Female



Part number	Hose I.D.		Dimensions				
			dash size	Thread T	Cut-Off C	A	B
XFK50-04-22	1/4	6.4	04	M22-1.5	31	14	20
XFK50-05-22	5/16	7.9	05	M22-1.5	31	14	20
XFK50-06-22	3/8	9.5	06	M22-1.5	31	14	20
XFK50-04022	1/4	6.4	04	M22-1.5	31	14	27
XFK50-05022	5/16	7.9	05	M22-1.5	31	14	27
XFK50-06022	3/8	9.5	06	M22-1.5	31	14	27

# XS350

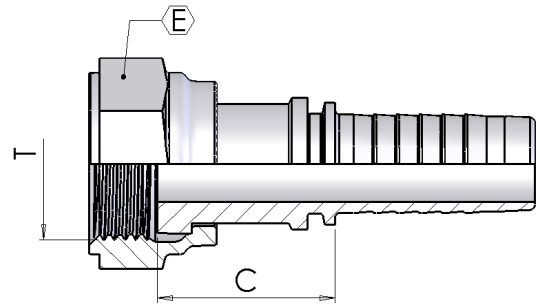
## ORFS Male



Part number	Hose I.D.		Dimensions			
			dash	Thread	Cut-Off	Hex
	in	mm	size	T	C	E
XS350-04-06	1/4	6.4	04	9/16-18	23	17
XS350-04-09	1/4	6.4	04	11/16-16	21	19
XS350-05-09	5/16	7.9	05	11/16-16	26	19
XS350-06-09	3/8	9.5	06	11/16-16	26	19
XS350-06-11	3/8	9.5	6	13/16-16	29	22
XS350-08-11	1/2	12.7	08	13/16-16	29	22
XS350-08-13	1/2	12.7	08	1-14	34	27
XS350-08-14	1/2	12.7	08	1.3/16-12	35	32
XS350-10-13	5/8	15.9	10	1-14	33	27
XS350-10-14	5/8	15.9	10	1.3/16-12	35	32
XS350-12-14	3/4	19	12	1.3/16-12	36	32
XS350-12-15	3/4	19	12	1.7/16-12	36	38
XS350-16-15	1	25.4	16	1.7/16-12	37	38
XS350-16-21	1	25.4	16	1.11/16-12	38	46
XS350-20-21	1.1/4	31.8	20	1.11/16-12	39	46

# XS050

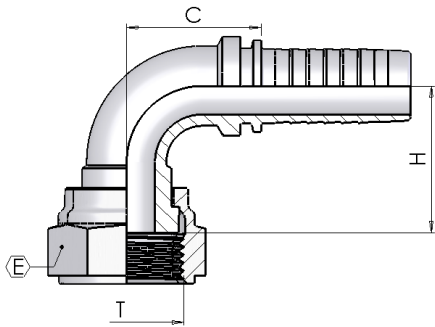
## ORFS Female



Part number	Hose I.D.		Dimensions			
			dash	Thread	Cut-Off	Hex
	in	mm	size	T	C	E
XS050-04-06	1/4	6.4	04	9/16-18	25	19
XS050-04-09	1/4	6.4	04	11/16-16	29	22
XS050-05-09	5/16	7.9	05	11/16-16	29	22
XS050-06-09	3/8	9.5	06	11/16-16	29	22
XS050-06-11	3/8	9.5	06	13/16-16	30	24
XS050-08-11	1/2	12.7	08	13/16-16	32	24
XS050-08-13	1/2	12.7	08	1-14	35	30
XS050-08-14	1/2	12.7	08	1.3/16-12	37	36
XS050-10-13	5/8	15.9	10	1-14	35	30
XS050-10-14	5/8	15.9	10	1.3/16-12	34	36
XS050-12-13	3/4	19	12	1-14	37	30
XS050-12-14	3/4	19	12	1.3/16-12	35	36
XS050-12-15	3/4	19	12	1.7/16-12	41	41
XS050-16-15	1	25.4	16	1.7/16-12	39	41
XS050-20-21	1.1/4	31.8	20	1.11/16-12	40	50
XS050-24-32	1.1/2	38.1	24	2-12	41	60

# XS150

## ORFS 90° Swept Elbow

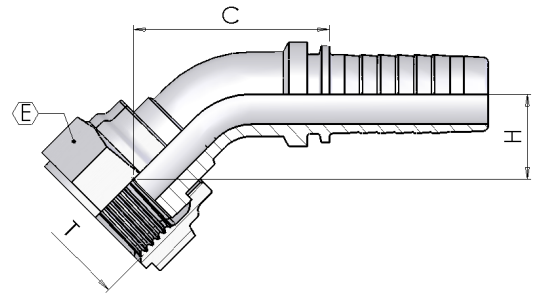


Part number	Hose I.D.		Dimensions				
			dash	Thread	Cut-Off	Hex	Drop
	in	mm	size	T	C	E	H
XS150-04-06	1/4	6.4	04	9/16-18	25	19	26
XS150-04-09	1/4	6.4	04	11/16-16	25	22	23
XS150-05-09	5/16	7.9	05	11/16-16	29	22	32
XS150-06-09	3/8	9.5	06	11/16-16	33	22	33
XS150-06-11	3/8	9.5	06	13/16-16	33	24	32
XS150-08-11	1/2	12.7	08	13/16-16	39	24	36
XS150-08-13	1/2	12.7	08	1-14	39	30	40
XS150-08-14	1/2	12.7	08	1.3/16-12	42	36	39
XS150-10-13	5/8	15.9	10	1-14	47	30	39
XS150-12-14	3/4	19	12	1.3/16-12	57	36	49
XS150-12-15	3/4	19	12	1.7/16-12	56	41	51
XS150-16-15	1	25.4	16	1.7/16-12	67	41	62
XS150-20-21	1.1/4	31.8	20	1.11/16-12	86	50	72
XS150-24-32	1.1/2	38.1	24	2-12	103	60	82



# XS250

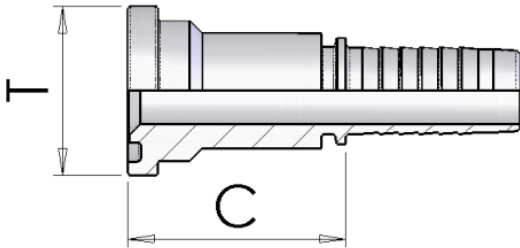
## ORFS 45° Swept Elbow



Part number	Hose I.D.		Dimensions				
			dash size	Thread T	Cut-Off C	Hex E	Drop H
XS250-04-06	1/4	6.4	04	9/16-18	40	19	14
XS250-04-09	1/4	6.4	04	11/16-16	38	22	14
XS250-05-09	5/16	7.9	05	11/16-16	44	22	14
XS250-06-09	3/8	9.5	06	11/16-16	52	22	17
XS250-06-11	3/8	9.5	06	13/16-16	51	24	18
XS250-08-11	1/2	12.7	08	13/16-16	62	24	20
XS250-08-13	1/2	12.7	08	1-14	64	30	23
XS250-08-14	1/2	12.7	08	1.3/16-12	62	36	23
XS250-10-13	5/8	15.9	10	1-14	67	30	22
XS250-12-14	3/4	19	12	1.3/16-12	84	36	23
XS250-12-15	3/4	19	12	1.7/16-12	84	41	26
XS250-16-15	1	25.4	16	1.7/16-12	100	41	31
XS250-20-21	1.1/4	31.8	20	1.11/16-12	111	50	44
XS250-24-32	1.1/2	38.1	24	2-12	123	60	53

# X1260

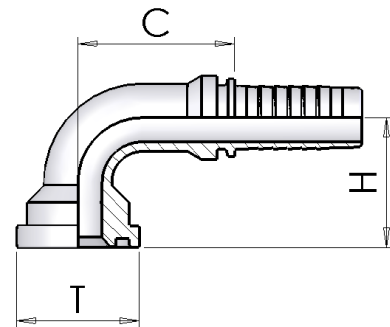
## Straight SAE Flange 3000 PSI



Part number	Hose I.D.		Dimensions			
			dash size	Flange T	mm	Cut-Off C
	in	mm				
X1260-08-08	1/2	12.7	08	1/2	30,2	45
X1260-08-12	1/2	12.7	08	3/4	38.1	50
X1260-10-08	5/8	15.9	10	1/2	30,2	45
X1260-10-12	5/8	15.9	10	3/4	38.1	49
X1260-12-12	3/4	19	12	3/4	38.1	50
X1260-12-16	3/4	19	12	1	44.5	53
X1260-16-16	1	25.4	16	1	44.5	54
X1260-16-20	1	25.4	16	1.1/4	50.8	57
X1260-20-20	1.1/4	31.8	20	1.1/4	50.8	59
X1260-20-24	1.1/4	31.8	20	1.1/2	60.3	62
X1260-24-24	1.1/2	38.1	24	1.1/2	60.3	62
X1260-24-32	1.1/2	38.1	24	2	71.4	67
X1260-32-32	2	50.8	32	2	71.4	68
X1260-32-40	2	50.8	32	2.1/2	84.1	76

# X1060

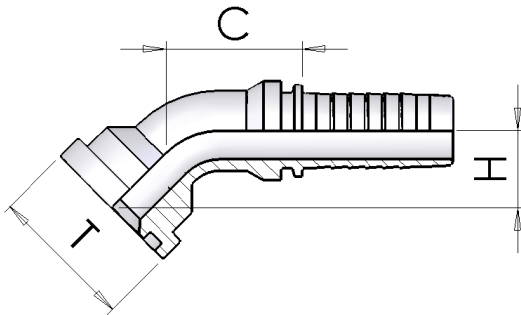
## 90° SAE Flange 3000 PSI



Part number	Hose I.D.		Dimensions				
			dash size	Flange T	mm	Cut-Off C	Drop H
X1060-08-08	1/2	12.7	08	1/2	30,2	39	39
X1060-08-12	1/2	12.7	08	3/4	38.1	39	44
X1060-10-08	5/8	15.9	10	1/2	30,2	45	42
X1060-10-12	5/8	15.9	10	3/4	38.1	45	47
X1060-12-12	3/4	19	12	3/4	38.1	56	53
X1060-12-16	3/4	19	12	1	44.5	56	58
X1060-16-16	1	25.4	16	1	44.5	70	65
X1060-16-20	1	25.4	16	1.1/4	50.8	70	70
X1060-16-24	1	25.4	16	1.1/2	60.3	72	71
X1060-20-16	1.1/4	31.8	20	1	44.5	81	77
X1060-20-20	1.1/4	31.8	20	1.1/4	50.8	86	77
X1060-20-24	1.1/4	31.8	20	1.1/2	60.3	85	81
X1060-24-24	1.1/2	38.1	24	1.1/2	60.3	98	89
X1060-24-32	1.1/2	38.1	24	2	71.4	93	97
X1060-32-32	2	50.8	32	2	71.4	123	121

## X1160

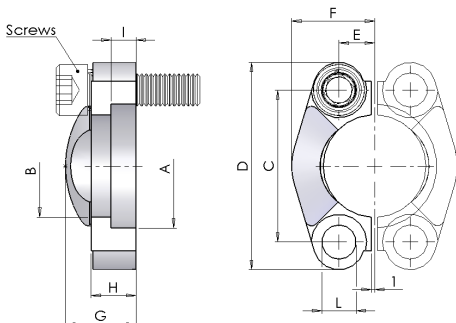
### 45° SAE Flange 3000 PSI



Part number	Hose I.D.		Dimensions				
			dash	Flange		Cut-Off	Drop
			size	T	mm	C	H
X1160-08-08	1/2	12.7	08	1/2	30,2	62	22
X1160-08-12	1/2	12.7	08	3/4	38.1	67	25
X1160-12-12	3/4	19	12	3/4	38.1	69	27
X1160-12-16	3/4	19	12	1	44.5	88	30
X1160-16-16	1	25.4	16	1	44.5	82	33
X1160-16-20	1	25.4	16	1.1/4	50.8	108	37
X1160-20-20	1.1/4	31.8	20	1.1/4	50.8	102	38
X1160-20-24	1.1/4	31.8	20	1.1/2	60.3	129	39
X1160-24-24	1.1/2	38.1	24	1.1/2	60.3	114	44
X1160-24-32	1.1/2	38.1	24	2	71.4	148	47
X1160-32-32	2	50.8	32	2	71.4	130	58

## XS003

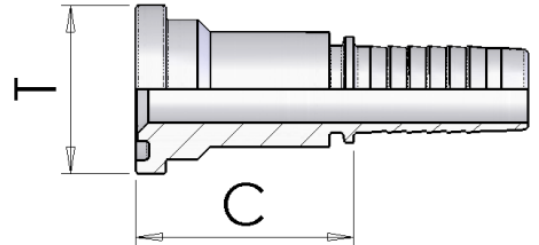
### Cut Split Flanges - 3000 psi Semiflange tagliate - 3000 psi



Part number	Dimensions										Drop	Sae SIZE
	A	B	C	D	E	F	G	I	L	H		
	XS003-08	30.96	24.3	38.1	54	8.7	22.8	19	6.2	8.8		
XS003-12	38.89	32.1	47.6	65	11.1	25.9	22	6.2	10.8	14	3/4"	
XS003-16	45.24	38.5	52.4	70	13.1	29.2	24	7.5	10.8	16	1"	
XS003-20	51.59	43.7	58.7	79	15.1	36.3	22	7.5	12	14	1"1/4	
XS003-24	61.09	50.8	69.9	94	17.9	41.1	25	7.5	13.5	16	1"1/2	
XS003-32	72.24	62.7	77.8	102	21.4	48.2	26	9	13.5	16	2"	

# X1310

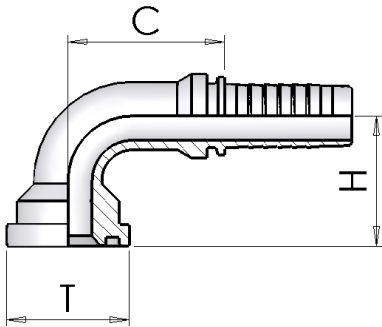
## Straight SAE Flange 6000 PSI



Part number	Hose I.D.		Dimensions			
			dash	Flange		Cut-Off
	in	mm	size	T	mm	C
X1310-08-08	1/2	12.7	08	1/2	31,8	46
X1310-08-12	1/2	12.7	08	3/4	41.3	53
X1310-10-08	5/8	15.9	10	1/2	31,8	46
X1310-10-12	5/8	15.9	10	3/4	41.3	53
X1310-10-16	5/8	15.9	10	1	47.6	59
X1310-12-12	3/4	19	12	3/4	41.3	54
X1310-12-16	3/4	19	12	1	47.6	60
X1310-16-12	1	25.4	16	3/4	41.3	55
X1310-16-16	1	25.4	16	1	47.6	61
X1310-16-20	1	25.4	16	1.1/4	54	68
X1310-20-20	1.1/4	31.8	20	1.1/4	54	70
X1310-20-24	1.1/4	31.8	20	1.1/2	63.5	76
X1310-24-24	1.1/2	38.1	24	1.1/2	63.5	76
X1310-24-32	1.1/2	38.1	24	2	79.4	85
X1310-32-32	2	50.8	32	2	79.4	85

# X1110

## 90° SAE Flange 6000 PSI Flangia 90° SAE 6000 PSI

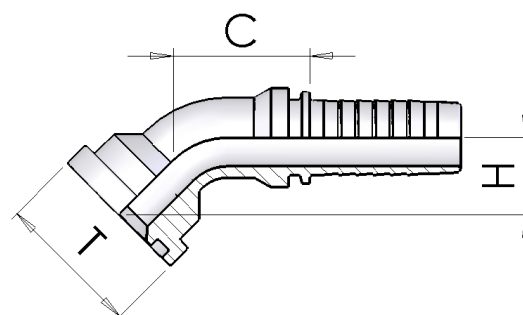


Part number	Hose I.D.		Dimensions				
			dash	Flange		Cut-Off	Drop
	in	mm	size	T	mm	C	H
X1110-08-08	1/2	12.7	08	1/2	31.8	39	39
X1110-08-12	1/2	12.7	08	3/4	41.3	39	48
X1110-10-08	5/8	15.9	10	1/2	31.8	45	42
X1110-10-12	5/8	15.9	10	3/4	41.3	44	52
X1110-10-16	5/8	15.9	10	1	47.6	45	56
X1110-12-08	3/4	19	12	1/2	32	56	54
X1110-12-12	3/4	19	12	3/4	41.3	56	55
X1110-12-16	3/4	19	12	1	47.6	56	63
X1110-16-12	1	25.4	16	3/4	41.3	68	64
X1110-16-16	1	25.4	16	1	47.6	70	69
X1110-16-20	1	25.4	16	1.1/4	54	71	74
X1110-20-20	1.1/4	31.8	20	1.1/4	54	97	83
X1110-20-24	1.1/4	31.8	20	1.1/2	63.5	97	90
X1110-24-24	1.1/2	38.1	24	1.1/2	63.5	102	99
X1110-24-32	1.1/2	38.1	24	2	79.4	103	108
X1110-32-32	2	50.8	32	2	79.4	125	136

# X1210

## 45° SAE Flange 6000 PSI

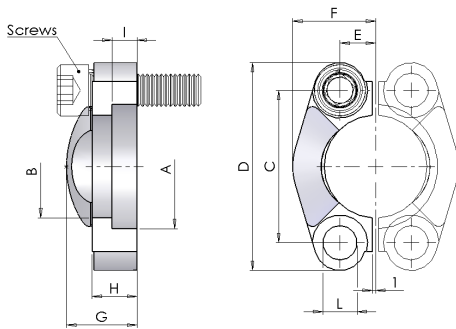
Flangia 45° SAE 6000 PSI



Part number	Hose I.D.		Dimensions				
			dash	Flange		Cut-Off	Drop
	in	mm	size	T	mm	C	H
X1210-08-08	1/2	12.7	08	1/2	31.8	62	22
X1210-08-12	1/2	12.7	08	3/4	41.3	69	28
X1210-10-08	5/8	15.9	10	1/2	31.8	66	21
X1210-10-12	5/8	15.9	10	3/4	41.3	75	27
X1210-10-16	5/8	15.9	10	1	47.6	77	32
X1210-12-12	3/4	19	12	3/4	41.3	74	28
X1210-12-16	3/4	19	12	1	47.6	90	32
X1210-16-12	1	25.4	16	3/4	41.3	101	30
X1210-16-16	1	25.4	16	1	47.6	86	34
X1210-16-20	1	25.4	16	1.1/4	54	112	41
X1210-20-20	1.1/4	31.8	20	1.1/4	54	107	43
X1210-20-24	1.1/4	31.8	20	1.1/2	63.5	149	48
X1210-24-24	1.1/2	38.1	24	1.1/2	63.5	122	50
X1210-24-32	1.1/2	38.1	24	2	79.4	163	66
X1210-32-32	2	50.8	32	2	79.4	145	68

## XS006

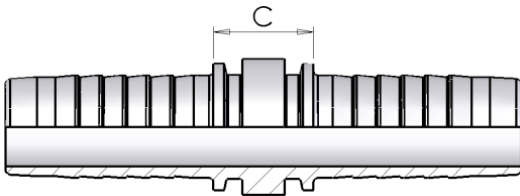
### Cut Split Flanges - 6000 psi Semiflange tagliate - 6000 psi



Part number	Dimensions										Sae SIZE
	A	B	C	D	E	F	G	I	L	H	
XS006-08	32.54	24.6	40.5	56	9.1	23.6	22	7.2	8.8	16	1/2"
XS006-12	42.06	32.5	50.8	71	11.9	30	28	8.3	11	19	3/4"
XS006-16	48.41	38.9	57.2	81	13.9	34.8	33	9	13	24	1"
XS006-20	54.76	44.5	66.7	95	15.9	38.6	38	9.8	15	27	1"1/4
XS006-24	64.29	51.6	79.4	113	18.3	47.5	43	12.1	17	30	1"1/2
XS006-32	80.16	67.6	96.8	133	22.2	56.9	52	12.1	21	37	2"

## XD050

### Hose Junction Giunzione per Tubi Flessibili



Part number	Hose I.D.		Dimensions	
			dash	Cut-Off
	in	mm	size	C
XD050-03	3/16	4.8	03	17
XD050-04	1/4	6.4	04	17
XD050-05	5/16	7.9	05	17
XD050-06	3/8	9.5	06	17
XD050-08	1/2	12.7	08	18
XD050-10	5/8	15.9	10	18
XD050-12	3/4	19	12	19
XD050-16	1	25.4	16	21
XD050-20	1.1/4	31.8	20	24
XD050-24	1.1/2	38.1	24	24
XD050-32	2	50.8	32	26









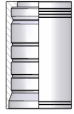
INTER-LOCK  
TAILS



in!

Ferrule  
Boccola

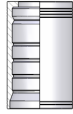
**X004N**



Swaged Ferrule  
(skive)

66

**X0013**



Swaged Ferrule  
(skive)

66

NPTF Male

**X0370H**



NPTF Male 60° cone

67

BSP 60°

**X0350H**



BSP Male Parallel 60°  
cone

67

**X0050H**



BSP Female 60° cone  
Thrust Wire

68

**X0150H**



BSP 90° Swept Elbow  
60° cone Thrust Wire

68

**X0250H**



BSP 45° Swept Elbow  
60° cone Thrust Wire

69

JIC male

**X0850H**



JIC Male 74° cone

69

JIC 37°

**X0900H**



JIC Female 74° cone  
Thrust Wire

70

**X0950H**



JIC 90° Swept Elbow  
74° cone Thrust Wire

70

**X1000H**



JIC 45° Swept Elbow  
74° cone Thrust Wire

71

CES/DKOS

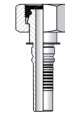
**X0450H**



Metric Male 24° Seat  
Heavy

71

**X0084H**



Metric Female 24°  
Seat Heavy

72

DKOS  
DKOS

**X0184H**



90° Metric Swept El-  
bow 24° Seat Heavy

72

**X0284H**



45° Metric Swept El-  
bow 24° Seat Heavy

73

ORFS

**XS050H**



ORFS Female

73

**XS05TH**



ORFS Female Back  
Hexagon

74

**XS150H**



ORFS 90° Swept Elbow

74

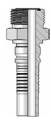
**XS250H**



ORFS 45° Swept Elbow

75

**XS350H**



ORFS Male

75



**X1250H**



Straight SAE Flange 3000 PSI

76

**X1050H**



90° SAE Flange 3000 PSI

76

**X1150H**



45° SAE Flange 3000 PSI

77

**X1300H**



Straight SAE Flange 6000 PSI

78

**X1100H**



90° SAE Flange 6000 PSI

79

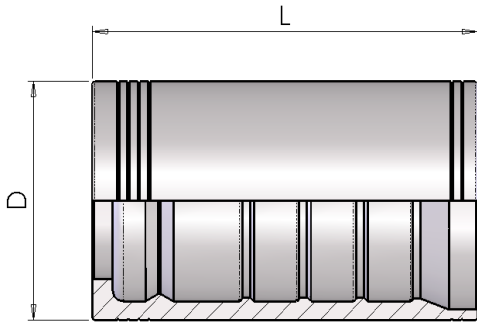
**X1200H**



45° SAE Flange 6000 PSI

80

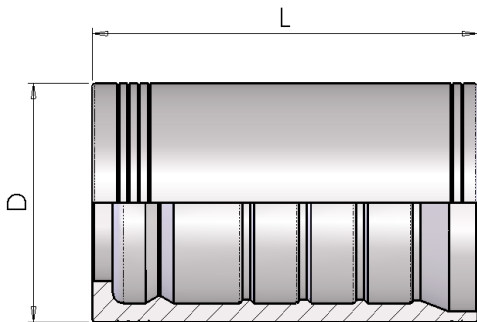
## X004N



### Swaged Ferrule (skive)

Part number	Hose I.D.		Dimensions		Skive Length
			D	L	
	in	mm			
X004N-12	3/4	19.0	38	60	52/15
X004N-16	1	25.4	46	74.5	64/17
X004N-20	1.1/4	31.8	55	88	74/22
X004N-24	1.1/2	38.1	62	94	81/22,5
X004N-32	2	50.8	78	99	85/30

## X0013

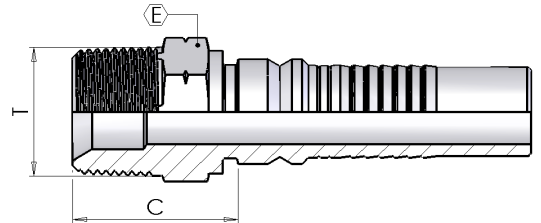


### Swaged Ferrule (skive)

Part number	Hose I.D.		Dimensions		Skive Length
			D	L	
	in	mm			
X0013-20	1.1/4	31.8	60	88	74/22
X0013-24	1.1/2	38.1	67	94	81/22,5
X0013-32	2	50.8	84.5	99	85/30

## X0370H

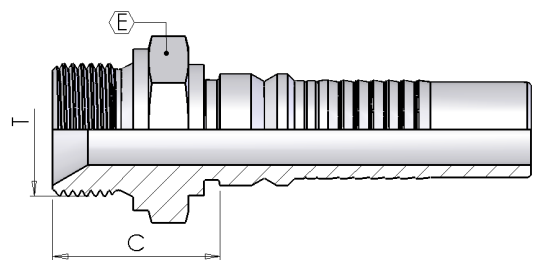
### NPTF Male 60° Cone



Part number	Hose I.D.		Dimensions			
			dash	Thread	Cut-Off	Hex
	in	mm	size	T	C	E
X0370H12-12	3/4	19.0	12	3/4-14	35	27
X0370H16-16	1	25.4	16	1-11.1/2	41	36
X0370H20-20	1.1/4	31.8	20	1.1/4-11.1/2	44	46
X0370H24-24	1.1/2	38.1	24	1.1/2-11.1/2	47	50
X0370H32-32	2	50.8	32	2-11.1/2	54	65

## X0350H

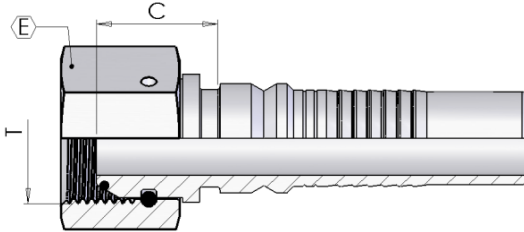
### BSP Male Parallel 60° Cone



Part number	Hose I.D.		Dimensions			
			dash	Thread	Cut-Off	Hex
	in	mm	size	T	C	E
X0350H12-12	3/4	19.0	12	3/4-14	33	32
X0350H12-16	3/4	19.0	12	1-11	36	41
X0350H16-16	1	25.4	16	1-11	37	41
X0350H16-20	1	25.4	16	1.1/4-11	41	50
X0350H20-20	1.1/4	31.8	20	1.1/4-11	42	50
X0350H24-24	1.1/2	38.1	24	1.1/2-11	44	55
X0350H32-32	2	50.8	32	2-11	53	70

## X0050H

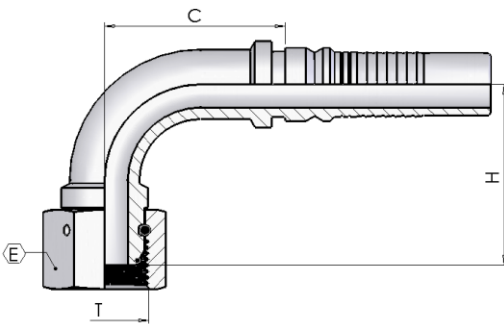
### BSP Female 60° Cone - Thrust Wire



Part number	Hose I.D.		Dimensions			
			dash	Thread	Cut-Off	Hex
	in	mm	size	T	C	E
X0050H12-12	3/4	19.0	12	3/4-14	23	32
X0050H12-16	3/4	19.0	12	1-11	25	38
X0050H16-16	1	25.4	16	1-11	26	38
X0050H20-20	1.1/4	31.8	20	1.1/4-11	29	50
X0050H20-24	1.1/4	31.8	20	1.1/2-11	31	55
X0050H24-24	1.1/2	38.1	24	1.1/2-11	31	55
X0050H32-32	2	50.8	32	2-11	30	70

## X0150H

### BSP 90° Swept Elbow 60° Cone - Thrust Wire

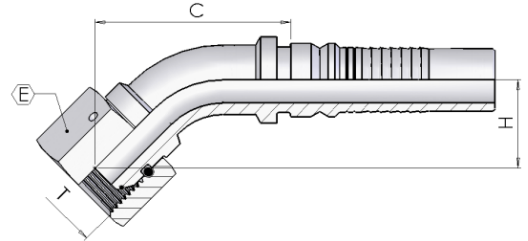


Part number	Hose I.D.		Dimensions				
			dash	Thread	Cut-Off	Hex	Drop
	in	mm	size	T	C	E	H
X0150H12-12	3/4	19.0	12	3/4-14	54	32	57
X0150H16-16	1	25.4	16	1-11	73	38	70
X0150H16-20	1	25.4	16	1.1/4-11	73	50	76
X0150H20-20	1.1/4	31.8	20	1.1/4-11	93	50	83
X0150H24-24	1.1/2	38.1	24	1.1/2-11	111	55	104
X0150H32-32	2	50.8	32	2-11	122	70	135



## X0250H

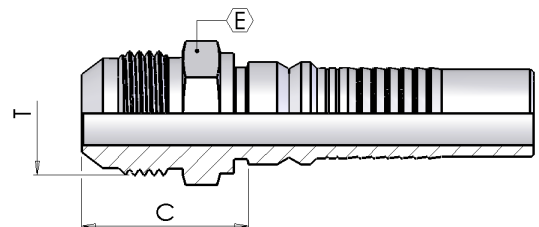
### BSP 45° Swept Elbow 60° Cone - Thrust Wire



Part number	Hose I.D.		Dimensions				
			dash	Thread	Cut-Off	Hex	Drop
	in	mm	size	T	C	E	H
X0250H12-12	3/4	19.0	12	3/4-14	84	32	28
X0250H16-16	1	25.4	16	1-11	112	38	38
X0250H20-20	1.1/4	31.8	20	1.1/4-11	137	50	41
X0250H24-24	1.1/2	38.1	24	1.1/2-11	166	55	54
X0250H32-32	2	50.8	32	2-11	195	70	70

## X0850H

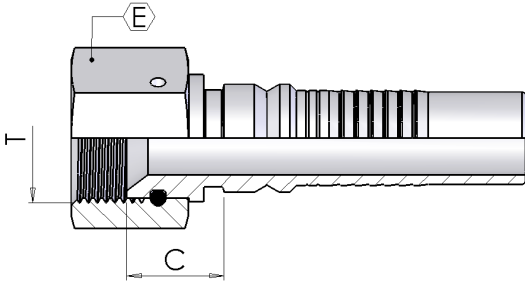
### JIC Male 74° Cone



Part number	Hose I.D.		Dimensions			
			dash	Thread	Cut-Off	Hex
	in	mm	size	T	C	E
X0850H12-12	3/4	19.0	12	1.1/16-12	36	27
X0850H16-16	1	25.4	16	1.5/16-12	40	34
X0850H20-20	1.1/4	31.8	20	1.5/8-12	44	42
X0850H24-24	1.1/2	38.1	24	1.7/8-12	49	50
X0850H32-32	2	50.8	32	2.1/2-12	61	65

## X0900H

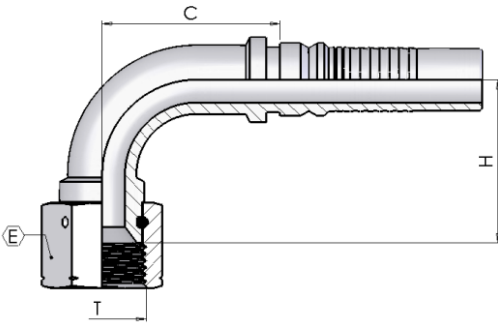
### JIC Female 74° Cone - Thrust Wire



Part number	Hose I.D.		Dimensions			
			dash	Thread	Cut-Off	Hex
	in	mm	size	T	C	E
X0900H12-12	3/4	19.0	12	1.1/16-12	19	32
X0900H12-16	3/4	19.0	12	1.5/16-12	22	41
X0900H16-16	1	25.4	16	1.5/16-12	23	41
X0900H20-20	1.1/4	31.8	20	1.5/8-12	26	50
X0900H24-24	1.1/2	38.1	24	1.7/8-12	29	55
X0900H32-32	2	50.8	32	2.1/2-12	30	70

## X0950H

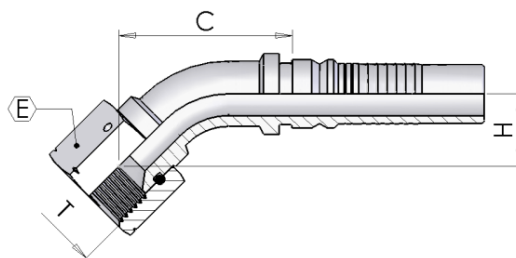
### JIC 90° Swept Elbow 74° Cone - Thrust Wire



Part number	Hose I.D.		Dimensions				
			dash	Thread	Cut-Off	Hex	Drop
	in	mm	size	T	C	E	H
X0950H12-12	3/4	19.0	12	1.1/16-12	54	32	54
X0950H12-16	3/4	19.0	12	1.5/16-12	54	41	62
X0950H16-16	1	25.4	16	1.5/16-12	77	41	66
X0950H20-20	1.1/4	31.8	20	1.5/8-12	92	50	86
X0950H24-24	1.1/2	38.1	24	1.7/8-12	112	55	100
X0950H32-32	2	50.8	32	2.1/2-12	121	70	134

## X1000H

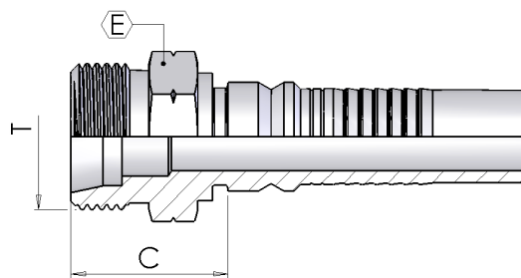
### JIC 45° Swept Elbow 74° Cone - Thrust Wire



Part number	Hose I.D.		Dimensions				
			dash	Thread	Cut-Off	Hex	Drop
	in	mm	size	T	C	E	H
X1000H12-12	3/4	19.0	12	1.1/16-12	85	32	28
X1000H12-16	3/4	19.0	12	1.5/16-12	88	41	32
X1000H16-16	1	25.4	16	1.5/16-12	113	41	36
X1000H20-20	1.1/4	31.8	20	1.5/8-12	133	50	50
X1000H24-24	1.1/2	38.1	24	1.7/8-12	165	55	49
X1000H32-32	2	50.8	32	2.1/2-12	194	70	67

## X0450H

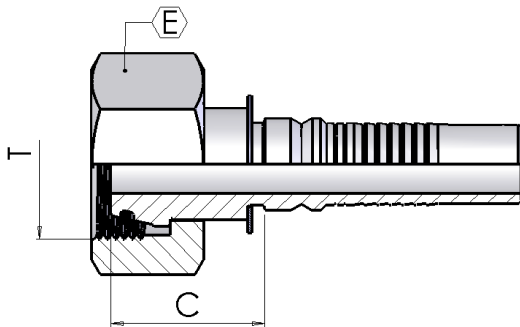
### Metric Male 24° - Seat Heavy



Part number	Hose I.D.		Dimensions				
			dash	Thread		Cut-Off	Hex
	in	mm	size	T	Erm	C	E
X0450H12-36	3/4	19.0	12	M36-2	25	36	36
X0450H16-42	1	25.4	16	M42-2	30	39	46
X0450H20-52	1.1/4	31.8	20	M52-2	38	42	55
X0450H24-52	1.1/2	38.1	24	M52-2	38	43	55

## X0084H

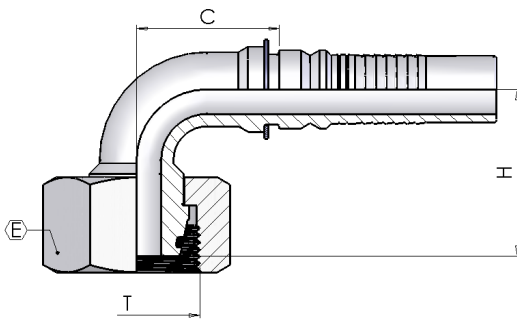
**Metric Female 24°  
- Seat Heavy**



Part number	Hose I.D.		Dimensions				
			dash	Thread		Cut-Off	Hex
			size	T	Erm	C	E
X0084H12-36	3/4	19.0	12	M36-2	25	37	46
X0084H16-36	1	25.4	16	M36-2	25	38	46
X0084H16-42	1	25.4	16	M42-2	30	41	50
X0084H20-52	1.1/4	31.8	20	M52-2	38	41	60
X0084H24-52	1.1/2	38.1	24	M52-2	38	42	60

## X0184H

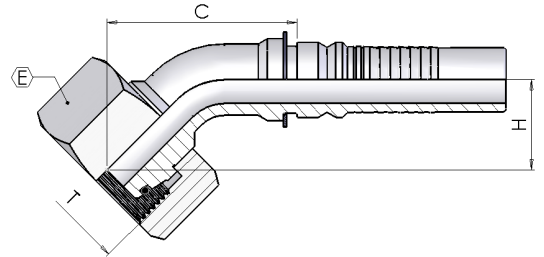
**90° Metric Swept Elbow 24°  
- Seat Heavy**



Part number	Hose I.D.		Dimensions					
			dash	Thread		Cut-Off	Hex	Drop
			size	T	Erm	C	E	H
X0184H12-36	3/4	19.0	12	M36-2	25	55	46	58
X0184H16-36	1	25.4	16	M36-2	25	75	46	68
X0184H16-42	1	25.4	16	M42-2	30	74	50	69
X0184H20-52	1.1/4	31.8	20	M52-2	38	94	60	81

## X0284H

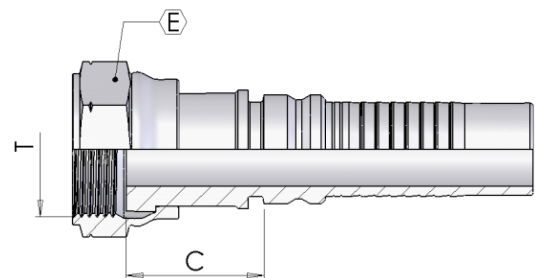
### 45° Metric Swept Elbow 24° - Seat Heavy



Part number	Hose I.D.		Dimensions					
			dash	Thread		Cut-Off	Hex	Drop
			size	T	Erm	C	E	H
X0284H12-36	3/4	19.0	12	M36-2	25	94	46	31
X0284H16-36	1	25.4	16	M36-2	25	110	46	34
X0284H16-42	1	25.4	16	M42-2	30	112	50	33
X0284H20-52	1.1/4	31.8	20	M52-2	38	93	60	81

## XS050H

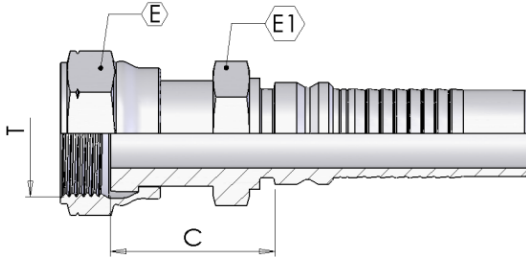
### ORFS Female



Part number	Hose I.D.		Dimensions			
			dash	Thread	Cut-Off	Hex
			size	T	C	E
XS050H12-14	3/4	19.0	12	1.3/16-12	33	36
XS050H16-15	1	25.4	16	1.7/16-12	37	41
XS050H16-21	1	25.4	16	1.11/16-12	36	50
XS050H20-21	1.1/4	31.8	20	1.11/16-12	37	50
XS050H20-32	1.1/4	31.8	20	2-12	37	60
XS050H24-32	1.1/2	38.1	24	2-12	41	60

## XS05TH

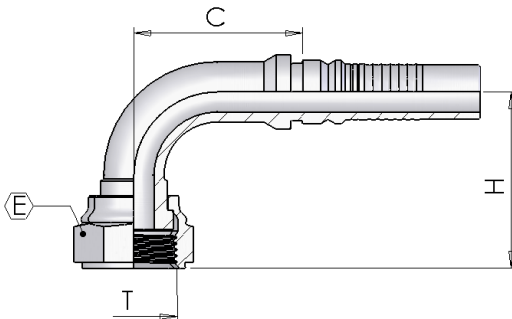
### ORFS Female Back Hexagon



Part number	Hose I.D.		Dimensions				
			dash	Thread	Cut-Off	Hex	
	in	mm	size	T	C	E	E1
XS05TH12-14	3/4	19.0	12	1.3/16-12	39	36	30
XS05TH16-15	1	25.4	16	1.7/16-12	47	41	36
XS05TH20-21	1.1/4	31.8	20	1.11/16-12	50	50	46

## XS150H

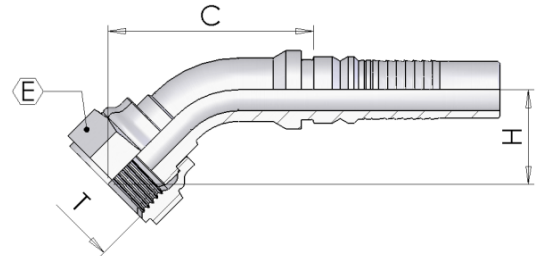
### ORFS 90° Swept Elbow



Part number	Hose I.D.		Dimensions				
			dash	Thread	Cut-Off	Hex	Drop
	in	mm	size	T	C	E	H
XS150H12-14	3/4	19.0	12	1.3/16-12	54	36	49
XS150H16-15	1	25.4	16	1.7/16-12	69	41	66
XS150H20-21	1.1/4	31.8	20	1.11/16-12	87	50	80
XS150H24-32	1.1/2	38.1	24	2-12	111	60	102

## XS250H

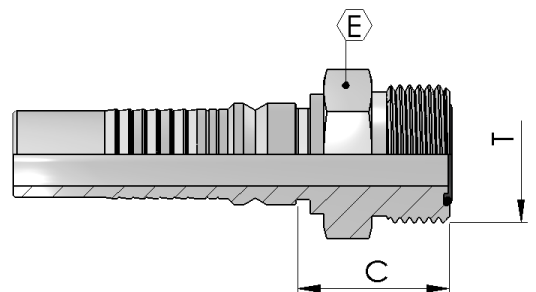
### ORFS 45° Swept Elbow



Part number	Hose I.D.		Dimensions				
			dash	Thread	Cut-Off	Hex	Drop
	in	mm	size	T	C	E	H
XS250H12-14	3/4	19.0	12	1.3/16-12	84	36	23
XS250H16-15	1	25.4	16	1.7/16-12	107	41	33
XS250H20-21	1.1/4	31.8	20	1.11/16-12	130	50	37
XS250H24-32	1.1/2	38.1	24	2-12	165	60	50

## XS350H

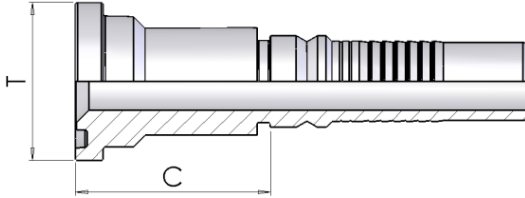
### ORFS Male



Part number	Hose I.D.		Dimensions			
			dash	Thread	Cut-Off	Hex
	in	mm	size	T	C	E
XS350H12-14	3/4	19.0	12	1.3/16-12	34	32
XS350H16-15	1	25.4	16	1.7/16-12	35	38
XS350H20-21	1.1/4	31.8	20	1.11/16-12	36	46

## X1250H

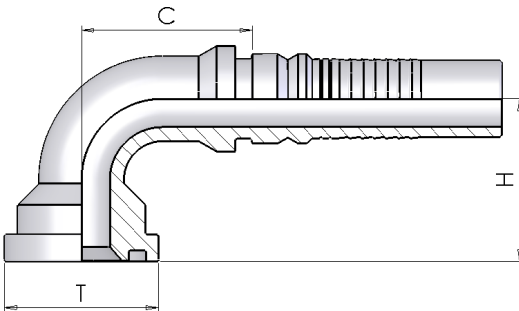
### Straight SAE Flange 3000 PSI



Part number	Hose I.D.		Dimensions			
			dash	Flange		Cut-Off
	in	mm	size	T	mm	C
X1250H12-12	3/4	19.0	12	3/4	38.1	47
X1250H12-16	3/4	19.0	12	1	44.5	50
X1250H16-16	1	25.4	16	1	44.5	52
X1250H16-20	1	25.4	16	1.1/4	50.8	55
X1250H20-20	1.1/4	31.8	20	1.1/4	50.8	56
X1250H20-24	1.1/4	31.8	20	1.1/2	60.3	59
X1250H24-24	1.1/2	38.1	24	1.1/2	60.3	60
X1250H24-32	1.1/2	38.1	24	2	71.4	65
X1250H32-32	2	50.8	32	2	71.4	67

## X1050H

### 90° SAE Flange 3000 PSI

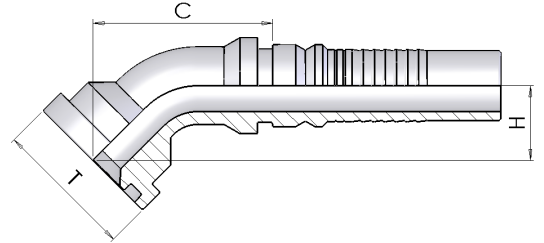


Part number	Hose I.D.		Dimensions				
			dash	Flange		Cut-Off	Drop
	in	mm	size	T	mm	C	H
X1050H12-12	3/4	19.0	12	3/4	38.1	52	52
X1050H12-16	3/4	19.0	12	1	44.5	55	56
X1050H16-16	1	25.4	16	1	44.5	73	65
X1050H16-20	1	25.4	16	1.1/4	50.8	69	71
X1050H20-20	1.1/4	31.8	20	1.1/4	50.8	93	78
X1050H20-24	1.1/4	31.8	20	1.1/2	60.3	97	80
X1050H24-24	1.1/2	38.1	24	1.1/2	60.3	100	95
X1050H24-32	1.1/2	38.1	24	2	71.4	134	101
X1050H32-32	2	50.8	32	2	71.4	122	121



# X1150H

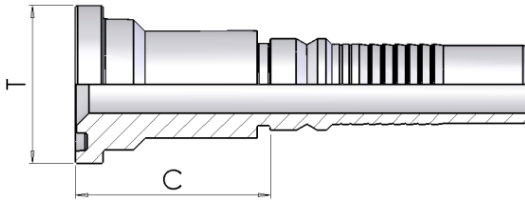
## 45° SAE Flange 3000 PSI



Part number	Hose I.D.		Dimensions				
			dash	Flange		Cut-Off	Drop
	in	mm	size	T	mm	C	H
X1150H12-12	3/4	19.0	12	3/4	38.1	81	25
X1150H12-16	3/4	19.0	12	1	44.5	86	28
X1150H16-16	1	25.4	16	1	44.5	107	35
X1150H16-20	1	25.4	16	1.1/4	50.8	113	37
X1150H20-20	1.1/4	31.8	20	1.1/4	50.8	136	37
X1150H20-24	1.1/4	31.8	20	1.1/2	60.3	136	40
X1150H24-24	1.1/2	38.1	24	1.1/2	60.3	159	44
X1150H24-32	1.1/2	38.1	24	2	71.4	159	47
X1150H32-32	2	50.8	32	2	71.4	182	56

# X1300H

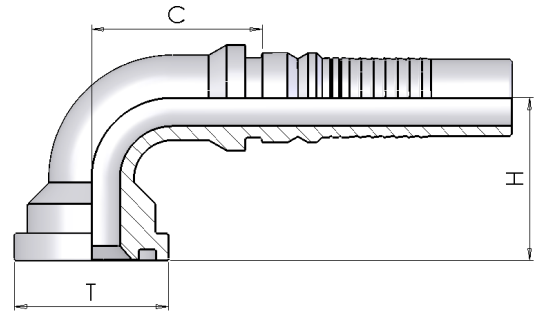
## Straight SAE Flange 6000 PSI



Part number	Hose I.D.		Dimensions			
			dash	Flange		Cut-Off
	in	mm	size	T	mm	C
X1300H12-12	3/4	19.0	12	3/4	41.3	51
X1300H12-16	3/4	19.0	12	1	47.6	57
X1300H16-12	1	25.4	16	3/4	41.3	52
X1300H16-16	1	25.4	16	1	47.6	59
X1300H16-20	1	25.4	16	1.1/4	54	66
X1300H20-16	1.1/4	31.8	20	1	47.6	60
X1300H20-20	1.1/4	31.8	20	1.1/4	54	67
X1300H20-24	1.1/4	31.8	20	1.1/2	63.5	73
X1300H24-20	1.1/2	38.1	24	1.1/4	54	75
X1300H24-24	1.1/2	38.1	24	1.1/2	63.5	74
X1300H24-32	1.1/2	38.1	24	2	79.4	82
X1300H32-32	2	50.8	32	2	79.4	84

# X1100H

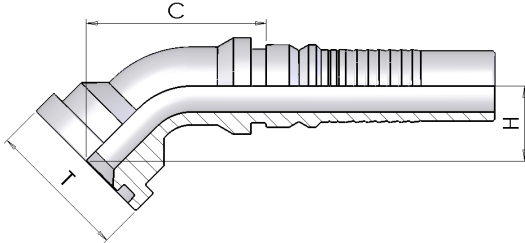
## 90° SAE Flange 6000 PSI



Part number	Hose I.D.		Dimensions				
			dash	Flange		Cut-Off	Drop
	in	mm	size	T	mm	C	H
X1100H12-12	3/4	19.0	12	3/4	41.3	53	55
X1100H12-16	3/4	19.0	12	1	47.6	52	63
X1100H16-12	1	25.4	16	3/4	41.3	73	66
X1100H16-16	1	25.4	16	1	47.6	74	72
X1100H16-20	1	25.4	16	1.1/4	54	73	79.5
X1100H20-16	1.1/4	31.8	20	1	47.6	93	80
X1100H20-20	1.1/4	31.8	20	1.1/4	54	93	84,5
X1100H20-24	1.1/4	31.8	20	1.1/2	63.5	98	90
X1100H24-24	1.1/2	38.1	24	1.1/2	63.5	114	101
X1100H24-32	1.1/2	38.1	24	2	79.4	115	115
X1100H32-32	2	50.8	32	2	79.4	124	138

# X1200H

## 45° SAE Flange 6000 PSI



Part number	Hose I.D.		Dimensions				
			dash	Flange		Cut-Off	Drop
	in	mm	size	T	mm	C	H
X1200H12-12	3/4	19.0	12	3/4	41.3	85	28
X1200H12-16	3/4	19.0	12	1	47.6	88	34
X1200H16-12	1	25.4	16	3/4	41.3	107	35
X1200H16-16	1	25.4	16	1	47.6	112	34
X1200H16-20	1	25.4	16	1.1/4	54	117	40
X1200H20-16	1.1/4	31.8	20	1	47.6	117	42
X1200H20-20	1.1/4	31.8	20	1.1/4	54	139	43
X1200H20-24	1.1/4	31.8	20	1.1/2	63.5	144	48
X1200H24-24	1.1/2	38.1	24	1.1/2	63.5	167	50
X1200H24-32	1.1/2	38.1	24	2	79.4	166	64
X1200H32-32	2	50.8	32	2	79.4	200	72





# BSP ADAPTORS

in

BSPP nipples

**X1700**



Union

84

**X1800**



Reduction Nipple

85

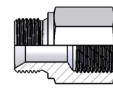
**XR605**



Short Male-Female Reduction

86

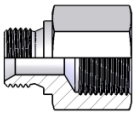
**X2000**



Male/female connector

87

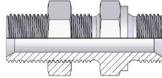
**X2010**



Female-Male Reduction

88

**XA106**

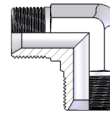


Bulkhead Union

111

BSPP Male

**X4520**

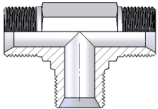


90° Union Elbow

89

BSPP Tee Swivel

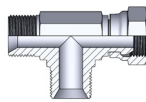
**X4730**



Union Tee

89

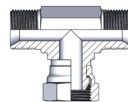
**X4701**



Female run tee

90

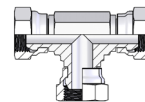
**X4711**



Female branch tee

90

**X4721**

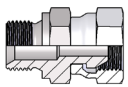


Swivel Female Union Tee

91

BSPP M/F Swivel

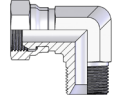
**X2351**



Swivel Connector

92

**X4501**

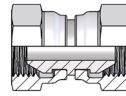


Swivel 90° Elbow

93

BSPP F/F Swivel

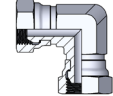
**X2451**



Swivel Connector

93

**X4551**

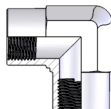


Swivel 90° Elbow

94

BSPP F/F

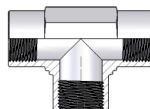
**X4570**



90° Elbow Union

94

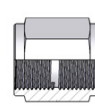
**X4820**



Union Tee

95

**XA105**



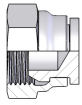
Union

95

BSPP plug swivel

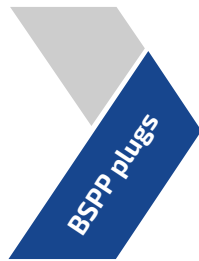


**XA608**

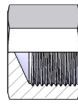


Female Plug Swivel

96



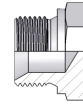
**XA604**



Female Plug

97

**XA605**

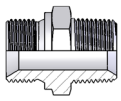


Male plug

98



**X1865**

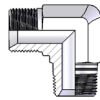


Male Connector BSP/  
BSPT

99



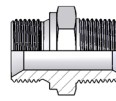
**X4620**



90° connector BSP  
male x BSPT male

99

**X1875**

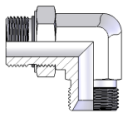


Male Connector BSP/  
NPTF

100



**X3900**

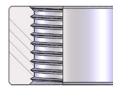


Adjustable Elbow  
BSP/BSP

101



**X2200**

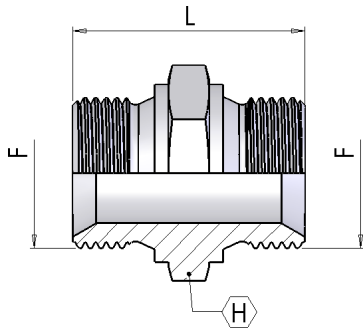


Threaded Sleeve

102

# X1700

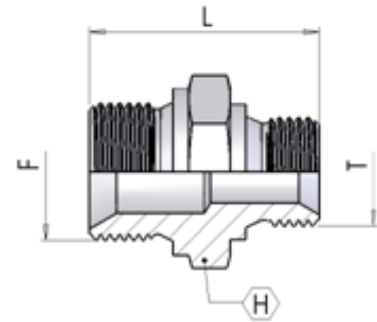
## Union



Part number	Ø Tube		Dimensions		
			F	L	H
	in	mm			
X1700-02-02	1/4"	6	1/8-28	24	14
X1700-04-04	5/16"	8	1/4-19	32	19
X1700-06-06	3/8"	10	3/8-19	36	22
X1700-08-08	1/2"	12	1/2-14	42	27
X1700-10-10	5/8"	16	5/8-14	46	30
X1700-12-12	3/4"	20	3/4-14	45.6	32
X1700-16-16	1"	25	1-11	51	41
X1700-20-20	1.1/4"	32	1.1/4-11	57	50
X1700-24-24	1.1/2"	38	1.1/2-11	60	55
X1700-32-32	2"	51	2-11	71	70

# X1800

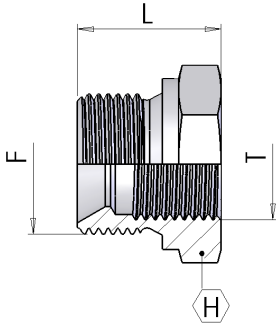
## Reduction Niple



Part number	Ø Tube		Dimensions			
			T	F	L	H
	in	mm				
X1800-04-02	1/4"	6	1/8-28	1/4-19	29	19
X1800-06-02	1/4"	6	1/8-28	3/8-19	30	22
X1800-06-04	5/16"	8	1/4-19	3/8-19	34	22
X1800-08-04	5/16"	8	1/4-19	1/2-14	35	27
X1800-08-06	3/8"	10	3/8-19	1/2-14	40	27
X1800-10-08	1/2"	12	1/2-14	5/8-14	44	30
X1800-12-04	5/16"	8	1/4-19	3/4-14	41	32
X1800-12-06	3/8"	10	3/8-19	3/4-14	42	32
X1800-12-08	1/2"	12	1/2-14	3/4-14	44	32
X1800-12-10	5/8"	16	5/8-14	3/4-14	46	32
X1800-16-06	3/8"	10	3/8-19	1-11	45	38
X1800-16-08	1/2"	12	1/2-14	1-11	47	41
X1800-16-12	3/4"	20	3/4-14	1-11	49	41
X1800-20-12	3/4"	20	3/4-14	1.1/4-11	52	50
X1800-20-16	1"	25	1-11	1.1/4-11	55	50
X1800-24-12	3/4"	20	3/4-14	1.1/2-11	54	55
X1800-24-16	1"	25	1-11	1.1/2-11	58	55
X1800-24-20	1.1/4"	32	1.1/4-11	1.1/2-11	58	55
X1800-32-16	1"	25	1-11	2-11	64	70
X1800-32-20	1.1/4"	32	1.1/4-11	2-11	66	70
X1800-32-24	1.1/2"	38	1.1/2-11	2-11	68	70

# XR605

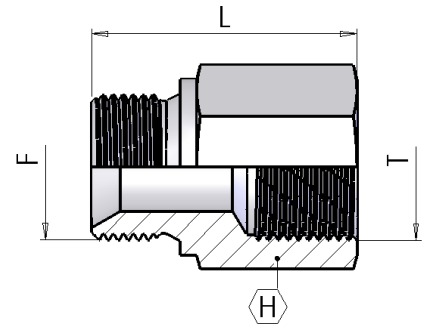
## Short Male-Female Reduction



Part number	Ø Tube		Dimensions			
			Thread			
	in	mm	T	F	L	H
XR605-04-02	1/4"	6	1/8"-28	1/4"-19	23	19
XR605-06-02	1/4"	6	1/8"-28	3/8"-14	21.5	22
XR605-06-04	5/16"	8	1/4-19	3/8-19	27	22
XR605-08-04	5/16"	8	1/4-19	1/2-14	25	27
XR605-08-06	3/8"	10	3/8-19	1/2-14	28.5	27
XR605-12-04	5/16"	8	1/4"-19	3/4"-14	27	32
XR605-12-06	3/8"	10	3/8-19	3/4-14	27	32
XR605-12-08	1/2"	12	1/2-14	3/4-14	27	32
XR605-16-06	3/8"	10	3/8-19	1-11	30	41
XR605-16-08	1/2"	12	1/2-14	1-11	30	41
XR605-16-12	3/4"	20	3/4-14	1-11	30	41
XR605-20-12	3/4"	20	3/4-14	1.1/4-11	34	50
XR605-20-16	1"	25	1-11	1.1/4-11	34	50
XR605-24-16	1"	25	1-11	1.1/2-11	35	55
XR605-24-20	1.1/4"	32	1.1/4-11	1.1/2-11	39	55
XR605-32-20	1.1/4"	32	1.1/4-11	2-11	42.5	70
XR605-32-24	1.1/2"	38	1.1/2-11	2-11	42.5	70

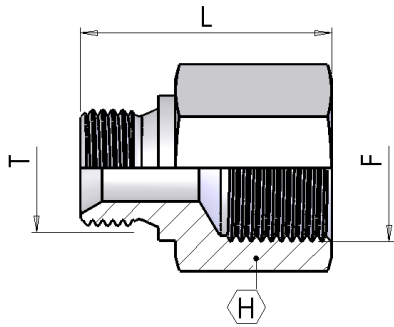
# X2000

## Male/female connector



Part number	Ø Tube		Dimensions			
			Thread			
	in	mm	T	F	L	H
X2000-04-32	5/16"	8	1/4-19	1/4-19	32	19
X2000-04-47	5/16"	8	1/4-19	1/4-19	47	19
X2000-04-62	5/16"	8	1/4-19	1/4-19	62	19
X2000-06-33	3/8"	10	3/8-19	3/8-19	33	22
X2000-06-48	3/8"	10	3/8-19	3/8-19	48	22
X2000-06-63	3/8"	10	3/8-19	3/8-19	63	22
X2000-08-40	1/2"	12	1/2-14	1/2-14	40	27
X2000-08-50	1/2"	12	1/2-14	1/2-14	50	27
X2000-08-65	1/2"	12	1/2-14	1/2-14	65	27
X2000-12-46	3/4"	20	3/4-14	3/4-14	46	32
X2000-16-50	1"	25	1-11	1-11	50	41

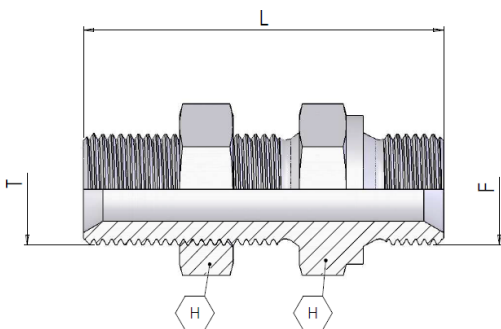
## X2010



### Female-Male Reduction

Part number	Ø Tube		Dimensions				
			T	F	L	LH	H
X2010-04-02	1/4"	6	1/8-28	1/4-19	30	20	19
X2010-04-06	3/8"	10	3/8-19	1/4-19	35	22	22
X2010-06-04	5/16"	8	1/4-19	3/8-19	32	20	22
X2010-06-08	1/2"	12	1/2-14	3/8-19	35	20	27
X2010-08-06	3/8"	10	3/8-19	1/2-14	37	25	27
X2010-08-12	3/4"	20	3/4-11	1/2-14	41	25	32
X2010-12-08	1/2"	12	1/2-14	3/4-11	42	27	32
X2010-12-16	1"	25	1-11	3/4-11	50	30	41
X2010-16-12	3/4"	20	3/4-14	1-11	47	30	41
X2010-20-16	1"	25	1-11	1.1/4-11	55	35	50
X2010-24-20	3/4"	20	1.1/4-11	1.1/2-11	50	30	55

## XA106

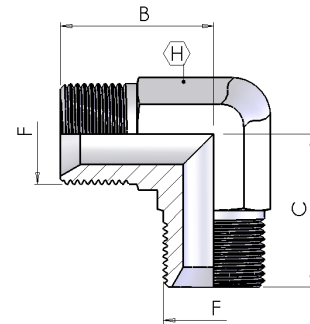


### Bulkhead Union

Part number	Ø Tube		Dimensions			
			Thread	T	F	H
XA106-04	5/16"	8	1/4-19	1/4-19	46	19
XA106-06	3/8"	10	3/8-19	3/8-19	54	22
XA106-08	1/2"	12	1/2-14	1/2-14	57	27
XA106-10	5/8"	16	5/8-14	5/8-14	65	30
XA106-12	3/4"	20	3/4-14	3/4-14	65	32
XA106-16	1"	25	1-11	1-11	73	41
XA106-20	1.1/4"	32	2-11	2-11	79	50

## X4520

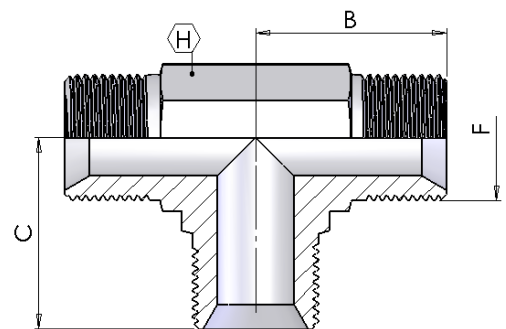
### 90° Union Elbow



Part number	Ø Tube		Dimensions			
			B	C	F	H
	in	mm				
X4520-04	5/16"	8	24.5	24.5	1/4-19	14
X4520-06	3/8"	10	25.5	25.5	3/8-19	17
X4520-08	1/2"	12	29.5	29.5	1/2-14	19
X4520-12	3/4"	20	37	37	3/4-14	27
X4520-16	1"	25	43	43	1-11	36
X4520-20	1.1/4"	32	51	51	1.1/4-11	41
X4520-24	1.1/2"	38	59	59	1.1/2-11	50

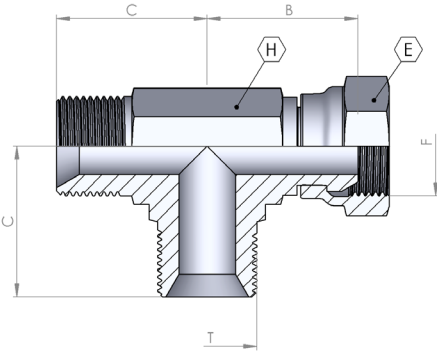
## X4730

### Union Tee



Part number	Ø Tube		Dimensions			
			B	C	F	H
	in	mm				
X4730-04	5/16"	8	24.5	24.5	1/4-19	14
X4730-08	1/2"	12	25.5	25.5	1/2-14	19
X4730-12	3/4"	20	37	37	3/4-14	27
X4730-16	1"	25	43	43	1-11	36
X4730-20	1.1/4"	32	51	51	1.1/4-11	41
X4730-24	1.1/2"	38	59	59	1.1/2-11	50

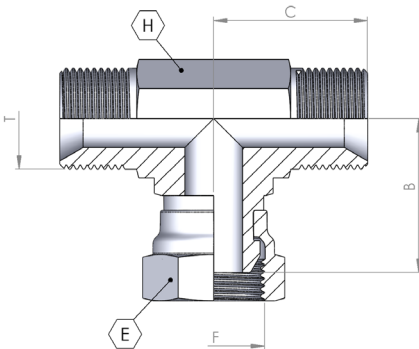
## X4701



### Female run tee

Part number	Ø Tube		Dimensions					
			Thread			Hex		
	in	mm	T	B	C	E	F	H
X4701-04	5/16"	8	1/4-19	24.5	24.5	19	1/4-19	14
X4701-06	3/8"	10	3/8-19	25.5	25.5	22	3/8-19	17
X4701-08	1/2"	12	1/2-14	29.5	29.5	27	1/2-14	19
X4701-12	3/4"	20	3/4-14	37	37	32	3/4-14	27
X4701-16	1"	25	1-11	43	43	41	1-11	36
X4701-20	1.1/4"	32	1.1/4-11	51	51	50	1.1/4-11	41
X4701-24	1.1/2"	38	1.1/2-11	50	59	55	1.1/2-11	50

## X4711



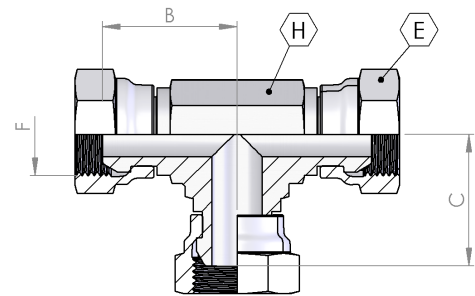
### Female branch tee

Part number	Ø Tube		Dimensions					
			Thread			Hex		
	in	mm	T	B	C	E	F	H
X4711-04	5/16"	8	1/4-19	23.5	24.5	19	1/4-19	14
X4711-06	3/8"	10	3/8-19	25.5	25.5	22	3/8-19	17
X4711-08	1/2"	12	1/2-14	29.5	29.5	27	1/2-14	19
X4711-12	3/4"	20	3/4-14	37	37	32	3/4-14	27
X4711-16	1"	25	1-11	43	43	41	1-11	36
X4711-20	1.1/4"	32	1.1/4-11	51	51	50	1.1/4-11	41
X4711-24	1.1/2"	38	1.1/2-11	59	59	55	1.1/2-11	50



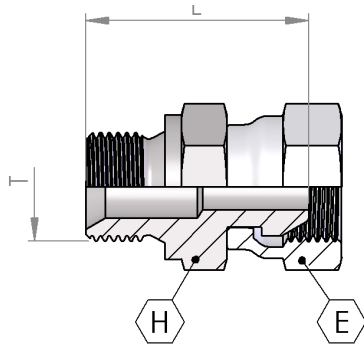
## X4721

## Swivel Female Union Tee



Part number	Dimensions				
	B	C	Hex E	F	H
X4721-04	23.5	23.5	19	1/4-19	14
X4721-06	25.5	25.5	22	3/8-19	17
X4721-08	29.5	29.5	27	1/2-14	19
X4721-12	37	37	32	3/4-14	27
X4721-16	43	43	41	1-11	36
X4721-20	51	51	50	1.1/4-11	41
X4721-24	50	50	55	1.1/2-11	50

# X2351

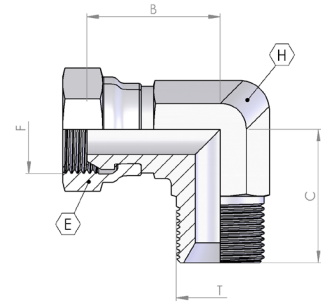


## Swivel Connector

Part number	Ø Tube		Dimensions				
			T	Hex E	F	L	H
	in	mm					
X2351-02-02	1/4"	6	1/8-28	14	1/8-28	23	14
X2351-04-04	5/16"	8	1/4-19	19	1/4-19	32	19
X2351-04-06	5/16"	8	1/4-19	22	3/8-19	31.5	19
X2351-06-04	3/8"	10	3/8-19	19	1/4-19	31.5	22
X2351-06-06	3/8"	10	3/8-19	22	3/8-19	32.5	22
X2351-06-08	3/8"	10	3/8-19	27	1/2-19	32.5	22
X2351-08-06	1/2"	12	1/2-14	22	3/8-19	37	27
X2351-08-08	1/2"	12	1/2-14	27	1/2-14	36	27
X2351-08-12	1/2"	12	1/2-14	32	3/4-14	42	27
X2351-12-08	3/4"	20	3/4-14	27	1/2-14	39.5	32
X2351-12-12	3/4"	20	3/4-14	32	3/4-14	41	32
X2351-12-16	3/4"	20	3/4-14	41	1-11	44	32
X2351-16-12	1"	25	1-11	32	3/4-19	45	41
X2351-16-16	1"	25	1-11	41	1-11	45.5	41
X2351-16-20	1"	25	1-11	50	1.1/4-11	53	41
X2351-20-20	1.1/4"	32	1.1/4-11	50	1.1/4-11	48.5	50
X2351-24-24	1.1/2"	38	1.1/2-11	55	1.1/2-11	53	55
X2351-32-32	2"	51	2-11	70	2-11	72	70

## X4501

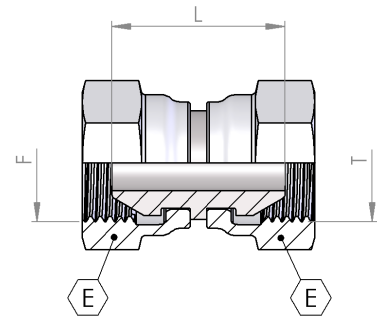
### Swivel 90° Elbow



Part number	Ø Tube		Dimensions					
			Thread			Hex		
	in	mm	T	B	C	E	F	H
X4501-04	5/16"	8	1/4-19	23.5	24.5	19	1/4-19	14
X4501-06	3/8"	10	3/8-19	25.5	25.5	22	3/8-19	17
X4501-08	1/2"	12	1/2-14	29.5	29.5	27	1/2-14	19
X4501-12	3/4"	20	3/4-14	37	37	32	3/4-14	27
X4501-16	1"	25	1-11	43	43	41	1-11	36
X4501-20	1.1/4"	32	1.1/4-11	51	51	50	1.1/4-11	41
X4501-24	1.1/2"	38	1.1/2-11	50	59	55	1.1/2-11	50

## X2451

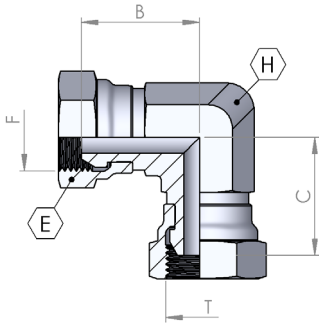
### Swivel Connector



Part number	Dimensions			
	Thread	Hex		
	T	E	F	L
X2451-04-04	1/4-19	19	1/4-19	26
X2451-06-06	3/8-19	22	3/8-19	30
X2451-08-08	1/2-14	27	1/2-14	29
X2451-12-12	3/4-14	32	3/4-14	34
X2451-16-16	1-11	41	1-11	36
X2451-20-20	1.1/4-11	50	1.1/4-11	38
X2451-24-24	1.1/2-11	55	1.1/2-11	51
X2451-32-32	2-11	70	2-11	66

# X4551

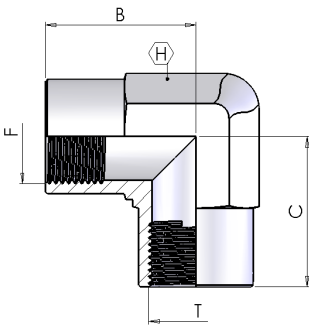
## Swivel 90° Elbow



Part number	Dimensions					
	Thread			Hex		
	T	B	C	E	F	H
X4551-04	1/4-19	23.5	23.5	19	1/4-19	14
X4551-06	3/8-19	25.5	25.5	22	3/8-19	17
X4551-08	1/2-14	29.5	29.5	27	1/2-14	19
X4551-12	3/4-14	37	37	32	3/4-14	27
X4551-16	1-11	43	43	41	1-11	36
X4551-20	1.1/4-11	51	51	50	1.1/4-11	41
X4551-24	1.1/2-11	50	50	55	1.1/2-11	50

# X4570

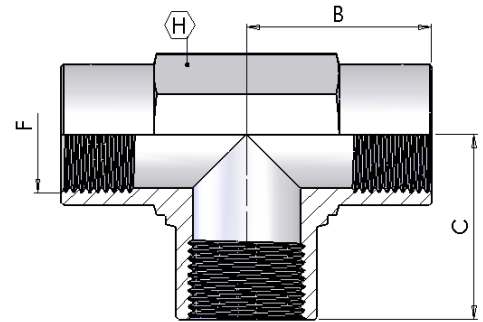
## 90° Elbow Union



Part number	Dimensions				
	T	B	C	F	H
X4570-04	1/4-19	22.5	22.5	1/4-19	19
X4570-06	3/8-19	26.2	26.2	3/8-19	24
X4570-08	1/2-14	31.5	31.5	1/2-14	27
X4570-12	3/4-14	33.5	33.5	3/4-14	36
X4570-16	1-11	43	43	1-11	41

# X4820

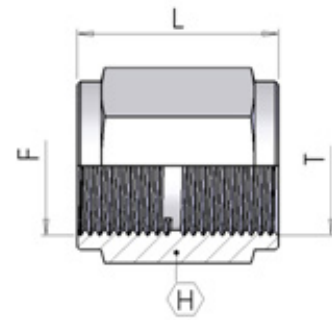
## Union Tee



Part number	Dimensions			
	B	C	F	H
X4820-04	22.5	22.5	1/4-19	19
X4820-06	26.2	26.2	3/8-19	24
X4820-08	31.5	31.5	1/2-14	27
X4820-12	33.5	33.5	3/4-14	36
X4820-16	43	43	1-11	41

# XA105

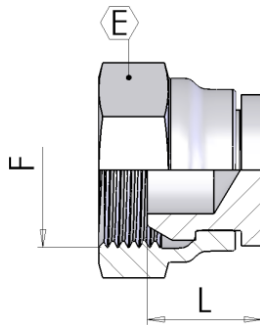
## Union



Part number	Dimensions			
	T	F	L	H
XA105-02-02	1/8-28	1/8-28	22	14
XA105-04-04	1/4-19	1/4-19	25	19
XA105-06-06	3/8-19	3/8-19	30	22
XA105-08-08	1/2-14	1/2-14	35	27
XA105-12-12	3/4-14	3/4-14	40	32
XA105-16-16	1-11	1-11	45	41
XA105-20-20	1.1/4-11	1.1/4-11	50	50
XA105-24-24	1.1/2-11	1.1/2-11	60	55
XA105-32-32	2-11	2-11	60	70

# XA608

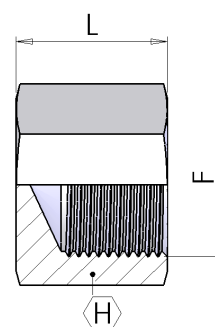
## Female Plug Swivel



Part number	Dimensions		
	Hex		
	E	F	L
XA608-02	14	1/8-28	11
XA608-04	19	1/4-19	14
XA608-06	22	3/8-19	15
XA608-08	27	1/2-14	16
XA608-10	30	5/8-14	16
XA608-12	32	3/4-14	18
XA608-16	38	1-11	20
XA608-20	50	1.1/4-11	24
XA608-24	55	1.1/2-11	27
XA608-32	70	2-11	24

## XA604

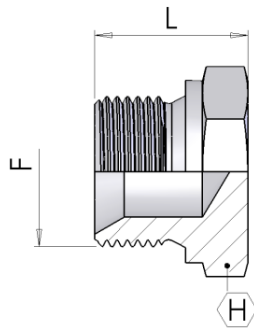
## Female Plug



Part number	Dimensions		
	F	L	H
XA604-02	1/8-28	16	14
XA604-04	1/4-19	19	19
XA604-06	3/8-19	21	22
XA604-08	1/2-14	23	27
XA604-10	5/8-14	25	30
XA604-12	3/4-14	28	32
XA604-16	1-11	31	41
XA604-20	1.1/4-11	36	50
XA604-24	1.1/2-11	41	55
XA604-32	2-11	46	70

# XA605

Male plug

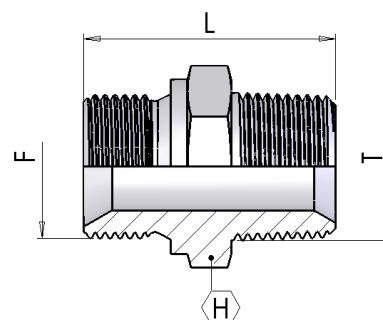


Part number	Dimensions		
	F	L	H
XA605-02	1/8-28	15	14
XA605-04	1/4-19	19	19
XA605-06	3/8-19	22	22
XA605-08	1/2-14	25	27
XA605-10	5/8-14	27	30
XA605-12	3/4-14	27	32
XA605-16	1-11	30	41
XA605-20	1.1/4-11	34	50
XA605-24	1.1/2-11	39	55
XA605-32	2-11	43	70



## X1865

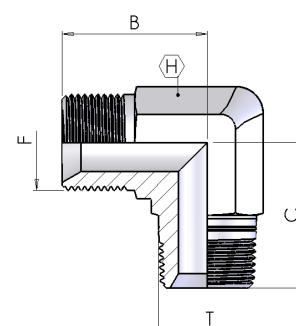
### Male Connector BSP/BSPT



Part number	Ø Tube		Dimensions			
			Thread			
	in	mm	T	F	L	H
X1865-02-02	1/4"	6	1/8-28	1/8-28	23	14
X1865-04-04	5/16"	8	1/4-19	1/4-19	30	19
X1865-06-06	3/8"	10	3/8-19	3/8-19	35.5	22
X1865-08-08	1/2"	12	1/2-14	1/2-14	43	27
X1865-08-12	1/2"	12	3/4-14	1/2-14	45	27
X1865-12-12	3/4"	20	3/4-14	3/4-14	46	32
X1865-16-16	1"	25	1-11	1-11	54	41
X1865-20-20	1.1/4"	32	1.1/4-11	1.1/4-11	54.5	50
X1865-24-24	1.1/2"	38	1.1/2-11	1.1/2-11	60.4	55
X1865-32-32	2"	51	2-11	2-11	63	70

## X4620

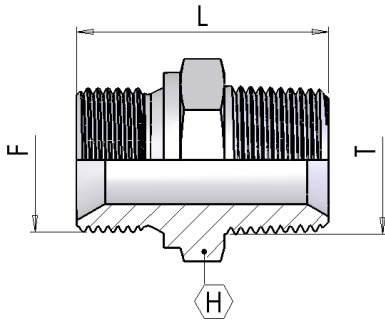
### 90° connector BSP male x BSPT male



Part number	Ø Tube		Dimensions				
			Thread				
	in	mm	T	B	C	F	H
X4620-02	1/4"	6	1/8-28	20	20	1/8-28	12
X4620-04	5/16"	8	1/4-19	24.5	26	1/4-19	14
X4620-06	3/8"	10	3/8-19	25.5	25.5	3/8-19	17
X4620-08	1/2"	12	1/2-14	29.5	35	1/2-14	19
X4620-12	3/4"	20	3/4-14	37	37	3/4-14	27
X4620-16	1"	25	1-11	43	43	1-11	36
X4620-24	1.1/2"	38	1.1/2-11	59	63	1.1/2-11	50

# X1875

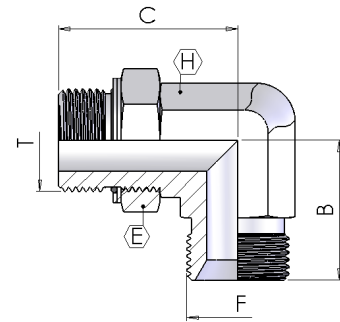
## Male Connector BSP/NPTF



Part number	Ø Tube		Dimensions			
			Thread			
	in	mm	T	F	L	H
X1875-04-04	1/4"	6	1/4-18	1/4-19	32.5	19
X1875-04-06	1/4"	6	3/8-18	1/4-19	33	19
X1875-04-08	1/4"	6	1/2-14	1/4-19	40	22
X1875-06-04	3/8"	10	1/4-18	3/8-19	35.5	22
X1875-06-06	3/8"	10	3/8-18	3/8-19	38	22
X1875-06-08	3/8"	10	1/2-14	3/8-19	42	22
X1875-08-06	1/2"	12	3/8-18	1/2-14	40	27
X1875-08-08	1/2"	12	1/2-14	1/2-14	43	27
X1875-08-12	1/2"	12	3/4-14	1/2-14	45	27
X1875-12-08	3/4"	20	1/2-14	3/4-14	45	32
X1875-12-12	3/4"	20	3/4-14	3/4-14	47	32
X1875-12-16	3/4"	20	1-11.1/2	3/4-14	52	36
X1875-16-12	1"	25	3/4-14	1-11	50	41
X1875-16-16	1"	25	1-11.1/2	1-11	54.5	41
X1875-20-20	1.1/4"	32	1.1/4-11.1/2	1-1/4-11	59	50
X1875-20-24	1.1/4"	32	1.1/2-11.1/2	1-1/4-11	66	50
X1875-24-24	1.1/2"	38	1.1/2-11.1/2	1.1/2-11	64	55
X1875-32-32	2"	51	2-11.1/2	2-11	66	70

# X3900

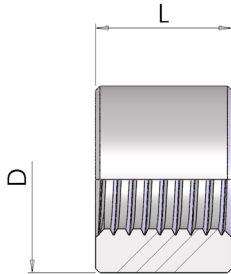
## Adjustable Elbow BSP/BSP



Part number	Ø Tube		Dimensions					
			T	B	C	Hex E	F	H
X3900-04-04	1/4"	6	1/4"-19	27	31.5	19	1/4"-19	14
X3900-06-06	3/8"	10	3/8"-19	29	37	22	3/8"-19	19
X3900-06-08	1/2"	12	3/8"-19	32	43	27	1/2"-14	22
X3900-08-06	3/8"	10	1/2"-14	34	40	22	3/8"-19	22
X3900-08-08	1/2"	12	1/2"-14"	34	43	27	1/2"-14	22
X3900-12-12	3/4"	20	3/4"-14	41	50	36	3/4"-14	27
X3900-16-16	1"	25	1"-11	46	53	41	1"-11	33

# X2200

## Threaded Sleeve



Part number	Dimensions		
	D	F	L
X2200-02	16	1/8-28	10
X2200-04	22	1/4-19	16
X2200-06	26	3/8-19	17
X2200-08	30	1/2-14	18
X2200-12	38	3/4-14	20
X2200-16	45	1-11	25
X2200-20	55	1.1/4-11	26
X2200-24	62	1.1/2-11	30
X2200-32	70	2-11	30



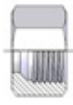


DIN  
adaptors

in



**X7400**



Nuts

107

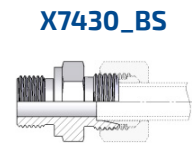


**X7410**



Cutting Rings

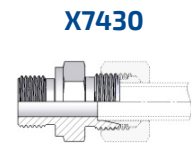
108



**X7430\_BS**

Male Stud Couplings

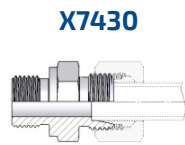
109



**X7430**

Male Stud Couplings

110



**X7430**

Male Stud Couplings

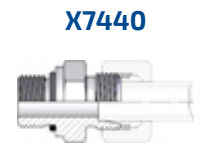
111



**X7430**

Male Stud Couplings  
rubber seal

112



**X7440**

Male Stud Couplings  
rubber seal

113



**X7440**

Male Stud Couplings  
rubber seal

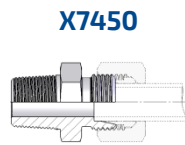
114



**X7440**

Male Stud Couplings  
rubber seal

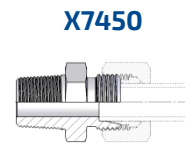
115



**X7450**

Male Stud Couplings

116



**X7450**

Male Stud Couplings

117



**X7450**

Male Stud Couplings

118



**X7460**



Stud Elbows

119



**X7460**

Stud Elbows

120



**X7460**

Stud Elbows

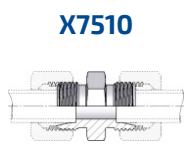
121



**X7500**

Straight couplings

122



**X7510**

Reduced Straight  
couplings

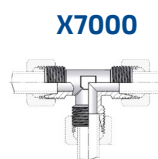
123



**X7520**

Equal Elbows

124



**X7000**

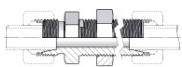
Equal Tees

125





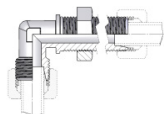
**X7020**



Straight Bulkhead Union

126

**X7130**



Bulkhead 90° Elbow Union

127



**X7360**



Straight fitting with O'Ring seal

128

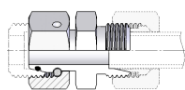
**X7360**



129



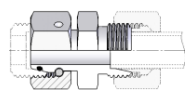
**X7370**



Standpipe/Tube Reducers 'L' Series with O'Ring Seal

130

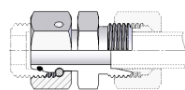
**X7370**



Standpipe/Tube Reducers 'L' Series with O'Ring Seal

131

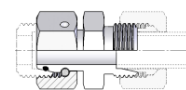
**X7370**



Standpipe/Tube Reducers 'S' Series with O'Ring Seal

132

**X7370**

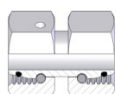


Standpipe/Tube Reducers 'S' Series with O'Ring Seal

133



**X7380**



Straight fitting with O'Ring

134



**X7330**

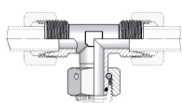


Angular rotary fitting with O'Ring Seal

135



**X7340**



Rotary fitting a Tees with O'Ring Seal

136

**X7350**



Rotary fitting a L with O'Ring Seal

137



**X7200**



Orientable Banjo elbows with seal ring

138

**X7200**

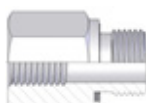


Orientable Banjo elbows with seal ring

139



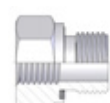
**X7240**



Riduzione Maschio-Femmina con guarnizione piana

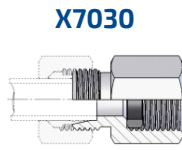
140

**X7240**



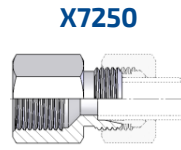
Riduzione Maschio-Femmina con guarnizione piana

141



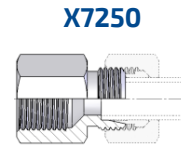
Gauge Couplings

142



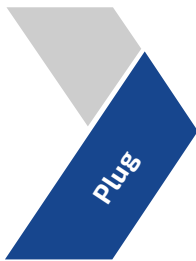
Female Stud Couplings

143



Female Stud Couplings

144



X7260



Inner hexagon plug-Packing ring

145

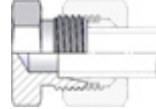
X7260



Inner hexagon plug-Packing ring

146

X7270



Pipe plug

147

X7290

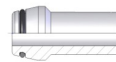


Pipe plug with O-Ring seal

148



X7280

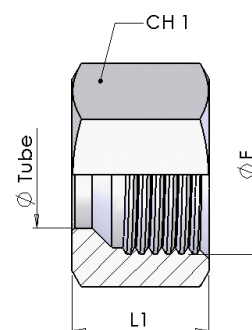


Welding Nipples with O-Ring Seal

149

# X7400

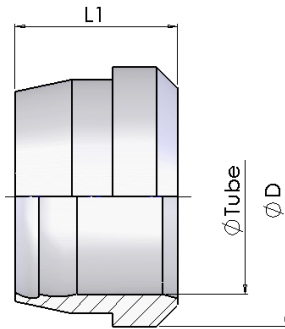
## Nuts



W.P.	Part number	Ø Tube	Dimensions		
			Thread		
bar		mm	ØF	CH1	L1
LL100	X7400-04LL	4	M 8x1	10	11
	X7400-06LL	6	M 10x1	12	11.5
	X7400-08LL	8	M 12x1	14	12
	X7400-10LL	10	M 14x1	17	12.5
	X7400-12LL	12	M 16x1	19	13
L315	X7400-06L	6	M 12x1,5	14	14.5
	X7400-08L	8	M 14x1,5	17	14.5
	X7400-10L	10	M 16x1,5	19	15.5
	X7400-12L	12	M 18x1,5	22	15.5
	X7400-15L	15	M 22x1,5	27	17
L160	X7400-18L	18	M 26x1,5	32	18
	X7400-22L	22	M 30x2	36	20
	X7400-28L	28	M 36x2	41	21
	X7400-35L	35	M 45x2	50	24
S630	X7400-42L	42	M 52x2	60	24
	X7400-06S	6	M 14x1,5	17	16.5
	X7400-08S	8	M 16x1,5	19	16.5
	X7400-10S	10	M 18x1,5	22	17.5
	X7400-12S	12	M 20x1,5	24	17.5
S400	X7400-14S	14	M 22x1,5	27	20.5
	X7400-16S	16	M 24x1,5	30	20.5
	X7400-20S	20	M 30x2	36	24
	X7400-25S	25	M 36x2	46	27
S315	X7400-30S	30	M 42x2	50	29
	X7400-38S	38	M 52x2	60	32.5

# X7410

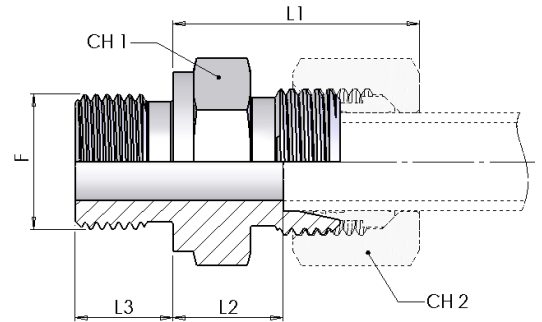
## Cutting Rings



W.P.	Part number	Ø Tube	Dimensions	
			Ø D	L1
bar		mm		
LL100	X7410-04LL	4	6	6
	X7410-06LL	6	8	7
	X7410-08LL	8	10	7
	X7410-10LL	10	12	7
	X7410-12LL	12	14	7.5
LS315	X7410-06LS	6	10	9.5
	X7410-08LS	8	12	9.5
LS630	X7410-10LS	10	14	10
	X7410-12LS	12	16	10
L315	X7410-15L	15	19	10
	X7410-18L	18	23	10
L160	X7410-22L	22	27	10.5
	X7410-28L	28	33	11
	X7410-35L	35	41	13
	X7410-42L	42	48	13
S630	X7410-14S	14	19	10
S400	X7410-16S	16	21	10.5
	X7410-20S	20	26	12
	X7410-25S	25	32	12
	X7410-30S	30	36	13
S630	X7410-38S	38	44	13

# X7430

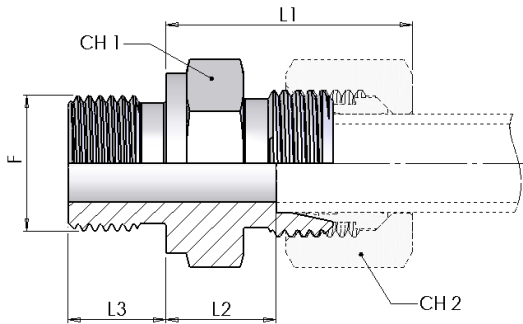
## Male Stud Couplings



W.P.	Part number	Ø Tube	Dimensions					
			Thread					
bar		mm	ØF	CH1	CH2	L1	L2	L3
L315	X7430-06LR-1	6	G 1/8	14	14	23	8.5	8
S630	X7430-06SR-1	6	G 1/4	19	17	28	13	12
	X7430-06SR08-1	6	G 1/2	27	17	33	18	14
L315	X7430-06LR04-1	6	G 1/4	19	14	24.5	10	12
S630	X7430-08SR-1	8	G 1/4	19	19	30	15	12
L315	X7430-06LR06-1	6	G 3/8	22	14	26	11.5	12
	X7430-06LR08-1	6	G 1/2	27	14	27	12	14
S630	X7430-08SR06-1	8	G 3/8	22	19	30.5	15.5	12
	X7430-10SR-1	10	G 3/8	22	22	31	15	12
L315	X7430-08LR-1	8	G 1/4	19	17	25	10	12
	X7430-08LR02-1	8	G 1/8	14	17	24.5	9.5	8
S630	X7430-10SR04-1	10	G 1/4	19	22	30.5	14.5	12
L315	X7430-08LR06-1	8	G 3/8	22	17	26.5	11.5	12
S630	X7430-10SR08-1	10	G 1/2	27	22	33.5	17.5	14
	X7430-12SR-1	12	G 3/8	22	24	33	17	12
L315	X7430-08LR08-1	8	G 1/2	27	17	27	12	14
	X7430-10LR-1	10	G 1/4	19	19	26	11	12
S630	X7430-12SR04-1	12	G 1/4	22	24	32.5	16.5	12
L315	X7430-10LR02-1	10	G 1/8	17	19	25.5	10.5	8
S630	X7430-12SR08-1	12	G 1/2	27	24	33.5	17.5	14
L315	X7430-10LR06-1	10	G 3/8	22	19	27.5	12.5	12
S630	X7430-14SR-1	14	G 1/2	27	27	37	19	14
L315	X7430-10LR08-1	10	G 1/2	27	19	28	13	14
S630	X7430-14SR06-1	14	G 3/8	24	27	36.5	18.5	12
S400	X7430-16SR-1	16	G 1/2	27	30	37	18.5	14
L315	X7430-12LR-1	12	G 3/8	22	22	27	12.5	12
	X7430-12LR04-1	12	G 1/4	19	22	26.5	12	12
S400	X7430-16SR06-1	16	G 3/8	27	30	36.5	18	12
	X7430-16SR12-1	16	G 3/4	32	30	39	20.5	16
L315	X7430-12LR08-1	12	G 1/2	27	22	27.5	13	14

# X7430

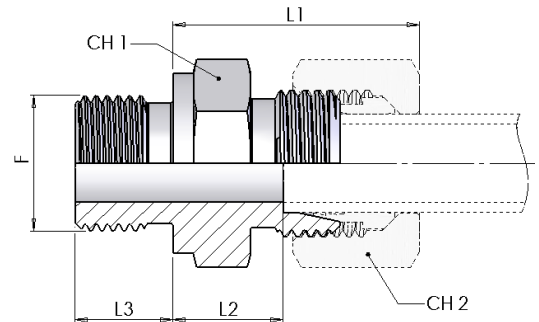
## Male Stud Couplings



W.P.	Part number	Ø Tube	Dimensions					
			Thread					
bar		mm	ØF	CH1	CH2	L1	L2	L3
L315	X7430-12LR12-1	12	G 3/4	32	22	29	14	16
S400	X7430-20SR-1	20	G 3/4	32	36	42	20.5	16
	X7430-20SR08-1	20	G 1/2	32	36	42	20.5	14
L315	X7430-15LR-1	15	G 1/2	27	27	29	14	14
S400	X7430-25SR-1	25	G 1	41	46	47	23	18
L315	X7430-15LR06-1	15	G 3/8	24	27	28.5	13.5	12
S400	X7430-25SR12-1	25	G 3/4	41	46	47	23	16
L315	X7430-15LR12-1	15	G 3/4	32	27	30	15	16
S400	X7430-30SR-1	30	G 1 1/4	50	50	50	23.5	20
L315	X7430-18LR-1	18	G 1/2	27	32	31	14.5	14
S400	X7430-30SR16-1	30	G 1	46	50	50	23.5	18
L315	X7430-18LR06-1	18	G 3/8	27	32	29	14	12
S315	X7430-38SR-1	38	G 1 1/2	55	60	57	26	22
L315	X7430-18LR12-1	18	G 3/4	32	32	31	14.5	16
L160	X7430-22LR-1	22	G 3/4	32	36	33	16.5	16
S315	X7430-38SR20-1	38	G 1 1/4	55	60	57	26	20
	X7430-22LR08-1	22	G 1/2	32	36	33	16.5	14
L160	X7430-22LR16-1	22	G 1	41	36	34	17.5	18
	X7430-28LR-1	28	G 1	41	41	34	17.5	18
	X7430-28LR12-1	28	G 3/4	41	41	34	17.5	16
	X7430-35LR-1	35	G 1 1/4	50	50	39	17.5	20
	X7430-35LR16-1	35	G 1/2	46	50	39	17.5	18
	X7430-42LR-1	42	G 1 1/2	55	60	42	19	22

# X7430

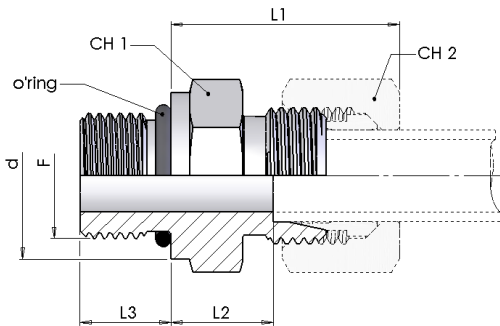
## Male Stud Couplings



W.P.	Part number	Ø Tube	Dimensions					
			Thread	CH1	CH2	L1	L2	L3
bar		mm	ØF	CH1	CH2	L1	L2	L3
L315	X7430-06LM-1	6	M 10x1	14	14	23	8.5	8
	X7430-08LM-1	8	M 12x1,5	19	17	25	10	12
	X7430-08LM18-1	8	M 18x1,5	24	17	26.5	11.5	12
	X7430-10LM-1	10	M 14x1,5	19	19	26	11	12
	X7430-10LM16-1	10	M 16x1,5	22	19	27.5	12.5	12
	X7430-10LM18-1	10	M 18x1,5	24	19	27.5	12.5	12
	X7430-10LM22-1	10	M 22x1,5	27	19	29	14	14
	X7430-12LM-1	12	M 16x1,5	22	22	27	12.5	12
	X7430-12LM14-1	12	M 14x1,5	19	22	27	12.5	12
	X7430-12LM18-1	12	M 18x1,5	24	22	27	12.5	12
	X7430-12LM22-1	12	M 22x1,5	27	22	28.5	14	14
	X7430-15LM-1	15	M 18x1,5	27	27	29	14	14
	X7430-15LM16-1	15	M 16x1,5	24	27	28	13	12
	X7430-15LM22-1	15	M 22x1,5	27	27	30	15	14
	X7430-18LM-1	18	M 22x1,5	27	32	31	14.5	14
X7430-18LM18-1	18	M 18x1,5	27	32	30.5	14	12	
L160	X7430-22LM-1	22	M 26x1,5	32	36	33	16.5	16
	X7430-22LM22-1	22	M 22x1,5	32	36	33	16.5	14
	X7430-28LM-1	28	M 33x2	41	41	34	17.5	18
	X7430-35LM-1	35	M 42x2	50	50	39	17.5	20
	X7430-42LM-1	42	M 48x2	55	60	42	19	22
S630	X7430-06SM-1	6	M 12x1,5	19	17	28	13	12
	X7430-08SM-1	8	M 14x1,5	19	19	30	15	12
	X7430-10SM-1	10	M 16x1,5	22	22	31	15	12
	X7430-12SM-1	12	M 18x1,5	24	24	33	17	12
	X7430-12SM22-1	12	M 22x1,5	27	24	33.5	17.5	14
	X7430-14SM-1	14	M 20x1,5	27	27	37	19	14
S400	X7430-16SM-1	16	M 22x1,5	27	30	37	18.5	14
	X7430-16SM18-1	16	M 18x1,5	27	30	36.5	18	12
	X7430-20SM-1	20	M 27x2	32	36	42	20.5	16
	X7430-25SM-1	25	M 33x2	41	46	47	23	18
S315	X7430-30SM-1	30	M 42x2	50	50	50	23.5	20
	X7430-38SM-1	38	M 48x2	55	60	57	26	22

# X7430

## Male Stud Couplings rubber seal

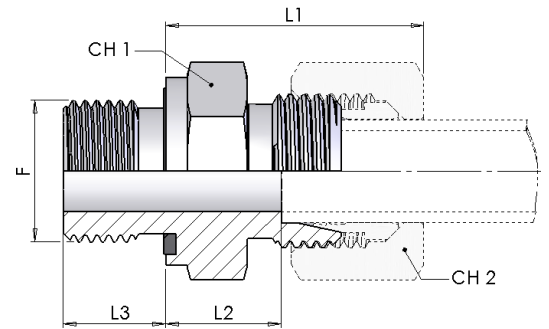


W.P.	Part number	Ø Tube	Dimensions							O-Ring
			Thread	CH1	CH2	Ø D	L1	L2	L3	
bar		mm	ØF							
L315	X7430-08LU04-1	8	7/16-20 UNF	14	17	13.8	25	10	9	8,92x1,83
	X7430-10LU04-1	10	7/16-20 UNF	17	19	13.8	26	11	9	8,92x1,83
	X7430-12LU06-1	12	9/16-18 UNF	19	22	16.8	25.5	11	10	11,9x1,98
	X7430-12LU08-1	12	3/4-16 UNF	22	22	21.8	27.5	13	11	16,36x2,20
	X7430-12LU10-1	12	7/8-14 UNF	27	22	26.8	29	14.5	12.5	19,18x2,46
	X7430-15LU08-1	15	3/4-16 UNF	24	27	21.8	29	14	11	16,36x2,2
	X7430-15LU10-1	15	7/8-14 UNF	24	27	22.3	29	14	11	16,36x2,2
	X7430-18LU08-1	18	3/4-16 UNF	27	32	21.8	31	14.5	11	16,36x2,2
	X7430-18LU10-1	18	7/8-14 UNF	27	32	26.8	31.5	15	12.5	19,18x2,46
L160	X7430-22LU10-1	22	7/8-14 UNF	32	36	26.8	33.5	17	12.5	19,18x2,46
	X7430-22LU12-1	22	1 1/16-12 UN	32	36	31.8	33	16.5	15	23,47x2,95
	X7430-22LU16-1	22	1 5/16-12 UN	41	36	40.8	34	17.5	15	29,74x2,95
	X7430-28LU12-1	28	1 1/16-12 UN	41	41	31.8	34	17.5	15	23,47x2,95
	X7430-28LU16-1	28	1 5/16-12 UN	41	41	40.8	34	17.5	15	29,74x2,95
	X7430-35LU16-1	35	1 5/16-12 UN	46	50	40.8	39	17.5	15	29,74x2,95
	X7430-35LU20-1	35	1 5/8-12 UN	50	50	49.8	39	17.5	15	37,46x3
S630	X7430-42LU20-1	42	1 5/8-12 UN	55	60	49.8	42	19	15	37,46x3
	X7430-08SU04-1	8	7/16-20 UNF	17	19	13.8	30	15	9	8,92x1,83
	X7430-10SU06-1	10	9/16-18 UNF	19	22	16.8	30.5	14.5	10	11,9x1,98
	X7430-12SU06-1	12	9/16-18 UNF	22	24	16.8	30.5	14.5	10	11,9x1,98
S400	X7430-12SU08-1	12	3/4-16 UNF	22	24	21.8	33.5	17.5	11	16,36x2,20
	X7430-16SU08-1	16	3/4-16 UNF	27	30	21.8	34	15.5	11	16,36x2,20
	X7430-16SU10-1	16	7/8-14 UNF	27	30	26.8	37.5	19	12.5	19,18x2,46
	X7430-20SU08-1	20	3/4-16 UNF	32	36	21.8	42	20.5	11	16,36x2,20
	X7430-20SU10-1	20	7/8-14 UNF	32	36	26.8	42.5	21	12.5	19,18x2,46
	X7430-20SU12-1	20	1 1/16-12 UN	32	36	31.8	42	20.5	15	23,47x2,95
	X7430-25SU12-1	25	1 1/16-12 UN	36	46	31.8	47	23	15	23,47x2,95
	X7430-25SU16-1	25	1 5/16-12 UN	41	46	40.8	47	23	15	29,74x2,95
	X7430-30SU16-1	30	1 5/16-12 UN	46	50	40.8	50	23.5	15	29,74x2,95
S315	X7430-30SU20-1	30	1 5/8-12 UN	50	20	49.8	50	23.5	15	37,46x3
	X7430-38SU20-1	38	1 5/8-12 UN	55	60	49.8	57	26	15	37,46x3



# X7440

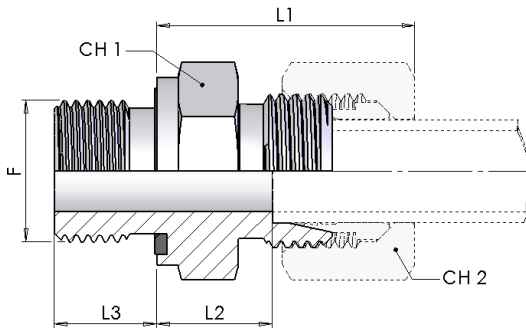
## Male Stud Couplings rubber seal



W.P.	Part number	Ø Tube	Dimensions					
			Thread					
bar		mm	ØF	CH1	CH2	L1	L2	L3
L315	X7440-06LR-1	6	G 1/8	14	14	23	8.5	8
	X7440-06LR04-1	6	G 1/4	19	14	24.5	10	12
	X7440-06LR06-1	6	G 3/8	22	14	26	11.5	12
	X7440-08LR-1	8	G 1/4	19	17	25	10	12
	X7440-08LR02-1	8	G 1/8	14	17	24.5	9.5	8
	X7440-08LR06-1	8	G 3/8	22	17	26.5	11.5	12
	X7440-08LR08-1	8	G 1/2	27	17	27	12	14
	X7440-10LR-1	10	G 1/4	19	19	26	11	12
	X7440-10LR02-1	10	G 1/8	17	19	25.5	110.5	8
	X7440-10LR06-1	10	G 3/8	22	19	27.5	12.5	12
	X7440-10LR08-1	10	G 1/2	27	19	28	13	14
	X7440-12LR-1	12	G 3/8	22	22	27	12.5	12
	X7440-12LR04-1	12	G 1/4	19	22	26.5	12	12
	X7440-12LR08-1	12	G 1/2	27	22	27.5	13	14
	X7440-15LR-1	15	G 1/2	27	27	29	14	14
	X7440-15LR06-1	15	G 3/8	24	27	28.5	13.5	12
	X7440-15LR12-1	15	G 3/4	32	27	30	15	16
	X7440-18LR-1	18	G 1/2	27	32	31	14.5	14
X7440-18LR12-1	18	G 3/4	32	32	31	14.5	16	
L160	X7440-22LR-1	22	G 3/4	32	36	33	16.5	16
	X7440-22LR08-1	22	G 1/2	32	36	33	16.5	14
	X7440-22LR16-1	22	G 1	41	36	34	17.5	18
	X7440-28LR-1	28	G 1	41	41	34	17.5	18
	X7440-28LR12-1	28	G 3/4	41	41	34	17.5	16
	X7440-35LR-1	35	G 1 1/4	50	50	39	17.5	20
	X7440-35LR16-1	35	G 1	46	50	39	17.5	18
X7440-42LR-1	42	G 1 1/2	55	60	42	19	22	
S630	X7440-06SR-1	6	G 1/4	19	17	28	13	12
	X7440-08SR-1	8	G 1/4	19	19	30	15	12
	X7440-08SR06-1	8	G 3/8	22	19	30.5	15.5	12

# X7440

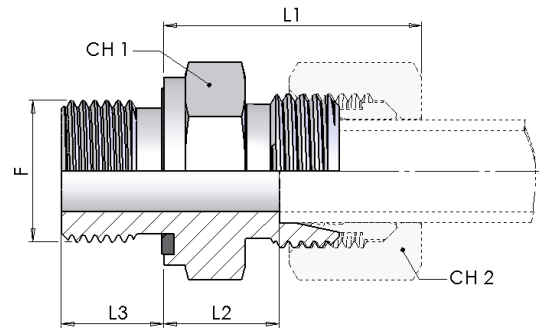
## Male Stud Couplings rubber seal



W.P.	Part number	Ø Tube	Dimensions					
			Thread	CH1	CH2	L1	L2	L3
bar		mm	ØF					
S630	X7440-10SR-1	10	G 3/8	22	22	31	15	12
	X7440-10SR04-1	10	G 1/4	19	22	30.5	14.5	12
	X7440-10SR08-1	10	G 1/2	27	22	33.5	17.5	14
	X7440-12SR-1	12	G 3/8	22	24	33	17	12
	X7440-12SR04-1	12	G 1/4	22	24	32.5	16.5	12
	X7440-12SR08-1	12	G 1/2	27	24	33.5	17.5	14
	X7440-14SR-1	14	G 1/2	27	27	37	19	14
	X7440-14SR06-1	14	G 3/8	24	27	36.5	18.5	12
S400	X7440-16SR-1	16	G 1/2	27	30	37	18.5	14
	X7440-16SR06-1	16	G 3/8	27	30	36.5	18	12
	X7440-16SR12-1	16	G 3/4	32	30	39	20.5	16
	X7440-20SR-1	20	G 3/4	32	36	42	20.5	16
	X7440-20SR08-1	20	G 1/2	32	36	42	20.5	14
	X7440-25SR-1	25	G 1	41	46	44	22.5	18
	X7440-25SR12-1	25	G 3/4	41	46	47	23	16
	X7440-30SR-1	30	G 1 1/4	50	50	50	23.5	20
S315	X7440-30SR16-1	30	G 1	46	520	502	15.5	18
	X7440-38SR-1	38	G 1 1/2	55	60	57	26	22
	X7440-38SR20-1	38	G 1 1/4	55	60	57	26	20

# X7440

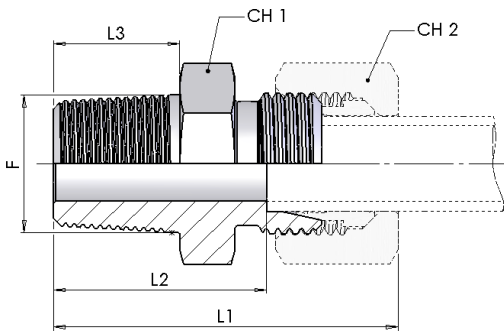
## Male Stud Couplings rubber seal



W.P.	Part number	Ø Tube	Dimensions					
			Thread					
bar		mm	ØF	CH1	CH2	L1	L2	L3
L315	X7440-06LM-1	6	M 10x1	14	14	23	8.5	8
	X7440-08LM-1	8	M 12x1,5	17	17	25	10	12
	X7440-10LM-1	10	M 14x1,5	19	19	26	11	12
	X7440-10LM16-1	10	M 16x1,5	22	19	27.5	12.5	12
	X7440-10LM18-1	10	M 18x1,5	24	19	27.5	12.5	12
	X7440-10LM22-1	10	M 22x1,5	27	19	29	14	14
	X7440-12LM-1	12	M 16x1,5	22	22	27	12.5	12
	X7440-12LM14-1	12	M 14x1,5	19	22	27	12.5	12
	X7440-12LM18-1	12	M 18x1,5	24	22	27	12.5	12
	X7440-12LM22-1	12	M 22x1,5	27	22	28.5	14	14
	X7440-15LM-1	15	M 18x1,5	24	27	2	13.5	12
	X7440-15LM16-1	15	M 16x1,5	24	27	28	13	12
	X7440-15LM22-1	15	M 22x1,5	27	27	30	15	14
	X7440-18LM-1	18	M 22x1,5	27	32	31	14.5	14
X7440-18LM18-1	18	M 18x1,5	27	32	30.5	14	12	
L160	X7440-22LM-1	22	M 26x1,5	32	36	33	16.5	16
	X7440-22LM22-1	22	M 22x1,5	32	36	33	16.5	14
	X7440-28LM-1	28	M 33x2	41	41	34	17.5	18
	X7440-35LM-1	35	M 42x2	50	50	39	17.5	20
	X7440-42LM-1	42	M 48x2	55	60	42	19	22
S630	X7440-06SM-1	6	M 12x1,5	17	17	28	13	12
	X7440-08SM-1	8	M 14x1,5	19	19	30	15	12
	X7440-10SM-1	10	M 16x1,5	22	22	31	15	12
	X7440-12SM-1	12	M 18x1,5	24	24	33	17	12
	X7440-12SM22-1	12	M 22x1,5	27	24	33.5	17.5	14
	X7440-14SM-1	14	M 20x1,5	27	27	37	19	14
S400	X7440-16SM-1	16	M 22x1,5	27	30	37	18.5	14
	X7440-16SM18-1	16	M 18x1,5	27	30	36.5	18	12
	X7440-20SM-1	20	M 27x2	32	36	42	20.5	16
	X7440-25SM-1	25	M 33x2	41	46	47	23	18
	X7440-30SM-1	30	M 42x2	50	50	50	23.5	20
S315	X7440-38SM-1	38	M 48x2	55	60	57	26	22

# X7450

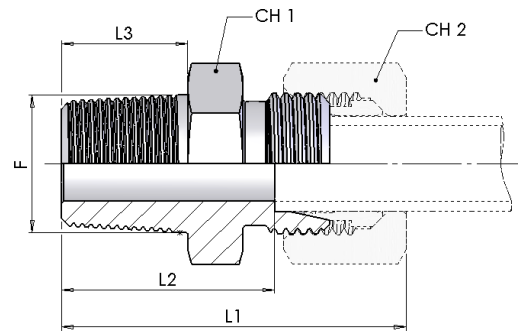
## Male Stud Couplings



W.P.	Part number	Ø Tube	Dimensions					
			Thread					
bar		mm	ØF	CH1	CH2	L1	L2	L3
LL100	X7450-04LLR-1	4	R 1/8 K	12	10	26.5	16	8
	X7450-06LLR-1	6	R 1/8 K	12	12	26.5	14.5	8
	X7450-08LLR-1	8	R 1/8 K	12	14	28.5	16.5	8
	X7450-08LLR04-1	8	R 1/4 K	14	14	32	20.5	12
	X7450-10LLR-1	10	R 1/4 K	14	17	32	20.5	12
	X7450-12LLR-1	12	R 1/4 K	17	19	32	20	12
	X7450-12LLR06-1	12	R 3/8 K	17	19	32	20	12
L315	X7450-06LR-1	6	R 1/8 K	12	14	30	15	8
	X7450-06LR04-1	6	R 1/4 K	14	14	34.5	20	12
	X7450-08LR-1	8	R 1/4 K	17	17	35	20	12
	X7450-10LR-1	10	R 1/4 K	17	19	36	21	12
	X7450-12LR-1	12	R 3/8 K	19	22	36.5	22	12
	X7450-12LR04-1	12	R 1/4 K	19	22	36.5	22	12
	X7450-12LR08-1	12	R 1/2 K	22	22	38.5	24	14
	X7450-15LR-1	15	R 1/2 K	24	27	40	25	14
	X7450-15LR06-1	15	R 3/8 K	24	27	38	23	12
L160	X7450-18LR-1	18	R 1/2 K	27	32	42	25.5	14
	X7450-22LR-1	22	R 3/4 K	32	36	46	29.5	16
	X7450-28LR-1	28	R 1 K	41	41	49	32.5	18
	X7450-35LR-1	35	R 1 1/4 K	46	50	56	34.5	20
	X7450-42LR-1	42	R 1 1/2 K	55	60	61	38	22
S630	X7450-06SR-1	6	R 1/4 K	17	17	38	23	12
	X7450-08SR-1	8	R 1/4 K	17	19	40	25	12
	X7450-10SR-1	10	R 3/8 K	19	22	40.5	24.5	12
	X7450-12SR-1	12	R 3/8 K	22	24	42.5	26.5	12
	X7450-14SR-1	14	R 1/2 K	24	27	48	30	14
S400	X7450-16SR-1	16	R 1/2 K	27	30	48	29.5	14
	X7450-20SR-1	20	R 3/4 K	32	36	55	33.5	16
	X7450-25SR-1	25	R 1 K	41	46	62	38	18
S315	X7450-30SR-1	30	R 1 1/4 K	46	50	67	40.5	20
	X7450-38SR-1	38	R 1 1/2 K	55	60	76	45	22

# X7450

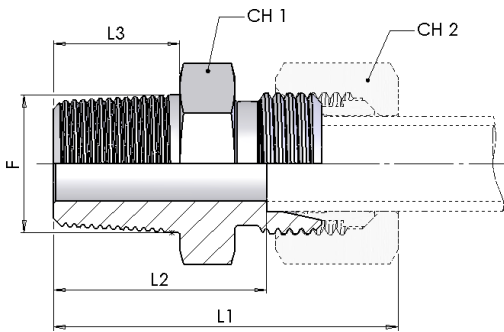
## Male Stud Couplings



W.P.	Part number	Ø Tube	Dimensions				
			CH1	CH2	L1	L2	L3
bar		mm					
LL100	X7450-04LLM-1	4	12	10	26.5	16	8
	X7450-06LLM-1	6	12	12	26.5	14.5	8
	X7450-08LLM-1	8	12	14	28.5	16.5	8

# X7450

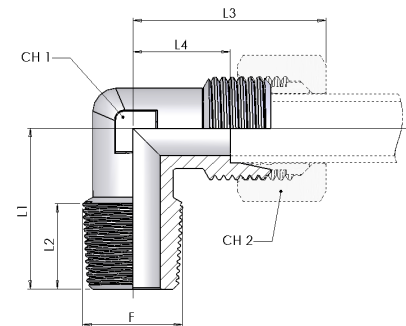
## Male Stud Couplings



W.P.	Part number	$\varnothing$ Tube	Dimensions					
			Thread	CH1	CH2	L1	L2	L3
bar		mm	$\varnothing$ F					
LL100	X7450-04LLN-1	4	1/8 NPT	12	10	28	18	10
	X7450-06LLN-1	6	1/8 NPT	12	12	28	16.5	10
	X7450-08LLN-1	8	1/8 NPT	12	14	30	18.5	10
L315	X7450-06LN-1	6	1/8 NPT	12	14	31.5	17	10
	X7450-08LN-1	8	1/4 NPT	17	17	38	23	15
	X7450-10LN-1	10	1/4 NPT	17	19	39	24	15
	X7450-10LN06-1	10	3/8 NPT	19	19	40	25	15
	X7450-12LN-1	12	3/8 NPT	19	22	39.5	25	15
	X7450-12LN04-1	12	1/4 NPT	19	22	39.5	25	15
	X7450-12LN08-1	12	1/2 NPT	22	22	44.5	30	19.5
	X7450-15LN-1	15	1/2 NPT	24	27	46	31	19.5
L160	X7450-18LN-1	18	1/2 NPT	27	32	48	31.5	19.5
	X7450-22LN-1	22	3/4 NPT	32	36	50	33.5	20
	X7450-28LN-1	28	1 NPT	41	41	56	39.5	25
	X7450-35LN-1	35	1 1/4 NPT	46	50	62	40.5	25.5
L315	X7450-42LN-1	42	1 1/2 NPT	55	60	65	42	26
	X7450-6LN04-1	6	1/4 NPT	14	14	37.5	23	15
S630	X7450-06SN-1	6	1/4 NPT	17	17	41	26	15
	X7450-08SN-1	8	1/4 NPT	17	19	43	28	15
	X7450-10SN-1	10	3/8 NPT	19	22	43.5	27.5	15
	X7450-10SN04-1	10	1/4 NPT	19	22	44	25.5	13
	X7450-12SN-1	12	3/8 NPT	22	24	45.5	29.5	15
	X7450-12SN04-1	12	1/4 NPT	22	24	46	27.5	13
	X7450-12SN08-1	12	1/2 NPT	22	24	50.5	34.5	19.5
S400	X7450-14SN-1	14	1/2 NPT	24	27	54	36	19.5
	X7450-16SN-1	16	1/2 NPT	27	30	54	35.5	19.5
	X7450-20SN-1	20	3/4 NPT	32	36	59	37.5	20
	X7450-25SN-1	25	1 NPT	41	46	69	45	25
S315	X7450-30SN-1	30	1 1/4 NPT	46	50	73	46.5	25.5
S315	X7450-38SN-1	38	1 1/2 NPT	55	60	80	49	26

# X7460

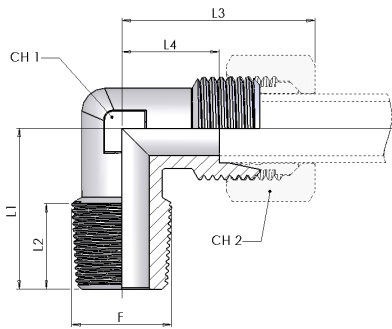
## Stud Elbows



W.P.	Part number	Ø Tube	Dimensions						
			Thread	CH1	CH2	L1	L2	L3	L4
bar		mm	ØF	CH1	CH2	L1	L2	L3	L4
LL100	X7460-04LLR-1	4	R 1/8 K	9	10	17	8	21	11
	X7460-06LLR-1	6	R 1/8 K	9	12	17	8	21	9.5
	X7460-08LLR-1	8	R 1/8 K	12	14	20	8	23	11.5
	X7460-10LLR-1	10	R 1/4 K	14	17	25	12	27	15
	X7460-12LLR-1	12	R 1/4 K	17	19	23	12	25	13
L315	X7460-06LR-1	6	R 1/8 K	12	14	20	8	27	12
	X7460-08LR-1	8	R 1/4 K	12	17	26	12	29	14
	X7460-08LR06-1	8	R 3/8 K	17	17	28	12	31	16
	X7460-10LR-1	10	R 1/4 K	14	19	27	12	30	15
	X7460-10LR06-1	10	R 3/8 K	17	19	28	12	32	17
	X7460-12LR-1	12	R 3/8 K	17	22	28	12	32	17
	X7460-12LR04-1	12	R 1/4 K	17	22	28	12	32	17
	X7460-12LR08-1	12	R 1/2 K	19	22	34	14	34	20
	X7460-15LR-1	15	R 1/2 K	19	27	34	14	36	21
L160	X7460-18LR-1	18	R 1/2 K	24	32	36	14	40	23.5
	X7460-22LR-1	22	R 3/4 K	27	36	42	16	44	27.5
	X7460-28LR-1	28	R 1 K	36	41	48	18	47	30.5
	X7460-35LR-1	35	R 1 1/4 K	41	50	54	20	56	34.5
	X7460-42LR-1	42	R 1 1/2 K	50	60	61	22	63	40
S630	X7460-06SR-1	6	R 1/4 K	12	17	26	12	31	16
	X7460-08SR-1	8	R 1/4 K	14	19	27	12	32	17
	X7460-10SR-1	10	R 3/8 K	17	22	28	12	34	17.5
	X7460-12SR-1	12	R 3/8 K	17	24	28	12	38	21.5
	X7460-14SR-1	14	R 1/2 K	19	27	32	14	40	22
S400	X7460-16SR-1	16	R 1/2 K	24	30	32	14	43	24.5
	X7460-20SR-1	20	R 3/4 K	27	36	42	16	48	26.5
	X7460-25SR-1	25	R 1 K	36	46	48	18	54	30
	X7460-30SR-1	30	R 1 1/4 K	41	50	54	20	62	35.5
S315	X7460-38SR-1	38	R 1 1/2 K	50	60	61	22	72	41

# X7460

## Stud Elbows

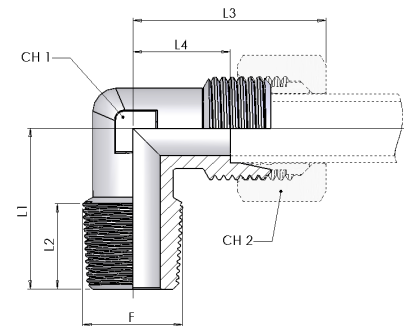


W.P.	Part number	Ø Tube	Dimensions						
			Thread						
bar		mm	ØF	CH1	CH2	L1	L2	L3	L4
LL100	X7460-04LLM-1	4	M 8x1 K	9	10	17	8	21	11
	X7460-06LLM-1	6	M 10x1 K	9	12	17	8	21	9.5
	X7460-08LLM-1	8	M 10x1 K	12	14	20	8	23	11.5
L315	X7460-06LM-1	6	M 10x1 K	12	14	20	8	27	12
	X7460-08LM-1	8	M 12x1,5 K	12	17	26	12	29	14
	X7460-10LM-1	10	M 14x1,5 K	14	19	27	12	30	15
	X7460-12LM-1	12	M 16x1,5 K	17	22	28	12	32	17
	X7460-15LM-1	15	M 18x1,5 K	19	27	32	12	36	21
S630	X7460-18LM-1	18	M 22x1,5 K	24	32	36	14	40	23.5
	X7460-06SM-1	6	M 12x1,5 K	12	17	26	12	31	16
	X7460-08SM-1	8	M 14x1,5 K	14	19	27	12	32	17
	X7460-10SM-1	10	M 16x1,5 K	17	22	28	12	34	17.5
	X7460-12SM-1	12	M 18x1,5 K	17	24	28	12	38	21.5
S400	X7460-14SM-1	14	M 20x1,5 K	19	27	32	14	40	22
	X7460-16SM-1	16	M 22x1,5 K	24	30	32	14	43	24.5



# X7460

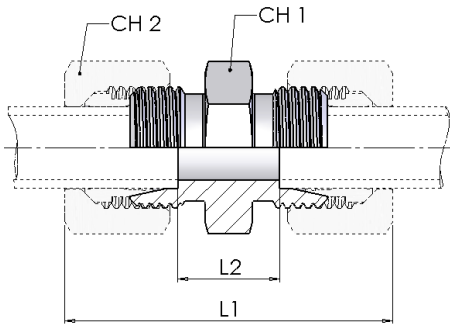
## Stud Elbows



W.P.	Part number	Ø Tube	Dimensions						
			Thread	CH1	CH2	L1	L2	L3	L4
bar		mm	ØF	CH1	CH2	L1	L2	L3	L4
LL100	X7460-04LLN-1	4	1/8 NPT	9	10	17	8	21	11
	X7460-06LLN-1	6	1/8 NPT	9	12	17	8	21	9.5
	X7460-08LLN-1	8	1/8 NPT	12	14	20	8	23	11.5
L315	X7460-06LN-1	6	1/8 NPT	12	14	20	10	27	12
	X7460-08LN-1	8	1/4 NPT	12	17	26	15	29	14
	X7460-10LN-1	10	1/4 NPT	14	19	27	15	30	15
	X7460-12LN-1	12	3/8 NPT	17	22	28	15	32	17
	X7460-12LN04-1	12	1/4 NPT	17	22	28	15	32	17
	X7460-12LN08-1	12	1/2 NPT	19	22	34	19.5	35	20
	X7460-15LN-1	15	1/2 NPT	19	27	34	19.5	36	21
L160	X7460-18LN-1	18	1/2 NPT	24	32	36	19.5	40	23.5
	X7460-22LN-1	22	3/4 NPT	27	36	42	20	44	27.5
L315	X7460-28LN-1	28	1 NPT	36	41	48	25	47	30.5
	X7460-12LR08-1	12	R 1/2 K	19	22	34	14	34	20
L160	X7460-35LN-1	35	1 1/4 NPT	41	50	57	25.5	56	34.5
	X7460-42LN-1	42	1 1/2 NPT	50	60	61	26	63	40
S630	X7460-06SN-1	6	1/4 NPT	12	17	26	15	31	16
	X7460-08SN-1	8	1/4 NPT	14	19	27	15	32	17
	X7460-10SN-1	10	3/8 NPT	17	22	28	15	34	17.5
	X7460-12SN-1	12	3/8 NPT	17	24	28	15	38	21.5
	X7460-14SN-1	14	1/2 NPT	19	27	34	19.5	40	22
S400	X7460-16SN-1	16	1/2 NPT	24	30	36	19.5	43	24.5
	X7460-20SN-1	20	3/4 NPT	27	36	42	20	48	26.5
	X7460-25SN-1	25	1 NPT	36	46	48	25	54	30
	X7460-30SN-1	30	1 1/4 NPT	41	50	54	25.5	62	35.5
S315	X7460-38SN-1	38	1 1/2 NPT	50	60	61	26	72	41

# X7500

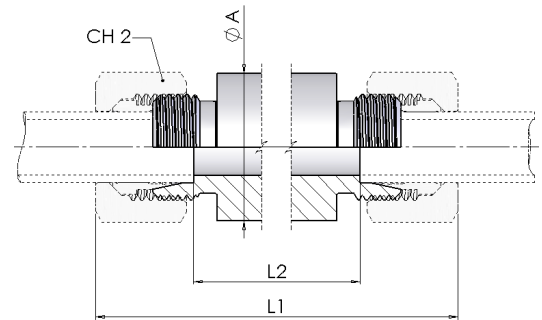
## Straight couplings



W.P.	Part number	Ø Tube	Dimensions			
			CH1	CH2	L1	L2
bar		mm				
LL100	X7500-04LL-1	4	12	10	31	12
	X7500-06LL-1	6	12	12	32	9
	X7500-08LL-1	8	12	14	35	12
	X7500-10LL-1	10	14	17	35	12
	X7500-12LL-1	12	17	19	35	11
L315	X7500-06L-1	6	12	14	39	10
	X7500-08L-1	8	14	17	40	11
	X7500-10L-1	10	17	19	42	13
	X7500-12L-1	12	19	22	43	14
	X7500-15L-1	15	24	27	46	16
L160	X7500-18L-1	18	27	32	48	16
	X7500-22L-1	22	32	36	52	20
	X7500-28L-1	28	41	41	54	21
	X7500-35L-1	35	46	50	63	20
S630	X7500-42L-1	42	55	60	66	21
	X7500-06S-1	6	14	17	45	16
	X7500-08S-1	8	17	19	47	18
	X7500-10S-1	10	19	22	49	17
	X7500-12S-1	12	22	24	51	19
S400	X7500-14S-1	14	24	27	57	22
	X7500-16S-1	16	27	30	57	21
	X7500-20S-1	20	32	36	66	23
	X7500-25S-1	25	41	46	74	26
S315	X7500-30S-1	30	46	50	80	27
	X7500-38S-1	38	55	60	90	29

# X7510

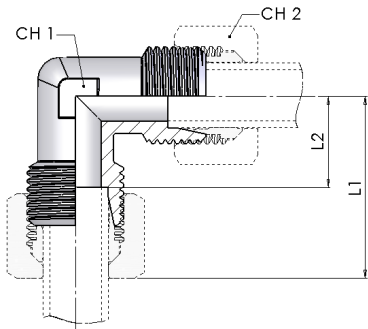
## Reduced Straight couplings



W.P.	Part number	Ø Tube		Dimensions				
				CH1	CH2	CH3	L1	L2
<b>bar</b>		<b>mm</b>	<b>d1</b>					
LL100	X7510-06/04LL-1	4	6	12	12	10	32	10.5
	X7510-08/04LL-1	4	8	12	14	10	34	12.5
	X7510-08/06LL-1	6	8	12	14	12	34	11
L315	X7510-08/06L-1	6	8	14	17	14	40.5	11
	X7510-10/06L-1	6	10	17	19	14	41.5	12
	X7510-10/08L-1	8	10	17	19	17	42	12
	X7510-12/06L-1	6	12	19	22	14	42	13
	X7510-12/08L-1	8	12	19	22	17	42.5	13
	X7510-12/10L-1	10	12	19	22	19	43.5	14
	X7510-15/10L-1	10	15	24	27	19	45	15
	X7510-15/12L-1	12	15	24	27	22	44.5	15
	X7510-18/10L-1	10	18	27	32	19	47	15.5
	X7510-18/12L-1	12	18	27	32	22	46.5	15.5
L160	X7510-18/15L-1	15	18	27	32	27	48	16.5
	X7510-22/12L-1	12	22	32	36	22	48.5	17.5
	X7510-22/15L-1	15	22	32	36	27	50	18.5
	X7510-22/18L-1	18	22	32	36	32	51	18
	X7510-28/18L-1	18	28	41	41	32	52	19
	X7510-28/22L-1	22	28	41	41	36	54	21
	X7510-35/22L-1	22	35	46	50	36	59	21
S630	X7510-35/28L-1	28	35	46	50	41	59	21
	X7510-08/06S-1	6	8	17	19	17	48	18
	X7510-10/06S-1	6	10	19	22	17	48.5	17.5
	X7510-10/08S-1	8	10	19	22	19	48.5	17.5
	X7510-12/06S-1	6	12	22	24	17	50.5	19.5
	X7510-12/08S-1	8	12	22	24	19	50.5	19.5
	X7510-12/10S-1	10	12	22	24	22	51	19
	X7510-14/10S-1	10	14	24	27	22	54.5	20.5
S400	X7510-14/12S-1	12	14	24	27	24	54.5	20.5
	X7510-16/12S-1	12	16	27	30	24	54.5	20
	X7510-16/14S-1	14	16	27	30	27	58	21.5
	X7510-20/10S-1	10	20	32	36	22	59.5	22
	X7510-20/12S-1	12	20	32	36	24	59.5	22
	X7510-20/16S-1	16	20	32	36	30	63	23
	X7510-25/16S-1	16	25	41	46	30	68	25.5
	X7510-25/20S-1	20	25	41	46	36	71	25.5
S315	X7510-30/20S-1	20	30	46	50	36	74	26
	X7510-30/25S-1	25	30	46	50	46	77	26.5
S315	X7510-38/30S-1	30	38	55	60	50	87	29.5

# X7520

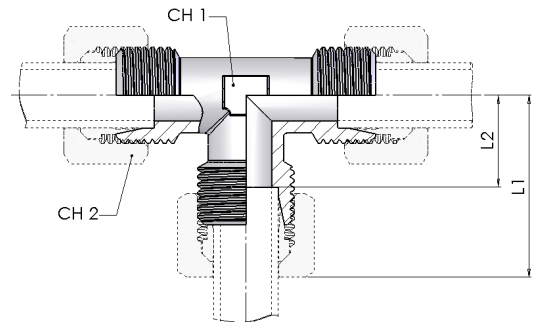
## Equal Elbows



W.P.	Part number	Ø Tube	Dimensions			
			CH1	CH2	L1	L2
bar		mm				
LL100	X7520-04LL-1	4	10	9	21	11
	X7520-06LL-1	6	12	9	21	9.5
	X7520-08LL-1	8	9	10	21	11
	X7520-10LL-1	10	9	12	21	9.5
	X7520-12LL-1	12	12	14	23	11.5
L315	X7520-06L-1	6	12	14	27	12
	X7520-08L-1	8	12	17	29	14
	X7520-10L-1	10	14	19	30	15
	X7520-12L-1	12	17	22	32	17
	X7520-15L-1	15	19	27	36	21
	X7520-18L-1	18	24	32	40	23.5
L160	X7520-22L-1	22	27	36	44	27.5
	X7520-28L-1	28	36	41	47	30.5
	X7520-35L-1	35	41	50	56	34.5
	X7520-42L-1	42	50	60	63	40
S630	X7520-06S-1	6	12	17	31	16
	X7520-08S-1	8	14	19	32	17
	X7520-10S-1	10	17	22	34	17.5
	X7520-12S-1	12	17	24	38	21.5
	X7520-14S-1	14	19	27	40	22
S400	X7520-16S-1	16	24	30	43	24.5
	X7520-20S-1	20	27	36	48	26.5
	X7520-25S-1	25	36	46	54	30
	X7520-30S-1	30	41	50	62	35.5
S315	X7520-38S-1	38	50	60	72	41

# X7000

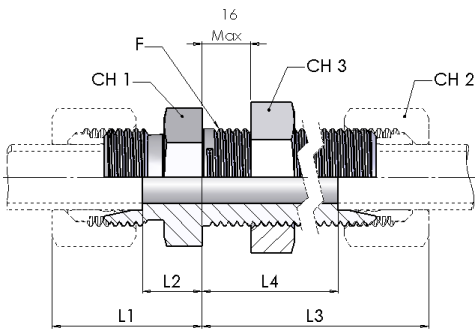
## Equal Tees



W.P.	Part number	Ø Tube	Dimensions			
			CH1	CH2	L1	L2
bar		mm				
LL100	X7000-04LL-1	4	9	10	21	11
	X7000-06LL-1	6	9	12	21	9.5
	X7000-08LL-1	8	12	14	23	11.5
	X7000-10LL-1	10	14	17	27	15
	X7000-12LL-1	12	17	19	25	13
L315	X7000-06L-1	6	12	14	27	12
	X7000-08L-1	8	12	17	29	14
	X7000-10L-1	10	14	19	30	15
	X7000-12L-1	12	17	22	32	17
	X7000-15L-1	15	19	27	36	21
L160	X7000-18L-1	18	24	32	40	23.5
	X7000-22L-1	22	27	36	44	27.5
	X7000-28L-1	28	36	41	47	30.5
	X7000-35L-1	35	41	50	56	34.5
S630	X7000-42L-1	42	50	60	63	40
	X7000-06S-1	6	12	17	31	16
	X7000-08S-1	8	14	19	32	17
	X7000-10S-1	10	17	22	34	17.5
S400	X7000-12S-1	12	17	24	38	21.5
	X7000-14S-1	14	19	27	40	22
	X7000-16S-1	16	24.5	24	16	43
	X7000-20S-1	20	26.5	27	20	48
S315	X7000-25S-1	25	30	36	25	54
	X7000-30S-1	30	35.5	41	30	62
	X7000-38S-1	38	41	50	38	72

# X7020

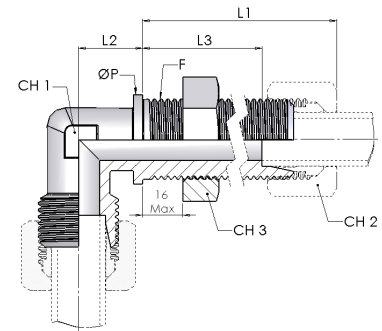
## Straight Bulkhead Union



W.P.	Part number	Ø Tube	Dimensions							
			Thread							
bar		mm	ØF	CH1	CH2	CH3	L1	L2	L3	L4
L315	X7020-06L-1	6	M 12x1,5	17	14	17	22	7	42	27
	X7020-08L-1	8	M 14x1,5	19	17	19	23	8	42	27
	X7020-10L-1	10	M 16x1,5	22	19	22	25	10	43	28
	X7020-12L-1	12	M 18x1,5	24	22	24	25	10	44	29
	X7020-15L-1	15	M 22x1,5	27	27	30	27	12	46	31
	X7020-18L-1	18	M 26x1,5	32	32	36	30	13.5	49	32.5
L160	X7020-22L-1	22	M 30x2	36	36	41	33	16.5	51	34.5
	X7020-28L-1	28	M 36x2	41	41	46	35	18.5	52	35.5
	X7020-35L-1	35	M 45x2	50	50	55	40	18.5	58	36.5
	X7020-42L-1	42	M 52x2	60	60	65	42	19	59	36
S630	X7020-06S-1	6	M 14x1,5	19	17	19	27	12	44	29
	X7020-08S-1	8	M 16x1,5	22	19	22	28	13	44	29
	X7020-10S-1	10	M 18x1,5	24	22	24	31	14.5	46	29.5
	X7020-12S-1	12	M 20x1,5	27	24	27	31	14.5	47	30.5
	X7020-14S-1	14	M 22x1,5	30	27	30	35	17	50	32
S400	X7020-16S-1	16	M 24x1,5	32	30	32	35	16.5	50	31.5
	X7020-20S-1	20	M 30x2	41	36	41	39	17.5	55	33.5
	X7020-25S-1	25	M 36x2	46	46	46	44	20	59	35
	X7020-30S-1	30	M 42x2	50	50	50	48	21.5	64	37.5
S315	X7020-38S-1	38	M 52x2	65	60	65	53	22	68	30

# X7130

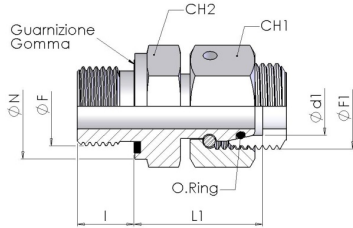
## Bulkhead 90° Elbow Union



W.P.	Part number	Ø Tube	Dimensions							
			Thread							
bar		mm	ØF	CH1	CH2	CH3	L1	L2	L3	P
L315	X7130-06L-1	6	M 12x1,5	12	14	17	42	14	27	17
	X7130-08L-1	8	M 14x1,5	12	17	19	42	17	27	19
	X7130-10L-1	10	M 16x1,5	14	19	22	43	18	28	22
	X7130-12L-1	12	M 18x1,5	17	22	24	44	20	29	24
	X7130-15L-1	15	M 22x1,5	19	27	30	46	23	31	27
	X7130-18L-1	18	M 26x1,5	24	32	36	49	24	32.5	32
L160	X7130-22L-1	22	M 30x2	27	36	41	51	30	34.5	36
	X7130-28L-1	28	M 36x2	36	41	46	52	34	35.5	42
	X7130-35L-1	35	M 45x2	41	50	55	58	39	36.5	50
	X7130-42L-1	42	M 52x2	50	60	65	59	43	36	60
S630	X7130-06S-1	6	M 14x1,5	12	17	19	44	17	29	19
	X7130-08S-1	8	M 16x1,5	14	19	22	44	18	29	22
	X7130-10S-1	10	M 18x1,5	17	22	24	46	20	29.5	24
	X7130-12S-1	12	M 20x1,5	17	24	27	47	21	30.5	27
	X7130-14S-1	14	M 22x1,5	19	27	30	50	23	32	27
S400	X7130-16S-1	16	M 24x1,5	24	30	32	50	24	31.5	30
	X7130-20S-1	20	M 30x2	27	36	41	55	30	33.5	36
	X7130-25S-1	25	M 36x2	36	46	46	59	34	35	42
	X7130-30S-1	30	M 42x2	41	50	50	64	39	37.5	50
S315	X7130-38S-1	38	M 52x2	50	60	65	68	43	37	60

# X7360

## Straight fitting with O'Ring seal

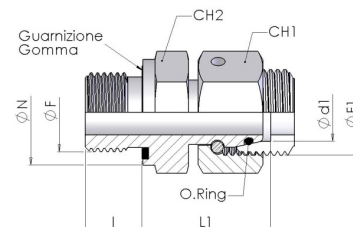


W.P.	Part number	Ø Tube	Dimensions							O-Ring
			Thread		CH1	CH2	N	I	L1	
bar		d1	Ø F1	Ø F	CH1	CH2	N	I	L1	
L315	X7360-06LR	6	M12x1,5	1/8"	14	14	14	8	24.5	4x1,5
	X7360-08LR	8	M14x1,5	1/4"	17	19	19	12	29.5	6x1,5
	X7360-10LR	10	M16x1,5	1/4"	19	19	19	12	27.5	7,5x1,5
	X7360-12LR	12	M18x1,5	3/8"	22	22	22	12	34	9x1,5
	X7360-15LR	15	M22x1,5	1/2"	27	27	27	14	32	12x2
	X7360-18LR	18	M26x1,5	1/2"	32	27	27	14	31.5	15x2
L160	X7360-22LR	22	M30x2	3/4"	36	32	32	16	32.5	20x2
	X7360-28LR	28	M36x2	1"	41	41	40	18	35	26x2
	X7360-35LR	35	M45x2	1" 1/4	50	50	50	20	42.5	32x2,5
	X7360-42LR	42	M52x2	1" 1/2	60	55	55	22	46.5	38x2,5
S630	X7360-06SR	6	M14x1,5	1/4"	17	19	19	12	27	4x1,5
	X7360-08SR	8	M16x1,5	1/4"	19	19	19	12	29.5	6x1,5
	X7360-10SR	10	M18x1,5	3/8"	22	22	22	12	32	7,5x1,5
	X7360-12SR	12	M20x1,5	3/8"	24	22	22	12	34	9x1,5
	X7360-14SR	14	M22x1,5	1/2"	27	27	27	14	36.5	10x2
S400	X7360-16SR	16	M24x1,5	1/2"	30	27	27	14	37	12x2
	X7360-20SR	20	M30x2	3/4"	36	32	32	16	43	16,3x2,4
	X7360-25SR	25	M36x2	1"	46	41	40	18	48	20,3x2,4
	X7360-30SR	30	M42x2	1" 1/4	50	50	50	20	51	25,3x2,4
S315	X7360-38SR	38	M52x2	1" 1/2	60	55	55	22	60	33,3x2,4



# X7360

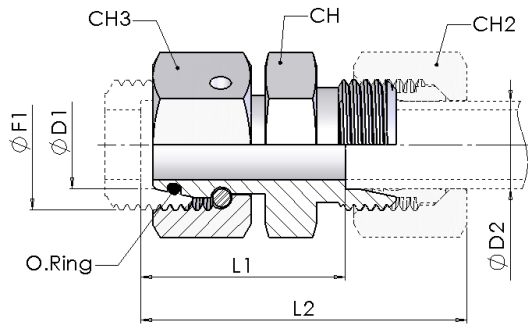
## Straight fitting with O'Ring seal



W.P.	Part number	Ø Tube	Dimensions							O-Ring
			Thread		CH1	CH2	N	I	L1	
bar		d1	Ø F1	Ø F	CH1	CH2	N	I	L1	
L315	X7360-06LM	6	M12x1,5	M10x1	14	14	14	8	24.5	4x1,5
	X7360-08LM	8	M14x1,5	M12x1,5	17	17	17	12	26.5	6x1,5
	X7360-10LM	10	M16x1,5	M14x1,5	19	19	19	12	27.5	7,5x1,5
	X7360-12LM	12	M18x1,5	M16x1,5	22	22	22	12	30.5	9x1,5
	7X360-15LM	15	M22x1,5	M18x1,5	27	24	24	12	31.5	12x2
	X7360-18LM	18	M26x1,5	M22x1,5	32	27	27	14	31.5	15x2
L160	X7360-22LM	22	M30x2	M26x1,5	36	32	32	16	32.5	20x2
	X7360-28LM	28	M36x2	M33x2	41	41	40	18	35	26x2
	X7360-35LM	35	M45x2	M42x2	50	50	50	20	42.5	32x2,5
	X7360-42LM	42	M52x2	M48x2	60	55	55	22	46.5	38x2,5
S630	X7360-06SM	6	M14x1,5	M12x1,5	17	17	17	12	27	4x1,5
	X7360-08SM	8	M16x1,5	M14x1,5	19	19	19	12	29.5	6x1,5
	X7360-10SM	10	M18x1,5	M16x1,5	22	22	22	12	32	7,5x1,5
	X7360-12SM	12	M20x1,5	M18x1,5	24	24	24	12	34	9x1,5
	X7360-14SM	14	M22x1,5	M20x1,5	27	27	26	14	36.5	10x2
S400	X7360-16SM	16	M24x1,5	M22x1,5	30	27	27	14	37	12x2
	X7360-20SM	20	M30x2	M27x2	36	32	32	16	43	16,3x2,4
	X7360-25SM	25	M36x2	M33x2	46	41	40	18	48	20,3x2,4
	X7360-30SM	30	M42x2	M42x2	50	50	50	20	51	25,3x2,4
S315	X7360-38SM	38	M52x2	M48x2	60	55	55	22	60	33,3x2,4

# X7370

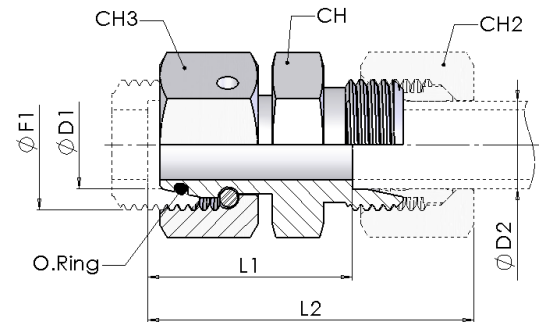
## Standpipe/Tube Reducers 'L' Series with O.Ring Seal



W.P.	Part number	Dimensions								O-Ring
		Thread								
bar		Ø F1	CH	CH2	CH3	ØD1	ØD2	L1	L2	
L315	X7370-08/06L-1	14x1,5	12	14	17	8	6	23.5	38	6x1,5
	X7370-10/06L-1	16x1,5	14	14	19	10	6	25	40	7,5x1,5
	X7370-10/08L-1	16x1,5	14	17	19	10	8	25	40	7,5x1,5
	X7370-12/06L-1	18x1,5	17	14	22	12	6	25	40	9x1,5
	X7370-12/08L-1	18x1,5	17	17	22	12	8	25	40	9x1,5
	X7370-12/10L-1	18x1,5	17	19	22	12	10	26	41	9x1,5
	X7370-15/06L-1	22x1,5	19	14	27	15	6	28.5	43	12x2
	X7370-15/08L-1	22x1,5	19	17	27	15	8	28.5	43	12x2
	X7370-15/10L-1	22x1,5	19	19	27	15	10	29.5	44	12x2
	X7370-15/12L-1	22x1,5	19	22	27	15	12	29.5	44	12x2
	X7370-18/06L-1	26x1,5	24	14	32	18	6	28	43	15x2
	X7370-18/08L-1	26x1,5	24	17	32	18	8	28	43	15x2
	X7370-18/10L-1	26x1,5	24	19	32	18	10	29	44	15x2
	X7370-18/12L-1	26x1,5	24	22	32	18	12	29	44	15x2
X7370-18/15L-1	26x1,5	24	27	32	18	15	30	45	15x2	
L160	X7370-22/06L-1	30x2	27	14	36	22	6	32	47	20x2
	X7370-22/08L-1	30x2	27	17	36	22	8	32	47	20x2
	X7370-22/10L-1	30x2	27	19	36	22	10	33	48	20x2
	X7370-22/12L-1	30x2	27	22	36	22	12	33	48	20x2
	X7370-22/15L-1	30x2	27	27	36	22	15	34	49	20x2
	X7370-22/18L-1	30x2	27	32	36	22	18	33.5	50	20x2
	X7370-28/06L-1	36x2	32	14	41	28	6	34	49	26x2
	X7370-28/08L-1	36x2	32	17	41	28	8	34	49	26x2
	X7370-28/10L-1	36x2	32	19	41	28	10	35	50	26x2
	X7370-28/12L-1	36x2	32	22	41	28	12	35	50	26x2
	X7370-28/15L-1	36x2	32	27	41	28	15	36	51	26x2
	X7370-28/18L-1	36x2	32	32	41	28	18	36.5	52	26x2
	X7370-28/22L-1	36x2	32	36	41	28	22	37.5	54	26x2
	X7370-35/06L-1	45x2	41	14	50	35	6	37	52	32x2,5
X7370-35/08L-1	45x2	41	17	50	35	8	37	52	32x2,5	

## X7370

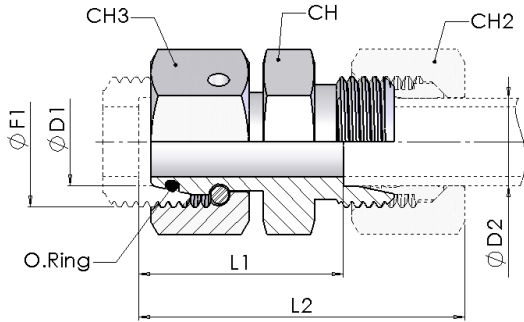
### Standpipe/Tube Reducers 'L' Series with O.Ring Seal



W.P.	Part number	Dimensions								O-Ring
		Thread								
bar		Ø F1	CH	CH2	CH3	Ø D1	Ø D2	L1	L2	
L160	X7370-35/10L-1	45x2	41	19	50	35	10	38	53	32x2,5
	X7370-35/12L-1	45x2	41	22	50	35	12	38	53	32x2,5
	X7370-35/15L-1	45x2	41	27	50	35	15	39	54	32x2,5
	X7370-35/18L-1	45x2	41	32	50	35	18	38.5	55	32x2,5
	X7370-35/22L-1	45x2	41	36	50	35	22	40.5	57	32x2,5
	X7370-35/28L-1	45x2	41	41	50	35	28	40.5	57	32x2,5
	X7370-42/06L-1	52x2	50	14	60	42	6	40.5	55	38x2,5
	X7370-42/08L-1	52x2	50	17	60	42	8	40.5	55	38x2,5
	X7370-42/10L-1	52x2	50	19	60	42	10	41.5	56	38x2,5
	X7370-42/12L-1	52x2	50	22	60	42	12	41.5	56	38x2,5
	X7370-42/15L-1	52x2	50	27	60	42	15	42.5	58	38x2,5
	X7370-42/18L-1	52x2	50	32	60	42	18	42	58	38x2,5
	X7370-42/22L-1	52x2	50	36	60	42	22	44	60	38x2,5
	X7370-42/28L-1	52x2	50	41	60	42	28	44	61	38x2,5
X7370-42/35L-1	52x2	50	50	60	42	35	43	65	38x2,5	

# X7370

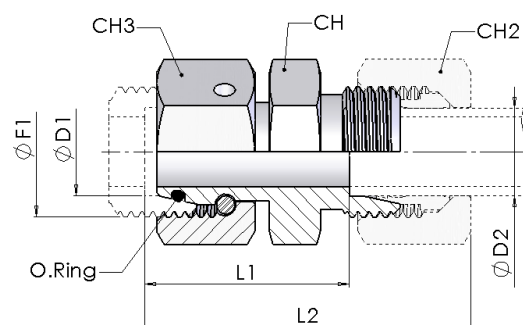
## Standpipe/Tube Reducers 'S' Series with O.Ring Seal



W.P.	Part number	Dimensions								O-Ring
		Thread								
bar		Ø F1	CH	CH2	CH3	ØD1	ØD2	L1	L2	
S630	X7370-08/06S -1	16x1,5	14	17	19	8	6	27	42	6x1,5
	X7370-10/06S -1	18x1,5	17	17	22	10	6	27.5	42	7,5x1,5
	X7370-10/08S -1	18x1,5	17	19	22	10	8	27.5	42	7,5x1,5
	X7370-12/06S -1	20x1,5	17	17	24	12	6	29	44	9x1,5
	X7370-12/08S -1	20x1,5	17	19	24	12	8	29	44	9x1,5
	X7370-12/10S -1	20x1,5	19	22	24	12	10	29.5	46	9x1,5
	X7370-14/06S -1	22x1,5	19	17	27	14	6	31.5	46	10x2
	X7370-14/08S -1	22x1,5	19	19	27	14	8	31.5	46	10x2
	X7370-14/10S -1	22x1,5	19	22	27	14	10	31	47	10x2
	X7370-14/12S -1	22x1,5	22	24	27	14	12	31	47	10x2
S400	X7370-16/06S -1	24x1,5	22	17	30	16	6	32	47	12x2
	X7370-16/08S -1	24x1,5	22	19	30	16	8	32	47	12x2
	X7370-16/10S -1	24x1,5	22	22	30	16	10	31.5	48	12x2
	X7370-16/12S -1	24x1,5	22	24	30	16	12	31.5	48	12x2
	X7370-16/14S -1	24x1,5	24	27	30	16	14	33	51	12x2
	X7370-20/06S -1	30x2	27	17	36	20	6	36	51	16,3x2,4
	X7370-20/08S -1	30x2	27	19	36	20	8	36	51	16,3x2,4
	X7370-20/10S -1	30x2	27	22	36	20	10	35.5	52	16,3x2,4
	X7370-20/12S -1	30x2	27	24	36	20	12	35.5	52	16,3x2,4
	X7370-20/14S -1	30x2	27	27	36	20	14	37	55	16,3x2,4
	X7370-20/16S -1	30x2	27	30	36	20	16	36.5	55	16,3x2,4
	X7370-25/06S -1	36x2	32	17	46	25	6	38.5	53	20,3x2,4
	X7370-25/08S -1	36x2	32	19	46	25	8	38.5	53	20,3x2,4
	X7370-25/10S -1	36x2	32	22	46	25	10	38	54	20,3x2,4
	X7370-25/12S -1	36x2	32	24	46	25	12	38	54	20,3x2,4
	X7370-25/14S -1	36x2	32	27	46	25	14	39.5	57	20,3x2,4
	X7370-25/16S -1	36x2	32	30	46	25	16	39	57	20,3x2,4
	X7370-25/20S -1	36x2	32	36	46	25	20	39	61	20,3x2,4
X7370-30/06S-1	42x2	41	17	50	30	6	44	59	25,3x2,4	
X7370-30/08S -1	42x2	41	19	50	30	8	44	59	25,3x2,4	

## X7370

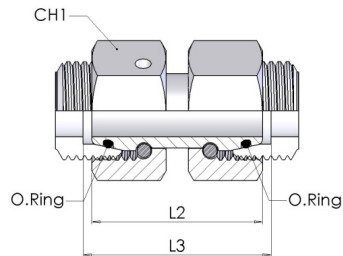
### Standpipe/Tube Reducers 'S' Series with O.Ring Seal



W.P.	Part number	Dimensions								O-Ring
		Thread								
bar		Ø F1	CH	CH2	CH3	Ø D1	Ø D2	L1	L2	
S400	X7370-30/10S -1	42x2	41	22	50	30	10	43.5	60	25,3x2,4
	X7370-30/12S -1	42x2	41	24	50	30	12	43.5	60	25,3x2,4
	X7370-30/14S -1	42x2	41	27	50	30	14	45	63	25,3x2,4
	X7370-30/16S -1	42x2	41	30	50	30	16	44.5	63	25,3x2,4
	X7370-30/20S -1	42x2	41	36	50	30	20	44.5	66	25,3x2,4
	X7370-30/25S -1	42x2	41	46	50	30	25	45	69	25,3x2,4
S315	X7370-38/06S-1	52x2	50	17	60	38	6	47.5	62	33,3x2,4
	X7370-38/08S-1	52x2	50	19	60	38	8	47.5	62	33,3x2,4
	X7370-38/10S-1	52x2	50	22	60	38	10	47	63	33,3x2,4
	X7370-38/12S -1	52x2	50	24	60	38	12	47	63	33,3x2,4
	X7370-38/14S-1	52x2	50	27	60	38	14	48.5	66	33,3x2,4
	X7370-38/16S -1	52x2	50	30	60	38	16	48	66	33,3x2,4
	X7370-38/20S -1	52x2	50	36	60	38	20	48	70	33,3x2,4
	X7370-38/25S -1	52x2	50	46	60	38	25	48.5	73	33,3x2,4
X7370-38/30S -1	52x2	50	50	60	38	30	49	76	33,3x2,4	

# X7380

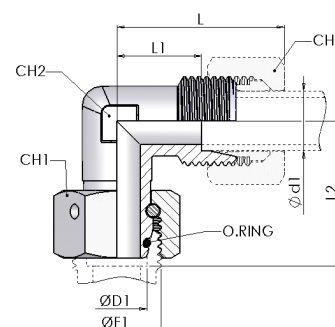
**Straight fitting  
with O'Ring**



W.P.	Part number	Ø Tube	Dimensions			O-Ring
			CH1	L2	L3	
bar		mm				
L315	X7380-06L	6	14	34	35	4x1,5
	X7380-08L	8	17	34	35	6x1,5
	X7380-10L	10	19	36	37	7,5x1,5
	X7380-12L	12	22	36	37	9x1,5
	X7380-15L	15	27	39	40	12x2
	X7380-18L	18	32	40.5	41.5	15x2
L160	X7380-22L	22	36	45	46	20x2
	X7380-28L	28	41	47	48	26x2
	X7380-35L	35	50	53	56	32x2,5
	X7380-42L	42	60	53	57	38x2,5
S630	X7380-06S	6	17	37	38	4x1,5
	X7380-08S	8	19	37	38	6x1,5
	X7380-10S	10	22	41	43	7,5x1,5
	X7380-12S	12	24	42	44	9x1,5
	X7380-14S	14	27	45	48	10x2
S400	X7380-16S	16	30	46	49	12x2
	X7380-20S	20	36	55	59	16,3x2,4
	X7380-25S	25	46	58	65	20,3x2,4
S315	X7380-30S	30	50	62	71	25,3x2,4
	X7380-38S	38	60	67	82	33,3x2,4

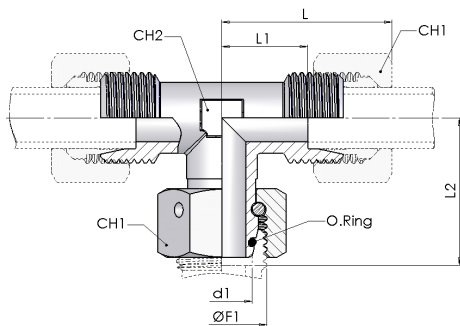
# X7330

## Angular rotary fitting with O.Ring Seal



W.P.	Part number	Ø Tube	Dimensions						O-Ring
			Thread						
bar		d1	Ø F1	CH1	CH2	L	L1	L2	
L315	X7330-06L-1	6	M12x1,5	14	12	27	12	26	4x1,5
	X7330-08L-1	8	M14x1,5	17	12	29	14	27.5	6x1,5
	X7330-10L-1	10	M16x1,5	19	14	30	15	29	7,5x1,5
	X7330-12L-1	12	M18x1,5	22	17	32	17	29.5	9x1,5
	X7330-15L-1	15	M22x1,5	27	19	36	21	32.5	12x2
	X7330-18L-1	18	M26x1,5	32	24	40	23.5	35.5	15x2
L160	X7330-22L-1	22	M30x2	36	27	44	27.5	38.5	20x2
	X7330-28L-1	28	M36x2	41	36	47	30.5	41.5	26x2
	X7330-35L-1	35	M45x2	50	41	56	34.5	51	32x2,5
	X7330-42L-1	42	M52x2	60	50	63	40	56	38x2,5
S630	X7330-06S-1	6	M14x1,5	17	12	31	16	27	4x1,5
	X7330-08S-1	8	M16x1,5	19	14	32	17	27.5	6x1,5
	X7330-10S-1	10	M18x1,5	22	17	34	17.5	30	7,5x1,5
	X7330-12S-1	12	M20x1,5	24	17	38	21.5	31	9x1,5
	X7330-14S-1	14	M22x1,5	27	19	40	22	35	10x2
S400	X7330-16S-1	16	M24x1,5	30	24	43	24.5	36.5	12x2
	X7330-20S-1	20	M30x2	36	27	48	26.5	44.5	16,3x2,4
	X7330-25S-1	25	M36x2	46	36	54	30	50	20,3x2,4
	X7330-30S-1	30	M42x2	50	41	62	35.5	55	25,3x2,4
S315	X7330-38S-1	38	M52x2	60	50	72	41	63	33,3x2,4

# X7340



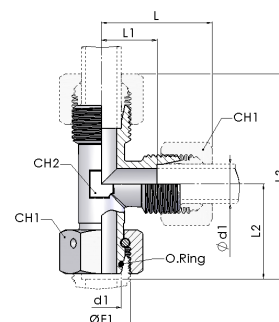
## Rotary fitting a Tees with O.Ring Seal

W.P.	Part number	Ø Tube	Dimensions						O-Ring
			Thread	CH1	CH2	L	L1	L2	
bar		d1	Ø F1	CH1	CH2	L	L1	L2	
L315	X7340-06L-1	6	12x1,5	14	12	27	12	26	4x1,5
	X7340-08L-1	8	14x1,5	17	12	29	14	27.5	6x1,5
	X7340-10L-1	10	16x1,5	19	14	30	15	29	7,5x1,5
	X7340-12L-1	12	18x1,5	22	17	32	17	29.5	9x1,5
	X7340-15L-1	15	22x1,5	27	19	36	21	32.5	12x2
	X7340-18L-1	18	26x1,5	32	24	40	23.5	35.5	15x2
L160	X7340-22L-1	22	30x2	36	27	44	27.5	38.5	20x2
	X7340-28L-1	28	36x2	41	36	47	30.5	41.5	26x2
	X7340-35L-1	35	45x2	50	41	56	34.5	51	32x2,5
	X7340-42L-1	42	52x2	60	50	63	40	56	38x2,5
S630	X7340-06S-1	6	14x1,5	17	12	31	16	27	4x1,5
	X7340-08S-1	8	16x1,5	19	14	32	17	27.5	6x1,5
	X7340-10S-1	10	18x1,5	22	17	34	17.5	30	7,5x1,5
	X7340-12S-1	12	20x1,5	24	17	38	21.5	31	9x1,5
	X7340-14S-1	14	22x1,5	27	19	40	22	35	10x2
S400	X7340-16S-1	16	24x1,5	30	24	43	24.5	36.5	12x2
	X7340-20S-1	20	30x2	36	27	48	26.5	44.5	16,3x2,4
	X7340-25S-1	25	36x2	46	36	54	30	50	20,3x2,4
	X7340-30S-1	30	42x2	50	41	62	35.5	55	25,3x2,4
S315	X7340-38S-1	38	52x2	60	50	72	41	63	33,3x2,4



# X7350

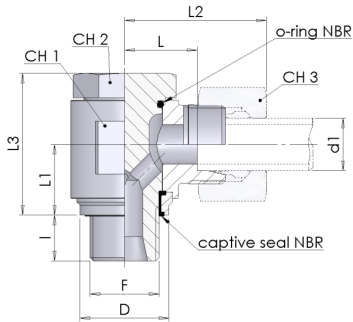
## Rotary fitting a L with O.Ring Seal



W.P.	Part number	Ø Tube	Dimensions							O-Ring
			Thread							
bar		d1	Ø F1	CH1	CH2	L	L1	L2	L3	
L315	X7350-06L-1	6	M12x1,5	14	12	27	12	26	53	4x1,5
	X7350-08L-1	8	M14x1,5	17	12	29	14	27.5	56	6x1,5
	X7350-10L-1	10	M16x1,5	19	14	30	15	29	59	7,5x1,5
	X7350-12L-1	12	M18x1,5	22	17	32	17	29.5	61	9x1,5
	X7350-15L-1	15	M22x1,5	27	19	36	21	32.5	69	12x2
	X7350-18L-1	18	M26x1,5	32	24	40	23.5	35.5	75	15x2
L160	X7350-22L-1	22	M30x2	36	27	44	27.5	38.5	82	20x2
	X7350-28L-1	28	M36x2	41	36	47	30.5	41.5	89	26x2
	X7350-35L-1	35	M45x2	50	41	56	34.5	51	107	32x2,5
	X7350-42L-1	42	M52x2	60	50	63	40	56	119	38x2,5
S630	X7350-06S-1	6	M14x1,5	17	12	31	16	27	58	4x1,5
	X7350-08S-1	8	M16x1,5	19	14	32	17	27.5	59	6x1,5
	X7350-10S-1	10	M18x1,5	22	17	34	17.5	30	64	7,5x1,5
	X7350-12S-1	12	M20x1,5	24	17	38	21.5	31	69	9x1,5
	X7350-14S-1	14	M22x1,5	27	19	40	22	35	75	10x2
S400	X7350-16S-1	16	M24x1,5	30	24	43	24.5	36.5	79	12x2
	X7350-20S-1	20	M30x2	36	27	48	26.5	44.5	93	16,3x2,4
	X7350-25S-1	25	M36x2	46	36	54	30	50	104	20,3x2,4
	X7350-30S-1	30	M42x2	50	41	62	35.5	55	117	25,3x2,4
S315	X7350-38S-1	38	M52x2	60	50	72	41	63	135	33,3x2,4

# X7200

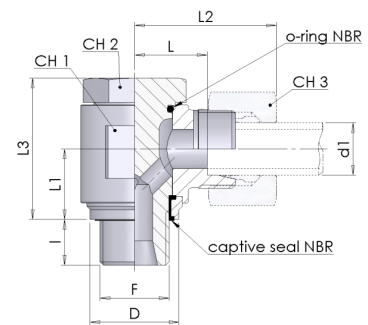
## Orientable Banjo elbows with seal ring



W.P.	Part number	Ø Tube	Dimensions								
			Thread								
bar		d1	ØF	CH1	CH2	CH3	Ø D	I	L	L1	L2
L315	X7200-06LR-1	06	G1/8A	17	14	14	14.9	08	13	10	27.5
	X7200-06LR04-1	06	G1/4A	22	19	14	18.9	10	15	13.5	29.5
	X7200-08LR-1	08	G1/4A	22	19	17	18.9	10	14	13.5	28.5
	X7200-10LR-1	10	G1/4A	22	19	19	18.9	10	16	13.5	30.5
	X7200-12LR04-1	12	G1/4A	22	19	22	18.9	10	16	15.5	31
	X7200-12LR-1	12	G3/8A	27	22	22	21.8	12	18	16	32.5
	X7200-15LR-1	15	G1/2A	32	27	27	26.9	14	21.5	19.5	36
	X7200-18LR-1	18	G1/2A	32	27	32	26.9	14	21	21.5	37
L160	X7200-22LR-1	22	G3/4A	41	32	36	32.9	16	27.5	24	43.5
	X7200-28LR-1	28	G1A	46	41	41	39.9	18	31.5	30.5	48
	X7200-35LR-1	35	G1 1/4A	55	50	50	49.8	20	35.5	35.5	57
	X7200-42LR-1	42	G1 1/2A	65	55	60	55.8	22	40	40.5	62.5
S400	X7200-06SR-1	06	G1/4A	22	19	17	18.9	10	16	13.5	30.5
	X7200-08SR-1	08	G1/4A	22	19	19	18.9	10	16	13.5	30.5
	X7200-10SR-1	10	G3/8A	27	22	22	21.8	12	18.5	16	34.5
	X7200-12SR-1	12	G3/8A	27	22	24	21.8	11	18.5	17	35
S315	X7200-16SR-1	16	G1/2A	30	27	32	26.9	14	22	21.5	40
S250	X7200-20SR-1	20	G3/4A	41	32	36	32.9	16	27	24	48.5
S160	X7200-25SR-1	25	G1A	46	41	46	39.9	18	31	30.5	55
	X7200-30SR-1	30	G1 1/4A	55	50	50	49.8	20	36.5	35.5	63
	X7200-38SR-1	38	G1 1/2A	65	55	60	55.8	22	41	40.5	71.5

# X7200

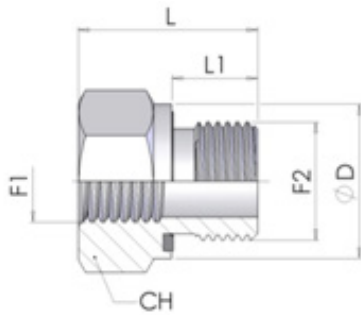
## Orientable Banjo elbows with seal ring



W.P.	Part number	Ø Tube	Dimensions								
			Thread								
bar		d1	ØF	CH1	CH2	CH3	Ø D	I	L	L1	L2
L315	X7200-06LM-1	06	M10x1	17	14	14	14.9	8	13	10	27.5
	X7200-08LM-1	08	M12x1,5	22	19	17	17.9	10	14	13.5	28.5
	X7200-10LM-1	10	M14x1,5	22	19	19	19.9	10	16	13.5	30.5
	X7200-12LM-1	12	M16x1,5	27	22	22	21.8	11	18	16	32.5
L250	X7200-12LM18-1	12	M18x1,5	24	22	22	23.8	10	20	18.5	35
L315	X7200-15LM-1	15	M18x1,5	30	24	27	23.9	10	20.5	18.5	35.5
	X7200-18LM-1	18	M22x1,5	32	27	32	27.9	12	21	21.5	37
L160	X7200-22LM-1	22	M26x1,5	41	32	36	31.9	16	27.5	24	43.5
	X7200-28LM-1	28	M33x2	46	41	41	39.9	18	31.5	30.5	48
	X7200-35LM-1	35	M42x2	55	50	50	49.8	20	35.5	35.5	57
	X7200-42LM-1	42	M48x2	65	55	60	55.8	22	40	40.5	62.5
S400	X7200-06SM-1	06	M12x1,5	22	19	17	17.9	10	16	13.5	30.5
	X7200-08SM-1	08	M14x1,5	22	19	19	19.9	10	16	13.5	30.5
	X7200-10SM-1	10	M16x1,5	27	22	22	21.8	11	18.5	16	34.5
	X7200-12SM-1	12	M18x1,5	30	24	24	23.9	10	19.5	18.5	35.5
S315	X7200-16SM-1	16	M22x1,5	32	27	30	27.9	12	22	21.5	40
S250	X7200-20SM-1	20	M27x2	41	32	36	32.9	16	27	24	48.5
S160	X7200-25SM-1	25	M33x2	46	42	46	39.9	18	31	30.5	55
	X7200-30SM-1	30	M42x2	55	50	50	49.8	20	36.5	35.5	63
	X7200-38SM-1	38	M48x2	65	55	60	55.8	22	41	40.5	71.5

# X7240

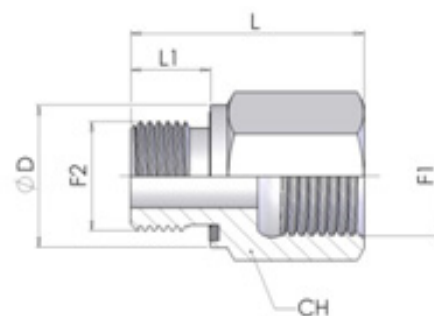
## Male-Female reduction with flat seal



W.P.	Part number	Dimensions					
		Type	F1	F2	CH	L	L1
630	X7240-0602	A	G 1/8	G 3/8	22	22.5	12
	X7240-0802	A	G 1/8	G 1/2	27	24	14
	X7240-0804	A	G 1/4	G 1/2	27	24	14
400	X7240-1204	A	G 1/4	G 3/4	32	26	16
	X7240-1206	A	G 3/8	G 3/4	32	26	16
	X7240-1604	A	G 1/4	G 1	41	29	18
	X7240-1606	A	G 3/8	G 1	41	29	18
	X7240-1608	A	G 1/2	G 1	41	29	18
250	X7240-2008	A	G 1/2	G 1 1/4	50	32	20
	X7240-2012	A	G 3/4	G 1 1/4	50	32	20
	X7240-2408	A	G 1/2	G 1 1/2	55	36	22
	X7240-2412	A	G 3/4	G 1 1/2	55	36	22
	X7240-2416	A	G 1	G 1 1/2	55	36	22

## X7240

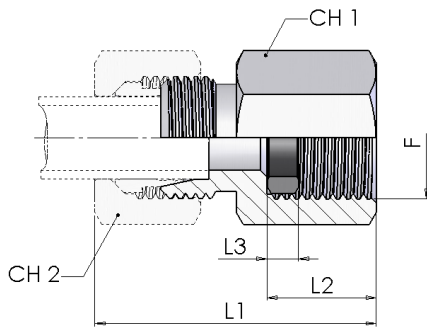
### Male-Female reduction with flat seal



W.P.	Part number	Dimensions					
		Type	Thread		CH	L	L1
bar			F1	F2	CH	L	L1
630	X7240-0204	B	G 1/4	G 1/8	19	31	8
	X7240-0206	B	G 3/8	G 1/8	24	32	8
	X7240-0402	B	G 1/8	G 1/4	19	28	12
	X7240-0406	B	G 3/8	G 1/4	24	36	12
	X7240-0408	B	G 1/2	G 1/4	30	40	12
400	X7240-0412	B	G 3/4	G 1/4	36	43	12
630	X7240-0604	B	G 1/4	G 3/8	22	36	12
	X7240-0608	B	G 1/2	G 3/8	30	41	12
400	X7240-0612	B	G 3/4	G 3/8	36	44	12
	X7240-0806	B	G 3/8	G 1/2	27	36	14
	X7240-0812	B	G 3/4	G 1/2	36	46	14
	X7240-0816	B	G 1	G 1/2	41	49	14
250	X7240-0820	B	G 1 1/4	G 1/2	55	53	14
400	X7240-1208	B	G 1/2	G 3/4	32	41	16
	X7240-1216	B	G 1	G 3/4	41	51	16
250	X7240-1220	B	G 1 1/4	G 3/4	55	55	16
	X7240-1224	B	G 1 1/2	G 3/4	60	57	16
400	X7240-1612	B	G 3/4	G 1	41	47	18
250	X7240-1620	B	G 1 1/4	G 1	55	57	18
	X7240-1624	B	G 1 1/2	G 1	60	59	18
	X7240-2016	B	G 1	G 1 1/4	50	52	20
	X7240-2024	B	G 1 1/2	G 1 1/4	60	60	20
	X7240-2420	B	G 1 1/4	G 1 1/2	55	58	22

# X7030

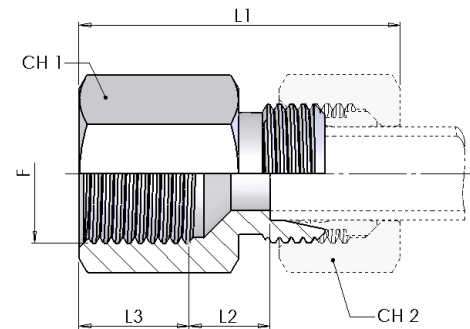
## Gauge Couplings



W.P.	Part number	Ø Tube	Dimensions					
			Thread	CH1	CH2	L1	L2	L3
bar		mm	ØF					
LL100	X7030-04LL-1	4	G 1/4	19	10	33	14.5	4.5
L315	X7030-06L-1	6	G 1/4	19	14	37	14.5	4.5
	X7030-08L-1	8	G 1/4	19	17	37	14.5	4.5
	X7030-10L-1	10	G 1/4	19	19	38	14.5	4.5
	X7030-12L-1	12	G 1/4	19	22	38	14.5	4.5
S630	X7030-06S-1	6	G 1/2	27	17	46	20	5
	X7030-08S-1	8	G 1/2	27	19	46	20	5
	X7030-10S-1	10	G 1/2	27	22	47	20	5
	X7030-12S-1	12	G 1/2	27	24	47	20	5

# X7250

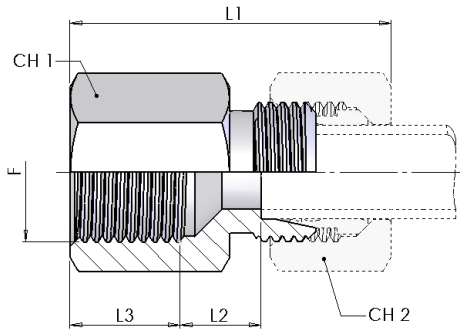
## Female Stud Couplings



W.P.	Part number	Ø Tube	Dimensions					
			Thread					
bar		mm	ØF	CH1	CH2	L1	L2	L3
L315	X7250-06LR-1	6	G 1/8	14	14	33.5	7	12
	X7250-08LR-1	8	G 1/4	19	17	39	7	17
	X7250-08LR06-1	8	G 3/8	24	17	40	10.5	14.5
	X7250-08LR08-1	8	G 1/2	27	17	44	14.5	14.5
	X7250-10LR-1	10	G 1/4	19	19	40	8	17
	X7250-10LR06-1	10	G 3/8	24	19	41	11.5	14.5
	X7250-10LR08-1	10	G 1/2	27	19	45	15.5	14.5
	X7250-12LR-1	12	G 3/8	24	22	40.5	9	17
	X7250-12LR08-1	12	G 1/2	27	22	45	15.5	14.5
	X7250-15LR-1	15	G 1/2	27	27	46	11	20
L160	X7250-22LR-1	22	G 3/4	36	36	52	13.5	22
	X7250-28LR-1	28	G 1	41	41	54	13	24.5
	X7250-35LR-1	35	G 1 1/4	55	50	63	15	26.5
	X7250-42LR-1	42	G 1 1/2	60	60	66	14.5	28.5
S630	X7250-06SR-1	6	G 1/4	19	17	41	9	17
	X7250-08SR-1	8	G 1/4	19	19	41	9	17
	X7250-10SR-1	10	G 3/8	24	22	42.5	9.5	17
	X7250-12SR-1	12	G 3/8	24	24	42.5	9.5	17
	X7250-14SR-1	14	G 1/2	30	27	50	12	20
S400	X7250-16SR-1	16	G 1/2	30	30	50	11.5	20
	X7250-20SR-1	20	G 3/4	36	36	56	12.5	22
	X7250-25SR-1	25	G 1	41	46	61	12.5	24.5
	X7250-30SR-1	30	G 1 1/4	55	50	69	16	26.5
S315	X7250-38SR-1	38	G 1 1/2	60	60	75	15.5	28.5

# X7250

## Female Stud Couplings

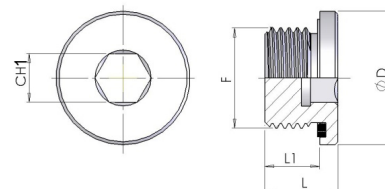


W.P.	Part number	Ø Tube	Dimensions					
			Thread					
bar		mm	ØF	CH1	CH2	L1	L2	L3
L315	X7250-06LM-1	6	M 10x1	14	14	33.5	7	12
	X7250-08LM-1	8	M 12x1,5	17	17	39	7	17
	X7250-10LM-1	10	M 14x1,5	19	19	40	8	17
	X7250-12LM-1	12	M 16x1,5	22	22	40.5	9	17
	X7250-15LM-1	15	M 18x1,5	24	27	46	14	17
	X7250-18LM-1	18	M 22x1,5	30	30	47	11.5	19
L160	X7250-22LM-1	22	M 26x1,5	32	36	51	13.5	21
S630	X7250-06SM-1	6	M 12x1,5	17	17	41	9	17
	X7250-08SM-1	8	M 14x1,5	19	19	41	9	17
	X7250-10SM-1	10	M 16x1,5	22	22	42.5	9.5	17
	X7250-12SM-1	12	M 18x1,5	24	24	42.5	9.5	17
	X7250-14SM-1	14	M 20x1,5	27	27	50	13	19
S400	X7250-16SM-1	16	M 22x1,5	30	30	50	12.5	19
	X7250-20SM-1	20	M 27x2	36	36	56	12.5	22



## X7260\_BS

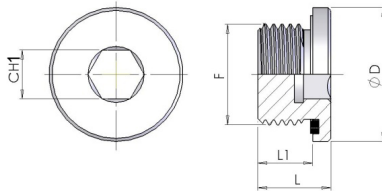
## Inner hexagon plugPacking ring



W.P.	Part number	Dimensions				
		Thread				
bar		ØF	CH1	Ø D	L	L1
400	X7260_BS-02	G 1/8	5	14	12	8
	X7260_BS-04	G 1/4	6	19	17	12
	X7260_BS-06	G 3/8	8	22	17	12
	X7260_BS-08	G 1/2	10	27	19	14
	X7260_BS-12	G 3/4	12	32	21	16
	X7260_BS-16	G 1	17	40	22.5	16
250	X7260_BS-20	G 1 1/4	22	50	22.5	16
	X7260_BS-24	G 1 1/2	24	55	22.5	16

# X7260

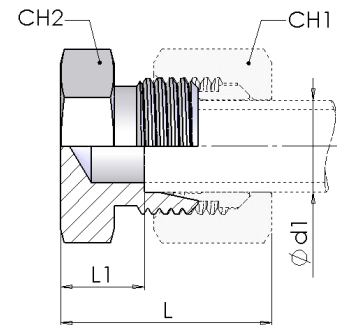
## Inner hexagon plugPacking ring



W.P.	Part number	Dimensions				
		Thread				
bar		ØF	CH1	Ø D	L	L1
400	X7260-10X10	M10x1	5	14	12	8
	X7260-12X15	M12x1,5	6	17	17	12
	X7260-14X15	M14x1,5	6	19	17	12
	X7260-16X15	M16x1,5	8	22	17	12
	X7260-18X15	M18x1,5	8	24	17	12
	X7260-20X15	M20x1,5	10	26	19	14
	X7260-22X15	M22x1,5	10	27	19	14
	X7260-26X15	M26x1,5	12	32	21	16
	X7260-27X20	M27x2	12	32	21	16
	X7260-33X20	M33x2	17	40	22.5	16
250	X7260-42X20	M42x2	22	50	22.5	16
	X7260-48X20	M48x2	24	55	22.5	16

# X7270

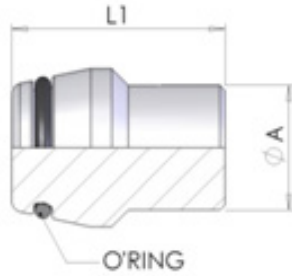
## Pipe plug



W.P.	Part number	Ø Tube	Dimensions			
			CH1	CH2	L	L1
bar		d1	CH1	CH2	L	L1
L315	X7270-06L-1	6	14	12	22	17.5
	X7270-08L-1	8	17	14	23	18.5
	X7270-10L-1	10	19	17	24	19.5
	X7270-12L-1	12	22	19	25	10.5
	X7270-15L-1	15	27	24	26	11.5
	X7270-18L-1	18	32	27	28	11.5
L160	X7270-22L-1	22	36	32	30	13.5
	X7270-28L-1	28	41	41	31	14.5
	X7270-35L-1	35	50	46	36	14.5
	X7270-42L-1	42	60	55	39	16.5
S630	X7270-06S-1	6	17	14	26	11.5
	X7270-08S-1	8	19	17	28	13.5
	X7270-10S-1	10	22	19	29	12.5
	X7270-12S-1	12	24	22	31	14.5
	X7270-14S-1	14	27	24	34	16.5
S400	X7270-16S-1	16	30	27	34	15.5
	X7270-20S-1	20	36	32	39	17.5
	X7270-25S-1	25	46	41	44	20.5
	X7270-30S-1	30	50	46	47	20.5
S315	X7270-38S-1	38	60	55	54	23.5

# X7290

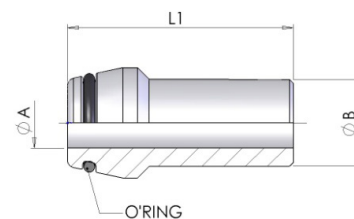
## Pipe plug with O-Ring seal



W.P.	Part number	Ø Tube	Dimensions	
			A	L
bar		mm		
L315	X7290-06LS	6	6	18.5
	X7290-08LS	8	8	18.5
	X7290-10LS	10	10	20
	X7290-12LS	12	12	20.5
	X7290-15L	15	15	20.5
	X7290-18L	18	18	22.5
L160	X7290-22L	22	22	25
	X7290-28L	28	28	25.5
	X7290-35L	35	35	30
	X7290-42L	42	42	30
S630	X7290-14S	14	14	22.5
S400	X7290-16S	16	16	23.5
	X7290-20S	20	20	28.5
	X7290-25S	25	25	29
	X7290-30S	30	30	30.5
S315	X7290-38S	38	38	33

## X7280

## Welding Nipples with O-Ring Seal



W.P.	Part number	Ø Tube	Dimensions			
			pipe			
bar		mm	T	Ø A	ØB	L1
29630	X7280-10X20	10	10 x 2	6	10	31
	X7280-12X25	12	12 x 2,5	7	12	31
	X7280-14X30	14	14 x 3	8	14	40
29400	X7280-16X30	16	16 x 3	10	16	42
	X7280-20X40	20	20 x 4	12	20	48
	X7280-25X40	25	25 x 4	17	25	51
	X7280-30X50	30	30 x 5	20	30	59
29315	X7280-38X06	38	38 x 6	26	38	66



JIC  
adaptors

in!



**X5000**



Nut

154

**X5010**



Sleeve for inches tube

154

**X5020**

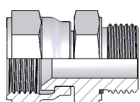


Sleeve for inches tube

155



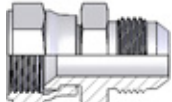
**X5036**



Connector swivel JIC female X BSP male with "ED" seal

156

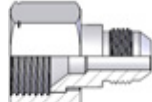
**X5055**



Swivel Union M/F JIC

157

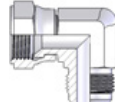
**X5056**



Swivel Reduction M/F JIC

157

**X5060**



90° JIC male X JIC female connector swivel

158

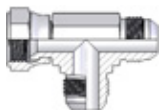
**X5070**



45° male / female swivel elbow JIC

158

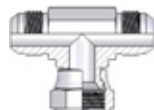
**X5080**



Female run tee

159

**X5090**

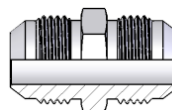


Female branch tee

159

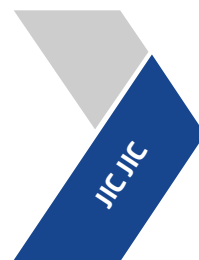


**X1900**

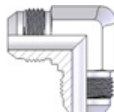


Male connector

160



**X5100**



90° Elbow Union

160

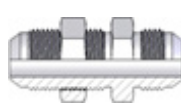
**X5120**



Union Tee

161

**X5110**

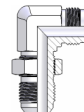


Straight Bulkhead Union

161

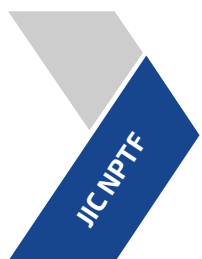


**X5130**

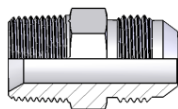


Bulkhead 90° Elbow Union

162



**X1906**



Male connector NPTF male X JIC male

163

**X5140**

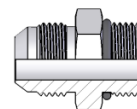


90° connector JIC male X NPTF male

164



**X1907**

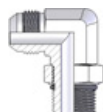


Male connector JIC male X UNF straight thread

165



**X5190**

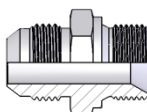


90° elbow "adjustable" connector JIC male X UNF straight thread male

166



**X1905**

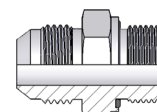


Connector BSP parallel thread male X JIC male

167



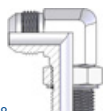
**X5805**



Male Connector Jic/ BSP O'Ring with "ED" seal

168

**X5230**

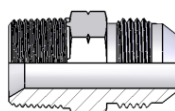


90° elbow "adjustable" connector JIC male X BSP straight thread male

169



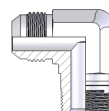
**X1903**



Male Connector Jic/ BSPT

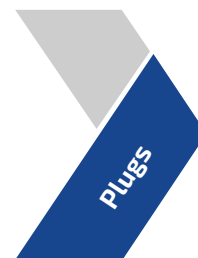
170

**X5165**

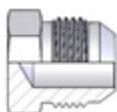


Male 90° Elbow Jic/ BSPT

171



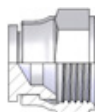
**XJ605**



Male plug

172

**XJ608**

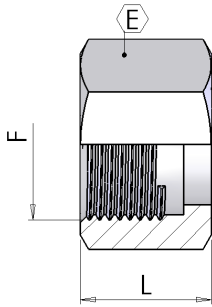


Female Plug Swivel

172

## X5000

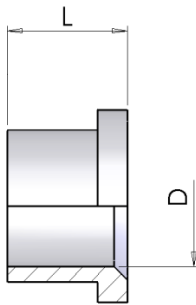
### Nut



Part number	Ø Tube		Dimensions		
			Hex	F	L
	in	mm	E	F	L
X5000-04	1/4"	6	14	7/16" - 20	15.5
X5000-05	5/16"	8	17	1/2" - 20	17
X5000-06	3/8"	10	19	9/16" - 18	18.3
X5000-08	1/2"	12	22	3/4" - 16	21.3
X5000-10	5/8"	16	27	7/8" - 14	24.6
X5000-12	3/4"	20	32	1.1/16" - 12	25.9
X5000-16	1"	25	41	1.5/16" - 12	28.4
X5000-20	1-1/4"	32	50	1.5/8" - 12	31
X5000-24	1-1/2"	38	60	1.7/8" - 12	36

## X5010

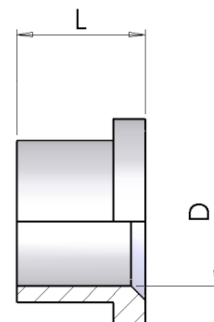
### Sleeve for inches tube



Part number	Ø Tube	Dimensions	
		D	L
	mm		
X5010-06	6	6	10.4
X5010-08	8	8	11.2
X5010-10	10	10	12.7
X5010-12	12	12	14.2
X5010-15	15	14	14
X5010-16	16	16	16.8
X5010-18	18	18	23.1
X5010-20	20	20	17.3
X5010-25	25	25	19.8
X5010-30	30	30	23.1
X5010-32	32	32	23
X5010-38	38	38	28.4

## X5020

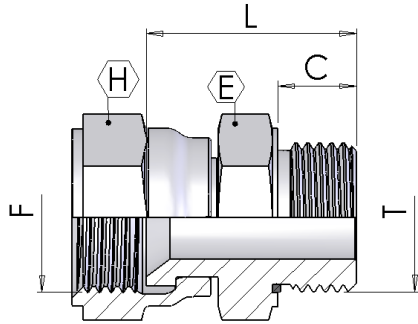
## Sleeve for inches tube



Part number	Ø Tube	Dimensions	
		D	L
	in		
X5020-04	1/4"	1/4"	10.4
X5020-05	5/16"	5/16"	11.2
X5020-06	3/8"	3/8"	12.7
X5020-08	1/2"	1/2"	14.2
X5020-10	5/8"	5/8"	16.8
X5020-12	3/4"	3/4"	17.3
X5020-16	1"	1"	19.8
X5020-20	1.1/4"	1.1/4"	23.1
X5020-24	1.1/2"	1.1/2"	28.4

# X5036

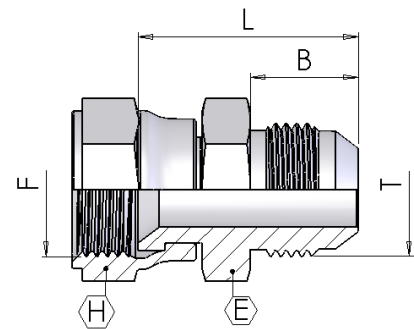
## Connector swivel JIC female X BSP male with "ED" seal



Part number	Ø Tube		Dimensions					
			Thread	C	Hex	F	L	H
	in	mm	T		E			
X5036-04-02	1/4"	6	1/8"-28	8	14	7/16" - 20	25	17
X5036-04-04	1/4"	6	1/4"-19	12	19	7/16" - 20	29	17
X5036-04-06	1/4"	6	3/8"-19	12	22	7/16" - 20	30.5	17
X5036-05-04	5/16"	8	1/4"-19	12	19	1/2" - 20	29.5	17
X5036-05-06	5/16"	8	3/8"-19	12	22	1/2" - 20	30.5	17
X5036-06-04	3/8"	10	1/4"-19	12	19	9/16" - 18	30	19
X5036-06-06	3/8"	10	3/8"-19	12	22	9/16" - 18	30	19
X5036-06-08	3/8"	10	1/2"-14	14	27	9/16" - 18	34	19
X5036-08-04	1/2"	12	1/4"-19	12	19	3/4" - 16	31	24
X5036-08-06	1/2"	12	3/8"-19	12	22	3/4" - 16	33.5	24
X5036-08-08	1/2"	12	1/2"-14	14	27	3/4" - 16	36	24
X5036-10-06	5/8"	16	3/8"-19	12	22	7/8" - 14	34	27
X5036-10-08	5/8"	16	1/2"-14	14	27	7/8" - 14	34	27
X5036-10-12	5/8"	16	3/4"-14	16	32	7/8" - 14	41	27
X5036-12-08	3/4"	20	1/2"-14	14	27	1.1/16" - 12	38	32
X5036-12-12	3/4"	20	3/4"-14	16	32	1.1/16" - 12	40	32
X5036-12-16	3/4"	20	1"-11	18	41	1.1/16" - 12	42.5	32
X5036-16-12	1"	25	3/4"-14	16	32	1.5/16" - 12	46.5	41
X5036-16-16	1"	25	1"-11	18	41	1.5/16" - 12	45	41
X5036-16-20	1"	25	1.1/4"-11	20	50	1.5/16" - 12	48	41
X5036-20-16	1-1/4"	32	1"-11	18	41	1.5/8" - 12	50	50
X5036-20-20	1-1/4"	32	1.1/4"-11	20	50	1.5/8" - 12	53	50
X5036-24-24	1-1/2"	38	1.1/2"-11	22	55	1.7/8" - 12	59	55

## X5055

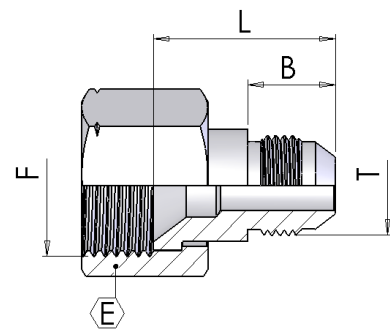
### Swivel Union M/F JIC



Part number	Ø Tube		Dimensions					
			Thread		Hex			
	in	mm	T	B	E	F	L	H
X5055-04	1/4"	6	7/16" - 20	14	12	7/16" - 20	29	17
X5055-06	3/8"	10	9/16" - 18	14	17	9/16" - 18	30.7	19
X5055-08	1/2"	12	3/4" - 16	17	22	3/4" - 16	35.5	24
X5055-10	5/8"	16	7/8" - 14	19.5	24	7/8" - 14	40.5	27
X5055-12	3/4"	20	1.1/16" - 12	22	32	1.1/16" - 12	45.6	32
X5055-20	1-1/4"	32	1.5/8" - 12	24.3	46	1.5/8" - 12	56	50

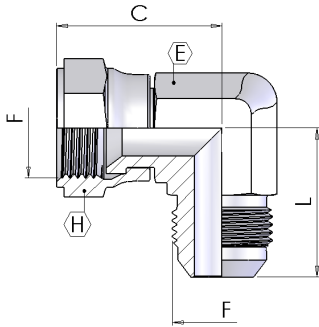
## X5056

### Swivel Reduction M/F JIC



Part number	Ø Tube		Dimensions				
			Thread		Hex		
	in	mm	T	B	E	F	L
X5056-06-04	3/8"	10	7/16" - 20	14	19	9/16" - 18	26
X5056-08-04	1/2"	12	7/16" - 20	14	22	3/4" - 16	26
X5056-08-06	1/2"	12	9/16" - 18	14	22	3/4" - 16	26
X5056-10-04	5/8"	16	7/16" - 20	14	27	7/8" - 14	28
X5056-10-06	5/8"	16	9/16" - 18	14	27	7/8" - 14	28
X5056-12-04	3/4"	20	7/16" - 20	14	32	1.1/16" - 12	28.5
X5056-12-06	3/4"	20	9/16" - 18	14	32	1.1/16" - 12	30.4
X5056-12-08	3/4"	20	3/4" - 16	17	32	1.1/16" - 12	33
X5056-16-10	1"	25	7/8" - 14	19.5	41	1.5/16" - 12	37
X5056-16-12	1"	25	1.1/16" - 12	22	41	1.5/16" - 12	40
X5056-20-16	1.1/4"	32	1.5/16" - 12	23	50	1.5/8" - 12	41
X5056-24-16	1.1/2"	38	1.5/16" - 12	23	60	1.7/8" - 12	45
X5056-24-20	1.1/2"	38	1.5/8" - 12	24.3	60	1.7/8" - 12	62

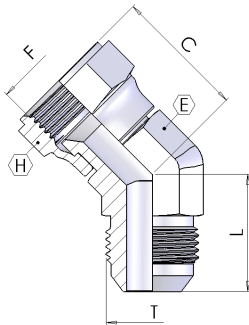
## X5060



### 90° JIC male X JIC female connector swivel

Part number	Ø Tube		Dimensions					
			Thread		Hex		L	H
	in	mm	T	C	E	F		
X5060-04	1/4"	6	7/16" - 20	16.7	12	7/16" - 20	22.5	14
X5060-05	5/16"	8	1/2" - 20	17.5	13	1/2" - 20	24	17
X5060-06	3/8"	10	9/16" - 18	22.5	14	9/16" - 18	27	19
X5060-08	1/2"	12	3/4" - 16	24.5	19	3/4" - 16	32	24
X5060-10	5/8"	16	7/8" - 14	29.5	24	7/8" - 14	37.5	27
X5060-12	3/4"	20	1.1/16" - 12	31	24	1.1/16" - 12	42	32
X5060-16	1"	25	1.5/16" - 12	35.7	33	1.5/16" - 12	46	41
X5060-20	1.1/4"	32	1.5/8" - 12	42.8	41	1.5/8" - 12	52.5	50
X5060-24	1.1/2"	38	1.7/8" - 12	47.2	48	1.7/8" - 12	64	60
X5060-32	2"	50	2.1/2" - 12	62	65	2.1/2" - 12	76.5	75

## X5070

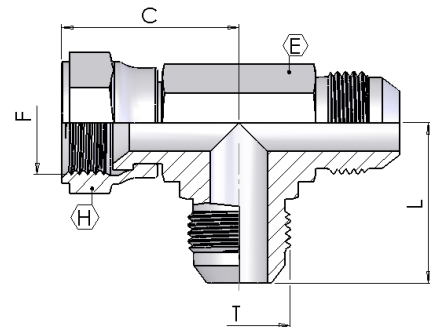


### 45° male / female swivel elbow JIC

Part number	Ø Tube		Dimensions					
			Thread		Hex		L	H
	in	mm	T	C	E	F		
X5070-04	1/4"	6	7/16" - 20	15	12	7/16" - 20	18	14
X5070-05	5/16"	8	1/2" - 20	16	14	1/2" - 20	20	17
X5070-06	3/8"	10	9/16" - 18	19	14	9/16" - 18	21	19
X5070-08	1/2"	12	3/4" - 16	22	19	3/4" - 16	25	24
X5070-10	5/8"	16	7/8" - 14	24	24	7/8" - 14	28	27
X5070-12	3/4"	20	1.1/16" - 12	24	24	1.1/16" - 12	33	32
X5070-16	1"	25	1.5/16" - 12	29	33	1.5/16" - 12	37	41

## X5080

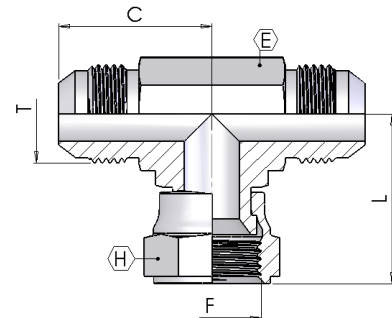
### Female run tee



Part number	Ø Tube		Dimensions					
			Thread		Hex			
	in	mm	T	C	E	F	L	H
X5080-04	1/4"	6	7/16" - 20	16.7	12	7/16" - 20	22.5	14
X5080-05	5/16"	8	1/2" - 20	17.5	13	1/2" - 20	24	17
X5080-06	3/8"	10	9/16" - 18	22.3	14	9/16" - 18	27	19
X5080-08	1/2"	12	3/4" - 16	24.5	19	3/4" - 16	31	24
X5080-10	5/8"	16	7/8" - 14	29.5	24	7/8" - 14	37.5	27
X5080-12	3/4"	20	1.1/16" - 12	31	24	1.1/16" - 12	42	32
X5080-16	1"	25	1.5/16" - 12	35.7	33	1.5/16" - 12	46	41
X5080-20	1.1/4"	32	1.5/8" - 12	42.8	41	1.5/8" - 12	52.5	50

## X5090

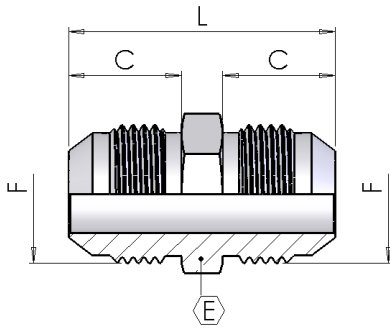
### Female branch tee



Part number	Ø Tube		Dimensions					
			Thread		Hex			
	in	mm	T	C	E	F	L	H
X5090-04	1/4"	6	7/16" - 20	22.5	12	7/16" - 20	16.7	14
X5090-05	5/16"	8	1/2" - 20	24	13	1/2" - 20	17.5	17
X5090-06	3/8"	10	9/16" - 18	27	14	9/16" - 18	22.3	19
X5090-08	1/2"	12	3/4" - 16	31	19	3/4" - 16	24.5	24
X5090-10	5/8"	16	7/8" - 14	37.5	24	7/8" - 14	29.5	27
X5090-12	3/4"	20	1.1/16" - 12	42	24	1.1/16" - 12	31	32
X5090-16	1"	25	1.5/16" - 12	46	33	1.5/16" - 12	35.7	41
X5090-20	1.1/4"	32	1.5/8" - 12	52.5	41	1.5/8" - 12	42.8	50

# X1900

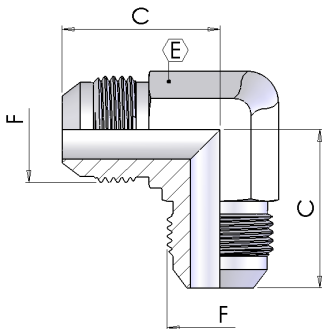
## Male connector



Part number	Ø Tube		Dimensions			
			Hex		F	L
in	mm	C	E			
X1900-04-04	1/4"	6	14	12	7/16" - 20	35
X1900-05-05	5/16"	8	14	14	1/2" - 20	35
X1900-06-06	3/8"	10	14.1	17	9/16" - 18	36
X1900-08-08	1/2"	12	16.7	22	3/4" - 16	41
X1900-10-10	5/8"	16	19.3	24	7/8" - 14	48
X1900-12-12	3/4"	20	21.9	27	1.1/16" - 12	55
X1900-16-16	1"	25	23.1	36	1.5/16" - 12	57
X1900-20-20	1.1/4"	32	24.3	46	1.5/8" - 12	61.5
X1900-24-24	1.1/2"	38	27.5	50	1.7/8" - 12	70
X1900-32-32	2"	50	33.9	65	2.1/2" - 12	80

# X5100

## 90° Elbow Union

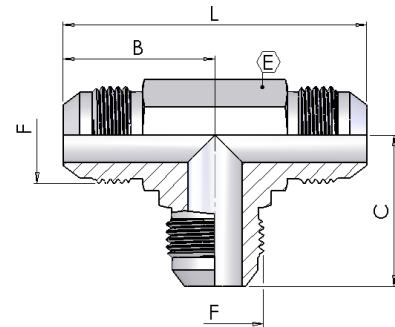


Part number	Ø Tube		Dimensions		
			Hex		F
in	mm	C	E		
X5100-04	1/4"	6	22.5	12	7/16" - 20
X5100-05	5/16"	8	24	13	1/2" - 20
X5100-06	3/8"	10	27	14	9/16" - 18
X5100-08	1/2"	12	31	19	3/4" - 16
X5100-10	5/8"	16	37.5	24	7/8" - 14
X5100-12	3/4"	20	42	24	1.1/16" - 12
X5100-16	1"	25	46	33	1.5/16" - 12
X5100-20	1.1/4"	32	52.5	41	1.5/8" - 12
X5100-24	1.1/2"	38	59	48	1.7/8" - 12



## X5120

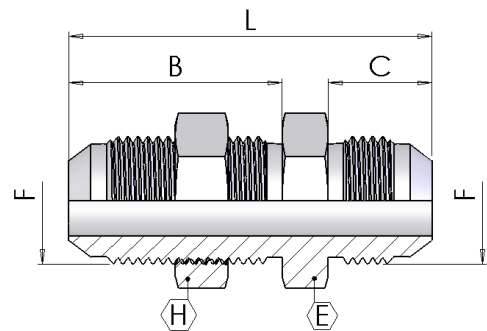
### Union Tee



Part number	Ø Tube		Dimensions				
			B	C	Hex E	F	L
	in	mm					
X5120-04	1/4"	6	22.5	22.5	12	7/16" - 20	45
X5120-05	5/16"	8	24	24	13	1/2" - 20	48
X5120-06	3/8"	10	27	27	14	9/16" - 18	54
X5120-08	1/2"	12	31	31	19	3/4" - 16	62
X5120-10	5/8"	16	37.5	37.5	24	7/8" - 14	75
X5120-12	3/4"	20	42	42	24	1.1/16" - 12	84
X5120-16	1"	25	46	46	33	1.5/16" - 12	92
X5120-20	1.1/4"	32	52.5	52.5	41	1.5/8" - 12	105
X5120-24	1.1/2"	38	59	59	48	1.7/8" - 12	118

## X5110

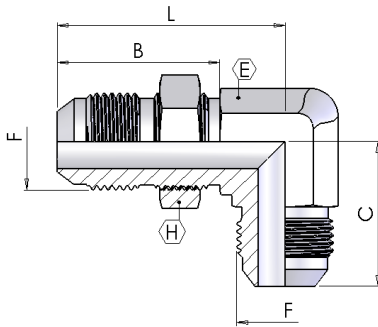
### Straight Bulkhead Union



Part number	Ø Tube		Dimensions					
			B	C	Hex E	F	L	H
	in	mm						
X5110-04	1/4"	6	31.5	14	17	7/16" - 20	52.5	17
X5110-05	5/16"	8	31.5	14	19	1/2" - 20	52.5	19
X5110-06	3/8"	10	33	14	22	9/16" - 18	55.5	22
X5110-08	1/2"	12	37	16.5	24	3/4" - 16	62	24
X5110-10	5/8"	16	40.5	19	30	7/8" - 14	69.5	30
X5110-12	3/4"	20	45	21.5	36	1.1/16" - 12	78.5	36
X5110-16	1"	25	44.4	23.1	41	1.5/16" - 12	80	41
X5110-20	1.1/4"	32	45.7	24.3	50	1.5/8" - 12	84	50
X5110-24	1.1/2"	38	46	27.5	55	1.7/8" - 12	89.5	55

# X5130

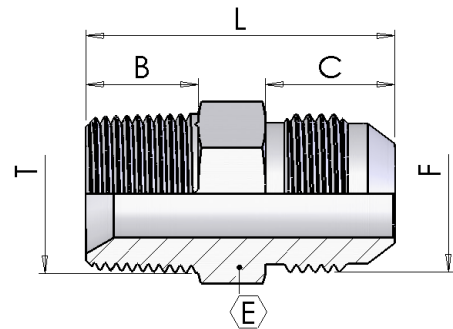
## Bulkhead 90° Elbow Union



Part number	Ø Tube		Dimensions					
			B	C	Hex	F	L	H
	in	mm						
X5130-04	1/4"	6	26	25	11	7/16" - 20	40	17
X5130-05	5/16"	8	26	27	13	1/2" - 20	44	19
X5130-06	3/8"	10	28	28	14	9/16" - 18	46	22
X5130-08	1/2"	12	32	36	19	3/4" - 16	54	24
X5130-10	5/8"	16	35	40	22	7/8" - 14	61	30
X5130-12	3/4"	20	40	45	27	1.1/16" - 12	68	36
X5130-16	1"	25	40	49	41	1.5/16" - 12	71	41
X5130-20	1.1/4"	32	41	55	41	1.5/8" - 12	80	50

# X1906

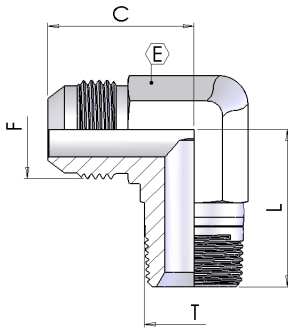
## Male connector NPTF male X JIC male



Part number	Ø Tube		Dimensions					
			Thread			Hex		
	in	mm	T	B	C	E	F	L
X1906-02-04	1/4"	6	1/8"	10	14	12	7/16" - 20	31
X1906-02-05	5/16"	8	1/8"	10	14	14	1/2" - 20	30
X1906-02-06	3/8"	10	1/8"	10	14	17	9/16" - 18	30
X1906-04-04	1/4"	6	1/4"	15	14	17	7/16" - 20	36
X1906-04-05	5/16"	8	1/4"	15	14	17	1/2" - 20	36
X1906-04-06	3/8"	10	1/4"	15	14	17	9/16" - 18	34
X1906-06-06	3/8"	10	3/8"	15.3	14	19	9/16" - 18	34
X1906-06-08	1/2"	12	3/8"	14	17	19	3/4" - 16	39
X1906-06-10	5/8"	16	3/8"	15.3	19.5	24	7/8" - 14	42
X1906-08-04	1/4"	6	1/2"	20	14	22	7/16" - 20	42
X1906-08-06	3/8"	10	1/2"	20	14	22	9/16" - 18	43
X1906-08-08	1/2"	12	1/2"	20	17	22	3/4" - 16	45.7
X1906-08-10	5/8"	16	1/2"	20	19.5	24	7/8" - 14	48
X1906-08-12	3/4"	20	1/2"	20	22	27	1.1/16" - 12	52.2
X1906-12-08	1/2"	12	3/4"	20	17	27	3/4" - 16	47.2
X1906-12-10	5/8"	16	3/4"	20	19.5	27	7/8" - 14	48.2
X1906-12-12	3/4"	20	3/4"	20	22	27	1.1/16" - 12	52.3
X1906-12-16	1"	25	3/4"	20	23	36	1.5/16" - 12	53
X1906-16-12	3/4"	20	1"	25	22	36	1.1/16" - 12	57.5
X1906-16-16	1"	25	1"	25	23	36	1.5/16" - 12	58
X1906-16-20	1.1/4"	32	1"	25	24.3	46	1.5/8" - 12	62
X1906-20-20	1.1/4"	32	1.1/4"	25.5	24.3	46	1.5/8" - 12	62
X1906-24-24	1.1/2"	38	1.1/2"	26	27.5	50	1.7/8" - 12	68
X1906-32-32	2"	50	2"	26	33.9	65	2.1/2" - 12	72

# X5140

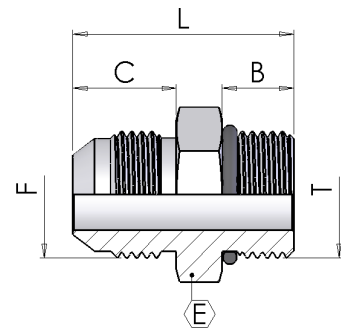
## 90° connector JIC male X NPTF male



Part number	Ø Tube		Dimensions				
			Thread		Hex		
	in	mm	T	C	E	F	L
X5140-02-04	1/4"	6	1/8"	23	11	7/16" - 20	20
X5140-02-05	5/16"	8	1/8"	24	13	1/2" - 20	20
X5140-04-04	1/4"	6	1/4"	28.5	14	7/16" - 20	26.5
X5140-04-05	5/16"	8	1/4"	27	14	1/2" - 20	28
X5140-04-06	3/8"	10	1/4"	27	14	9/16" - 18	25
X5140-06-06	3/8"	10	3/8"	27	14	9/16" - 18	27
X5140-06-08	1/2"	12	3/8"	31	19	3/4" - 16	29.5
X5140-06-10	5/8"	14	3/8"	37.5	24	7/8" - 14	37
X5140-08-06	3/8"	10	1/2"	31	22	9/16" - 18	37
X5140-08-08	1/2"	12	1/2"	31	19	3/4" - 16	34
X5140-08-10	5/8"	15	1/2"	37.5	24	7/8" - 14	38
X5140-08-12	3/4"	18	1/2"	42	24	1.1/16" - 12	38
X5140-12-10	5/8"	16	3/4"	37.5	24	7/8" - 14	41.5
X5140-12-12	3/4"	20	3/4"	42	24	1.1/16" - 12	41.5
X5140-12-16	1"	25	3/4"	46	33	1.5/16" - 12	45
X5140-16-16	1"	25	1"	49	33	1.5/16" - 12	50
X5140-16-20	1.1/4"	32	1"	52	41	1.5/8" - 12	60
X5140-20-20	1.1/4"	32	1-1/4"	52	45	1.5/8" - 12	61
X5140-24-24	1.1/2"	38	1-1/2"	64	50	1.7/8" - 12	59

# X1907

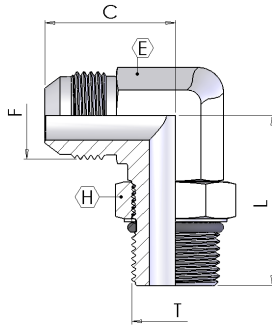
## Male connector JIC male X UNF straight thread



Part number	Ø Tube		Dimensions					
			Thread		Hex			
	in	mm	T	B	C	E	F	L
X1907-04-04	1/4"	6	7/16" - 20	9.2	14	17	7/16" - 20	31
X1907-05-05	5/16"	8	1/2" - 20	9.2	14	17	1/2" - 20	31
X1907-06-06	3/8"	10	9/16" - 18	10	14	19	9/16" - 18	33
X1907-06-08	3/8"	10	3/4" - 14	11	14	24	9/16" - 18	35.5
X1907-08-08	1/2"	12	3/4" - 14	11	17	24	3/4" - 14	38
X1907-08-10	1/2"	12	7/8" - 14	12.7	17	27	3/4" - 14	40
X1907-10-10	5/8"	15	7/8" - 14	12.7	19.5	27	7/8" - 14	43
X1907-10-12	5/8"	16	1.1/16" - 12	15	19.5	32	7/8" - 14	47
X1907-12-12	3/4"	20	1.1/16" - 12	15	22	32	1.1/16" - 12	50
X1907-12-16	3/4"	20	1.5/16" - 12	15	22	41	1.1/16" - 12	51
X1907-16-16	1"	25	1.5/16" - 12	15	23	41	1.5/16" - 12	52
X1907-20-20	1.1/4"	32	1.5/8" - 12	15	24.3	50	1.5/8" - 12	53
X1907-24-24	1.1/2"	38	1.7/8" - 12	15	27.5	55	1.7/8" - 12	56.5

# X5190

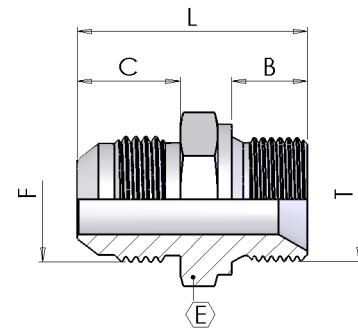
**90° elbow “adjustable”  
connector JIC male X UNF  
straight thread male**



Part number	Ø Tube		Dimensions					
			Thread		Hex		L	H
			T	C	E	F		
X5190-04	1/4"	6	7/16" - 20	23	11	7/16" - 20	26	14
X5190-05	5/16"	8	1/2" - 20	24	13	1/2" - 20	29	16
X5190-06	3/8"	10	9/16" - 18	27	14	9/16" - 18	32	17
X5190-08	1/2"	12	3/4" - 16	32	19	3/4" - 16	37	22
X5190-10	5/8"	16	7/8" - 14	37	22	7/8" - 14	43	27
X5190-12	3/4"	20	1.1/16" - 12	44	27	1.1/16" - 12	49	32
X5190-16	1"	25	1.5/16" - 12	46	33	1.5/16" - 12	52	38
X5190-20	1.1/4"	32	1.5/8" - 12	52	41	1.5/8" - 12	57	50

# X1905

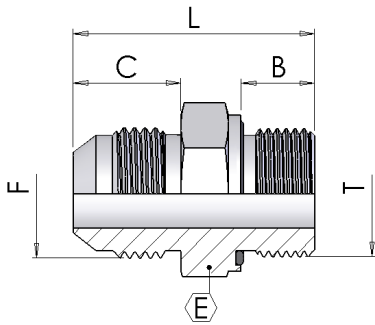
## Connector BSP parallel thread male X JIC male



Part number	Ø Tube		Dimensions					
			Thread	B	C	Hex	F	L
	in	mm	T			E		
X1905-02-04	1/4"	6	1/8"	8	14	14	7/16" - 20	30
X1905-04-04	1/4"	6	1/4"	12	14	19	7/16" - 20	34
X1905-04-05	5/16"	8	1/4"	12	14	19	1/2" - 20	34
X1905-04-06	3/8"	10	1/4"	10	14	19	9/16" - 18	33
X1905-06-05	5/16"	8	3/8"	12	14	22	1/2" - 20	34.5
X1905-06-06	3/8"	10	3/8"	12	14	22	9/16" - 18	34.5
X1905-06-08	1/2"	12	3/8"	12	17	22	3/4" - 16	41
X1905-06-10	5/8"	14	3/8"	12	19.5	24	7/8" - 14	42.5
X1905-08-06	3/8"	10	1/2"	14	14	27	9/16" - 18	40
X1905-08-08	1/2"	12	1/2"	14	17	27	3/4" - 16	40.5
X1905-08-10	5/8"	15	1/2"	14	19.5	27	7/8" - 14	43
X1905-08-12	3/4"	20	1/2"	14	22	27	1.1/16" - 12	50
X1905-12-10	5/8"	14	3/4"	16	19	32	7/8" - 14	46
X1905-12-12	3/4"	20	3/4"	16	22	32	1.1/16" - 12	51
X1905-12-16	1"	25	3/4"	16	23	36	1.5/16" - 12	53
X1905-16-12	3/4"	20	1"	18	22	41	1.1/16" - 12	53
X1905-16-16	1"	25	1"	18	23	41	1.5/16" - 12	53.5
X1905-16-20	1.1/4"	32	1"	18	24.3	46	1.5/8" - 12	55
X1905-20-20	1.1/4"	32	1.1/4"	20	24.3	50	1.5/8" - 12	59
X1905-24-20	1.1/4"	32	1.1/2"	22	24.3	55	1.5/8" - 12	61
X1905-24-24	1.1/2"	38	1.1/2"	22	27.5	55	1.7/8" - 12	64

# X5805

## Male Connector Jic/BSP O'Ring with "ED" seal

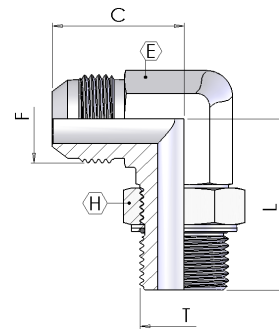


Part number	Ø Tube		Dimensions					
			Thread	B	C	Hex	E	F
	in	mm	T	B	C	E	F	L
X5805-02-04	1/4"	6	1/8-28	8	14	14	7/16-20	30
X5805-04-04	1/4"	6	1/4-19	12	14	19	7/16-20	34
X5805-04-05	5/16"	8	1/4-19	12	14	19	1/2-20	34
X5805-04-06	3/8"	10	1/4-19	10	14	19	9/16-18	33
X5805-04-08	1/2"	12	1/4-19	10	17	22	3/4-16	37
X5805-06-04	1/4"	6	3/8-19	12	14	22	7/16-20	34.5
X5805-06-05	5/16"	8	3/8-19	12	14	22	1/2-20	34.5
X5805-06-06	3/8"	10	3/8-19	10	14	22	9/16-18	36
X5805-06-08	1/2"	12	3/8-19	12	17	22	3/4-16	41
X5805-06-10	5/8"	14-16	3/8-19	12	19.5	24	7/8-14	42.5
X5805-08-06	3/8"	10	1/2-14	14	14	27	9/16-18	40
X5805-08-08	1/2"	12	1/2-14	14	17	27	3/4-16	40.5
X5805-08-10	5/8"	14-16	1/2-14	14	19.5	27	7/8-14	43
X5805-08-12	3/4"	18-20	1/2-14	14	22	27	1.1/16-12	50
X5805-12-08	1/2"	12	3/4-11	16	17	32	3/4-16	46
X5805-12-12	3/4"	18-20	3/4-11	16	22	32	1.1/16-12	51
X5805-12-16	1"	25	3/4-11	16	23	36	1.5/16-12	53
X5805-16-12	3/4"	18-20	1-11	18	22	41	1.1/16-12	53
X5805-16-16	1"	25	1-11	18	23	41	1.5/16-12	53.5
X5805-20-16	1"	25	1.1/4-11	20	23	50	1.5/16-12	57.5
X5805-20-20	1.1/4"	30-32	1.1/4-11	20	24.3	50	1.5/8-12	59
X5805-24-24	1.1/2"	38	1.1/2-11	22	27.5	55	1.7/8-12	64



## X5230

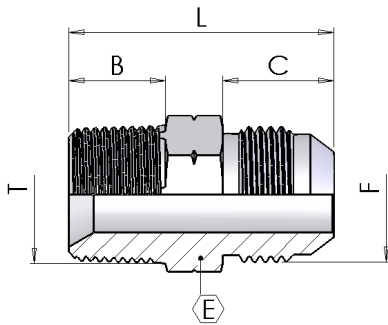
**90° elbow “adjustable”  
connector JIC male X BSP  
straight thread male**



Part number	Ø Tube		Dimensions					
			Thread		Hex			
	in	mm	T	C	E	F	L	H
X5230-02-04	1/4"	6	1/8"	22.6	11	7/16" - 20	26.5	14
X5230-04-04	1/4"	6	1/4"	22.6	14	7/16" - 20	32	19
X5230-04-05	5/16"	8	1/4"	26.6	14	1/2" - 20	32	19
X5230-04-06	3/8"	10	1/4"	26.9	14	9/16" - 18	32	19
X5230-06-06	3/8"	10	3/8"	29	19	9/16" - 18	37	22
X5230-06-08	1/2"	12	3/8"	31.8	19	3/4" - 16	37	22
X5230-08-08	1/2"	12	1/2"	33.8	22	3/4" - 16	43	27
X5230-08-12	3/4"	20	1/2"	42.2	27	1.1/16" - 12	49.5	27
X5230-12-12	3/4"	20	3/4"	42.2	27	1.1/16" - 12	49.5	36
X5230-16-16	1"	25	1"	46	33	1.5/16" - 12	52	41
X5230-20-20	1.1/4"	32	1.1/4"	52.3	41	1.5/8" - 12	57	50
X5230-24-24	1.1/2"	38	1.1/2"	59.2	48	1.7/8" - 12	60.5	55

# X1903

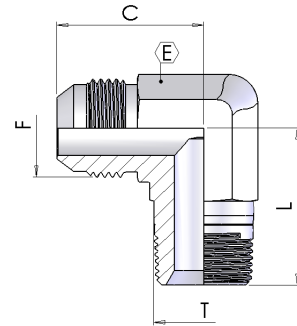
## Male Connector Jic/BSPT



Part number	Ø Tube		Dimensions					
			Thread	B	C	Hex	F	L
	in	mm	T					
X1903-02-04	1/4"	6	1/8"	8	14	12	7/16" - 20	29
X1903-04-04	1/4"	6	1/4"	12	14	14	7/16" - 20	33
X1903-04-05	5/16"	8	1/4"	12	14	14	1/2" - 20	33
X1903-04-06	3/8"	10	1/4"	12	14	17	9/16" - 18	31
X1903-06-05	5/16"	8	3/8"	12	14	19	1/2" - 20	32.7
X1903-06-06	3/8"	10	3/8"	12	14	19	9/16" - 18	30.7
X1903-06-08	1/2"	12	3/8"	12	17	19	3/4" - 16	35.7
X1903-06-10	5/8"	14	3/8"	12	19.5	24	7/8" - 14	38.7
X1903-08-06	3/8"	10	1/2"	14	14	22	9/16" - 18	37
X1903-08-08	1/2"	12	1/2"	14	17	22	3/4" - 16	39.7
X1903-08-10	5/8"	15	1/2"	14	19.5	24	7/8" - 14	42
X1903-08-12	3/4"	20	1/2"	14	22	27	1.1/16" - 12	46.2
X1903-12-12	3/4"	20	3/4"	16	22	37	1.1/16" - 12	48.3
X1903-12-16	1"	25	3/4"	16	23	36	1.5/16" - 12	49
X1903-16-12	3/4"	20	1"	18	22	36	1.1/16" - 12	50.5
X1903-16-16	1"	25	1"	18	23	36	1.5/16" - 12	51
X1903-16-20	1.1/4"	32	1"	18	24.3	46	1.5/8" - 12	55
X1903-20-20	1.1/4"	32	1.1/4"	20	24.3	46	1.5/8" - 12	56.5
X1903-24-20	1.1/4"	32	1.1/2"	22	24.3	50	1.5/8" - 12	60.8
X1903-24-24	1.1/2"	38	1.1/2"	22	27.5	50	1.7/8" - 12	64

# X5165

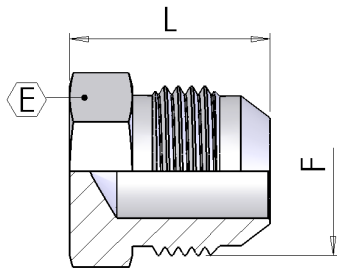
## Male 90° Elbow Jic/BSPT



Part number	Ø Tube		Dimensions					
			Thread		Hex			
	in	mm	T	T	C	E	F	L
X5165-04-04	1/4"	6	1/4-19	1/4-19	27	14	7/16"-20	28
X5165-04-06	3/8"	10	1/4-19	1/4-19	27	14	9/16"-18	28
X5165-06-06	3/8"	10	3/8-19	3/8-19	29	19	9/16"-18	31
X5165-06-08	1/2"	12	3/8-19	3/8-19	32	19	3/4"-16	31
X5165-08-08	1/2"	12	1/2-14	1/2-14	34	22	3/4"-16	37
X5165-12-10	5/8"	14-16	3/4-11	3/4-11	39	27	7/8"-14	40
X5165-12-12	3/4"	18-20	3/4-11	3/4-11	42	27	1.1/16"-12	40
X5165-16-12	3/4"	18-20	1-11	1-11	45	33	1.1/16"-12	50
X5165-16-16	1"	25	1-11	1-11	46	33	1.5/16"-12	50
X5165-20-20	1.1/4"	30-32	1.1/4-11	1.1/4-11	52	41	1.5/8"-12	61
X5165-24-24	1.1/2"	38	1.1/2-11	1.1/2-11	64	50	1.7/8"-12	59

## XJ605

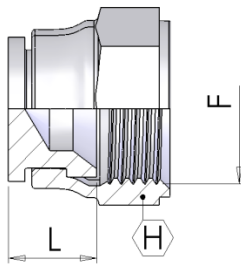
Male plug



Part number	Dimensions		
	Hex		
	E	F	L
XJ605-04	12	7/16" - 20	22
XJ605-05	14	1/2" - 20	20
XJ605-06	15	9/16" - 18	22
XJ605-08	19	3/4" - 16	25
XJ605-10	24	7/8" - 14	27
XJ605-12	27	1.1/16" - 12	32
XJ605-14	32	1.3/16" - 12	33
XJ605-16	34	1.5/16" - 12	33
XJ605-20	46	1.5/8" - 12	36
XJ605-24	50	1.7/8" - 12	43

## XJ608

Female Plug Swivel



Part number	Dimensions		
	F	L	H
XJ608-04	7/16" - 20	10	14
XJ608-05	1/2" - 20	10	17
XJ608-06	9/16" - 18	12	19
XJ608-07	5/8" - 18	12	22
XJ608-08	3/4" - 16	13	24
XJ608-10	7/8" - 14	14	27
XJ608-12	1.1/16" - 12	16	32
XJ608-14	1.3/16" - 12	15	36
XJ608-16	1.5/16" - 12	17	41
XJ608-20	1.5/8" - 12	20	50
XJ608-24	1.7/8" - 12	23	55

## Analytical Index

X0001.....	10	X0902.....	30
X001C.....	8	X0950.....	31
X0002.....	11	X0950H.....	70
X0003.....	12	X0951.....	30
X004H.....	15	X0952.....	31
X004N.....	66	X1000.....	32
X0007.....	13	X1000H.....	71
X0008.....	13	X1001.....	32
X0009.....	14	X1002.....	33
X0013.....	66	X1050H.....	76
X0022.....	9	X1060.....	57
X0035.....	35	X1100H.....	79
X0050H.....	68	X1110.....	60
X0051.....	18	X1150H.....	77
X0052.....	19	X1160.....	58
X0061.....	16	X1200H.....	80
X0062.....	16	X1210.....	61
X0084.....	43	X1250H.....	76
X0084H.....	72	X1260.....	56
X0085.....	38	X1300H.....	78
X0085.....	39	X1310.....	59
X0135.....	36	X1350.....	46
X0150.....	20	X1400.....	25
X0150H.....	68	X1600.....	26
X0151.....	20	X1600-00.....	25
X0152.....	21	X1650.....	47
X0184.....	44	X1700.....	84
X0184H.....	72	X1800.....	85
X0185.....	40	X1865.....	99
X0185.....	40	X1875.....	100
X0235.....	36	X1900.....	160
X0250.....	22	X1903.....	170
X0250H.....	69	X1905.....	167
X0251.....	22	X1906.....	163
X0252.....	23	X1907.....	165
X0284.....	45	X2000.....	87
X0284H.....	73	X2010.....	88
X0285.....	41	X2351.....	92
X0285.....	41	X2451.....	93
X0345.....	15	X3900.....	101
X0350.....	17	X4501.....	93
X0350H.....	67	X4520.....	89
X0360.....	24	X4551.....	94
X0370.....	27	X4570.....	94
X0370H.....	67	X4620.....	99
X0400.....	34	X4701.....	90
X0450.....	42	X4711.....	90
X0450H.....	71	X4721.....	91
X0500.....	37	X4730.....	89
X0550.....	48	X4820.....	95
X0650.....	49	X5000.....	154
X0750.....	50	X5010.....	154
X0850.....	28	X5020.....	155
X0850H.....	69	X5036.....	156
X0900H.....	70	X5055.....	157
X0901.....	29	X5056.....	157
		X5060.....	158
		X5070.....	158

X5080.....	159	XA608 .....	96
X5090.....	159	XBMC1.....	11
X5100.....	160	XBMC2 .....	12
X5110 .....	161	XD050 .....	62
X5120.....	161	XFK50.....	51
X5130.....	162	XJ605.....	172
X5140 .....	164	XJ608.....	172
X5165.....	171	XPTFE .....	14
X5190.....	166	XR605.....	86
X5230 .....	169	XS003.....	58
X5805 .....	168	XS05TH.....	74
X7000.....	125	XS006.....	62
X7020.....	126	XS050.....	53
X7030.....	142	XS050H.....	73
X7130.....	127	XS150.....	54
X7200.....	138	XS150H.....	74
X7200.....	139	XS250 .....	55
X7240.....	140	XS250H.....	75
X7240.....	141	XS350 .....	52
X7250 .....	143	XS350H.....	75
X7250.....	144		
X7260.....	146		
X7260.....	145		
X7270 .....	147		
X7280.....	149		
X7290 .....	148		
X7330 .....	135		
X7340.....	136		
X7350 .....	137		
X7360.....	128		
X7360.....	129		
X7370 .....	130		
X7370 .....	131		
X7370 .....	132		
X7370 .....	133		
X7380.....	134		
X7400.....	107		
X7410.....	108		
X7430.....	109		
X7430.....	110		
X7430.....	111		
X7430.....	112		
X7440.....	113		
X7440.....	114		
X7440.....	115		
X7450.....	116		
X7450.....	117		
X7450.....	118		
X7460.....	119		
X7460.....	120		
X7460.....	121		
X7500.....	122		
X7510.....	123		
X7520 .....	124		
XA105.....	95		
XA106 .....	88		
XA604 .....	97		
XA605.....	98		

## Type Index

45 ° male / female swivel .....	158
45° Metric Standpipe .....	50
45° Metric Swept Elbow 24° Seat Heavy.....	45
45° Metric Swept Elbow 24° Seat Heavy.....	73
45° Metric Swept Elbow 24° Seat Light.....	41
45° Metric Swept Elbow 24° Seat Light Crimped Nut.....	41
45° Metric Swept Elbow 24° Seat Light Multiseal.....	36
45° SAE Flange 3000 PSI.....	58
45° SAE Flange 3000 PSI.....	77
45° SAE Flange 6000 PSI.....	61
45° SAE Flange 6000 PSI.....	80
90° connector BSP male x BSPT male .....	99
90° connector JIC male X NPTF male .....	164
90° elbow "adjustable" .....	166
90° elbow "adjustable" .....	169
90° Elbow Union .....	94
90° Elbow Union .....	160
90° JIC male X JIC female .....	158
90° Metric Standpipe .....	49
90° Metric Swept Elbow 24° Seat Heavy.....	44
90° Metric Swept Elbow 24° Seat Heavy.....	72
90° Metric Swept Elbow 24° Seat Light.....	40
90° Metric Swept Elbow 24° Seat Light Crim. Nut.....	40
90° Metric Swept Elbow 24° Seat Light Multiseal.....	36
90° SAE Flange 3000 PSI .....	57
90° SAE Flange 3000 PSI .....	76
90° SAE Flange 6000 PSI .....	60
90° SAE Flange 6000 PSI .....	79
90° Union Elbow .....	89
Adjustable Elbow BSP/BSP.....	101
Angular rotary fitting .....	135
BSP 45° Swept Elbow 60° Cone Crimped Nut .....	22
BSP 45° Swept Elbow 60° Cone Slip On Nut.....	23

BSP 45° Swept Elbow 60° Cone Thrust Wire.....	69	JIC Female 74° Cone .....	30
BSP 45° Swept Elbow 60° C. Thrust Wire Nut -O-R.	22	JIC Female 74° Cone .....	70
BSP 90° Swept elbow 60° Cone Crimped Nut .....	20	JIC Male 74° Cone .....	28
BSP 90° Swept elbow 60° Cone Slip On Nut .....	21	JIC Male 74° Cone .....	69
BSP 90° Swept Elbow 60° Cone Thrust Wire.....	20	K' Female.....	51
BSP 90° Swept Elbow 60° Cone Thrust Wire.....	68	Male 90° Elbow Jic/BSPT.....	171
BSP Banjo.....	25	Male connector.....	160
BSP Female 60° Cone .....	18	Male Connector BSP/BSPT.....	99
BSP Female 60° Cone .....	19	Male Connector BSP/NPTF .....	100
BSP Female 60° Cone .....	68	Male Connector Jic/BSP O'Ring with "ED" seal.....	168
BSP Female Flat Seal .....	16	Male Connector Jic/BSPT .....	170
BSP Female Flat Seal .....	16	Male connector JIC male X UNF straight thread .....	165
BSP Male - Flat Seat.....	15	Male connector NPTF male X JIC male .....	163
BSP Male Parallel 60° Cone .....	17	Male/female connector.....	87
BSP Male Parallel 60° Cone .....	67	Male plug.....	98
BSP perfored bolt.....	25	Male plug.....	172
BSP Taper Male 60° Cone.....	24	Male Stud Couplings .....	109
Bulkhead 90° Elbow Union.....	127	Male Stud Couplings .....	110
Bulkhead 90° Elbow Union.....	162	Male Stud Couplings .....	111
Bulkhead Union.....	88	Male Stud Couplings .....	112
Connector BSP parallel thread male X JIC male .....	167	Male Stud Couplings .....	113
connector JIC male X BSP straight thread male.....	169	Male Stud Couplings .....	114
connector JIC male X UNF straight thread male .....	166	Male Stud Couplings .....	115
connector swivel.....	158	Male Stud Couplings .....	116
Connector swivel JIC fem. X BSP male-"ED" seal .....	156	Male Stud Couplings .....	117
Crimped Nut.....	18	Male Stud Couplings .....	118
Crimped Nut.....	29	Metric Banjo.....	46
Cut Split Flanges - 3000 psi .....	58	Metric Female 24° Seat Heavy.....	43
Cut Split Flanges - 6000 psi .....	62	Metric Female 24° Seat Heavy.....	72
Cutting Rings .....	108	Metric Female 24° Seat Light.....	38
Double BSP perfored bolt.....	26	Metric Female 24° Seat Light Crimped Nut .....	39
elbow JIC .....	158	Metric Female 24° Seat Light Multiseal .....	35
Equal Elbows .....	124	Metric Male 24° Seat Heavy .....	42
Equal Tees.....	125	Metric Male 24° Seat Heavy .....	71
Female branch tee.....	90	Metric Male 24° Seat Light.....	37
Female branch tee.....	159	Metric Male 60° cone.....	34
Female-Male Reduction .....	88	Metric perfored bolt.....	47
Female Plug .....	97	Metric Standpipe.....	48
Female Plug Swivel .....	96	NPTF Male 60° Cone.....	27
Female Plug Swivel .....	172	NPTF Male 60° Cone.....	67
Female run tee .....	90	Nut .....	154
Female run tee .....	159	Nuts .....	107
Female Stud Couplings .....	143	ORFS 45° Swept Elbow.....	55
Female Stud Couplings .....	144	ORFS 45° Swept Elbow.....	75
Ferrule for PTFE hose .....	14	ORFS 90° Swept Elbow.....	54
Gauge Couplings.....	142	ORFS 90° Swept Elbow.....	74
Hose Junction .....	62	ORFS Female.....	53
Inner hexagon .....	145	ORFS Female.....	73
Inner hexagon .....	146	ORFS Female Back Hexagon.....	74
JIC 45° Swept Elbow 74° Cone - Crimped Nut .....	32	ORFS Male .....	52
JIC 45° Swept Elbow 74° Cone Slip On Nut.....	33	ORFS Male .....	75
JIC 45° Swept Elbow 74° cone Thrust Wire .....	32	Orientable Banjo elbows .....	138
JIC 45° Swept Elbow 74° Cone Thrust Wire.....	71	Orientable Banjo elbows .....	139
JIC 90° Swept Elbow 74° Cone - Crimped Nut .....	30	Pipe plug .....	147
JIC 90° Swept Elbow 74° Cone Slip on Nut .....	31	Pipe plug with O-Ring seal.....	148
JIC 90° Swept Elbow 74° Cone Thrust Wire.....	31	plugPacking ring.....	145
JIC 90° Swept Elbow 74° Cone Thrust Wire.....	70	plugPacking ring.....	146
JIC Female 74° Cone .....	29	Reduced Straight couplings.....	123

Reduction Niple .....	85	Union Tee .....	161
Male-Female reduction with flat seal.....	140	Welding Nipples .....	149
Male-Female reduction with flat seal.....	141	with O'Ring .....	134
Rotary fitting a L .....	137	with O-Ring Seal.....	149
Rotary fitting a Tees .....	136	with O.Ring Seal.....	135
rubber seal .....	112	with O.Ring Seal.....	136
rubber seal .....	113	with O.Ring Seal.....	137
rubber seal .....	114	with seal ring.....	138
rubber seal .....	115	with seal ring.....	139
Short Male-Female Reduction .....	86		
Sleeve for inches tube .....	154		
Sleeve for inches tube .....	155		
Slip on Nut.....	16		
Slip On Nut.....	19		
Slip On Nut.....	30		
Standpipe/Tube Reducers 'L' Series-O.Ring Seal....	130		
Standpipe/Tube Reducers 'L' Series-O.Ring Seal....	131		
Standpipe/Tube Reducers 'S' Series-O.Ring Seal...	132		
Standpipe/Tube Reducers 'S' Series-O.Ring Seal...	133		
Straight Bulkhead Union.....	126		
Straight Bulkhead Union.....	161		
Straight couplings .....	122		
Straight fitting .....	134		
Straight fitting with O'Ring seal .....	128		
Straight fitting with O'Ring seal .....	129		
Straight SAE Flange 3000 PSI .....	56		
Straight SAE Flange 3000 PSI .....	76		
Straight SAE Flange 6000 PSI .....	59		
Straight SAE Flange 6000 PSI .....	78		
Stud Elbows .....	119		
Stud Elbows .....	120		
Stud Elbows .....	121		
Swaged Ferrule (no skive).....	8		
Swaged Ferrule (no skive).....	9		
Swaged Ferrule (no skive).....	11		
Swaged Ferrule (no skive).....	12		
Swaged Ferrule (no skive).....	12		
Swaged Ferrule (no skive).....	13		
Swaged Ferrule (no skive).....	13		
Swaged Ferrule (skive).....	10		
Swaged Ferrule (skive).....	11		
Swaged Ferrule (skive).....	14		
Swaged Ferrule (skive).....	15		
Swaged Ferrule (skive).....	66		
Swaged Ferrule (skive).....	66		
Swivel 90° Elbow.....	93		
Swivel 90° Elbow.....	94		
Swivel Connector .....	92		
Swivel Connector .....	93		
Swivel Female Union Tee .....	91		
Swivel Reduction M/F JIC .....	157		
Swivel Union M/F JIC.....	157		
Thrust Wire .....	68		
Thrust Wire .....	70		
Union .....	84		
Union .....	95		
Union Tee .....	89		
Union Tee .....	95		









**INTERPUMP**  
**FLUID SOLUTIONS** ■■■



**I.M.M. Hydraulics Spa**  
[imm-hydraulics.it](http://imm-hydraulics.it)

Via Italia, 49-51  
66041 - Atessa (Ch) - Italy  
T. +39 (0) 0872 889225  
F. +39 (0) 0872 889226