



INTERPUMP

FLUID SOLUTIONS 

Powered by I.M.M. Hydraulics

Raccordi Inox

2018

Raccordi Inox

Standard tails
Inter-Lock tails
BSP adaptors
DIN adaptors
JIC adaptors

Abbiamo disponibili anche i seguenti cataloghi

Raccordi

Tubo flessibile e accessori

Raccordi one-piece



STANDARD
TAILS



in!



X001C



Swaged Ferrule (no skive)

8

X0022



Swaged Ferrule (no skive)

9

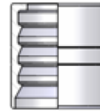
X0001



Swaged Ferrule (skive)

10

X0002



Swaged Ferrule (skive)

11

XBMC1



Swaged Ferrule (no skive)

11

XBMC2



Swaged Ferrule (no skive)

12



X0003



Swaged Ferrule (no skive)

12



X0007



Swaged Ferrule (no skive)

13

X0008



Swaged Ferrule (no skive)

13

XPTFE

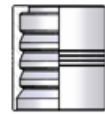


Ferrule for PTFE hose

14



X0009



Swaged Ferrule (skive)

14

X004H



Swaged Ferrule (skive)

15



X0345



BSP Male - Flat Seat

15

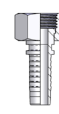
X0061



BSP Female Flat Seal

16

X0062



BSP Female Flat Seal Slip on Nut

16



X0350



BSP Male Parallel 60° cone

17



X0051



BSP Female 60° Cone Crimped Nut

18

X0052



BSP Female 60° Cone Slip On Nut

19

X0151



BSP 90° Swept elbow
60° cone - Crimped
Nut

20

X0150



BSP 90° Swept Elbow
60° cone Thrust Wire

20

X0152



BSP 90° Swept elbow
60° cone Slip On Nut

21

X0251



BSP 45° Swept Elbow
60° Cone - Crimped
Nut

22

X0250



BSP 45° Swept Elbow
60° Cone Thrust Wire
Nut with O-Ring

22

X0252



BSP 45° Swept Elbow
60° Cone Slip On Nut

23



X0360



BSP Taper Male 60°
cone

24



X1400



BSP Banjo

25

X1600-00



BSP perfored bolt

25

X1600



Double BSP perfored
bolt

26



X0370



NPTF Male 60° cone

27



X0850



JIC Male 74° cone

28



X0901



JIC Female 74° cone
Crimped Nut

29

X0902



JIC Female 74° cone
Slip On Nut

30

X0951



JIC 90° Swept Elbow
74° cone - Crimped
Nut

30

X0950



JIC 90° Swept Elbow
74° cone Thrust Wire

31

X0952



JIC 90° Swept Elbow
74° cone Slip on Nut

31

X1001



JIC 45° Swept Elbow
74° Cone - Crimped
Nut

32

X1000



JIC 45° Swept Elbow
74° cone Thrust Wire

32

X1002



JIC 45° Swept Elbow
74° Cone Slip On Nut

33



X0400

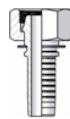


Metric Male 60° cone

34



X0035



Metric Female 24°
Seat Light Multiseal

35

X0135



90° Metric Swept
Elbow 24° Seat Light
Multiseal

36

X0235



45° Metric Swept
Elbow 24° Seat Light
Multiseal

36



X0500



Metric Male 24° Seat
Light

37



X0085



Metric Female 24°
Seat Light

38

X0085



Metric Female 24°
Seat Light Crimped
Nut

39

X0185



90° Metric Swept
Elbow 24° Seat Light

40

X0185



90° Metric Swept
Elbow 24° Seat Light
Crimped Nut

40

X0285



45° Metric Swept
Elbow 24° Seat Light

41

X0285



45° Metric Swept
Elbow 24° Seat Light
Crimped Nut

41



X0450



Metric Male 24° Seat
Heavy

42



X0084



Metric Female 24°
Seat Heavy

43

X0184



90° Metric Swept EL-
bow 24° Seat Heavy

44

X0284



45° Metric Swept EL-
bow 24° Seat Heavy

45



X1350



Metric Banjo

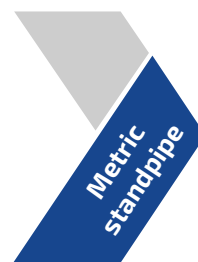
46

X1650



Metric perfored bolt

47



X0550



Metric Standpipe

48

X0650



90° Metric Standpipe

49

X0750



45° Metric Standpipe

50



XFK50



K' Female

51



XS350



ORFS Male

52



XS050



ORFS Female

53

XS150



ORFS 90° Swept Elbow

54

XS250



ORFS 45° Swept Elbow

55



X1260



Straight SAE Flange 3000 PSI

56

X1060



90° SAE Flange 3000 PSI

57

X1160



45° SAE Flange 3000 PSI

58

XS003



Cut Split Flanges - 3000 psi

58



X1310



Straight SAE Flange 6000 PSI

59

X1110



90° SAE Flange 6000 PSI

60

X1210



45° SAE Flange 6000 PSI

61

XS006



Cut Split Flanges - 6000 psi

62



XD050

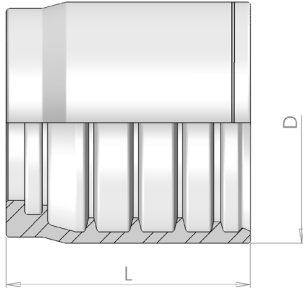


Hose Junction

62

X001C

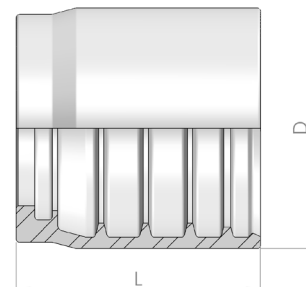
Boccola a Pressare (non skive)



Part number	Hose I.D.		Dimensions		Skive Length
			D	L	
	in	mm			
X001C-03	3/16	4.8	18.5	24	NO
X001C-04	1/4	6.4	20	26	NO
X001C-05	5/16	7.9	22	28	NO
X001C-06	3/8	9.5	25	28	NO
X001C-08	1/2	12.7	28	28	NO
X001C-10	5/8	15.9	32	31	NO
X001C-12	3/4	19	36	38	NO
X001C-16	1	25.4	44	47.5	NO
X001C-20	1.1/4	31.8	54	56	NO
X001C-24	1.1/2	38.1	61.6	66	NO
X001C-32	2	50.8	75.4	73	NO
X001C-40	2.1/2	63.5	88.4	90	NO
X001C48	3	76.2	100.5	90	NO

X0022

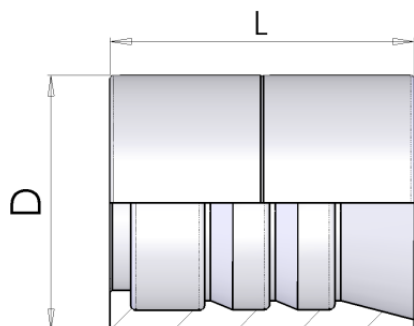
Boccola a Pressare (non skive)



Part number	Hose I.D.		Dimensions		Skive Length
			D	L	
	in	mm			
X0022-03	3/16	4.8	21	25.3	NO
X0022-04	1/4	6.4	22	28	NO
X0022-05	5/16	7.9	24	28	NO
X0022-06	3/8	9.5	26	28	NO
X0022-08	1/2	12.7	30	31	NO
X0022-10	5/8	15.9	34	31	NO
X0022-12	3/4	19	38	38.5	NO
X0022-16	1	25.4	47	47.5	NO
X0022-20	1.1/4	31.8	58	56	NO
X0022-24	1.1/2	38.1	65.6	66	NO
X0022-32	2	50.8	78.6	73	NO

X0001

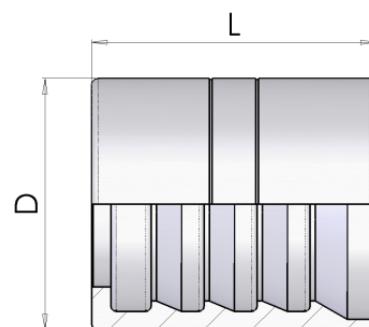
Boccola a Pressare (skive)



Part number	Hose I.D.		Dimensions		Skive Length
			D	L	
	in	mm			
X0001-03	3/16	4.8	17.5	27	20
X0001-04	1/4	6.4	20	30.2	23
X0001-05	5/16	7.9	22	30.7	23
X0001-06	3/8	9.5	24	32	24
X0001-08	1/2	12.7	28.5	34	25
X0001-10	5/8	15.9	32	37	27
X0001-12	3/4	19	36	43	31
X0001-16	1	25.4	43	50	37
X0001-20	1.1/4	31.8	52	57	46
X0001-24	1.1/2	38.1	57	63	44
X0001-32	2	50.8	70.6	78	60

X0002

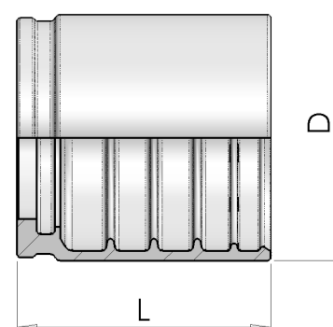
Boccola a Pressare (skive)



Part number	Hose I.D.		Dimensions		Skive Length
			D	L	
	in	mm			
X0002-03	3/16	4.8	20	27	21
X0002-04	1/4	6.4	21	30	22
X0002-05	5/16	7.9	24	30	22
X0002-06	3/8	9.5	25.4	32	24
X0002-08	1/2	12.7	30	34	25
X0002-10	5/8	15.9	34	37	27
X0002-12	3/4	19	38	43	31
X0002-16	1	25.4	46	50	37
X0002-20	1.1/4	31.8	56	59	43
X0002-24	1.1/2	38.1	62	63	45
X0002-32	2	50.8	75	79	61

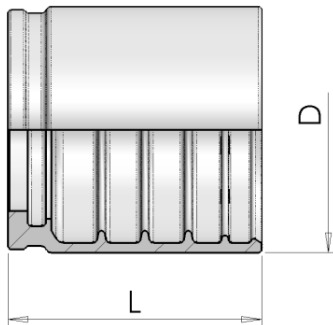
XBMC1

Boccola a Pressare (non skive)



Part number	Hose I.D.		Dimensions		Skive Length
			D	L	
	in	mm			
XBMC1-12	3/4	19	45	41	NO
XBMC1-16	1	25.4	53.5	56	NO
XBMC1-20	1.1/4	31.8	62	62	NO

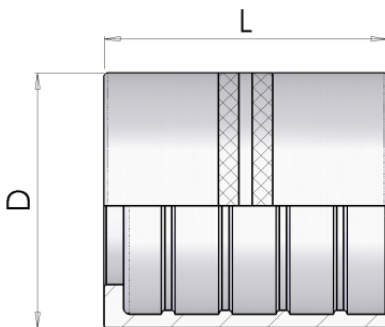
XBMC2



Boccola a Pressare (non skive)

Part number	Hose I.D.		Dimensions		Skive Length
			D	L	
XBMC2-20	1.1/4	31.8	66	62	NO
XBMC2-24	1.1/2	38.1	73.3	70	NO

X0003

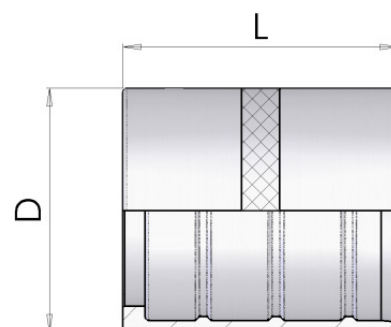


Boccola a Pressare (non skive)

Part number	Hose I.D.		Dimensions		Skive Length
			D	L	
X0003-03	3/16	4.8	14	27	NO
X0003-04	1/4	6.4	19	29	NO
X0003-05	5/16	7.9	22	30	NO
X0003-06	3/8	9.5	24	31	NO
X0003-08	1/2	12.7	28.5	34	NO
X0003-10	5/8	15.9	32	36	NO
X0003-12	3/4	19	38	42	NO
X0003-16	1	25.4	46	50	NO
X0003-20	1.1/4	31.8	52	57	NO

X0007

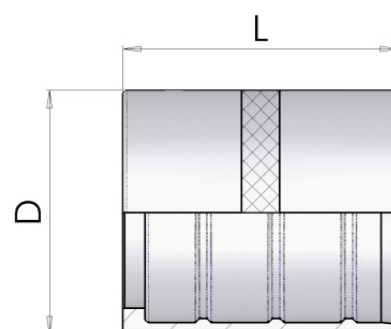
Boccola a Pressare (non skive)



Part number	Hose I.D.		Dimensions		Skive Length
			D	L	
	in	mm			
X0007-03	3/16	4.8	14	27	NO
X0007-04	1/4	6.4	17	29	NO
X0007-05	5/16	7.9	19	30	NO
X0007-06	3/8	9.5	21	31	NO
X0007-08	1/2	12.7	25.4	34	NO
X0007-10	5/8	15.9	28.5	36	NO
X0007-12	3/4	19	32	36	NO
X0007-16	1	25.4	40	50	NO

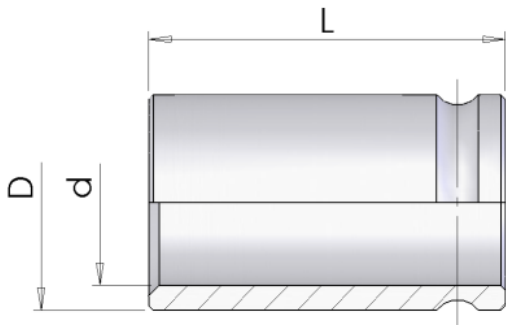
X0008

Boccola a Pressare (non skive)



Part number	Hose I.D.		Dimensions		Skive Length
			D	L	
	in	mm			
X0008-03	3/16	4.8	13	27	NO
X0008-04	1/4	6.4	17	29	NO
X0008-05	5/16	7.9	19	30	NO
X0008-06	3/8	9.5	21.5	31	NO
X0008-08	1/2	12.7	26	34	NO
X0008-10	5/8	15.9	29	40	NO
X0008-12	3/4	19	32	42	NO
X0008-16	1	25.4	40	50	NO

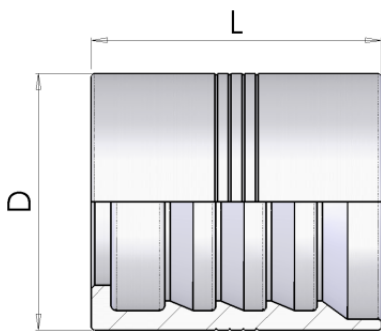
XPTFE



Boccola per tubo PTFE

Part number	Hose I.D.		Dimensions		Skive Length
			D	L	
	in	mm			
XPTFE-03	3/16	4.8	9.5	22	NO
XPTFE-04	1/4	6.4	11.1	23.9	NO
XPTFE-05	5/16	7.9	13	24.6	NO
XPTFE-06	3/8	9.5	15	27.4	NO
XPTFE-08	1/2	12.7	18.3	28.7	NO
XPTFE-10	5/8	15.9	23.1	31.7	NO
XPTFE-12	3/4	19	24.8	34.5	NO
XPTFE-16	1	25.4	34.3	43.6	NO

X0009

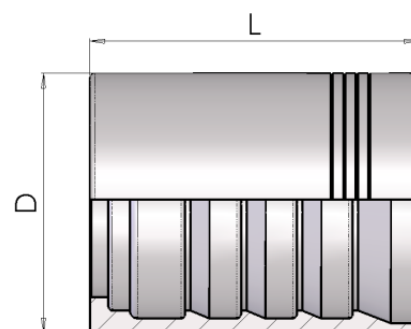


Boccola a Pressare (skive)

Part number	Hose I.D.		Dimensions		Skive Length
			D	L	
	in	mm			
X0009-04	1/4	6.4	15.3	30	22
X0009-06	3/8	9.5	18.3	33.5	26
X0009-08	1/2	12.7	22	36	28
X0009-10	5/8	15.9	25.7	40	31
X0009-12	3/4	19	29.4	43	34
X0009-16	1	25.4	36.1	60	48
X0009-20	1.1/4	31.8	46.7	66	54
X0009-24	1.1/2	38.1	55.7	76.5	62
X0009-32	2	50.8	68.8	79.8	64

X004H

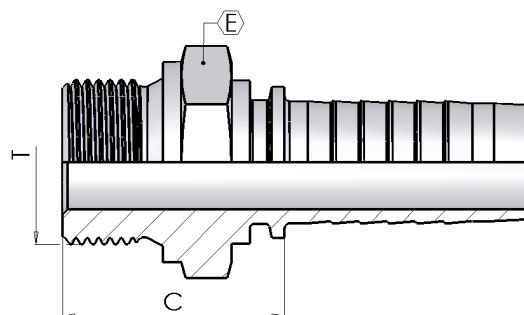
Boccola a Pressare (skive)



Part number	Hose I.D.		Dimensions		Skive Length
			D	L	
	in	mm			
X004H-20	1.1/4	31.8	43	66	55
X004H-24	1.1/2	38.1	50.4	76.5	63
X004H-32	2	50.8	65.5	79.8	65

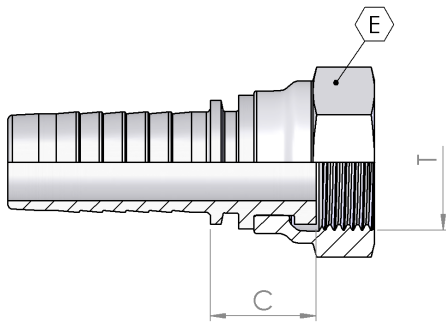
X0345

Maschio BSP - Sede Piana



Part number	Hose I.D.		Dimensions			
			dash	Thread	Cut-Off	Hex
			size	T	C	E
X0345-03-02	3/16	4.8	03	1/8-28	21	14
X0345-04-04	1/4	6.4	04	1/4-19	27	19
X0345-04-06	1/4	6.4	04	3/8-19	28	22
X0345-05-06	5/16	7.9	05	3/8-19	28	22
X0345-06-06	3/8	9.5	06	3/8-19	29	22
X0345-06-08	3/8	9.5	06	1/2-14	32	27
X0345-08-08	1/2	12.7	08	1/2-14	33	27
X0345-08-10	1/2	12.7	08	5/8-14	35	30
X0345-08-12	1/2	12.7	08	3/4-14	35	32
X0345-10-10	5/8	15.9	10	5/8-14	35	30
X0345-10-12	5/8	15.9	10	3/4-14	35	32
X0345-12-12	3/4	19	12	3/4-14	36	32
X0345-12-16	3/4	19	12	1-11	39	41
X0345-16-16	1	25.4	16	1-11	40	41

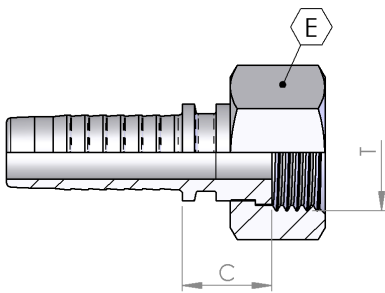
X0061



Femmina BSP Sede Piana

Part number	Hose I.D.		Dimensions			
			dash	Thread	Cut-Off	Hex
	in	mm	size	T	C	E
X0061-08-12	1/2	12.7	08	3/4-14	23	32
X0061-10-10	5/8	15.9	10	5/8-14	16	30
X0061-10-12	5/8	15.9	10	3/4-14	20	32
X0061-12-12	3/4	19	12	3/4-14	21	32
X0061-12-16	3/4	19	12	1-11	23	38
X0061-16-16	1	25.4	16	1-11	22	38
X0061-24-24	1.1/2	38.1	24	1.1/2-11	27	55

X0062

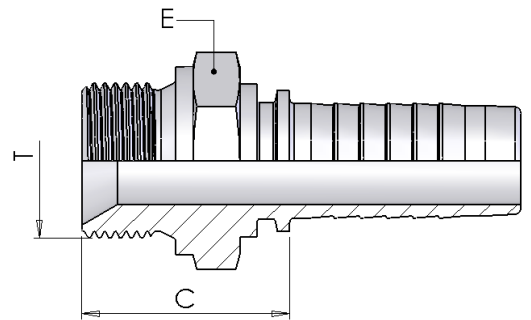


Femmina BSP Sede Piana - Dado Libero

Part number	Hose I.D.		Dimensions			
			dash	Thread	Cut-Off	Hex
	in	mm	size	T	C	E
X0062-04-04	1/4	6.4	04	1/4-19	14	19
X0062-04-06	1/4	6.4	04	3/8-19	15	22
X0062-05-06	5/16	7.9	05	3/8-19	15	22
X0062-06-06	3/8	9.5	06	3/8-19	15	22
X0062-06-08	3/8	9.5	06	1/2-14	16	27
X0062-08-08	1/2	12.7	08	1/2-14	16	27

X0350

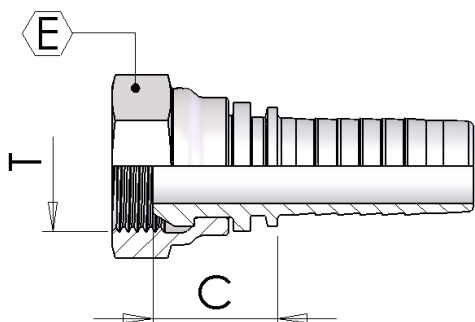
Maschio BSP svas. 60°



Part number	Hose I.D.		Dimensions			
			dash	Thread	Cut-Off	Hex
	in	mm	size	T	C	E
X0350-03-02	3/16	4.8	03	1/8-28	21	14
X0350-03-04	3/16	4.8	03	1/4-19	26	19
X0350-04-02	1/4	6.4	04	1/8-28	21	14
X0350-04-04	1/4	6.4	04	1/4-19	27	19
X0350-04-06	1/4	6.4	04	3/8-19	28	22
X0350-04-08	1/4	6.4	04	1/2-14	35	27
X0350-05-04	5/16	7.9	05	1/4-19	27	19
X0350-05-06	5/16	7.9	05	3/8-19	28	22
X0350-05-08	5/16	7.9	05	1/2-14	32	27
X0350-06-04	3/8	9.5	06	1/4-19	27	19
X0350-06-06	3/8	9.5	06	3/8-19	29	22
X0350-06-08	3/8	9.5	06	1/2-14	32	27
X0350-08-06	1/2	12.7	08	3/8-19	29	22
X0350-08-08	1/2	12.7	08	1/2-14	33	27
X0350-08-10	1/2	12.7	08	5/8-14	34	30
X0350-08-12	1/2	12.7	08	3/4-14	35	32
X0350-10-08	5/8	15.9	10	1/2-14	33	27
X0350-10-10	5/8	15.9	10	5/8-14	35	30
X0350-10-12	5/8	15.9	10	3/4-14	35	32
X0350-12-12	3/4	19	12	3/4-14	36	32
X0350-12-16	3/4	19	12	1-11	39	41
X0350-16-16	1	25.4	16	1-11	40	41
X0350-16-20	1	25.4	16	1.1/4-11	44	50
X0350-20-16	1.1/4	31.8	20	1-11	41	41
X0350-20-20	1.1/4	31.8	20	1.1/4-11	45	50
X0350-20-24	1.1/4	31.8	20	1.1/2-11	46	55
X0350-24-24	1.1/2	38.1	24	1.1/2-11	46	55
X0350-24-32	1.1/2	38.1	24	2-11	54	70
X0350-32-24	2	50.8	32	1.1/2-11	50	65
X0350-32-32	2	50.8	32	2-11	54	70

X0051

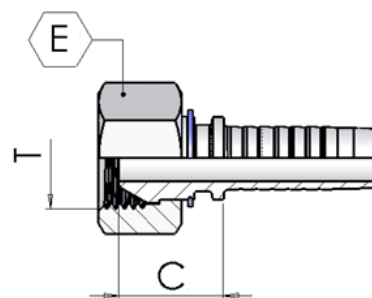
Femmina BSP Cono 60° - Dado Crimpato



Part number	Hose I.D.		Dimensions			
			dash	Thread	Cut-Off	Hex
	in	mm	size	T	C	E
X0051-03-02	3/16	4.8	03	1/8-28	15	14
X0051-04-02	1/4	6.4	04	1/8-28	15	14
X0051-04-08	1/4	6.4	04	1/2-14	22	27
X0051-05-04	5/16	7.9	05	1/4-19	17	19
X0051-06-04	3/8	9.5	06	1/4-19	17	19
X0051-08-06	1/2	12.7	08	3/8-19	20	22
X0051-08-10	1/2	12.7	08	5/8-14	20	30
X0051-08-12	1/2	12.7	08	3/4-14	27	32
X0051-10-08	5/8	15.9	10	1/2-14	23	27
X0051-10-10	5/8	15.9	10	5/8-14	20	30
X0051-10-12	5/8	15.9	10	3/4-14	25	32
X0051-12-08	3/4	19	12	1/2-14	24	27
X0051-12-12	3/4	19	12	3/4-14	25	32
X0051-12-16	3/4	19	12	1-11	26	38
X0051-16-12	1	25.4	16	3/4-14	27	32
X0051-16-16	1	25.4	16	1-11	27	38
X0051-20-20	1.1/4	31.8	20	1.1/4-11	33	50
X0051-24-24	1.1/2	38.1	24	1.1/2-11	33	70
X0051-32-32	2	50.8	32	2-11	54	70

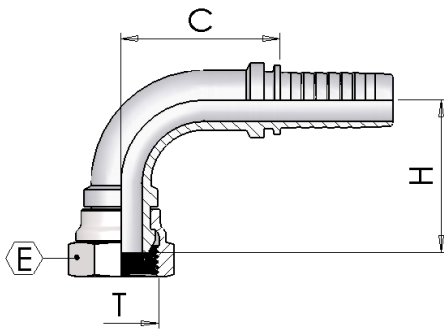
X0052

Femmina BSP Cono 60° - Dado Libero



Part number	Hose I.D.		Dimensions			
			dash	Thread	Cut-Off	Hex
	in	mm	size	T	C	E
X0052-03-04	3/16	4.8	03	1/4-19	17	19
X0052-04-04	1/4	6.4	04	1/4-19	17	19
X0052-04-06	1/4	6.4	04	3/8-19	19	22
X0052-05-06	5/16	7.9	05	3/8-19	19	22
X0052-05-08	5/16	7.9	05	1/2-14	22	27
X0052-06-06	3/8	9.5	06	3/8-19	17	22
X0052-06-08	3/8	9.5	06	1/2-14	22	27
X0052-08-08	1/2	12.7	08	1/2-14	21	27

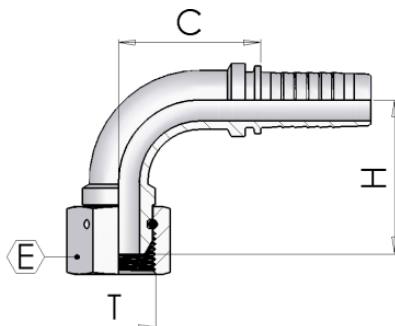
X0151



**Curva BSP 90° Cono 60°
- Dado Crimpato**

Part number	Hose I.D.		Dimensions				
			dash size	Thread T	Cut-Off C	Hex E	Drop H
X0151-03-02	3/16	4,8	03	1/8-28	22	14	23
X0151-04-02	1/4	6.4	04	1/8-28	25	14	25
X0151-05-04	5/16	7.9	05	1/4-19	31	19	31
X0151-06-04	3/8	9.5	06	1/4-19	31	19	33
X0151-08-06	1/2	12.7	08	3/8-19	39	22	42
X0151-08-10	1/2	12.7	08	5/8-14	40	30	41
X0151-08-12	1/2	12.7	08	3/4-14	41	32	46
X0151-10-10	5/8	15.9	10	5/8-14	43	30	43
X0151-10-12	5/8	15.9	10	3/4-14	45	32	50
X0151-12-12	3/4	19	12	3/4-14	58	32	57
X0151-12-16	3/4	19	12	1-11	56	38	60
X0151-16-16	1	25.4	16	1-11	70	38	67

X0150

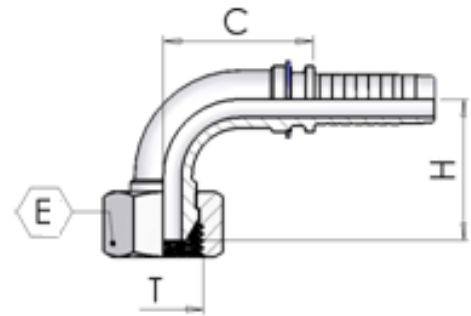


**Curva BSP 90° cono 60°
- Dado Spinato**

Part number	Hose I.D.		Dimensions				
			dash size	Thread T	Cut-Off C	Hex E	Drop H
X0150-20-20	1.1/4	31.8	20	1.1/4-11	86	50	81
X0150-24-24	1.1/2	38.1	24	1.1/2-11	103	55	95
X0150-32-32	2	50.8	32	2-11	122	70	135

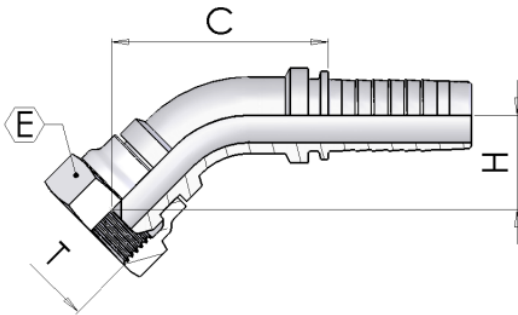
X0152

Curva BSP 90° Cono 60°
- Dado Libero



Part number	Hose I.D.		Dimensions				
			dash size	Thread T	Cut-Off C	Hex E	Drop H
X0152-03-04	3/16	4.8	03	1/4-19	22	19	22
X0152-04-04	1/4	6.4	04	1/4-19	25	17	27
X0152-04-06	1/4	6.4	04	3/8-19	27	22	25
X0152-05-06	5/16	7.9	05	3/8-19	29	22	35
X0152-06-06	3/8	9.5	06	3/8-19	42	22	31
X0152-06-08	3/8	9.5	06	1/2-14	31	27	40
X0152-08-08	1/2	12.7	08	1/2-14	42	27	41

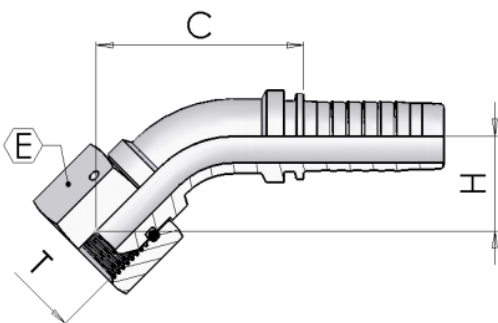
X0251



**Curva 45° BSP Cono 60°
- Dado Crimpato**

Part number	Hose I.D.		Dimensions				
			dash size	Thread T	Cut-Off C	Hex E	Drop H
X0251-03-02	3/16	4.8	03	1/8-28	33	14	15
X0251-04-02	1/4	6.4	04	1/8-28	40	14	14
X0251-05-04	5/16	7.9	05	1/4-19	47	19	16
X0251-06-04	3/8	9.5	06	1/4-19	50	19	16
X0251-08-06	1/2	12.7	08	3/8-19	63	22	22
X0251-08-10	1/2	12.7	08	5/8-14	64	30	21
X0251-08-12	1/2	12.7	08	3/4-14	67	32	26
X0251-10-08	5/8	15.9	10	1/2-14	68	27	24
X0251-10-10	5/8	15.9	10	5/8-14	68	30	23
X0251-10-12	5/8	15.9	10	3/4-14	72	32	27
X0251-12-12	3/4	19	12	3/4-14	86	32	30
X0251-12-16	3/4	19	12	1-11	88	38	32
X0251-16-16	1	25.4	16	1-11	107	38	35

X0250

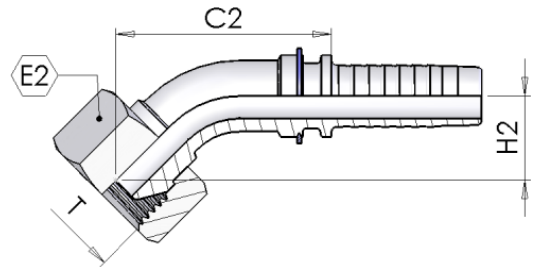


**Curva 45° BSP cono 60° Dado -
Spinato con O-Ring**

Part number	Hose I.D.		Dimensions				
			dash size	Thread T	Cut-Off C	Hex E	Drop H
X0250-20-20	1.1/4	31.8	20	1.1/4-11	107	50	40
X0250-24-24	1.1/2	38.1	24	1.1/2-11	117	55	47
X0250-32-32	2	50.8	32	2-11	142	70	65

X0252

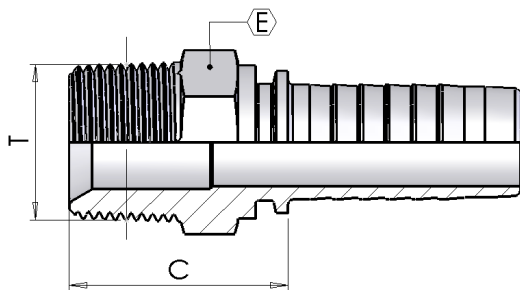
Curva 45° BSP Cono 60° - Dado Libero



Part number	Hose I.D.		Dimensions				
			dash	Thread	Cut-Off	Hex	Drop
	in	mm	size	T	C	E	H
X0252-03-04	3/16	4.8	03	1/4-19	35	19	15
X0252-04-04	1/4	6.4	04	1/4-19	41	19	15
X0252-04-06	1/4	6.4	04	3/8-19	44	22	18
X0252-05-06	5/16	7.9	05	3/8-19	51	22	19
X0252-06-06	3/8	9.5	06	3/8-19	49	22	15
X0252-06-08	3/8	9.5	06	1/2-14	55	27	21
X0252-08-08	1/2	12.7	08	1/2-14	61	27	19

X0360

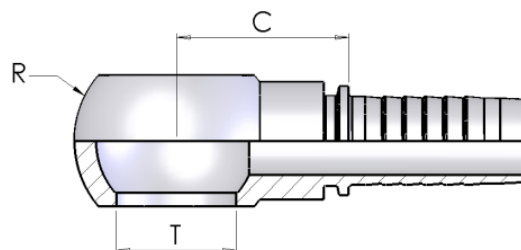
Maschio BSPT svas. 60°



Part number	Hose I.D.		Dimensions			
			dash	Thread	Cut-Off	Hex
	in	mm	size	T	C	E
X0360-03-02	3/16	4.8	03	1/8-28	21	12
X0360-03-04	3/16	4.8	03	1/4-19	27	15
X0360-04-02	1/4	6.4	04	1/8-28	22	12
X0360-04-04	1/4	6.4	04	1/4-19	28	15
X0360-04-06	1/4	6.4	04	3/8-19	28	19
X0360-05-04	5/16	7.9	05	1/4-19	28	15
X0360-05-06	5/16	7.9	05	3/8-19	28	19
X0360-06-04	3/8	9.5	06	1/4-19	28	17
X0360-06-06	3/8	9.5	06	3/8-19	28	19
X0360-06-08	3/8	9.5	06	1/2-14	33	22
X0360-08-06	1/2	12.7	08	3/8-19	29	19
X0360-08-08	1/2	12.7	08	1/2-14	34	22
X0360-08-12	1/2	12.7	08	3/4-14	36	27
X0360-10-08	5/8	15.9	10	1/2-14	34	22
X0360-10-10	5/8	15.9	10	5/8-14	35	24
X0360-10-12	5/8	15.9	10	3/4-14	36	27
X0360-12-12	3/4	19	12	3/4-14	37	27
X0360-12-16	3/4	19	12	1-11	43	36
X0360-16-16	1	25.4	16	1-11	44	36
X0360-16-20	1	25.4	16	1.1/4-11	46	46
X0360-20-20	1.1/4	31.8	20	1.1/4-11	47	46
X0360-20-24	1.1/4	31.8	20	1.1/2-11	49	50
X0360-24-24	1.1/2	38.1	24	1.1/2-11	49	50
X0360-24-32	1.1/2	38.1	24	2-11	55	65
X0360-32-32	2	50.8	32	2-11	55	65

X1400

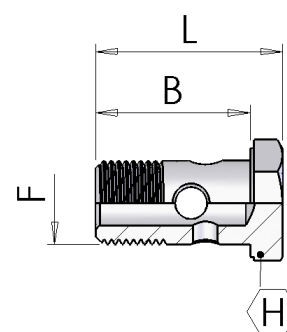
Occhio a Pressare BSP



Part number	Hose I.D.		Dimensions			
			dash		Cut-Off	
	in	mm	size	mm	C	R
X1400-04-04	1/4	6.4	04	13.3	26	24
X1400-04-06	1/4	6.4	04	17	26	28
X1400-05-06	5/16	7.9	05	17	26	28
X1400-06-06	3/8	9.5	06	17	26	28
X1400-06-08	3/8	9.5	06	21.2	31	36
X1400-08-08	1/2	12.7	08	21.2	31	36
X1400-12-12	3/4	19	12	26.5	38	45
X1400-16-16	1	25.4	16	33.5	50	58

X1600-00

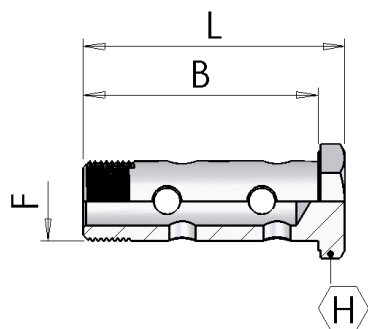
Bullone forato Gas



Part number	Dimensions			
				Drop
	B	F	L	H
X1600-00-02	19	1/8"-28	24	14
X1600-00-04	29	1/4"-19	34	19
X1600-00-06	33	3/8"-19	41	22
X1600-00-08	38	1/2"-14	46	27
X1600-00-12	47	3/4"-14	56	32
X1600-00-16	58	1"-11	69	41

X1600

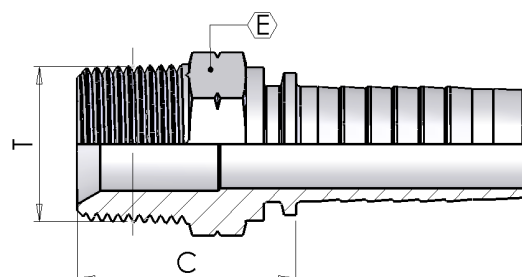
Bullone forato Gas Doppio



Part number	Dimensions			
	B	F	L	Drop
X1600-04-04	43	1/4"-19	49	19
X1600-06-06	49	3/8"-19	57	22
X1600-08-08	62	1/2"-14	70	27
X1600-12-12	78	3/4"-14	87	32
X1600-16-16	98	1"-11	109	41

X0370

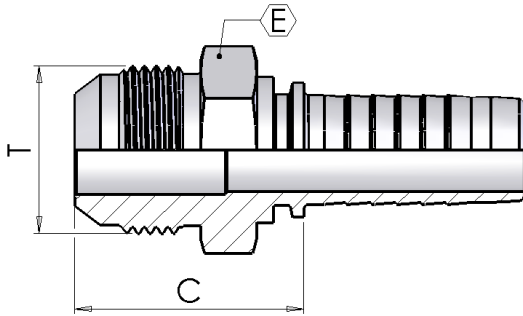
Maschio NPTF svas. 60°



Part number	Hose I.D.		Dimensions			
			dash	Thread	Cut-Off	Hex
	in	mm	size	T	C	E
X0370-03-02	3/16	4.8	03	1/8-27	22	12
X0370-03-04	3/16	4.8	03	1/4-18	27	15
X0370-04-02	1/4	6.4	04	1/8-27	22	12
X0370-04-04	1/4	6.4	04	1/4-18	28	15
X0370-04-06	1/4	6.4	04	3/8-18	28	19
X0370-05-04	5/16	7.9	05	1/4-18	28	15
X0370-05-06	5/16	7.9	05	3/8-18	28	19
X0370-05-08	5/16	7.9	05	1/2-14	34	22
X0370-06-04	3/8	9.5	06	1/4-18	28	17
X0370-06-06	3/8	9.5	06	3/8-18	28	19
X0370-06-08	3/8	9.5	06	1/2-14	34	22
X0370-08-06	1/2	12.7	08	3/8-18	29	19
X0370-08-08	1/2	12.7	08	1/2-14	35	22
X0370-08-12	1/2	12.7	08	3/4-14	36	27
X0370-10-08	5/8	15.9	10	1/2-14	35	24
X0370-10-12	5/8	15.9	10	3/4-14	36	27
X0370-12-08	3/4	19	12	1/2-14	36	24
X0370-12-12	3/4	19	12	3/4-14	37	27
X0370-12-16	3/4	19	12	1-11.1/2	43	36
X0370-16-16	1	25.4	16	1-11.1/2	44	36
X0370-16-20	1	25.4	16	1.1/4-11.1/2	46	46
X0370-20-16	1.1/4	31.8	20	1-11.1/2	45	41
X0370-20-20	1.1/4	31.8	20	1.1/4-11.1/2	47	46
X0370-24-24	1.1/2	38.1	24	1.1/2-11.1/2	49	50
X0370-32-32	2	50.8	32	2-11.1/2	55	65

X0850

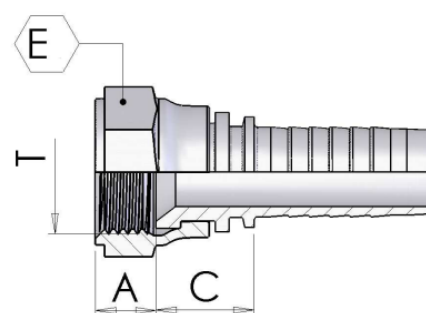
Maschio JIC Cono 74°



Part number	Hose I.D.		Dimensions			
			dash	Thread	Cut-Off	Hex
	in	mm	size	T	C	E
X0850-03-04	3/16	4.8	03	7/16-20	26	12
X0850-04-04	1/4	6.4	04	7/16-20	27	12
X0850-04-05	1/4	6.4	04	1/2-20	27	14
X0850-04-06	1/4	6.4	04	9/16-18	27	15
X0850-05-05	5/16	7.9	05	1/2-20	27	14
X0850-05-06	5/16	7.9	05	9/16-18	27	15
X0850-05-08	5/16	7.9	05	3/4-16	30	19
X0850-06-06	3/8	9.5	06	9/16-18	27	15
X0850-06-07	3/8	9.5	06	5/8-18	30	17
X0850-06-08	3/8	9.5	06	3/4-16	30	19
X0850-06-10	3/8	9.5	06	7/8-14	34	24
X0850-08-06	1/2	12.7	08	9/16-18	28	19
X0850-08-08	1/2	12.7	08	3/4-16	31	19
X0850-08-10	1/2	12.7	08	7/8-14	35	24
X0850-08-12	1/2	12.7	08	1.1/16-12	37	27
X0850-10-10	5/8	15.9	10	7/8-14	35	24
X0850-10-12	5/8	15.9	10	1.1/16-12	37	27
X0850-12-10	3/4	19	12	7/8-14	36	24
X0850-12-12	3/4	19	12	1.1/16-12	38	27
X0850-12-14	3/4	19	12	1.3/16-12	41	32
X0850-12-16	3/4	19	12	1.5/16-12	42	34
X0850-12-20	3/4	19	12	1.5/8-12	45	42
X0850-16-12	1	25.4	16	1.1/16-12	39	27
X0850-16-14	1	25.4	16	1.3/16-12	42	32
X0850-16-16	1	25.4	16	1.5/16-12	43	34
X0850-16-20	1	25.4	16	1.5/8-12	46	42
X0850-20-20	1.1/4	31.8	20	1.5/8-12	47	42
X0850-20-24	1.1/4	31.8	20	1.7/8-12	52	50
X0850-24-24	1.1/2	38.1	24	1.7/8-12	52	50
X0850-32-32	2	50.8	32	2.1/2-12	62	65

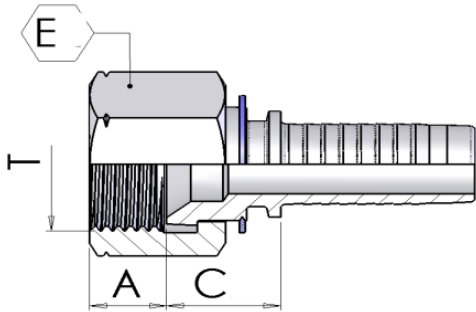
X0901

Femmina JIC svas. 74° Dado Crimpato



Part number	Hose I.D.		Dimensions				
			dash	Thread	Cut-Off		Hex
	in	mm	size	T	C	A	E
X0901-03-04	3/16	4.8	03	7/16-20	14	9	15
X0901-04-04	1/4	6.4	04	7/16-20	14	9	15
X0901-04-07	1/4	6.4	04	5/8-18	17	11	22
X0901-05-05	5/16	7.9	05	1/2-20	15	10	17
X0901-05-07	5/16	7.9	05	5/8-18	17	9	22
X0901-06-04	3/8	9.5	06	7/16-20	15	9	15
X0901-06-05	3/8	9.5	06	1/2-20	15	10	17
X0901-06-06	3/8	9.5	06	9/16-18	16	9	19
X0901-06-07	3/8	9.5	06	5/8-18	16	11	22
X0901-08-08	1/2	12.7	08	3/4-16	18	11	24
X0901-10-10	5/8	15.9	10	7/8-14	19	13	27
X0901-12-10	3/4	19	12	7/8-14	20	13	27
X0901-12-12	3/4	19	12	1.1/16-12	22	14	32
X0901-12-14	3/4	19	12	1.3/16-12	23	14	36
X0901-12-16	3/4	19	12	1.5/16-12	21	16	38
X0901-16-12	1	25.4	16	1.1/16-12	23	14	32
X0901-16-16	1	25.4	16	1.5/16-12	24	16	38

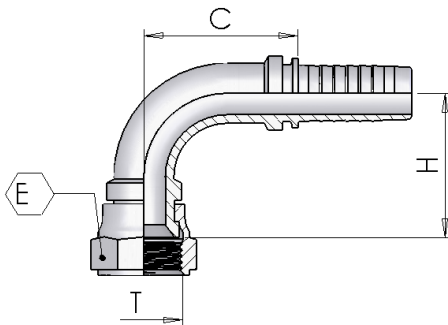
X0902



**Femmina JIC svas. 74°
- Dado Libero**

Part number	Hose I.D.		Dimensions				
			dash	Thread	Cut-Off		Hex
	in	mm	size	T	C	A	E
X0902-04-05	1/4	6.4	04	1/2-20	17	10	17
X0902-04-06	1/4	6.4	04	9/16-18	17	9	19
X0902-05-06	5/16	7.9	05	9/16-18	16	9	19
X0902-06-08	3/8	9.5	06	3/4-16	18	11	22
X0902-08-10	1/2	12.7	08	7/8-14	20	13	27
X0902-10-12	5/8	15.9	10	1.1/16-12	20	14	32

X0951

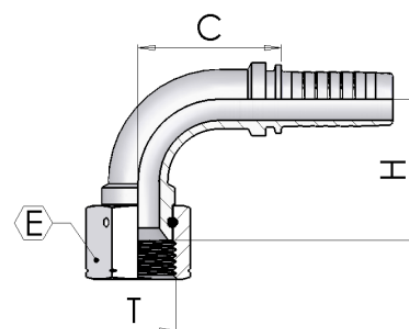


**Curva JIC 90° svas. 74°
- Dado Crimpato**

Part number	Hose I.D.		Dimensions				
			dash	Thread	Cut-Off	Hex	Drop
	in	mm	size	T	C	E	H
X0951-03-04	3/16	4.8	03	7/16-20	22	15	22
X0951-04-04	1/4	6.4	04	7/16-20	25	15	24
X0951-05-05	5/16	7.9	05	1/2-20	29	17	30
X0951-06-05	3/8	9.5	06	1/2-20	33	17	30
X0951-06-06	3/8	9.5	06	9/16-18	31	19	32
X0951-08-08	1/2	12.7	08	3/4-16	41	24	41
X0951-10-10	5/8	15.9	10	7/8-14	43	27	44
X0951-12-16	3/4	19	12	1.5/16-12	56	38	57
X0951-16-16	1	25.4	16	1.5/16-12	70	38	65

X0950

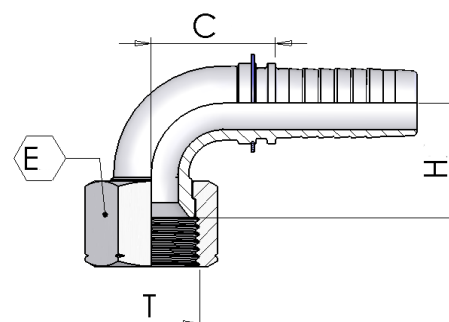
Curva JIC 90° svas. 74°
- Dado Spinato



Part number	Hose I.D.		Dimensions				
			dash	Thread	Cut-Off	Hex	Drop
	in	mm	size	T	C	E	H
X0950-20-20	1.1/4	31.8	20	1.5/8-12	87	50	83
X0950-24-24	1.1/2	38.1	24	1.7/8-12	102	55	97
X0950-32-32	2	50.8	32	2.1/2-12	121	70	134

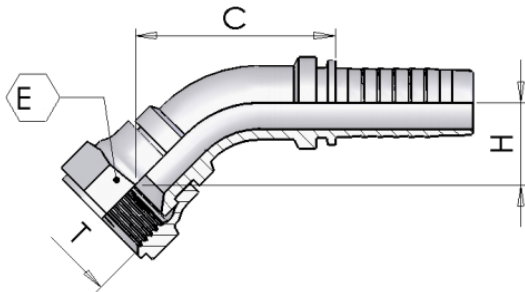
X0952

Curva JIC 90° svas. 74°
- Dado Libero



Part number	Hose I.D.		Dimensions				
			dash	Thread	Cut-Off	Hex	Drop
	in	mm	size	T	C	E	H
X0952-04-05	1/4	6.4	04	1/2-20	27	17	21
X0952-04-06	1/4	6.4	04	9/16-18	26	19	21
X0952-05-06	5/16	7.9	05	9/16-18	25	19	32
X0952-06-08	3/8	9.5	06	3/4-16	35	22	26
X0952-06-10	3/8	9.5	06	7/8-14	33	27	36
X0952-08-10	1/2	12.7	08	7/8-14	40	27	32
X0952-08-12	1/2	12.7	08	1.1/16-12	39	32	43
X0952-10-12	5/8	15.9	10	1.1/16-12	47	32	37
X0952-12-12	3/4	19	12	1.1/16-12	58	32	45

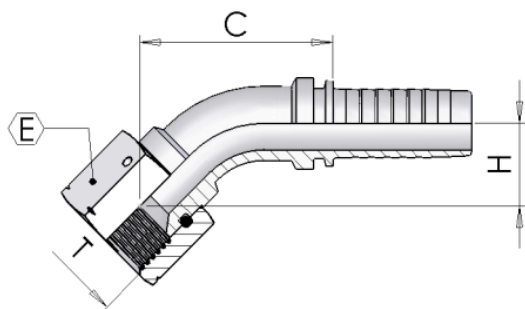
X1001



**Curva JIC 45° svas. 74°
- Dado Crimpato**

Part number	Hose I.D.		Dimensions				
			dash	Thread	Cut-Off	Hex	Drop
	in	mm	size	T	C	E	H
X1001-03-04	3/16	4.8	03	7/16-20	33	15	15
X1001-04-04	1/4	6.4	04	7/16-20	38	15	13
X1001-05-05	5/16	7.9	05	1/2-20	46	17	17
X1001-06-05	3/8	9.5	06	1/2-20	49	17	16
X1001-06-06	3/8	9.5	06	9/16-18	51	19	17
X1001-08-08	1/2	12.7	08	3/4-16	62	24	22
X1001-10-10	5/8	15.9	10	7/8-14	68	27	24
X1001-12-16	3/4	19	12	1.5/16-12	86	38	30
X1001-16-16	1	25.4	16	1.5/16-12	104	38	33

X1000

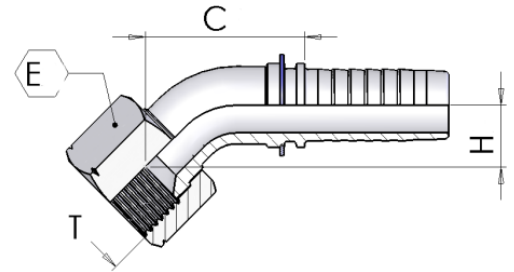


**Curva JIC 45° svas. 74°
- Dado Spinato**

Part number	Hose I.D.		Dimensions				
			dash	Thread	Cut-Off	Hex	Drop
	in	mm	size	T	C	E	H
X1000-20-20	1.1/4	31,8	20	1.5/8-12	108	50	40
X1000-24-24	1.1/2	38,1	24	1.7/8-12	119	55	49
X1000-32-32	2	50,8	32	2.1/2-12	142	70	65

X1002

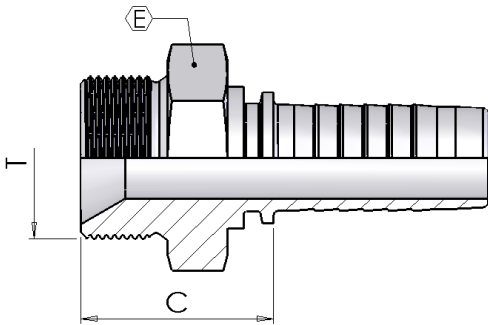
Curva JIC 45° svas. 74°
- Dado Libero



Part number	Hose I.D.		Dimensions				
			dash	Thread	Cut-Off	Hex	Drop
	in	mm	size	T	C	E	H
X1002-04-05	1/4	6.4	04	1/2-20	38	17	11
X1002-04-06	1/4	6.4	04	9/16-18	38	19	11
X1002-05-06	5/16	7.9	05	9/16-18	49	19	20
X1002-06-08	3/8	9.5	06	3/4-16	48	22	13
X1002-06-10	3/8	9.5	06	7/8-14	54	27	21
X1002-08-10	1/2	12.7	08	7/8-14	58	27	16
X1002-08-12	1/2	12.7	08	1.1/16-12	68	32	25
X1002-10-12	5/8	15.9	10	1.1/16-12	66	32	18
X1002-12-12	3/4	19	12	1.1/16-12	81	32	21

X0400

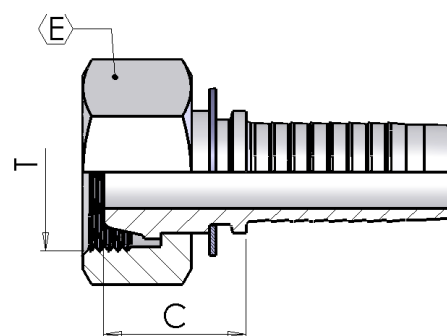
Maschio Metrico Svas.60°



Part number	Hose I.D.		Dimensions			
			dash	Thread	Cut-Off	Hex
	in	mm	size	T	C	E
X0400-03-10	3/16	4.8	03	M10-1	19	14
X0400-03-12	3/16	4.8	03	M12-1.5	25	17
X0400-04-10	1/4	6.4	04	M10-1	20	14
X0400-04-12	1/4	6.4	04	M12-1.5	26	17
X0400-04-14	1/4	6.4	04	M14-1.5	26	19
X0400-04-16	1/4	6.4	04	M16-1.5	26	22
X0400-05-12	5/16	7.9	05	M12-1.5	26	17
X0400-05-16	5/16	7.9	05	M16-1.5	26	22
X0400-05-18	5/16	7.9	05	M18-1.5	26	24
X0400-06-14	3/8	9.5	06	M14-1.5	26	19
X0400-06-16	3/8	9.5	06	M16-1.5	26	22
X0400-06-18	3/8	9.5	06	M18-1.5	27	24
X0400-06-22	3/8	9.5	06	M22-1.5	27	27
X0400-08-18	1/2	12.7	08	M18-1.5	28	24
X0400-08-22	1/2	12.7	08	M22-1.5	30	27
X0400-10-26	5/8	15.9	10	M26-1.5	32	32
X0400-12-26	3/4	19	12	M26-1.5	33	32
X0400-12-30	3/4	19	12	M30-1.5	36	36
X0400-16-38	1	25.4	16	M38-1.5	37	46
X0400-20-45	1.1/4	31.8	20	M45-1.5	39	55

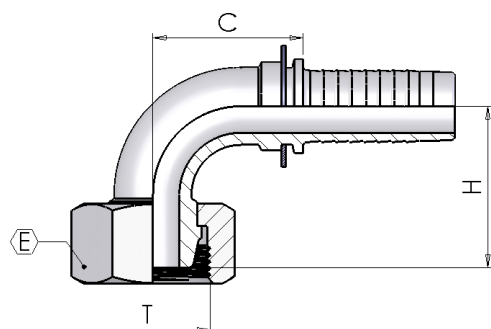
X0035

Femmina Metrica Cono 24° - Serie Leggera Multiseal



Part number	Hose I.D.		Dimensions				
			dash	Thread		Cut-Off	Hex
	in	mm	size	T	Erm	C	E
X0035-03-12	3/16	4.8	03	M12-1.5	6	19	14
X0035-03-16	3/16	4.8	03	M16-1.5	10	18	19
X0035-04-14	1/4	6.4	04	M14-1.5	8	19	17
X0035-04-16	1/4	6.4	04	M16-1.5	10	19	19
X0035-05-16	5/16	7.9	05	M16-1.5	10	19	19
X0035-05-18	5/16	7.9	05	M18-1.5	12	21	22
X0035-06-18	3/8	9.5	06	M18-1.5	12	23	22
X0035-06-22	3/8	9.5	06	M22-1.5	15	22	27
X0035-08-22	1/2	12.7	08	M22-1.5	15	22	27
X0035-08-26	1/2	12.7	08	M26-1.5	18	24	32
X0035-10-26	5/8	15.9	10	M26-1.5	18	24	32

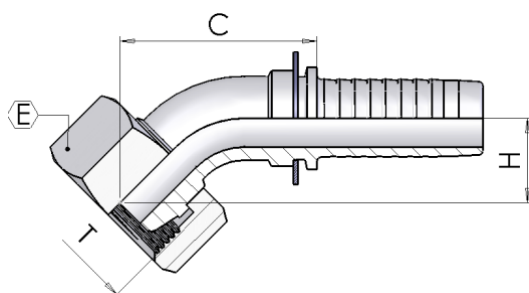
X0135



Curva Metrica 90° Cono 24° - Serie Leggera Multiseal

Part number	Hose I.D.		Dimensions					
			dash	Thread	Erm	Cut-Off	Hex	Drop
			size	T		C	E	H
X0135-04-14	1/4	6.4	04	M14-1.5	8	25	17	25
X0135-04-16	1/4	6.4	04	M16-1.5	10	26	19	24
X0135-05-16	5/16	7.9	05	M16-1.5	10	32	19	29
X0135-05-18	5/16	7.9	05	M18-1.5	12	31	22	30
X0135-06-18	3/8	9.5	06	M18-1.5	12	32	22	33
X0135-06-22	3/8	9.5	06	M22-1.5	15	33	27	34
X0135-08-22	1/2	12.7	08	M22-1.5	15	41	27	38
X0135-10-26	5/8	15.9	10	M26-1.5	18	46	32	42

X0235

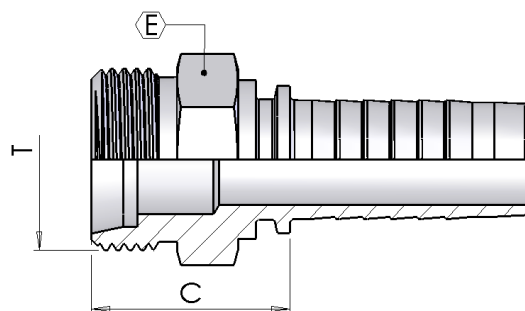


Curva Metrica 45° Cono 24° - Serie Leggera Multiseal

Part number	Hose I.D.		Dimensions					
			dash	Thread	Erm	Cut-Off	Hex	Drop
			size	T		C	E	H
X0235-04-14	1/4	6.4	04	M14-1.5	8	40	17	14
X0235-04-16	1/4	6.4	04	M16-1.5	10	37	19	16
X0235-05-16	5/16	7.9	05	M16-1.5	10	47	19	14
X0235-05-18	5/16	7.9	05	M18-1.5	12	49	22	16
X0235-06-18	3/8	9.5	06	M18-1.5	12	50	22	16
X0235-08-22	1/2	12.7	08	M22-1.5	15	61	27	21

X0500

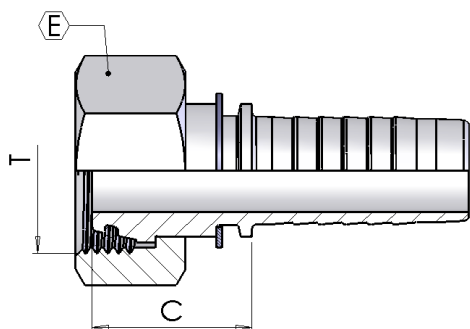
Maschio Metrico svas. 24° - Serie Leggera



Part number	Hose I.D.		Dimensions				
			dash size	Thread T	Erm	Cut-Off C	Hex E
	in	mm					
X0500-03-12	3/16	4.8	03	M12-1.5	6	22	14
X0500-04-12	1/4	6.4	04	M12-1.5	6	23	14
X0500-04-14	1/4	6.4	04	M14-1.5	8	22	14
X0500-04-16	1/4	6.4	04	M16-1.5	10	23	17
X0500-04-18	1/4	6.4	04	M18-1.5	12	24	19
X0500-05-14	5/16	7.9	05	M14-1.5	8	22	14
X0500-05-16	5/16	7.9	05	M16-1.5	10	23	17
X0500-05-18	5/16	7.9	05	M18-1.5	12	24	19
X0500-05-22	5/16	7.9	05	M22-1.5	15	25	22
X0500-06-16	3/8	9.5	06	M16-1.5	10	23	17
X0500-06-18	3/8	9.5	06	M18-1.5	12	24	19
X0500-06-22	3/8	9.5	06	M22-1.5	15	25	22
X0500-08-18	1/2	12.7	08	M18-1.5	12	25	19
X0500-08-22	1/2	12.7	08	M22-1.5	15	26	22
X0500-08-26	1/2	12.7	08	M26-1.5	18	27	27
X0500-10-22	5/8	15.9	10	M22-1.5	15	26	22
X0500-10-26	5/8	15.9	10	M26-1.5	18	27	27
X0500-10-30	5/8	15.9	10	M30-2	22	32	30
X0500-12-26	3/4	19	12	M26-1.5	18	28	27
X0500-12-30	3/4	19	12	M30-2	22	33	30
X0500-16-36	1	25.4	16	M36-2	28	32	36
X0500-20-45	1.1/4	31.8	20	M45-2	35	36	46
X0500-24-52	1.1/2	38.1	24	M52-2	42	38	55

X0085

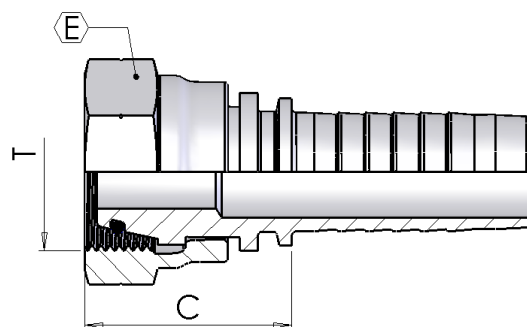
Femmina Metrica cono 24° - Serie Leggera



Part number	Hose I.D.		Dimensions				
			dash	Thread	Erm	Cut-Off	Hex
	in	mm	size	T		C	E
X0085-03-12	3/16	4.8	03	M12-1.5	6	23	14
X0085-04-14	1/4	6.4	04	M14-1.5	8	24	17
X0085-04-16	1/4	6.4	04	M16-1.5	10	24	19
X0085-04-18	1/4	6.4	04	M18-1.5	12	25	22
X0085-05-16	5/16	7.9	05	M16-1.5	10	24	19
X0085-05-18	5/16	7.9	05	M18-1.5	12	25	22
X0085-06-18	3/8	9.5	06	M18-1.5	12	25	22
X0085-06-22	3/8	9.5	06	M22-1.5	15	29	27
X0085-08-22	1/2	12.7	08	M22-1.5	15	29	27
X0085-08-26	1/2	12.7	08	M26-1.5	18	29	32
X0085-10-26	5/8	15.9	10	M26-1.5	18	29	32
X0085-10-30	5/8	15.9	12	M30-2	22	29	36
X0085-12-30	3/4	19	12	M30-2	22	29	36
X0085-12-36	3/4	19	12	M36-2	28	28	41
X0085-16-36	1	25.4	16	M36-2	28	30	41
X0085-20-45	1.1/4	31.8	20	M45-2	35	40	50
X0085-24-52	1.1/2	38.1	24	M52-2	42	41	60

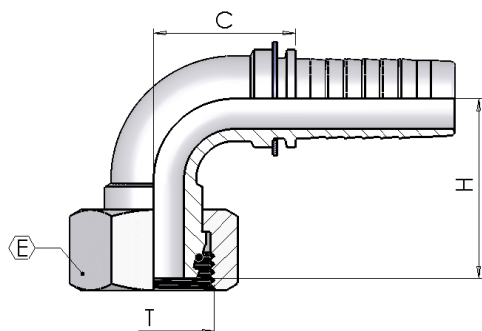
X0085

Femmina Metrica cono 24° - Serie Leggera Dado Crimpato



Part number	Hose I.D.		Dimensions				
			dash	Thread		Cut-Off	Hex
	in	mm	size	T	Erm	C	E
X0085-04-12	1/4	6.4	04	M12-1.5	6	25	14
X0085-05-14	5/16	7.9	05	M14-1.5	8	26	19
X0085-06-16	3/8	9.5	06	M16-1.5	10	25	19
X0085-08-18	1/2	12.7	08	M18-1.5	12	28	24
X0085-10-22	5/8	15.9	10	M22-1.5	15	32	27
X0085-12-26	3/4	19	12	M26-1.5	18	36	32

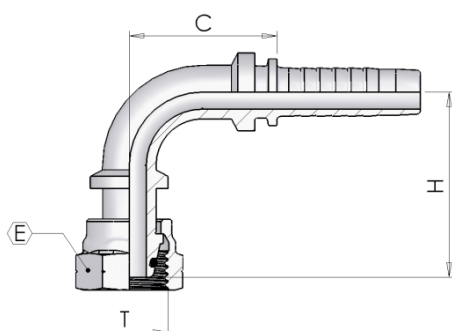
X0185



Curva Metrica 90° cono 24° - Serie Leggera

Part number	Hose I.D.		Dimensions					
			dash	Thread		Cut-Off	Hex	Drop
			size	T	Erm	C	E	H
X0185-03-12	3/16	4.8	03	M12-1.5	6	22	14	23
X0185-04-14	1/4	6.4	04	M14-1.5	8	26	17	26
X0185-04-16	1/4	6.4	04	M16-1.5	10	25	19	27
X0185-04-18	1/4	6.4	04	M18-1.5	12	27	22	30
X0185-05-16	5/16	7.9	05	M16-1.5	10	31	19	31
X0185-05-18	5/16	7.9	05	M18-1.5	12	31	22	32
X0185-06-18	3/8	9.5	06	M18-1.5	12	32	22	35
X0185-06-22	3/8	9.5	06	M22-1.5	15	32	27	35
X0185-08-22	1/2	12.7	08	M22-1.5	15	41	27	38
X0185-08-26	1/2	12.7	08	M26-1.5	18	41	32	39
X0185-10-26	5/8	15.9	10	M26-1.5	18	44	32	44
X0185-12-30	3/4	19	12	M30-2	22	58	36	52
X0185-16-36	1	25.4	16	M36-2	28	72	41	62

X0185

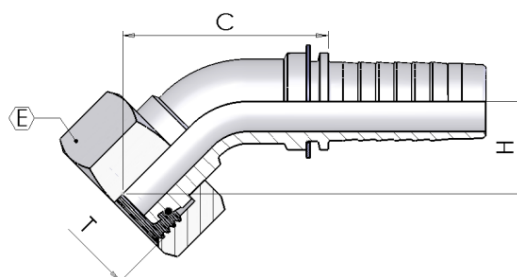


Curva Metrica 90° Cono 24° - Serie Leggera Dado Crimpato

Part number	Hose I.D.		Dimensions					
			dash	Thread		Cut-Off	Hex	Drop
			size	T	Erm	C	E	H
X0185-04-12	1/4	6.4	04	M12-1.5	6	26	14	34
X0185-05-14	5/16	7.9	05	M14-1.5	8	30	17	38
X0185-06-16	3/8	9.5	06	M16-1.5	10	32	19	39
X0185-10-22	5/8	15.9	08	M22-1.5	15	42	27	55

X0285

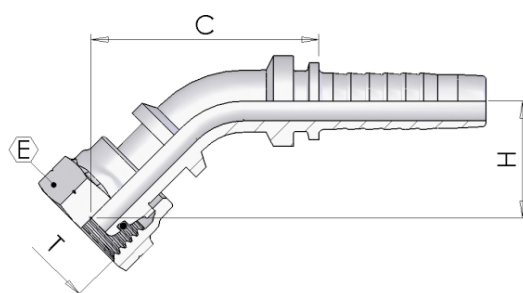
Curva Metrica 45° cono 24° - Serie Leggera



Part number	Hose I.D.		Dimensions					
			dash	Thread		Cut-Off	Hex	Drop
	in	mm	size	T	Erm	C	E	H
X0285-03-12	3/16	4.8	03	M12-1.5	6	36	14	14
X0285-04-14	1/4	6.4	04	M14-1.5	8	42	17	14
X0285-04-16	1/4	6.4	04	M16-1.5	10	42	19	15
X0285-04-18	1/4	6.4	04	M18-1.5	12	43	22	16
X0285-05-16	5/16	7.9	05	M16-1.5	10	48	19	17
X0285-05-18	5/16	7.9	05	M18-1.5	12	48	22	18
X0285-06-18	3/8	9.5	06	M18-1.5	12	52	22	19
X0285-06-22	3/8	9.5	06	M22-1.5	15	51	27	19
X0285-08-22	1/2	12.7	08	M22-1.5	15	63	27	21
X0285-10-26	5/8	15.9	10	M26-1.5	18	68	32	23
X0285-12-30	3/4	19	12	M30-2	22	85	36	27
X0285-16-36	1	25.4	16	M36-2	28	102	41	32

X0285

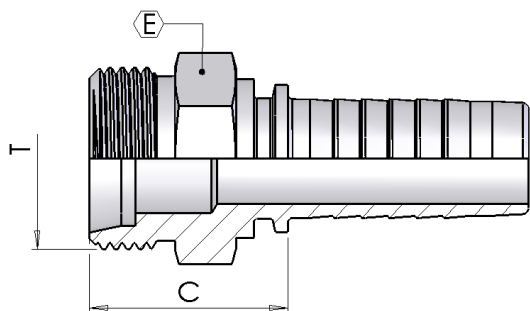
Curva Metrica 45° Cono 24° - Serie Leggera Dado Crimpato



Part number	Hose I.D.		Dimensions					
			dash	Thread		Cut-Off	Hex	Drop
	in	mm	size	T	Erm	C	E	H
X0285-04-12	1/4	6.4	04	M12-1.5	6	46	14	20
X0285-06-16	3/8	9.5	06	M16-1.5	10	55	19	22

X0450

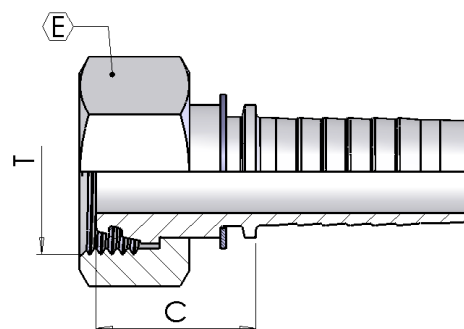
Maschio Metrico svas. 24° - Serie Pesante



Part number	Hose I.D.		Dimensions				
			dash	Thread		Cut-Off	Hex
	in	mm	size	T	Erm	C	E
X0450-03-16	3/16	4.8	03	M16-1.5	8	26	17
X0450-04-14	1/4	6.4	04	M14-1.5	6	25	14
X0450-04-16	1/4	6.4	04	M16-1.5	8	27	17
X0450-04-18	1/4	6.4	04	M18-1.5	10	27	19
X0450-05-18	5/16	7.9	05	M18-1.5	10	27	19
X0450-05-20	5/16	7.9	05	M20-1.5	12	29	22
X0450-06-18	3/8	9.5	06	M18-1.5	10	27	19
X0450-06-20	3/8	9.5	06	M20-1.5	12	29	22
X0450-06-22	3/8	9.5	06	M22-1.5	14	31	22
X0450-06-24	3/8	9.5	06	M24-1.5	16	31	24
X0450-08-24	1/2	12.7	08	M24-1.5	16	32	24
X0450-10-30	5/8	15.9	10	M30-2	20	34	30
X0450-12-30	3/4	19	12	M30-2	20	35	30
X0450-12-36	3/4	19	12	M36-2	25	38	36
X0450-16-36	1	25.4	16	M36-2	25	39	36
X0450-16-42	1	25.4	16	M42-2	30	42	46
X0450-20-42	1.1/4	31.8	20	M42-2	30	43	46
X0450-20-52	1.1/4	31.8	20	M52-2	38	45	55
X0450-24-52	1.1/2	38.1	24	M52-2	38	45	55

X0084

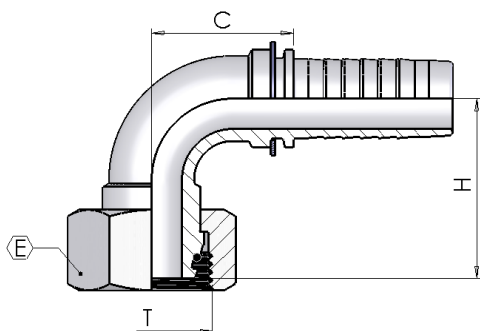
Femmina Metrica cono 24° - Serie Pesante



Part number	Hose I.D.		Dimensions				
			dash size	Thread T	Erm	Cut-Off C	Hex E
X0084-03-16	3/16	4.8	03	M16-1.5	8	25	19
X0084-04-14	1/4	6.4	04	M14-1.5	6	23	17
X0084-04-16	1/4	6.4	04	M16-1.5	8	25	19
X0084-04-18	1/4	6.4	04	M18-1.5	10	24	22
X0084-05-18	5/16	7.9	05	M18-1.5	10	24	22
X0084-05-20	5/16	7.9	05	M20-1.5	12	26	24
X0084-06-16	3/8	9.5	06	M16-1.5	8	26	19
X0084-06-18	3/8	9.5	06	M18-1.5	10	25	22
X0084-06-20	3/8	9.5	06	M20-1.5	12	25	24
X0084-06-22	3/8	9.5	06	M22-1.5	14	29	27
X0084-08-22	1/2	12.7	08	M22-1.5	14	17	27
X0084-08-24	1/2	12.7	08	M24-1.5	16	30	30
X0084-08-30	1/2	12.7	08	M30-2	20	33	36
X0084-10-24	5/8	15.9	10	M24-1.5	16	31	30
X0084-10-30	5/8	15.9	10	M30-2	20	33	36
X0084-12-30	3/4	19	12	M30-2	20	34	36
X0084-12-36	3/4	19	12	M36-2	25	40	46
X0084-16-36	1	25.4	16	M36-2	25	41	46
X0084-16-42	1	25.4	16	M42-2	30	43	50
X0084-20-52	1.1/4	31.8	20	M52-2	38	44	60
X0084-24-52	1.1/2	38.1	24	M52-2	38	44	60

X0184

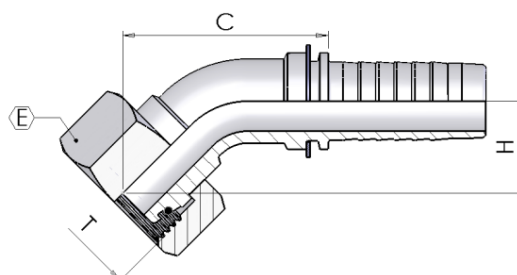
Curva Metrica 90° cono 24° - Serie Pesante



Part number	Hose I.D.		Dimensions					
			dash	Thread		Cut-Off	Hex	Drop
			size	T	Erm	C	E	H
X0184-03-16	3/16	4.8	03	M16-1.5	8	22	19	25
X0184-04-14	1/4	6.4	04	M14-1.5	6	27	17	26
X0184-04-16	1/4	6.4	04	M16-1.5	8	26	19	26
X0184-04-18	1/4	6.4	04	M18-1.5	10	27	22	31
X0184-04-20	1/4	6.4	04	M20-1.5	12	27	24	30
X0184-05-18	5/16	7.9	05	M18-1.5	10	33	22	33
X0184-05-20	5/16	7.9	05	M20-1.5	12	30	24	34
X0184-06-18	3/8	9.5	06	M18-1.5	10	34	22	35
X0184-06-20	3/8	9.5	06	M20-1.5	12	34	24	34
X0184-06-22	3/8	9.5	06	M22-1.5	14	33	27	33
X0184-08-24	1/2	12.7	08	M24-1.5	16	40	30	41
X0184-10-30	5/8	15.9	10	M30-2	20	46	36	50
X0184-12-30	3/4	19	12	M30-2	20	58	36	56
X0184-12-36	3/4	19	12	M36-2	25	56	46	59
X0184-16-36	1	25.4	16	M36-2	25	69	46	67
X0184-16-42	1	25.4	16	M42-2	30	69	50	67
X0184-20-52	1.1/4	31.8	20	M52-2	38	84	60	82
X0184-24-52	1.1/2	38.1	24	M52-2	38	99	60	94

X0284

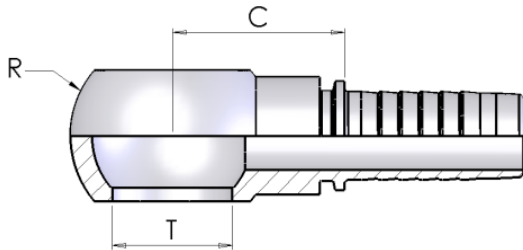
Curva Metrica 45° cono 24° - Serie Pesante



Part number	Hose I.D.		Dimensions					
			dash	Thread		Cut-Off	Hex	Drop
	in	mm	size	T	Erm	C	E	H
X0284-03-16	3/16	4.8	03	M16-1.5	8	36	19	16
X0284-04-14	1/4	6.4	04	M14-1.5	6	37	17	15
X0284-04-16	1/4	6.4	04	M16-1.5	8	42	19	15
X0284-04-18	1/4	6.4	04	M18-1.5	10	45	22	18
X0284-05-20	5/16	7.9	05	M20-1.5	12	49	24	19
X0284-06-18	3/8	9.5	06	M18-1.5	10	51	22	19
X0284-06-20	3/8	9.5	06	M20-1.5	12	53	24	18
X0284-06-22	3/8	9.5	06	M22-1.5	14	54	27	20
X0284-08-24	1/2	12.7	08	M24-1.5	16	63	30	21
X0284-10-30	5/8	15.9	10	M30-2	20	74	36	29
X0284-12-30	3/4	19	12	M30-2	20	87	36	30
X0284-12-36	3/4	19	12	M36-2	25	74	46	31
X0284-16-36	1	25.4	16	M36-2	25	105	46	34
X0284-16-42	1	25.4	16	M42-2	30	82	50	33
X0284-20-52	1.1/4	31.8	20	M52-2	38	105	60	39
X0284-24-52	1.1/2	38.1	24	M52-2	38	157	60	52

X1350

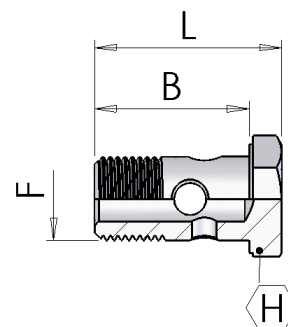
Occhio a Pressare Metrico



Part number	Hose I.D.		Dimensions			
			dash	Hole	Cut-Off	
	in	mm	size	mm	C	R
X1350-03-10	3/16	4.8	03	10.2	25	17
X1350-03-12	3/16	4.8	03	12.2	21	20
X1350-04-10	1/4	6.4	04	10.2	25	17
X1350-04-12	1/4	6.4	04	12.2	22	20
X1350-04-14	1/4	6.4	04	14.2	25	24
X1350-05-14	5/16	7.9	05	14.2	25	24
X1350-05-16	5/16	7.9	05	16.2	31	28
X1350-05-18	5/16	7.9	05	18.2	29	32
X1350-06-14	3/8	9.5	06	14.2	25	24
X1350-06-16	3/8	9.5	06	16.2	31	28
X1350-06-18	3/8	9.5	06	18.2	29	32
X1350-06-22	3/8	9.5	06	22.2	31	36
X1350-08-16	1/2	12.7	08	16.2	30	28
X1350-08-18	1/2	12.7	08	18.2	29	32
X1350-08-22	1/2	12.7	08	22.2	31	36
X1350-10-22	5/8	15.9	10	22.2	31	36
X1350-10-26	5/8	15.9	10	26.2	38	45
X1350-12-22	3/4	19	12	22.2	32	36
X1350-12-26	3/4	19	12	26.2	38	45
X1350-16-30	1	25.4	16	30.2	45	54

X1650

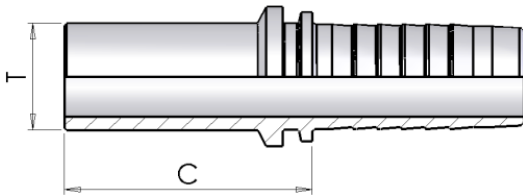
Bullone forato metrico



Part number	Dimensions			Drop
	B	F	L	
X1650-00-12	26	M12 x 1.5	31	17
X1650-00-14	29	M14 x 1.5	34	19
X1650-00-16	33	M16 x 1.5	41	22
X1650-00-18	37	M18 x 1.5	44	24
X1650-00-22	38	M22 x 1.5	46	27
X1650-00-26	47	M26 x 1.5	56	32
X1650-00-30	58	M30 x 1.5	68	36

X0550

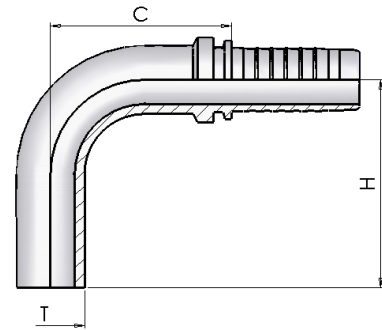
Femmina Metrica Tubolare Diritta



Part number	Hose I.D.		Dimensions			
			dash	pipe		Cut-Off
	in	mm	size	T	Type	C
X0550-03-06	3/16	4.8	03	6	L/S	30
X0550-03-08	3/16	4.8	03	8	L/S	29
X0550-04-06	1/4	6.4	04	6	L/S	32
X0550-04-08	1/4	6.4	04	8	L/S	30
X0550-04-10	1/4	6.4	04	10	L/S	33
X0550-04-12	1/4	6.4	04	12	L/S	30
X0550-05-08	5/16	7.9	05	08	L/S	31
X0550-05-10	5/16	7.9	05	10	L/S	31
X0550-05-12	5/16	7.9	05	12	L/S	33
X0550-06-08	3/8	9.5	06	08	L/S	33
X0550-06-10	3/8	9.5	06	10	L/S	33
X0550-06-12	3/8	9.5	06	12	L/S	32
X0550-06-14	3/8	9.5	06	14	S	37
X0550-06-15	3/8	9.5	06	15	L	32
X0550-08-12	1/2	12.7	08	12	L/S	36
X0550-08-14	1/2	12.7	08	14	S	39
X0550-08-15	1/2	12.7	08	15	L	34
X0550-08-16	1/2	12.7	08	16	S	39
X0550-08-18	1/2	12.7	08	18	L	35
X0550-08-20	1/2	12.7	08	20	S	45
X0550-10-18	5/8	15.9	10	18	L	35
X0550-10-20	5/8	15.9	10	20	S	45
X0550-10-22	5/8	15.9	10	22	L	33
X0550-12-18	3/4	19	12	18	L	37
X0550-12-20	3/4	19	12	20	S	46
X0550-12-22	3/4	19	12	22	L	38
X0550-12-25	3/4	19	12	25	S	49
X0550-12-28	3/4	19	12	28	L	40
X0550-16-25	1	25.4	16	25	S	51
X0550-16-28	1	25.4	16	28	L	41
X0550-16-30	1	25.4	16	30	S	54
X0550-16-38	1	25.4	16	38	S	60
X0550-20-30	1.1/4	31.8	20	30	S	58
X0550-20-35	1.1/4	31.8	20	35	L	48
X0550-20-38	1.1/4	31.8	20	38	S	62
X0550-24-38	1.1/2	38.1	24	38	S	63
X0550-24-42	1.1/2	38.1	24	42	L	50

X0650

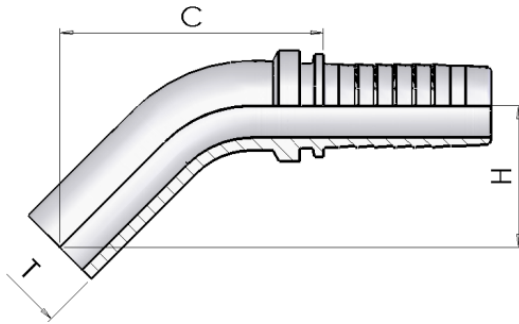
Femmina Metrica Tubolare 90°



Part number	Hose I.D.		Dimensions				
			dash	pipe		Cut-Off	Drop
	in	mm	size	T	Type	C	H
X0650-03-06	3/16	4.8	03	6	L/S	20	32
X0650-04-06	1/4	6.4	04	6	L/S	23	32
X0650-04-08	1/4	6.4	04	8	L/S	25	34
X0650-04-10	1/4	6.4	04	10	L/S	25	43
X0650-05-10	5/16	7.9	05	10	L/S	29	40
X0650-05-12	5/16	7.9	05	12	L/S	29	45
X0650-06-10	3/8	9.5	06	10	L/S	27	40
X0650-06-12	3/8	9.5	06	12	L/S	30	44
X0650-08-14	1/2	12.7	08	14	S	36	46
X0650-08-15	1/2	12.7	08	15	L	39	52
X0650-08-16	1/2	12.7	08	16	S	42	56
X0650-08-18	1/2	12.7	08	18	L	42	56
X0650-10-18	5/8	15.9	10	18	L	42	56
X0650-10-20	5/8	15.9	10	20	S	48	65
X0650-12-20	3/4	19	12	20	S	48	65
X0650-12-22	3/4	19	12	22	L	51	71
X0650-12-25	3/4	19	12	25	S	57	75
X0650-16-25	1	25.4	16	25	S	57	75
X0650-16-28	1	25.4	16	28	L	60	89
X0650-16-30	1	25.4	16	30	S	65	89
X0650-20-30	1.1/4	31.8	20	30	S	66	89
X0650-20-38	1.1/4	31.8	20	38	S	83	102
X0650-24-38	1.1/2	38.1	24	38	S	82	102

X0750

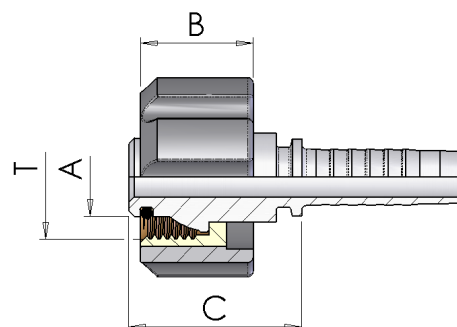
Femm. Metrica Tubolare 45°



Part number	Hose I.D.		Dimensions				
			dash	pipe		Cut-Off	Drop
	in	mm	size	T	Type	C	H
X0750-03-06	3/16	4.8	03	6	L/S	38	25
X0750-04-06	1/4	6.4	04	6	L/S	41	24
X0750-04-08	1/4	6.4	04	8	L/S	43	25
X0750-04-10	1/4	6.4	04	10	L/S	47	30
X0750-05-10	5/16	7.9	05	10	L/S	49	30
X0750-05-12	5/16	7.9	05	12	L/S	53	32
X0750-06-10	3/8	9.5	06	10	L/S	50	33
X0750-06-12	3/8	9.5	06	12	L/S	52	33
X0750-08-14	1/2	12.7	08	14	S	50	27
X0750-08-15	1/2	12.7	08	15	L	55	29
X0750-08-16	1/2	12.7	08	16	S	54	27
X0750-08-18	1/2	12.7	08	18	L	56	29
X0750-10-18	5/8	15.9	10	18	L	56	29
X0750-10-20	5/8	15.9	10	20	S	56	34
X0750-12-20	3/4	19	12	20	S	63	34
X0750-12-22	3/4	19	12	22	L	65	35
X0750-12-25	3/4	19	12	25	S	76	41
X0750-16-25	1	25.4	16	25	S	76	41
X0750-16-28	1	25.4	16	28	L	84	49
X0750-16-30	1	25.4	16	30	S	86	44
X0750-20-30	1.1/4	31.8	20	30	S	88	44
X0750-20-38	1.1/4	31.8	20	38	S	101	50
X0750-24-38	1.1/2	38.1	24	38	S	100	50

XFK50

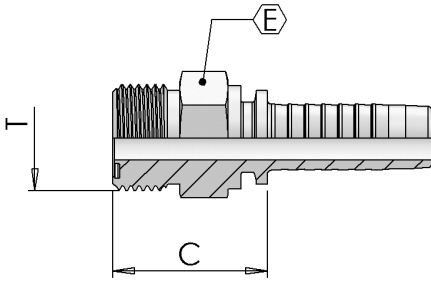
Femmina Tipo 'K' per Idropultrici



Part number	Hose I.D.		Dimensions				
			dash	Thread	Cut-Off		
	in	mm	size	T	C	A	B
XFK50-04-22	1/4	6.4	04	M22-1.5	31	14	20
XFK50-05-22	5/16	7.9	05	M22-1.5	31	14	20
XFK50-06-22	3/8	9.5	06	M22-1.5	31	14	20
XFK50-04022	1/4	6.4	04	M22-1.5	31	14	27
XFK50-05022	5/16	7.9	05	M22-1.5	31	14	27
XFK50-06022	3/8	9.5	06	M22-1.5	31	14	27

XS350

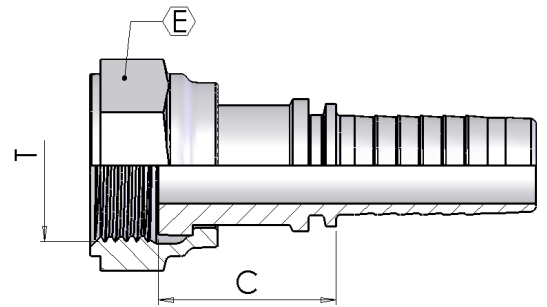
Maschio ORFS



Part number	Hose I.D.		Dimensions			
			dash	Thread	Cut-Off	Hex
	in	mm	size	T	C	E
XS350-04-06	1/4	6.4	04	9/16-18	23	17
XS350-04-09	1/4	6.4	04	11/16-16	21	19
XS350-05-09	5/16	7.9	05	11/16-16	26	19
XS350-06-09	3/8	9.5	06	11/16-16	26	19
XS350-06-11	3/8	9.5	6	13/16-16	29	22
XS350-08-11	1/2	12.7	08	13/16-16	29	22
XS350-08-13	1/2	12.7	08	1-14	34	27
XS350-08-14	1/2	12.7	08	1.3/16-12	35	32
XS350-10-13	5/8	15.9	10	1-14	33	27
XS350-10-14	5/8	15.9	10	1.3/16-12	35	32
XS350-12-14	3/4	19	12	1.3/16-12	36	32
XS350-12-15	3/4	19	12	1.7/16-12	36	38
XS350-16-15	1	25.4	16	1.7/16-12	37	38
XS350-16-21	1	25.4	16	1.11/16-12	38	46
XS350-20-21	1.1/4	31.8	20	1.11/16-12	39	46

XS050

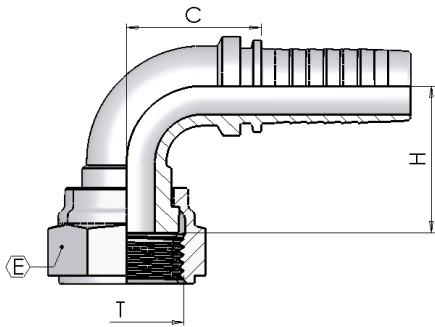
Femmina ORFS



Part number	Hose I.D.		Dimensions			
			dash	Thread	Cut-Off	Hex
	in	mm	size	T	C	E
XS050-04-06	1/4	6.4	04	9/16-18	25	19
XS050-04-09	1/4	6.4	04	11/16-16	29	22
XS050-05-09	5/16	7.9	05	11/16-16	29	22
XS050-06-09	3/8	9.5	06	11/16-16	29	22
XS050-06-11	3/8	9.5	06	13/16-16	30	24
XS050-08-11	1/2	12.7	08	13/16-16	32	24
XS050-08-13	1/2	12.7	08	1-14	35	30
XS050-08-14	1/2	12.7	08	1.3/16-12	37	36
XS050-10-13	5/8	15.9	10	1-14	35	30
XS050-10-14	5/8	15.9	10	1.3/16-12	34	36
XS050-12-13	3/4	19	12	1-14	37	30
XS050-12-14	3/4	19	12	1.3/16-12	35	36
XS050-12-15	3/4	19	12	1.7/16-12	41	41
XS050-16-15	1	25.4	16	1.7/16-12	39	41
XS050-20-21	1.1/4	31.8	20	1.11/16-12	40	50
XS050-24-32	1.1/2	38.1	24	2-12	41	60

XS150

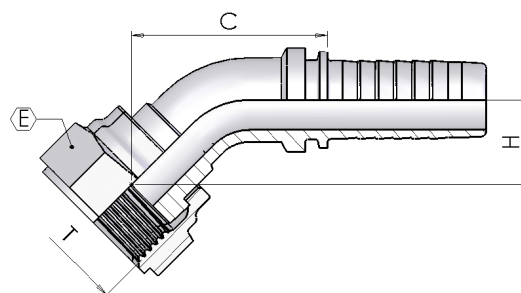
Curva ORFS 90°



Part number	Hose I.D.		Dimensions				
			dash	Thread	Cut-Off	Hex	Drop
	in	mm	size	T	C	E	H
XS150-04-06	1/4	6.4	04	9/16-18	25	19	26
XS150-04-09	1/4	6.4	04	11/16-16	25	22	23
XS150-05-09	5/16	7.9	05	11/16-16	29	22	32
XS150-06-09	3/8	9.5	06	11/16-16	33	22	33
XS150-06-11	3/8	9.5	06	13/16-16	33	24	32
XS150-08-11	1/2	12.7	08	13/16-16	39	24	36
XS150-08-13	1/2	12.7	08	1-14	39	30	40
XS150-08-14	1/2	12.7	08	1.3/16-12	42	36	39
XS150-10-13	5/8	15.9	10	1-14	47	30	39
XS150-12-14	3/4	19	12	1.3/16-12	57	36	49
XS150-12-15	3/4	19	12	1.7/16-12	56	41	51
XS150-16-15	1	25.4	16	1.7/16-12	67	41	62
XS150-20-21	1.1/4	31.8	20	1.11/16-12	86	50	72
XS150-24-32	1.1/2	38.1	24	2-12	103	60	82

XS250

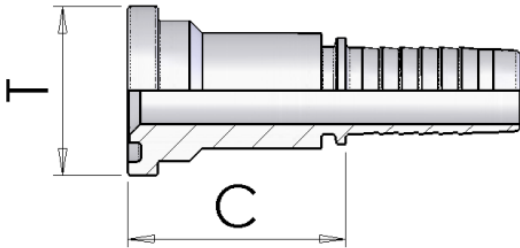
Curva ORFS 45°



Part number	Hose I.D.		Dimensions				
			dash	Thread	Cut-Off	Hex	Drop
	in	mm	size	T	C	E	H
XS250-04-06	1/4	6.4	04	9/16-18	40	19	14
XS250-04-09	1/4	6.4	04	11/16-16	38	22	14
XS250-05-09	5/16	7.9	05	11/16-16	44	22	14
XS250-06-09	3/8	9.5	06	11/16-16	52	22	17
XS250-06-11	3/8	9.5	06	13/16-16	51	24	18
XS250-08-11	1/2	12.7	08	13/16-16	62	24	20
XS250-08-13	1/2	12.7	08	1-14	64	30	23
XS250-08-14	1/2	12.7	08	1.3/16-12	62	36	23
XS250-10-13	5/8	15.9	10	1-14	67	30	22
XS250-12-14	3/4	19	12	1.3/16-12	84	36	23
XS250-12-15	3/4	19	12	1.7/16-12	84	41	26
XS250-16-15	1	25.4	16	1.7/16-12	100	41	31
XS250-20-21	1.1/4	31.8	20	1.11/16-12	111	50	44
XS250-24-32	1.1/2	38.1	24	2-12	123	60	53

X1260

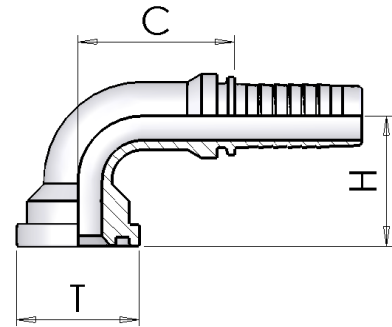
Flangia Diritta SAE 3000 PSI



Part number	Hose I.D.		Dimensions			
			dash size	Flange T	mm	Cut-Off C
	in	mm				
X1260-08-08	1/2	12.7	08	1/2	30,2	45
X1260-08-12	1/2	12.7	08	3/4	38.1	50
X1260-10-08	5/8	15.9	10	1/2	30,2	45
X1260-10-12	5/8	15.9	10	3/4	38.1	49
X1260-12-12	3/4	19	12	3/4	38.1	50
X1260-12-16	3/4	19	12	1	44.5	53
X1260-16-16	1	25.4	16	1	44.5	54
X1260-16-20	1	25.4	16	1.1/4	50.8	57
X1260-20-20	1.1/4	31.8	20	1.1/4	50.8	59
X1260-20-24	1.1/4	31.8	20	1.1/2	60.3	62
X1260-24-24	1.1/2	38.1	24	1.1/2	60.3	62
X1260-24-32	1.1/2	38.1	24	2	71.4	67
X1260-32-32	2	50.8	32	2	71.4	68
X1260-32-40	2	50.8	32	2.1/2	84.1	76

X1060

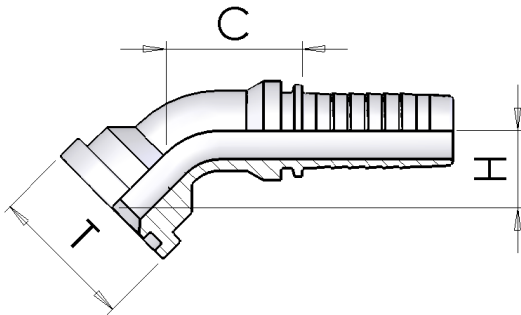
Flangia 90° SAE 3000 PSI



Part number	Hose I.D.		Dimensions				
			dash size	Flange T	mm	Cut-Off C	Drop H
	in	mm					
X1060-08-08	1/2	12.7	08	1/2	30,2	39	39
X1060-08-12	1/2	12.7	08	3/4	38.1	39	44
X1060-10-08	5/8	15.9	10	1/2	30,2	45	42
X1060-10-12	5/8	15.9	10	3/4	38.1	45	47
X1060-12-12	3/4	19	12	3/4	38.1	56	53
X1060-12-16	3/4	19	12	1	44.5	56	58
X1060-16-16	1	25.4	16	1	44.5	70	65
X1060-16-20	1	25.4	16	1.1/4	50.8	70	70
X1060-16-24	1	25.4	16	1.1/2	60.3	72	71
X1060-20-16	1.1/4	31.8	20	1	44.5	81	77
X1060-20-20	1.1/4	31.8	20	1.1/4	50.8	86	77
X1060-20-24	1.1/4	31.8	20	1.1/2	60.3	85	81
X1060-24-24	1.1/2	38.1	24	1.1/2	60.3	98	89
X1060-24-32	1.1/2	38.1	24	2	71.4	93	97
X1060-32-32	2	50.8	32	2	71.4	123	121

X1160

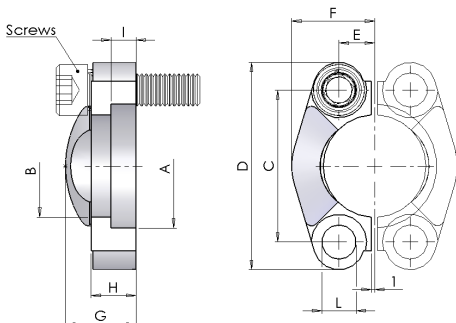
Flangia 45° SAE 3000 PSI



Part number	Hose I.D.		Dimensions				
			dash	Flange		Cut-Off	Drop
			size	T	mm	C	H
X1160-08-08	1/2	12.7	08	1/2	30,2	62	22
X1160-08-12	1/2	12.7	08	3/4	38.1	67	25
X1160-12-12	3/4	19	12	3/4	38.1	69	27
X1160-12-16	3/4	19	12	1	44.5	88	30
X1160-16-16	1	25.4	16	1	44.5	82	33
X1160-16-20	1	25.4	16	1.1/4	50.8	108	37
X1160-20-20	1.1/4	31.8	20	1.1/4	50.8	102	38
X1160-20-24	1.1/4	31.8	20	1.1/2	60.3	129	39
X1160-24-24	1.1/2	38.1	24	1.1/2	60.3	114	44
X1160-24-32	1.1/2	38.1	24	2	71.4	148	47
X1160-32-32	2	50.8	32	2	71.4	130	58

XS003

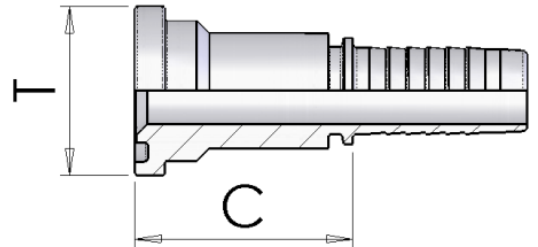
Semiflange tagliate - 3000 psi



Part number	Dimensions										Drop	Sae SIZE
	A	B	C	D	E	F	G	I	L	H		
	XS003-08	30.96	24.3	38.1	54	8.7	22.8	19	6.2	8.8		
XS003-12	38.89	32.1	47.6	65	11.1	25.9	22	6.2	10.8	14	3/4"	
XS003-16	45.24	38.5	52.4	70	13.1	29.2	24	7.5	10.8	16	1"	
XS003-20	51.59	43.7	58.7	79	15.1	36.3	22	7.5	12	14	1"1/4	
XS003-24	61.09	50.8	69.9	94	17.9	41.1	25	7.5	13.5	16	1"1/2	
XS003-32	72.24	62.7	77.8	102	21.4	48.2	26	9	13.5	16	2"	

X1310

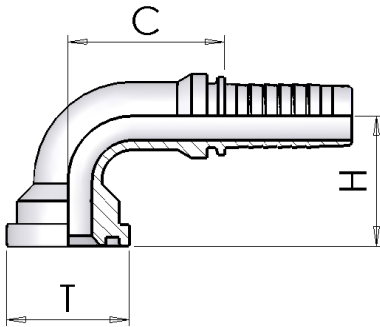
Flangia Diritta SAE 6000 PSI



Part number	Hose I.D.		Dimensions			
			dash	Flange		Cut-Off
	in	mm	size	T	mm	C
X1310-08-08	1/2	12.7	08	1/2	31,8	46
X1310-08-12	1/2	12.7	08	3/4	41.3	53
X1310-10-08	5/8	15.9	10	1/2	31,8	46
X1310-10-12	5/8	15.9	10	3/4	41.3	53
X1310-10-16	5/8	15.9	10	1	47.6	59
X1310-12-12	3/4	19	12	3/4	41.3	54
X1310-12-16	3/4	19	12	1	47.6	60
X1310-16-12	1	25.4	16	3/4	41.3	55
X1310-16-16	1	25.4	16	1	47.6	61
X1310-16-20	1	25.4	16	1.1/4	54	68
X1310-20-20	1.1/4	31.8	20	1.1/4	54	70
X1310-20-24	1.1/4	31.8	20	1.1/2	63.5	76
X1310-24-24	1.1/2	38.1	24	1.1/2	63.5	76
X1310-24-32	1.1/2	38.1	24	2	79.4	85
X1310-32-32	2	50.8	32	2	79.4	85

X1110

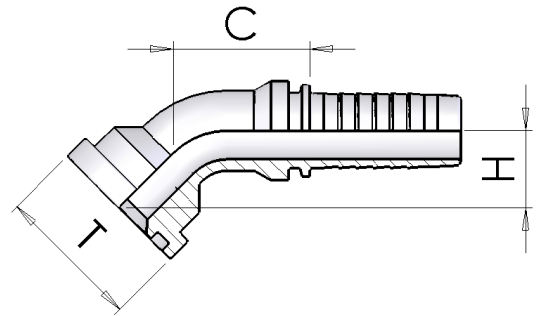
Flangia 90° SAE 6000 PSI



Part number	Hose I.D.		Dimensions				
			dash size	Flange T	mm	Cut-Off C	Drop H
	in	mm					
X1110-08-08	1/2	12.7	08	1/2	31.8	39	39
X1110-08-12	1/2	12.7	08	3/4	41.3	39	48
X1110-10-08	5/8	15.9	10	1/2	31.8	45	42
X1110-10-12	5/8	15.9	10	3/4	41.3	44	52
X1110-10-16	5/8	15.9	10	1	47.6	45	56
X1110-12-08	3/4	19	12	1/2	32	56	54
X1110-12-12	3/4	19	12	3/4	41.3	56	55
X1110-12-16	3/4	19	12	1	47.6	56	63
X1110-16-12	1	25.4	16	3/4	41.3	68	64
X1110-16-16	1	25.4	16	1	47.6	70	69
X1110-16-20	1	25.4	16	1.1/4	54	71	74
X1110-20-20	1.1/4	31.8	20	1.1/4	54	97	83
X1110-20-24	1.1/4	31.8	20	1.1/2	63.5	97	90
X1110-24-24	1.1/2	38.1	24	1.1/2	63.5	102	99
X1110-24-32	1.1/2	38.1	24	2	79.4	103	108
X1110-32-32	2	50.8	32	2	79.4	125	136

X1210

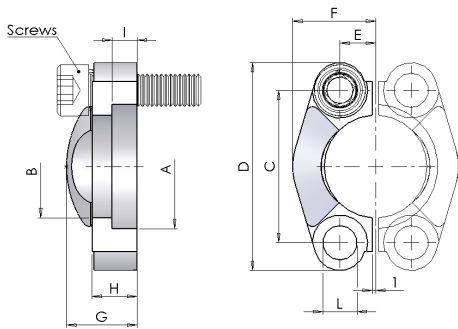
Flangia 45° SAE 6000 PSI



Part number	Hose I.D.		Dimensions				
			dash	Flange		Cut-Off	Drop
	in	mm	size	T	mm	C	H
X1210-08-08	1/2	12.7	08	1/2	31.8	62	22
X1210-08-12	1/2	12.7	08	3/4	41.3	69	28
X1210-10-08	5/8	15.9	10	1/2	31.8	66	21
X1210-10-12	5/8	15.9	10	3/4	41.3	75	27
X1210-10-16	5/8	15.9	10	1	47.6	77	32
X1210-12-12	3/4	19	12	3/4	41.3	74	28
X1210-12-16	3/4	19	12	1	47.6	90	32
X1210-16-12	1	25.4	16	3/4	41.3	101	30
X1210-16-16	1	25.4	16	1	47.6	86	34
X1210-16-20	1	25.4	16	1.1/4	54	112	41
X1210-20-20	1.1/4	31.8	20	1.1/4	54	107	43
X1210-20-24	1.1/4	31.8	20	1.1/2	63.5	149	48
X1210-24-24	1.1/2	38.1	24	1.1/2	63.5	122	50
X1210-24-32	1.1/2	38.1	24	2	79.4	163	66
X1210-32-32	2	50.8	32	2	79.4	145	68

XS006

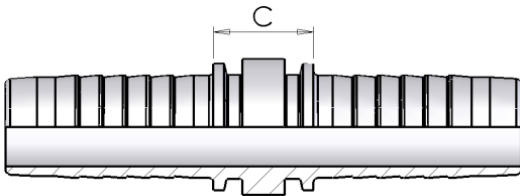
Semiflange tagliate - 6000 psi



Part number	Dimensions										Sae SIZE
	A	B	C	D	E	F	G	I	L	H	
XS006-08	32.54	24.6	40.5	56	9.1	23.6	22	7.2	8.8	16	1/2"
XS006-12	42.06	32.5	50.8	71	11.9	30	28	8.3	11	19	3/4"
XS006-16	48.41	38.9	57.2	81	13.9	34.8	33	9	13	24	1"
XS006-20	54.76	44.5	66.7	95	15.9	38.6	38	9.8	15	27	1"1/4
XS006-24	64.29	51.6	79.4	113	18.3	47.5	43	12.1	17	30	1"1/2
XS006-32	80.16	67.6	96.8	133	22.2	56.9	52	12.1	21	37	2"

XD050

Giunzione per Tubi Flessibili



Part number	Hose I.D.		Dimensions	
			dash	Cut-Off
	in	mm	size	C
XD050-03	3/16	4.8	03	17
XD050-04	1/4	6.4	04	17
XD050-05	5/16	7.9	05	17
XD050-06	3/8	9.5	06	17
XD050-08	1/2	12.7	08	18
XD050-10	5/8	15.9	10	18
XD050-12	3/4	19	12	19
XD050-16	1	25.4	16	21
XD050-20	1.1/4	31.8	20	24
XD050-24	1.1/2	38.1	24	24
XD050-32	2	50.8	32	26



INTER-LOCK
TAILS





X004N



Swaged Ferrule
(skive)

66

X0013



Swaged Ferrule
(skive)

66



X0370H



NPTF Male 60° cone

67



X0350H



BSP Male Parallel 60°
cone

67

X0050H



BSP Female 60° cone
Thrust Wire

68

X0150H



BSP 90° Swept Elbow
60° cone Thrust Wire

68

X0250H



BSP 45° Swept Elbow
60° cone Thrust Wire

69



X0850H



JIC Male 74° cone

69



X0900H



JIC Female 74° cone
Thrust Wire

70

X0950H



JIC 90° Swept Elbow
74° cone Thrust Wire

70

X1000H



JIC 45° Swept Elbow
74° cone Thrust Wire

71



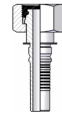
X0450H



Metric Male 24° Seat
Heavy

71

X0084H



Metric Female 24°
Seat Heavy

72



X0184H



90° Metric Swept El-
bow 24° Seat Heavy

72

X0284H



45° Metric Swept El-
bow 24° Seat Heavy

73



XS050H



ORFS Female

73

XS05TH



ORFS Female Back
Hexagon

74

XS150H



ORFS 90° Swept Elbow

74

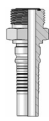
XS250H



ORFS 45° Swept Elbow

75

XS350H



ORFS Male

75



X1250H



Straight SAE Flange 3000 PSI

76

X1050H



90° SAE Flange 3000 PSI

76

X1150H



45° SAE Flange 3000 PSI

77

X1300H



Straight SAE Flange 6000 PSI

78

X1100H



90° SAE Flange 6000 PSI

79

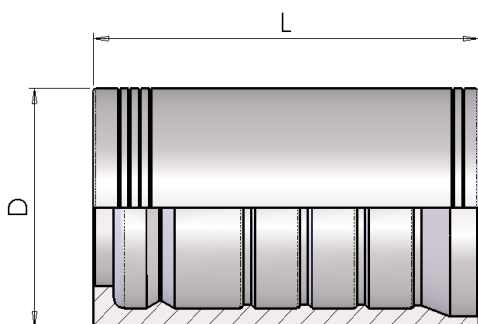
X1200H



45° SAE Flange 6000 PSI

80

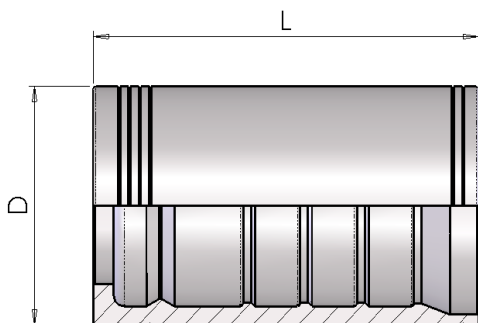
X004N



Boccola a Pressare (skive)

Part number	Hose I.D.		Dimensions		Skive Length
			D	L	
	in	mm			
X004N-12	3/4	19.0	38	60	52/15
X004N-16	1	25.4	46	74.5	64/17
X004N-20	1.1/4	31.8	55	88	74/22
X004N-24	1.1/2	38.1	62	94	81/22,5
X004N-32	2	50.8	78	99	85/30

X0013

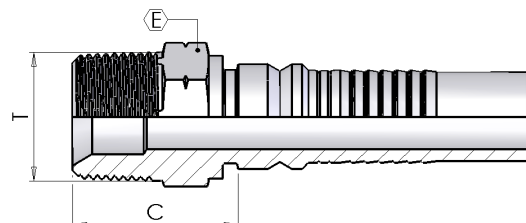


Boccola a Pressare (skive)

Part number	Hose I.D.		Dimensions		Skive Length
			D	L	
	in	mm			
X0013-20	1.1/4	31.8	60	88	74/22
X0013-24	1.1/2	38.1	67	94	81/22,5
X0013-32	2	50.8	84.5	99	85/30

X0370H

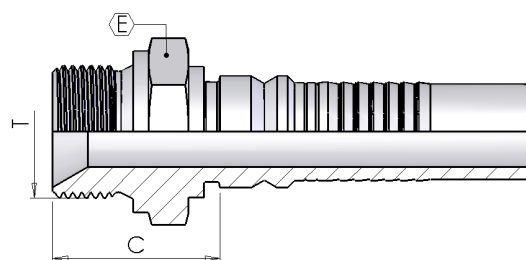
Maschio NPTF svas. 60°



Part number	Hose I.D.		Dimensions			
			dash	Thread	Cut-Off	Hex
	in	mm	size	T	C	E
X0370H12-12	3/4	19.0	12	3/4-14	35	27
X0370H16-16	1	25.4	16	1-11.1/2	41	36
X0370H20-20	1.1/4	31.8	20	1.1/4-11.1/2	44	46
X0370H24-24	1.1/2	38.1	24	1.1/2-11.1/2	47	50
X0370H32-32	2	50.8	32	2-11.1/2	54	65

X0350H

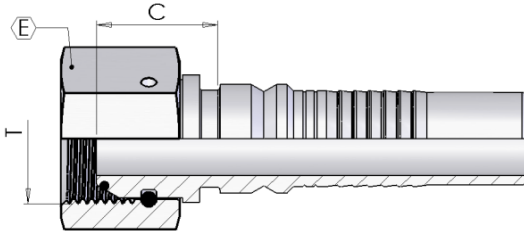
Maschio BSP svas. 60°



Part number	Hose I.D.		Dimensions			
			dash	Thread	Cut-Off	Hex
	in	mm	size	T	C	E
X0350H12-12	3/4	19.0	12	3/4-14	33	32
X0350H12-16	3/4	19.0	12	1-11	36	41
X0350H16-16	1	25.4	16	1-11	37	41
X0350H16-20	1	25.4	16	1.1/4-11	41	50
X0350H20-20	1.1/4	31.8	20	1.1/4-11	42	50
X0350H24-24	1.1/2	38.1	24	1.1/2-11	44	55
X0350H32-32	2	50.8	32	2-11	53	70

X0050H

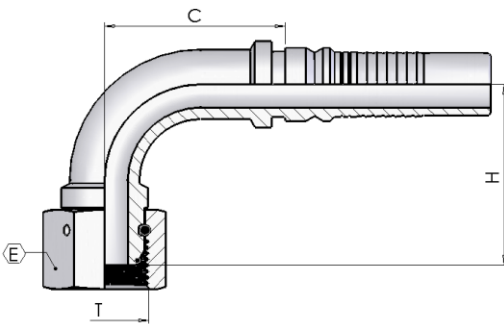
**Femmina BSP Cono 60°
- Dado Spinato**



Part number	Hose I.D.		Dimensions			
			dash	Thread	Cut-Off	Hex
	in	mm	size	T	C	E
X0050H12-12	3/4	19.0	12	3/4-14	23	32
X0050H12-16	3/4	19.0	12	1-11	25	38
X0050H16-16	1	25.4	16	1-11	26	38
X0050H20-20	1.1/4	31.8	20	1.1/4-11	29	50
X0050H20-24	1.1/4	31.8	20	1.1/2-11	31	55
X0050H24-24	1.1/2	38.1	24	1.1/2-11	31	55
X0050H32-32	2	50.8	32	2-11	30	70

X0150H

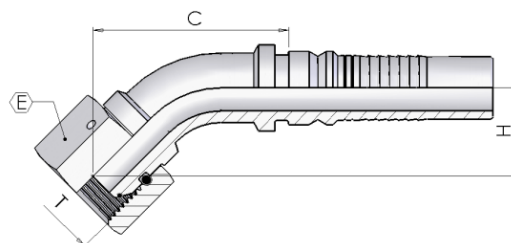
**Curva BSP 90° Cono 60°
- Dado Spinato**



Part number	Hose I.D.		Dimensions				
			dash	Thread	Cut-Off	Hex	Drop
	in	mm	size	T	C	E	H
X0150H12-12	3/4	19.0	12	3/4-14	54	32	57
X0150H16-16	1	25.4	16	1-11	73	38	70
X0150H16-20	1	25.4	16	1.1/4-11	73	50	76
X0150H20-20	1.1/4	31.8	20	1.1/4-11	93	50	83
X0150H24-24	1.1/2	38.1	24	1.1/2-11	111	55	104
X0150H32-32	2	50.8	32	2-11	122	70	135

X0250H

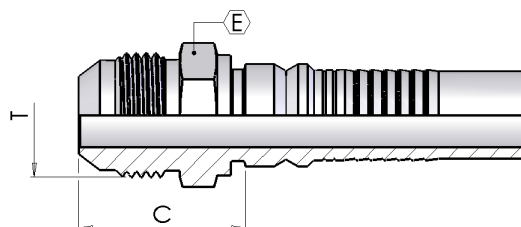
**Curva BSP 45° Cono 60°
- Dado Spinato**



Part number	Hose I.D.		Dimensions				
			dash	Thread	Cut-Off	Hex	Drop
	in	mm	size	T	C	E	H
X0250H12-12	3/4	19.0	12	3/4-14	84	32	28
X0250H16-16	1	25.4	16	1-11	112	38	38
X0250H20-20	1.1/4	31.8	20	1.1/4-11	137	50	41
X0250H24-24	1.1/2	38.1	24	1.1/2-11	166	55	54
X0250H32-32	2	50.8	32	2-11	195	70	70

X0850H

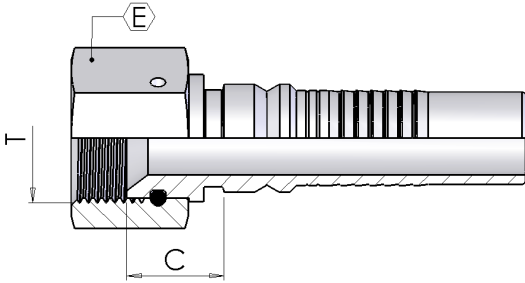
Maschio JIC Cono 74°



Part number	Hose I.D.		Dimensions			
			dash	Thread	Cut-Off	Hex
	in	mm	size	T	C	E
X0850H12-12	3/4	19.0	12	1.1/16-12	36	27
X0850H16-16	1	25.4	16	1.5/16-12	40	34
X0850H20-20	1.1/4	31.8	20	1.5/8-12	44	42
X0850H24-24	1.1/2	38.1	24	1.7/8-12	49	50
X0850H32-32	2	50.8	32	2.1/2-12	61	65

X0900H

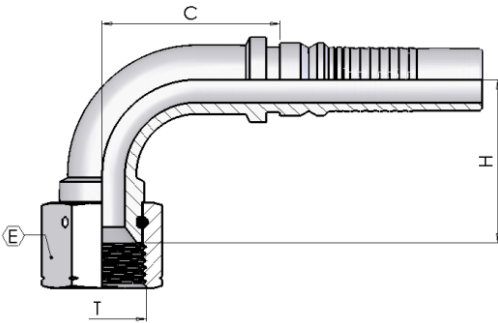
**Femmina JIC svas. 74°
- Dado Spinato**



Part number	Hose I.D.		Dimensions			
			dash	Thread	Cut-Off	Hex
	in	mm	size	T	C	E
X0900H12-12	3/4	19.0	12	1.1/16-12	19	32
X0900H12-16	3/4	19.0	12	1.5/16-12	22	41
X0900H16-16	1	25.4	16	1.5/16-12	23	41
X0900H20-20	1.1/4	31.8	20	1.5/8-12	26	50
X0900H24-24	1.1/2	38.1	24	1.7/8-12	29	55
X0900H32-32	2	50.8	32	2.1/2-12	30	70

X0950H

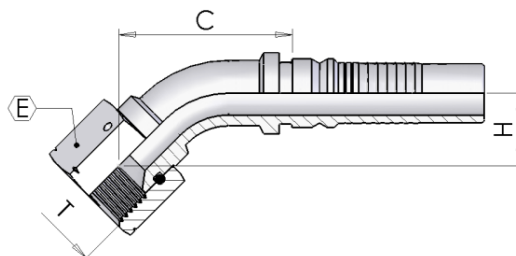
**Curva JIC 90° svas. 74°
- Dado Spinato**



Part number	Hose I.D.		Dimensions				
			dash	Thread	Cut-Off	Hex	Drop
	in	mm	size	T	C	E	H
X0950H12-12	3/4	19.0	12	1.1/16-12	54	32	54
X0950H12-16	3/4	19.0	12	1.5/16-12	54	41	62
X0950H16-16	1	25.4	16	1.5/16-12	77	41	66
X0950H20-20	1.1/4	31.8	20	1.5/8-12	92	50	86
X0950H24-24	1.1/2	38.1	24	1.7/8-12	112	55	100
X0950H32-32	2	50.8	32	2.1/2-12	121	70	134

X1000H

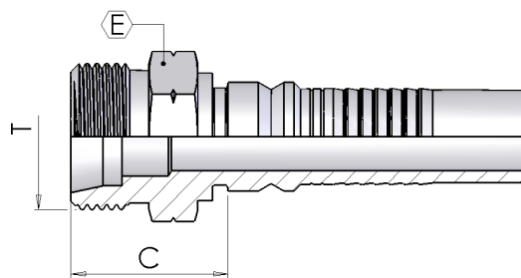
Curva JIC 45° svas. 74°
- Dado Spinato



Part number	Hose I.D.		Dimensions				
			dash	Thread	Cut-Off	Hex	Drop
	in	mm	size	T	C	E	H
X1000H12-12	3/4	19.0	12	1.1/16-12	85	32	28
X1000H12-16	3/4	19.0	12	1.5/16-12	88	41	32
X1000H16-16	1	25.4	16	1.5/16-12	113	41	36
X1000H20-20	1.1/4	31.8	20	1.5/8-12	133	50	50
X1000H24-24	1.1/2	38.1	24	1.7/8-12	165	55	49
X1000H32-32	2	50.8	32	2.1/2-12	194	70	67

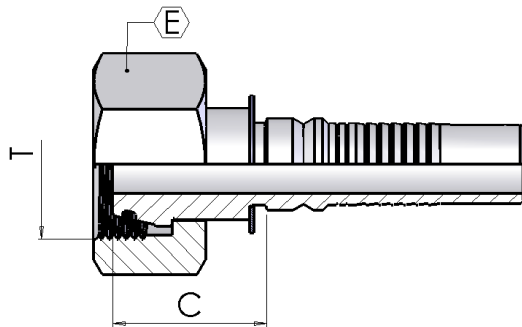
X0450H

Maschio Metrico svas. 24°
- Serie Pesante



Part number	Hose I.D.		Dimensions				
			dash	Thread		Cut-Off	Hex
	in	mm	size	T	Erm	C	E
X0450H12-36	3/4	19.0	12	M36-2	25	36	36
X0450H16-42	1	25.4	16	M42-2	30	39	46
X0450H20-52	1.1/4	31.8	20	M52-2	38	42	55
X0450H24-52	1.1/2	38.1	24	M52-2	38	43	55

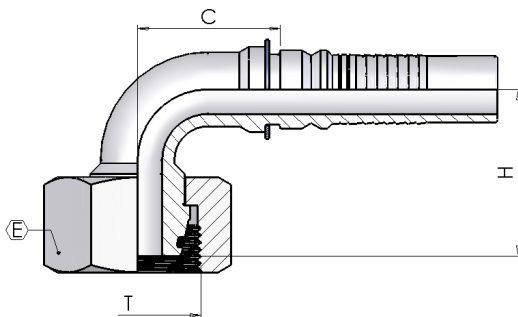
X0084H



Femmina Metrica Cono 24° - Serie Pesante

Part number	Hose I.D.		Dimensions				
			dash	Thread		Cut-Off	Hex
	in	mm	size	T	Erm	C	E
X0084H12-36	3/4	19.0	12	M36-2	25	37	46
X0084H16-36	1	25.4	16	M36-2	25	38	46
X0084H16-42	1	25.4	16	M42-2	30	41	50
X0084H20-52	1.1/4	31.8	20	M52-2	38	41	60
X0084H24-52	1.1/2	38.1	24	M52-2	38	42	60

X0184H

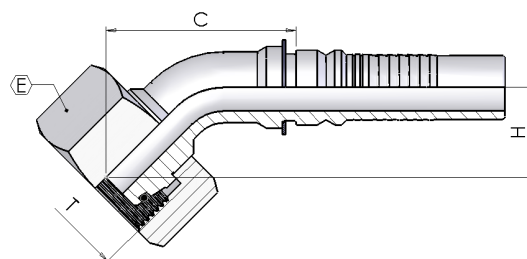


Curva Metrica 90° Cono 24° Ù - Serie Pesante

Part number	Hose I.D.		Dimensions					
			dash	Thread		Cut-Off	Hex	Drop
	in	mm	size	T	Erm	C	E	H
X0184H12-36	3/4	19.0	12	M36-2	25	55	46	58
X0184H16-36	1	25.4	16	M36-2	25	75	46	68
X0184H16-42	1	25.4	16	M42-2	30	74	50	69
X0184H20-52	1.1/4	31.8	20	M52-2	38	94	60	81

X0284H

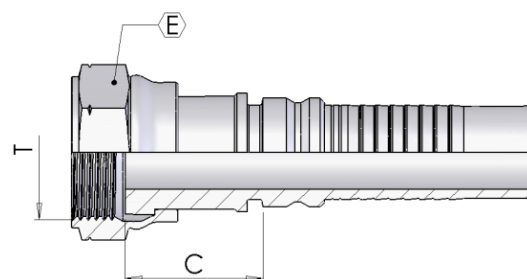
Curva Metrica 45° Cono 24° - Serie Pesante



Part number	Hose I.D.		Dimensions					
			dash	Thread		Cut-Off	Hex	Drop
	in	mm	size	T	Erm	C	E	H
X0284H12-36	3/4	19.0	12	M36-2	25	94	46	31
X0284H16-36	1	25.4	16	M36-2	25	110	46	34
X0284H16-42	1	25.4	16	M42-2	30	112	50	33
X0284H20-52	1.1/4	31.8	20	M52-2	38	93	60	81

XS050H

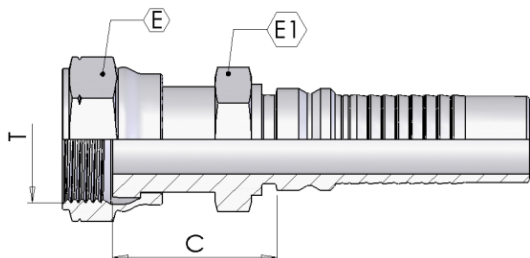
Femmina ORFS



Part number	Hose I.D.		Dimensions			
			dash	Thread	Cut-Off	Hex
	in	mm	size	T	C	E
XS050H12-14	3/4	19.0	12	1.3/16-12	33	36
XS050H16-15	1	25.4	16	1.7/16-12	37	41
XS050H16-21	1	25.4	16	1.11/16-12	36	50
XS050H20-21	1.1/4	31.8	20	1.11/16-12	37	50
XS050H20-32	1.1/4	31.8	20	2-12	37	60
XS050H24-32	1.1/2	38.1	24	2-12	41	60

XS05TH

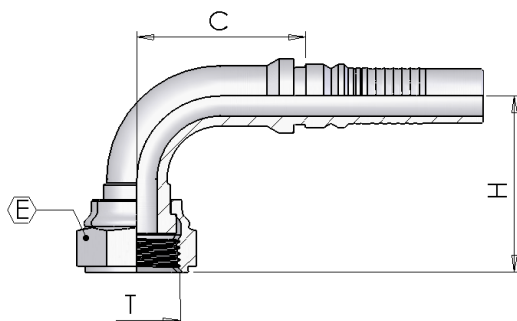
Femmina ORFS doppio
esagono



Part number	Hose I.D.		Dimensions				
			dash	Thread	Cut-Off	Hex	
	in	mm	size	T	C	E	E1
XS05TH12-14	3/4	19.0	12	1.3/16-12	39	36	30
XS05TH16-15	1	25.4	16	1.7/16-12	47	41	36
XS05TH20-21	1.1/4	31.8	20	1.11/16-12	50	50	46

XS150H

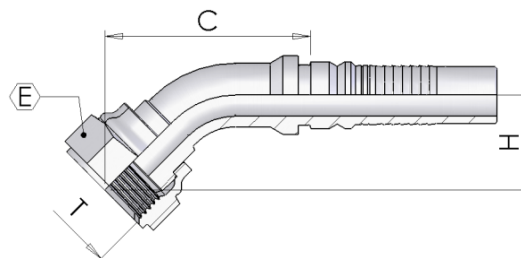
Curva ORFS 90°



Part number	Hose I.D.		Dimensions				
			dash	Thread	Cut-Off	Hex	Drop
	in	mm	size	T	C	E	H
XS150H12-14	3/4	19.0	12	1.3/16-12	54	36	49
XS150H16-15	1	25.4	16	1.7/16-12	69	41	66
XS150H20-21	1.1/4	31.8	20	1.11/16-12	87	50	80
XS150H24-32	1.1/2	38.1	24	2-12	111	60	102

XS250H

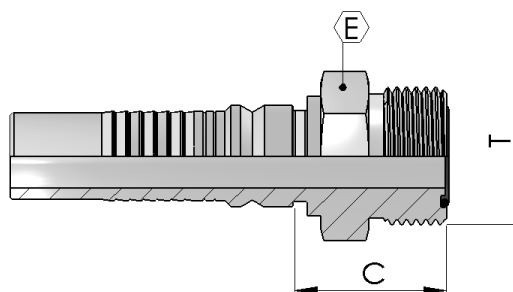
Curva ORFS 45°



Part number	Hose I.D.		Dimensions				
			dash	Thread	Cut-Off	Hex	Drop
	in	mm	size	T	C	E	H
XS250H12-14	3/4	19.0	12	1.3/16-12	84	36	23
XS250H16-15	1	25.4	16	1.7/16-12	107	41	33
XS250H20-21	1.1/4	31.8	20	1.11/16-12	130	50	37
XS250H24-32	1.1/2	38.1	24	2-12	165	60	50

XS350H

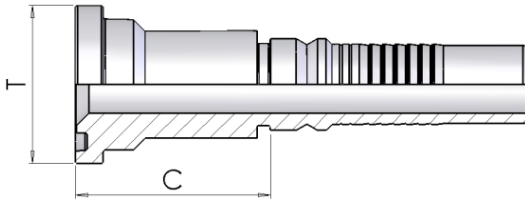
Maschio ORFS



Part number	Hose I.D.		Dimensions			
			dash	Thread	Cut-Off	Hex
	in	mm	size	T	C	E
XS350H12-14	3/4	19.0	12	1.3/16-12	34	32
XS350H16-15	1	25.4	16	1.7/16-12	35	38
XS350H20-21	1.1/4	31.8	20	1.11/16-12	36	46

X1250H

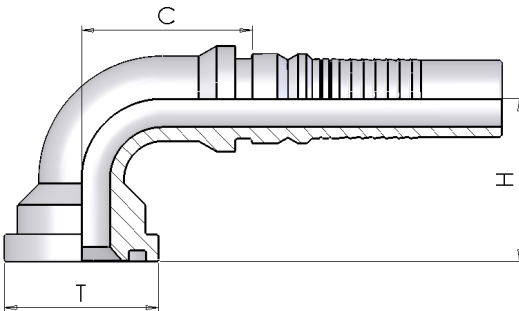
Flangia Diritta SAE 3000 PSI



Part number	Hose I.D.		Dimensions			
			dash	Flange		Cut-Off
	in	mm	size	T	mm	C
X1250H12-12	3/4	19.0	12	3/4	38.1	47
X1250H12-16	3/4	19.0	12	1	44.5	50
X1250H16-16	1	25.4	16	1	44.5	52
X1250H16-20	1	25.4	16	1.1/4	50.8	55
X1250H20-20	1.1/4	31.8	20	1.1/4	50.8	56
X1250H20-24	1.1/4	31.8	20	1.1/2	60.3	59
X1250H24-24	1.1/2	38.1	24	1.1/2	60.3	60
X1250H24-32	1.1/2	38.1	24	2	71.4	65
X1250H32-32	2	50.8	32	2	71.4	67

X1050H

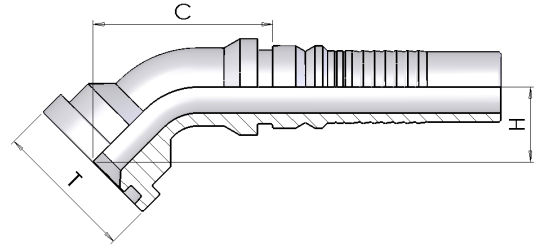
Flangia 90° SAE 3000 PSI



Part number	Hose I.D.		Dimensions				
			dash	Flange		Cut-Off	Drop
	in	mm	size	T	mm	C	H
X1050H12-12	3/4	19.0	12	3/4	38.1	52	52
X1050H12-16	3/4	19.0	12	1	44.5	55	56
X1050H16-16	1	25.4	16	1	44.5	73	65
X1050H16-20	1	25.4	16	1.1/4	50.8	69	71
X1050H20-20	1.1/4	31.8	20	1.1/4	50.8	93	78
X1050H20-24	1.1/4	31.8	20	1.1/2	60.3	97	80
X1050H24-24	1.1/2	38.1	24	1.1/2	60.3	100	95
X1050H24-32	1.1/2	38.1	24	2	71.4	134	101
X1050H32-32	2	50.8	32	2	71.4	122	121

X1150H

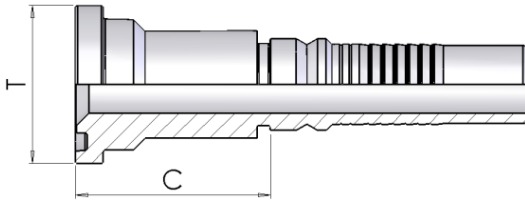
Flangia 45° SAE 3000 PSI



Part number	Hose I.D.		Dimensions				
			dash size	Flange T	mm	Cut-Off C	Drop H
	in	mm					
X1150H12-12	3/4	19.0	12	3/4	38.1	81	25
X1150H12-16	3/4	19.0	12	1	44.5	86	28
X1150H16-16	1	25.4	16	1	44.5	107	35
X1150H16-20	1	25.4	16	1.1/4	50.8	113	37
X1150H20-20	1.1/4	31.8	20	1.1/4	50.8	136	37
X1150H20-24	1.1/4	31.8	20	1.1/2	60.3	136	40
X1150H24-24	1.1/2	38.1	24	1.1/2	60.3	159	44
X1150H24-32	1.1/2	38.1	24	2	71.4	159	47
X1150H32-32	2	50.8	32	2	71.4	182	56

X1300H

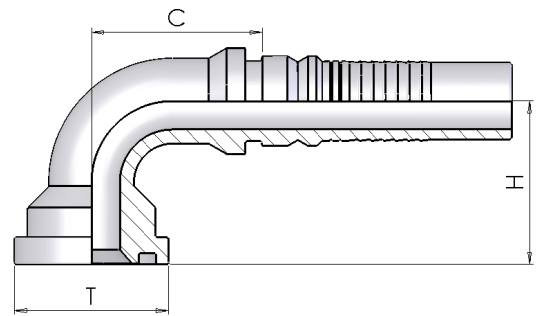
Flangia Diritta SAE 6000 PSI



Part number	Hose I.D.		Dimensions			
			dash	Flange		Cut-Off
	in	mm	size	T	mm	C
X1300H12-12	3/4	19.0	12	3/4	41.3	51
X1300H12-16	3/4	19.0	12	1	47.6	57
X1300H16-12	1	25.4	16	3/4	41.3	52
X1300H16-16	1	25.4	16	1	47.6	59
X1300H16-20	1	25.4	16	1.1/4	54	66
X1300H20-16	1.1/4	31.8	20	1	47.6	60
X1300H20-20	1.1/4	31.8	20	1.1/4	54	67
X1300H20-24	1.1/4	31.8	20	1.1/2	63.5	73
X1300H24-20	1.1/2	38.1	24	1.1/4	54	75
X1300H24-24	1.1/2	38.1	24	1.1/2	63.5	74
X1300H24-32	1.1/2	38.1	24	2	79.4	82
X1300H32-32	2	50.8	32	2	79.4	84

X1100H

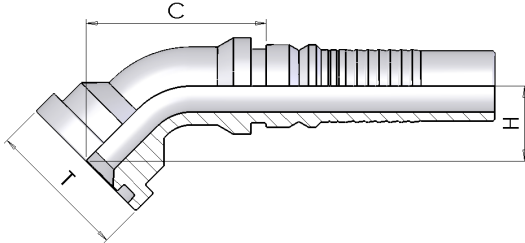
Flangia 90° SAE 6000 PSI



Part number	Hose I.D.		Dimensions				
			dash size	Flange T	mm	Cut-Off C	Drop H
	in	mm					
X1100H12-12	3/4	19.0	12	3/4	41.3	53	55
X1100H12-16	3/4	19.0	12	1	47.6	52	63
X1100H16-12	1	25.4	16	3/4	41.3	73	66
X1100H16-16	1	25.4	16	1	47.6	74	72
X1100H16-20	1	25.4	16	1.1/4	54	73	79.5
X1100H20-16	1.1/4	31.8	20	1	47.6	93	80
X1100H20-20	1.1/4	31.8	20	1.1/4	54	93	84,5
X1100H20-24	1.1/4	31.8	20	1.1/2	63.5	98	90
X1100H24-24	1.1/2	38.1	24	1.1/2	63.5	114	101
X1100H24-32	1.1/2	38.1	24	2	79.4	115	115
X1100H32-32	2	50.8	32	2	79.4	124	138

X1200H

Flangia 45° SAE 6000 PSI



Part number	Hose I.D.		Dimensions				
			dash	Flange		Cut-Off	Drop
	in	mm	size	T	mm	C	H
X1200H12-12	3/4	19.0	12	3/4	41.3	85	28
X1200H12-16	3/4	19.0	12	1	47.6	88	34
X1200H16-12	1	25.4	16	3/4	41.3	107	35
X1200H16-16	1	25.4	16	1	47.6	112	34
X1200H16-20	1	25.4	16	1.1/4	54	117	40
X1200H20-16	1.1/4	31.8	20	1	47.6	117	42
X1200H20-20	1.1/4	31.8	20	1.1/4	54	139	43
X1200H20-24	1.1/4	31.8	20	1.1/2	63.5	144	48
X1200H24-24	1.1/2	38.1	24	1.1/2	63.5	167	50
X1200H24-32	1.1/2	38.1	24	2	79.4	166	64
X1200H32-32	2	50.8	32	2	79.4	200	72

BSP ADAPTORS

in

BSPP nipples

X1700



Union

84

X1800



Reduction Nipple

85

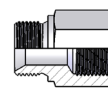
XR605



Short Male-Female
Reduction

86

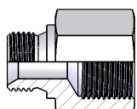
X2000



Male/female con-
nector

87

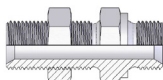
X2010



Female-Male Re-
duction

88

XA106

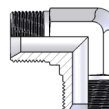


Bulkhead Union

111

BSPP Male

X4520

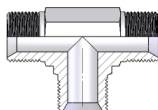


90° Union Elbow

89

BSPP Tee
swivel

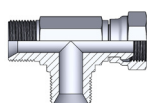
X4730



Union Tee

89

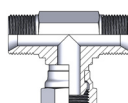
X4701



Female run tee

90

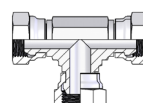
X4711



Female branch tee

90

X4721

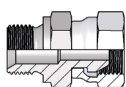


Swivel Female Union
Tee

91

BSPP M/F
swivel

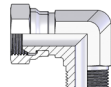
X2351



Swivel Connector

92

X4501

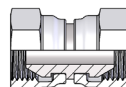


Swivel 90° Elbow

93

BSPP F/F
swivel

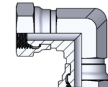
X2451



Swivel Connector

93

X4551

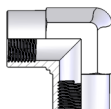


Swivel 90° Elbow

94

BSPP F/F

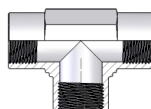
X4570



90° Elbow Union

94

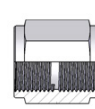
X4820



Union Tee

95

XA105

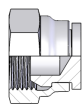


Union

95

BSPP plug
swivel

XA608

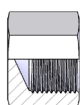


Female Plug Swivel

96



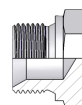
XA604



Female Plug

97

XA605

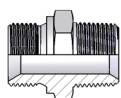


Male plug

98



X1865

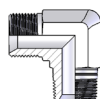


Male Connector BSP/
BSPT

99



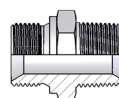
X4620



90° connector BSP
male x BSPT male

99

X1875

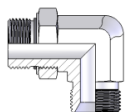


Male Connector BSP/
NPTF

100



X3900

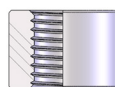


Adjustable Elbow
BSP/BSP

101



X2200

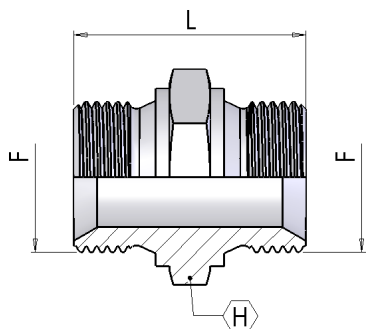


Threaded Sleeve

102

X1700

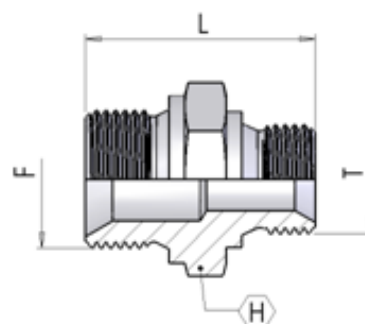
Niplo di giunzione



Part number	Ø Tube		Dimensions		
			F	L	H
	in	mm			
X1700-02-02	1/4"	6	1/8-28	24	14
X1700-04-04	5/16"	8	1/4-19	32	19
X1700-06-06	3/8"	10	3/8-19	36	22
X1700-08-08	1/2"	12	1/2-14	42	27
X1700-10-10	5/8"	16	5/8-14	46	30
X1700-12-12	3/4"	20	3/4-14	45.6	32
X1700-16-16	1"	25	1-11	51	41
X1700-20-20	1.1/4"	32	1.1/4-11	57	50
X1700-24-24	1.1/2"	38	1.1/2-11	60	55
X1700-32-32	2"	51	2-11	71	70

X1800

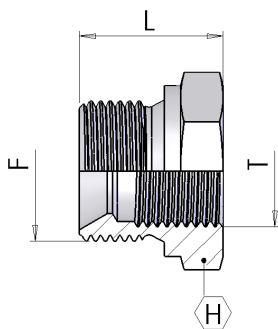
Nipplo di riduzione



Part number	Ø Tube		Dimensions			
			T	F	L	H
	in	mm				
X1800-04-02	1/4"	6	1/8-28	1/4-19	29	19
X1800-06-02	1/4"	6	1/8-28	3/8-19	30	22
X1800-06-04	5/16"	8	1/4-19	3/8-19	34	22
X1800-08-04	5/16"	8	1/4-19	1/2-14	35	27
X1800-08-06	3/8"	10	3/8-19	1/2-14	40	27
X1800-10-08	1/2"	12	1/2-14	5/8-14	44	30
X1800-12-04	5/16"	8	1/4-19	3/4-14	41	32
X1800-12-06	3/8"	10	3/8-19	3/4-14	42	32
X1800-12-08	1/2"	12	1/2-14	3/4-14	44	32
X1800-12-10	5/8"	16	5/8-14	3/4-14	46	32
X1800-16-06	3/8"	10	3/8-19	1-11	45	38
X1800-16-08	1/2"	12	1/2-14	1-11	47	41
X1800-16-12	3/4"	20	3/4-14	1-11	49	41
X1800-20-12	3/4"	20	3/4-14	1.1/4-11	52	50
X1800-20-16	1"	25	1-11	1.1/4-11	55	50
X1800-24-12	3/4"	20	3/4-14	1.1/2-11	54	55
X1800-24-16	1"	25	1-11	1.1/2-11	58	55
X1800-24-20	1.1/4"	32	1.1/4-11	1.1/2-11	58	55
X1800-32-16	1"	25	1-11	2-11	64	70
X1800-32-20	1.1/4"	32	1.1/4-11	2-11	66	70
X1800-32-24	1.1/2"	38	1.1/2-11	2-11	68	70

XR605

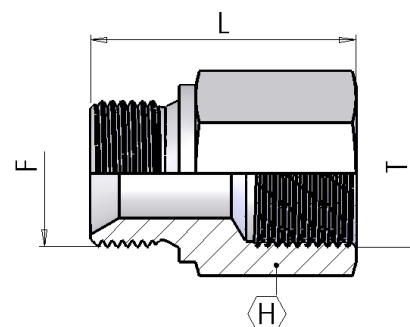
Riduzione Corta maschio/femm.



Part number	Ø Tube		Dimensions			
			Thread			
	in	mm	T	F	L	H
XR605-04-02	1/4"	6	1/8"-28	1/4"-19	23	19
XR605-06-02	1/4"	6	1/8"-28	3/8"-14	21.5	22
XR605-06-04	5/16"	8	1/4-19	3/8-19	27	22
XR605-08-04	5/16"	8	1/4-19	1/2-14	25	27
XR605-08-06	3/8"	10	3/8-19	1/2-14	28.5	27
XR605-12-04	5/16"	8	1/4"-19	3/4"-14	27	32
XR605-12-06	3/8"	10	3/8-19	3/4-14	27	32
XR605-12-08	1/2"	12	1/2-14	3/4-14	27	32
XR605-16-06	3/8"	10	3/8-19	1-11	30	41
XR605-16-08	1/2"	12	1/2-14	1-11	30	41
XR605-16-12	3/4"	20	3/4-14	1-11	30	41
XR605-20-12	3/4"	20	3/4-14	1.1/4-11	34	50
XR605-20-16	1"	25	1-11	1.1/4-11	34	50
XR605-24-16	1"	25	1-11	1.1/2-11	35	55
XR605-24-20	1.1/4"	32	1.1/4-11	1.1/2-11	39	55
XR605-32-20	1.1/4"	32	1.1/4-11	2-11	42.5	70
XR605-32-24	1.1/2"	38	1.1/2-11	2-11	42.5	70

X2000

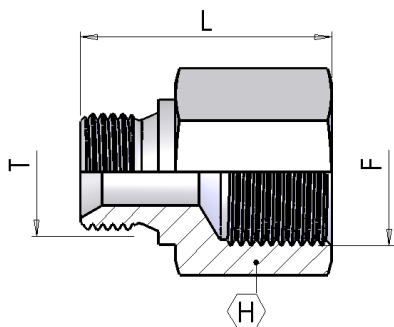
Colonna M/F



Part number	Ø Tube		Dimensions			
			Thread			
	in	mm	T	F	L	H
X2000-04-32	5/16"	8	1/4-19	1/4-19	32	19
X2000-04-47	5/16"	8	1/4-19	1/4-19	47	19
X2000-04-62	5/16"	8	1/4-19	1/4-19	62	19
X2000-06-33	3/8"	10	3/8-19	3/8-19	33	22
X2000-06-48	3/8"	10	3/8-19	3/8-19	48	22
X2000-06-63	3/8"	10	3/8-19	3/8-19	63	22
X2000-08-40	1/2"	12	1/2-14	1/2-14	40	27
X2000-08-50	1/2"	12	1/2-14	1/2-14	50	27
X2000-08-65	1/2"	12	1/2-14	1/2-14	65	27
X2000-12-46	3/4"	20	3/4-14	3/4-14	46	32
X2000-16-50	1"	25	1-11	1-11	50	41

X2010

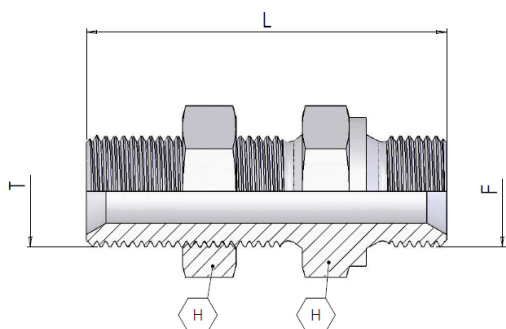
Riduzione femm./maschio



Part number	Ø Tube		Dimensions				
			T	F	L	LH	H
	in	mm					
X2010-04-02	1/4"	6	1/8-28	1/4-19	30	20	19
X2010-04-06	3/8"	10	3/8-19	1/4-19	35	22	22
X2010-06-04	5/16"	8	1/4-19	3/8-19	32	20	22
X2010-06-08	1/2"	12	1/2-14	3/8-19	35	20	27
X2010-08-06	3/8"	10	3/8-19	1/2-14	37	25	27
X2010-08-12	3/4"	20	3/4-11	1/2-14	41	25	32
X2010-12-08	1/2"	12	1/2-14	3/4-11	42	27	32
X2010-12-16	1"	25	1-11	3/4-11	50	30	41
X2010-16-12	3/4"	20	3/4-14	1-11	47	30	41
X2010-20-16	1"	25	1-11	1.1/4-11	55	35	50
X2010-24-20	3/4"	20	1.1/4-11	1.1/2-11	50	30	55

XA106

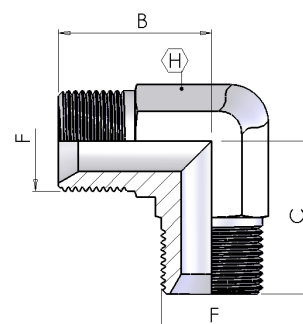
Passaparete



Part number	Ø Tube		Dimensions			
			Thread	T	F	H
	in	mm				
XA106-04	5/16"	8	1/4-19	1/4-19	46	19
XA106-06	3/8"	10	3/8-19	3/8-19	54	22
XA106-08	1/2"	12	1/2-14	1/2-14	57	27
XA106-10	5/8"	16	5/8-14	5/8-14	65	30
XA106-12	3/4"	20	3/4-14	3/4-14	65	32
XA106-16	1"	25	1-11	1-11	73	41
XA106-20	1.1/4"	32	2-11	2-11	79	50

X4520

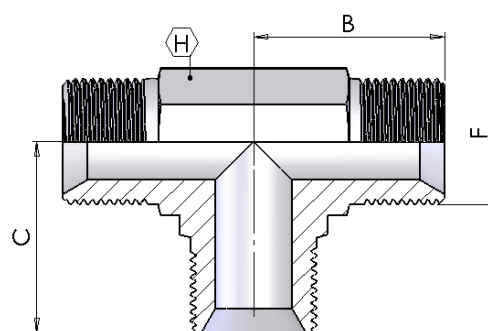
Unione 90°



Part number	Ø Tube		Dimensions			
			B	C	F	H
	in	mm				
X4520-04	5/16"	8	24.5	24.5	1/4-19	14
X4520-06	3/8"	10	25.5	25.5	3/8-19	17
X4520-08	1/2"	12	29.5	29.5	1/2-14	19
X4520-12	3/4"	20	37	37	3/4-14	27
X4520-16	1"	25	43	43	1-11	36
X4520-20	1.1/4"	32	51	51	1.1/4-11	41
X4520-24	1.1/2"	38	59	59	1.1/2-11	50

X4730

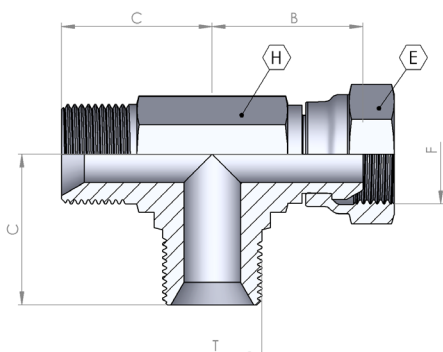
Unione a T



Part number	Ø Tube		Dimensions			
			B	C	F	H
	in	mm				
X4730-04	5/16"	8	24.5	24.5	1/4-19	14
X4730-08	1/2"	12	25.5	25.5	1/2-14	19
X4730-12	3/4"	20	37	37	3/4-14	27
X4730-16	1"	25	43	43	1-11	36
X4730-20	1.1/4"	32	51	51	1.1/4-11	41
X4730-24	1.1/2"	38	59	59	1.1/2-11	50

X4701

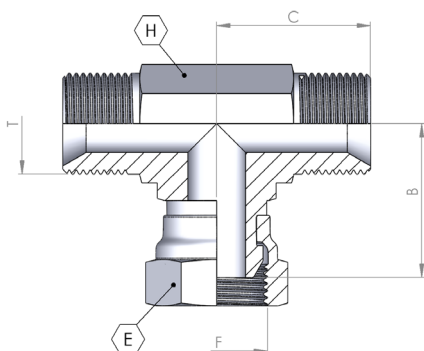
T con femmina girevole laterale



Part number	Ø Tube		Dimensions					
			Thread			Hex		
	in	mm	T	B	C	E	F	H
X4701-04	5/16"	8	1/4-19	24.5	24.5	19	1/4-19	14
X4701-06	3/8"	10	3/8-19	25.5	25.5	22	3/8-19	17
X4701-08	1/2"	12	1/2-14	29.5	29.5	27	1/2-14	19
X4701-12	3/4"	20	3/4-14	37	37	32	3/4-14	27
X4701-16	1"	25	1-11	43	43	41	1-11	36
X4701-20	1.1/4"	32	1.1/4-11	51	51	50	1.1/4-11	41
X4701-24	1.1/2"	38	1.1/2-11	50	59	55	1.1/2-11	50

X4711

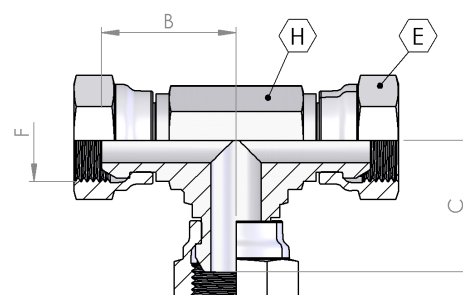
T con femmina girevole centrale



Part number	Ø Tube		Dimensions					
			Thread			Hex		
	in	mm	T	B	C	E	F	H
X4711-04	5/16"	8	1/4-19	23.5	24.5	19	1/4-19	14
X4711-06	3/8"	10	3/8-19	25.5	25.5	22	3/8-19	17
X4711-08	1/2"	12	1/2-14	29.5	29.5	27	1/2-14	19
X4711-12	3/4"	20	3/4-14	37	37	32	3/4-14	27
X4711-16	1"	25	1-11	43	43	41	1-11	36
X4711-20	1.1/4"	32	1.1/4-11	51	51	50	1.1/4-11	41
X4711-24	1.1/2"	38	1.1/2-11	59	59	55	1.1/2-11	50

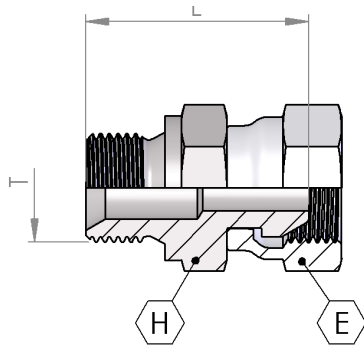
X4721

Unione a T - femmina girevole



Part number	Dimensions				
	B	C	Hex	F	H
X4721-04	23.5	23.5	19	1/4-19	14
X4721-06	25.5	25.5	22	3/8-19	17
X4721-08	29.5	29.5	27	1/2-14	19
X4721-12	37	37	32	3/4-14	27
X4721-16	43	43	41	1-11	36
X4721-20	51	51	50	1.1/4-11	41
X4721-24	50	50	55	1.1/2-11	50

X2351

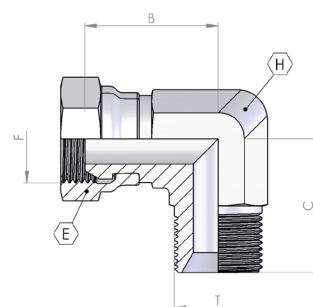


Niplo mas./femm. girevole

Part number	Ø Tube		Dimensions				
			T	Hex E	F	L	H
X2351-02-02	1/4"	6	1/8-28	14	1/8-28	23	14
X2351-04-04	5/16"	8	1/4-19	19	1/4-19	32	19
X2351-04-06	5/16"	8	1/4-19	22	3/8-19	31.5	19
X2351-06-04	3/8"	10	3/8-19	19	1/4-19	31.5	22
X2351-06-06	3/8"	10	3/8-19	22	3/8-19	32.5	22
X2351-06-08	3/8"	10	3/8-19	27	1/2-19	32.5	22
X2351-08-06	1/2"	12	1/2-14	22	3/8-19	37	27
X2351-08-08	1/2"	12	1/2-14	27	1/2-14	36	27
X2351-08-12	1/2"	12	1/2-14	32	3/4-14	42	27
X2351-12-08	3/4"	20	3/4-14	27	1/2-14	39.5	32
X2351-12-12	3/4"	20	3/4-14	32	3/4-14	41	32
X2351-12-16	3/4"	20	3/4-14	41	1-11	44	32
X2351-16-12	1"	25	1-11	32	3/4-19	45	41
X2351-16-16	1"	25	1-11	41	1-11	45.5	41
X2351-16-20	1"	25	1-11	50	1.1/4-11	53	41
X2351-20-20	1.1/4"	32	1.1/4-11	50	1.1/4-11	48.5	50
X2351-24-24	1.1/2"	38	1.1/2-11	55	1.1/2-11	53	55
X2351-32-32	2"	51	2-11	70	2-11	72	70

X4501

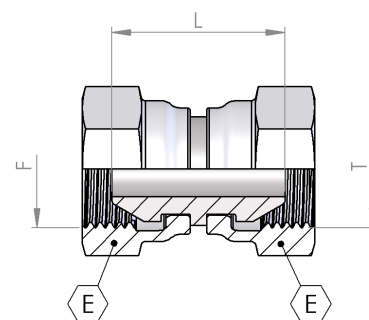
Unione 90° mas. /femm. girevole



Part number	Ø Tube		Dimensions					
			Thread			Hex		
	in	mm	T	B	C	E	F	H
X4501-04	5/16"	8	1/4-19	23.5	24.5	19	1/4-19	14
X4501-06	3/8"	10	3/8-19	25.5	25.5	22	3/8-19	17
X4501-08	1/2"	12	1/2-14	29.5	29.5	27	1/2-14	19
X4501-12	3/4"	20	3/4-14	37	37	32	3/4-14	27
X4501-16	1"	25	1-11	43	43	41	1-11	36
X4501-20	1.1/4"	32	1.1/4-11	51	51	50	1.1/4-11	41
X4501-24	1.1/2"	38	1.1/2-11	50	59	55	1.1/2-11	50

X2451

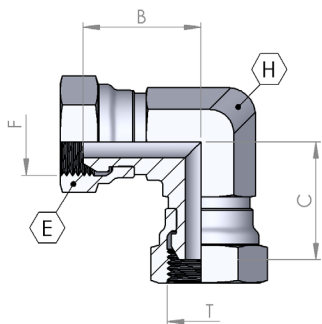
Nipplo femmina girevole



Part number	Dimensions			
	Thread	Hex		
	T	E	F	L
X2451-04-04	1/4-19	19	1/4-19	26
X2451-06-06	3/8-19	22	3/8-19	30
X2451-08-08	1/2-14	27	1/2-14	29
X2451-12-12	3/4-14	32	3/4-14	34
X2451-16-16	1-11	41	1-11	36
X2451-20-20	1.1/4-11	50	1.1/4-11	38
X2451-24-24	1.1/2-11	55	1.1/2-11	51
X2451-32-32	2-11	70	2-11	66

X4551

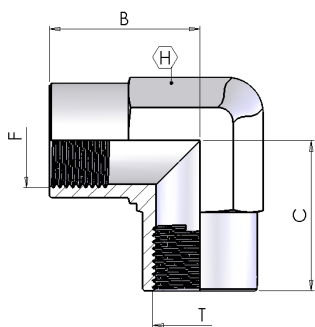
Unione 90° femmina girevole



Part number	Dimensions					
	Thread			Hex		
	T	B	C	E	F	H
X4551-04	1/4-19	23.5	23.5	19	1/4-19	14
X4551-06	3/8-19	25.5	25.5	22	3/8-19	17
X4551-08	1/2-14	29.5	29.5	27	1/2-14	19
X4551-12	3/4-14	37	37	32	3/4-14	27
X4551-16	1-11	43	43	41	1-11	36
X4551-20	1.1/4-11	51	51	50	1.1/4-11	41
X4551-24	1.1/2-11	50	50	55	1.1/2-11	50

X4570

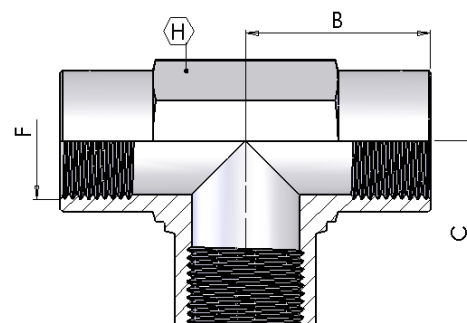
Unione 90° femmina fissa



Part number	Dimensions				
	T	B	C	F	H
X4570-04	1/4-19	22.5	22.5	1/4-19	19
X4570-06	3/8-19	26.2	26.2	3/8-19	24
X4570-08	1/2-14	31.5	31.5	1/2-14	27
X4570-12	3/4-14	33.5	33.5	3/4-14	36
X4570-16	1-11	43	43	1-11	41

X4820

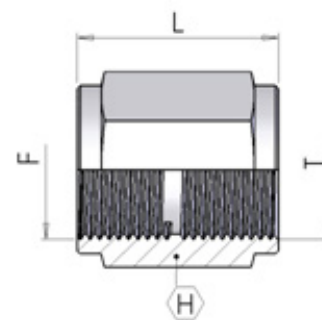
Unione a T - femmina fissa



Part number	Dimensions			
	B	C	F	H
X4820-04	22.5	22.5	1/4-19	19
X4820-06	26.2	26.2	3/8-19	24
X4820-08	31.5	31.5	1/2-14	27
X4820-12	33.5	33.5	3/4-14	36
X4820-16	43	43	1-11	41

XA105

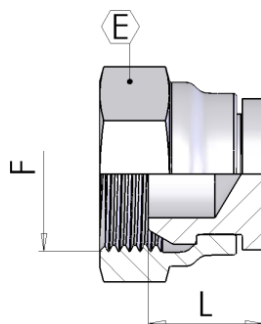
Unione femmina fissa



Part number	Dimensions			
	T	F	L	H
XA105-02-02	1/8-28	1/8-28	22	14
XA105-04-04	1/4-19	1/4-19	25	19
XA105-06-06	3/8-19	3/8-19	30	22
XA105-08-08	1/2-14	1/2-14	35	27
XA105-12-12	3/4-14	3/4-14	40	32
XA105-16-16	1-11	1-11	45	41
XA105-20-20	1.1/4-11	1.1/4-11	50	50
XA105-24-24	1.1/2-11	1.1/2-11	60	55
XA105-32-32	2-11	2-11	60	70

XA608

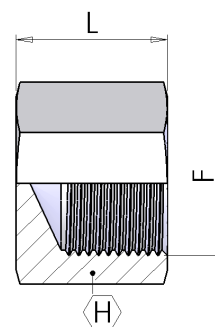
Tappo femmina girevole



Part number	Dimensions		
	Hex		
	E	F	L
XA608-02	14	1/8-28	11
XA608-04	19	1/4-19	14
XA608-06	22	3/8-19	15
XA608-08	27	1/2-14	16
XA608-10	30	5/8-14	16
XA608-12	32	3/4-14	18
XA608-16	38	1-11	20
XA608-20	50	1.1/4-11	24
XA608-24	55	1.1/2-11	27
XA608-32	70	2-11	24

XA604

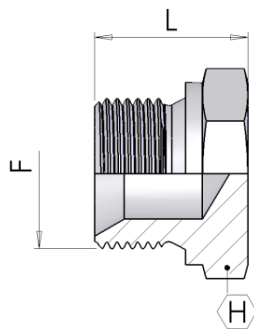
Tappo femmina fissa



Part number	Dimensions		
	F	L	H
XA604-02	1/8-28	16	14
XA604-04	1/4-19	19	19
XA604-06	3/8-19	21	22
XA604-08	1/2-14	23	27
XA604-10	5/8-14	25	30
XA604-12	3/4-14	28	32
XA604-16	1-11	31	41
XA604-20	1.1/4-11	36	50
XA604-24	1.1/2-11	41	55
XA604-32	2-11	46	70

XA605

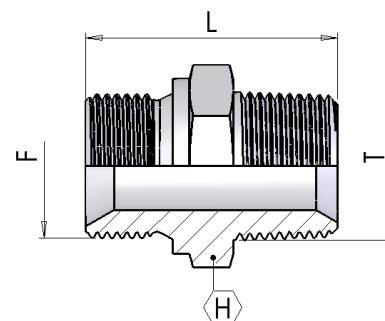
Tappo maschio



Part number	Dimensions		
	F	L	H
XA605-02	1/8-28	15	14
XA605-04	1/4-19	19	19
XA605-06	3/8-19	22	22
XA605-08	1/2-14	25	27
XA605-10	5/8-14	27	30
XA605-12	3/4-14	27	32
XA605-16	1-11	30	41
XA605-20	1.1/4-11	34	50
XA605-24	1.1/2-11	39	55
XA605-32	2-11	43	70

X1865

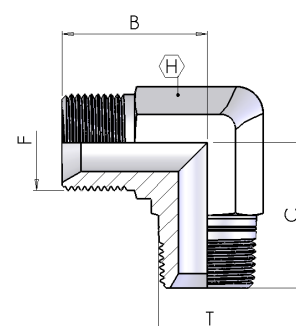
Nipplo maschio BSP/BSPT



Part number	Ø Tube		Dimensions			
			Thread			
	in	mm	T	F	L	H
X1865-02-02	1/4"	6	1/8-28	1/8-28	23	14
X1865-04-04	5/16"	8	1/4-19	1/4-19	30	19
X1865-06-06	3/8"	10	3/8-19	3/8-19	35.5	22
X1865-08-08	1/2"	12	1/2-14	1/2-14	43	27
X1865-08-12	1/2"	12	3/4-14	1/2-14	45	27
X1865-12-12	3/4"	20	3/4-14	3/4-14	46	32
X1865-16-16	1"	25	1-11	1-11	54	41
X1865-20-20	1.1/4"	32	1.1/4-11	1.1/4-11	54.5	50
X1865-24-24	1.1/2"	38	1.1/2-11	1.1/2-11	60.4	55
X1865-32-32	2"	51	2-11	2-11	63	70

X4620

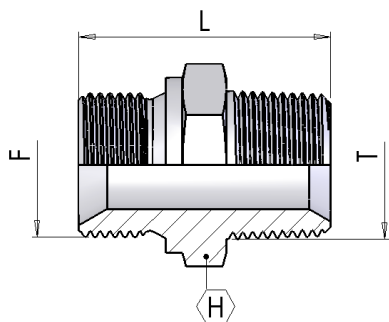
Gomito 90° M BSP/M BSPT



Part number	Ø Tube		Dimensions				
			Thread				
	in	mm	T	B	C	F	H
X4620-02	1/4"	6	1/8-28	20	20	1/8-28	12
X4620-04	5/16"	8	1/4-19	24.5	26	1/4-19	14
X4620-06	3/8"	10	3/8-19	25.5	25.5	3/8-19	17
X4620-08	1/2"	12	1/2-14	29.5	35	1/2-14	19
X4620-12	3/4"	20	3/4-14	37	37	3/4-14	27
X4620-16	1"	25	1-11	43	43	1-11	36
X4620-24	1.1/2"	38	1.1/2-11	59	63	1.1/2-11	50

X1875

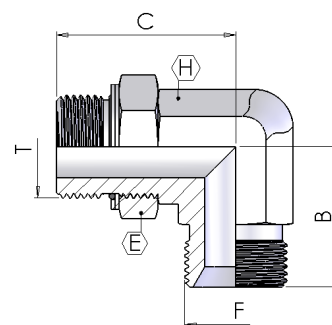
Nipplo maschio BSP/NPTF



Part number	Ø Tube		Dimensions			
			Thread			
	in	mm	T	F	L	H
X1875-04-04	1/4"	6	1/4-18	1/4-19	32.5	19
X1875-04-06	1/4"	6	3/8-18	1/4-19	33	19
X1875-04-08	1/4"	6	1/2-14	1/4-19	40	22
X1875-06-04	3/8"	10	1/4-18	3/8-19	35.5	22
X1875-06-06	3/8"	10	3/8-18	3/8-19	38	22
X1875-06-08	3/8"	10	1/2-14	3/8-19	42	22
X1875-08-06	1/2"	12	3/8-18	1/2-14	40	27
X1875-08-08	1/2"	12	1/2-14	1/2-14	43	27
X1875-08-12	1/2"	12	3/4-14	1/2-14	45	27
X1875-12-08	3/4"	20	1/2-14	3/4-14	45	32
X1875-12-12	3/4"	20	3/4-14	3/4-14	47	32
X1875-12-16	3/4"	20	1-11.1/2	3/4-14	52	36
X1875-16-12	1"	25	3/4-14	1-11	50	41
X1875-16-16	1"	25	1-11.1/2	1-11	54.5	41
X1875-20-20	1.1/4"	32	1.1/4-11.1/2	1-1/4-11	59	50
X1875-20-24	1.1/4"	32	1.1/2-11.1/2	1-1/4-11	66	50
X1875-24-24	1.1/2"	38	1.1/2-11.1/2	1.1/2-11	64	55
X1875-32-32	2"	51	2-11.1/2	2-11	66	70

X3900

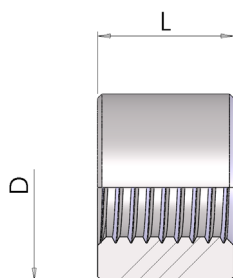
Curva Orientabile BSP/BSP



Part number	Ø Tube		Dimensions					
			T	B	C	Hex		
	in	mm				E	F	H
X3900-04-04	1/4"	6	1/4"-19	27	31.5	19	1/4"-19	14
X3900-06-06	3/8"	10	3/8"-19	29	37	22	3/8"-19	19
X3900-06-08	1/2"	12	3/8"-19	32	43	27	1/2"-14	22
X3900-08-06	3/8"	10	1/2"-14	34	40	22	3/8"-19	22
X3900-08-08	1/2"	12	1/2"-14"	34	43	27	1/2"-14	22
X3900-12-12	3/4"	20	3/4"-14	41	50	36	3/4"-14	27
X3900-16-16	1"	25	1"-11	46	53	41	1"-11	33

X2200

Borchia a saldare



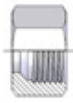
Part number	Dimensions		
	D	F	L
X2200-02	16	1/8-28	10
X2200-04	22	1/4-19	16
X2200-06	26	3/8-19	17
X2200-08	30	1/2-14	18
X2200-12	38	3/4-14	20
X2200-16	45	1-11	25
X2200-20	55	1.1/4-11	26
X2200-24	62	1.1/2-11	30
X2200-32	70	2-11	30

DIN
adaptors

in



X7400



Nuts

107

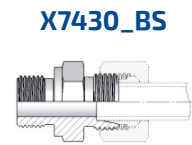


X7410



Cutting Rings

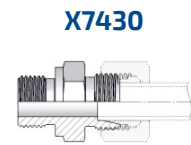
108



X7430_BS

Male Stud Couplings

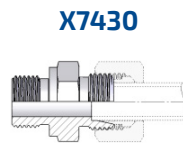
109



X7430

Male Stud Couplings

110



X7430

Male Stud Couplings

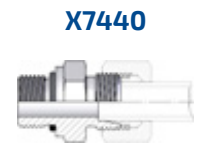
111



X7430

Male Stud Couplings
rubber seal

112



X7440

Male Stud Couplings
rubber seal

113



X7440

Male Stud Couplings
rubber seal

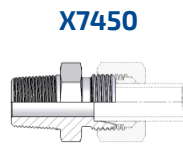
114



X7440

Male Stud Couplings
rubber seal

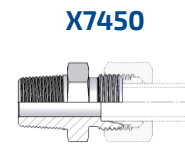
115



X7450

Male Stud Couplings

116



X7450

Male Stud Couplings

117



X7450

Male Stud Couplings

118



X7460



Stud Elbows

119



X7460

Stud Elbows

120



X7460

Stud Elbows

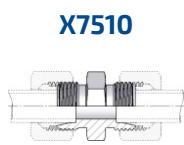
121



X7500

Straight couplings

122



X7510

Reduced Straight
couplings

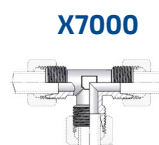
123



X7520

Equal Elbows

124



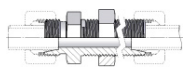
X7000

Equal Tees

125



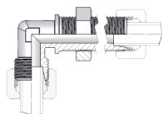
X7020



Straight Bulkhead Union

126

X7130



Bulkhead 90° Elbow Union

127



X7360



Straight fitting with O'Ring seal

128

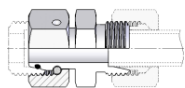
X7360



129



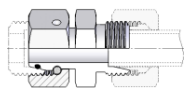
X7370



Standpipe/Tube Reducers 'L' Series with O.Ring Seal

130

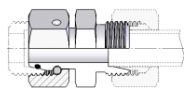
X7370



Standpipe/Tube Reducers 'L' Series with O.Ring Seal

131

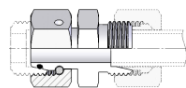
X7370



Standpipe/Tube Reducers 'S' Series with O.Ring Seal

132

X7370

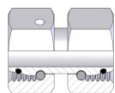


Standpipe/Tube Reducers 'S' Series with O.Ring Seal

133



X7380



Straight fitting with O'Ring

134



X7330

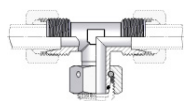


Angular rotary fitting with O.Ring Seal

135



X7340



Rotary fitting a Tees with O.Ring Seal

136

X7350



Rotary fitting a L with O.Ring Seal

137



X7200



Orientable Banjo elbows with seal ring

138

X7200

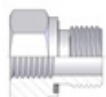


Orientable Banjo elbows with seal ring

139



X7240

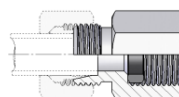


Riduzione Maschio-Femmina con guarnizione piana

141



X7030

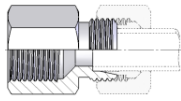


Gauge Couplings

142



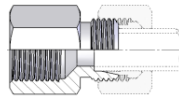
X7250



Female Stud Couplings

143

X7250



Female Stud Couplings

144



X7260



Inner hexagon plugPacking ring

145

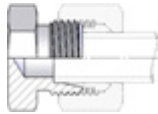
X7260



Inner hexagon plugPacking ring

146

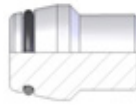
X7270



Pipe plug

147

X7290

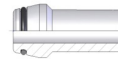


Pipe plug with O-Ring seal

148



X7280

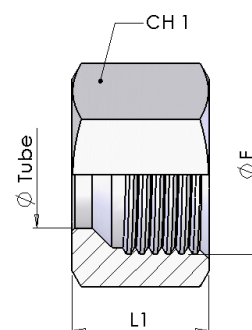


Welding Nipples with O-Ring Seal

149

X7400

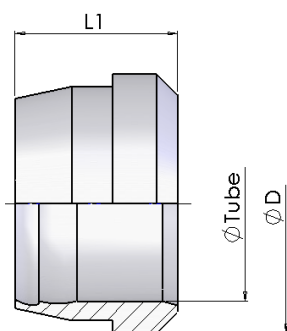
Dado di serraggio



W.P.	Part number	Ø Tube	Dimensions		
			Thread		
bar		mm	ØF	CH1	L1
LL100	X7400-04LL	4	M 8x1	10	11
	X7400-06LL	6	M 10x1	12	11.5
	X7400-08LL	8	M 12x1	14	12
	X7400-10LL	10	M 14x1	17	12.5
	X7400-12LL	12	M 16x1	19	13
L315	X7400-06L	6	M 12x1,5	14	14.5
	X7400-08L	8	M 14x1,5	17	14.5
	X7400-10L	10	M 16x1,5	19	15.5
	X7400-12L	12	M 18x1,5	22	15.5
	X7400-15L	15	M 22x1,5	27	17
L160	X7400-18L	18	M 26x1,5	32	18
	X7400-22L	22	M 30x2	36	20
	X7400-28L	28	M 36x2	41	21
	X7400-35L	35	M 45x2	50	24
S630	X7400-42L	42	M 52x2	60	24
	X7400-06S	6	M 14x1,5	17	16.5
	X7400-08S	8	M 16x1,5	19	16.5
	X7400-10S	10	M 18x1,5	22	17.5
	X7400-12S	12	M 20x1,5	24	17.5
S400	X7400-14S	14	M 22x1,5	27	20.5
	X7400-16S	16	M 24x1,5	30	20.5
	X7400-20S	20	M 30x2	36	24
	X7400-25S	25	M 36x2	46	27
S315	X7400-30S	30	M 42x2	50	29
	X7400-38S	38	M 52x2	60	32.5

X7410

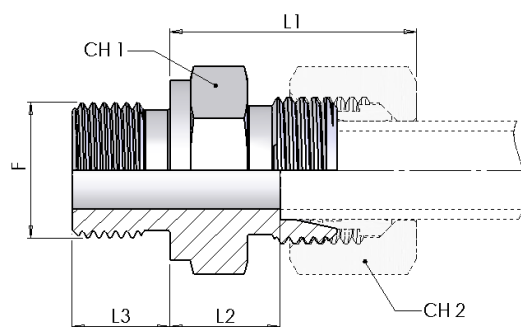
Anellino tagliente



W.P.	Part number	Ø Tube	Dimensions	
			Ø D	L1
bar		mm		
LL100	X7410-04LL	4	6	6
	X7410-06LL	6	8	7
	X7410-08LL	8	10	7
	X7410-10LL	10	12	7
	X7410-12LL	12	14	7.5
LS315	X7410-06LS	6	10	9.5
	X7410-08LS	8	12	9.5
LS630	X7410-10LS	10	14	10
	X7410-12LS	12	16	10
L315	X7410-15L	15	19	10
	X7410-18L	18	23	10
L160	X7410-22L	22	27	10.5
	X7410-28L	28	33	11
	X7410-35L	35	41	13
	X7410-42L	42	48	13
S630	X7410-14S	14	19	10
S400	X7410-16S	16	21	10.5
	X7410-20S	20	26	12
	X7410-25S	25	32	12
	X7410-30S	30	36	13
S630	X7410-38S	38	44	13

X7430

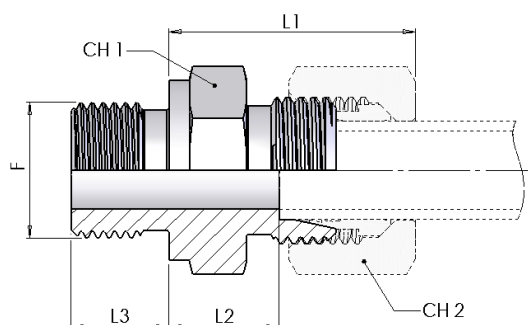
Terminale diritto



W.P.	Part number	Ø Tube	Dimensions					
			Thread	CH1	CH2	L1	L2	L3
bar		mm	ØF					
L315	X7430-06LR-1	6	G 1/8	14	14	23	8.5	8
S630	X7430-06SR-1	6	G 1/4	19	17	28	13	12
	X7430-06SR08-1	6	G 1/2	27	17	33	18	14
L315	X7430-06LR04-1	6	G 1/4	19	14	24.5	10	12
S630	X7430-08SR-1	8	G 1/4	19	19	30	15	12
L315	X7430-06LR06-1	6	G 3/8	22	14	26	11.5	12
	X7430-06LR08-1	6	G 1/2	27	14	27	12	14
S630	X7430-08SR06-1	8	G 3/8	22	19	30.5	15.5	12
	X7430-10SR-1	10	G 3/8	22	22	31	15	12
L315	X7430-08LR-1	8	G 1/4	19	17	25	10	12
	X7430-08LR02-1	8	G 1/8	14	17	24.5	9.5	8
S630	X7430-10SR04-1	10	G 1/4	19	22	30.5	14.5	12
L315	X7430-08LR06-1	8	G 3/8	22	17	26.5	11.5	12
S630	X7430-10SR08-1	10	G 1/2	27	22	33.5	17.5	14
	X7430-12SR-1	12	G 3/8	22	24	33	17	12
L315	X7430-08LR08-1	8	G 1/2	27	17	27	12	14
	X7430-10LR-1	10	G 1/4	19	19	26	11	12
S630	X7430-12SR04-1	12	G 1/4	22	24	32.5	16.5	12
L315	X7430-10LR02-1	10	G 1/8	17	19	25.5	10.5	8
S630	X7430-12SR08-1	12	G 1/2	27	24	33.5	17.5	14
L315	X7430-10LR06-1	10	G 3/8	22	19	27.5	12.5	12
S630	X7430-14SR-1	14	G 1/2	27	27	37	19	14
L315	X7430-10LR08-1	10	G 1/2	27	19	28	13	14
S630	X7430-14SR06-1	14	G 3/8	24	27	36.5	18.5	12
S400	X7430-16SR-1	16	G 1/2	27	30	37	18.5	14
L315	X7430-12LR-1	12	G 3/8	22	22	27	12.5	12
	X7430-12LR04-1	12	G 1/4	19	22	26.5	12	12
S400	X7430-16SR06-1	16	G 3/8	27	30	36.5	18	12
	X7430-16SR12-1	16	G 3/4	32	30	39	20.5	16
L315	X7430-12LR08-1	12	G 1/2	27	22	27.5	13	14

X7430

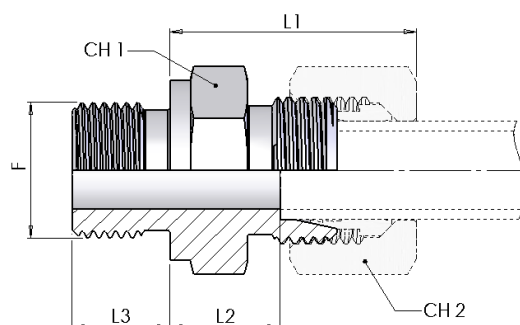
Terminale dritto



W.P.	Part number	Ø Tube	Dimensions					
			Thread					
bar		mm	ØF	CH1	CH2	L1	L2	L3
L315	X7430-12LR12-1	12	G 3/4	32	22	29	14	16
S400	X7430-20SR-1	20	G 3/4	32	36	42	20.5	16
	X7430-20SR08-1	20	G 1/2	32	36	42	20.5	14
L315	X7430-15LR-1	15	G 1/2	27	27	29	14	14
S400	X7430-25SR-1	25	G 1	41	46	47	23	18
L315	X7430-15LR06-1	15	G 3/8	24	27	28.5	13.5	12
S400	X7430-25SR12-1	25	G 3/4	41	46	47	23	16
L315	X7430-15LR12-1	15	G 3/4	32	27	30	15	16
S400	X7430-30SR-1	30	G 1 1/4	50	50	50	23.5	20
L315	X7430-18LR-1	18	G 1/2	27	32	31	14.5	14
S400	X7430-30SR16-1	30	G 1	46	50	50	23.5	18
L315	X7430-18LR06-1	18	G 3/8	27	32	29	14	12
S315	X7430-38SR-1	38	G 1 1/2	55	60	57	26	22
L315	X7430-18LR12-1	18	G 3/4	32	32	31	14.5	16
L160	X7430-22LR-1	22	G 3/4	32	36	33	16.5	16
S315	X7430-38SR20-1	38	G 1 1/4	55	60	57	26	20
	X7430-22LR08-1	22	G 1/2	32	36	33	16.5	14
L160	X7430-22LR16-1	22	G 1	41	36	34	17.5	18
	X7430-28LR-1	28	G 1	41	41	34	17.5	18
	X7430-28LR12-1	28	G 3/4	41	41	34	17.5	16
	X7430-35LR-1	35	G 1 1/4	50	50	39	17.5	20
	X7430-35LR16-1	35	G 1/2	46	50	39	17.5	18
	X7430-42LR-1	42	G 1 1/2	55	60	42	19	22

X7430

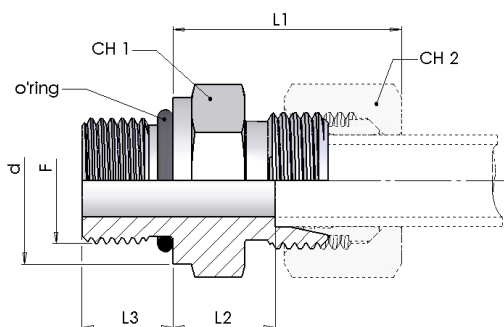
Terminale diritto



W.P.	Part number	Ø Tube	Dimensions					
			Thread					
bar		mm	ØF	CH1	CH2	L1	L2	L3
L315	X7430-06LM-1	6	M 10x1	14	14	23	8.5	8
	X7430-08LM-1	8	M 12x1,5	19	17	25	10	12
	X7430-08LM18-1	8	M 18x1,5	24	17	26.5	11.5	12
	X7430-10LM-1	10	M 14x1,5	19	19	26	11	12
	X7430-10LM16-1	10	M 16x1,5	22	19	27.5	12.5	12
	X7430-10LM18-1	10	M 18x1,5	24	19	27.5	12.5	12
	X7430-10LM22-1	10	M 22x1,5	27	19	29	14	14
	X7430-12LM-1	12	M 16x1,5	22	22	27	12.5	12
	X7430-12LM14-1	12	M 14x1,5	19	22	27	12.5	12
	X7430-12LM18-1	12	M 18x1,5	24	22	27	12.5	12
	X7430-12LM22-1	12	M 22x1,5	27	22	28.5	14	14
	X7430-15LM-1	15	M 18x1,5	27	27	29	14	14
	X7430-15LM16-1	15	M 16x1,5	24	27	28	13	12
	X7430-15LM22-1	15	M 22x1,5	27	27	30	15	14
	X7430-18LM-1	18	M 22x1,5	27	32	31	14.5	14
X7430-18LM18-1	18	M 18x1,5	27	32	30.5	14	12	
L160	X7430-22LM-1	22	M 26x1,5	32	36	33	16.5	16
	X7430-22LM22-1	22	M 22x1,5	32	36	33	16.5	14
	X7430-28LM-1	28	M 33x2	41	41	34	17.5	18
	X7430-35LM-1	35	M 42x2	50	50	39	17.5	20
	X7430-42LM-1	42	M 48x2	55	60	42	19	22
S630	X7430-06SM-1	6	M 12x1,5	19	17	28	13	12
	X7430-08SM-1	8	M 14x1,5	19	19	30	15	12
	X7430-10SM-1	10	M 16x1,5	22	22	31	15	12
	X7430-12SM-1	12	M 18x1,5	24	24	33	17	12
	X7430-12SM22-1	12	M 22x1,5	27	24	33.5	17.5	14
	X7430-14SM-1	14	M 20x1,5	27	27	37	19	14
	X7430-16SM-1	16	M 22x1,5	27	30	37	18.5	14
S400	X7430-16SM18-1	16	M 18x1,5	27	30	36.5	18	12
	X7430-20SM-1	20	M 27x2	32	36	42	20.5	16
	X7430-25SM-1	25	M 33x2	41	46	47	23	18
S315	X7430-30SM-1	30	M 42x2	50	50	50	23.5	20
	X7430-38SM-1	38	M 48x2	55	60	57	26	22

X7430

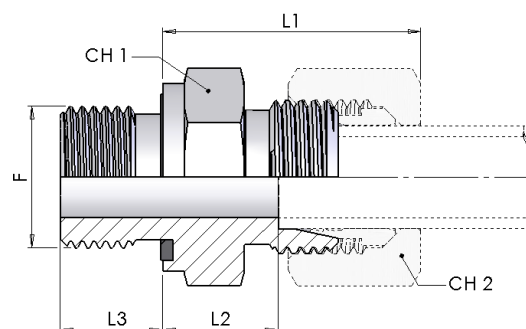
Terminale diritto con O'Ring



W.P.	Part number	Ø Tube	Dimensions							O-Ring
			Thread							
bar		mm	ØF	CH1	CH2	Ø D	L1	L2	L3	
L315	X7430-08LU04-1	8	7/16-20 UNF	14	17	13.8	25	10	9	8,92x1,83
	X7430-10LU04-1	10	7/16-20 UNF	17	19	13.8	26	11	9	8,92x1,83
	X7430-12LU06-1	12	9/16-18 UNF	19	22	16.8	25.5	11	10	11,9x1,98
	X7430-12LU08-1	12	3/4-16 UNF	22	22	21.8	27.5	13	11	16,36x2,20
	X7430-12LU10-1	12	7/8-14 UNF	27	22	26.8	29	14.5	12.5	19,18x2,46
	X7430-15LU08-1	15	3/4-16 UNF	24	27	21.8	29	14	11	16,36x2,2
	X7430-15LU10-1	15	7/8-14 UNF	24	27	22.3	29	14	11	16,36x2,2
	X7430-18LU08-1	18	3/4-16 UNF	27	32	21.8	31	14.5	11	16,36x2,2
	X7430-18LU10-1	18	7/8-14 UNF	27	32	26.8	31.5	15	12.5	19,18x2,46
L160	X7430-22LU10-1	22	7/8-14 UNF	32	36	26.8	33.5	17	12.5	19,18x2,46
	X7430-22LU12-1	22	1 1/16-12 UN	32	36	31.8	33	16.5	15	23,47x2,95
	X7430-22LU16-1	22	1 5/16-12 UN	41	36	40.8	34	17.5	15	29,74x2,95
	X7430-28LU12-1	28	1 1/16-12 UN	41	41	31.8	34	17.5	15	23,47x2,95
	X7430-28LU16-1	28	1 5/16-12 UN	41	41	40.8	34	17.5	15	29,74x2,95
	X7430-35LU16-1	35	1 5/16-12 UN	46	50	40.8	39	17.5	15	29,74x2,95
	X7430-35LU20-1	35	1 5/8-12 UN	50	50	49.8	39	17.5	15	37,46x3
S630	X7430-42LU20-1	42	1 5/8-12 UN	55	60	49.8	42	19	15	37,46x3
	X7430-08SU04-1	8	7/16-20 UNF	17	19	13.8	30	15	9	8,92x1,83
	X7430-10SU06-1	10	9/16-18 UNF	19	22	16.8	30.5	14.5	10	11,9x1,98
	X7430-12SU06-1	12	9/16-18 UNF	22	24	16.8	30.5	14.5	10	11,9x1,98
S400	X7430-12SU08-1	12	3/4-16 UNF	22	24	21.8	33.5	17.5	11	16,36x2,20
	X7430-16SU08-1	16	3/4-16 UNF	27	30	21.8	34	15.5	11	16,36x2,20
	X7430-16SU10-1	16	7/8-14 UNF	27	30	26.8	37.5	19	12.5	19,18x2,46
	X7430-20SU08-1	20	3/4-16 UNF	32	36	21.8	42	20.5	11	16,36x2,20
	X7430-20SU10-1	20	7/8-14 UNF	32	36	26.8	42.5	21	12.5	19,18x2,46
	X7430-20SU12-1	20	1 1/16-12 UN	32	36	31.8	42	20.5	15	23,47x2,95
	X7430-25SU12-1	25	1 1/16-12 UN	36	46	31.8	47	23	15	23,47x2,95
	X7430-25SU16-1	25	1 5/16-12 UN	41	46	40.8	47	23	15	29,74x2,95
	X7430-30SU16-1	30	1 5/16-12 UN	46	50	40.8	50	23.5	15	29,74x2,95
S315	X7430-30SU20-1	30	1 5/8-12 UN	50	20	49.8	50	23.5	15	37,46x3
	X7430-38SU20-1	38	1 5/8-12 UN	55	60	49.8	57	26	15	37,46x3

X7440

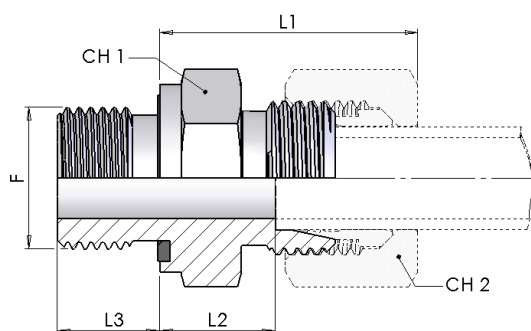
Terminale diritto con guarnizione piana



W.P.	Part number	Ø Tube	Dimensions					
			Thread					
bar		mm	ØF	CH1	CH2	L1	L2	L3
L315	X7440-06LR-1	6	G 1/8	14	14	23	8.5	8
	X7440-06LR04-1	6	G 1/4	19	14	24.5	10	12
	X7440-06LR06-1	6	G 3/8	22	14	26	11.5	12
	X7440-08LR-1	8	G 1/4	19	17	25	10	12
	X7440-08LR02-1	8	G 1/8	14	17	24.5	9.5	8
	X7440-08LR06-1	8	G 3/8	22	17	26.5	11.5	12
	X7440-08LR08-1	8	G 1/2	27	17	27	12	14
	X7440-10LR-1	10	G 1/4	19	19	26	11	12
	X7440-10LR02-1	10	G 1/8	17	19	25.5	110.5	8
	X7440-10LR06-1	10	G 3/8	22	19	27.5	12.5	12
	X7440-10LR08-1	10	G 1/2	27	19	28	13	14
	X7440-12LR-1	12	G 3/8	22	22	27	12.5	12
	X7440-12LR04-1	12	G 1/4	19	22	26.5	12	12
	X7440-12LR08-1	12	G 1/2	27	22	27.5	13	14
	X7440-15LR-1	15	G 1/2	27	27	29	14	14
	X7440-15LR06-1	15	G 3/8	24	27	28.5	13.5	12
	X7440-15LR12-1	15	G 3/4	32	27	30	15	16
	X7440-18LR-1	18	G 1/2	27	32	31	14.5	14
X7440-18LR12-1	18	G 3/4	32	32	31	14.5	16	
L160	X7440-22LR-1	22	G 3/4	32	36	33	16.5	16
	X7440-22LR08-1	22	G 1/2	32	36	33	16.5	14
	X7440-22LR16-1	22	G 1	41	36	34	17.5	18
	X7440-28LR-1	28	G 1	41	41	34	17.5	18
	X7440-28LR12-1	28	G 3/4	41	41	34	17.5	16
	X7440-35LR-1	35	G 1 1/4	50	50	39	17.5	20
	X7440-35LR16-1	35	G 1	46	50	39	17.5	18
X7440-42LR-1	42	G 1 1/2	55	60	42	19	22	
S630	X7440-06SR-1	6	G 1/4	19	17	28	13	12
	X7440-08SR-1	8	G 1/4	19	19	30	15	12
	X7440-08SR06-1	8	G 3/8	22	19	30.5	15.5	12

X7440

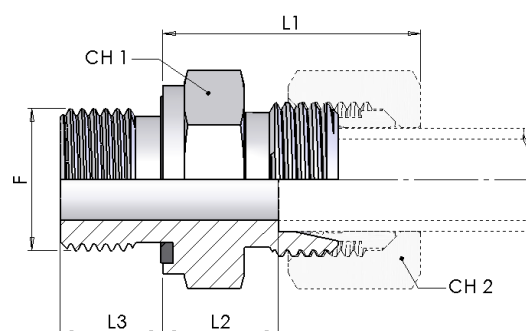
Terminale diritto con guarnizione piana



W.P.	Part number	Ø Tube	Dimensions					
			Thread					
bar		mm	ØF	CH1	CH2	L1	L2	L3
S630	X7440-10SR-1	10	G 3/8	22	22	31	15	12
	X7440-10SR04-1	10	G 1/4	19	22	30.5	14.5	12
	X7440-10SR08-1	10	G 1/2	27	22	33.5	17.5	14
	X7440-12SR-1	12	G 3/8	22	24	33	17	12
	X7440-12SR04-1	12	G 1/4	22	24	32.5	16.5	12
	X7440-12SR08-1	12	G 1/2	27	24	33.5	17.5	14
	X7440-14SR-1	14	G 1/2	27	27	37	19	14
	X7440-14SR06-1	14	G 3/8	24	27	36.5	18.5	12
S400	X7440-16SR-1	16	G 1/2	27	30	37	18.5	14
	X7440-16SR06-1	16	G 3/8	27	30	36.5	18	12
	X7440-16SR12-1	16	G 3/4	32	30	39	20.5	16
	X7440-20SR-1	20	G 3/4	32	36	42	20.5	16
	X7440-20SR08-1	20	G 1/2	32	36	42	20.5	14
	X7440-25SR-1	25	G 1	41	46	44	22.5	18
	X7440-25SR12-1	25	G 3/4	41	46	47	23	16
	X7440-30SR-1	30	G 1 1/4	50	50	50	23.5	20
S315	X7440-30SR16-1	30	G 1	46	520	502	15.5	18
	X7440-38SR-1	38	G 1 1/2	55	60	57	26	22
	X7440-38SR20-1	38	G 1 1/4	55	60	57	26	20

X7440

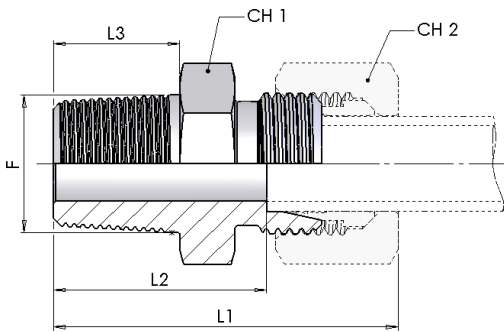
Terminale diritto con guarnizione piana



W.P.	Part number	Ø Tube	Dimensions					
			Thread					
bar		mm	ØF	CH1	CH2	L1	L2	L3
L315	X7440-06LM-1	6	M 10x1	14	14	23	8.5	8
	X7440-08LM-1	8	M 12x1,5	17	17	25	10	12
	X7440-10LM-1	10	M 14x1,5	19	19	26	11	12
	X7440-10LM16-1	10	M 16x1,5	22	19	27.5	12.5	12
	X7440-10LM18-1	10	M 18x1,5	24	19	27.5	12.5	12
	X7440-10LM22-1	10	M 22x1,5	27	19	29	14	14
	X7440-12LM-1	12	M 16x1,5	22	22	27	12.5	12
	X7440-12LM14-1	12	M 14x1,5	19	22	27	12.5	12
	X7440-12LM18-1	12	M 18x1,5	24	22	27	12.5	12
	X7440-12LM22-1	12	M 22x1,5	27	22	28.5	14	14
	X7440-15LM-1	15	M 18x1,5	24	27	2	13.5	12
	X7440-15LM16-1	15	M 16x1,5	24	27	28	13	12
	X7440-15LM22-1	15	M 22x1,5	27	27	30	15	14
	X7440-18LM-1	18	M 22x1,5	27	32	31	14.5	14
X7440-18LM18-1	18	M 18x1,5	27	32	30.5	14	12	
L160	X7440-22LM-1	22	M 26x1,5	32	36	33	16.5	16
	X7440-22LM22-1	22	M 22x1,5	32	36	33	16.5	14
	X7440-28LM-1	28	M 33x2	41	41	34	17.5	18
	X7440-35LM-1	35	M 42x2	50	50	39	17.5	20
	X7440-42LM-1	42	M 48x2	55	60	42	19	22
S630	X7440-06SM-1	6	M 12x1,5	17	17	28	13	12
	X7440-08SM-1	8	M 14x1,5	19	19	30	15	12
	X7440-10SM-1	10	M 16x1,5	22	22	31	15	12
	X7440-12SM-1	12	M 18x1,5	24	24	33	17	12
	X7440-12SM22-1	12	M 22x1,5	27	24	33.5	17.5	14
	X7440-14SM-1	14	M 20x1,5	27	27	37	19	14
S400	X7440-16SM-1	16	M 22x1,5	27	30	37	18.5	14
	X7440-16SM18-1	16	M 18x1,5	27	30	36.5	18	12
	X7440-20SM-1	20	M 27x2	32	36	42	20.5	16
	X7440-25SM-1	25	M 33x2	41	46	47	23	18
	X7440-30SM-1	30	M 42x2	50	50	50	23.5	20
S315	X7440-38SM-1	38	M 48x2	55	60	57	26	22

X7450

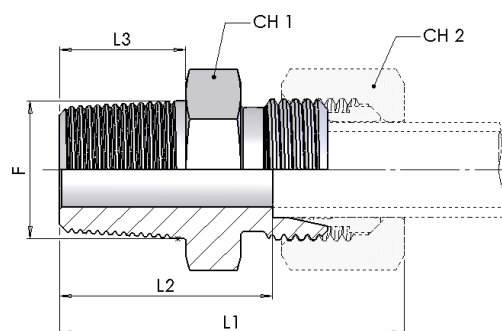
Terminale diritto



W.P.	Part number	Ø Tube	Dimensions					
			Thread					
bar		mm	ØF	CH1	CH2	L1	L2	L3
LL100	X7450-04LLR-1	4	R 1/8 K	12	10	26.5	16	8
	X7450-06LLR-1	6	R 1/8 K	12	12	26.5	14.5	8
	X7450-08LLR-1	8	R 1/8 K	12	14	28.5	16.5	8
	X7450-08LLR04-1	8	R 1/4 K	14	14	32	20.5	12
	X7450-10LLR-1	10	R 1/4 K	14	17	32	20.5	12
	X7450-12LLR-1	12	R 1/4 K	17	19	32	20	12
	X7450-12LLR06-1	12	R 3/8 K	17	19	32	20	12
L315	X7450-06LR-1	6	R 1/8 K	12	14	30	15	8
	X7450-06LR04-1	6	R 1/4 K	14	14	34.5	20	12
	X7450-08LR-1	8	R 1/4 K	17	17	35	20	12
	X7450-10LR-1	10	R 1/4 K	17	19	36	21	12
	X7450-12LR-1	12	R 3/8 K	19	22	36.5	22	12
	X7450-12LR04-1	12	R 1/4 K	19	22	36.5	22	12
	X7450-12LR08-1	12	R 1/2 K	22	22	38.5	24	14
	X7450-15LR-1	15	R 1/2 K	24	27	40	25	14
	X7450-15LR06-1	15	R 3/8 K	24	27	38	23	12
L160	X7450-18LR-1	18	R 1/2 K	27	32	42	25.5	14
	X7450-22LR-1	22	R 3/4 K	32	36	46	29.5	16
	X7450-28LR-1	28	R 1 K	41	41	49	32.5	18
	X7450-35LR-1	35	R 1 1/4 K	46	50	56	34.5	20
	X7450-42LR-1	42	R 1 1/2 K	55	60	61	38	22
S630	X7450-06SR-1	6	R 1/4 K	17	17	38	23	12
	X7450-08SR-1	8	R 1/4 K	17	19	40	25	12
	X7450-10SR-1	10	R 3/8 K	19	22	40.5	24.5	12
	X7450-12SR-1	12	R 3/8 K	22	24	42.5	26.5	12
	X7450-14SR-1	14	R 1/2 K	24	27	48	30	14
S400	X7450-16SR-1	16	R 1/2 K	27	30	48	29.5	14
	X7450-20SR-1	20	R 3/4 K	32	36	55	33.5	16
	X7450-25SR-1	25	R 1 K	41	46	62	38	18
S315	X7450-30SR-1	30	R 1 1/4 K	46	50	67	40.5	20
	X7450-38SR-1	38	R 1 1/2 K	55	60	76	45	22

X7450

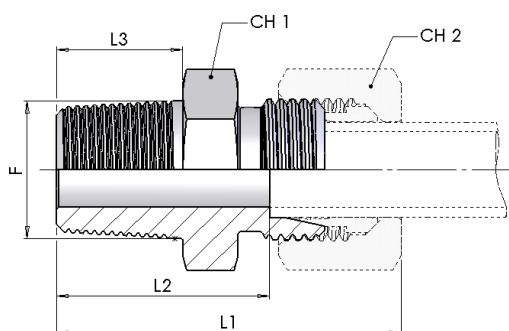
Terminale diritto



W.P.	Part number	Ø Tube	Dimensions				
			CH1	CH2	L1	L2	L3
bar		mm					
LL100	X7450-04LLM-1	4	12	10	26.5	16	8
	X7450-06LLM-1	6	12	12	26.5	14.5	8
	X7450-08LLM-1	8	12	14	28.5	16.5	8

X7450

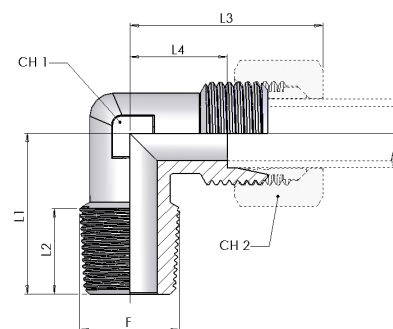
Terminale diritto



W.P.	Part number	Ø Tube	Dimensions					
			Thread	CH1	CH2	L1	L2	L3
bar		mm	ØF					
LL100	X7450-04LLN-1	4	1/8 NPT	12	10	28	18	10
	X7450-06LLN-1	6	1/8 NPT	12	12	28	16.5	10
	X7450-08LLN-1	8	1/8 NPT	12	14	30	18.5	10
L315	X7450-06LN-1	6	1/8 NPT	12	14	31.5	17	10
	X7450-08LN-1	8	1/4 NPT	17	17	38	23	15
	X7450-10LN-1	10	1/4 NPT	17	19	39	24	15
	X7450-10LN06-1	10	3/8 NPT	19	19	40	25	15
	X7450-12LN-1	12	3/8 NPT	19	22	39.5	25	15
	X7450-12LN04-1	12	1/4 NPT	19	22	39.5	25	15
	X7450-12LN08-1	12	1/2 NPT	22	22	44.5	30	19.5
	X7450-15LN-1	15	1/2 NPT	24	27	46	31	19.5
L160	X7450-18LN-1	18	1/2 NPT	27	32	48	31.5	19.5
	X7450-22LN-1	22	3/4 NPT	32	36	50	33.5	20
	X7450-28LN-1	28	1 NPT	41	41	56	39.5	25
	X7450-35LN-1	35	1 1/4 NPT	46	50	62	40.5	25.5
L315	X7450-42LN-1	42	1 1/2 NPT	55	60	65	42	26
	X7450-6LN04-1	6	1/4 NPT	14	14	37.5	23	15
S630	X7450-06SN-1	6	1/4 NPT	17	17	41	26	15
	X7450-08SN-1	8	1/4 NPT	17	19	43	28	15
	X7450-10SN-1	10	3/8 NPT	19	22	43.5	27.5	15
	X7450-10SN04-1	10	1/4 NPT	19	22	44	25.5	13
	X7450-12SN-1	12	3/8 NPT	22	24	45.5	29.5	15
	X7450-12SN04-1	12	1/4 NPT	22	24	46	27.5	13
	X7450-12SN08-1	12	1/2 NPT	22	24	50.5	34.5	19.5
S400	X7450-14SN-1	14	1/2 NPT	24	27	54	36	19.5
	X7450-16SN-1	16	1/2 NPT	27	30	54	35.5	19.5
	X7450-20SN-1	20	3/4 NPT	32	36	59	37.5	20
	X7450-25SN-1	25	1 NPT	41	46	69	45	25
S315	X7450-30SN-1	30	1 1/4 NPT	46	50	73	46.5	25.5
S315	X7450-38SN-1	38	1 1/2 NPT	55	60	80	49	26

X7460

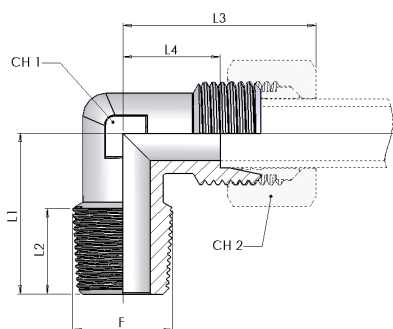
Terminale a gomito



W.P.	Part number	Ø Tube	Dimensions						
			Thread						
bar		mm	ØF	CH1	CH2	L1	L2	L3	L4
LL100	X7460-04LLR-1	4	R 1/8 K	9	10	17	8	21	11
	X7460-06LLR-1	6	R 1/8 K	9	12	17	8	21	9.5
	X7460-08LLR-1	8	R 1/8 K	12	14	20	8	23	11.5
	X7460-10LLR-1	10	R 1/4 K	14	17	25	12	27	15
	X7460-12LLR-1	12	R 1/4 K	17	19	23	12	25	13
L315	X7460-06LR-1	6	R 1/8 K	12	14	20	8	27	12
	X7460-08LR-1	8	R 1/4 K	12	17	26	12	29	14
	X7460-08LR06-1	8	R 3/8 K	17	17	28	12	31	16
	X7460-10LR-1	10	R 1/4 K	14	19	27	12	30	15
	X7460-10LR06-1	10	R 3/8 K	17	19	28	12	32	17
	X7460-12LR-1	12	R 3/8 K	17	22	28	12	32	17
	X7460-12LR04-1	12	R 1/4 K	17	22	28	12	32	17
	X7460-12LR08-1	12	R 1/2 K	19	22	34	14	34	20
L160	X7460-15LR-1	15	R 1/2 K	19	27	34	14	36	21
	X7460-18LR-1	18	R 1/2 K	24	32	36	14	40	23.5
	X7460-22LR-1	22	R 3/4 K	27	36	42	16	44	27.5
	X7460-28LR-1	28	R 1 K	36	41	48	18	47	30.5
S630	X7460-35LR-1	35	R 1 1/4 K	41	50	54	20	56	34.5
	X7460-42LR-1	42	R 1 1/2 K	50	60	61	22	63	40
	X7460-06SR-1	6	R 1/4 K	12	17	26	12	31	16
	X7460-08SR-1	8	R 1/4 K	14	19	27	12	32	17
S400	X7460-10SR-1	10	R 3/8 K	17	22	28	12	34	17.5
	X7460-12SR-1	12	R 3/8 K	17	24	28	12	38	21.5
	X7460-14SR-1	14	R 1/2 K	19	27	32	14	40	22
S315	X7460-16SR-1	16	R 1/2 K	24	30	32	14	43	24.5
	X7460-20SR-1	20	R 3/4 K	27	36	42	16	48	26.5
	X7460-25SR-1	25	R 1 K	36	46	48	18	54	30
	X7460-30SR-1	30	R 1 1/4 K	41	50	54	20	62	35.5
	X7460-38SR-1	38	R 1 1/2 K	50	60	61	22	72	41

X7460

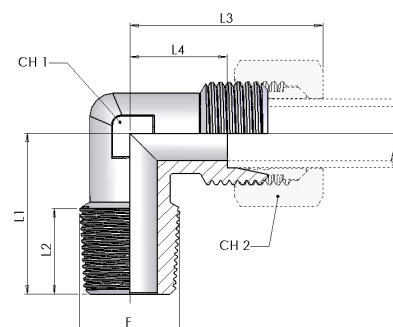
Terminale a gomito



W.P.	Part number	Ø Tube	Dimensions						
			Thread						
bar		mm	ØF	CH1	CH2	L1	L2	L3	L4
LL100	X7460-04LLM-1	4	M 8x1 K	9	10	17	8	21	11
	X7460-06LLM-1	6	M 10x1 K	9	12	17	8	21	9.5
	X7460-08LLM-1	8	M 10x1 K	12	14	20	8	23	11.5
L315	X7460-06LM-1	6	M 10x1 K	12	14	20	8	27	12
	X7460-08LM-1	8	M 12x1,5 K	12	17	26	12	29	14
	X7460-10LM-1	10	M 14x1,5 K	14	19	27	12	30	15
	X7460-12LM-1	12	M 16x1,5 K	17	22	28	12	32	17
	X7460-15LM-1	15	M 18x1,5 K	19	27	32	12	36	21
S630	X7460-18LM-1	18	M 22x1,5 K	24	32	36	14	40	23.5
	X7460-06SM-1	6	M 12x1,5 K	12	17	26	12	31	16
	X7460-08SM-1	8	M 14x1,5 K	14	19	27	12	32	17
	X7460-10SM-1	10	M 16x1,5 K	17	22	28	12	34	17.5
	X7460-12SM-1	12	M 18x1,5 K	17	24	28	12	38	21.5
S400	X7460-14SM-1	14	M 20x1,5 K	19	27	32	14	40	22
	X7460-16SM-1	16	M 22x1,5 K	24	30	32	14	43	24.5

X7460

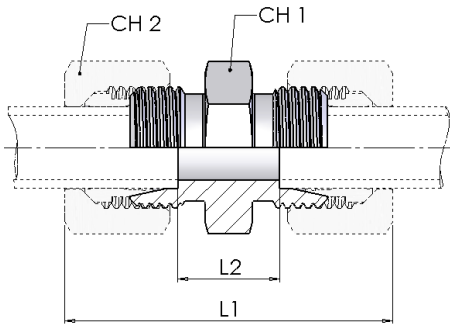
Terminale a gomito



W.P.	Part number	Ø Tube	Dimensions						
			Thread	CH1	CH2	L1	L2	L3	L4
bar		mm	ØF						
LL100	X7460-04LLN-1	4	1/8 NPT	9	10	17	8	21	11
	X7460-06LLN-1	6	1/8 NPT	9	12	17	8	21	9.5
	X7460-08LLN-1	8	1/8 NPT	12	14	20	8	23	11.5
L315	X7460-06LN-1	6	1/8 NPT	12	14	20	10	27	12
	X7460-08LN-1	8	1/4 NPT	12	17	26	15	29	14
	X7460-10LN-1	10	1/4 NPT	14	19	27	15	30	15
	X7460-12LN-1	12	3/8 NPT	17	22	28	15	32	17
	X7460-12LN04-1	12	1/4 NPT	17	22	28	15	32	17
	X7460-12LN08-1	12	1/2 NPT	19	22	34	19.5	35	20
	X7460-15LN-1	15	1/2 NPT	19	27	34	19.5	36	21
L160	X7460-18LN-1	18	1/2 NPT	24	32	36	19.5	40	23.5
	X7460-22LN-1	22	3/4 NPT	27	36	42	20	44	27.5
L315	X7460-28LN-1	28	1 NPT	36	41	48	25	47	30.5
	X7460-12LR08-1	12	R 1/2 K	19	22	34	14	34	20
L160	X7460-35LN-1	35	1 1/4 NPT	41	50	57	25.5	56	34.5
	X7460-42LN-1	42	1 1/2 NPT	50	60	61	26	63	40
S630	X7460-06SN-1	6	1/4 NPT	12	17	26	15	31	16
	X7460-08SN-1	8	1/4 NPT	14	19	27	15	32	17
	X7460-10SN-1	10	3/8 NPT	17	22	28	15	34	17.5
	X7460-12SN-1	12	3/8 NPT	17	24	28	15	38	21.5
	X7460-14SN-1	14	1/2 NPT	19	27	34	19.5	40	22
S400	X7460-16SN-1	16	1/2 NPT	24	30	36	19.5	43	24.5
	X7460-20SN-1	20	3/4 NPT	27	36	42	20	48	26.5
	X7460-25SN-1	25	1 NPT	36	46	48	25	54	30
S315	X7460-30SN-1	30	1 1/4 NPT	41	50	54	25.5	62	35.5
S315	X7460-38SN-1	38	1 1/2 NPT	50	60	61	26	72	41

X7500

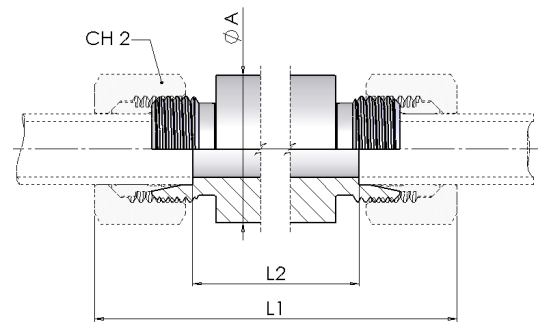
Intermedio diritto



W.P.	Part number	Ø Tube	Dimensions			
			CH1	CH2	L1	L2
bar		mm				
LL100	X7500-04LL-1	4	12	10	31	12
	X7500-06LL-1	6	12	12	32	9
	X7500-08LL-1	8	12	14	35	12
	X7500-10LL-1	10	14	17	35	12
	X7500-12LL-1	12	17	19	35	11
L315	X7500-06L-1	6	12	14	39	10
	X7500-08L-1	8	14	17	40	11
	X7500-10L-1	10	17	19	42	13
	X7500-12L-1	12	19	22	43	14
	X7500-15L-1	15	24	27	46	16
	X7500-18L-1	18	27	32	48	16
L160	X7500-22L-1	22	32	36	52	20
	X7500-28L-1	28	41	41	54	21
	X7500-35L-1	35	46	50	63	20
	X7500-42L-1	42	55	60	66	21
S630	X7500-06S-1	6	14	17	45	16
	X7500-08S-1	8	17	19	47	18
	X7500-10S-1	10	19	22	49	17
	X7500-12S-1	12	22	24	51	19
	X7500-14S-1	14	24	27	57	22
S400	X7500-16S-1	16	27	30	57	21
	X7500-20S-1	20	32	36	66	23
	X7500-25S-1	25	41	46	74	26
	X7500-30S-1	30	46	50	80	27
S315	X7500-38S-1	38	55	60	90	29

X7510

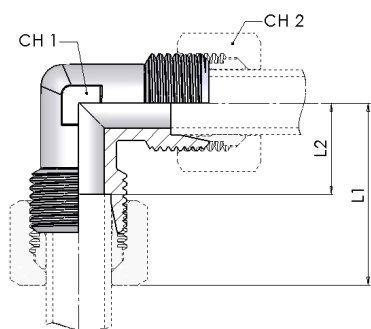
Intermedio diritto ridotto



W.P.	Part number	Ø Tube		Dimensions				
				CH1	CH2	CH3	L1	L2
bar		mm	d1					
LL100	X7510-06/04LL-1	4	6	12	12	10	32	10.5
	X7510-08/04LL-1	4	8	12	14	10	34	12.5
	X7510-08/06LL-1	6	8	12	14	12	34	11
L315	X7510-08/06L-1	6	8	14	17	14	40.5	11
	X7510-10/06L-1	6	10	17	19	14	41.5	12
	X7510-10/08L-1	8	10	17	19	17	42	12
	X7510-12/06L-1	6	12	19	22	14	42	13
	X7510-12/08L-1	8	12	19	22	17	42.5	13
	X7510-12/10L-1	10	12	19	22	19	43.5	14
	X7510-15/10L-1	10	15	24	27	19	45	15
	X7510-15/12L-1	12	15	24	27	22	44.5	15
	X7510-18/10L-1	10	18	27	32	19	47	15.5
	X7510-18/12L-1	12	18	27	32	22	46.5	15.5
	X7510-18/15L-1	15	18	27	32	27	48	16.5
L160	X7510-22/12L-1	12	22	32	36	22	48.5	17.5
	X7510-22/15L-1	15	22	32	36	27	50	18.5
	X7510-22/18L-1	18	22	32	36	32	51	18
	X7510-28/18L-1	18	28	41	41	32	52	19
	X7510-28/22L-1	22	28	41	41	36	54	21
	X7510-35/22L-1	22	35	46	50	36	59	21
S630	X7510-08/06S-1	6	8	17	19	17	48	18
	X7510-10/06S-1	6	10	19	22	17	48.5	17.5
	X7510-10/08S-1	8	10	19	22	19	48.5	17.5
	X7510-12/06S-1	6	12	22	24	17	50.5	19.5
	X7510-12/08S-1	8	12	22	24	19	50.5	19.5
	X7510-12/10S-1	10	12	22	24	22	51	19
	X7510-14/10S-1	10	14	24	27	22	54.5	20.5
	X7510-14/12S-1	12	14	24	27	24	54.5	20.5
S400	X7510-16/12S-1	12	16	27	30	24	54.5	20
	X7510-16/14S-1	14	16	27	30	27	58	21.5
	X7510-20/10S-1	10	20	32	36	22	59.5	22
	X7510-20/12S-1	12	20	332	36	24	59.5	22
	X7510-20/16S-1	16	20	32	36	30	63	23
	X7510-25/16S-1	16	25	41	46	30	68	25.5
	X7510-25/20S-1	20	25	41	46	36	71	25.5
	X7510-30/20S-1	20	30	46	50	36	74	26
S315	X7510-38/30S-1	30	38	55	60	50	87	29.5

X7520

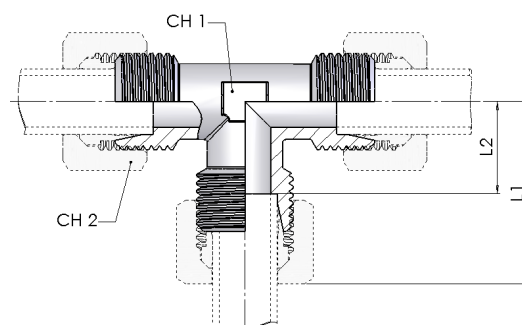
Intermedio a gomito



W.P.	Part number	Ø Tube	Dimensions			
			CH1	CH2	L1	L2
bar		mm				
LL100	X7520-04LL-1	4	10	9	21	11
	X7520-06LL-1	6	12	9	21	9.5
	X7520-08LL-1	8	9	10	21	11
	X7520-10LL-1	10	9	12	21	9.5
	X7520-12LL-1	12	12	14	23	11.5
L315	X7520-06L-1	6	12	14	27	12
	X7520-08L-1	8	12	17	29	14
	X7520-10L-1	10	14	19	30	15
	X7520-12L-1	12	17	22	32	17
	X7520-15L-1	15	19	27	36	21
	X7520-18L-1	18	24	32	40	23.5
L160	X7520-22L-1	22	27	36	44	27.5
	X7520-28L-1	28	36	41	47	30.5
	X7520-35L-1	35	41	50	56	34.5
	X7520-42L-1	42	50	60	63	40
S630	X7520-06S-1	6	12	17	31	16
	X7520-08S-1	8	14	19	32	17
	X7520-10S-1	10	17	22	34	17.5
	X7520-12S-1	12	17	24	38	21.5
	X7520-14S-1	14	19	27	40	22
S400	X7520-16S-1	16	24	30	43	24.5
	X7520-20S-1	20	27	36	48	26.5
	X7520-25S-1	25	36	46	54	30
	X7520-30S-1	30	41	50	62	35.5
S315	X7520-38S-1	38	50	60	72	41

X7000

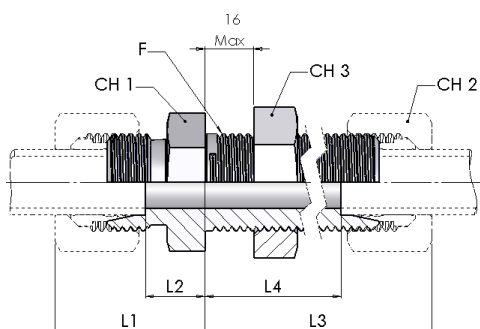
Intermedio a 'T'



W.P.	Part number	Ø Tube	Dimensions			
			CH1	CH2	L1	L2
bar		mm				
LL100	X7000-04LL-1	4	9	10	21	11
	X7000-06LL-1	6	9	12	21	9.5
	X7000-08LL-1	8	12	14	23	11.5
	X7000-10LL-1	10	14	17	27	15
	X7000-12LL-1	12	17	19	25	13
L315	X7000-06L-1	6	12	14	27	12
	X7000-08L-1	8	12	17	29	14
	X7000-10L-1	10	14	19	30	15
	X7000-12L-1	12	17	22	32	17
	X7000-15L-1	15	19	27	36	21
L160	X7000-18L-1	18	24	32	40	23.5
	X7000-22L-1	22	27	36	44	27.5
	X7000-28L-1	28	36	41	47	30.5
	X7000-35L-1	35	41	50	56	34.5
S630	X7000-42L-1	42	50	60	63	40
	X7000-06S-1	6	12	17	31	16
	X7000-08S-1	8	14	19	32	17
	X7000-10S-1	10	17	22	34	17.5
	X7000-12S-1	12	17	24	38	21.5
S400	X7000-14S-1	14	19	27	40	22
	X7000-16S-1	16	24.5	24	16	43
	X7000-20S-1	20	26.5	27	20	48
	X7000-25S-1	25	30	36	25	54
S315	X7000-30S-1	30	35.5	41	30	62
	X7000-38S-1	38	41	50	38	72

X7020

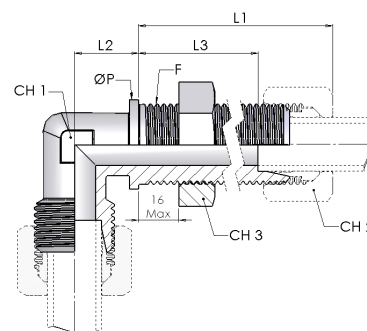
Passaparete Dritto



W.P.	Part number	Ø Tube	Dimensions							
			Thread							
bar		mm	ØF	CH1	CH2	CH3	L1	L2	L3	L4
L315	X7020-06L-1	6	M 12x1,5	17	14	17	22	7	42	27
	X7020-08L-1	8	M 14x1,5	19	17	19	23	8	42	27
	X7020-10L-1	10	M 16x1,5	22	19	22	25	10	43	28
	X7020-12L-1	12	M 18x1,5	24	22	24	25	10	44	29
	X7020-15L-1	15	M 22x1,5	27	27	30	27	12	46	31
	X7020-18L-1	18	M 26x1,5	32	32	36	30	13.5	49	32.5
L160	X7020-22L-1	22	M 30x2	36	36	41	33	16.5	51	34.5
	X7020-28L-1	28	M 36x2	41	41	46	35	18.5	52	35.5
	X7020-35L-1	35	M 45x2	50	50	55	40	18.5	58	36.5
	X7020-42L-1	42	M 52x2	60	60	65	42	19	59	36
S630	X7020-06S-1	6	M 14x1,5	19	17	19	27	12	44	29
	X7020-08S-1	8	M 16x1,5	22	19	22	28	13	44	29
	X7020-10S-1	10	M 18x1,5	24	22	24	31	14.5	46	29.5
	X7020-12S-1	12	M 20x1,5	27	24	27	31	14.5	47	30.5
	X7020-14S-1	14	M 22x1,5	30	27	30	35	17	50	32
S400	X7020-16S-1	16	M 24x1,5	32	30	32	35	16.5	50	31.5
	X7020-20S-1	20	M 30x2	41	36	41	39	17.5	55	33.5
	X7020-25S-1	25	M 36x2	46	46	46	44	20	59	35
	X7020-30S-1	30	M 42x2	50	50	50	48	21.5	64	37.5
S315	X7020-38S-1	38	M 52x2	65	60	65	53	22	68	30

X7130

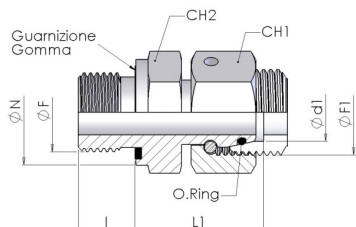
Passaparete a 90°



W.P.	Part number	Ø Tube	Dimensions							
			Thread							
bar		mm	ØF	CH1	CH2	CH3	L1	L2	L3	P
L315	X7130-06L-1	6	M 12x1,5	12	14	17	42	14	27	17
	X7130-08L-1	8	M 14x1,5	12	17	19	42	17	27	19
	X7130-10L-1	10	M 16x1,5	14	19	22	43	18	28	22
	X7130-12L-1	12	M 18x1,5	17	22	24	44	20	29	24
	X7130-15L-1	15	M 22x1,5	19	27	30	46	23	31	27
	X7130-18L-1	18	M 26x1,5	24	32	36	49	24	32.5	32
L160	X7130-22L-1	22	M 30x2	27	36	41	51	30	34.5	36
	X7130-28L-1	28	M 36x2	36	41	46	52	34	35.5	42
	X7130-35L-1	35	M 45x2	41	50	55	58	39	36.5	50
	X7130-42L-1	42	M 52x2	50	60	65	59	43	36	60
S630	X7130-06S-1	6	M 14x1,5	12	17	19	44	17	29	19
	X7130-08S-1	8	M 16x1,5	14	19	22	44	18	29	22
	X7130-10S-1	10	M 18x1,5	17	22	24	46	20	29.5	24
	X7130-12S-1	12	M 20x1,5	17	24	27	47	21	30.5	27
	X7130-14S-1	14	M 22x1,5	19	27	30	50	23	32	27
S400	X7130-16S-1	16	M 24x1,5	24	30	32	50	24	31.5	30
	X7130-20S-1	20	M 30x2	27	36	41	55	30	33.5	36
	X7130-25S-1	25	M 36x2	36	46	46	59	34	35	42
	X7130-30S-1	30	M 42x2	41	50	50	64	39	37.5	50
S315	X7130-38S-1	38	M 52x2	50	60	65	68	43	37	60

X7360

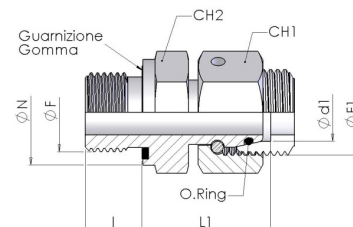
Raccordo diretto per combinazioni guarnizione gomma / O'Ring



W.P.	Part number	Ø Tube	Dimensions							O-Ring
			Thread		CH1	CH2	N	I	L1	
bar		d1	Ø F1	ØF	CH1	CH2	N	I	L1	
L315	X7360-06LR	6	M12x1,5	1/8"	14	14	14	8	24.5	4x1,5
	X7360-08LR	8	M14x1,5	1/4"	17	19	19	12	29.5	6x1,5
	X7360-10LR	10	M16x1,5	1/4"	19	19	19	12	27.5	7,5x1,5
	X7360-12LR	12	M18x1,5	3/8"	22	22	22	12	34	9x1,5
	X7360-15LR	15	M22x1,5	1/2"	27	27	27	14	32	12x2
	X7360-18LR	18	M26x1,5	1/2"	32	27	27	14	31.5	15x2
L160	X7360-22LR	22	M30x2	3/4"	36	32	32	16	32.5	20x2
	X7360-28LR	28	M36x2	1"	41	41	40	18	35	26x2
	X7360-35LR	35	M45x2	1" 1/4	50	50	50	20	42.5	32x2,5
	X7360-42LR	42	M52x2	1" 1/2	60	55	55	22	46.5	38x2,5
S630	X7360-06SR	6	M14x1,5	1/4"	17	19	19	12	27	4x1,5
	X7360-08SR	8	M16x1,5	1/4"	19	19	19	12	29.5	6x1,5
	X7360-10SR	10	M18x1,5	3/8"	22	22	22	12	32	7,5x1,5
	X7360-12SR	12	M20x1,5	3/8"	24	22	22	12	34	9x1,5
	X7360-14SR	14	M22x1,5	1/2"	27	27	27	14	36.5	10x2
S400	X7360-16SR	16	M24x1,5	1/2"	30	27	27	14	37	12x2
	X7360-20SR	20	M30x2	3/4"	36	32	32	16	43	16,3x2,4
	X7360-25SR	25	M36x2	1"	46	41	40	18	48	20,3x2,4
	X7360-30SR	30	M42x2	1" 1/4	50	50	50	20	51	25,3x2,4
S315	X7360-38SR	38	M52x2	1" 1/2	60	55	55	22	60	33,3x2,4

X7360

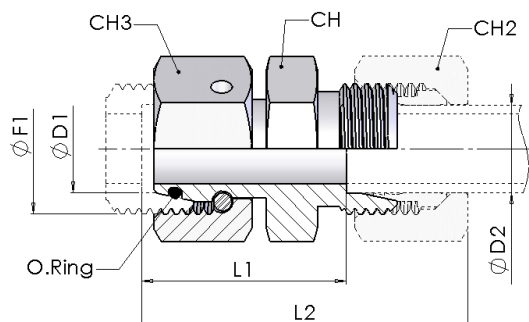
Raccordo diretto per combinazioni guarnizione gomma / O' Ring



W.P.	Part number	Ø Tube	Dimensions							O-Ring
			Thread							
bar		d1	Ø F1	ØF	CH1	CH2	N	I	L1	
L315	X7360-06LM	6	M12x1,5	M10x1	14	14	14	8	24.5	4x1,5
	X7360-08LM	8	M14x1,5	M12x1,5	17	17	17	12	26.5	6x1,5
	X7360-10LM	10	M16x1,5	M14x1,5	19	19	19	12	27.5	7,5x1,5
	X7360-12LM	12	M18x1,5	M16x1,5	22	22	22	12	30.5	9x1,5
	X7360-15LM	15	M22x1,5	M18x1,5	27	24	24	12	31.5	12x2
	X7360-18LM	18	M26x1,5	M22x1,5	32	27	27	14	31.5	15x2
L160	X7360-22LM	22	M30x2	M26x1,5	36	32	32	16	32.5	20x2
	X7360-28LM	28	M36x2	M33x2	41	41	40	18	35	26x2
	X7360-35LM	35	M45x2	M42x2	50	50	50	20	42.5	32x2,5
	X7360-42LM	42	M52x2	M48x2	60	55	55	22	46.5	38x2,5
S630	X7360-06SM	6	M14x1,5	M12x1,5	17	17	17	12	27	4x1,5
	X7360-08SM	8	M16x1,5	M14x1,5	19	19	19	12	29.5	6x1,5
	X7360-10SM	10	M18x1,5	M16x1,5	22	22	22	12	32	7,5x1,5
	X7360-12SM	12	M20x1,5	M18x1,5	24	24	24	12	34	9x1,5
	X7360-14SM	14	M22x1,5	M20x1,5	27	27	26	14	36.5	10x2
S400	X7360-16SM	16	M24x1,5	M22x1,5	30	27	27	14	37	12x2
	X7360-20SM	20	M30x2	M27x2	36	32	32	16	43	16,3x2,4
	X7360-25SM	25	M36x2	M33x2	46	41	40	18	48	20,3x2,4
	X7360-30SM	30	M42x2	M42x2	50	50	50	20	51	25,3x2,4
S315	X7360-38SM	38	M52x2	M48x2	60	55	55	22	60	33,3x2,4

X7370

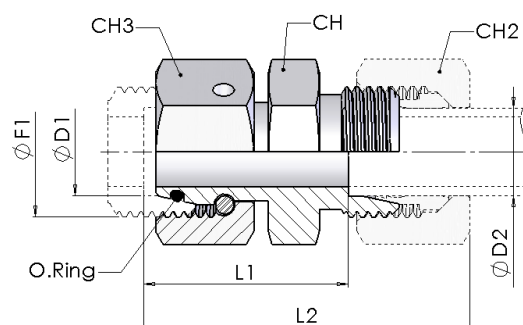
Raccordo di riduzione semplice con O. Ring - (serie L)



W.P.	Part number	Dimensions								O-Ring
		Thread								
bar		Ø F1	CH	CH2	CH3	ØD1	ØD2	L1	L2	
L315	X7370-08/06L-1	14x1,5	12	14	17	8	6	23.5	38	6x1,5
	X7370-10/06L-1	16x1,5	14	14	19	10	6	25	40	7,5x1,5
	X7370-10/08L-1	16x1,5	14	17	19	10	8	25	40	7,5x1,5
	X7370-12/06L-1	18x1,5	17	14	22	12	6	25	40	9x1,5
	X7370-12/08L-1	18x1,5	17	17	22	12	8	25	40	9x1,5
	X7370-12/10L-1	18x1,5	17	19	22	12	10	26	41	9x1,5
	X7370-15/06L-1	22x1,5	19	14	27	15	6	28.5	43	12x2
	X7370-15/08L-1	22x1,5	19	17	27	15	8	28.5	43	12x2
	X7370-15/10L-1	22x1,5	19	19	27	15	10	29.5	44	12x2
	X7370-15/12L-1	22x1,5	19	22	27	15	12	29.5	44	12x2
	X7370-18/06L-1	26x1,5	24	14	32	18	6	28	43	15x2
	X7370-18/08L-1	26x1,5	24	17	32	18	8	28	43	15x2
	X7370-18/10L-1	26x1,5	24	19	32	18	10	29	44	15x2
	X7370-18/12L-1	26x1,5	24	22	32	18	12	29	44	15x2
X7370-18/15L-1	26x1,5	24	27	32	18	15	30	45	15x2	
L160	X7370-22/06L-1	30x2	27	14	36	22	6	32	47	20x2
	X7370-22/08L-1	30x2	27	17	36	22	8	32	47	20x2
	X7370-22/10L-1	30x2	27	19	36	22	10	33	48	20x2
	X7370-22/12L-1	30x2	27	22	36	22	12	33	48	20x2
	X7370-22/15L-1	30x2	27	27	36	22	15	34	49	20x2
	X7370-22/18L-1	30x2	27	32	36	22	18	33.5	50	20x2
	X7370-28/06L-1	36x2	32	14	41	28	6	34	49	26x2
	X7370-28/08L-1	36x2	32	17	41	28	8	34	49	26x2
	X7370-28/10L-1	36x2	32	19	41	28	10	35	50	26x2
	X7370-28/12L-1	36x2	32	22	41	28	12	35	50	26x2
	X7370-28/15L-1	36x2	32	27	41	28	15	36	51	26x2
	X7370-28/18L-1	36x2	32	32	41	28	18	36.5	52	26x2
	X7370-28/22L-1	36x2	32	36	41	28	22	37.5	54	26x2
	X7370-35/06L-1	45x2	41	14	50	35	6	37	52	32x2,5
X7370-35/08L-1	45x2	41	17	50	35	8	37	52	32x2,5	

X7370

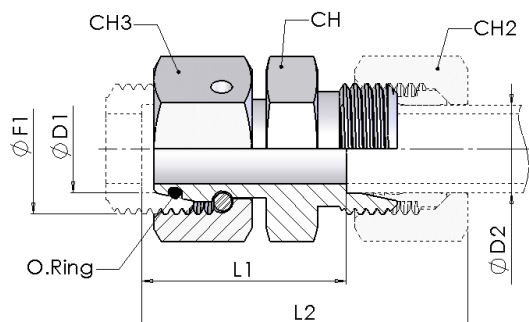
Raccordo di riduzione semplice con O. Ring - (serie L)



W.P.	Part number	Dimensions								O-Ring
		Thread								
bar		Ø F1	CH	CH2	CH3	Ø D1	Ø D2	L1	L2	
L160	X7370-35/10L-1	45x2	41	19	50	35	10	38	53	32x2,5
	X7370-35/12L-1	45x2	41	22	50	35	12	38	53	32x2,5
	X7370-35/15L-1	45x2	41	27	50	35	15	39	54	32x2,5
	X7370-35/18L-1	45x2	41	32	50	35	18	38.5	55	32x2,5
	X7370-35/22L-1	45x2	41	36	50	35	22	40.5	57	32x2,5
	X7370-35/28L-1	45x2	41	41	50	35	28	40.5	57	32x2,5
	X7370-42/06L-1	52x2	50	14	60	42	6	40.5	55	38x2,5
	X7370-42/08L-1	52x2	50	17	60	42	8	40.5	55	38x2,5
	X7370-42/10L-1	52x2	50	19	60	42	10	41.5	56	38x2,5
	X7370-42/12L-1	52x2	50	22	60	42	12	41.5	56	38x2,5
	X7370-42/15L-1	52x2	50	27	60	42	15	42.5	58	38x2,5
	X7370-42/18L-1	52x2	50	32	60	42	18	42	58	38x2,5
	X7370-42/22L-1	52x2	50	36	60	42	22	44	60	38x2,5
	X7370-42/28L-1	52x2	50	41	60	42	28	44	61	38x2,5
X7370-42/35L-1	52x2	50	50	60	42	35	43	65	38x2,5	

X7370

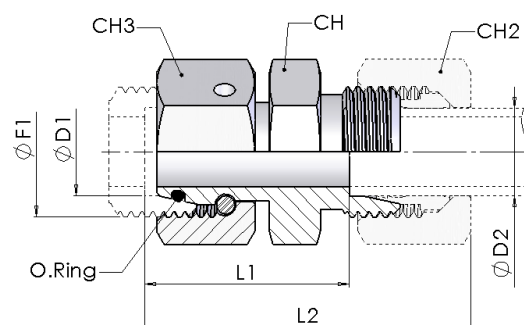
Raccordo di riduzione semplice con O. Ring - (serie S)



W.P.	Part number	Dimensions								O-Ring
		Thread								
bar		Ø F1	CH	CH2	CH3	ØD1	ØD2	L1	L2	
S630	X7370-08/06S -1	16x1,5	14	17	19	8	6	27	42	6x1,5
	X7370-10/06S -1	18x1,5	17	17	22	10	6	27.5	42	7,5x1,5
	X7370-10/08S -1	18x1,5	17	19	22	10	8	27.5	42	7,5x1,5
	X7370-12/06S -1	20x1,5	17	17	24	12	6	29	44	9x1,5
	X7370-12/08S -1	20x1,5	17	19	24	12	8	29	44	9x1,5
	X7370-12/10S -1	20x1,5	19	22	24	12	10	29.5	46	9x1,5
	X7370-14/06S -1	22x1,5	19	17	27	14	6	31.5	46	10x2
	X7370-14/08S -1	22x1,5	19	19	27	14	8	31.5	46	10x2
	X7370-14/10S -1	22x1,5	19	22	27	14	10	31	47	10x2
	X7370-14/12S -1	22x1,5	22	24	27	14	12	31	47	10x2
S400	X7370-16/06S -1	24x1,5	22	17	30	16	6	32	47	12x2
	X7370-16/08S -1	24x1,5	22	19	30	16	8	32	47	12x2
	X7370-16/10S -1	24x1,5	22	22	30	16	10	31.5	48	12x2
	X7370-16/12S -1	24x1,5	22	24	30	16	12	31.5	48	12x2
	X7370-16/14S -1	24x1,5	24	27	30	16	14	33	51	12x2
	X7370-20/06S -1	30x2	27	17	36	20	6	36	51	16,3x2,4
	X7370-20/08S -1	30x2	27	19	36	20	8	36	51	16,3x2,4
	X7370-20/10S -1	30x2	27	22	36	20	10	35.5	52	16,3x2,4
	X7370-20/12S -1	30x2	27	24	36	20	12	35.5	52	16,3x2,4
	X7370-20/14S -1	30x2	27	27	36	20	14	37	55	16,3x2,4
	X7370-20/16S -1	30x2	27	30	36	20	16	36.5	55	16,3x2,4
	X7370-25/06S -1	36x2	32	17	46	25	6	38.5	53	20,3x2,4
	X7370-25/08S -1	36x2	32	19	46	25	8	38.5	53	20,3x2,4
	X7370-25/10S -1	36x2	32	22	46	25	10	38	54	20,3x2,4
	X7370-25/12S -1	36x2	32	24	46	25	12	38	54	20,3x2,4
	X7370-25/14S -1	36x2	32	27	46	25	14	39.5	57	20,3x2,4
	X7370-25/16S -1	36x2	32	30	46	25	16	39	57	20,3x2,4
	X7370-25/20S -1	36x2	32	36	46	25	20	39	61	20,3x2,4
X7370-30/06S-1	42x2	41	17	50	30	6	44	59	25,3x2,4	
X7370-30/08S -1	42x2	41	19	50	30	8	44	59	25,3x2,4	

X7370

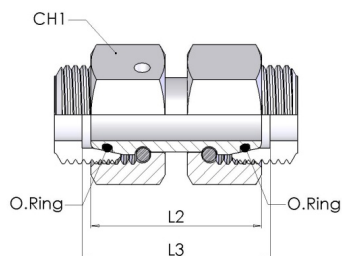
Raccordo di riduzione semplice con O. Ring - (serie S)



W.P.	Part number	Dimensions								O-Ring
		Thread								
bar		Ø F1	CH	CH2	CH3	ØD1	ØD2	L1	L2	
S400	X7370-30/10S -1	42x2	41	22	50	30	10	43.5	60	25,3x2,4
	X7370-30/12S -1	42x2	41	24	50	30	12	43.5	60	25,3x2,4
	X7370-30/14S -1	42x2	41	27	50	30	14	45	63	25,3x2,4
	X7370-30/16S -1	42x2	41	30	50	30	16	44.5	63	25,3x2,4
	X7370-30/20S -1	42x2	41	36	50	30	20	44.5	66	25,3x2,4
	X7370-30/25S -1	42x2	41	46	50	30	25	45	69	25,3x2,4
S315	X7370-38/06S-1	52x2	50	17	60	38	6	47.5	62	33,3x2,4
	X7370-38/08S-1	52x2	50	19	60	38	8	47.5	62	33,3x2,4
	X7370-38/10S-1	52x2	50	22	60	38	10	47	63	33,3x2,4
	X7370-38/12S -1	52x2	50	24	60	38	12	47	63	33,3x2,4
	X7370-38/14S-1	52x2	50	27	60	38	14	48.5	66	33,3x2,4
	X7370-38/16S -1	52x2	50	30	60	38	16	48	66	33,3x2,4
	X7370-38/20S -1	52x2	50	36	60	38	20	48	70	33,3x2,4
	X7370-38/25S -1	52x2	50	46	60	38	25	48.5	73	33,3x2,4
X7370-38/30S -1	52x2	50	50	60	38	30	49	76	33,3x2,4	

X7380

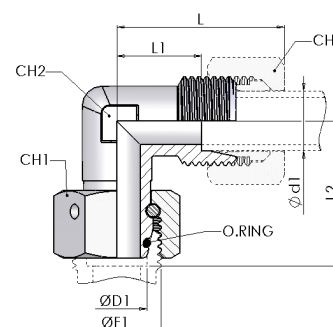
Raccordo intermedio diretto con O'Ring



W.P.	Part number	Ø Tube	Dimensions			O-Ring
			CH1	L2	L3	
bar		mm				
L315	X7380-06L	6	14	34	35	4x1,5
	X7380-08L	8	17	34	35	6x1,5
	X7380-10L	10	19	36	37	7,5x1,5
	X7380-12L	12	22	36	37	9x1,5
	X7380-15L	15	27	39	40	12x2
	X7380-18L	18	32	40.5	41.5	15x2
L160	X7380-22L	22	36	45	46	20x2
	X7380-28L	28	41	47	48	26x2
	X7380-35L	35	50	53	56	32x2,5
	X7380-42L	42	60	53	57	38x2,5
S630	X7380-06S	6	17	37	38	4x1,5
	X7380-08S	8	19	37	38	6x1,5
	X7380-10S	10	22	41	43	7,5x1,5
	X7380-12S	12	24	42	44	9x1,5
	X7380-14S	14	27	45	48	10x2
S400	X7380-16S	16	30	46	49	12x2
	X7380-20S	20	36	55	59	16,3x2,4
	X7380-25S	25	46	58	65	20,3x2,4
S315	X7380-30S	30	50	62	71	25,3x2,4
	X7380-38S	38	60	67	82	33,3x2,4

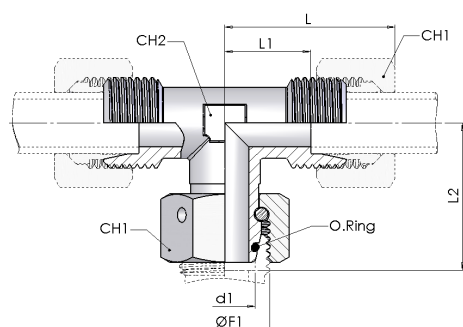
X7330

Raccordo Orientabile a gomito con O'Ring



W.P.	Part number	Ø Tube	Dimensions						O-Ring
			Thread						
bar		d1	Ø F1	CH1	CH2	L	L1	L2	
L315	X7330-06L-1	6	M12x1,5	14	12	27	12	26	4x1,5
	X7330-08L-1	8	M14x1,5	17	12	29	14	27.5	6x1,5
	X7330-10L-1	10	M16x1,5	19	14	30	15	29	7,5x1,5
	X7330-12L-1	12	M18x1,5	22	17	32	17	29.5	9x1,5
	X7330-15L-1	15	M22x1,5	27	19	36	21	32.5	12x2
	X7330-18L-1	18	M26x1,5	32	24	40	23.5	35.5	15x2
L160	X7330-22L-1	22	M30x2	36	27	44	27.5	38.5	20x2
	X7330-28L-1	28	M36x2	41	36	47	30.5	41.5	26x2
	X7330-35L-1	35	M45x2	50	41	56	34.5	51	32x2,5
	X7330-42L-1	42	M52x2	60	50	63	40	56	38x2,5
S630	X7330-06S-1	6	M14x1,5	17	12	31	16	27	4x1,5
	X7330-08S-1	8	M16x1,5	19	14	32	17	27.5	6x1,5
	X7330-10S-1	10	M18x1,5	22	17	34	17.5	30	7,5x1,5
	X7330-12S-1	12	M20x1,5	24	17	38	21.5	31	9x1,5
	X7330-14S-1	14	M22x1,5	27	19	40	22	35	10x2
S400	X7330-16S-1	16	M24x1,5	30	24	43	24.5	36.5	12x2
	X7330-20S-1	20	M30x2	36	27	48	26.5	44.5	16,3x2,4
	X7330-25S-1	25	M36x2	46	36	54	30	50	20,3x2,4
	X7330-30S-1	30	M42x2	50	41	62	35.5	55	25,3x2,4
S315	X7330-38S-1	38	M52x2	60	50	72	41	63	33,3x2,4

X7340

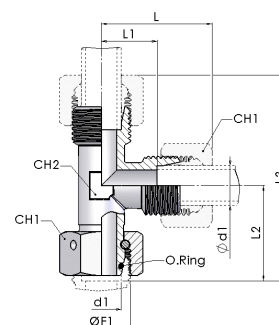


Raccordo Orientabile a TEE con O'Ring

W.P.	Part number	Ø Tube	Dimensions						O-Ring
			Thread						
bar		d1	Ø F1	CH1	CH2	L	L1	L2	
L315	X7340-06L-1	6	12x1,5	14	12	27	12	26	4x1,5
	X7340-08L-1	8	14x1,5	17	12	29	14	27.5	6x1,5
	X7340-10L-1	10	16x1,5	19	14	30	15	29	7,5x1,5
	X7340-12L-1	12	18x1,5	22	17	32	17	29.5	9x1,5
	X7340-15L-1	15	22x1,5	27	19	36	21	32.5	12x2
	X7340-18L-1	18	26x1,5	32	24	40	23.5	35.5	15x2
L160	X7340-22L-1	22	30x2	36	27	44	27.5	38.5	20x2
	X7340-28L-1	28	36x2	41	36	47	30.5	41.5	26x2
	X7340-35L-1	35	45x2	50	41	56	34.5	51	32x2,5
	X7340-42L-1	42	52x2	60	50	63	40	56	38x2,5
S630	X7340-06S-1	6	14x1,5	17	12	31	16	27	4x1,5
	X7340-08S-1	8	16x1,5	19	14	32	17	27.5	6x1,5
	X7340-10S-1	10	18x1,5	22	17	34	17.5	30	7,5x1,5
	X7340-12S-1	12	20x1,5	24	17	38	21.5	31	9x1,5
	X7340-14S-1	14	22x1,5	27	19	40	22	35	10x2
S400	X7340-16S-1	16	24x1,5	30	24	43	24.5	36.5	12x2
	X7340-20S-1	20	30x2	36	27	48	26.5	44.5	16,3x2,4
	X7340-25S-1	25	36x2	46	36	54	30	50	20,3x2,4
	X7340-30S-1	30	42x2	50	41	62	35.5	55	25,3x2,4
S315	X7340-38S-1	38	52x2	60	50	72	41	63	33,3x2,4

X7350

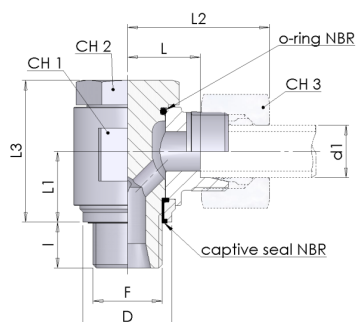
Raccordo Orientabile a L con O'Ring



W.P.	Part number	Ø Tube	Dimensions							O-Ring
			Thread							
bar		d1	Ø F1	CH1	CH2	L	L1	L2	L3	
L315	X7350-06L-1	6	M12x1,5	14	12	27	12	26	53	4x1,5
	X7350-08L-1	8	M14x1,5	17	12	29	14	27.5	56	6x1,5
	X7350-10L-1	10	M16x1,5	19	14	30	15	29	59	7,5x1,5
	X7350-12L-1	12	M18x1,5	22	17	32	17	29.5	61	9x1,5
	X7350-15L-1	15	M22x1,5	27	19	36	21	32.5	69	12x2
	X7350-18L-1	18	M26x1,5	32	24	40	23.5	35.5	75	15x2
L160	X7350-22L-1	22	M30x2	36	27	44	27.5	38.5	82	20x2
	X7350-28L-1	28	M36x2	41	36	47	30.5	41.5	89	26x2
	X7350-35L-1	35	M45x2	50	41	56	34.5	51	107	32x2,5
	X7350-42L-1	42	M52x2	60	50	63	40	56	119	38x2,5
S630	X7350-06S-1	6	M14x1,5	17	12	31	16	27	58	4x1,5
	X7350-08S-1	8	M16x1,5	19	14	32	17	27.5	59	6x1,5
	X7350-10S-1	10	M18x1,5	22	17	34	17.5	30	64	7,5x1,5
	X7350-12S-1	12	M20x1,5	24	17	38	21.5	31	69	9x1,5
	X7350-14S-1	14	M22x1,5	27	19	40	22	35	75	10x2
S400	X7350-16S-1	16	M24x1,5	30	24	43	24.5	36.5	79	12x2
	X7350-20S-1	20	M30x2	36	27	48	26.5	44.5	93	16,3x2,4
	X7350-25S-1	25	M36x2	46	36	54	30	50	104	20,3x2,4
	X7350-30S-1	30	M42x2	50	41	62	35.5	55	117	25,3x2,4
S315	X7350-38S-1	38	M52x2	60	50	72	41	63	135	33,3x2,4

X7200

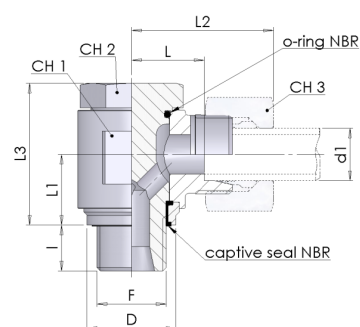
Raccordo a Gomito Orientabile con guarnizione



W.P.	Part number	Ø Tube	Dimensions								
			Thread								
bar		d1	ØF	CH1	CH2	CH3	Ø D	I	L	L1	L2
L315	X7200-06LR-1	06	G1/8A	17	14	14	14.9	08	13	10	27.5
	X7200-06LR04-1	06	G1/4A	22	19	14	18.9	10	15	13.5	29.5
	X7200-08LR-1	08	G1/4A	22	19	17	18.9	10	14	13.5	28.5
	X7200-10LR-1	10	G1/4A	22	19	19	18.9	10	16	13.5	30.5
	X7200-12LR04-1	12	G1/4A	22	19	22	18.9	10	16	15.5	31
	X7200-12LR-1	12	G3/8A	27	22	22	21.8	12	18	16	32.5
	X7200-15LR-1	15	G1/2A	32	27	27	26.9	14	21.5	19.5	36
	X7200-18LR-1	18	G1/2A	32	27	32	26.9	14	21	21.5	37
L160	X7200-22LR-1	22	G3/4A	41	32	36	32.9	16	27.5	24	43.5
	X7200-28LR-1	28	G1A	46	41	41	39.9	18	31.5	30.5	48
	X7200-35LR-1	35	G1 1/4A	55	50	50	49.8	20	35.5	35.5	57
	X7200-42LR-1	42	G1 1/2A	65	55	60	55.8	22	40	40.5	62.5
S400	X7200-06SR-1	06	G1/4A	22	19	17	18.9	10	16	13.5	30.5
	X7200-08SR-1	08	G1/4A	22	19	19	18.9	10	16	13.5	30.5
	X7200-10SR-1	10	G3/8A	27	22	22	21.8	12	18.5	16	34.5
	X7200-12SR-1	12	G3/8A	27	22	24	21.8	11	18.5	17	35
S315	X7200-16SR-1	16	G1/2A	30	27	32	26.9	14	22	21.5	40
S250	X7200-20SR-1	20	G3/4A	41	32	36	32.9	16	27	24	48.5
S160	X7200-25SR-1	25	G1A	46	41	46	39.9	18	31	30.5	55
	X7200-30SR-1	30	G1 1/4A	55	50	50	49.8	20	36.5	35.5	63
	X7200-38SR-1	38	G1 1/2A	65	55	60	55.8	22	41	40.5	71.5

X7200

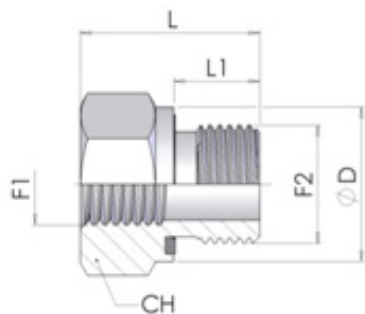
Raccordo a Gomito Orientabile con guarnizione



W.P.	Part number	Ø Tube	Dimensions								
			Thread								
bar		d1	ØF	CH1	CH2	CH3	Ø D	I	L	L1	L2
L315	X7200-06LM-1	06	M10x1	17	14	14	14.9	8	13	10	27.5
	X7200-08LM-1	08	M12x1,5	22	19	17	17.9	10	14	13.5	28.5
	X7200-10LM-1	10	M14x1,5	22	19	19	19.9	10	16	13.5	30.5
	X7200-12LM-1	12	M16x1,5	27	22	22	21.8	11	18	16	32.5
L250	X7200-12LM18-1	12	M18x1,5	24	22	22	23.8	10	20	18.5	35
L315	X7200-15LM-1	15	M18x1,5	30	24	27	23.9	10	20.5	18.5	35.5
	X7200-18LM-1	18	M22x1,5	32	27	32	27.9	12	21	21.5	37
L160	X7200-22LM-1	22	M26x1,5	41	32	36	31.9	16	27.5	24	43.5
	X7200-28LM-1	28	M33x2	46	41	41	39.9	18	31.5	30.5	48
	X7200-35LM-1	35	M42x2	55	50	50	49.8	20	35.5	35.5	57
	X7200-42LM-1	42	M48x2	65	55	60	55.8	22	40	40.5	62.5
S400	X7200-06SM-1	06	M12x1,5	22	19	17	17.9	10	16	13.5	30.5
	X7200-08SM-1	08	M14x1,5	22	19	19	19.9	10	16	13.5	30.5
	X7200-10SM-1	10	M16x1,5	27	22	22	21.8	11	18.5	16	34.5
	X7200-12SM-1	12	M18x1,5	30	24	24	23.9	10	19.5	18.5	35.5
S315	X7200-16SM-1	16	M22x1,5	32	27	30	27.9	12	22	21.5	40
S250	X7200-20SM-1	20	M27x2	41	32	36	32.9	16	27	24	48.5
S160	X7200-25SM-1	25	M33x2	46	42	46	39.9	18	31	30.5	55
	X7200-30SM-1	30	M42x2	55	50	50	49.8	20	36.5	35.5	63
	X7200-38SM-1	38	M48x2	65	55	60	55.8	22	41	40.5	71.5

X7240

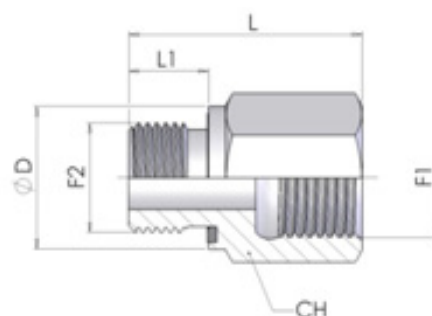
Riduzione Maschio-Femmina con guarnizione piana



W.P.	Part number	Dimensions					
		Type	F1	F2	CH	L	L1
630	X7240-0602	A	G 1/8	G 3/8	22	22.5	12
	X7240-0802	A	G 1/8	G 1/2	27	24	14
	X7240-0804	A	G 1/4	G 1/2	27	24	14
400	X7240-1204	A	G 1/4	G 3/4	32	26	16
	X7240-1206	A	G 3/8	G 3/4	32	26	16
	X7240-1604	A	G 1/4	G 1	41	29	18
	X7240-1606	A	G 3/8	G 1	41	29	18
	X7240-1608	A	G 1/2	G 1	41	29	18
250	X7240-2008	A	G 1/2	G 1 1/4	50	32	20
	X7240-2012	A	G 3/4	G 1 1/4	50	32	20
	X7240-2408	A	G 1/2	G 1 1/2	55	36	22
	X7240-2412	A	G 3/4	G 1 1/2	55	36	22
	X7240-2416	A	G 1	G 1 1/2	55	36	22

X7240

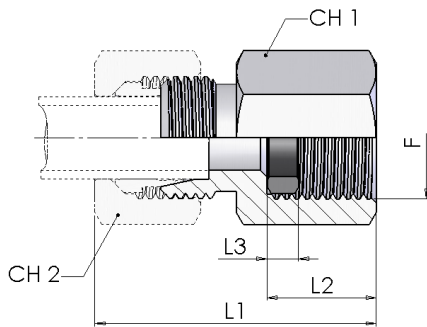
Riduzione Maschio-Femmina con guarnizione piana



W.P.	Part number	Dimensions					
		Type	Thread		CH	L	L1
bar			F1	F2	CH	L	L1
630	X7240-0204	B	G 1/4	G 1/8	19	31	8
	X7240-0206	B	G 3/8	G 1/8	24	32	8
	X7240-0402	B	G 1/8	G 1/4	19	28	12
	X7240-0406	B	G 3/8	G 1/4	24	36	12
	X7240-0408	B	G 1/2	G 1/4	30	40	12
400	X7240-0412	B	G 3/4	G 1/4	36	43	12
630	X7240-0604	B	G 1/4	G 3/8	22	36	12
	X7240-0608	B	G 1/2	G 3/8	30	41	12
400	X7240-0612	B	G 3/4	G 3/8	36	44	12
	X7240-0806	B	G 3/8	G 1/2	27	36	14
	X7240-0812	B	G 3/4	G 1/2	36	46	14
	X7240-0816	B	G 1	G 1/2	41	49	14
250	X7240-0820	B	G 1 1/4	G 1/2	55	53	14
400	X7240-1208	B	G 1/2	G 3/4	32	41	16
	X7240-1216	B	G 1	G 3/4	41	51	16
250	X7240-1220	B	G 1 1/4	G 3/4	55	55	16
	X7240-1224	B	G 1 1/2	G 3/4	60	57	16
400	X7240-1612	B	G 3/4	G 1	41	47	18
250	X7240-1620	B	G 1 1/4	G 1	55	57	18
	X7240-1624	B	G 1 1/2	G 1	60	59	18
	X7240-2016	B	G 1	G 1 1/4	50	52	20
	X7240-2024	B	G 1 1/2	G 1 1/4	60	60	20
	X7240-2420	B	G 1 1/4	G 1 1/2	55	58	22

X7030

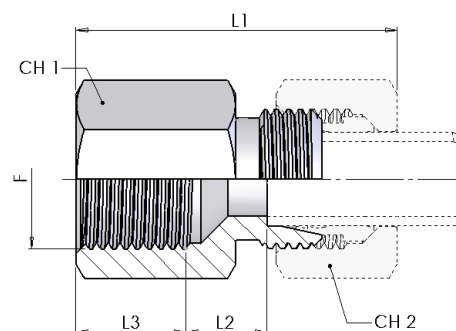
Portamanometro



W.P.	Part number	Ø Tube	Dimensions					
			Thread	CH1	CH2	L1	L2	L3
bar		mm	ØF					
LL100	X7030-04LL-1	4	G 1/4	19	10	33	14.5	4.5
L315	X7030-06L-1	6	G 1/4	19	14	37	14.5	4.5
	X7030-08L-1	8	G 1/4	19	17	37	14.5	4.5
	X7030-10L-1	10	G 1/4	19	19	38	14.5	4.5
	X7030-12L-1	12	G 1/4	19	22	38	14.5	4.5
S630	X7030-06S-1	6	G 1/2	27	17	46	20	5
	X7030-08S-1	8	G 1/2	27	19	46	20	5
	X7030-10S-1	10	G 1/2	27	22	47	20	5
	X7030-12S-1	12	G 1/2	27	24	47	20	5

X7250

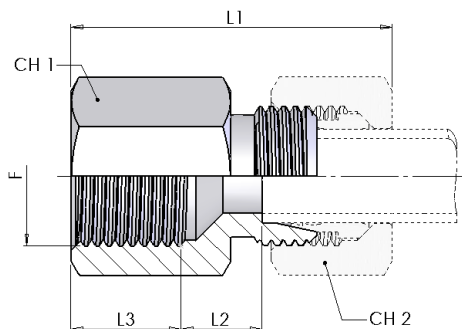
Terminale diritto femmina



W.P.	Part number	Ø Tube	Dimensions					
			Thread	CH1	CH2	L1	L2	L3
bar		mm	ØF	CH1	CH2	L1	L2	L3
L315	X7250-06LR-1	6	G 1/8	14	14	33.5	7	12
	X7250-08LR-1	8	G 1/4	19	17	39	7	17
	X7250-08LR06-1	8	G 3/8	24	17	40	10.5	14.5
	X7250-08LR08-1	8	G 1/2	27	17	44	14.5	14.5
	X7250-10LR-1	10	G 1/4	19	19	40	8	17
	X7250-10LR06-1	10	G 3/8	24	19	41	11.5	14.5
	X7250-10LR08-1	10	G 1/2	27	19	45	15.5	14.5
	X7250-12LR-1	12	G 3/8	24	22	40.5	9	17
	X7250-12LR08-1	12	G 1/2	27	22	45	15.5	14.5
	X7250-15LR-1	15	G 1/2	27	27	46	11	20
L160	X7250-18LR-1	18	G 1/2	27	32	47	10.5	20
	X7250-22LR-1	22	G 3/4	36	36	52	13.5	22
	X7250-28LR-1	28	G 1	41	41	54	13	24.5
	X7250-35LR-1	35	G 1 1/4	55	50	63	15	26.5
S630	X7250-42LR-1	42	G 1 1/2	60	60	66	14.5	28.5
	X7250-06SR-1	6	G 1/4	19	17	41	9	17
	X7250-08SR-1	8	G 1/4	19	19	41	9	17
	X7250-10SR-1	10	G 3/8	24	22	42.5	9.5	17
	X7250-12SR-1	12	G 3/8	24	24	42.5	9.5	17
S400	X7250-14SR-1	14	G 1/2	30	27	50	12	20
	X7250-16SR-1	16	G 1/2	30	30	50	11.5	20
	X7250-20SR-1	20	G 3/4	36	36	56	12.5	22
	X7250-25SR-1	25	G 1	41	46	61	12.5	24.5
S315	X7250-30SR-1	30	G 1 1/4	55	50	69	16	26.5
	X7250-38SR-1	38	G 1 1/2	60	60	75	15.5	28.5

X7250

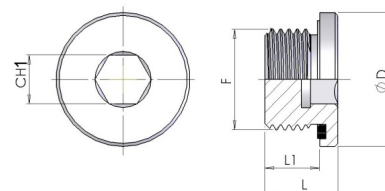
Terminale diritto femmina



W.P.	Part number	Ø Tube	Dimensions					
			Thread					
bar		mm	ØF	CH1	CH2	L1	L2	L3
L315	X7250-06LM-1	6	M 10x1	14	14	33.5	7	12
	X7250-08LM-1	8	M 12x1,5	17	17	39	7	17
	X7250-10LM-1	10	M 14x1,5	19	19	40	8	17
	X7250-12LM-1	12	M 16x1,5	22	22	40.5	9	17
	X7250-15LM-1	15	M 18x1,5	24	27	46	14	17
	X7250-18LM-1	18	M 22x1,5	30	30	47	11.5	19
L160	X7250-22LM-1	22	M 26x1,5	32	36	51	13.5	21
S630	X7250-06SM-1	6	M 12x1,5	17	17	41	9	17
	X7250-08SM-1	8	M 14x1,5	19	19	41	9	17
	X7250-10SM-1	10	M 16x1,5	22	22	42.5	9.5	17
	X7250-12SM-1	12	M 18x1,5	24	24	42.5	9.5	17
	X7250-14SM-1	14	M 20x1,5	27	27	50	13	19
S400	X7250-16SM-1	16	M 22x1,5	30	30	50	12.5	19
	X7250-20SM-1	20	M 27x2	36	36	56	12.5	22

X7260_BS

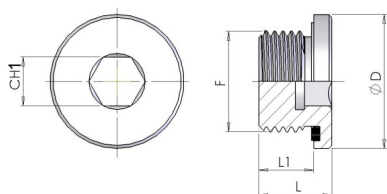
Tappo esagono incassato con guarnizione piana



W.P.	Part number	Dimensions				
		Thread				
bar		ØF	CH1	Ø D	L	L1
400	X7260_BS-02	G 1/8	5	14	12	8
	X7260_BS-04	G 1/4	6	19	17	12
	X7260_BS-06	G 3/8	8	22	17	12
	X7260_BS-08	G 1/2	10	27	19	14
	X7260_BS-12	G 3/4	12	32	21	16
	X7260_BS-16	G 1	17	40	22.5	16
250	X7260_BS-20	G 1 1/4	22	50	22.5	16
	X7260_BS-24	G 1 1/2	24	55	22.5	16

X7260

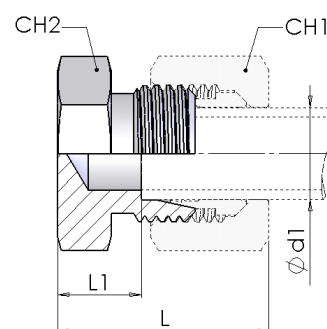
Tappo esagono incassato con guarnizione piana



W.P.	Part number	Dimensions				
		Thread				
bar		ØF	CH1	Ø D	L	L1
400	X7260-10X10	M10x1	5	14	12	8
	X7260-12X15	M12x1,5	6	17	17	12
	X7260-14X15	M14x1,5	6	19	17	12
	X7260-16X15	M16x1,5	8	22	17	12
	X7260-18X15	M18x1,5	8	24	17	12
	X7260-20X15	M20x1,5	10	26	19	14
	X7260-22X15	M22x1,5	10	27	19	14
	X7260-26X15	M26x1,5	12	32	21	16
	X7260-27X20	M27x2	12	32	21	16
	X7260-33X20	M33x2	17	40	22.5	16
250	X7260-42X20	M42x2	22	50	22.5	16
	X7260-48X20	M48x2	24	55	22.5	16

X7270

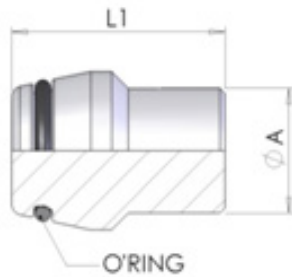
Tappo di chiusura tubi



W.P.	Part number	Ø Tube	Dimensions			
			CH1	CH2	L	L1
bar		d1				
L315	X7270-06L-1	6	14	12	22	17.5
	X7270-08L-1	8	17	14	23	18.5
	X7270-10L-1	10	19	17	24	19.5
	X7270-12L-1	12	22	19	25	10.5
	X7270-15L-1	15	27	24	26	11.5
	X7270-18L-1	18	32	27	28	11.5
L160	X7270-22L-1	22	36	32	30	13.5
	X7270-28L-1	28	41	41	31	14.5
	X7270-35L-1	35	50	46	36	14.5
	X7270-42L-1	42	60	55	39	16.5
S630	X7270-06S-1	6	17	14	26	11.5
	X7270-08S-1	8	19	17	28	13.5
	X7270-10S-1	10	22	19	29	12.5
	X7270-12S-1	12	24	22	31	14.5
	X7270-14S-1	14	27	24	34	16.5
S400	X7270-16S-1	16	30	27	34	15.5
	X7270-20S-1	20	36	32	39	17.5
	X7270-25S-1	25	46	41	44	20.5
S315	X7270-30S-1	30	50	46	47	20.5
	X7270-38S-1	38	60	55	54	23.5

X7290

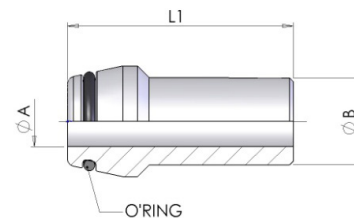
Tappo con O-Ring



W.P.	Part number	Ø Tube	Dimensions	
			A	L
bar		mm		
L315	X7290-06LS	6	6	18.5
	X7290-08LS	8	8	18.5
	X7290-10LS	10	10	20
	X7290-12LS	12	12	20.5
	X7290-15L	15	15	20.5
	X7290-18L	18	18	22.5
L160	X7290-22L	22	22	25
	X7290-28L	28	28	25.5
	X7290-35L	35	35	30
	X7290-42L	42	42	30
S630	X7290-14S	14	14	22.5
S400	X7290-16S	16	16	23.5
	X7290-20S	20	20	28.5
	X7290-25S	25	25	29
	X7290-30S	30	30	30.5
S315	X7290-38S	38	38	33

X7280

Ogiva a saldare con O-Ring



W.P.	Part number	Ø Tube	Dimensions			
			pipe			
bar		mm	T	Ø A	ØB	L1
29630	X7280-10X20	10	10 x 2	6	10	31
	X7280-12X25	12	12 x 2,5	7	12	31
	X7280-14X30	14	14 x 3	8	14	40
29400	X7280-16X30	16	16 x 3	10	16	42
	X7280-20X40	20	20 x 4	12	20	48
	X7280-25X40	25	25 x 4	17	25	51
29315	X7280-30X50	30	30 x 5	20	30	59
	X7280-38X06	38	38 x 6	26	38	66

JIC
adaptors

in!



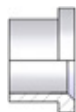
X5000



Nut

154

X5010



Sleeve for inches tube

154

X5020

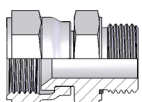


Sleeve for inches tube

155



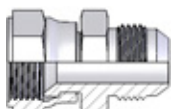
X5036



Connector swivel JIC female X BSP male with "ED" seal

156

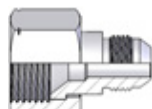
X5055



Swivel Union M/F JIC

157

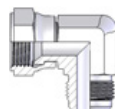
X5056



Swivel Reduction M/F JIC

157

X5060



90° JIC male X JIC female connector swivel

158

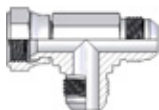
X5070



45° male / female swivel elbow JIC

158

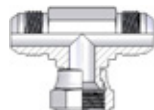
X5080



Female run tee

159

X5090

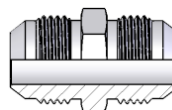


Female branch tee

159



X1900

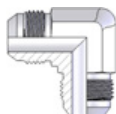


Male connector

160



X5100



90° Elbow Union

160

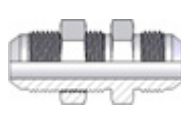
X5120



Union Tee

161

X5110

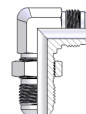


Straight Bulkhead Union

161



X5130

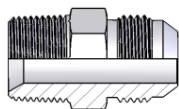


Bulkhead 90° Elbow Union

162



X1906



Male connector NPTF male X JIC male

163

X5140

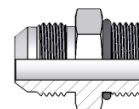


90° connector JIC male X NPTF male

164



X1907



Male connector JIC male X UNF straight thread

165

X5190

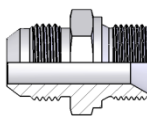


90° elbow "adjustable" connector JIC male X UNF straight thread male

166



X1905

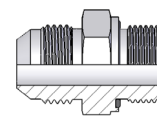


Connector BSP parallel thread male X JIC male

167



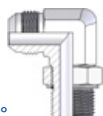
X5805



Male Connector Jic/BSP O'Ring with "ED" seal

168

X5230

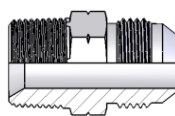


90° elbow "adjustable" connector JIC male X BSP straight thread male

169



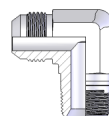
X1903



Male Connector Jic/BSPT

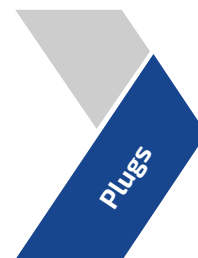
170

X5165

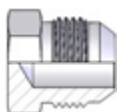


Male 90° Elbow Jic/BSPT

171



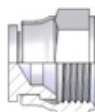
XJ605



Male plug

172

XJ608

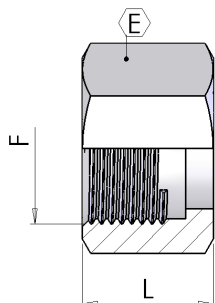


Female Plug Swivel

172

X5000

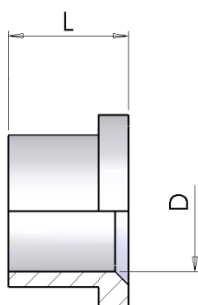
Dado



Part number	Ø Tube		Dimensions		
			Hex		
	in	mm	E	F	L
X5000-04	1/4"	6	14	7/16" - 20	15.5
X5000-05	5/16"	8	17	1/2" - 20	17
X5000-06	3/8"	10	19	9/16" - 18	18.3
X5000-08	1/2"	12	22	3/4" - 16	21.3
X5000-10	5/8"	16	27	7/8" - 14	24.6
X5000-12	3/4"	20	32	1.1/16" - 12	25.9
X5000-16	1"	25	41	1.5/16" - 12	28.4
X5000-20	1-1/4"	32	50	1.5/8" - 12	31
X5000-24	1-1/2"	38	60	1.7/8" - 12	36

X5010

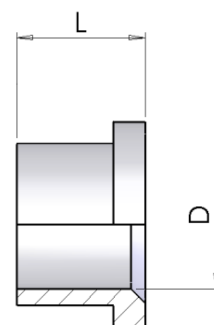
Bussola per tubo metrico



Part number	Ø Tube	Dimensions	
		D	L
	mm		
X5010-06	6	6	10.4
X5010-08	8	8	11.2
X5010-10	10	10	12.7
X5010-12	12	12	14.2
X5010-15	15	14	14
X5010-16	16	16	16.8
X5010-18	18	18	23.1
X5010-20	20	20	17.3
X5010-25	25	25	19.8
X5010-30	30	30	23.1
X5010-32	32	32	23
X5010-38	38	38	28.4

X5020

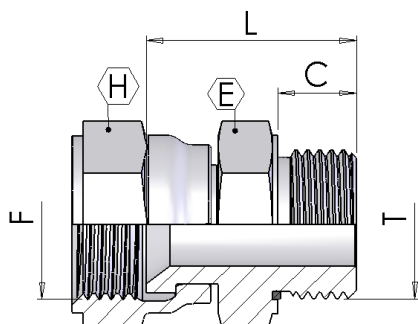
Bussola per tubo in pollici



Part number	Ø Tube	Dimensions	
		D	L
X5020-04	1/4"	1/4"	10.4
X5020-05	5/16"	5/16"	11.2
X5020-06	3/8"	3/8"	12.7
X5020-08	1/2"	1/2"	14.2
X5020-10	5/8"	5/8"	16.8
X5020-12	3/4"	3/4"	17.3
X5020-16	1"	1"	19.8
X5020-20	1.1/4"	1.1/4"	23.1
X5020-24	1.1/2"	1.1/2"	28.4

X5036

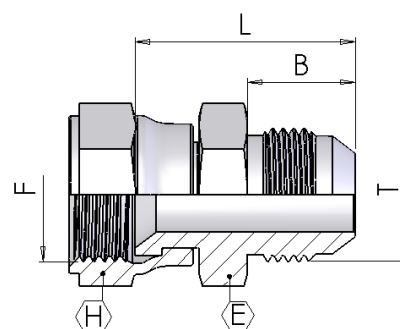
Nipplo femmina girevole JIC / Maschio BSP con guarnizione ED



Part number	Ø Tube		Dimensions					
			Thread		Hex			
	in	mm	T	C	E	F	L	H
X5036-04-02	1/4"	6	1/8"-28	8	14	7/16" - 20	25	17
X5036-04-04	1/4"	6	1/4"-19	12	19	7/16" - 20	29	17
X5036-04-06	1/4"	6	3/8"-19	12	22	7/16" - 20	30.5	17
X5036-05-04	5/16"	8	1/4"-19	12	19	1/2" - 20	29.5	17
X5036-05-06	5/16"	8	3/8"-19	12	22	1/2" - 20	30.5	17
X5036-06-04	3/8"	10	1/4"-19	12	19	9/16" - 18	30	19
X5036-06-06	3/8"	10	3/8"-19	12	22	9/16" - 18	30	19
X5036-06-08	3/8"	10	1/2"-14	14	27	9/16" - 18	34	19
X5036-08-04	1/2"	12	1/4"-19	12	19	3/4" - 16	31	24
X5036-08-06	1/2"	12	3/8"-19	12	22	3/4" - 16	33.5	24
X5036-08-08	1/2"	12	1/2"-14	14	27	3/4" - 16	36	24
X5036-10-06	5/8"	16	3/8"-19	12	22	7/8" - 14	34	27
X5036-10-08	5/8"	16	1/2"-14	14	27	7/8" - 14	34	27
X5036-10-12	5/8"	16	3/4"-14	16	32	7/8" - 14	41	27
X5036-12-08	3/4"	20	1/2"-14	14	27	1.1/16" - 12	38	32
X5036-12-12	3/4"	20	3/4"-14	16	32	1.1/16" - 12	40	32
X5036-12-16	3/4"	20	1"-11	18	41	1.1/16" - 12	42.5	32
X5036-16-12	1"	25	3/4"-14	16	32	1.5/16" - 12	46.5	41
X5036-16-16	1"	25	1"-11	18	41	1.5/16" - 12	45	41
X5036-16-20	1"	25	1.1/4"-11	20	50	1.5/16" - 12	48	41
X5036-20-16	1-1/4"	32	1"-11	18	41	1.5/8" - 12	50	50
X5036-20-20	1-1/4"	32	1.1/4"-11	20	50	1.5/8" - 12	53	50
X5036-24-24	1-1/2"	38	1.1/2"-11	22	55	1.7/8" - 12	59	55

X5055

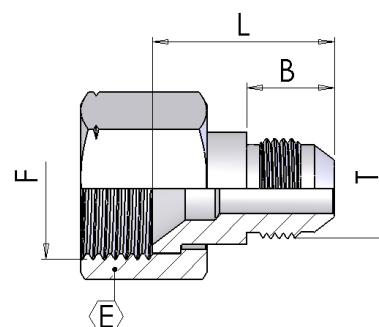
Nipplo M/F Jic



Part number	Ø Tube		Dimensions					
			Thread		Hex		F	L
	in	mm	T	B	E			
X5055-04	1/4"	6	7/16" - 20	14	12	7/16" - 20	29	17
X5055-06	3/8"	10	9/16" - 18	14	17	9/16" - 18	30.7	19
X5055-08	1/2"	12	3/4" - 16	17	22	3/4" - 16	35.5	24
X5055-10	5/8"	16	7/8" - 14	19.5	24	7/8" - 14	40.5	27
X5055-12	3/4"	20	1.1/16" - 12	22	32	1.1/16" - 12	45.6	32
X5055-20	1-1/4"	32	1.5/8" - 12	24.3	46	1.5/8" - 12	56	50

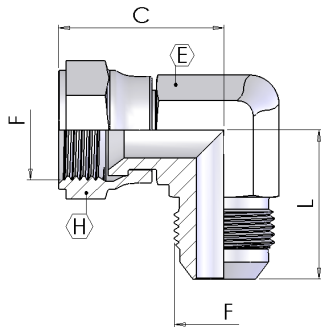
X5056

Riduzione M/F JIC



Part number	Ø Tube		Dimensions				
			Thread	B	Hex	F	L
	in	mm	T		E		
X5056-06-04	3/8"	10	7/16" - 20	14	19	9/16" - 18	26
X5056-08-04	1/2"	12	7/16" - 20	14	22	3/4" - 16	26
X5056-08-06	1/2"	12	9/16" - 18	14	22	3/4" - 16	26
X5056-10-04	5/8"	16	7/16" - 20	14	27	7/8" - 14	28
X5056-10-06	5/8"	16	9/16" - 18	14	27	7/8" - 14	28
X5056-12-04	3/4"	20	7/16" - 20	14	32	1.1/16" - 12	28.5
X5056-12-06	3/4"	20	9/16" - 18	14	32	1.1/16" - 12	30.4
X5056-12-08	3/4"	20	3/4" - 16	17	32	1.1/16" - 12	33
X5056-16-10	1"	25	7/8" - 14	19.5	41	1.5/16" - 12	37
X5056-16-12	1"	25	1.1/16" - 12	22	41	1.5/16" - 12	40
X5056-20-16	1.1/4"	32	1.5/16" - 12	23	50	1.5/8" - 12	41
X5056-24-16	1.1/2"	38	1.5/16" - 12	23	60	1.7/8" - 12	45
X5056-24-20	1.1/2"	38	1.5/8" - 12	24.3	60	1.7/8" - 12	62

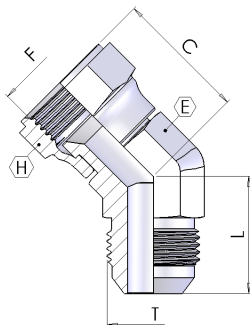
X5060



Gomito 90° maschio/femm. girevole JIC

Part number	Ø Tube		Dimensions					
			Thread		Hex		L	H
	in	mm	T	C	E	F		
X5060-04	1/4"	6	7/16" - 20	16.7	12	7/16" - 20	22.5	14
X5060-05	5/16"	8	1/2" - 20	17.5	13	1/2" - 20	24	17
X5060-06	3/8"	10	9/16" - 18	22.5	14	9/16" - 18	27	19
X5060-08	1/2"	12	3/4" - 16	24.5	19	3/4" - 16	32	24
X5060-10	5/8"	16	7/8" - 14	29.5	24	7/8" - 14	37.5	27
X5060-12	3/4"	20	1.1/16" - 12	31	24	1.1/16" - 12	42	32
X5060-16	1"	25	1.5/16" - 12	35.7	33	1.5/16" - 12	46	41
X5060-20	1.1/4"	32	1.5/8" - 12	42.8	41	1.5/8" - 12	52.5	50
X5060-24	1.1/2"	38	1.7/8" - 12	47.2	48	1.7/8" - 12	64	60
X5060-32	2"	50	2.1/2" - 12	62	65	2.1/2" - 12	76.5	75

X5070

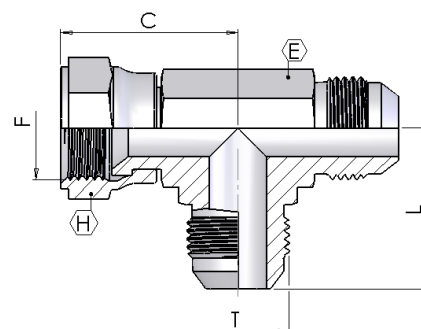


Gomito 45° maschio/femm. girevole JIC

Part number	Ø Tube		Dimensions					
			Thread		Hex		L	H
	in	mm	T	C	E	F		
X5070-04	1/4"	6	7/16" - 20	15	12	7/16" - 20	18	14
X5070-05	5/16"	8	1/2" - 20	16	14	1/2" - 20	20	17
X5070-06	3/8"	10	9/16" - 18	19	14	9/16" - 18	21	19
X5070-08	1/2"	12	3/4" - 16	22	19	3/4" - 16	25	24
X5070-10	5/8"	16	7/8" - 14	24	24	7/8" - 14	28	27
X5070-12	3/4"	20	1.1/16" - 12	24	24	1.1/16" - 12	33	32
X5070-16	1"	25	1.5/16" - 12	29	33	1.5/16" - 12	37	41

X5080

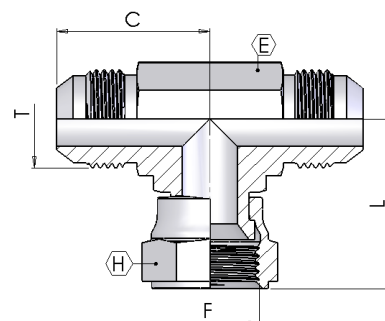
T con femmina girevole laterale



Part number	Ø Tube		Dimensions					
			Thread		Hex			
	in	mm	T	C	E	F	L	H
X5080-04	1/4"	6	7/16" - 20	16.7	12	7/16" - 20	22.5	14
X5080-05	5/16"	8	1/2" - 20	17.5	13	1/2" - 20	24	17
X5080-06	3/8"	10	9/16" - 18	22.3	14	9/16" - 18	27	19
X5080-08	1/2"	12	3/4" - 16	24.5	19	3/4" - 16	31	24
X5080-10	5/8"	16	7/8" - 14	29.5	24	7/8" - 14	37.5	27
X5080-12	3/4"	20	1.1/16" - 12	31	24	1.1/16" - 12	42	32
X5080-16	1"	25	1.5/16" - 12	35.7	33	1.5/16" - 12	46	41
X5080-20	1.1/4"	32	1.5/8" - 12	42.8	41	1.5/8" - 12	52.5	50

X5090

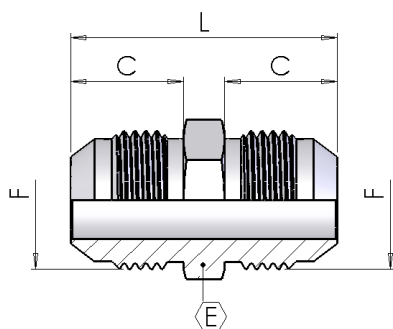
T con femmina girevole centrale



Part number	Ø Tube		Dimensions					
			Thread		Hex			
	in	mm	T	C	E	F	L	H
X5090-04	1/4"	6	7/16" - 20	22.5	12	7/16" - 20	16.7	14
X5090-05	5/16"	8	1/2" - 20	24	13	1/2" - 20	17.5	17
X5090-06	3/8"	10	9/16" - 18	27	14	9/16" - 18	22.3	19
X5090-08	1/2"	12	3/4" - 16	31	19	3/4" - 16	24.5	24
X5090-10	5/8"	16	7/8" - 14	37.5	24	7/8" - 14	29.5	27
X5090-12	3/4"	20	1.1/16" - 12	42	24	1.1/16" - 12	31	32
X5090-16	1"	25	1.5/16" - 12	46	33	1.5/16" - 12	35.7	41
X5090-20	1.1/4"	32	1.5/8" - 12	52.5	41	1.5/8" - 12	42.8	50

X1900

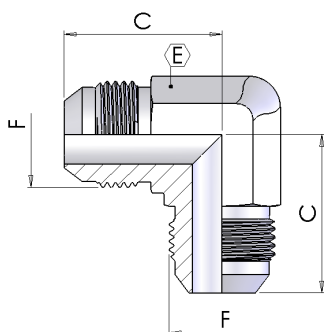
Nipplo maschio



Part number	Ø Tube		Dimensions			
			Hex		F	L
in	mm	C	E			
X1900-04-04	1/4"	6	14	12	7/16" - 20	35
X1900-05-05	5/16"	8	14	14	1/2" - 20	35
X1900-06-06	3/8"	10	14.1	17	9/16" - 18	36
X1900-08-08	1/2"	12	16.7	22	3/4" - 16	41
X1900-10-10	5/8"	16	19.3	24	7/8" - 14	48
X1900-12-12	3/4"	20	21.9	27	1.1/16" - 12	55
X1900-16-16	1"	25	23.1	36	1.5/16" - 12	57
X1900-20-20	1.1/4"	32	24.3	46	1.5/8" - 12	61.5
X1900-24-24	1.1/2"	38	27.5	50	1.7/8" - 12	70
X1900-32-32	2"	50	33.9	65	2.1/2" - 12	80

X5100

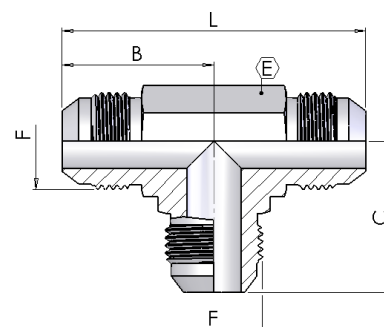
Gomito a 90° M/M



Part number	Ø Tube		Dimensions		
			Hex		F
in	mm	C	E		
X5100-04	1/4"	6	22.5	12	7/16" - 20
X5100-05	5/16"	8	24	13	1/2" - 20
X5100-06	3/8"	10	27	14	9/16" - 18
X5100-08	1/2"	12	31	19	3/4" - 16
X5100-10	5/8"	16	37.5	24	7/8" - 14
X5100-12	3/4"	20	42	24	1.1/16" - 12
X5100-16	1"	25	46	33	1.5/16" - 12
X5100-20	1.1/4"	32	52.5	41	1.5/8" - 12
X5100-24	1.1/2"	38	59	48	1.7/8" - 12

X5120

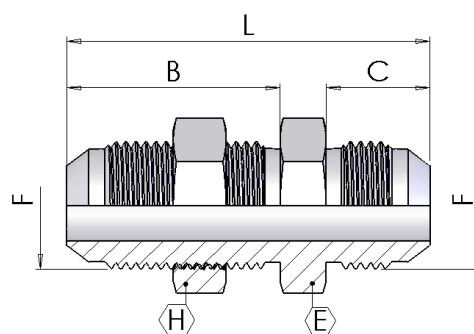
Unione a T



Part number	Ø Tube		Dimensions				
			B	C	Hex E	F	L
X5120-04	1/4"	6	22.5	22.5	12	7/16" - 20	45
X5120-05	5/16"	8	24	24	13	1/2" - 20	48
X5120-06	3/8"	10	27	27	14	9/16" - 18	54
X5120-08	1/2"	12	31	31	19	3/4" - 16	62
X5120-10	5/8"	16	37.5	37.5	24	7/8" - 14	75
X5120-12	3/4"	20	42	42	24	1.1/16" - 12	84
X5120-16	1"	25	46	46	33	1.5/16" - 12	92
X5120-20	1.1/4"	32	52.5	52.5	41	1.5/8" - 12	105
X5120-24	1.1/2"	38	59	59	48	1.7/8" - 12	118

X5110

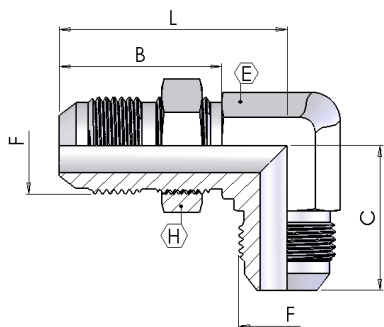
Passaparete Diritto



Part number	Ø Tube		Dimensions					
			B	C	Hex E	F	L	H
X5110-04	1/4"	6	31.5	14	17	7/16" - 20	52.5	17
X5110-05	5/16"	8	31.5	14	19	1/2" - 20	52.5	19
X5110-06	3/8"	10	33	14	22	9/16" - 18	55.5	22
X5110-08	1/2"	12	37	16.5	24	3/4" - 16	62	24
X5110-10	5/8"	16	40.5	19	30	7/8" - 14	69.5	30
X5110-12	3/4"	20	45	21.5	36	1.1/16" - 12	78.5	36
X5110-16	1"	25	44.4	23.1	41	1.5/16" - 12	80	41
X5110-20	1.1/4"	32	45.7	24.3	50	1.5/8" - 12	84	50
X5110-24	1.1/2"	38	46	27.5	55	1.7/8" - 12	89.5	55

X5130

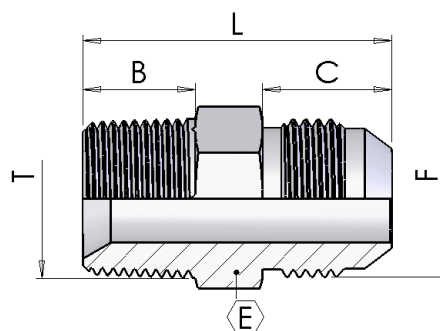
Passaparete a 90°



Part number	Ø Tube		Dimensions					
			B	C	Hex	F	L	H
X5130-04	1/4"	6	26	25	11	7/16" - 20	40	17
X5130-05	5/16"	8	26	27	13	1/2" - 20	44	19
X5130-06	3/8"	10	28	28	14	9/16" - 18	46	22
X5130-08	1/2"	12	32	36	19	3/4" - 16	54	24
X5130-10	5/8"	16	35	40	22	7/8" - 14	61	30
X5130-12	3/4"	20	40	45	27	1.1/16" - 12	68	36
X5130-16	1"	25	40	49	41	1.5/16" - 12	71	41
X5130-20	1.1/4"	32	41	55	41	1.5/8" - 12	80	50

X1906

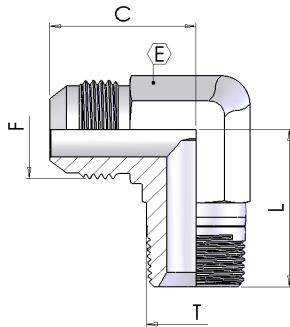
Nipplo maschio Jic/NPTF



Part number	Ø Tube		Dimensions					
			Thread			Hex		
	in	mm	T	B	C	E	F	L
X1906-02-04	1/4"	6	1/8"	10	14	12	7/16" - 20	31
X1906-02-05	5/16"	8	1/8"	10	14	14	1/2" - 20	30
X1906-02-06	3/8"	10	1/8"	10	14	17	9/16" - 18	30
X1906-04-04	1/4"	6	1/4"	15	14	17	7/16" - 20	36
X1906-04-05	5/16"	8	1/4"	15	14	17	1/2" - 20	36
X1906-04-06	3/8"	10	1/4"	15	14	17	9/16" - 18	34
X1906-06-06	3/8"	10	3/8"	15.3	14	19	9/16" - 18	34
X1906-06-08	1/2"	12	3/8"	14	17	19	3/4" - 16	39
X1906-06-10	5/8"	16	3/8"	15.3	19.5	24	7/8" - 14	42
X1906-08-04	1/4"	6	1/2"	20	14	22	7/16" - 20	42
X1906-08-06	3/8"	10	1/2"	20	14	22	9/16" - 18	43
X1906-08-08	1/2"	12	1/2"	20	17	22	3/4" - 16	45.7
X1906-08-10	5/8"	16	1/2"	20	19.5	24	7/8" - 14	48
X1906-08-12	3/4"	20	1/2"	20	22	27	1.1/16" - 12	52.2
X1906-12-08	1/2"	12	3/4"	20	17	27	3/4" - 16	47.2
X1906-12-10	5/8"	16	3/4"	20	19.5	27	7/8" - 14	48.2
X1906-12-12	3/4"	20	3/4"	20	22	27	1.1/16" - 12	52.3
X1906-12-16	1"	25	3/4"	20	23	36	1.5/16" - 12	53
X1906-16-12	3/4"	20	1"	25	22	36	1.1/16" - 12	57.5
X1906-16-16	1"	25	1"	25	23	36	1.5/16" - 12	58
X1906-16-20	1.1/4"	32	1"	25	24.3	46	1.5/8" - 12	62
X1906-20-20	1.1/4"	32	1.1/4"	25.5	24.3	46	1.5/8" - 12	62
X1906-24-24	1.1/2"	38	1.1/2"	26	27.5	50	1.7/8" - 12	68
X1906-32-32	2"	50	2"	26	33.9	65	2.1/2" - 12	72

X5140

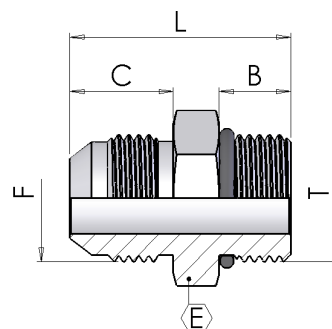
Gomito 90° JIC/NPTF



Part number	Ø Tube		Dimensions				
			Thread		Hex		
	in	mm	T	C	E	F	L
X5140-02-04	1/4"	6	1/8"	23	11	7/16" - 20	20
X5140-02-05	5/16"	8	1/8"	24	13	1/2" - 20	20
X5140-04-04	1/4"	6	1/4"	28.5	14	7/16" - 20	26.5
X5140-04-05	5/16"	8	1/4"	27	14	1/2" - 20	28
X5140-04-06	3/8"	10	1/4"	27	14	9/16" - 18	25
X5140-06-06	3/8"	10	3/8"	27	14	9/16" - 18	27
X5140-06-08	1/2"	12	3/8"	31	19	3/4" - 16	29.5
X5140-06-10	5/8"	14	3/8"	37.5	24	7/8" - 14	37
X5140-08-06	3/8"	10	1/2"	31	22	9/16" - 18	37
X5140-08-08	1/2"	12	1/2"	31	19	3/4" - 16	34
X5140-08-10	5/8"	15	1/2"	37.5	24	7/8" - 14	38
X5140-08-12	3/4"	18	1/2"	42	24	1.1/16" - 12	38
X5140-12-10	5/8"	16	3/4"	37.5	24	7/8" - 14	41.5
X5140-12-12	3/4"	20	3/4"	42	24	1.1/16" - 12	41.5
X5140-12-16	1"	25	3/4"	46	33	1.5/16" - 12	45
X5140-16-16	1"	25	1"	49	33	1.5/16" - 12	50
X5140-16-20	1.1/4"	32	1"	52	41	1.5/8" - 12	60
X5140-20-20	1.1/4"	32	1-1/4"	52	45	1.5/8" - 12	61
X5140-24-24	1.1/2"	38	1-1/2"	64	50	1.7/8" - 12	59

X1907

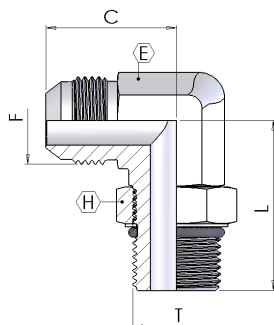
Nipplo maschio Jic/UNF



Part number	Ø Tube		Dimensions					
			Thread		Hex			
			T	B	C	E	F	L
X1907-04-04	1/4"	6	7/16" - 20	9.2	14	17	7/16" - 20	31
X1907-05-05	5/16"	8	1/2" - 20	9.2	14	17	1/2" - 20	31
X1907-06-06	3/8"	10	9/16" - 18	10	14	19	9/16" - 18	33
X1907-06-08	3/8"	10	3/4" - 14	11	14	24	9/16" - 18	35.5
X1907-08-08	1/2"	12	3/4" - 14	11	17	24	3/4" - 14	38
X1907-08-10	1/2"	12	7/8" - 14	12.7	17	27	3/4" - 14	40
X1907-10-10	5/8"	15	7/8" - 14	12.7	19.5	27	7/8" - 14	43
X1907-10-12	5/8"	16	1.1/16" - 12	15	19.5	32	7/8" - 14	47
X1907-12-12	3/4"	20	1.1/16" - 12	15	22	32	1.1/16" - 12	50
X1907-12-16	3/4"	20	1.5/16" - 12	15	22	41	1.1/16" - 12	51
X1907-16-16	1"	25	1.5/16" - 12	15	23	41	1.5/16" - 12	52
X1907-20-20	1.1/4"	32	1.5/8" - 12	15	24.3	50	1.5/8" - 12	53
X1907-24-24	1.1/2"	38	1.7/8" - 12	15	27.5	55	1.7/8" - 12	56.5

X5190

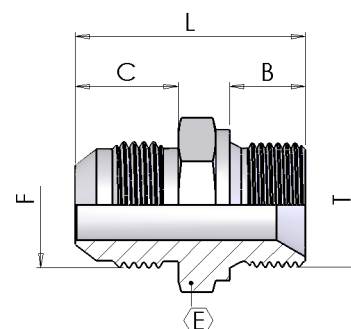
Gomito 90° orientabile JIC/UNF



Part number	Ø Tube		Dimensions					
			Thread		Hex		L	H
			T	C	E	F		
X5190-04	1/4"	6	7/16" - 20	23	11	7/16" - 20	26	14
X5190-05	5/16"	8	1/2" - 20	24	13	1/2" - 20	29	16
X5190-06	3/8"	10	9/16" - 18	27	14	9/16" - 18	32	17
X5190-08	1/2"	12	3/4" - 16	32	19	3/4" - 16	37	22
X5190-10	5/8"	16	7/8" - 14	37	22	7/8" - 14	43	27
X5190-12	3/4"	20	1.1/16" - 12	44	27	1.1/16" - 12	49	32
X5190-16	1"	25	1.5/16" - 12	46	33	1.5/16" - 12	52	38
X5190-20	1.1/4"	32	1.5/8" - 12	52	41	1.5/8" - 12	57	50

X1905

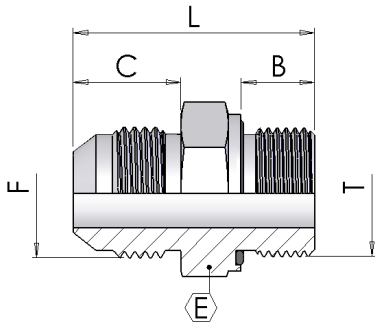
Nipplo maschio BSP/JIC



Part number	Ø Tube		Dimensions					
			Thread			Hex		
	in	mm	T	B	C	E	F	L
X1905-02-04	1/4"	6	1/8"	8	14	14	7/16" - 20	30
X1905-04-04	1/4"	6	1/4"	12	14	19	7/16" - 20	34
X1905-04-05	5/16"	8	1/4"	12	14	19	1/2" - 20	34
X1905-04-06	3/8"	10	1/4"	10	14	19	9/16" - 18	33
X1905-06-05	5/16"	8	3/8"	12	14	22	1/2" - 20	34.5
X1905-06-06	3/8"	10	3/8"	12	14	22	9/16" - 18	34.5
X1905-06-08	1/2"	12	3/8"	12	17	22	3/4" - 16	41
X1905-06-10	5/8"	14	3/8"	12	19.5	24	7/8" - 14	42.5
X1905-08-06	3/8"	10	1/2"	14	14	27	9/16" - 18	40
X1905-08-08	1/2"	12	1/2"	14	17	27	3/4" - 16	40.5
X1905-08-10	5/8"	15	1/2"	14	19.5	27	7/8" - 14	43
X1905-08-12	3/4"	20	1/2"	14	22	27	1.1/16" - 12	50
X1905-12-10	5/8"	14	3/4"	16	19	32	7/8" - 14	46
X1905-12-12	3/4"	20	3/4"	16	22	32	1.1/16" - 12	51
X1905-12-16	1"	25	3/4"	16	23	36	1.5/16" - 12	53
X1905-16-12	3/4"	20	1"	18	22	41	1.1/16" - 12	53
X1905-16-16	1"	25	1"	18	23	41	1.5/16" - 12	53.5
X1905-16-20	1.1/4"	32	1"	18	24.3	46	1.5/8" - 12	55
X1905-20-20	1.1/4"	32	1.1/4"	20	24.3	50	1.5/8" - 12	59
X1905-24-20	1.1/4"	32	1.1/2"	22	24.3	55	1.5/8" - 12	61
X1905-24-24	1.1/2"	38	1.1/2"	22	27.5	55	1.7/8" - 12	64

X5805

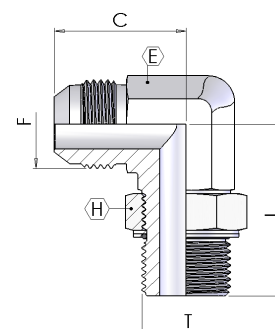
Giunzione M/M Jic/BSP O'Ring con guarnizione ED



Part number	Ø Tube		Dimensions					
			Thread			Hex		
	in	mm	T	B	C	E	F	L
X5805-02-04	1/4"	6	1/8-28	8	14	14	7/16-20	30
X5805-04-04	1/4"	6	1/4-19	12	14	19	7/16-20	34
X5805-04-05	5/16"	8	1/4-19	12	14	19	1/2-20	34
X5805-04-06	3/8"	10	1/4-19	10	14	19	9/16-18	33
X5805-04-08	1/2"	12	1/4-19	10	17	22	3/4-16	37
X5805-06-04	1/4"	6	3/8-19	12	14	22	7/16-20	34.5
X5805-06-05	5/16"	8	3/8-19	12	14	22	1/2-20	34.5
X5805-06-06	3/8"	10	3/8-19	10	14	22	9/16-18	36
X5805-06-08	1/2"	12	3/8-19	12	17	22	3/4-16	41
X5805-06-10	5/8"	14-16	3/8-19	12	19.5	24	7/8-14	42.5
X5805-08-06	3/8"	10	1/2-14	14	14	27	9/16-18	40
X5805-08-08	1/2"	12	1/2-14	14	17	27	3/4-16	40.5
X5805-08-10	5/8"	14-16	1/2-14	14	19.5	27	7/8-14	43
X5805-08-12	3/4"	18-20	1/2-14	14	22	27	1.1/16-12	50
X5805-12-08	1/2"	12	3/4-11	16	17	32	3/4-16	46
X5805-12-12	3/4"	18-20	3/4-11	16	22	32	1.1/16-12	51
X5805-12-16	1"	25	3/4-11	16	23	36	1.5/16-12	53
X5805-16-12	3/4"	18-20	1-11	18	22	41	1.1/16-12	53
X5805-16-16	1"	25	1-11	18	23	41	1.5/16-12	53.5
X5805-20-16	1"	25	1.1/4-11	20	23	50	1.5/16-12	57.5
X5805-20-20	1.1/4"	30-32	1.1/4-11	20	24.3	50	1.5/8-12	59
X5805-24-24	1.1/2"	38	1.1/2-11	22	27.5	55	1.7/8-12	64

X5230

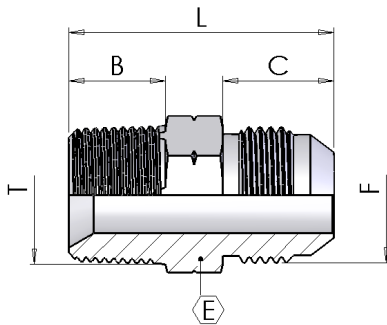
Gomito 90° orientabile JIC/BSP



Part number	Ø Tube		Dimensions					
			Thread		Hex			
	in	mm	T	C	E	F	L	H
X5230-02-04	1/4"	6	1/8"	22.6	11	7/16" - 20	26.5	14
X5230-04-04	1/4"	6	1/4"	22.6	14	7/16" - 20	32	19
X5230-04-05	5/16"	8	1/4"	26.6	14	1/2" - 20	32	19
X5230-04-06	3/8"	10	1/4"	26.9	14	9/16" - 18	32	19
X5230-06-06	3/8"	10	3/8"	29	19	9/16" - 18	37	22
X5230-06-08	1/2"	12	3/8"	31.8	19	3/4" - 16	37	22
X5230-08-08	1/2"	12	1/2"	33.8	22	3/4" - 16	43	27
X5230-08-12	3/4"	20	1/2"	42.2	27	1.1/16" - 12	49.5	27
X5230-12-12	3/4"	20	3/4"	42.2	27	1.1/16" - 12	49.5	36
X5230-16-16	1"	25	1"	46	33	1.5/16" - 12	52	41
X5230-20-20	1.1/4"	32	1.1/4"	52.3	41	1.5/8" - 12	57	50
X5230-24-24	1.1/2"	38	1.1/2"	59.2	48	1.7/8" - 12	60.5	55

X1903

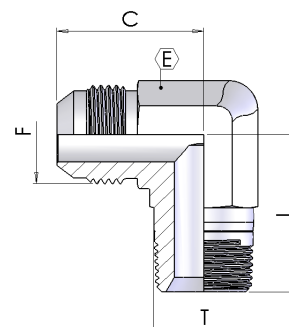
Giunzione M/M Jic/Gas Conico



Part number	Ø Tube		Dimensions					
			Thread	B	C	Hex	F	L
	in	mm	T					
X1903-02-04	1/4"	6	1/8"	8	14	12	7/16" - 20	29
X1903-04-04	1/4"	6	1/4"	12	14	14	7/16" - 20	33
X1903-04-05	5/16"	8	1/4"	12	14	14	1/2" - 20	33
X1903-04-06	3/8"	10	1/4"	12	14	17	9/16" - 18	31
X1903-06-05	5/16"	8	3/8"	12	14	19	1/2" - 20	32.7
X1903-06-06	3/8"	10	3/8"	12	14	19	9/16" - 18	30.7
X1903-06-08	1/2"	12	3/8"	12	17	19	3/4" - 16	35.7
X1903-06-10	5/8"	14	3/8"	12	19.5	24	7/8" - 14	38.7
X1903-08-06	3/8"	10	1/2"	14	14	22	9/16" - 18	37
X1903-08-08	1/2"	12	1/2"	14	17	22	3/4" - 16	39.7
X1903-08-10	5/8"	15	1/2"	14	19.5	24	7/8" - 14	42
X1903-08-12	3/4"	20	1/2"	14	22	27	1.1/16" - 12	46.2
X1903-12-12	3/4"	20	3/4"	16	22	37	1.1/16" - 12	48.3
X1903-12-16	1"	25	3/4"	16	23	36	1.5/16" - 12	49
X1903-16-12	3/4"	20	1"	18	22	36	1.1/16" - 12	50.5
X1903-16-16	1"	25	1"	18	23	36	1.5/16" - 12	51
X1903-16-20	1.1/4"	32	1"	18	24.3	46	1.5/8" - 12	55
X1903-20-20	1.1/4"	32	1.1/4"	20	24.3	46	1.5/8" - 12	56.5
X1903-24-20	1.1/4"	32	1.1/2"	22	24.3	50	1.5/8" - 12	60.8
X1903-24-24	1.1/2"	38	1.1/2"	22	27.5	50	1.7/8" - 12	64

X5165

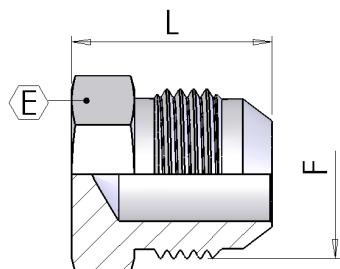
Curva 90° M/M Jic/Gas Conico



Part number	Ø Tube		Dimensions					
			Thread		Hex		L	
	in	mm	T	T	C	E		F
X5165-04-04	1/4"	6	1/4-19	1/4-19	27	14	7/16"-20	28
X5165-04-06	3/8"	10	1/4-19	1/4-19	27	14	9/16"-18	28
X5165-06-06	3/8"	10	3/8-19	3/8-19	29	19	9/16"-18	31
X5165-06-08	1/2"	12	3/8-19	3/8-19	32	19	3/4"-16	31
X5165-08-08	1/2"	12	1/2-14	1/2-14	34	22	3/4"-16	37
X5165-12-10	5/8"	14-16	3/4-11	3/4-11	39	27	7/8"-14	40
X5165-12-12	3/4"	18-20	3/4-11	3/4-11	42	27	1.1/16"-12	40
X5165-16-12	3/4"	18-20	1-11	1-11	45	33	1.1/16"-12	50
X5165-16-16	1"	25	1-11	1-11	46	33	1.5/16"-12	50
X5165-20-20	1.1/4"	30-32	1.1/4-11	1.1/4-11	52	41	1.5/8"-12	61
X5165-24-24	1.1/2"	38	1.1/2-11	1.1/2-11	64	50	1.7/8"-12	59

XJ605

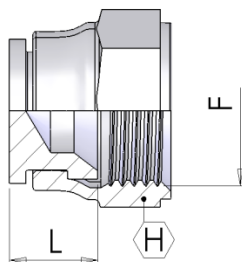
Tappo maschio



Part number	Dimensions		
	Hex		
	E	F	L
XJ605-04	12	7/16" - 20	22
XJ605-05	14	1/2" - 20	20
XJ605-06	15	9/16" - 18	22
XJ605-08	19	3/4" - 16	25
XJ605-10	24	7/8" - 14	27
XJ605-12	27	1.1/16" - 12	32
XJ605-14	32	1.3/16" - 12	33
XJ605-16	34	1.5/16" - 12	33
XJ605-20	46	1.5/8" - 12	36
XJ605-24	50	1.7/8" - 12	43

XJ608

Tappo femmina girevole



Part number	Dimensions		
	F	L	H
XJ608-04	7/16" - 20	10	14
XJ608-05	1/2" - 20	10	17
XJ608-06	9/16" - 18	12	19
XJ608-07	5/8" - 18	12	22
XJ608-08	3/4" - 16	13	24
XJ608-10	7/8" - 14	14	27
XJ608-12	1.1/16" - 12	16	32
XJ608-14	1.3/16" - 12	15	36
XJ608-16	1.5/16" - 12	17	41
XJ608-20	1.5/8" - 12	20	50
XJ608-24	1.7/8" - 12	23	55

Analytical Index

X0001.....	10	X0902.....	30
X001C.....	8	X0950.....	31
X0002.....	11	X0950H.....	70
X0003.....	12	X0951.....	30
X004H.....	15	X0952.....	31
X004N.....	66	X1000.....	32
X0007.....	13	X1000H.....	71
X0008.....	13	X1001.....	32
X0009.....	14	X1002.....	33
X0013.....	66	X1050H.....	76
X0022.....	9	X1060.....	57
X0035.....	35	X1100H.....	79
X0050H.....	68	X1110.....	60
X0051.....	18	X1150H.....	77
X0052.....	19	X1160.....	58
X0061.....	16	X1200H.....	80
X0062.....	16	X1210.....	61
X0084.....	43	X1250H.....	76
X0084H.....	72	X1260.....	56
X0085.....	38	X1300H.....	78
X0085.....	39	X1310.....	59
X0135.....	36	X1350.....	46
X0150.....	20	X1400.....	25
X0150H.....	68	X1600.....	26
X0151.....	20	X1600-00.....	25
X0152.....	21	X1650.....	47
X0184.....	44	X1700.....	84
X0184H.....	72	X1800.....	85
X0185.....	40	X1865.....	99
X0185.....	40	X1875.....	100
X0235.....	36	X1900.....	160
X0250.....	22	X1903.....	170
X0250H.....	69	X1905.....	167
X0251.....	22	X1906.....	163
X0252.....	23	X1907.....	165
X0284.....	45	X2000.....	87
X0284H.....	73	X2010.....	88
X0285.....	41	X2351.....	92
X0285.....	41	X2451.....	93
X0345.....	15	X3900.....	101
X0350.....	17	X4501.....	93
X0350H.....	67	X4520.....	89
X0360.....	24	X4551.....	94
X0370.....	27	X4570.....	94
X0370H.....	67	X4620.....	99
X0400.....	34	X4701.....	90
X0450.....	42	X4711.....	90
X0450H.....	71	X4721.....	91
X0500.....	37	X4730.....	89
X0550.....	48	X4820.....	95
X0650.....	49	X5000.....	154
X0750.....	50	X5010.....	154
X0850.....	28	X5020.....	155
X0850H.....	69	X5036.....	156
X0900H.....	70	X5055.....	157
X0901.....	29	X5056.....	157
		X5060.....	158
		X5070.....	158

X5080.....	159
X5090.....	159
X5100.....	160
X5110.....	161
X5120.....	161
X5130.....	162
X5140.....	164
X5165.....	171
X5190.....	166
X5230.....	169
X5805.....	168
X7000.....	125
X7020.....	126
X7030.....	142
X7130.....	127
X7200.....	138
X7200.....	139
X7240.....	140
X7240.....	141
X7250.....	143
X7250.....	144
X7260.....	146
X7260.....	145
X7270.....	147
X7280.....	149
X7290.....	148
X7330.....	135
X7340.....	136
X7350.....	137
X7360.....	128
X7360.....	129
X7370.....	130
X7370.....	131
X7370.....	132
X7370.....	133
X7380.....	134
X7400.....	107
X7410.....	108
X7430.....	109
X7430.....	110
X7430.....	111
X7430.....	112
X7440.....	113
X7440.....	114
X7440.....	115
X7450.....	116
X7450.....	117
X7450.....	118
X7460.....	119
X7460.....	120
X7460.....	121
X7500.....	122
X7510.....	123
X7520.....	124
XA105.....	95
XA106.....	88
XA604.....	97
XA605.....	98

XA608.....	96
XBMC1.....	11
XBMC2.....	12
XD050.....	62
XFK50.....	51
XJ605.....	172
XJ608.....	172
XPTFE.....	14
XR605.....	86
XS003.....	58
XS05TH.....	74
XS006.....	62
XS050.....	53
XS050H.....	73
XS150.....	54
XS150H.....	74
XS250.....	55
XS250H.....	75
XS350.....	52
XS350H.....	75

Type Index

45 ° male / female swivel.....	158
45° Metric Standpipe.....	50
45° Metric Swept Elbow 24° Seat Heavy.....	45
45° Metric Swept Elbow 24° Seat Heavy.....	73
45° Metric Swept Elbow 24° Seat Light.....	41
45° Metric Swept Elbow 24° Seat Light Crimped Nut.....	41
45° Metric Swept Elbow 24° Seat Light Multiseal.....	36
45° SAE Flange 3000 PSI.....	58
45° SAE Flange 3000 PSI.....	77
45° SAE Flange 6000 PSI.....	61
45° SAE Flange 6000 PSI.....	80
90° connector BSP male x BSPT male.....	99
90° connector JIC male X NPTF male.....	164
90° elbow "adjustable".....	166
90° elbow "adjustable".....	169
90° Elbow Union.....	94
90° Elbow Union.....	160
90° JIC male X JIC female.....	158
90° Metric Standpipe.....	49
90° Metric Swept Elbow 24° Seat Heavy.....	44
90° Metric Swept Elbow 24° Seat Heavy.....	72
90° Metric Swept Elbow 24° Seat Light.....	40
90° Metric Swept Elbow 24° Seat Light Crim. Nut.....	40
90° Metric Swept Elbow 24° Seat Light Multiseal.....	36
90° SAE Flange 3000 PSI.....	57
90° SAE Flange 3000 PSI.....	76
90° SAE Flange 6000 PSI.....	60
90° SAE Flange 6000 PSI.....	79
90° Union Elbow.....	89
Adjustable Elbow BSP/BSP.....	101
Angular rotary fitting.....	135
BSP 45° Swept Elbow 60° Cone Crimped Nut.....	22
BSP 45° Swept Elbow 60° Cone Slip On Nut.....	23

BSP 45° Swept Elbow 60° Cone Thrust Wire.....	69	JIC Female 74° Cone	30
BSP 45° Swept Elbow 60° C. Thrust Wire Nut -O-R.	22	JIC Female 74° Cone	70
BSP 90° Swept elbow 60° Cone Crimped Nut	20	JIC Male 74° Cone	28
BSP 90° Swept elbow 60° Cone Slip On Nut	21	JIC Male 74° Cone	69
BSP 90° Swept Elbow 60° Cone Thrust Wire.....	20	K' Female.....	51
BSP 90° Swept Elbow 60° Cone Thrust Wire.....	68	Male 90° Elbow Jic/BSPT.....	171
BSP Banjo.....	25	Male connector.....	160
BSP Female 60° Cone	18	Male Connector BSP/BSPT.....	99
BSP Female 60° Cone	19	Male Connector BSP/NPTF	100
BSP Female 60° Cone	68	Male Connector Jic/BSP O'Ring with "ED" seal.....	168
BSP Female Flat Seal	16	Male Connector Jic/BSPT	170
BSP Female Flat Seal	16	Male connector JIC male X UNF straight thread	165
BSP Male - Flat Seat.....	15	Male connector NPTF male X JIC male	163
BSP Male Parallel 60° Cone	17	Male/female connector.....	87
BSP Male Parallel 60° Cone	67	Male plug.....	98
BSP perfored bolt.....	25	Male plug.....	172
BSP Taper Male 60° Cone.....	24	Male Stud Couplings	109
Bulkhead 90° Elbow Union.....	127	Male Stud Couplings	110
Bulkhead 90° Elbow Union.....	162	Male Stud Couplings	111
Bulkhead Union.....	88	Male Stud Couplings	112
Connector BSP parallel thread male X JIC male	167	Male Stud Couplings	113
connector JIC male X BSP straight thread male.....	169	Male Stud Couplings	114
connector JIC male X UNF straight thread male	166	Male Stud Couplings	115
connector swivel.....	158	Male Stud Couplings	116
Connector swivel JIC fem. X BSP male-"ED" seal	156	Male Stud Couplings	117
Crimped Nut.....	18	Male Stud Couplings	118
Crimped Nut.....	29	Metric Banjo.....	46
Cut Split Flanges - 3000 psi	58	Metric Female 24° Seat Heavy.....	43
Cut Split Flanges - 6000 psi	62	Metric Female 24° Seat Heavy.....	72
Cutting Rings	108	Metric Female 24° Seat Light.....	38
Double BSP perfored bolt.....	26	Metric Female 24° Seat Light Crimped Nut	39
elbow JIC	158	Metric Female 24° Seat Light Multiseal	35
Equal Elbows	124	Metric Male 24° Seat Heavy	42
Equal Tees.....	125	Metric Male 24° Seat Heavy	71
Female branch tee.....	90	Metric Male 24° Seat Light.....	37
Female branch tee.....	159	Metric Male 60° cone.....	34
Female-Male Reduction	88	Metric perfored bolt.....	47
Female Plug	97	Metric Standpipe.....	48
Female Plug Swivel	96	NPTF Male 60° Cone.....	27
Female Plug Swivel	172	NPTF Male 60° Cone.....	67
Female run tee	90	Nut	154
Female run tee	159	Nuts	107
Female Stud Couplings	143	ORFS 45° Swept Elbow.....	55
Female Stud Couplings	144	ORFS 45° Swept Elbow.....	75
Ferrule for PTFE hose	14	ORFS 90° Swept Elbow.....	54
Gauge Couplings.....	142	ORFS 90° Swept Elbow.....	74
Hose Junction	62	ORFS Female.....	53
Inner hexagon	145	ORFS Female.....	73
Inner hexagon	146	ORFS Female Back Hexagon.....	74
JIC 45° Swept Elbow 74° Cone - Crimped Nut	32	ORFS Male	52
JIC 45° Swept Elbow 74° Cone Slip On Nut.....	33	ORFS Male	75
JIC 45° Swept Elbow 74° cone Thrust Wire	32	Orientable Banjo elbows	138
JIC 45° Swept Elbow 74° Cone Thrust Wire.....	71	Orientable Banjo elbows	139
JIC 90° Swept Elbow 74° Cone - Crimped Nut	30	Pipe plug	147
JIC 90° Swept Elbow 74° Cone Slip on Nut	31	Pipe plug with O-Ring seal.....	148
JIC 90° Swept Elbow 74° Cone Thrust Wire.....	31	plugPacking ring.....	145
JIC 90° Swept Elbow 74° Cone Thrust Wire.....	70	plugPacking ring.....	146
JIC Female 74° Cone	29	Reduced Straight couplings.....	123

Reduction Niple	85	Union Tee	161
Male-Female reduction with flat seal.....	140	Welding Nipples	149
Male-Female reduction with flat seal.....	141	with O'Ring	134
Rotary fitting a L	137	with O-Ring Seal.....	149
Rotary fitting a Tees	136	with O.Ring Seal.....	135
rubber seal	112	with O.Ring Seal.....	136
rubber seal	113	with O.Ring Seal.....	137
rubber seal	114	with seal ring.....	138
rubber seal	115	with seal ring.....	139
Short Male-Female Reduction	86		
Sleeve for inches tube	154		
Sleeve for inches tube	155		
Slip on Nut.....	16		
Slip On Nut.....	19		
Slip On Nut.....	30		
Standpipe/Tube Reducers 'L' Series-O.Ring Seal....	130		
Standpipe/Tube Reducers 'L' Series-O.Ring Seal....	131		
Standpipe/Tube Reducers 'S' Series-O.Ring Seal...	132		
Standpipe/Tube Reducers 'S' Series-O.Ring Seal...	133		
Straight Bulkhead Union.....	126		
Straight Bulkhead Union.....	161		
Straight couplings	122		
Straight fitting	134		
Straight fitting with O'Ring seal	128		
Straight fitting with O'Ring seal	129		
Straight SAE Flange 3000 PSI	56		
Straight SAE Flange 3000 PSI	76		
Straight SAE Flange 6000 PSI	59		
Straight SAE Flange 6000 PSI	78		
Stud Elbows	119		
Stud Elbows	120		
Stud Elbows	121		
Swaged Ferrule (no skive).....	8		
Swaged Ferrule (no skive).....	9		
Swaged Ferrule (no skive).....	11		
Swaged Ferrule (no skive).....	12		
Swaged Ferrule (no skive).....	12		
Swaged Ferrule (no skive).....	13		
Swaged Ferrule (no skive).....	13		
Swaged Ferrule (skive).....	10		
Swaged Ferrule (skive).....	11		
Swaged Ferrule (skive).....	14		
Swaged Ferrule (skive).....	15		
Swaged Ferrule (skive).....	66		
Swaged Ferrule (skive).....	66		
Swivel 90° Elbow.....	93		
Swivel 90° Elbow.....	94		
Swivel Connector	92		
Swivel Connector	93		
Swivel Female Union Tee	91		
Swivel Reduction M/F JIC	157		
Swivel Union M/F JIC.....	157		
Thrust Wire	68		
Thrust Wire	70		
Union	84		
Union	95		
Union Tee	89		
Union Tee	95		



INTERPUMP

FLUID SOLUTIONS 

Powered by I.M.M. Hydraulics



I.M.M. Hydraulics Spa
interpumpfluidsolutions.com

Via Italia, 49-51
66041 - Atessa (Ch) - Italy
T. +39 (0) 0872 889225
F. +39 (0) 0872 889226

