



# INTERPUMP

FLUID SOLUTIONS 

Powered by I.M.M. Hydraulics

## Raccordi Inox

2020



# Raccordi Inox

**Standard tails**  
**Inter-Lock tails**

Abbiamo disponibili anche i seguenti cataloghi

**Raccordi**  
**Tubo flessibile e accessori**

**Raccordi one-piece**

**Macchine**

**Innesti rapidi**

**MGQUIX**



STANDARD  
TAILS

in!



**X001C**



Swaged Ferrule (no skive)

8

**X0022**



Swaged Ferrule (no skive)

9

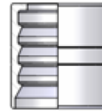
**X0001**



Swaged Ferrule (skive)

10

**X0002**



Swaged Ferrule (skive)

11

**XBMC1**



Swaged Ferrule (no skive)

11

**XBMC2**



Swaged Ferrule (no skive)

12



**X0003**



Swaged Ferrule (no skive)

12



**X0007**



Swaged Ferrule (no skive)

13

**X0008**



Swaged Ferrule (no skive)

13

**XPTFE**

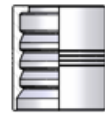


Ferrule for PTFE hose

14



**X0009**



Swaged Ferrule (skive)

14

**X004H**



Swaged Ferrule (skive)

15



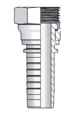
**X0345**



BSP Male - Flat Seat

15

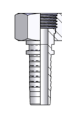
**X0061**



BSP Female Flat Seal

16

**X0062**



BSP Female Flat Seal Slip on Nut

16



**X0350**



BSP Male Parallel 60° cone

17



**X0051**



BSP Female 60° Cone Crimped Nut

18

**X0052**



BSP Female 60° Cone Slip On Nut

19

**X0151**



BSP 90° Swept elbow  
60° cone - Crimped  
Nut

20

**X0150**



BSP 90° Swept Elbow  
60° cone Thrust Wire

20

**X0152**



BSP 90° Swept elbow  
60° cone Slip On Nut

21

**X0251**



BSP 45° Swept Elbow  
60° Cone - Crimped  
Nut

22

**X0250**



BSP 45° Swept Elbow  
60° Cone Thrust Wire  
Nut with O-Ring

22

**X0252**



BSP 45° Swept Elbow  
60° Cone Slip On Nut

23



**X0360**



BSP Taper Male 60°  
cone

24



**X1400**



BSP Banjo

25

**X1600-00**



BSP perfored bolt

25

**X1600**



Double BSP perfored  
bolt

26



**X0370**



NPTF Male 60° cone

27



**X0850**



JIC Male 74° cone

28



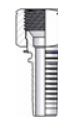
**X0901**



JIC Female 74° cone  
Crimped Nut

29

**X0902**



JIC Female 74° cone  
Slip On Nut

30

**X0951**



JIC 90° Swept Elbow  
74° cone - Crimped  
Nut

30

**X0950**



JIC 90° Swept Elbow  
74° cone Thrust Wire

31

**X0952**



JIC 90° Swept Elbow  
74° cone Slip on Nut

31

**X1001**



JIC 45° Swept Elbow  
74° Cone - Crimped  
Nut

32

**X1000**



JIC 45° Swept Elbow  
74° cone Thrust Wire

32

**X1002**



JIC 45° Swept Elbow  
74° Cone Slip On Nut

33



**X0400**

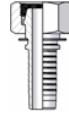


Metric Male 60° cone

34



**X0035**



Metric Female 24°  
Seat Light Multiseal

35

**X0135**



90° Metric Swept  
Elbow 24° Seat Light  
Multiseal

36

**X0235**



45° Metric Swept  
Elbow 24° Seat Light  
Multiseal

36



**X0500**

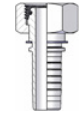


Metric Male 24° Seat  
Light

37



**X0085**



Metric Female 24°  
Seat Light

38

**X0085**



Metric Female 24°  
Seat Light Crimped  
Nut

39

**X0185**



90° Metric Swept  
Elbow 24° Seat Light

40

**X0185**



90° Metric Swept  
Elbow 24° Seat Light  
Crimped Nut

40

**X0285**



45° Metric Swept  
Elbow 24° Seat Light

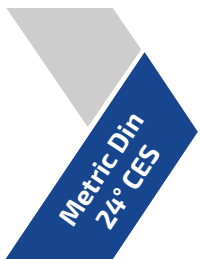
41

**X0285**



45° Metric Swept  
Elbow 24° Seat Light  
Crimped Nut

41



**X0450**



Metric Male 24° Seat  
Heavy

42



**X0084**



Metric Female 24°  
Seat Heavy

43

**X0184**



90° Metric Swept EL-  
bow 24° Seat Heavy

44

**X0284**



45° Metric Swept EL-  
bow 24° Seat Heavy

45



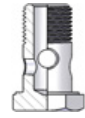
**X1350**



Metric Banjo

46

**X1650**



Metric perfored bolt

47





**X0550**



Metric Standpipe

48

**X0650**



90° Metric Standpipe

49

**X0750**



45° Metric Standpipe

50



**XFK50**



K' Female

51



**XS350**



ORFS Male

52



**XS050**



ORFS Female

53

**XS150**



ORFS 90° Swept Elbow

54

**XS250**



ORFS 45° Swept Elbow

55



**X1260**



Straight SAE Flange 3000 PSI

56

**X1060**



90° SAE Flange 3000 PSI

57

**X1160**



45° SAE Flange 3000 PSI

58

**XS003**



Cut Split Flanges - 3000 psi

58



**X1310**



Straight SAE Flange 6000 PSI

59

**X1110**



90° SAE Flange 6000 PSI

60

**X1210**



45° SAE Flange 6000 PSI

61

**XS006**



Cut Split Flanges - 6000 psi

62



**XD050**

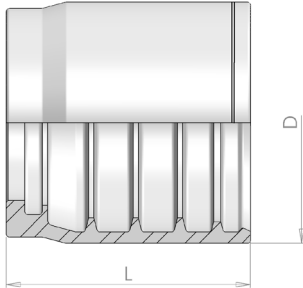


Hose Junction

62

# X001C

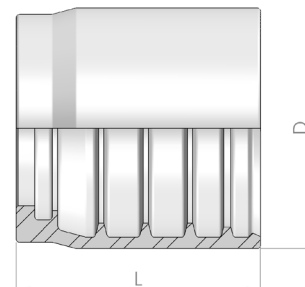
## Boccola a Pressare (non skive)



Part number	Hose I.D.		Dimensions		Skive Length
			D	L	
	in	mm			
X001C-03	3/16	4.8	18.5	24	NO
X001C-04	1/4	6.4	20	26	NO
X001C-05	5/16	7.9	22	28	NO
X001C-06	3/8	9.5	25	28	NO
X001C-08	1/2	12.7	28	28	NO
X001C-10	5/8	15.9	32	31	NO
X001C-12	3/4	19	36	38	NO
X001C-16	1	25.4	44	47.5	NO
X001C-20	1.1/4	31.8	54	56	NO
X001C-24	1.1/2	38.1	61.6	66	NO
X001C-32	2	50.8	75.4	73	NO
X001C-40	2.1/2	63.5	88.4	90	NO
X001C48	3	76.2	100.5	90	NO

## X0022

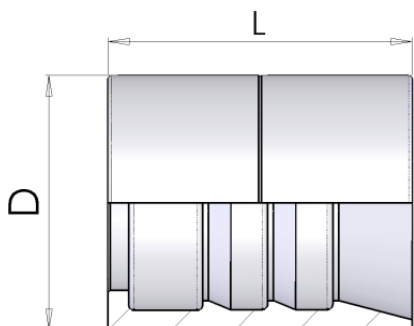
## Boccola a Pressare (non skive)



Part number	Hose I.D.		Dimensions		Skive Length
			D	L	
	in	mm			
X0022-03	3/16	4.8	21	25.3	NO
X0022-04	1/4	6.4	22	28	NO
X0022-05	5/16	7.9	24	28	NO
X0022-06	3/8	9.5	26	28	NO
X0022-08	1/2	12.7	30	31	NO
X0022-10	5/8	15.9	34	31	NO
X0022-12	3/4	19	38	38.5	NO
X0022-16	1	25.4	47	47.5	NO
X0022-20	1.1/4	31.8	58	56	NO
X0022-24	1.1/2	38.1	65.6	66	NO
X0022-32	2	50.8	78.6	73	NO

# X0001

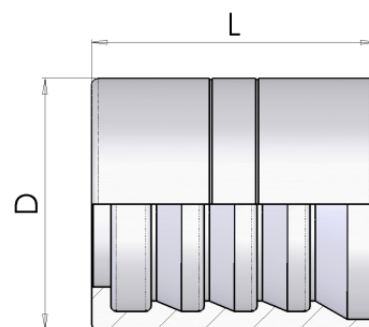
## Boccola a Pressare (skive)



Part number	Hose I.D.		Dimensions		Skive Length
			D	L	
	in	mm			
X0001-03	3/16	4.8	17.5	27	20
X0001-04	1/4	6.4	20	30.2	23
X0001-05	5/16	7.9	22	30.7	23
X0001-06	3/8	9.5	24	32	24
X0001-08	1/2	12.7	28.5	34	25
X0001-10	5/8	15.9	32	37	27
X0001-12	3/4	19	36	43	31
X0001-16	1	25.4	43	50	37
X0001-20	1.1/4	31.8	52	57	46
X0001-24	1.1/2	38.1	57	63	44
X0001-32	2	50.8	70.6	78	60

## X0002

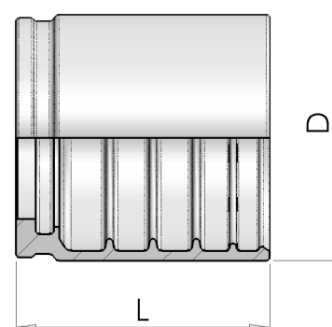
## Boccola a Pressare (skive)



Part number	Hose I.D.		Dimensions		Skive Length
			D	L	
	in	mm			
X0002-03	3/16	4.8	20	27	21
X0002-04	1/4	6.4	21	30	22
X0002-05	5/16	7.9	24	30	22
X0002-06	3/8	9.5	25.4	32	24
X0002-08	1/2	12.7	30	34	25
X0002-10	5/8	15.9	34	37	27
X0002-12	3/4	19	38	43	31
X0002-16	1	25.4	46	50	37
X0002-20	1.1/4	31.8	56	59	43
X0002-24	1.1/2	38.1	62	63	45
X0002-32	2	50.8	75	79	61

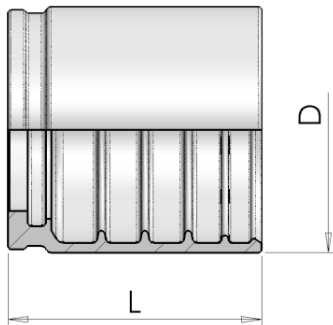
## XBMC1

## Boccola a Pressare (non skive)



Part number	Hose I.D.		Dimensions		Skive Length
			D	L	
	in	mm			
XBMC1-12	3/4	19	45	41	NO
XBMC1-16	1	25.4	53.5	56	NO
XBMC1-20	1.1/4	31.8	62	62	NO

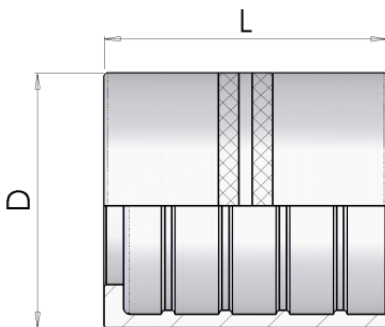
## XBMC2



### Boccola a Pressare (non skive)

Part number	Hose I.D.		Dimensions		Skive Length
			D	L	
XBMC2-20	1.1/4	31.8	66	62	NO
XBMC2-24	1.1/2	38.1	73.3	70	NO

## X0003

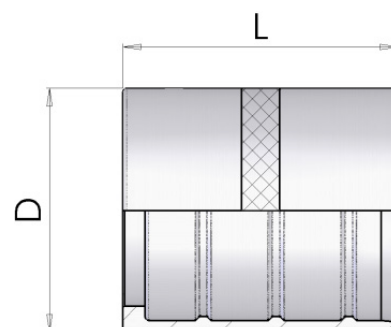


### Boccola a Pressare (non skive)

Part number	Hose I.D.		Dimensions		Skive Length
			D	L	
X0003-03	3/16	4.8	14	27	NO
X0003-04	1/4	6.4	19	29	NO
X0003-05	5/16	7.9	22	30	NO
X0003-06	3/8	9.5	24	31	NO
X0003-08	1/2	12.7	28.5	34	NO
X0003-10	5/8	15.9	32	36	NO
X0003-12	3/4	19	38	42	NO
X0003-16	1	25.4	46	50	NO
X0003-20	1.1/4	31.8	52	57	NO

## X0007

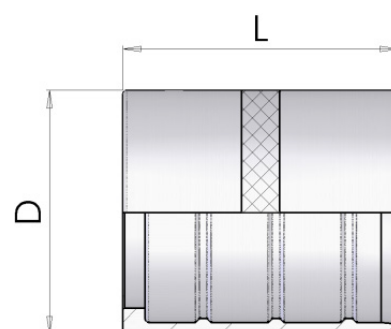
### Boccola a Pressare (non skive)



Part number	Hose I.D.		Dimensions		Skive Length
			D	L	
	in	mm			
X0007-03	3/16	4.8	14	27	NO
X0007-04	1/4	6.4	17	29	NO
X0007-05	5/16	7.9	19	30	NO
X0007-06	3/8	9.5	21	31	NO
X0007-08	1/2	12.7	25.4	34	NO
X0007-10	5/8	15.9	28.5	36	NO
X0007-12	3/4	19	32	36	NO
X0007-16	1	25.4	40	50	NO

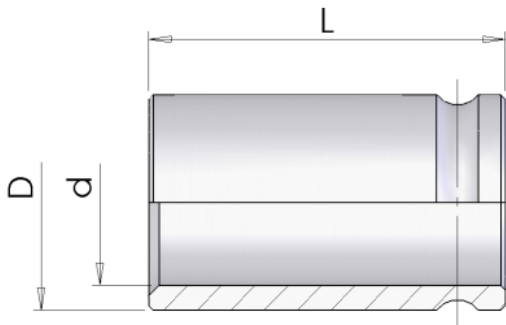
## X0008

### Boccola a Pressare (non skive)



Part number	Hose I.D.		Dimensions		Skive Length
			D	L	
	in	mm			
X0008-03	3/16	4.8	13	27	NO
X0008-04	1/4	6.4	17	29	NO
X0008-05	5/16	7.9	19	30	NO
X0008-06	3/8	9.5	21.5	31	NO
X0008-08	1/2	12.7	26	34	NO
X0008-10	5/8	15.9	29	40	NO
X0008-12	3/4	19	32	42	NO
X0008-16	1	25.4	40	50	NO

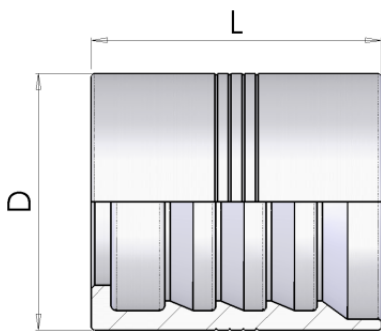
## XPTFE



## Boccola per tubo PTFE

Part number	Hose I.D.		Dimensions		Skive Length
			D	L	
	in	mm			
XPTFE-03	3/16	4.8	9.5	22	NO
XPTFE-04	1/4	6.4	11.1	23.9	NO
XPTFE-05	5/16	7.9	13	24.6	NO
XPTFE-06	3/8	9.5	15	27.4	NO
XPTFE-08	1/2	12.7	18.3	28.7	NO
XPTFE-10	5/8	15.9	23.1	31.7	NO
XPTFE-12	3/4	19	24.8	34.5	NO
XPTFE-16	1	25.4	34.3	43.6	NO

## X0009



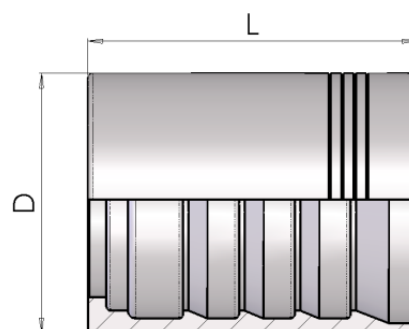
## Boccola a Pressare (skive)

Part number	Hose I.D.		Dimensions		Skive Length
			D	L	
	in	mm			
X0009-04	1/4	6.4	15.3	30	22
X0009-06	3/8	9.5	18.3	33.5	26
X0009-08	1/2	12.7	22	36	28
X0009-10	5/8	15.9	25.7	40	31
X0009-12	3/4	19	29.4	43	34
X0009-16	1	25.4	36.1	60	48
X0009-20	1.1/4	31.8	46.7	66	54
X0009-24	1.1/2	38.1	55.7	76.5	62
X0009-32	2	50.8	68.8	79.8	64



## X004H

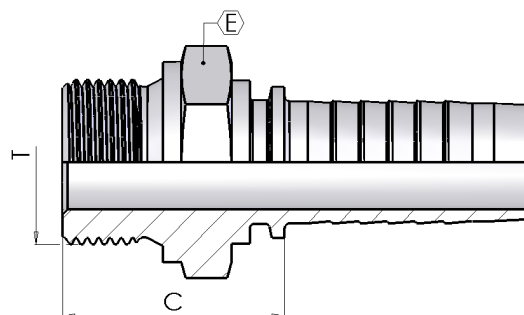
### Boccola a Pressare (skive)



Part number	Hose I.D.		Dimensions		Skive Length
			D	L	
	in	mm			
X004H-20	1.1/4	31.8	43	66	55
X004H-24	1.1/2	38.1	50.4	76.5	63
X004H-32	2	50.8	65.5	79.8	65

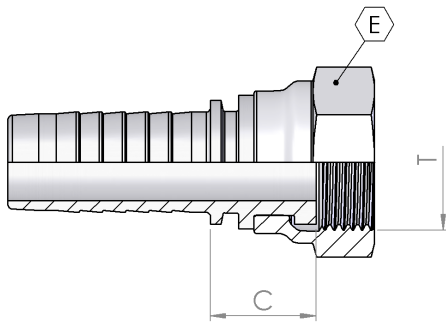
## X0345

### Maschio BSP - Sede Piana



Part number	Hose I.D.		Dimensions			
			dash	Thread	Cut-Off	Hex
			size	T	C	E
X0345-03-02	3/16	4.8	03	1/8-28	21	14
X0345-04-04	1/4	6.4	04	1/4-19	27	19
X0345-04-06	1/4	6.4	04	3/8-19	28	22
X0345-05-06	5/16	7.9	05	3/8-19	28	22
X0345-06-06	3/8	9.5	06	3/8-19	29	22
X0345-06-08	3/8	9.5	06	1/2-14	32	27
X0345-08-08	1/2	12.7	08	1/2-14	33	27
X0345-08-10	1/2	12.7	08	5/8-14	35	30
X0345-08-12	1/2	12.7	08	3/4-14	35	32
X0345-10-10	5/8	15.9	10	5/8-14	35	30
X0345-10-12	5/8	15.9	10	3/4-14	35	32
X0345-12-12	3/4	19	12	3/4-14	36	32
X0345-12-16	3/4	19	12	1-11	39	41
X0345-16-16	1	25.4	16	1-11	40	41

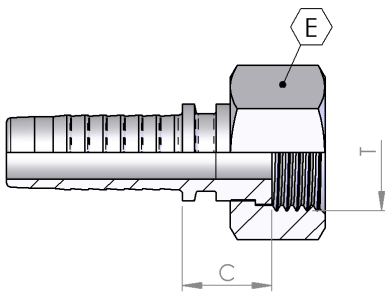
## X0061



### Femmina BSP Sede Piana

Part number	Hose I.D.		Dimensions			
			dash	Thread	Cut-Off	Hex
	in	mm	size	T	C	E
X0061-08-12	1/2	12.7	08	3/4-14	23	32
X0061-10-10	5/8	15.9	10	5/8-14	16	30
X0061-10-12	5/8	15.9	10	3/4-14	20	32
X0061-12-12	3/4	19	12	3/4-14	21	32
X0061-12-16	3/4	19	12	1-11	23	38
X0061-16-16	1	25.4	16	1-11	22	38
X0061-24-24	1.1/2	38.1	24	1.1/2-11	27	55

## X0062

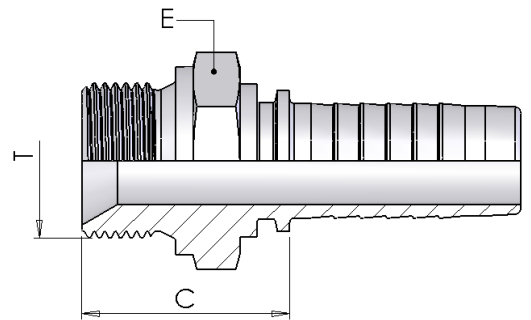


### Femmina BSP Sede Piana - Dado Libero

Part number	Hose I.D.		Dimensions			
			dash	Thread	Cut-Off	Hex
	in	mm	size	T	C	E
X0062-04-04	1/4	6.4	04	1/4-19	14	19
X0062-04-06	1/4	6.4	04	3/8-19	15	22
X0062-05-06	5/16	7.9	05	3/8-19	15	22
X0062-06-06	3/8	9.5	06	3/8-19	15	22
X0062-06-08	3/8	9.5	06	1/2-14	16	27
X0062-08-08	1/2	12.7	08	1/2-14	16	27

# X0350

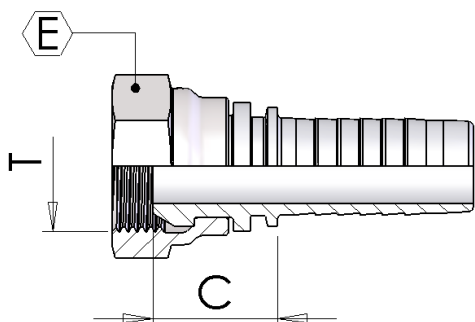
## Maschio BSP svas. 60°



Part number	Hose I.D.		Dimensions			
			dash	Thread	Cut-Off	Hex
	in	mm	size	T	C	E
X0350-03-02	3/16	4.8	03	1/8-28	21	14
X0350-03-04	3/16	4.8	03	1/4-19	26	19
X0350-04-02	1/4	6.4	04	1/8-28	21	14
X0350-04-04	1/4	6.4	04	1/4-19	27	19
X0350-04-06	1/4	6.4	04	3/8-19	28	22
X0350-04-08	1/4	6.4	04	1/2-14	35	27
X0350-05-04	5/16	7.9	05	1/4-19	27	19
X0350-05-06	5/16	7.9	05	3/8-19	28	22
X0350-05-08	5/16	7.9	05	1/2-14	32	27
X0350-06-04	3/8	9.5	06	1/4-19	27	19
X0350-06-06	3/8	9.5	06	3/8-19	29	22
X0350-06-08	3/8	9.5	06	1/2-14	32	27
X0350-08-06	1/2	12.7	08	3/8-19	29	22
X0350-08-08	1/2	12.7	08	1/2-14	33	27
X0350-08-10	1/2	12.7	08	5/8-14	34	30
X0350-08-12	1/2	12.7	08	3/4-14	35	32
X0350-10-08	5/8	15.9	10	1/2-14	33	27
X0350-10-10	5/8	15.9	10	5/8-14	35	30
X0350-10-12	5/8	15.9	10	3/4-14	35	32
X0350-12-12	3/4	19	12	3/4-14	36	32
X0350-12-16	3/4	19	12	1-11	39	41
X0350-16-16	1	25.4	16	1-11	40	41
X0350-16-20	1	25.4	16	1.1/4-11	44	50
X0350-20-16	1.1/4	31.8	20	1-11	41	41
X0350-20-20	1.1/4	31.8	20	1.1/4-11	45	50
X0350-20-24	1.1/4	31.8	20	1.1/2-11	46	55
X0350-24-24	1.1/2	38.1	24	1.1/2-11	46	55
X0350-24-32	1.1/2	38.1	24	2-11	54	70
X0350-32-24	2	50.8	32	1.1/2-11	50	65
X0350-32-32	2	50.8	32	2-11	54	70

# X0051

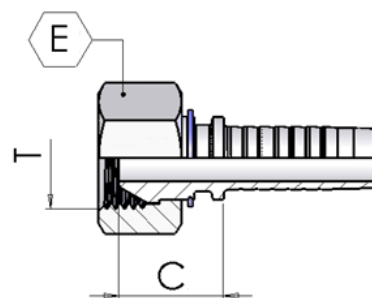
## Femmina BSP Cono 60° - Dado Crimpato



Part number	Hose I.D.		Dimensions			
			dash	Thread	Cut-Off	Hex
	in	mm	size	T	C	E
X0051-03-02	3/16	4.8	03	1/8-28	15	14
X0051-04-02	1/4	6.4	04	1/8-28	15	14
X0051-04-08	1/4	6.4	04	1/2-14	22	27
X0051-05-04	5/16	7.9	05	1/4-19	17	19
X0051-06-04	3/8	9.5	06	1/4-19	17	19
X0051-08-06	1/2	12.7	08	3/8-19	20	22
X0051-08-10	1/2	12.7	08	5/8-14	20	30
X0051-08-12	1/2	12.7	08	3/4-14	27	32
X0051-10-08	5/8	15.9	10	1/2-14	23	27
X0051-10-10	5/8	15.9	10	5/8-14	20	30
X0051-10-12	5/8	15.9	10	3/4-14	25	32
X0051-12-08	3/4	19	12	1/2-14	24	27
X0051-12-12	3/4	19	12	3/4-14	25	32
X0051-12-16	3/4	19	12	1-11	26	38
X0051-16-12	1	25.4	16	3/4-14	27	32
X0051-16-16	1	25.4	16	1-11	27	38
X0051-20-20	1.1/4	31.8	20	1.1/4-11	33	50
X0051-24-24	1.1/2	38.1	24	1.1/2-11	33	70
X0051-32-32	2	50.8	32	2-11	54	70

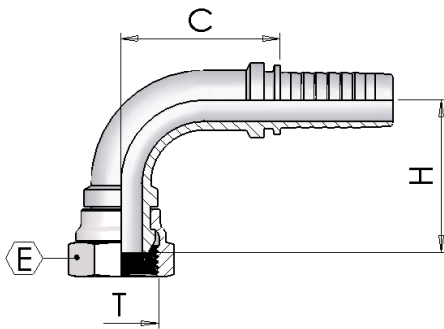
## X0052

## Femmina BSP Cono 60° - Dado Libero



Part number	Hose I.D.		Dimensions			
			dash	Thread	Cut-Off	Hex
	in	mm	size	T	C	E
X0052-03-04	3/16	4.8	03	1/4-19	17	19
X0052-04-04	1/4	6.4	04	1/4-19	17	19
X0052-04-06	1/4	6.4	04	3/8-19	19	22
X0052-05-06	5/16	7.9	05	3/8-19	19	22
X0052-05-08	5/16	7.9	05	1/2-14	22	27
X0052-06-06	3/8	9.5	06	3/8-19	17	22
X0052-06-08	3/8	9.5	06	1/2-14	22	27
X0052-08-08	1/2	12.7	08	1/2-14	21	27

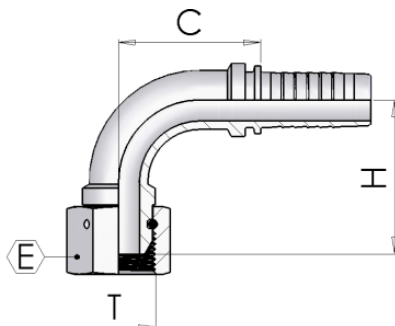
## X0151



**Curva BSP 90° Cono 60°  
- Dado Crimpato**

Part number	Hose I.D.		Dimensions				
			dash size	Thread T	Cut-Off C	Hex E	Drop H
X0151-03-02	3/16	4,8	03	1/8-28	22	14	23
X0151-04-02	1/4	6.4	04	1/8-28	25	14	25
X0151-05-04	5/16	7.9	05	1/4-19	31	19	31
X0151-06-04	3/8	9.5	06	1/4-19	31	19	33
X0151-08-06	1/2	12.7	08	3/8-19	39	22	42
X0151-08-10	1/2	12.7	08	5/8-14	40	30	41
X0151-08-12	1/2	12.7	08	3/4-14	41	32	46
X0151-10-10	5/8	15.9	10	5/8-14	43	30	43
X0151-10-12	5/8	15.9	10	3/4-14	45	32	50
X0151-12-12	3/4	19	12	3/4-14	58	32	57
X0151-12-16	3/4	19	12	1-11	56	38	60
X0151-16-16	1	25.4	16	1-11	70	38	67

## X0150

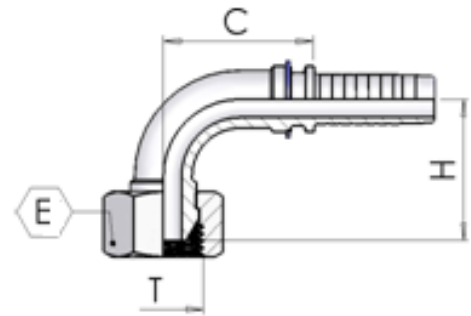


**Curva BSP 90° cono 60°  
- Dado Spinato**

Part number	Hose I.D.		Dimensions				
			dash size	Thread T	Cut-Off C	Hex E	Drop H
X0150-20-20	1.1/4	31.8	20	1.1/4-11	86	50	81
X0150-24-24	1.1/2	38.1	24	1.1/2-11	103	55	95
X0150-32-32	2	50.8	32	2-11	122	70	135

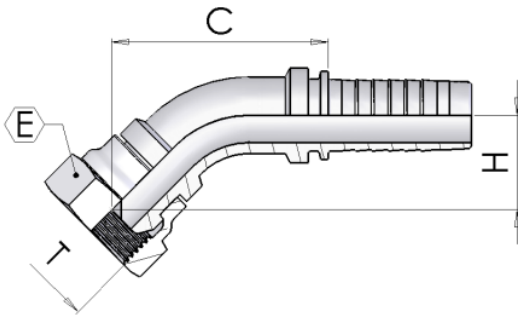
## X0152

**Curva BSP 90° Cono 60°**  
**- Dado Libero**



Part number	Hose I.D.		Dimensions				
			dash size	Thread T	Cut-Off C	Hex E	Drop H
X0152-03-04	3/16	4.8	03	1/4-19	22	19	22
X0152-04-04	1/4	6.4	04	1/4-19	25	17	27
X0152-04-06	1/4	6.4	04	3/8-19	27	22	25
X0152-05-06	5/16	7.9	05	3/8-19	29	22	35
X0152-06-06	3/8	9.5	06	3/8-19	42	22	31
X0152-06-08	3/8	9.5	06	1/2-14	31	27	40
X0152-08-08	1/2	12.7	08	1/2-14	42	27	41

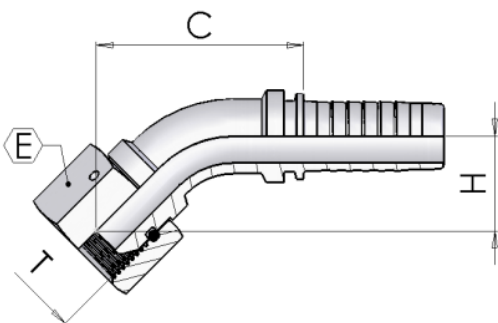
## X0251



**Curva 45° BSP Cono 60°  
- Dado Crimpato**

Part number	Hose I.D.		Dimensions				
			dash size	Thread T	Cut-Off C	Hex E	Drop H
X0251-03-02	3/16	4.8	03	1/8-28	33	14	15
X0251-04-02	1/4	6.4	04	1/8-28	40	14	14
X0251-05-04	5/16	7.9	05	1/4-19	47	19	16
X0251-06-04	3/8	9.5	06	1/4-19	50	19	16
X0251-08-06	1/2	12.7	08	3/8-19	63	22	22
X0251-08-10	1/2	12.7	08	5/8-14	64	30	21
X0251-08-12	1/2	12.7	08	3/4-14	67	32	26
X0251-10-08	5/8	15.9	10	1/2-14	68	27	24
X0251-10-10	5/8	15.9	10	5/8-14	68	30	23
X0251-10-12	5/8	15.9	10	3/4-14	72	32	27
X0251-12-12	3/4	19	12	3/4-14	86	32	30
X0251-12-16	3/4	19	12	1-11	88	38	32
X0251-16-16	1	25.4	16	1-11	107	38	35

## X0250



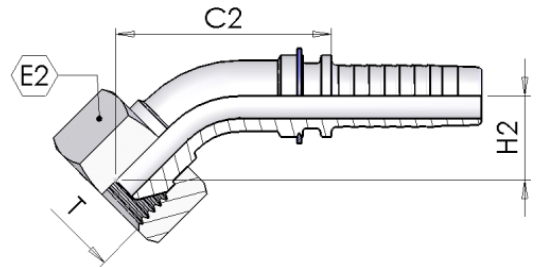
**Curva 45° BSP cono 60° Dado -  
Spinato con O-Ring**

Part number	Hose I.D.		Dimensions				
			dash size	Thread T	Cut-Off C	Hex E	Drop H
X0250-20-20	1.1/4	31.8	20	1.1/4-11	107	50	40
X0250-24-24	1.1/2	38.1	24	1.1/2-11	117	55	47
X0250-32-32	2	50.8	32	2-11	142	70	65



# X0252

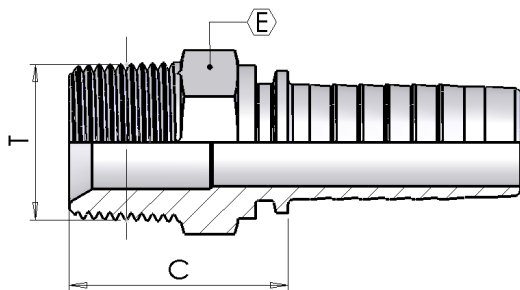
## Curva 45° BSP Cono 60° - Dado Libero



Part number	Hose I.D.		Dimensions				
			dash	Thread	Cut-Off	Hex	Drop
	in	mm	size	T	C	E	H
X0252-03-04	3/16	4.8	03	1/4-19	35	19	15
X0252-04-04	1/4	6.4	04	1/4-19	41	19	15
X0252-04-06	1/4	6.4	04	3/8-19	44	22	18
X0252-05-06	5/16	7.9	05	3/8-19	51	22	19
X0252-06-06	3/8	9.5	06	3/8-19	49	22	15
X0252-06-08	3/8	9.5	06	1/2-14	55	27	21
X0252-08-08	1/2	12.7	08	1/2-14	61	27	19

# X0360

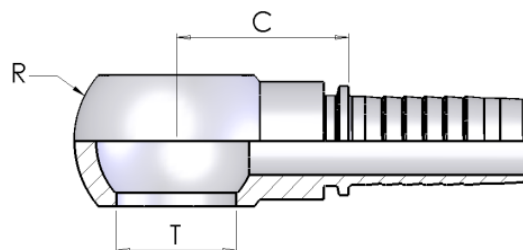
## Maschio BSPT svas. 60°



Part number	Hose I.D.		Dimensions			
			dash	Thread	Cut-Off	Hex
	in	mm	size	T	C	E
X0360-03-02	3/16	4.8	03	1/8-28	21	12
X0360-03-04	3/16	4.8	03	1/4-19	27	15
X0360-04-02	1/4	6.4	04	1/8-28	22	12
X0360-04-04	1/4	6.4	04	1/4-19	28	15
X0360-04-06	1/4	6.4	04	3/8-19	28	19
X0360-05-04	5/16	7.9	05	1/4-19	28	15
X0360-05-06	5/16	7.9	05	3/8-19	28	19
X0360-06-04	3/8	9.5	06	1/4-19	28	17
X0360-06-06	3/8	9.5	06	3/8-19	28	19
X0360-06-08	3/8	9.5	06	1/2-14	33	22
X0360-08-06	1/2	12.7	08	3/8-19	29	19
X0360-08-08	1/2	12.7	08	1/2-14	34	22
X0360-08-12	1/2	12.7	08	3/4-14	36	27
X0360-10-08	5/8	15.9	10	1/2-14	34	22
X0360-10-10	5/8	15.9	10	5/8-14	35	24
X0360-10-12	5/8	15.9	10	3/4-14	36	27
X0360-12-12	3/4	19	12	3/4-14	37	27
X0360-12-16	3/4	19	12	1-11	43	36
X0360-16-16	1	25.4	16	1-11	44	36
X0360-16-20	1	25.4	16	1.1/4-11	46	46
X0360-20-20	1.1/4	31.8	20	1.1/4-11	47	46
X0360-20-24	1.1/4	31.8	20	1.1/2-11	49	50
X0360-24-24	1.1/2	38.1	24	1.1/2-11	49	50
X0360-24-32	1.1/2	38.1	24	2-11	55	65
X0360-32-32	2	50.8	32	2-11	55	65

## X1400

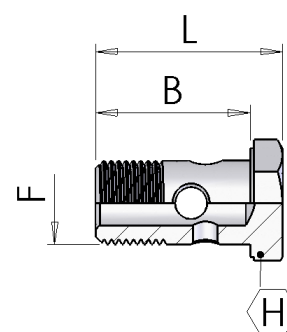
### Occhio a Pressare BSP



Part number	Hose I.D.		Dimensions			
			dash		Cut-Off	
	in	mm	size	mm	C	R
X1400-04-04	1/4	6.4	04	13.3	26	24
X1400-04-06	1/4	6.4	04	17	26	28
X1400-05-06	5/16	7.9	05	17	26	28
X1400-06-06	3/8	9.5	06	17	26	28
X1400-06-08	3/8	9.5	06	21.2	31	36
X1400-08-08	1/2	12.7	08	21.2	31	36
X1400-12-12	3/4	19	12	26.5	38	45
X1400-16-16	1	25.4	16	33.5	50	58

## X1600-00

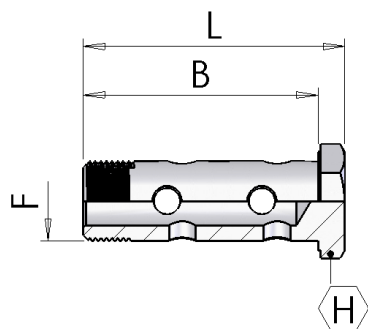
### Bullone forato Gas



Part number	Dimensions			
				Drop
	B	F	L	H
X1600-00-02	19	1/8"-28	24	14
X1600-00-04	29	1/4"-19	34	19
X1600-00-06	33	3/8"-19	41	22
X1600-00-08	38	1/2"-14	46	27
X1600-00-12	47	3/4"-14	56	32
X1600-00-16	58	1"-11	69	41

# X1600

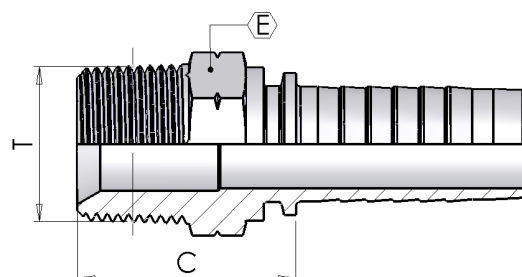
## Bullone forato Gas Doppio



Part number	Dimensions			
	B	F	L	Drop
X1600-04-04	43	1/4"-19	49	19
X1600-06-06	49	3/8"-19	57	22
X1600-08-08	62	1/2"-14	70	27
X1600-12-12	78	3/4"-14	87	32
X1600-16-16	98	1"-11	109	41

## X0370

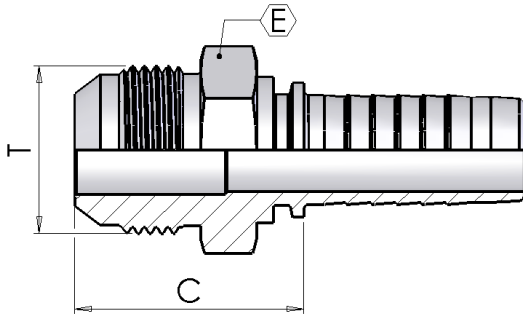
## Maschio NPTF svas. 60°



Part number	Hose I.D.		Dimensions			
			dash	Thread	Cut-Off	Hex
	in	mm	size	T	C	E
X0370-03-02	3/16	4.8	03	1/8-27	22	12
X0370-03-04	3/16	4.8	03	1/4-18	27	15
X0370-04-02	1/4	6.4	04	1/8-27	22	12
X0370-04-04	1/4	6.4	04	1/4-18	28	15
X0370-04-06	1/4	6.4	04	3/8-18	28	19
X0370-05-04	5/16	7.9	05	1/4-18	28	15
X0370-05-06	5/16	7.9	05	3/8-18	28	19
X0370-05-08	5/16	7.9	05	1/2-14	34	22
X0370-06-04	3/8	9.5	06	1/4-18	28	17
X0370-06-06	3/8	9.5	06	3/8-18	28	19
X0370-06-08	3/8	9.5	06	1/2-14	34	22
X0370-08-06	1/2	12.7	08	3/8-18	29	19
X0370-08-08	1/2	12.7	08	1/2-14	35	22
X0370-08-12	1/2	12.7	08	3/4-14	36	27
X0370-10-08	5/8	15.9	10	1/2-14	35	24
X0370-10-12	5/8	15.9	10	3/4-14	36	27
X0370-12-08	3/4	19	12	1/2-14	36	24
X0370-12-12	3/4	19	12	3/4-14	37	27
X0370-12-16	3/4	19	12	1-11.1/2	43	36
X0370-16-16	1	25.4	16	1-11.1/2	44	36
X0370-16-20	1	25.4	16	1.1/4-11.1/2	46	46
X0370-20-16	1.1/4	31.8	20	1-11.1/2	45	41
X0370-20-20	1.1/4	31.8	20	1.1/4-11.1/2	47	46
X0370-24-24	1.1/2	38.1	24	1.1/2-11.1/2	49	50
X0370-32-32	2	50.8	32	2-11.1/2	55	65

# X0850

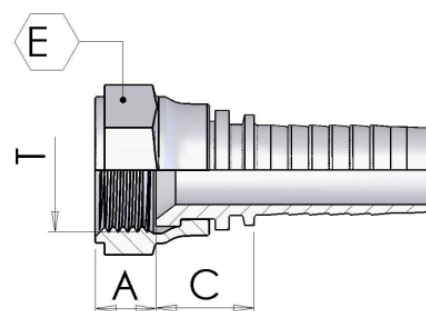
## Maschio JIC Cono 74°



Part number	Hose I.D.		Dimensions			
			dash	Thread	Cut-Off	Hex
	in	mm	size	T	C	E
X0850-03-04	3/16	4.8	03	7/16-20	26	12
X0850-04-04	1/4	6.4	04	7/16-20	27	12
X0850-04-05	1/4	6.4	04	1/2-20	27	14
X0850-04-06	1/4	6.4	04	9/16-18	27	15
X0850-05-05	5/16	7.9	05	1/2-20	27	14
X0850-05-06	5/16	7.9	05	9/16-18	27	15
X0850-05-08	5/16	7.9	05	3/4-16	30	19
X0850-06-06	3/8	9.5	06	9/16-18	27	15
X0850-06-07	3/8	9.5	06	5/8-18	30	17
X0850-06-08	3/8	9.5	06	3/4-16	30	19
X0850-06-10	3/8	9.5	06	7/8-14	34	24
X0850-08-06	1/2	12.7	08	9/16-18	28	19
X0850-08-08	1/2	12.7	08	3/4-16	31	19
X0850-08-10	1/2	12.7	08	7/8-14	35	24
X0850-08-12	1/2	12.7	08	1.1/16-12	37	27
X0850-10-10	5/8	15.9	10	7/8-14	35	24
X0850-10-12	5/8	15.9	10	1.1/16-12	37	27
X0850-12-10	3/4	19	12	7/8-14	36	24
X0850-12-12	3/4	19	12	1.1/16-12	38	27
X0850-12-14	3/4	19	12	1.3/16-12	41	32
X0850-12-16	3/4	19	12	1.5/16-12	42	34
X0850-12-20	3/4	19	12	1.5/8-12	45	42
X0850-16-12	1	25.4	16	1.1/16-12	39	27
X0850-16-14	1	25.4	16	1.3/16-12	42	32
X0850-16-16	1	25.4	16	1.5/16-12	43	34
X0850-16-20	1	25.4	16	1.5/8-12	46	42
X0850-20-20	1.1/4	31.8	20	1.5/8-12	47	42
X0850-20-24	1.1/4	31.8	20	1.7/8-12	52	50
X0850-24-24	1.1/2	38.1	24	1.7/8-12	52	50
X0850-32-32	2	50.8	32	2.1/2-12	62	65

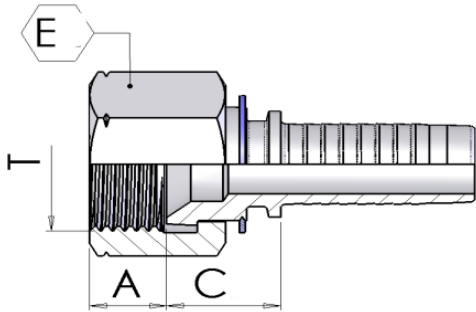
## X0901

## Femmina JIC svas. 74° Dado Crimpato



Part number	Hose I.D.		Dimensions				
			dash	Thread	Cut-Off		Hex
	in	mm	size	T	C	A	E
X0901-03-04	3/16	4.8	03	7/16-20	14	9	15
X0901-04-04	1/4	6.4	04	7/16-20	14	9	15
X0901-04-07	1/4	6.4	04	5/8-18	17	11	22
X0901-05-05	5/16	7.9	05	1/2-20	15	10	17
X0901-05-07	5/16	7.9	05	5/8-18	17	9	22
X0901-06-04	3/8	9.5	06	7/16-20	15	9	15
X0901-06-05	3/8	9.5	06	1/2-20	15	10	17
X0901-06-06	3/8	9.5	06	9/16-18	16	9	19
X0901-06-07	3/8	9.5	06	5/8-18	16	11	22
X0901-08-08	1/2	12.7	08	3/4-16	18	11	24
X0901-10-10	5/8	15.9	10	7/8-14	19	13	27
X0901-12-10	3/4	19	12	7/8-14	20	13	27
X0901-12-12	3/4	19	12	1.1/16-12	22	14	32
X0901-12-14	3/4	19	12	1.3/16-12	23	14	36
X0901-12-16	3/4	19	12	1.5/16-12	21	16	38
X0901-16-12	1	25.4	16	1.1/16-12	23	14	32
X0901-16-16	1	25.4	16	1.5/16-12	24	16	38

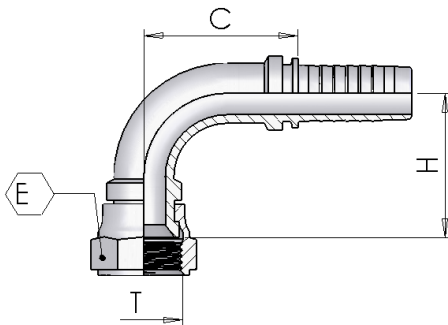
## X0902



**Femmina JIC svas. 74°  
- Dado Libero**

Part number	Hose I.D.		Dimensions				
			dash	Thread	Cut-Off		Hex
	in	mm	size	T	C	A	E
X0902-04-05	1/4	6.4	04	1/2-20	17	10	17
X0902-04-06	1/4	6.4	04	9/16-18	17	9	19
X0902-05-06	5/16	7.9	05	9/16-18	16	9	19
X0902-06-08	3/8	9.5	06	3/4-16	18	11	22
X0902-08-10	1/2	12.7	08	7/8-14	20	13	27
X0902-10-12	5/8	15.9	10	1.1/16-12	20	14	32

## X0951



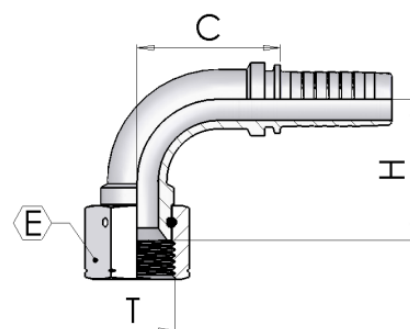
**Curva JIC 90° svas. 74°  
- Dado Crimpato**

Part number	Hose I.D.		Dimensions				
			dash	Thread	Cut-Off	Hex	Drop
	in	mm	size	T	C	E	H
X0951-03-04	3/16	4.8	03	7/16-20	22	15	22
X0951-04-04	1/4	6.4	04	7/16-20	25	15	24
X0951-05-05	5/16	7.9	05	1/2-20	29	17	30
X0951-06-05	3/8	9.5	06	1/2-20	33	17	30
X0951-06-06	3/8	9.5	06	9/16-18	31	19	32
X0951-08-08	1/2	12.7	08	3/4-16	41	24	41
X0951-10-10	5/8	15.9	10	7/8-14	43	27	44
X0951-12-16	3/4	19	12	1.5/16-12	56	38	57
X0951-16-16	1	25.4	16	1.5/16-12	70	38	65



## X0950

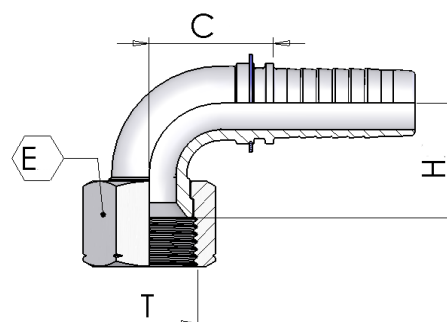
Curva JIC 90° svas. 74°  
- Dado Spinato



Part number	Hose I.D.		Dimensions				
			dash size	Thread T	Cut-Off C	Hex E	Drop H
X0950-20-20	1.1/4	31.8	20	1.5/8-12	87	50	83
X0950-24-24	1.1/2	38.1	24	1.7/8-12	102	55	97
X0950-32-32	2	50.8	32	2.1/2-12	121	70	134

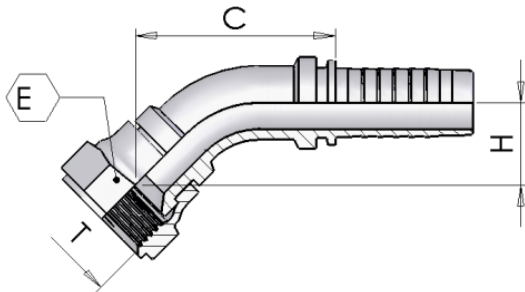
## X0952

Curva JIC 90° svas. 74°  
- Dado Libero



Part number	Hose I.D.		Dimensions				
			dash size	Thread T	Cut-Off C	Hex E	Drop H
X0952-04-05	1/4	6.4	04	1/2-20	27	17	21
X0952-04-06	1/4	6.4	04	9/16-18	26	19	21
X0952-05-06	5/16	7.9	05	9/16-18	25	19	32
X0952-06-08	3/8	9.5	06	3/4-16	35	22	26
X0952-06-10	3/8	9.5	06	7/8-14	33	27	36
X0952-08-10	1/2	12.7	08	7/8-14	40	27	32
X0952-08-12	1/2	12.7	08	1.1/16-12	39	32	43
X0952-10-12	5/8	15.9	10	1.1/16-12	47	32	37
X0952-12-12	3/4	19	12	1.1/16-12	58	32	45

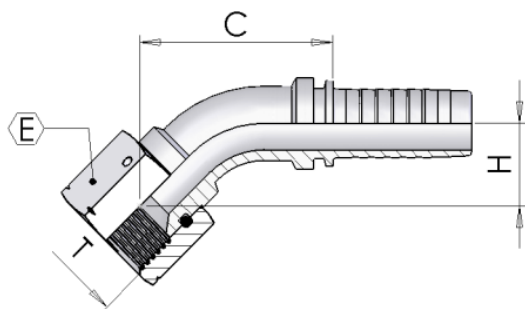
## X1001



**Curva JIC 45° svas. 74°  
- Dado Crimpato**

Part number	Hose I.D.		Dimensions				
			dash	Thread	Cut-Off	Hex	Drop
	in	mm	size	T	C	E	H
X1001-03-04	3/16	4.8	03	7/16-20	33	15	15
X1001-04-04	1/4	6.4	04	7/16-20	38	15	13
X1001-05-05	5/16	7.9	05	1/2-20	46	17	17
X1001-06-05	3/8	9.5	06	1/2-20	49	17	16
X1001-06-06	3/8	9.5	06	9/16-18	51	19	17
X1001-08-08	1/2	12.7	08	3/4-16	62	24	22
X1001-10-10	5/8	15.9	10	7/8-14	68	27	24
X1001-12-16	3/4	19	12	1.5/16-12	86	38	30
X1001-16-16	1	25.4	16	1.5/16-12	104	38	33

## X1000

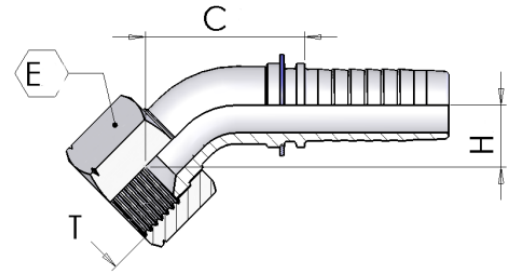


**Curva JIC 45° svas. 74°  
- Dado Spinato**

Part number	Hose I.D.		Dimensions				
			dash	Thread	Cut-Off	Hex	Drop
	in	mm	size	T	C	E	H
X1000-20-20	1.1/4	31,8	20	1.5/8-12	108	50	40
X1000-24-24	1.1/2	38,1	24	1.7/8-12	119	55	49
X1000-32-32	2	50,8	32	2.1/2-12	142	70	65

## X1002

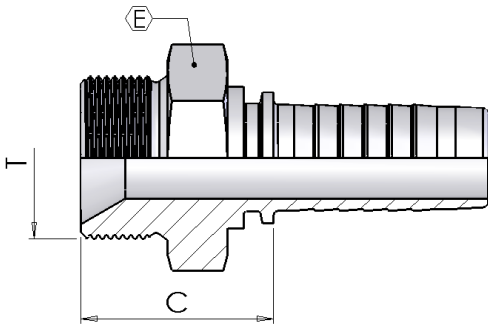
Curva JIC 45° svas. 74°  
- Dado Libero



Part number	Hose I.D.		Dimensions				
			dash	Thread	Cut-Off	Hex	Drop
	in	mm	size	T	C	E	H
X1002-04-05	1/4	6.4	04	1/2-20	38	17	11
X1002-04-06	1/4	6.4	04	9/16-18	38	19	11
X1002-05-06	5/16	7.9	05	9/16-18	49	19	20
X1002-06-08	3/8	9.5	06	3/4-16	48	22	13
X1002-06-10	3/8	9.5	06	7/8-14	54	27	21
X1002-08-10	1/2	12.7	08	7/8-14	58	27	16
X1002-08-12	1/2	12.7	08	1.1/16-12	68	32	25
X1002-10-12	5/8	15.9	10	1.1/16-12	66	32	18
X1002-12-12	3/4	19	12	1.1/16-12	81	32	21

# X0400

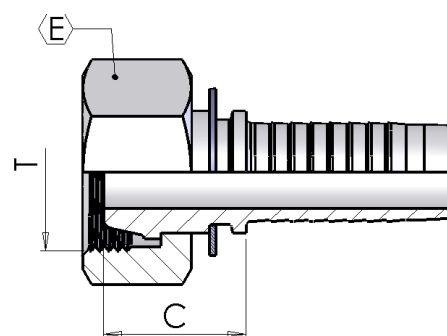
## Maschio Metrico Svas.60°



Part number	Hose I.D.		Dimensions			
			dash	Thread	Cut-Off	Hex
	in	mm	size	T	C	E
X0400-03-10	3/16	4.8	03	M10-1	19	14
X0400-03-12	3/16	4.8	03	M12-1.5	25	17
X0400-04-10	1/4	6.4	04	M10-1	20	14
X0400-04-12	1/4	6.4	04	M12-1.5	26	17
X0400-04-14	1/4	6.4	04	M14-1.5	26	19
X0400-04-16	1/4	6.4	04	M16-1.5	26	22
X0400-05-12	5/16	7.9	05	M12-1.5	26	17
X0400-05-16	5/16	7.9	05	M16-1.5	26	22
X0400-05-18	5/16	7.9	05	M18-1.5	26	24
X0400-06-14	3/8	9.5	06	M14-1.5	26	19
X0400-06-16	3/8	9.5	06	M16-1.5	26	22
X0400-06-18	3/8	9.5	06	M18-1.5	27	24
X0400-06-22	3/8	9.5	06	M22-1.5	27	27
X0400-08-18	1/2	12.7	08	M18-1.5	28	24
X0400-08-22	1/2	12.7	08	M22-1.5	30	27
X0400-10-26	5/8	15.9	10	M26-1.5	32	32
X0400-12-26	3/4	19	12	M26-1.5	33	32
X0400-12-30	3/4	19	12	M30-1.5	36	36
X0400-16-38	1	25.4	16	M38-1.5	37	46
X0400-20-45	1.1/4	31.8	20	M45-1.5	39	55

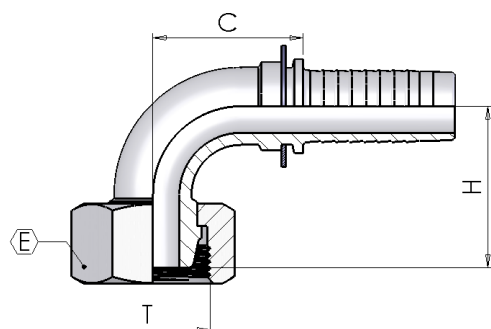
## X0035

## Femmina Metrica Cono 24° - Serie Leggera Multiseal



Part number	Hose I.D.		Dimensions				
			dash	Thread		Cut-Off	Hex
	in	mm	size	T	Erm	C	E
X0035-03-12	3/16	4.8	03	M12-1.5	6	19	14
X0035-03-16	3/16	4.8	03	M16-1.5	10	18	19
X0035-04-14	1/4	6.4	04	M14-1.5	8	19	17
X0035-04-16	1/4	6.4	04	M16-1.5	10	19	19
X0035-05-16	5/16	7.9	05	M16-1.5	10	19	19
X0035-05-18	5/16	7.9	05	M18-1.5	12	21	22
X0035-06-18	3/8	9.5	06	M18-1.5	12	23	22
X0035-06-22	3/8	9.5	06	M22-1.5	15	22	27
X0035-08-22	1/2	12.7	08	M22-1.5	15	22	27
X0035-08-26	1/2	12.7	08	M26-1.5	18	24	32
X0035-10-26	5/8	15.9	10	M26-1.5	18	24	32

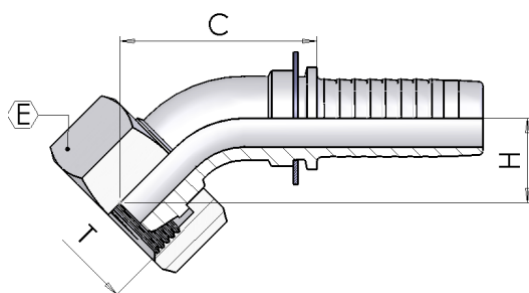
## X0135



### Curva Metrica 90° Cono 24° - Serie Leggera Multiseal

Part number	Hose I.D.		Dimensions					
			dash	Thread	Erm	Cut-Off	Hex	Drop
			size	T		C	E	H
X0135-04-14	1/4	6.4	04	M14-1.5	8	25	17	25
X0135-04-16	1/4	6.4	04	M16-1.5	10	26	19	24
X0135-05-16	5/16	7.9	05	M16-1.5	10	32	19	29
X0135-05-18	5/16	7.9	05	M18-1.5	12	31	22	30
X0135-06-18	3/8	9.5	06	M18-1.5	12	32	22	33
X0135-06-22	3/8	9.5	06	M22-1.5	15	33	27	34
X0135-08-22	1/2	12.7	08	M22-1.5	15	41	27	38
X0135-10-26	5/8	15.9	10	M26-1.5	18	46	32	42

## X0235

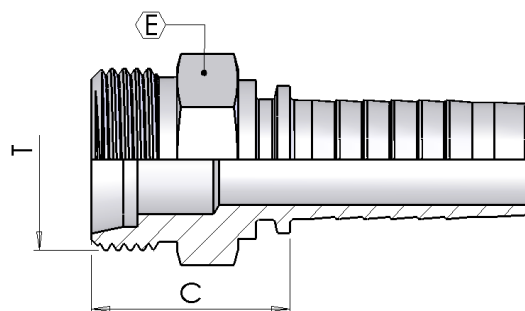


### Curva Metrica 45° Cono 24° - Serie Leggera Multiseal

Part number	Hose I.D.		Dimensions					
			dash	Thread	Erm	Cut-Off	Hex	Drop
			size	T		C	E	H
X0235-04-14	1/4	6.4	04	M14-1.5	8	40	17	14
X0235-04-16	1/4	6.4	04	M16-1.5	10	37	19	16
X0235-05-16	5/16	7.9	05	M16-1.5	10	47	19	14
X0235-05-18	5/16	7.9	05	M18-1.5	12	49	22	16
X0235-06-18	3/8	9.5	06	M18-1.5	12	50	22	16
X0235-08-22	1/2	12.7	08	M22-1.5	15	61	27	21

## X0500

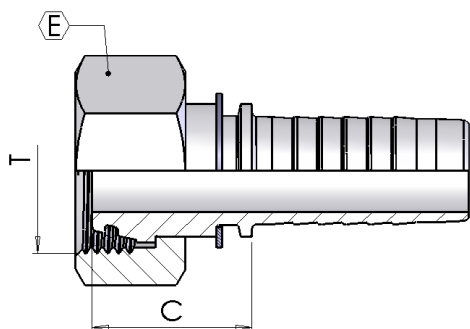
## Maschio Metrico svas. 24° - Serie Leggera



Part number	Hose I.D.		Dimensions				
			dash	Thread		Cut-Off	Hex
	in	mm	size	T	Erm	C	E
X0500-03-12	3/16	4.8	03	M12-1.5	6	22	14
X0500-04-12	1/4	6.4	04	M12-1.5	6	23	14
X0500-04-14	1/4	6.4	04	M14-1.5	8	22	14
X0500-04-16	1/4	6.4	04	M16-1.5	10	23	17
X0500-04-18	1/4	6.4	04	M18-1.5	12	24	19
X0500-05-14	5/16	7.9	05	M14-1.5	8	22	14
X0500-05-16	5/16	7.9	05	M16-1.5	10	23	17
X0500-05-18	5/16	7.9	05	M18-1.5	12	24	19
X0500-05-22	5/16	7.9	05	M22-1.5	15	25	22
X0500-06-16	3/8	9.5	06	M16-1.5	10	23	17
X0500-06-18	3/8	9.5	06	M18-1.5	12	24	19
X0500-06-22	3/8	9.5	06	M22-1.5	15	25	22
X0500-08-18	1/2	12.7	08	M18-1.5	12	25	19
X0500-08-22	1/2	12.7	08	M22-1.5	15	26	22
X0500-08-26	1/2	12.7	08	M26-1.5	18	27	27
X0500-10-22	5/8	15.9	10	M22-1.5	15	26	22
X0500-10-26	5/8	15.9	10	M26-1.5	18	27	27
X0500-10-30	5/8	15.9	10	M30-2	22	32	30
X0500-12-26	3/4	19	12	M26-1.5	18	28	27
X0500-12-30	3/4	19	12	M30-2	22	33	30
X0500-16-36	1	25.4	16	M36-2	28	32	36
X0500-20-45	1.1/4	31.8	20	M45-2	35	36	46
X0500-24-52	1.1/2	38.1	24	M52-2	42	38	55

# X0085

## Femmina Metrica cono 24° - Serie Leggera

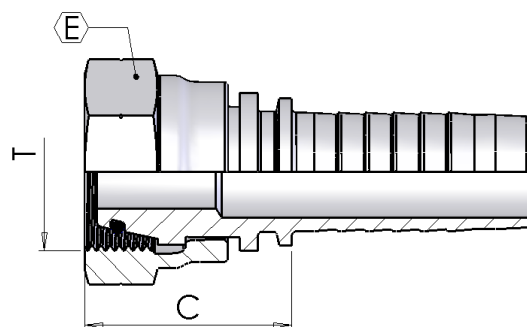


Part number	Hose I.D.		Dimensions				
			dash size	Thread T	Erm	Cut-Off C	Hex E
	in	mm					
X0085-03-12	3/16	4.8	03	M12-1.5	6	23	14
X0085-04-14	1/4	6.4	04	M14-1.5	8	24	17
X0085-04-16	1/4	6.4	04	M16-1.5	10	24	19
X0085-04-18	1/4	6.4	04	M18-1.5	12	25	22
X0085-05-16	5/16	7.9	05	M16-1.5	10	24	19
X0085-05-18	5/16	7.9	05	M18-1.5	12	25	22
X0085-06-18	3/8	9.5	06	M18-1.5	12	25	22
X0085-06-22	3/8	9.5	06	M22-1.5	15	29	27
X0085-08-22	1/2	12.7	08	M22-1.5	15	29	27
X0085-08-26	1/2	12.7	08	M26-1.5	18	29	32
X0085-10-26	5/8	15.9	10	M26-1.5	18	29	32
X0085-10-30	5/8	15.9	12	M30-2	22	29	36
X0085-12-30	3/4	19	12	M30-2	22	29	36
X0085-12-36	3/4	19	12	M36-2	28	28	41
X0085-16-36	1	25.4	16	M36-2	28	30	41
X0085-20-45	1.1/4	31.8	20	M45-2	35	40	50
X0085-24-52	1.1/2	38.1	24	M52-2	42	41	60



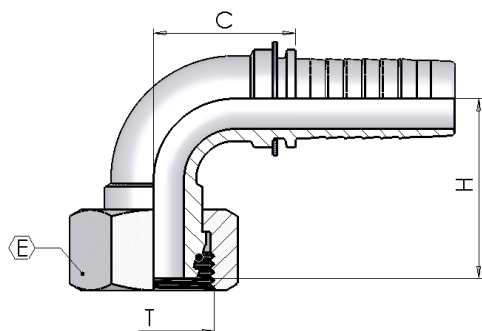
## X0085

## Femmina Metrica cono 24° - Serie Leggera Dado Crimpato



Part number	Hose I.D.		Dimensions				
			dash	Thread		Cut-Off	Hex
	in	mm	size	T	Erm	C	E
X0085-04-12	1/4	6.4	04	M12-1.5	6	25	14
X0085-05-14	5/16	7.9	05	M14-1.5	8	26	19
X0085-06-16	3/8	9.5	06	M16-1.5	10	25	19
X0085-08-18	1/2	12.7	08	M18-1.5	12	28	24
X0085-10-22	5/8	15.9	10	M22-1.5	15	32	27
X0085-12-26	3/4	19	12	M26-1.5	18	36	32

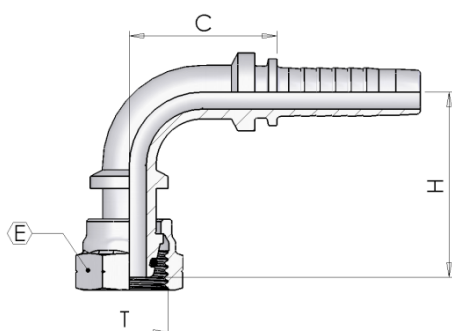
## X0185



### Curva Metrica 90° cono 24° - Serie Leggera

Part number	Hose I.D.		Dimensions					
			dash	Thread		Cut-Off	Hex	Drop
			size	T	Erm	C	E	H
X0185-03-12	3/16	4.8	03	M12-1.5	6	22	14	23
X0185-04-14	1/4	6.4	04	M14-1.5	8	26	17	26
X0185-04-16	1/4	6.4	04	M16-1.5	10	25	19	27
X0185-04-18	1/4	6.4	04	M18-1.5	12	27	22	30
X0185-05-16	5/16	7.9	05	M16-1.5	10	31	19	31
X0185-05-18	5/16	7.9	05	M18-1.5	12	31	22	32
X0185-06-18	3/8	9.5	06	M18-1.5	12	32	22	35
X0185-06-22	3/8	9.5	06	M22-1.5	15	32	27	35
X0185-08-22	1/2	12.7	08	M22-1.5	15	41	27	38
X0185-08-26	1/2	12.7	08	M26-1.5	18	41	32	39
X0185-10-26	5/8	15.9	10	M26-1.5	18	44	32	44
X0185-12-30	3/4	19	12	M30-2	22	58	36	52
X0185-16-36	1	25.4	16	M36-2	28	72	41	62

## X0185

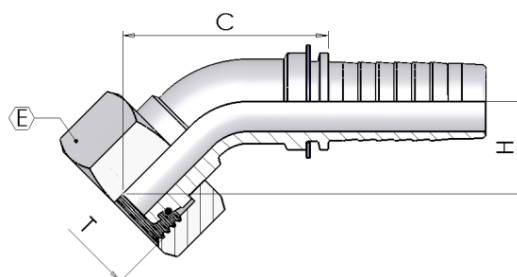


### Curva Metrica 90° Cono 24° - Serie Leggera Dado Crimpato

Part number	Hose I.D.		Dimensions					
			dash	Thread		Cut-Off	Hex	Drop
			size	T	Erm	C	E	H
X0185-04-12	1/4	6.4	04	M12-1.5	6	26	14	34
X0185-05-14	5/16	7.9	05	M14-1.5	8	30	17	38
X0185-06-16	3/8	9.5	06	M16-1.5	10	32	19	39
X0185-10-22	5/8	15.9	08	M22-1.5	15	42	27	55

## X0285

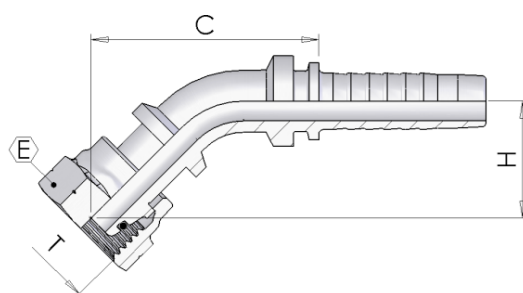
### Curva Metrica 45° cono 24° - Serie Leggera



Part number	Hose I.D.		Dimensions					
			dash size	Thread T	Erm	Cut-Off C	Hex E	Drop H
X0285-03-12	3/16	4.8	03	M12-1.5	6	36	14	14
X0285-04-14	1/4	6.4	04	M14-1.5	8	42	17	14
X0285-04-16	1/4	6.4	04	M16-1.5	10	42	19	15
X0285-04-18	1/4	6.4	04	M18-1.5	12	43	22	16
X0285-05-16	5/16	7.9	05	M16-1.5	10	48	19	17
X0285-05-18	5/16	7.9	05	M18-1.5	12	48	22	18
X0285-06-18	3/8	9.5	06	M18-1.5	12	52	22	19
X0285-06-22	3/8	9.5	06	M22-1.5	15	51	27	19
X0285-08-22	1/2	12.7	08	M22-1.5	15	63	27	21
X0285-10-26	5/8	15.9	10	M26-1.5	18	68	32	23
X0285-12-30	3/4	19	12	M30-2	22	85	36	27
X0285-16-36	1	25.4	16	M36-2	28	102	41	32

## X0285

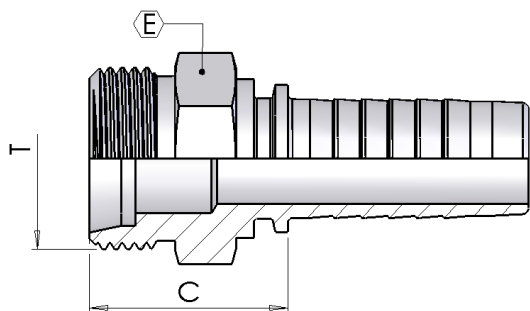
### Curva Metrica 45° Cono 24° - Serie Leggera Dado Crimpato



Part number	Hose I.D.		Dimensions					
			dash size	Thread T	Erm	Cut-Off C	Hex E	Drop H
X0285-04-12	1/4	6.4	04	M12-1.5	6	46	14	20
X0285-06-16	3/8	9.5	06	M16-1.5	10	55	19	22

# X0450

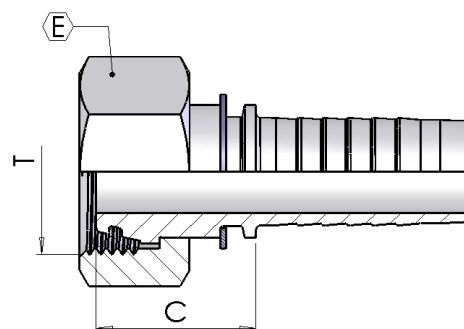
## Maschio Metrico svas. 24° - Serie Pesante



Part number	Hose I.D.		Dimensions				
			dash	Thread		Cut-Off	Hex
	in	mm	size	T	Erm	C	E
X0450-03-16	3/16	4.8	03	M16-1.5	8	26	17
X0450-04-14	1/4	6.4	04	M14-1.5	6	25	14
X0450-04-16	1/4	6.4	04	M16-1.5	8	27	17
X0450-04-18	1/4	6.4	04	M18-1.5	10	27	19
X0450-05-18	5/16	7.9	05	M18-1.5	10	27	19
X0450-05-20	5/16	7.9	05	M20-1.5	12	29	22
X0450-06-18	3/8	9.5	06	M18-1.5	10	27	19
X0450-06-20	3/8	9.5	06	M20-1.5	12	29	22
X0450-06-22	3/8	9.5	06	M22-1.5	14	31	22
X0450-06-24	3/8	9.5	06	M24-1.5	16	31	24
X0450-08-24	1/2	12.7	08	M24-1.5	16	32	24
X0450-10-30	5/8	15.9	10	M30-2	20	34	30
X0450-12-30	3/4	19	12	M30-2	20	35	30
X0450-12-36	3/4	19	12	M36-2	25	38	36
X0450-16-36	1	25.4	16	M36-2	25	39	36
X0450-16-42	1	25.4	16	M42-2	30	42	46
X0450-20-42	1.1/4	31.8	20	M42-2	30	43	46
X0450-20-52	1.1/4	31.8	20	M52-2	38	45	55
X0450-24-52	1.1/2	38.1	24	M52-2	38	45	55

## X0084

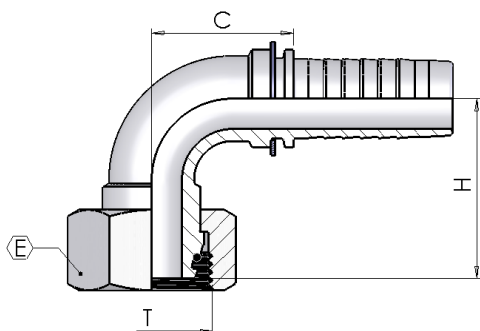
## Femmina Metrica cono 24° - Serie Pesante



Part number	Hose I.D.		Dimensions				
			dash size	Thread T	Erm	Cut-Off C	Hex E
X0084-03-16	3/16	4.8	03	M16-1.5	8	25	19
X0084-04-14	1/4	6.4	04	M14-1.5	6	23	17
X0084-04-16	1/4	6.4	04	M16-1.5	8	25	19
X0084-04-18	1/4	6.4	04	M18-1.5	10	24	22
X0084-05-18	5/16	7.9	05	M18-1.5	10	24	22
X0084-05-20	5/16	7.9	05	M20-1.5	12	26	24
X0084-06-16	3/8	9.5	06	M16-1.5	8	26	19
X0084-06-18	3/8	9.5	06	M18-1.5	10	25	22
X0084-06-20	3/8	9.5	06	M20-1.5	12	25	24
X0084-06-22	3/8	9.5	06	M22-1.5	14	29	27
X0084-08-22	1/2	12.7	08	M22-1.5	14	17	27
X0084-08-24	1/2	12.7	08	M24-1.5	16	30	30
X0084-08-30	1/2	12.7	08	M30-2	20	33	36
X0084-10-24	5/8	15.9	10	M24-1.5	16	31	30
X0084-10-30	5/8	15.9	10	M30-2	20	33	36
X0084-12-30	3/4	19	12	M30-2	20	34	36
X0084-12-36	3/4	19	12	M36-2	25	40	46
X0084-16-36	1	25.4	16	M36-2	25	41	46
X0084-16-42	1	25.4	16	M42-2	30	43	50
X0084-20-52	1.1/4	31.8	20	M52-2	38	44	60
X0084-24-52	1.1/2	38.1	24	M52-2	38	44	60

# X0184

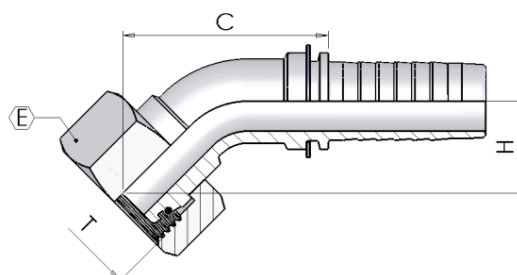
## Curva Metrica 90° cono 24° - Serie Pesante



Part number	Hose I.D.		Dimensions					
			dash	Thread		Cut-Off	Hex	Drop
			size	T	Erm	C	E	H
X0184-03-16	3/16	4.8	03	M16-1.5	8	22	19	25
X0184-04-14	1/4	6.4	04	M14-1.5	6	27	17	26
X0184-04-16	1/4	6.4	04	M16-1.5	8	26	19	26
X0184-04-18	1/4	6.4	04	M18-1.5	10	27	22	31
X0184-04-20	1/4	6.4	04	M20-1.5	12	27	24	30
X0184-05-18	5/16	7.9	05	M18-1.5	10	33	22	33
X0184-05-20	5/16	7.9	05	M20-1.5	12	30	24	34
X0184-06-18	3/8	9.5	06	M18-1.5	10	34	22	35
X0184-06-20	3/8	9.5	06	M20-1.5	12	34	24	34
X0184-06-22	3/8	9.5	06	M22-1.5	14	33	27	33
X0184-08-24	1/2	12.7	08	M24-1.5	16	40	30	41
X0184-10-30	5/8	15.9	10	M30-2	20	46	36	50
X0184-12-30	3/4	19	12	M30-2	20	58	36	56
X0184-12-36	3/4	19	12	M36-2	25	56	46	59
X0184-16-36	1	25.4	16	M36-2	25	69	46	67
X0184-16-42	1	25.4	16	M42-2	30	69	50	67
X0184-20-52	1.1/4	31.8	20	M52-2	38	84	60	82
X0184-24-52	1.1/2	38.1	24	M52-2	38	99	60	94

## X0284

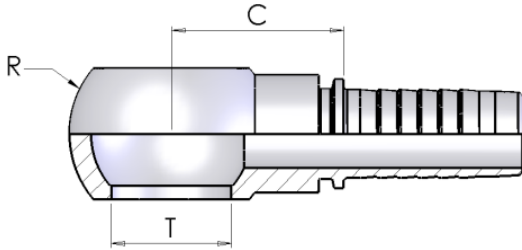
## Curva Metrica 45° cono 24° - Serie Pesante



Part number	Hose I.D.		Dimensions					
			dash size	Thread T	Erm	Cut-Off C	Hex E	Drop H
X0284-03-16	3/16	4.8	03	M16-1.5	8	36	19	16
X0284-04-14	1/4	6.4	04	M14-1.5	6	37	17	15
X0284-04-16	1/4	6.4	04	M16-1.5	8	42	19	15
X0284-04-18	1/4	6.4	04	M18-1.5	10	45	22	18
X0284-05-20	5/16	7.9	05	M20-1.5	12	49	24	19
X0284-06-18	3/8	9.5	06	M18-1.5	10	51	22	19
X0284-06-20	3/8	9.5	06	M20-1.5	12	53	24	18
X0284-06-22	3/8	9.5	06	M22-1.5	14	54	27	20
X0284-08-24	1/2	12.7	08	M24-1.5	16	63	30	21
X0284-10-30	5/8	15.9	10	M30-2	20	74	36	29
X0284-12-30	3/4	19	12	M30-2	20	87	36	30
X0284-12-36	3/4	19	12	M36-2	25	74	46	31
X0284-16-36	1	25.4	16	M36-2	25	105	46	34
X0284-16-42	1	25.4	16	M42-2	30	82	50	33
X0284-20-52	1.1/4	31.8	20	M52-2	38	105	60	39
X0284-24-52	1.1/2	38.1	24	M52-2	38	157	60	52

# X1350

## Occhio a Pressare Metrico

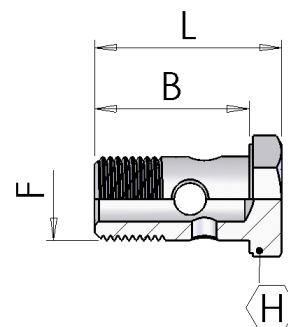


Part number	Hose I.D.		Dimensions			
			dash	Hole	Cut-Off	
	in	mm	size	mm	C	R
X1350-03-10	3/16	4.8	03	10.2	25	17
X1350-03-12	3/16	4.8	03	12.2	21	20
X1350-04-10	1/4	6.4	04	10.2	25	17
X1350-04-12	1/4	6.4	04	12.2	22	20
X1350-04-14	1/4	6.4	04	14.2	25	24
X1350-05-14	5/16	7.9	05	14.2	25	24
X1350-05-16	5/16	7.9	05	16.2	31	28
X1350-05-18	5/16	7.9	05	18.2	29	32
X1350-06-14	3/8	9.5	06	14.2	25	24
X1350-06-16	3/8	9.5	06	16.2	31	28
X1350-06-18	3/8	9.5	06	18.2	29	32
X1350-06-22	3/8	9.5	06	22.2	31	36
X1350-08-16	1/2	12.7	08	16.2	30	28
X1350-08-18	1/2	12.7	08	18.2	29	32
X1350-08-22	1/2	12.7	08	22.2	31	36
X1350-10-22	5/8	15.9	10	22.2	31	36
X1350-10-26	5/8	15.9	10	26.2	38	45
X1350-12-22	3/4	19	12	22.2	32	36
X1350-12-26	3/4	19	12	26.2	38	45
X1350-16-30	1	25.4	16	30.2	45	54



## X1650

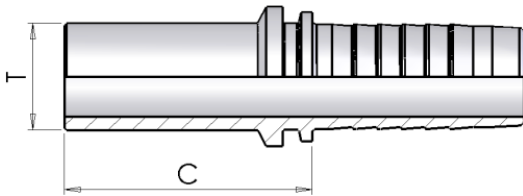
## Bullone forato metrico



Part number	Dimensions			Drop
	B	F	L	
X1650-00-12	26	M12 x 1.5	31	17
X1650-00-14	29	M14 x 1.5	34	19
X1650-00-16	33	M16 x 1.5	41	22
X1650-00-18	37	M18 x 1.5	44	24
X1650-00-22	38	M22 x 1.5	46	27
X1650-00-26	47	M26 x 1.5	56	32
X1650-00-30	58	M30 x 1.5	68	36

# X0550

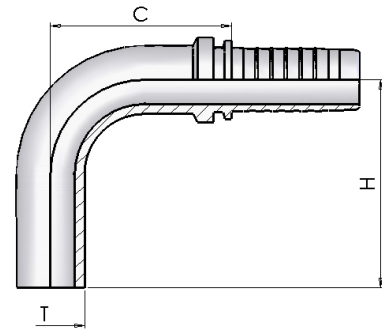
## Femmina Metrica Tubolare Diritta



Part number	Hose I.D.		Dimensions			
			dash	pipe		Cut-Off
	in	mm	size	T	Type	C
X0550-03-06	3/16	4.8	03	6	L/S	30
X0550-03-08	3/16	4.8	03	8	L/S	29
X0550-04-06	1/4	6.4	04	6	L/S	32
X0550-04-08	1/4	6.4	04	8	L/S	30
X0550-04-10	1/4	6.4	04	10	L/S	33
X0550-04-12	1/4	6.4	04	12	L/S	30
X0550-05-08	5/16	7.9	05	08	L/S	31
X0550-05-10	5/16	7.9	05	10	L/S	31
X0550-05-12	5/16	7.9	05	12	L/S	33
X0550-06-08	3/8	9.5	06	08	L/S	33
X0550-06-10	3/8	9.5	06	10	L/S	33
X0550-06-12	3/8	9.5	06	12	L/S	32
X0550-06-14	3/8	9.5	06	14	S	37
X0550-06-15	3/8	9.5	06	15	L	32
X0550-08-12	1/2	12.7	08	12	L/S	36
X0550-08-14	1/2	12.7	08	14	S	39
X0550-08-15	1/2	12.7	08	15	L	34
X0550-08-16	1/2	12.7	08	16	S	39
X0550-08-18	1/2	12.7	08	18	L	35
X0550-08-20	1/2	12.7	08	20	S	45
X0550-10-18	5/8	15.9	10	18	L	35
X0550-10-20	5/8	15.9	10	20	S	45
X0550-10-22	5/8	15.9	10	22	L	33
X0550-12-18	3/4	19	12	18	L	37
X0550-12-20	3/4	19	12	20	S	46
X0550-12-22	3/4	19	12	22	L	38
X0550-12-25	3/4	19	12	25	S	49
X0550-12-28	3/4	19	12	28	L	40
X0550-16-25	1	25.4	16	25	S	51
X0550-16-28	1	25.4	16	28	L	41
X0550-16-30	1	25.4	16	30	S	54
X0550-16-38	1	25.4	16	38	S	60
X0550-20-30	1.1/4	31.8	20	30	S	58
X0550-20-35	1.1/4	31.8	20	35	L	48
X0550-20-38	1.1/4	31.8	20	38	S	62
X0550-24-38	1.1/2	38.1	24	38	S	63
X0550-24-42	1.1/2	38.1	24	42	L	50

## X0650

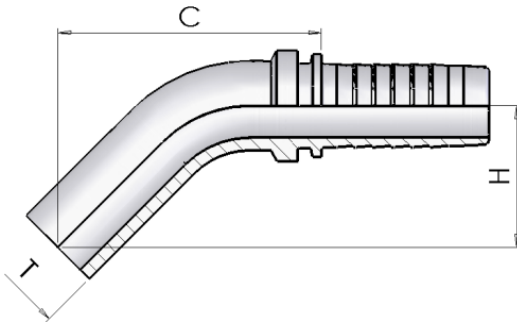
## Femmina Metrica Tubolare 90°



Part number	Hose I.D.		Dimensions				
			dash	pipe		Cut-Off	Drop
	in	mm	size	T	Type	C	H
X0650-03-06	3/16	4.8	03	6	L/S	20	32
X0650-04-06	1/4	6.4	04	6	L/S	23	32
X0650-04-08	1/4	6.4	04	8	L/S	25	34
X0650-04-10	1/4	6.4	04	10	L/S	25	43
X0650-05-10	5/16	7.9	05	10	L/S	29	40
X0650-05-12	5/16	7.9	05	12	L/S	29	45
X0650-06-10	3/8	9.5	06	10	L/S	27	40
X0650-06-12	3/8	9.5	06	12	L/S	30	44
X0650-08-14	1/2	12.7	08	14	S	36	46
X0650-08-15	1/2	12.7	08	15	L	39	52
X0650-08-16	1/2	12.7	08	16	S	42	56
X0650-08-18	1/2	12.7	08	18	L	42	56
X0650-10-18	5/8	15.9	10	18	L	42	56
X0650-10-20	5/8	15.9	10	20	S	48	65
X0650-12-20	3/4	19	12	20	S	48	65
X0650-12-22	3/4	19	12	22	L	51	71
X0650-12-25	3/4	19	12	25	S	57	75
X0650-16-25	1	25.4	16	25	S	57	75
X0650-16-28	1	25.4	16	28	L	60	89
X0650-16-30	1	25.4	16	30	S	65	89
X0650-20-30	1.1/4	31.8	20	30	S	66	89
X0650-20-38	1.1/4	31.8	20	38	S	83	102
X0650-24-38	1.1/2	38.1	24	38	S	82	102

# X0750

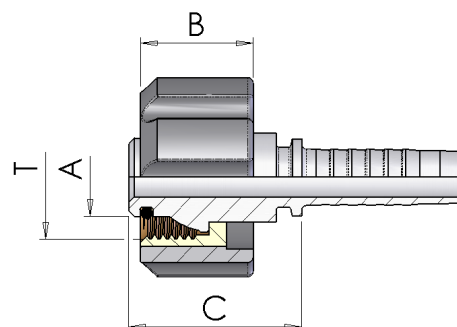
## Femm. Metrica Tubolare 45°



Part number	Hose I.D.		Dimensions				
			dash	pipe		Cut-Off	Drop
	in	mm	size	T	Type	C	H
X0750-03-06	3/16	4.8	03	6	L/S	38	25
X0750-04-06	1/4	6.4	04	6	L/S	41	24
X0750-04-08	1/4	6.4	04	8	L/S	43	25
X0750-04-10	1/4	6.4	04	10	L/S	47	30
X0750-05-10	5/16	7.9	05	10	L/S	49	30
X0750-05-12	5/16	7.9	05	12	L/S	53	32
X0750-06-10	3/8	9.5	06	10	L/S	50	33
X0750-06-12	3/8	9.5	06	12	L/S	52	33
X0750-08-14	1/2	12.7	08	14	S	50	27
X0750-08-15	1/2	12.7	08	15	L	55	29
X0750-08-16	1/2	12.7	08	16	S	54	27
X0750-08-18	1/2	12.7	08	18	L	56	29
X0750-10-18	5/8	15.9	10	18	L	56	29
X0750-10-20	5/8	15.9	10	20	S	56	34
X0750-12-20	3/4	19	12	20	S	63	34
X0750-12-22	3/4	19	12	22	L	65	35
X0750-12-25	3/4	19	12	25	S	76	41
X0750-16-25	1	25.4	16	25	S	76	41
X0750-16-28	1	25.4	16	28	L	84	49
X0750-16-30	1	25.4	16	30	S	86	44
X0750-20-30	1.1/4	31.8	20	30	S	88	44
X0750-20-38	1.1/4	31.8	20	38	S	101	50
X0750-24-38	1.1/2	38.1	24	38	S	100	50

## XFK50

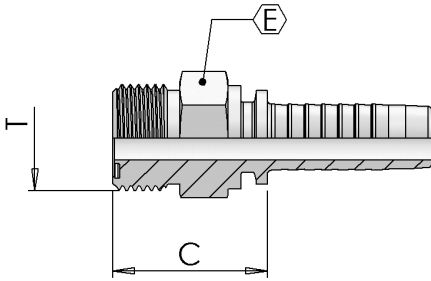
## Femmina Tipo 'K' per Idropultrici



Part number	Hose I.D.		Dimensions				
			dash	Thread	Cut-Off		
	in	mm	size	T	C	A	B
XFK50-04-22	1/4	6.4	04	M22-1.5	31	14	20
XFK50-05-22	5/16	7.9	05	M22-1.5	31	14	20
XFK50-06-22	3/8	9.5	06	M22-1.5	31	14	20
XFK50-04022	1/4	6.4	04	M22-1.5	31	14	27
XFK50-05022	5/16	7.9	05	M22-1.5	31	14	27
XFK50-06022	3/8	9.5	06	M22-1.5	31	14	27

# XS350

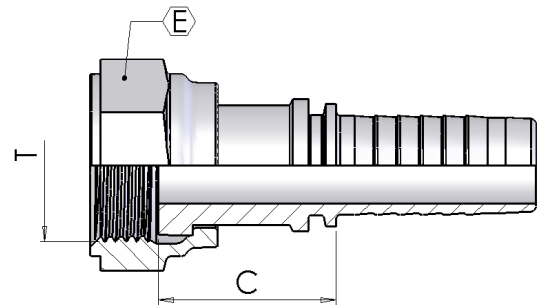
## Maschio ORFS



Part number	Hose I.D.		Dimensions			
			dash	Thread	Cut-Off	Hex
	in	mm	size	T	C	E
XS350-04-06	1/4	6.4	04	9/16-18	23	17
XS350-04-09	1/4	6.4	04	11/16-16	21	19
XS350-05-09	5/16	7.9	05	11/16-16	26	19
XS350-06-09	3/8	9.5	06	11/16-16	26	19
XS350-06-11	3/8	9.5	6	13/16-16	29	22
XS350-08-11	1/2	12.7	08	13/16-16	29	22
XS350-08-13	1/2	12.7	08	1-14	34	27
XS350-08-14	1/2	12.7	08	1.3/16-12	35	32
XS350-10-13	5/8	15.9	10	1-14	33	27
XS350-10-14	5/8	15.9	10	1.3/16-12	35	32
XS350-12-14	3/4	19	12	1.3/16-12	36	32
XS350-12-15	3/4	19	12	1.7/16-12	36	38
XS350-16-15	1	25.4	16	1.7/16-12	37	38
XS350-16-21	1	25.4	16	1.11/16-12	38	46
XS350-20-21	1.1/4	31.8	20	1.11/16-12	39	46

# XS050

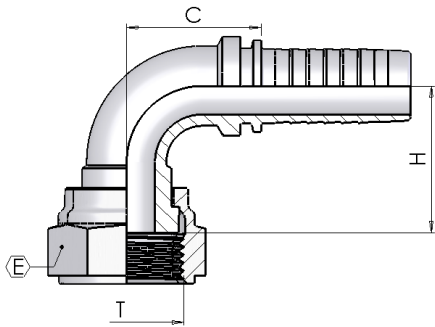
## Femmina ORFS



Part number	Hose I.D.		Dimensions			
			dash	Thread	Cut-Off	Hex
	in	mm	size	T	C	E
XS050-04-06	1/4	6.4	04	9/16-18	25	19
XS050-04-09	1/4	6.4	04	11/16-16	29	22
XS050-05-09	5/16	7.9	05	11/16-16	29	22
XS050-06-09	3/8	9.5	06	11/16-16	29	22
XS050-06-11	3/8	9.5	06	13/16-16	30	24
XS050-08-11	1/2	12.7	08	13/16-16	32	24
XS050-08-13	1/2	12.7	08	1-14	35	30
XS050-08-14	1/2	12.7	08	1.3/16-12	37	36
XS050-10-13	5/8	15.9	10	1-14	35	30
XS050-10-14	5/8	15.9	10	1.3/16-12	34	36
XS050-12-13	3/4	19	12	1-14	37	30
XS050-12-14	3/4	19	12	1.3/16-12	35	36
XS050-12-15	3/4	19	12	1.7/16-12	41	41
XS050-16-15	1	25.4	16	1.7/16-12	39	41
XS050-20-21	1.1/4	31.8	20	1.11/16-12	40	50
XS050-24-32	1.1/2	38.1	24	2-12	41	60

# XS150

Curva ORFS 90°

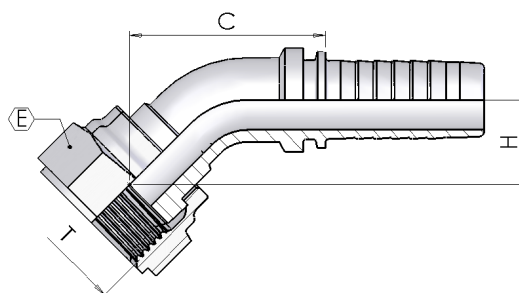


Part number	Hose I.D.		Dimensions				
			dash	Thread	Cut-Off	Hex	Drop
	in	mm	size	T	C	E	H
XS150-04-06	1/4	6.4	04	9/16-18	25	19	26
XS150-04-09	1/4	6.4	04	11/16-16	25	22	23
XS150-05-09	5/16	7.9	05	11/16-16	29	22	32
XS150-06-09	3/8	9.5	06	11/16-16	33	22	33
XS150-06-11	3/8	9.5	06	13/16-16	33	24	32
XS150-08-11	1/2	12.7	08	13/16-16	39	24	36
XS150-08-13	1/2	12.7	08	1-14	39	30	40
XS150-08-14	1/2	12.7	08	1.3/16-12	42	36	39
XS150-10-13	5/8	15.9	10	1-14	47	30	39
XS150-12-14	3/4	19	12	1.3/16-12	57	36	49
XS150-12-15	3/4	19	12	1.7/16-12	56	41	51
XS150-16-15	1	25.4	16	1.7/16-12	67	41	62
XS150-20-21	1.1/4	31.8	20	1.11/16-12	86	50	72
XS150-24-32	1.1/2	38.1	24	2-12	103	60	82



## XS250

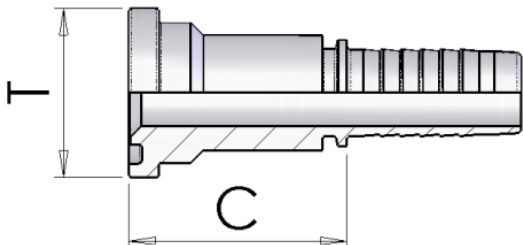
## Curva ORFS 45°



Part number	Hose I.D.		Dimensions				
			dash	Thread	Cut-Off	Hex	Drop
	in	mm	size	T	C	E	H
XS250-04-06	1/4	6.4	04	9/16-18	40	19	14
XS250-04-09	1/4	6.4	04	11/16-16	38	22	14
XS250-05-09	5/16	7.9	05	11/16-16	44	22	14
XS250-06-09	3/8	9.5	06	11/16-16	52	22	17
XS250-06-11	3/8	9.5	06	13/16-16	51	24	18
XS250-08-11	1/2	12.7	08	13/16-16	62	24	20
XS250-08-13	1/2	12.7	08	1-14	64	30	23
XS250-08-14	1/2	12.7	08	1.3/16-12	62	36	23
XS250-10-13	5/8	15.9	10	1-14	67	30	22
XS250-12-14	3/4	19	12	1.3/16-12	84	36	23
XS250-12-15	3/4	19	12	1.7/16-12	84	41	26
XS250-16-15	1	25.4	16	1.7/16-12	100	41	31
XS250-20-21	1.1/4	31.8	20	1.11/16-12	111	50	44
XS250-24-32	1.1/2	38.1	24	2-12	123	60	53

# X1260

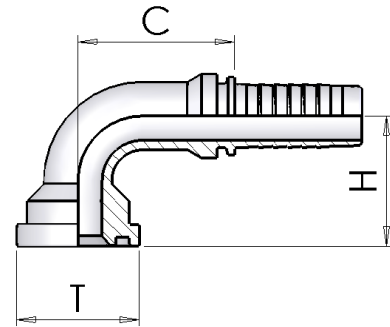
## Flangia Diritta SAE 3000 PSI



Part number	Hose I.D.		Dimensions			
			dash size	Flange T	mm	Cut-Off C
	in	mm	size	T	mm	C
X1260-08-08	1/2	12.7	08	1/2	30,2	45
X1260-08-12	1/2	12.7	08	3/4	38.1	50
X1260-10-08	5/8	15.9	10	1/2	30,2	45
X1260-10-12	5/8	15.9	10	3/4	38.1	49
X1260-12-12	3/4	19	12	3/4	38.1	50
X1260-12-16	3/4	19	12	1	44.5	53
X1260-16-16	1	25.4	16	1	44.5	54
X1260-16-20	1	25.4	16	1.1/4	50.8	57
X1260-20-20	1.1/4	31.8	20	1.1/4	50.8	59
X1260-20-24	1.1/4	31.8	20	1.1/2	60.3	62
X1260-24-24	1.1/2	38.1	24	1.1/2	60.3	62
X1260-24-32	1.1/2	38.1	24	2	71.4	67
X1260-32-32	2	50.8	32	2	71.4	68
X1260-32-40	2	50.8	32	2.1/2	84.1	76

# X1060

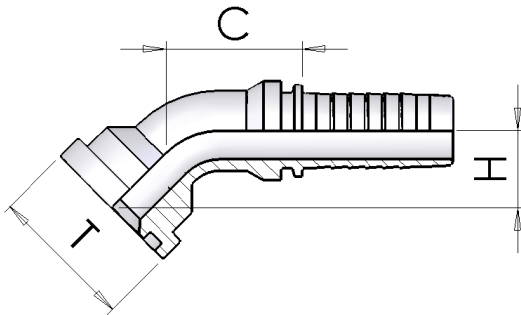
## Flangia 90° SAE 3000 PSI



Part number	Hose I.D.		Dimensions				
			dash size	Flange T	mm	Cut-Off C	Drop H
	in	mm					
X1060-08-08	1/2	12.7	08	1/2	30,2	39	39
X1060-08-12	1/2	12.7	08	3/4	38.1	39	44
X1060-10-08	5/8	15.9	10	1/2	30,2	45	42
X1060-10-12	5/8	15.9	10	3/4	38.1	45	47
X1060-12-12	3/4	19	12	3/4	38.1	56	53
X1060-12-16	3/4	19	12	1	44.5	56	58
X1060-16-16	1	25.4	16	1	44.5	70	65
X1060-16-20	1	25.4	16	1.1/4	50.8	70	70
X1060-16-24	1	25.4	16	1.1/2	60.3	72	71
X1060-20-16	1.1/4	31.8	20	1	44.5	81	77
X1060-20-20	1.1/4	31.8	20	1.1/4	50.8	86	77
X1060-20-24	1.1/4	31.8	20	1.1/2	60.3	85	81
X1060-24-24	1.1/2	38.1	24	1.1/2	60.3	98	89
X1060-24-32	1.1/2	38.1	24	2	71.4	93	97
X1060-32-32	2	50.8	32	2	71.4	123	121

## X1160

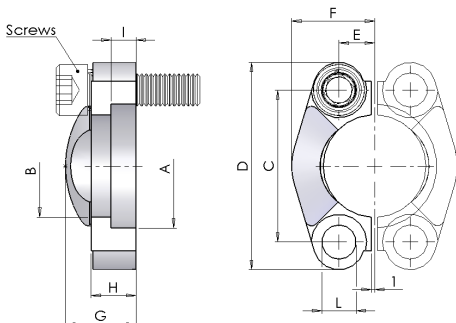
### Flangia 45° SAE 3000 PSI



Part number	Hose I.D.		Dimensions				
			dash	Flange		Cut-Off	Drop
			size	T	mm	C	H
X1160-08-08	1/2	12.7	08	1/2	30,2	62	22
X1160-08-12	1/2	12.7	08	3/4	38.1	67	25
X1160-12-12	3/4	19	12	3/4	38.1	69	27
X1160-12-16	3/4	19	12	1	44.5	88	30
X1160-16-16	1	25.4	16	1	44.5	82	33
X1160-16-20	1	25.4	16	1.1/4	50.8	108	37
X1160-20-20	1.1/4	31.8	20	1.1/4	50.8	102	38
X1160-20-24	1.1/4	31.8	20	1.1/2	60.3	129	39
X1160-24-24	1.1/2	38.1	24	1.1/2	60.3	114	44
X1160-24-32	1.1/2	38.1	24	2	71.4	148	47
X1160-32-32	2	50.8	32	2	71.4	130	58

## XS003

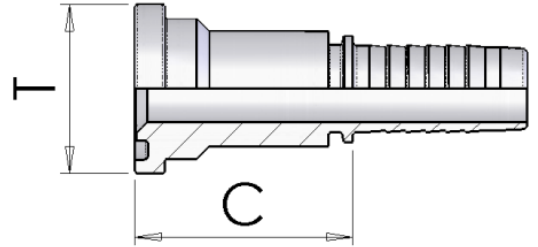
### Semiflange tagliate - 3000 psi



Part number	Dimensions										Drop	Sae SIZE
	A	B	C	D	E	F	G	I	L	H		
	XS003-08	30.96	24.3	38.1	54	8.7	22.8	19	6.2	8.8		
XS003-12	38.89	32.1	47.6	65	11.1	25.9	22	6.2	10.8	14	3/4"	
XS003-16	45.24	38.5	52.4	70	13.1	29.2	24	7.5	10.8	16	1"	
XS003-20	51.59	43.7	58.7	79	15.1	36.3	22	7.5	12	14	1"1/4	
XS003-24	61.09	50.8	69.9	94	17.9	41.1	25	7.5	13.5	16	1"1/2	
XS003-32	72.24	62.7	77.8	102	21.4	48.2	26	9	13.5	16	2"	

## X1310

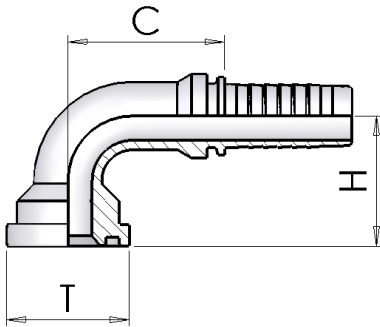
## Flangia Diritta SAE 6000 PSI



Part number	Hose I.D.		Dimensions			
			dash	Flange		Cut-Off
	in	mm	size	T	mm	C
X1310-08-08	1/2	12.7	08	1/2	31,8	46
X1310-08-12	1/2	12.7	08	3/4	41.3	53
X1310-10-08	5/8	15.9	10	1/2	31,8	46
X1310-10-12	5/8	15.9	10	3/4	41.3	53
X1310-10-16	5/8	15.9	10	1	47.6	59
X1310-12-12	3/4	19	12	3/4	41.3	54
X1310-12-16	3/4	19	12	1	47.6	60
X1310-16-12	1	25.4	16	3/4	41.3	55
X1310-16-16	1	25.4	16	1	47.6	61
X1310-16-20	1	25.4	16	1.1/4	54	68
X1310-20-20	1.1/4	31.8	20	1.1/4	54	70
X1310-20-24	1.1/4	31.8	20	1.1/2	63.5	76
X1310-24-24	1.1/2	38.1	24	1.1/2	63.5	76
X1310-24-32	1.1/2	38.1	24	2	79.4	85
X1310-32-32	2	50.8	32	2	79.4	85

# X1110

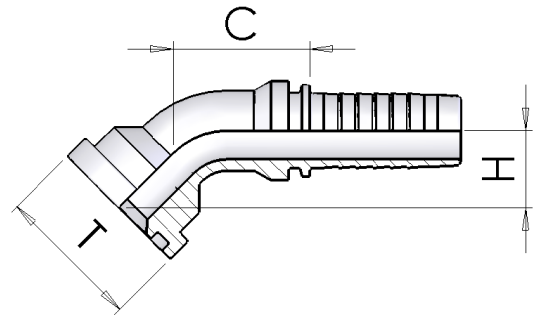
## Flangia 90° SAE 6000 PSI



Part number	Hose I.D.		Dimensions				
			dash size	Flange T	mm	Cut-Off C	Drop H
	in	mm					
X1110-08-08	1/2	12.7	08	1/2	31.8	39	39
X1110-08-12	1/2	12.7	08	3/4	41.3	39	48
X1110-10-08	5/8	15.9	10	1/2	31.8	45	42
X1110-10-12	5/8	15.9	10	3/4	41.3	44	52
X1110-10-16	5/8	15.9	10	1	47.6	45	56
X1110-12-08	3/4	19	12	1/2	32	56	54
X1110-12-12	3/4	19	12	3/4	41.3	56	55
X1110-12-16	3/4	19	12	1	47.6	56	63
X1110-16-12	1	25.4	16	3/4	41.3	68	64
X1110-16-16	1	25.4	16	1	47.6	70	69
X1110-16-20	1	25.4	16	1.1/4	54	71	74
X1110-20-20	1.1/4	31.8	20	1.1/4	54	97	83
X1110-20-24	1.1/4	31.8	20	1.1/2	63.5	97	90
X1110-24-24	1.1/2	38.1	24	1.1/2	63.5	102	99
X1110-24-32	1.1/2	38.1	24	2	79.4	103	108
X1110-32-32	2	50.8	32	2	79.4	125	136

# X1210

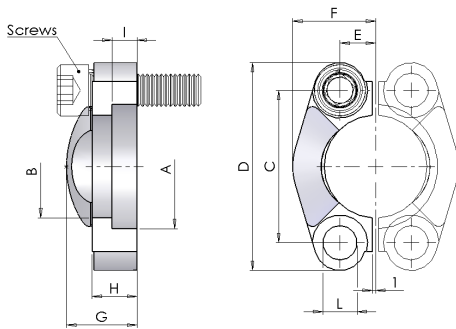
## Flangia 45° SAE 6000 PSI



Part number	Hose I.D.		Dimensions				
			dash size	Flange T	mm	Cut-Off C	Drop H
	in	mm					
X1210-08-08	1/2	12.7	08	1/2	31.8	62	22
X1210-08-12	1/2	12.7	08	3/4	41.3	69	28
X1210-10-08	5/8	15.9	10	1/2	31.8	66	21
X1210-10-12	5/8	15.9	10	3/4	41.3	75	27
X1210-10-16	5/8	15.9	10	1	47.6	77	32
X1210-12-12	3/4	19	12	3/4	41.3	74	28
X1210-12-16	3/4	19	12	1	47.6	90	32
X1210-16-12	1	25.4	16	3/4	41.3	101	30
X1210-16-16	1	25.4	16	1	47.6	86	34
X1210-16-20	1	25.4	16	1.1/4	54	112	41
X1210-20-20	1.1/4	31.8	20	1.1/4	54	107	43
X1210-20-24	1.1/4	31.8	20	1.1/2	63.5	149	48
X1210-24-24	1.1/2	38.1	24	1.1/2	63.5	122	50
X1210-24-32	1.1/2	38.1	24	2	79.4	163	66
X1210-32-32	2	50.8	32	2	79.4	145	68

## XS006

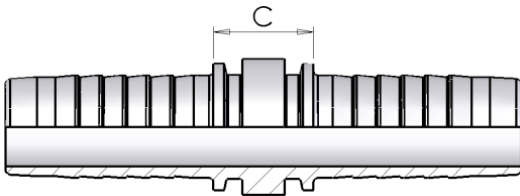
### Semiflange tagliate - 6000 psi



Part number	Dimensions										Sae SIZE
	A	B	C	D	E	F	G	I	L	H	
XS006-08	32.54	24.6	40.5	56	9.1	23.6	22	7.2	8.8	16	1/2"
XS006-12	42.06	32.5	50.8	71	11.9	30	28	8.3	11	19	3/4"
XS006-16	48.41	38.9	57.2	81	13.9	34.8	33	9	13	24	1"
XS006-20	54.76	44.5	66.7	95	15.9	38.6	38	9.8	15	27	1"1/4
XS006-24	64.29	51.6	79.4	113	18.3	47.5	43	12.1	17	30	1"1/2
XS006-32	80.16	67.6	96.8	133	22.2	56.9	52	12.1	21	37	2"

## XD050

### Giunzione per Tubi Flessibili



Part number	Hose I.D.		Dimensions	
			dash	Cut-Off
	in	mm	size	C
XD050-03	3/16	4.8	03	17
XD050-04	1/4	6.4	04	17
XD050-05	5/16	7.9	05	17
XD050-06	3/8	9.5	06	17
XD050-08	1/2	12.7	08	18
XD050-10	5/8	15.9	10	18
XD050-12	3/4	19	12	19
XD050-16	1	25.4	16	21
XD050-20	1.1/4	31.8	20	24
XD050-24	1.1/2	38.1	24	24
XD050-32	2	50.8	32	26



The image features a blue abstract background with overlapping circles and a large white 'in' logo. The text 'INTER-LOCK TAILS' is positioned in the upper left quadrant, and the 'in' logo is centered in the lower half of the image.

INTER-LOCK  
TAILS





**X004N**



Swaged Ferrule  
(skive)

66

**X0013**



Swaged Ferrule  
(skive)

66



**X0370H**



NPTF Male 60° cone

67



**X0350H**



BSP Male Parallel 60°  
cone

67

**X0050H**



BSP Female 60° cone  
Thrust Wire

68

**X0150H**



BSP 90° Swept Elbow  
60° cone Thrust Wire

68

**X0250H**



BSP 45° Swept Elbow  
60° cone Thrust Wire

69



**X0850H**



JIC Male 74° cone

69



**X0900H**



JIC Female 74° cone  
Thrust Wire

70

**X0950H**



JIC 90° Swept Elbow  
74° cone Thrust Wire

70

**X1000H**



JIC 45° Swept Elbow  
74° cone Thrust Wire

71



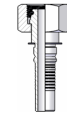
**X0450H**



Metric Male 24° Seat  
Heavy

71

**X0084H**



Metric Female 24°  
Seat Heavy

72



**X0184H**



90° Metric Swept El-  
bow 24° Seat Heavy

72

**X0284H**



45° Metric Swept El-  
bow 24° Seat Heavy

73



**XS050H**



ORFS Female

73

**XS05TH**



ORFS Female Back  
Hexagon

74

**XS150H**



ORFS 90° Swept Elbow

74

**XS250H**



ORFS 45° Swept Elbow

75

**XS350H**



ORFS Male

75



**X1250H**



Straight SAE Flange 3000 PSI

76

**X1050H**



90° SAE Flange 3000 PSI

76

**X1150H**



45° SAE Flange 3000 PSI

77

**X1300H**



Straight SAE Flange 6000 PSI

78

**X1100H**



90° SAE Flange 6000 PSI

79

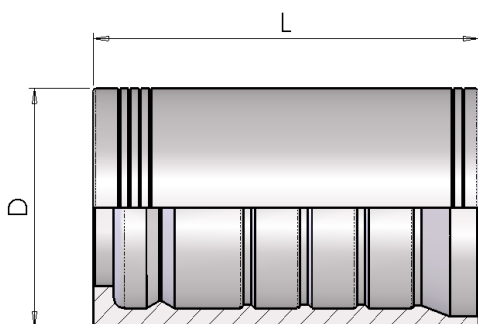
**X1200H**



45° SAE Flange 6000 PSI

80

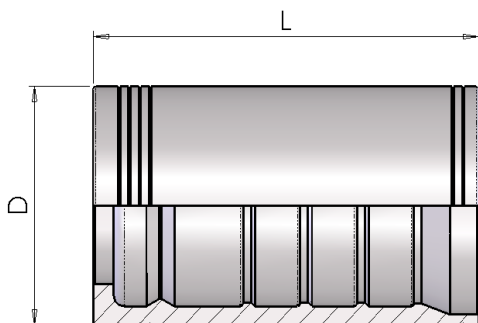
## X004N



### Boccola a Pressare (skive)

Part number	Hose I.D.		Dimensions		Skive Length
			D	L	
	in	mm			
X004N-12	3/4	19.0	38	60	52/15
X004N-16	1	25.4	46	74.5	64/17
X004N-20	1.1/4	31.8	55	88	74/22
X004N-24	1.1/2	38.1	62	94	81/22,5
X004N-32	2	50.8	78	99	85/30

## X0013

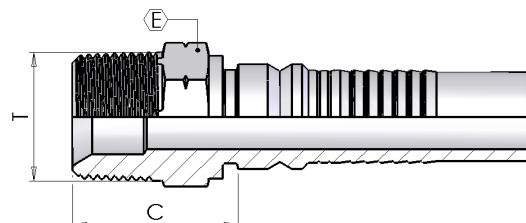


### Boccola a Pressare (skive)

Part number	Hose I.D.		Dimensions		Skive Length
			D	L	
	in	mm			
X0013-20	1.1/4	31.8	60	88	74/22
X0013-24	1.1/2	38.1	67	94	81/22,5
X0013-32	2	50.8	84.5	99	85/30

## X0370H

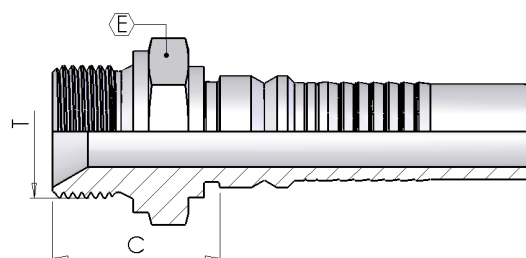
### Maschio NPTF svas. 60°



Part number	Hose I.D.		Dimensions			
			dash	Thread	Cut-Off	Hex
	in	mm	size	T	C	E
X0370H12-12	3/4	19.0	12	3/4-14	35	27
X0370H16-16	1	25.4	16	1-11.1/2	41	36
X0370H20-20	1.1/4	31.8	20	1.1/4-11.1/2	44	46
X0370H24-24	1.1/2	38.1	24	1.1/2-11.1/2	47	50
X0370H32-32	2	50.8	32	2-11.1/2	54	65

## X0350H

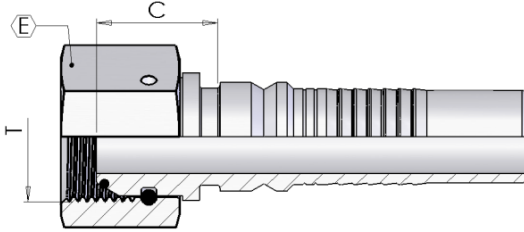
### Maschio BSP svas. 60°



Part number	Hose I.D.		Dimensions			
			dash	Thread	Cut-Off	Hex
	in	mm	size	T	C	E
X0350H12-12	3/4	19.0	12	3/4-14	33	32
X0350H12-16	3/4	19.0	12	1-11	36	41
X0350H16-16	1	25.4	16	1-11	37	41
X0350H16-20	1	25.4	16	1.1/4-11	41	50
X0350H20-20	1.1/4	31.8	20	1.1/4-11	42	50
X0350H24-24	1.1/2	38.1	24	1.1/2-11	44	55
X0350H32-32	2	50.8	32	2-11	53	70

## X0050H

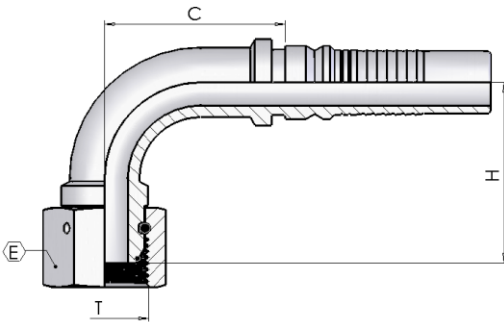
**Femmina BSP Cono 60°  
- Dado Spinato**



Part number	Hose I.D.		Dimensions				
			dash	Thread	Cut-Off	Hex	
	in	mm	size	T	C	E	
X0050H12-12	3/4	19.0	12	3/4-14	23	32	
X0050H12-16	3/4	19.0	12	1-11	25	38	
X0050H16-16	1	25.4	16	1-11	26	38	
X0050H20-20	1.1/4	31.8	20	1.1/4-11	29	50	
X0050H20-24	1.1/4	31.8	20	1.1/2-11	31	55	
X0050H24-24	1.1/2	38.1	24	1.1/2-11	31	55	
X0050H32-32	2	50.8	32	2-11	30	70	

## X0150H

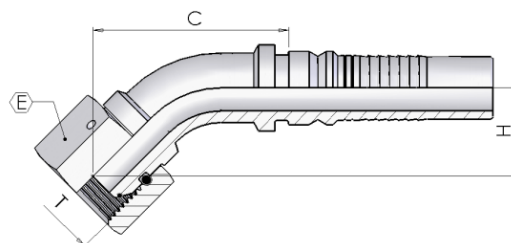
**Curva BSP 90° Cono 60°  
- Dado Spinato**



Part number	Hose I.D.		Dimensions				
			dash	Thread	Cut-Off	Hex	Drop
	in	mm	size	T	C	E	H
X0150H12-12	3/4	19.0	12	3/4-14	54	32	57
X0150H16-16	1	25.4	16	1-11	73	38	70
X0150H16-20	1	25.4	16	1.1/4-11	73	50	76
X0150H20-20	1.1/4	31.8	20	1.1/4-11	93	50	83
X0150H24-24	1.1/2	38.1	24	1.1/2-11	111	55	104
X0150H32-32	2	50.8	32	2-11	122	70	135

## X0250H

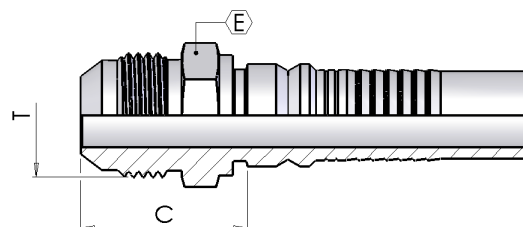
Curva BSP 45° Cono 60°  
- Dado Spinato



Part number	Hose I.D.		Dimensions				
			dash	Thread	Cut-Off	Hex	Drop
	in	mm	size	T	C	E	H
X0250H12-12	3/4	19.0	12	3/4-14	84	32	28
X0250H16-16	1	25.4	16	1-11	112	38	38
X0250H20-20	1.1/4	31.8	20	1.1/4-11	137	50	41
X0250H24-24	1.1/2	38.1	24	1.1/2-11	166	55	54
X0250H32-32	2	50.8	32	2-11	195	70	70

## X0850H

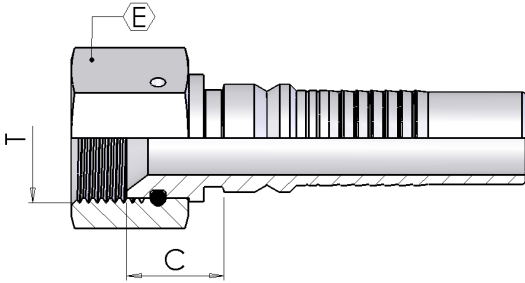
Maschio JIC Cono 74°



Part number	Hose I.D.		Dimensions			
			dash	Thread	Cut-Off	Hex
	in	mm	size	T	C	E
X0850H12-12	3/4	19.0	12	1.1/16-12	36	27
X0850H16-16	1	25.4	16	1.5/16-12	40	34
X0850H20-20	1.1/4	31.8	20	1.5/8-12	44	42
X0850H24-24	1.1/2	38.1	24	1.7/8-12	49	50
X0850H32-32	2	50.8	32	2.1/2-12	61	65

## X0900H

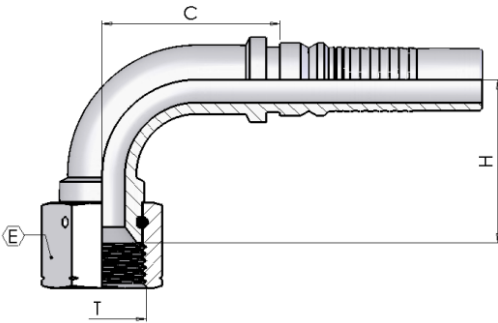
**Femmina JIC svas. 74°  
- Dado Spinato**



Part number	Hose I.D.		Dimensions			
			dash	Thread	Cut-Off	Hex
	in	mm	size	T	C	E
X0900H12-12	3/4	19.0	12	1.1/16-12	19	32
X0900H12-16	3/4	19.0	12	1.5/16-12	22	41
X0900H16-16	1	25.4	16	1.5/16-12	23	41
X0900H20-20	1.1/4	31.8	20	1.5/8-12	26	50
X0900H24-24	1.1/2	38.1	24	1.7/8-12	29	55
X0900H32-32	2	50.8	32	2.1/2-12	30	70

## X0950H

**Curva JIC 90° svas. 74°  
- Dado Spinato**

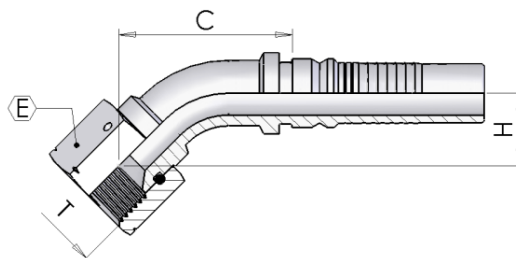


Part number	Hose I.D.		Dimensions				
			dash	Thread	Cut-Off	Hex	Drop
	in	mm	size	T	C	E	H
X0950H12-12	3/4	19.0	12	1.1/16-12	54	32	54
X0950H12-16	3/4	19.0	12	1.5/16-12	54	41	62
X0950H16-16	1	25.4	16	1.5/16-12	77	41	66
X0950H20-20	1.1/4	31.8	20	1.5/8-12	92	50	86
X0950H24-24	1.1/2	38.1	24	1.7/8-12	112	55	100
X0950H32-32	2	50.8	32	2.1/2-12	121	70	134



## X1000H

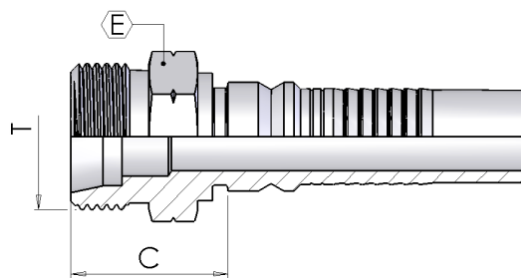
Curva JIC 45° svas. 74°  
- Dado Spinato



Part number	Hose I.D.		Dimensions				
			dash	Thread	Cut-Off	Hex	Drop
	in	mm	size	T	C	E	H
X1000H12-12	3/4	19.0	12	1.1/16-12	85	32	28
X1000H12-16	3/4	19.0	12	1.5/16-12	88	41	32
X1000H16-16	1	25.4	16	1.5/16-12	113	41	36
X1000H20-20	1.1/4	31.8	20	1.5/8-12	133	50	50
X1000H24-24	1.1/2	38.1	24	1.7/8-12	165	55	49
X1000H32-32	2	50.8	32	2.1/2-12	194	70	67

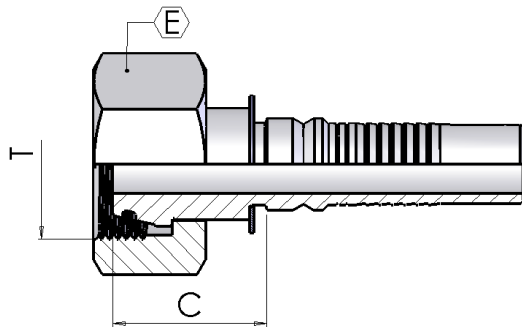
## X0450H

Maschio Metrico svas. 24°  
- Serie Pesante



Part number	Hose I.D.		Dimensions				
			dash	Thread		Cut-Off	Hex
	in	mm	size	T	Erm	C	E
X0450H12-36	3/4	19.0	12	M36-2	25	36	36
X0450H16-42	1	25.4	16	M42-2	30	39	46
X0450H20-52	1.1/4	31.8	20	M52-2	38	42	55
X0450H24-52	1.1/2	38.1	24	M52-2	38	43	55

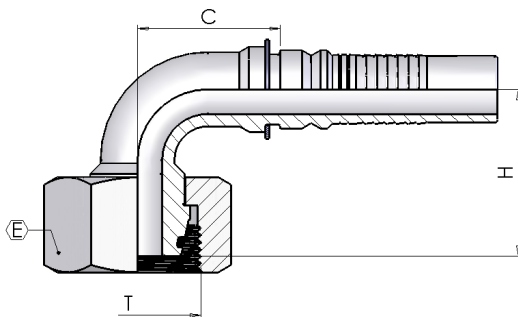
## X0084H



### Femmina Metrica Cono 24° - Serie Pesante

Part number	Hose I.D.		Dimensions				
			dash	Thread		Cut-Off	Hex
	in	mm	size	T	Erm	C	E
X0084H12-36	3/4	19.0	12	M36-2	25	37	46
X0084H16-36	1	25.4	16	M36-2	25	38	46
X0084H16-42	1	25.4	16	M42-2	30	41	50
X0084H20-52	1.1/4	31.8	20	M52-2	38	41	60
X0084H24-52	1.1/2	38.1	24	M52-2	38	42	60

## X0184H

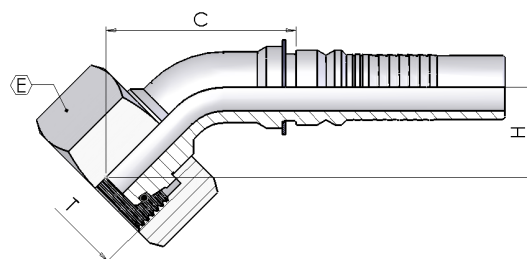


### Curva Metrica 90° Cono 24° ù - Serie Pesante

Part number	Hose I.D.		Dimensions					
			dash	Thread		Cut-Off	Hex	Drop
	in	mm	size	T	Erm	C	E	H
X0184H12-36	3/4	19.0	12	M36-2	25	55	46	58
X0184H16-36	1	25.4	16	M36-2	25	75	46	68
X0184H16-42	1	25.4	16	M42-2	30	74	50	69
X0184H20-52	1.1/4	31.8	20	M52-2	38	94	60	81

## X0284H

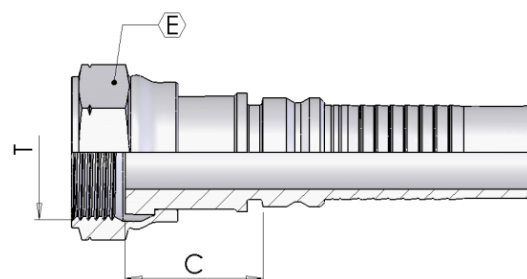
### Curva Metrica 45° Cono 24° - Serie Pesante



Part number	Hose I.D.		Dimensions					
			dash	Thread		Cut-Off	Hex	Drop
	in	mm	size	T	Erm	C	E	H
X0284H12-36	3/4	19.0	12	M36-2	25	94	46	31
X0284H16-36	1	25.4	16	M36-2	25	110	46	34
X0284H16-42	1	25.4	16	M42-2	30	112	50	33
X0284H20-52	1.1/4	31.8	20	M52-2	38	93	60	81

## XS050H

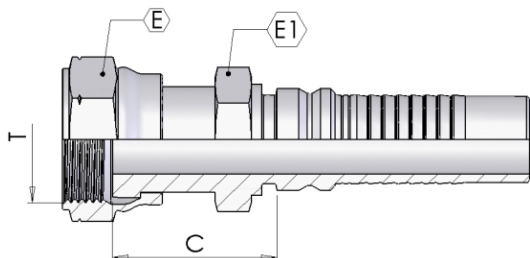
### Femmina ORFS



Part number	Hose I.D.		Dimensions			
			dash	Thread	Cut-Off	Hex
	in	mm	size	T	C	E
XS050H12-14	3/4	19.0	12	1.3/16-12	33	36
XS050H16-15	1	25.4	16	1.7/16-12	37	41
XS050H16-21	1	25.4	16	1.11/16-12	36	50
XS050H20-21	1.1/4	31.8	20	1.11/16-12	37	50
XS050H20-32	1.1/4	31.8	20	2-12	37	60
XS050H24-32	1.1/2	38.1	24	2-12	41	60

## XS05TH

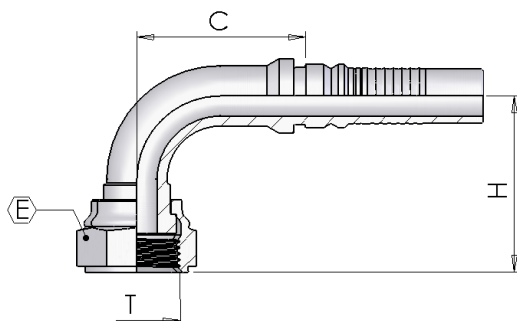
Femmina ORFS doppio  
esagono



Part number	Hose I.D.		Dimensions				
			dash	Thread	Cut-Off	Hex	
	in	mm	size	T	C	E	E1
XS05TH12-14	3/4	19.0	12	1.3/16-12	39	36	30
XS05TH16-15	1	25.4	16	1.7/16-12	47	41	36
XS05TH20-21	1.1/4	31.8	20	1.11/16-12	50	50	46

## XS150H

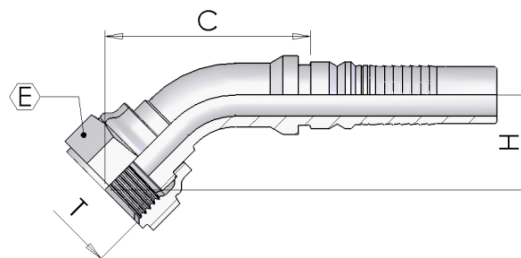
Curva ORFS 90°



Part number	Hose I.D.		Dimensions				
			dash	Thread	Cut-Off	Hex	Drop
	in	mm	size	T	C	E	H
XS150H12-14	3/4	19.0	12	1.3/16-12	54	36	49
XS150H16-15	1	25.4	16	1.7/16-12	69	41	66
XS150H20-21	1.1/4	31.8	20	1.11/16-12	87	50	80
XS150H24-32	1.1/2	38.1	24	2-12	111	60	102

## XS250H

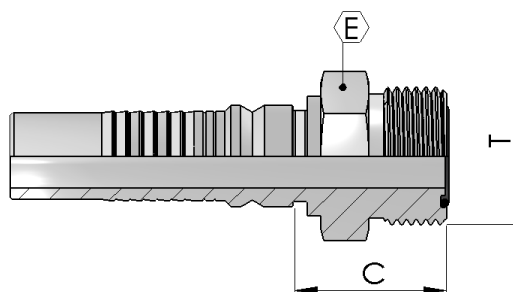
### Curva ORFS 45°



Part number	Hose I.D.		Dimensions				
			dash	Thread	Cut-Off	Hex	Drop
	in	mm	size	T	C	E	H
XS250H12-14	3/4	19.0	12	1.3/16-12	84	36	23
XS250H16-15	1	25.4	16	1.7/16-12	107	41	33
XS250H20-21	1.1/4	31.8	20	1.11/16-12	130	50	37
XS250H24-32	1.1/2	38.1	24	2-12	165	60	50

## XS350H

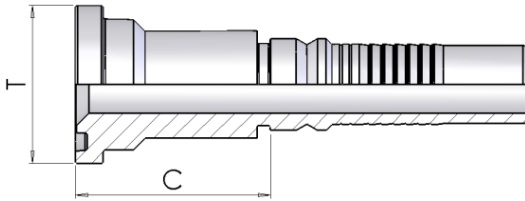
### Maschio ORFS



Part number	Hose I.D.		Dimensions			
			dash	Thread	Cut-Off	Hex
	in	mm	size	T	C	E
XS350H12-14	3/4	19.0	12	1.3/16-12	34	32
XS350H16-15	1	25.4	16	1.7/16-12	35	38
XS350H20-21	1.1/4	31.8	20	1.11/16-12	36	46

## X1250H

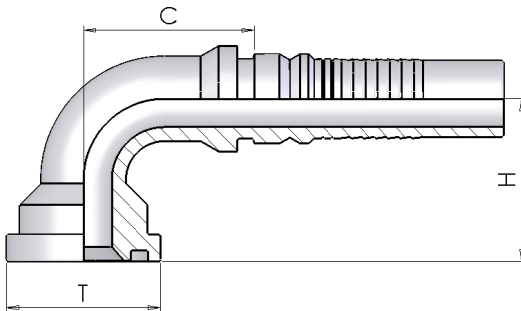
### Flangia Diritta SAE 3000 PSI



Part number	Hose I.D.		Dimensions			
			dash	Flange		Cut-Off
	in	mm	size	T	mm	C
X1250H12-12	3/4	19.0	12	3/4	38.1	47
X1250H12-16	3/4	19.0	12	1	44.5	50
X1250H16-16	1	25.4	16	1	44.5	52
X1250H16-20	1	25.4	16	1.1/4	50.8	55
X1250H20-20	1.1/4	31.8	20	1.1/4	50.8	56
X1250H20-24	1.1/4	31.8	20	1.1/2	60.3	59
X1250H24-24	1.1/2	38.1	24	1.1/2	60.3	60
X1250H24-32	1.1/2	38.1	24	2	71.4	65
X1250H32-32	2	50.8	32	2	71.4	67

## X1050H

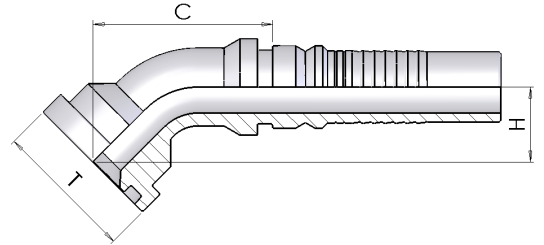
### Flangia 90° SAE 3000 PSI



Part number	Hose I.D.		Dimensions				
			dash	Flange		Cut-Off	Drop
	in	mm	size	T	mm	C	H
X1050H12-12	3/4	19.0	12	3/4	38.1	52	52
X1050H12-16	3/4	19.0	12	1	44.5	55	56
X1050H16-16	1	25.4	16	1	44.5	73	65
X1050H16-20	1	25.4	16	1.1/4	50.8	69	71
X1050H20-20	1.1/4	31.8	20	1.1/4	50.8	93	78
X1050H20-24	1.1/4	31.8	20	1.1/2	60.3	97	80
X1050H24-24	1.1/2	38.1	24	1.1/2	60.3	100	95
X1050H24-32	1.1/2	38.1	24	2	71.4	134	101
X1050H32-32	2	50.8	32	2	71.4	122	121

# X1150H

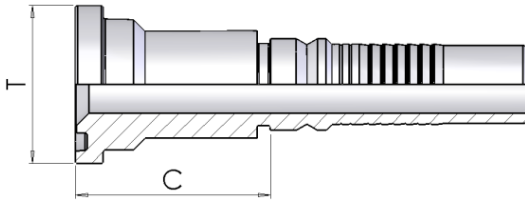
## Flangia 45° SAE 3000 PSI



Part number	Hose I.D.		Dimensions				
			dash	Flange		Cut-Off	Drop
	in	mm	size	T	mm	C	H
X1150H12-12	3/4	19.0	12	3/4	38.1	81	25
X1150H12-16	3/4	19.0	12	1	44.5	86	28
X1150H16-16	1	25.4	16	1	44.5	107	35
X1150H16-20	1	25.4	16	1.1/4	50.8	113	37
X1150H20-20	1.1/4	31.8	20	1.1/4	50.8	136	37
X1150H20-24	1.1/4	31.8	20	1.1/2	60.3	136	40
X1150H24-24	1.1/2	38.1	24	1.1/2	60.3	159	44
X1150H24-32	1.1/2	38.1	24	2	71.4	159	47
X1150H32-32	2	50.8	32	2	71.4	182	56

# X1300H

## Flangia Diritta SAE 6000 PSI

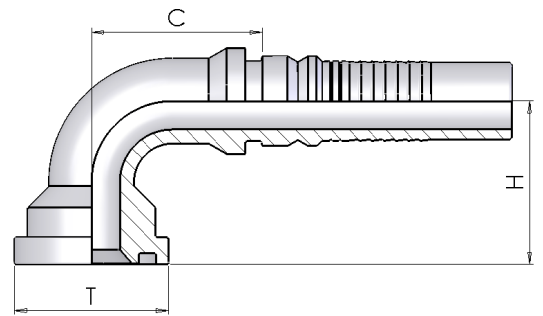


Part number	Hose I.D.		Dimensions			
			dash	Flange		Cut-Off
	in	mm	size	T	mm	C
X1300H12-12	3/4	19.0	12	3/4	41.3	51
X1300H12-16	3/4	19.0	12	1	47.6	57
X1300H16-12	1	25.4	16	3/4	41.3	52
X1300H16-16	1	25.4	16	1	47.6	59
X1300H16-20	1	25.4	16	1.1/4	54	66
X1300H20-16	1.1/4	31.8	20	1	47.6	60
X1300H20-20	1.1/4	31.8	20	1.1/4	54	67
X1300H20-24	1.1/4	31.8	20	1.1/2	63.5	73
X1300H24-20	1.1/2	38.1	24	1.1/4	54	75
X1300H24-24	1.1/2	38.1	24	1.1/2	63.5	74
X1300H24-32	1.1/2	38.1	24	2	79.4	82
X1300H32-32	2	50.8	32	2	79.4	84



# X1100H

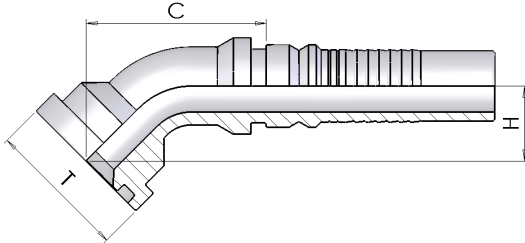
## Flangia 90° SAE 6000 PSI



Part number	Hose I.D.		Dimensions				
			dash	Flange		Cut-Off	Drop
	in	mm	size	T	mm	C	H
X1100H12-12	3/4	19.0	12	3/4	41.3	53	55
X1100H12-16	3/4	19.0	12	1	47.6	52	63
X1100H16-12	1	25.4	16	3/4	41.3	73	66
X1100H16-16	1	25.4	16	1	47.6	74	72
X1100H16-20	1	25.4	16	1.1/4	54	73	79.5
X1100H20-16	1.1/4	31.8	20	1	47.6	93	80
X1100H20-20	1.1/4	31.8	20	1.1/4	54	93	84,5
X1100H20-24	1.1/4	31.8	20	1.1/2	63.5	98	90
X1100H24-24	1.1/2	38.1	24	1.1/2	63.5	114	101
X1100H24-32	1.1/2	38.1	24	2	79.4	115	115
X1100H32-32	2	50.8	32	2	79.4	124	138

# X1200H

## Flangia 45° SAE 6000 PSI



Part number	Hose I.D.		Dimensions				
			dash	Flange		Cut-Off	Drop
	in	mm	size	T	mm	C	H
X1200H12-12	3/4	19.0	12	3/4	41.3	85	28
X1200H12-16	3/4	19.0	12	1	47.6	88	34
X1200H16-12	1	25.4	16	3/4	41.3	107	35
X1200H16-16	1	25.4	16	1	47.6	112	34
X1200H16-20	1	25.4	16	1.1/4	54	117	40
X1200H20-16	1.1/4	31.8	20	1	47.6	117	42
X1200H20-20	1.1/4	31.8	20	1.1/4	54	139	43
X1200H20-24	1.1/4	31.8	20	1.1/2	63.5	144	48
X1200H24-24	1.1/2	38.1	24	1.1/2	63.5	167	50
X1200H24-32	1.1/2	38.1	24	2	79.4	166	64
X1200H32-32	2	50.8	32	2	79.4	200	72

## Analytical Index

X0001.....	10	X0902.....	30
X001C.....	8	X0950.....	31
X0002.....	11	X0950H.....	70
X0003.....	12	X0951.....	30
X004H.....	15	X0952.....	31
X004N.....	66	X1000.....	32
X0007.....	13	X1000H.....	71
X0008.....	13	X1001.....	32
X0009.....	14	X1002.....	33
X0013.....	66	X1050H.....	76
X0022.....	9	X1060.....	57
X0035.....	35	X1100H.....	79
X0050H.....	68	X1110.....	60
X0051.....	18	X1150H.....	77
X0052.....	19	X1160.....	58
X0061.....	16	X1200H.....	80
X0062.....	16	X1210.....	61
X0084.....	43	X1250H.....	76
X0084H.....	72	X1260.....	56
X0085.....	38	X1300H.....	78
X0085.....	39	X1310.....	59
X0135.....	36	X1350.....	46
X0150.....	20	X1400.....	25
X0150H.....	68	X1600.....	26
X0151.....	20	X1600-00.....	25
X0152.....	21	X1650.....	47
X0184.....	44	XBMC1.....	11
X0184H.....	72	XBMC2.....	12
X0185.....	40	XD050.....	62
X0185.....	40	XFK50.....	51
X0235.....	36	XPTFE.....	14
X0250.....	22	XS003.....	58
X0250H.....	69	XS05TH.....	74
X0251.....	22	XS006.....	62
X0252.....	23	XS050.....	53
X0284.....	45	XS050H.....	73
X0284H.....	73	XS150.....	54
X0285.....	41	XS150H.....	74
X0285.....	41	XS250.....	55
X0345.....	15	XS250H.....	75
X0350.....	17	XS350.....	52
X0350H.....	67	XS350H.....	75
X0360.....	24		
X0370.....	27		
X0370H.....	67		
X0400.....	34		
X0450.....	42		
X0450H.....	71		
X0500.....	37		
X0550.....	48		
X0650.....	49		
X0750.....	50		
X0850.....	28		
X0850H.....	69		
X0900H.....	70		
X0901.....	29		





# INTERPUMP

FLUID SOLUTIONS 

Powered by I.M.M. Hydraulics



**I.M.M. Hydraulics Spa**  
[interpumpfluidsolutions.com](http://interpumpfluidsolutions.com)

Via Italia, 49-51  
66041 - Atessa (Ch) - Italy  
T. +39 (0) 0872 889225  
F. +39 (0) 0872 889226

