

BSP

in



1700



Union

6

1800



Male-Male Reducing

7

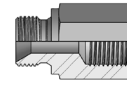
R605



Male-Female Reducing

8

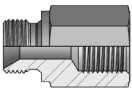
2000



Male-Female Union

9

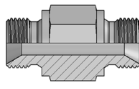
2010



Male-Female Reducing

10

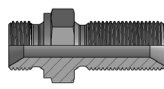
2020



Union

11

A108



Bulkhead Union

12

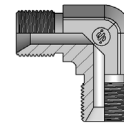
A107



Bulkhead locknut

13

4520



90° Elbow Union

14

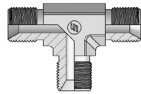
4530



45° Elbow Union

15

4730



Union Tee

16

4900



Union Cross

17



4910

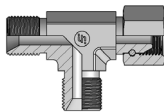


Union Cross

18



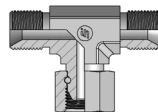
4700



Run Tee Swivel Connector

19

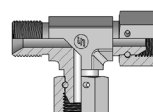
4710



Branch Tee Swivel Connector

20

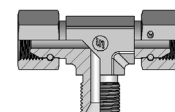
4800



Run Tee Swivel Connector

21

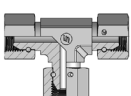
4810



Branch Tee Swivel Connector

22

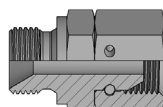
4720



Union Tee

23

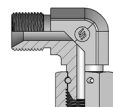
2350



Swivel Connector

24

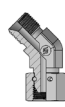
4500



90° Swivel Elbow

25

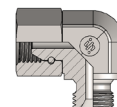
4510



45° Swivel Elbow

26

3220



90° Comp. Swivel elbow

27

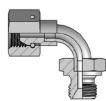
3320



45° Comp. Swivel elbow

28

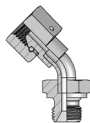
2550



90° Welded Swivel Elbow

29

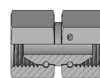
2650



45° Swivel Elbow

30

2450



Swivel Connector

31

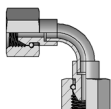
4550



90° Swivel Elbow

32

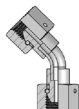
2750



90° Welded Swivel Elbow

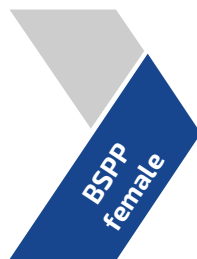
33

2850



45° Welded Swivel Elbow

34



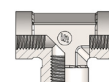
4570



90° Elbow Union

35

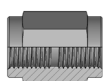
4820



Union Tee

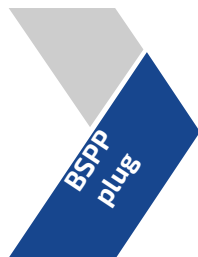
36

A105



Union

37



A608



Swivel Plug

38

A604



Female Plug

39

A605



Male Plug

40



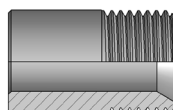
MG



Male End

41

220C



Male End

42

2200

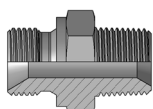


Threaded Sleeve

43



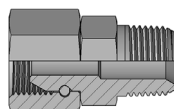
1865



Male Connector

44

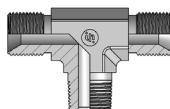
2360



Swivel Connector

45

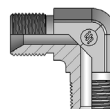
4860



Branch Tee Connector

46

4620



90° Elbow Connector

47

4630



45° Elbow Connector

48

4600



90° Swivel Elbow

49

4610

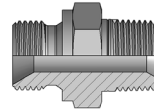


45° Swivel Elbow

50



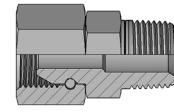
1875



Male Connector

51

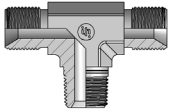
2365



Swivel Connector

52

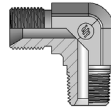
4870



Branch Tee Connector

53

4670



90° Elbow Connector

54

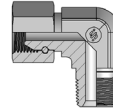
4680



45° Elbow Connector

55

4650

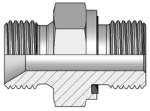


90° Swivel Elbow

56



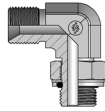
1700E



Male Connector(ED)

57

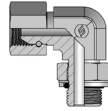
3900



Adjustable 90° Elbow

58

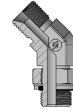
3255



Adjustable 90° Elbow

59

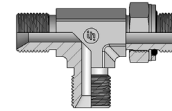
3950



Adjustable 45° Elbow

60

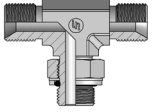
3600



Adjustable Run Tee

61

3605

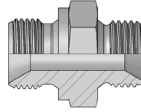


Adjustable Branch Tee

62



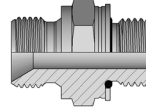
1805



Male Connector

63

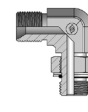
3510



Male Connector

64

3910



Adjustable 90° Elbow

65

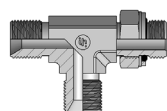
3410



Adjustable 45° Elbow

66

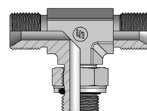
3610



Adjustable Run Tee

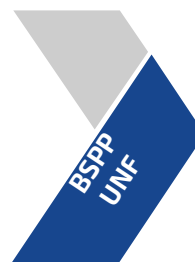
67

3615

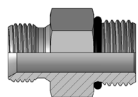


Adjustable Branch Tee

68



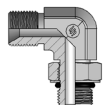
3520



Male Connector

69

3920



Adjustable 90° Elbow

70

3420



Adjustable 45° Elbow

71

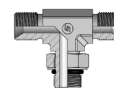
3620



Adjustable Run Tee

72

3625

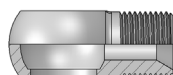


Adjustable Branch Tee

73



1550



BSP Threaded

74

1560



BSP Threaded

75

1450

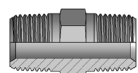


Weldable BSP

76



1860



Male Union

77

4626



90° Elbow Union

78

4625

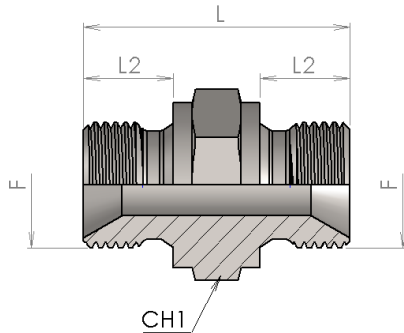


90° Elbow F BSPP

79

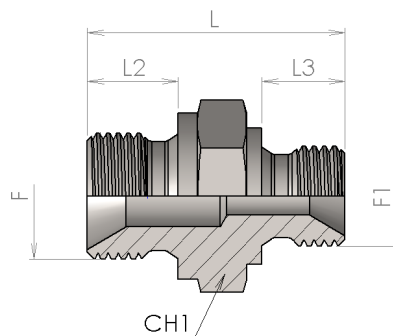
Unione diretto maschio BSP (ISO 8434-6)

S



Part number	Dimensions						Weight kg/unit
	Ø		F	L	L2	CH1	
	tube mm	tube inch					
1700-02-02	6	1/4"	G 1/8	24.0	8.0	14	0.015
1700-04-04	8	5/16"	G 1/4	32.0	11.0	19	0.032
1700-06-06	10	3/8"	G 3/8	35.5	12.0	22	0.051
1700-08-08	12	1/2"	G 1/2	41.5	14.0	27	0.089
1700-10-10	16	5/8"	G 5/8	46.0	16.0	30	0.115
1700-12-12	20	3/4"	G 3/4	47.0	16.0	32	0.136
1700-16-16	25	1"	G 1	53.0	19.0	41	0.230
1700-20-20	32	1.1/4"	G 1 1/4	57.0	20.0	50	0.365
1700-24-24	38	1.1/2"	G 1 1/2	62.0	22.0	55	0.456
1700-32-32	50	2"	G 2	71.0	25.0	70	0.783

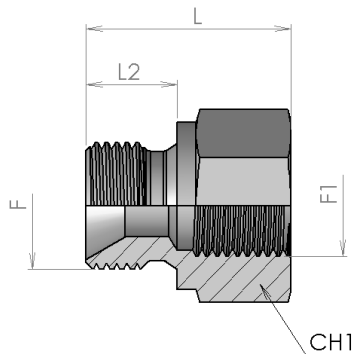
Riduzione diritto maschio BSP (ISO 8434-6)

S


Part number	Dimensions								Weight kg/unit
	Ø		F	F1	L	L2	L3	CH1	
	tube mm	tube inch							
1800-04-02	8-6	5/16"-1/4"	G 1/4	G 1/8	28.5	11.0	8	19	0.028
1800-06-02	10-6	3/8"-1/4"	G 3/8	G 1/8	31.0	12.0	8	22	0.041
1800-06-04	10-8	3/8"-5/16"	G 3/8	G 1/4	34.0	12.0	11	22	0.045
1800-08-04	12-8	1/2"-5/16"	G 1/2	G 1/4	37.5	14.0	11	27	0.072
1800-08-06	12-10	1/2"-3/8"	G 1/2	G 3/8	39.5	14.0	12	27	0.080
1800-10-08	16-12	5/8"-1/2"	G 5/8	G 1/2	41.0	16.0	14	30	0.097
1800-12-04	20-8	3/4"-5/16"	G 3/4	G 1/4	40.0	16.0	11	32	0.105
1800-12-06	20-10	3/4"-3/8"	G 3/4	G 3/8	43.0	16.0	12	32	0.118
1800-12-08	20-12	3/4"-1/2"	G 3/4	G 1/2	45.0	16.0	14	32	0.134
1800-12-10	20-16	3/4"-5/8"	G 3/4	G 5/8	46.0	16.0	16	32	0.126
1800-16-06	25-10	1"-3/8"	G 1	G 3/8	45.5	19.0	12	41	0.174
1800-16-08	25-12	1"-1/2"	G 1	G 1/2	48.0	19.0	14	41	0.185
1800-16-10	25-16	1"-5/8"	G 1	G 5/8	49.0	19.0	16	41	0.192
1800-16-12	25-20	1"-3/4"	G 1	G 3/4	49.0	19.0	16	41	0.190
1800-20-12	32-20	1.1/4"-3/4"	G 1 1/4	G 3/4	54.0	20.0	16	50	0.320
1800-20-16	32-25	1.1/4"-1"	G 1 1/4	G 1	55.0	20.0	19	50	0.323
1800-24-12	38-20	1.1/2"-3/4"	G 1 1/2	G 3/4	54.0	22.0	16	55	0.410
1800-24-16	38-25	1.1/2"-1"	G 1 1/2	G 1	59.0	22.0	19	55	0.414
1800-24-20	38-32	1.1/2"-1.1/4"	G 1 1/2	G 1 1/4	60.0	22.0	20	55	0.600
1800-32-16	50-25	2"-1"	G 2	G 1	64.0	22.0	19	70	0.612
1800-32-20	50-32	2"-1.1/4"	G 2	G 1 1/4	65.5	25.0	20	70	0.720
1800-32-24	50-38	2"-1.1/2"	G 2	G 1 1/2	67.5	25.0	22	70	0.735

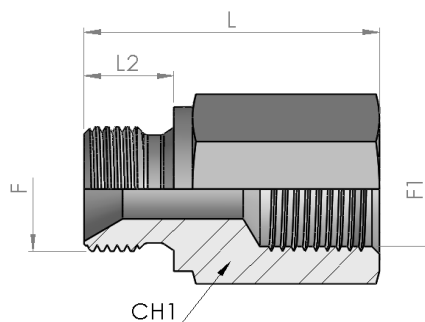
Riduzione Maschio-Femmina corta (ISO 8434-6)

S



Part number	Dimensions							Weight kg/unit
	Ø		F	F1	L	L2	CH1	
	tube mm	tube inch						
R605-04-02	8-6	5/16"-1/4"	G 1/4	G 1/8	23.0	11.0	19	0.026
R605-06-02	10-6	3/8"-1/4"	G 3/8	G 1/4	21.5	12.0	22	0.036
R605-06-04	10-8	3/8"-5/16"	G 3/8	G 1/4	27.0	12.0	22	0.045
R605-08-04	12-8	1/2"-5/16"	G 1/2	G 1/4	25.0	14.0	27	0.053
R605-08-06	12-10	1/2"-3/8"	G 1/2	G 3/8	28.5	14.0	27	0.058
R605-12-04	20-8	3/4"-5/16"	G 3/4	G 1/4	27.0	16.0	32	0.101
R605-12-06	20-10	3/4"-3/8"	G 3/4	G 3/8	27.0	16.0	32	0.091
R605-12-08	20-12	3/4"-1/2"	G 3/4	G 1/2	33.0	16.0	32	0.072
R605-16-06	25-10	1"-3/8"	G 1	G 3/8	30.0	19.0	41	0.173
R605-16-08	25-12	1"-1/2"	G 1	G 1/2	30.0	19.0	41	0.152
R605-16-12	25-20	1"-3/4"	G 1	G 3/4	30.0	19.0	41	0.131
R605-20-12	32-20	1.1/4"-3/4"	G 1 1/4	G 3/4	34.0	20.0	50	0.271
R605-20-16	32-25	1.1/4"-1"	G 1 1/4	G 1	34.0	20.0	50	0.223
R605-24-12	38-20	1.1/2"-3/4"	G 1 1/2	G 3/4	39.0	22.0	55	0.407
R605-24-16	38-25	1.1/2"-1"	G 1 1/2	G 1	35.0	22.0	55	0.316
R605-24-20	38-32	1.1/2"-1.1/4"	G 1 1/2	G 1 1/4	39.0	22.0	55	0.225
R605-32-20	50-32	2"-1.1/4"	G 2	G 1 1/4	42.5	25.0	70	0.632
R605-32-24	50-38	2"-1.1/2"	G 2	G 1 1/2	42.5	25.0	70	0.521

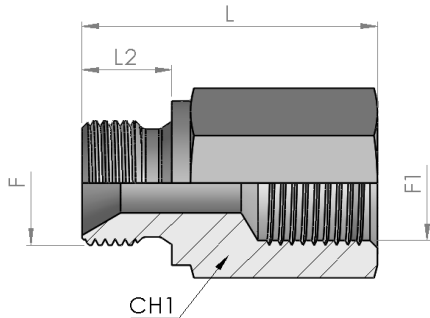
Colonna Maschio-Femmina (ISO 8434-6)

S


Part number	Dimensions							Weight kg/unit
	Ø		F	F1	L	L2	CH1	
	tube mm	tube inch						
2000-02-26	6	1/4"	G 1/8	G 1/8	26.0	8.0	14	0.019
2000-04-33	8	5/16"	G 1/4	G 1/4	33.0	11.0	19	0.041
2000-04-42	8	5/16"	G 1/4	G 1/4	42.0	11.0	19	0.060
2000-04-55	8	5/16"	G 1/4	G 1/4	55.0	11.0	19	0.077
2000-06-35	10	3/8"	G 3/8	G 3/8	35.0	12.0	22	0.052
2000-06-54	10	3/8"	G 3/8	G 3/8	54.0	12.0	22	0.086
2000-06-65	10	3/8"	G 3/8	G 3/8	65.0	12.0	22	0.113
2000-08-35	12	1/2"	G 1/2	G 1/2	35.0	14.0	27	0.073
2000-08-45	12	1/2"	G 1/2	G 1/2	45.0	14.0	27	0.103
2000-08-60	12	1/2"	G 1/2	G 1/2	60.0	14.0	27	0.141
2000-08-80	12	1/2"	G 1/2	G 1/2	80.0	14.0	27	0.197
2000-12-48	20	3/4"	G 3/4	G 3/4	48.0	16.0	32	0.137
2000-12-64	20	3/4"	G 3/4	G 3/4	64.0	16.0	32	0.189
2000-12-75	20	3/4"	G 3/4	G 3/4	75.0	16.0	32	0.250
2000-16-50	25	1"	G 1	G 1	50.0	19.0	41	0.219
2000-16-90	25	1"	G 1	G 1	90.0	19.0	41	0.565
2000-20-62	32	1.1/4"	G 1 1/4	G 1 1/4	62.0	20.0	50	0.408

Riduzione Maschio-Femmina (ISO 8434-6)

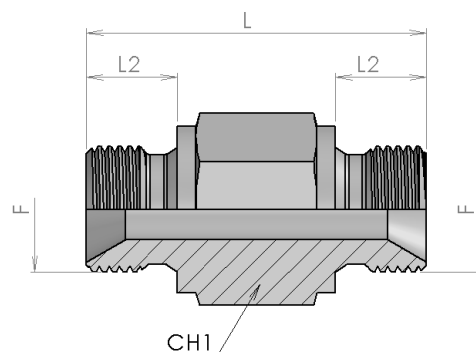
S



Part number	Dimensions						Weight kg/unit	
	Ø		F	F1	L	L2		CH1
	tube mm	tube inch						
2010-02-04	6-8	1/4"-5/16"	G 1/4	G 1/8	25.0	11.0	19	0.034
2010-04-02	8-6	5/16"-1/4"	G 1/8	G 1/4	29.0	8.0	19	39.000
2010-04-06	8-10	5/16"-3/8"	G 3/8	G 1/4	35.0	12.0	22	0.066
2010-04-08	8-12	5/16"-1/2"	G 1/2	G 1/4	34.0	14.0	27	0.078
2010-06-04	10-8	3/8"-5/16"	G 1/4	G 3/8	36.0	11.0	22	0.050
2010-06-08	10-12	3/8"-1/2"	G 1/2	G 3/8	41.0	14.0	27	0.111
2010-08-04	12-8	1/2"-5/16"	G 1/4	G 1/2	35.0	11.0	27	0.071
2010-08-06	12-10	1/2"-3/8"	G 3/8	G 1/2	38.0	12.0	27	0.083
2010-08-12	12-20	1/2"-3/4"	G 3/4	G 1/2	43.0	16.0	32	0.162
2010-08-16	12-25	1/2"-1"	G 1	G 1/2	42.0	19.0	41	0.260
2010-12-04	20-8	3/4"-5/16"	G 1/4	G 3/4	41.0	11.0	32	0.113
2010-12-06	20-10	3/4"-3/8"	G 3/8	G 3/4	42.5	12.0	32	0.122
2010-12-08	20-12	3/4"-1/2"	G 1/2	G 3/4	53.0	14.0	32	0.148
2010-12-16	20-25	3/4"-1"	G 1	G 3/4	49.0	19.0	41	0.167
2010-16-08	25-12	1"-1/2"	G 1/2	G 1	45.0	14.0	41	0.181
2010-16-12	25-20	1"-3/4"	G 3/4	G 1	47.0	16.0	41	0.214
2010-16-20	25-32	1"-1.1/4"	G 1 1/4	G 1	51.0	20.0	50	0.254
2010-20-12	32-20	1.1/4"-3/4"	G 3/4	G 1 1/4	51.0	16.0	50	0.275
2010-20-16	32-25	1.1/4"-1"	G 1	G 1 1/4	53.0	19.0	50	0.298
2010-20-24	32-38	1.1/4"-1.1/2"	G 1 1/2	G 1 1/4	57.0	22.0	55	0.341
2010-24-16	38-25	1.1/2"-1"	G 1	G 1 1/2	54.0	19.0	55	0.355
2010-24-20	38-32	1.1/2"-1.1/4"	G 1 1/4	G 1 1/2	52.0	20.0	55	0.557
2010-32-20	50-32	2"-1.1/4"	G 1 1/4	G 2	66.0	20.0	70	0.807
2010-32-24	50-38	2"-1.1/2"	G 1 1/2	G 2	68.0	22.0	70	0.852

**Prolunga unione diretto
maschio BSP
(ISO 8434-6)**

S

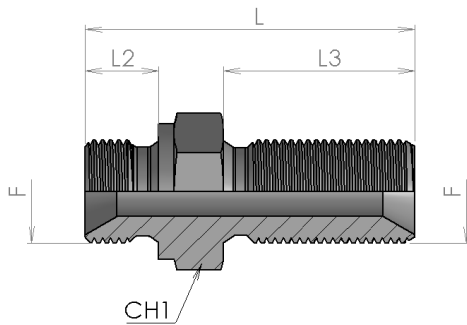


Part number	Dimensions						Weight kg/unit
	Ø		F	L	L2	CH1	
	tube mm	tube inch					
2020-04-04	8	5/16"	G 1/4	45.0	11.0	19	0.062
2020-06-06	10	3/8"	G 3/8	50.0	12.0	22	0.122
2020-08-08	12	1/2"	G 1/2	61.0	14.0	27	0.195
2020-12-12	20	3/4"	G 3/4	73.0	16.0	32	0.248
2020-16-16	25	1"	G 1	84.0	19.0	41	0.480

A108

Passaparete dritto BSP (ISO 8434-6)

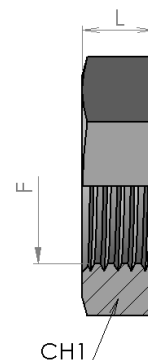
BHS



Part number	Dimensions							Weight kg/unit
	Ø		F	L	L1	L2	CH1	
	tube mm	tube inch						
A108-02Z	6	1/4"	G 1/8	34.5	25	8.0	14	0.020
A108-04Z	8	5/16"	G 1/4	46.0	29	11.0	19	0.057
A108-06Z	10	3/8"	G 3/8	53.5	31	12.0	22	0.084
A108-08Z	12	1/2"	G 1/2	60.0	34	14.0	27	0.122
A108-10Z	16	5/8"	G 5/8	65.0	37	16.0	30	0.146
A108-12Z	20	3/4"	G 3/4	66.0	37	16.0	32	0.209
A108-16Z	25	1"	G 1	73.0	41	19.0	41	0.328
A108-20Z	32	1.1/4"	G 1 1/4	79.0	45	20.0	50	0.507

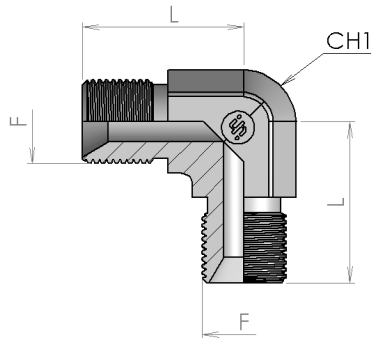
Controdado per passaparete

LN



Part number	Dimensions					Weight kg/unit
	Ø		F	L	CH1	
	tube mm	tube inch				
A107-02	6	1/4"	G 1/8	5.0	14	0.004
A107-04	8	5/16"	G 1/4	6.0	19	0.009
A107-06	10	3/8"	G 3/8	7.0	22	0.013
A107-08	12	1/2"	G 1/2	8.0	27	0.021
A107-10	16	5/8"	G 5/8	9.0	30	0.027
A107-12	20	3/4"	G 3/4	9.0	32	0.029
A107-16	25	1"	G 1	10.0	41	0.055
A107-20	32	1.1/4"	G 1 1/4	13.0	50	0.089

Unione a 90° maschio BSP (ISO 8434-6)

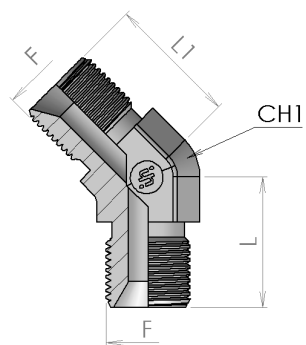


E

Part number	Dimensions					Weight kg/unit
	Ø		F	L1	CH1	
	tube mm	tube inch				
4520-02	6	1/4"	G 1/8	22	12	0.021
4520-04	8	5/16"	G 1/4	27	14	0.045
4520-06	10	3/8"	G 3/8	32	19	0.085
4520-08	12	1/2"	G 1/2	36	22	0.123
4520-12	20	3/4"	G 3/4	42	27	0.178
4520-16	25	1"	G 1	46	33	0.288
4520-20	32	1.1/4"	G 1 1/4	52	41	0.512
4520-24	38	1.1/2"	G 1 1/2	59	50	0.824

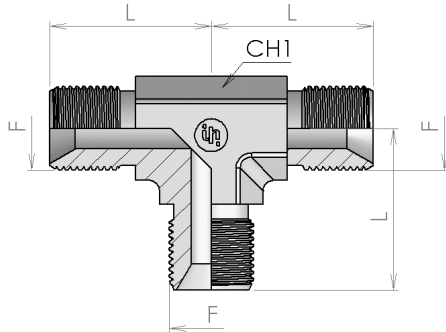
Unione a 45° maschio BSP (ISO 8434-6)

E45



Part number	Dimensions						Weight kg/unit
	Ø		F	L	L1	CH1	
	tube mm	tube inch					
4530-04	8	5/16"	G 1/4	21.5	21.5	14	0.045
4530-06	10	3/8"	G 3/8	26.0	26	19	0.085
4530-08	12	1/2"	G 1/2	30.0	29	22	0.123
4530-12	20	3/4"	G 3/4	35.0	33	27	0.178
4530-16	25	1"	G 1	38.5	37.5	33	0.288

Unione a T maschio BSP (ISO 8434-6)

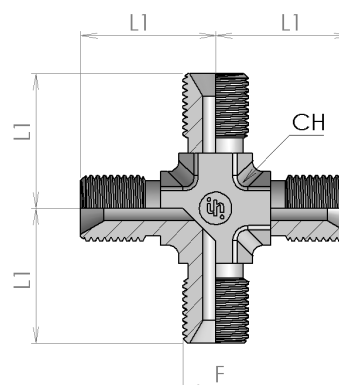


T

Part number	Dimensions					Weight kg/unit
	Ø		F	L1	CH1	
	tube mm	tube inch				
4730-02	6	1/4"	G 1/8	22	12	0.033
4730-04	8	5/16"	G 1/4	27	14	0.061
4730-06	10	3/8"	G 3/8	32	19	0.105
4730-08	12	1/2"	G 1/2	36	22	0.157
4730-12	20	3/4"	G 3/4	42	27	0.258
4730-16	25	1"	G 1	46	33	0.591
4730-20	32	1.1/4"	G 1 1/4	52	41	0.646
4730-24	38	1.1/2"	G 1 1/2	59	50	0.940

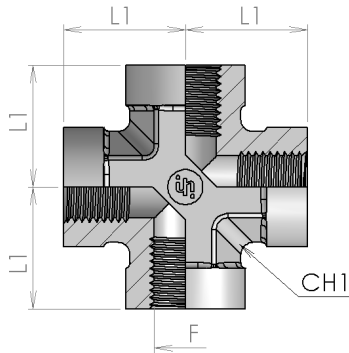
Unione a croce maschio BSP (ISO 8434-6)

K



Part number	Dimensions					Weight kg/unit
	Ø		F	L1	CH1	
	tube mm	tube inch				
4900-04	8	5/16"	G 1/4	27	14	0.081
4900-06	10	3/8"	G 3/8	32	19	0.130
4900-08	12	1/2"	G 1/2	36	22	0.181
4900-12	20	3/4"	G 3/4	42	27	0.312

Unione a croce femmina BSP

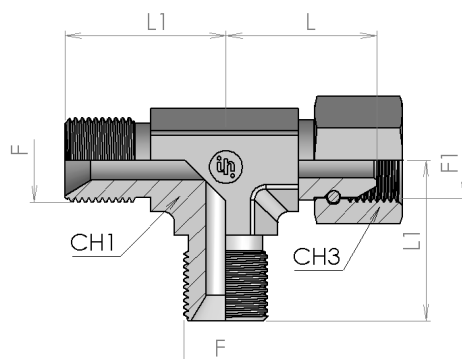


K

Part number	Dimensions					Weight kg/unit
	Ø		F	L1	CH1	
	tube mm	tube inch				
4910-02	6	1/4"	G 1/8	17	14	0.045
4910-04	8	5/16"	G 1/4	22.5	19	0.113
4910-06	10	3/8"	G 3/8	26	22	0.154
4910-08	12	1/2"	G 1/2	31	27	0.257

Girevole a T laterale F/M BSP (8434-6)

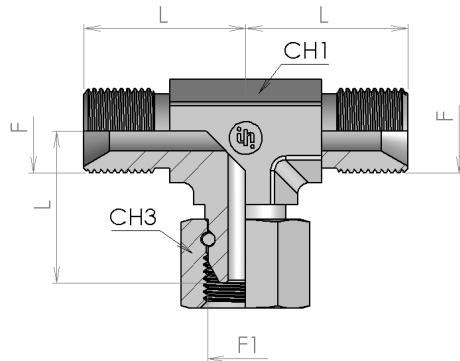
SWRT



Part number	Dimensions								Weight kg/unit
	Ø		F	F1	L	L1	CH1	CH3	
	tube mm	tube inch							
4700-02	6	1/4"	G 1/8	G 1/8	20.0	22	12	14	0.057
4700-04	8	5/16"	G 1/4	G 1/4	25.0	27	14	19	0.084
4700-06	10	3/8"	G 3/8	G 3/8	30.0	32	19	22	0.152
4700-08	12	1/2"	G 1/2	G 1/2	34.0	36	22	27	0.231
4700-12	20	3/4"	G 3/4	G 3/4	40.0	42	27	32	0.305
4700-16	25	1"	G 1	G 1	43.0	46	33	41	0.474
4700-20	32	1.1/4"	G 1 1/4	G 1 1/4	49.0	52	41	50	0.935
4700-24	38	1.1/2"	G 1 1/2	G 1 1/2	60.0	59	50	55	1.427

Girevole a T centrale F/M BSP (8434-6)

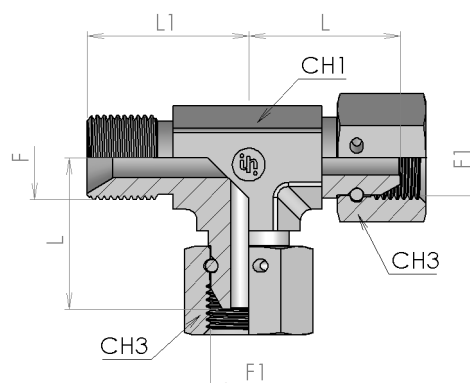
SWBT



Part number	Dimensions								Weight kg/unit
	Ø		F	F1	L	L1	CH1	CH3	
	tube mm	tube inch							
4710-02	6	1/4"	G 1/8	G 1/8	20.0	22	12	14	0.057
4710-04	8	5/16"	G 1/4	G 1/4	25.0	27	14	19	0.084
4710-06	10	3/8"	G 3/8	G 3/8	30.0	32	19	22	0.152
4710-08	12	1/2"	G 1/2	G 1/2	34.0	36	22	27	0.231
4710-12	20	3/4"	G 3/4	G 3/4	40.0	42	27	32	0.305
4710-16	25	1"	G 1	G 1	43.0	46	33	41	0.474
4710-20	32	1.1/4"	G 1 1/4	G 1 1/4	49.0	52	41	50	0.935
4710-24	38	1.1/2"	G 1 1/2	G 1 1/2	60.0	59	50	55	1.427

Girevole a T con maschio laterale F/M BSP (8434-6)

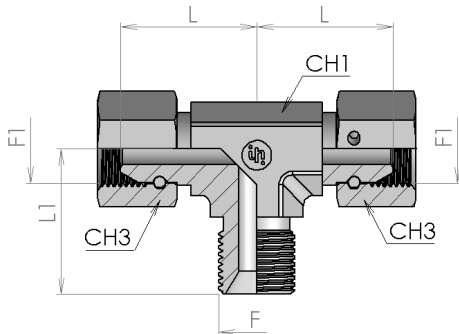
SWRT



Part number	Dimensions								Weight kg/unit
	Ø		F	F1	L	L1	CH1	CH3	
	tube mm	tube inch							
4800-04	8	5/16"	G 1/4	G 1/4	25.0	27	14	19	0.106
4800-06	10	3/8"	G 3/8	G 3/8	30.0	32	19	22	0.182
4800-08	12	1/2"	G 1/2	G 1/2	34.0	36	22	27	0.281
4800-12	20	3/4"	G 3/4	G 3/4	40.0	42	27	32	0.376
4800-16	25	1"	G 1	G 1	43.0	46	33	41	0.565

Girevole a T con maschio centrale F/M BSP (8434-6)

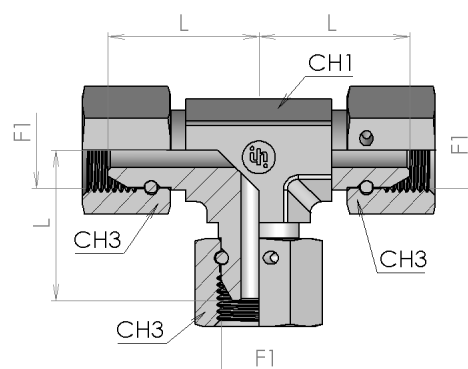
SWBT



Part number	Dimensions								Weight kg/unit
	Ø		F	F1	L	L1	CH1	CH3	
	tube mm	tube inch							
4810-04	8	5/16"	G 1/4	G 1/4	25.0	27	14	19	0.106
4810-06	10	3/8"	G 3/8	G 3/8	30.0	32	19	22	0.182
4810-08	12	1/2"	G 1/2	G 1/2	34.0	36	22	27	0.281
4810-12	20	3/4"	G 3/4	G 3/4	40.0	42	27	32	0.376
4810-16	25	1"	G 1	G 1	43.0	46	33	41	0.565

Unione a T girevole BSP (ISO 8434-6)

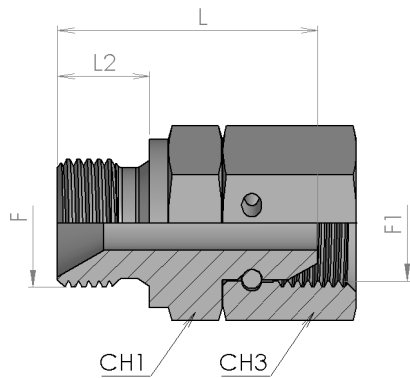
T



Part number	Dimensions						Weight kg/unit
	Ø		F1	L1	CH1	CH3	
	tube mm	tube inch					
4720-02	6	1/4"	G 1/8	22	12	14	0.058
4720-04	8	5/16"	G 1/4	27	14	19	0.125
4720-06	10	3/8"	G 3/8	32	19	22	0.296
4720-08	12	1/2"	G 1/2	36	22	27	0.324
4720-12	20	3/4"	G 3/4	42	27	32	0.483
4720-16	25	1"	G 1	46	33	41	0.699
4720-20	32	1.1/4"	G 1 1/4	52	41	50	1.294
4720-24	38	1.1/2"	G 1 1/2	59	50	55	1.832

Terminale dritto di riduzione F/M BSP (ISO 8434-6)

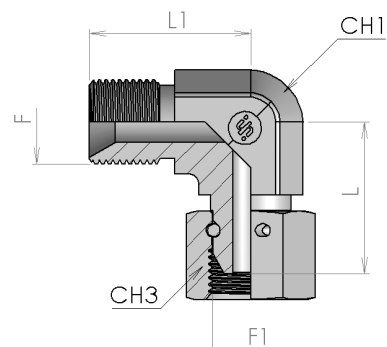
RDSW



Part number	Dimensions								Weight kg/unit
	Ø		F	F1	L	L2	CHI	CH3	
	tube mm	tube inch							
2350-02-02	6	1/4"	G 1/8	G 1/8	23.0	8.0	14	14	0.030
2350-04-04	8	5/16"	G 1/4	G 1/4	29.0	11.0	19	19	0.049
2350-04-06	8-10	5/16"-3/8"	G 1/4	G 3/8	31.5	11.0	19	22	0.064
2350-06-04	10-8	3/8"-5/16"	G 3/8	G 1/4	31.5	12.0	22	19	0.061
2350-06-06	10	3/8"	G 3/8	G 3/8	34.0	12.0	22	22	0.076
2350-06-08	10-12	3/8"-1/2"	G 3/8	G 1/2	36.0	12.0	22	27	0.105
2350-06-12	10-20	3/8"-3/4"	G 3/8	G 3/4	39.0	12.0	27	32	0.145
2350-08-06	12-10	1/2"-3/8"	G 1/2	G 3/8	37.5	14.0	27	22	0.099
2350-08-08	12	1/2"	G 1/2	G 1/2	39.5	14.0	27	27	0.128
2350-08-10	12-16	1/2"-5/8"	G 1/2	G 5/8	37.0	14.0	27	30	0.160
2350-08-12	12-20	1/2"-3/4"	G 1/2	G 3/4	40.0	14.0	27	32	0.152
2350-10-10	16	5/8"	G 5/8	G 5/8	39.0	16.0	30	30	0.164
2350-12-08	20-12	3/4"-1/2"	G 3/4	G 1/2	39.0	16.0	32	27	0.161
2350-12-12	20	3/4"	G 3/4	G 3/4	43.5	16.0	32	32	0.188
2350-12-16	20-25	3/4"-1"	G 3/4	G 1	44.0	16.0	32	38	0.214
2350-16-12	25-20	1"-3/4"	G 1	G 3/4	47.5	19.0	41	32	0.258
2350-16-16	25	1"	G 1	G 1	48.0	19.0	41	41	0.279
2350-16-20	25-32	1"-1.1/4"	G 1	G 1 1/4	50.5	19.0	41	50	0.426
2350-20-20	32	1.1/4"	G 1 1/4	G 1 1/4	54.5	20.0	50	50	0.536
2350-24-20	38-32	1.1/2"-1.1/4"	G 1 1/2	G 1 1/4	55.5	22.0	55	50	0.587
2350-24-24	38	1.1/2"	G 1 1/2	G 1 1/2	57.5	22.0	55	55	0.619
2350-32-32	50	2"	G 2	G 2	62.5	25.0	70	70	0.781

Girevole a 90° F/M BSP (ISO 8434-6)

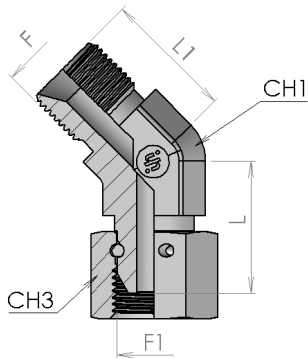
SWE



Part number	Dimensions								Weight kg/unit
	Ø		F	F1	L	L1	CH1	CH3	
	tube mm	tube inch							
4500-02	6	1/4"	G 1/8	G 1/8	20.0	22	12	14	0.026
4500-04	8	5/16"	G 1/4	G 1/4	25.0	27	14	19	0.062
4500-06	10	3/8"	G 3/8	G 3/8	30.0	32	19	22	0.104
4500-08	12	1/2"	G 1/2	G 1/2	36.0	34	22	27	0.159
4500-10	16	5/8"	G 5/8	G 5/8	36.0	36	22	30	0.158
4500-12	20	3/4"	G 3/4	G 3/4	40.0	42	27	32	0.226
4500-16	25	1"	G 1	G 1	43.0	46	33	41	0.377
4500-20	32	1.1/4"	G 1 1/4	G 1 1/4	49.0	52	41	50	0.650
4500-24	38	1.1/2"	G 1 1/2	G 1 1/2	60.0	59	50	55	0.999

Girevole a 45° F/M BSP (ISO 8434-6)

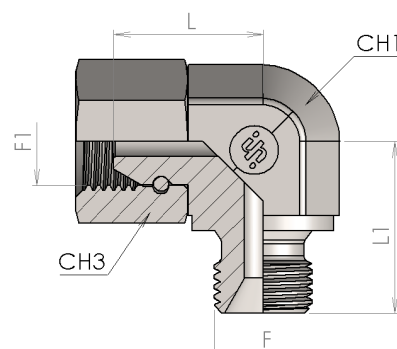
SWE45



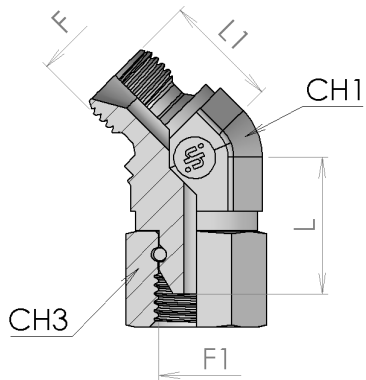
Part number	Dimensions								Weight kg/unit
	Ø		F	F1	L	L1	CH1	CH3	
	tube mm	tube inch							
4510-02	6	1/4"	G 1/8	G 1/8	19.0	20	12	14	0.026
4510-04	8	5/16"	G 1/4	G 1/4	23.5	21.5	14	19	0.062
4510-06	10	3/8"	G 3/8	G 3/8	26.0	26	19	22	0.104
4510-08	12	1/2"	G 1/2	G 1/2	32.0	29	22	27	0.159
4510-12	20	3/4"	G 3/4	G 3/4	33.0	32	27	32	0.226
4510-16	25	1"	G 1	G 1	37.0	37.5	33	41	0.377
4510-20	32	1.1/4"	G 1.1/4	G 1.1/4	37.0	39	41	50	411.000
4510-24	38	1.1/2"	G 1.1/2	G 1.1/2	47.0	46	50	55	649.000

Girevole a 90° F/M BSP versione compatta (ISO 8434-6)

SWE



Part number	Dimensions								Weight kg/unit
	Ø		F	F1	L	L1	CH1	CH3	
	tube mm	tube inch							
3220-02-02	6	1/4"	G 1/8	G 1/8	17.0	17	14	14	0.026
3220-04-04	8	5/16"	G 1/4	G 1/4	20.0	23	19	19	0.061
3220-06-06	10	3/8"	G 3/8	G 3/8	24.0	25	22	22	0.089
3220-08-08	12	1/2"	G 1/2	G 1/2	28.0	31	27	27	0.157
3220-12-12	20	3/4"	G 3/4	G 3/4	34.0	35	33	32	0.293
3220-16-16	25	1"	G 1	G 1	39.0	43	41	41	0.473
3220-20-20	32	1.1/4"	G 1 1/4	G 1 1/4	47.0	50	50	50	0.855
3200-24-24	38	1.1/2"	G 1 1/2	G 1 1/2	57.0	56	60	55	1.170
3200-32-32	50	2"	G 2	G 2	60.0	67	75	70	2.011

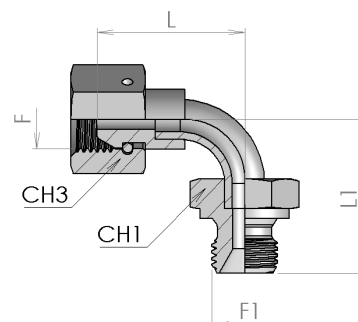


**Girevole a 45° F/M BSP
versione compatta
(ISO 8434-6)**

SWE45

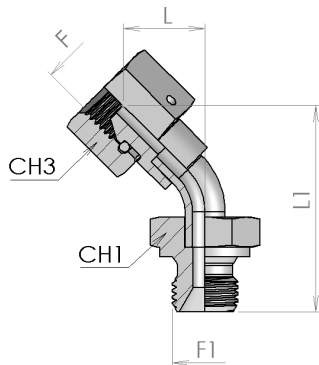
Part number	Dimensions								Weight kg/unit
	Ø		F	F1	L	L1	CH1	CH3	
	tube mm	tube inch							
3320-04-04	8	5/16"	G 1/4	G 1/4	22.5	18	19	19	0.054
3320-06-06	10	3/8"	G 3/8	G 3/8	25.0	21.5	22	22	0.082
3320-08-08	12	1/2"	G 1/2	G 1/2	32.0	22.5	27	27	0.141
3320-12-12	20	3/4"	G 3/4	G 3/4	35.5	31.5	32	32	0.248
3320-16-16	25	1"	G 1	G 1	42.0	33	41	38	0.443

Curva 90° mas/femm. Girevole (saldata)



Part number	Dimensions								Weight kg/unit
	Ø		F	F1	L	L1	CH1	CH3	
	tube mm	tube inch							
2550-04-04	8	5/16"	G 1/4	G 1/4	30.0	32	19	19	0.062
2550-06-06	10	3/8"	G 3/8	G 3/8	37.0	38	22	22	0.102
2550-08-08	12	1/2"	G 1/2	G 1/2	44.0	43	27	27	0.108
2550-12-12	20	3/4"	G 3/4	G 3/4	59.0	62	32	32	0.243
2550-16-16	25	1"	G 1	G 1	66.0	68	41	41	0.422
2550-20-20	32	1.1/4"	G 1 1/4	G 1 1/4	71.0	76	50	50	0.575
2550-24-24	38	1.1/2"	G 1 1/2	G 1 1/2	89.0	93	55	55	0.707
2550-32-32	50	2"	G 2	G 2	113.0	123	70	70	1.626

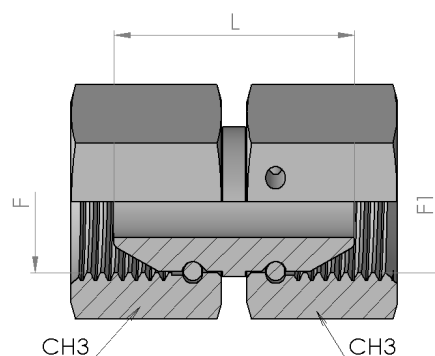
Curva 45° mas/femm. Girevole (saldata)



Part number	Dimensions								Weight kg/unit
	Ø		F	F1	L	L1	CH1	CH3	
	tube mm	tube inch							
2650-04-04	8	5/16"	G 1/4	G 1/4	17.0	44	19	19	0.062
2650-06-06	10	3/8"	G 3/8	G 3/8	20.0	52	22	22	0.102
2650-08-08	12	1/2"	G 1/2	G 1/2	23.0	53	27	27	0.108
2650-12-12	20	3/4"	G 3/4	G 3/4	29.0	73	32	32	0.243
2650-16-16	25	1"	G 1	G 1	35.0	85	41	41	0.422
2650-20-20	32	1.1/4"	G 1 1/4	G 1 1/4	33.0	84	50	50	0.575
2650-24-24	38	1.1/2"	G 1 1/2	G 1 1/2	41.0	103	55	55	0.707
2650-32-32	50	2"	G 2	G 2	53.0	134	65	70	1.626

Unione diritto girevole BSP (ISO 8434-6)

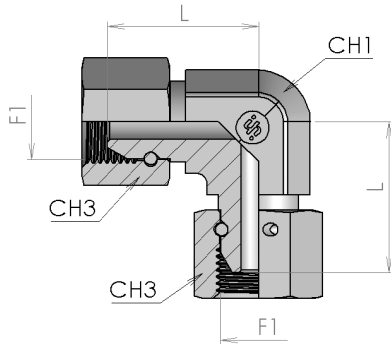
S



Part number	Dimensions						Weight kg/unit
	Ø		F	F1	L	CH3	
	tube mm	tube inch					
2450-02-02	6	1/4"	G 1/8	G 1/8	10.0	14	0.023
2450-04-04	8	5/16"	G 1/4	G 1/4	22.0	19	0.061
2450-06-06	10	3/8"	G 3/8	G 3/8	29.0	22	0.084
2450-08-08	12	1/2"	G 1/2	G 1/2	32.0	27	0.137
2450-10-10	16	5/8"	G 5/8	G 5/8	29.0	30	0.177
2450-12-12	20	3/4"	G 3/4	G 3/4	37.5	32	0.206
2450-16-16	25	1"	G 1	G 1	42.0	41	0.295
2450-20-20	32	1.1/4"	G 1 1/4	G 1 1/4	50.0	50	0.618
2450-24-24	38	1.1/2"	G 1 1/2	G 1 1/2	53.0	55	0.714
2450-32-32	50	2"	G 2	G 2	50.0	70	1.135

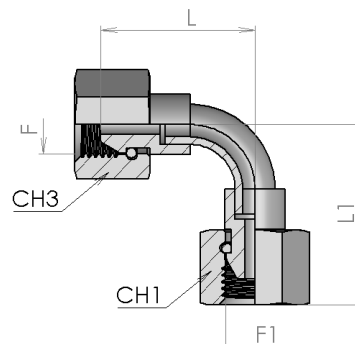
Unione girevole a 90° BSP (ISO 8434-6)

E



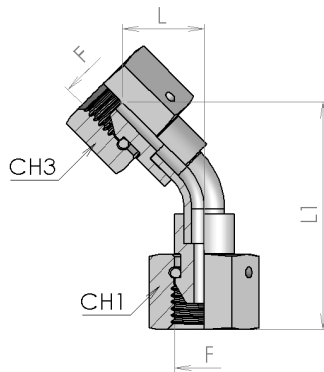
Part number	Dimensions						Weight kg/unit
	Ø		F	L1	CH1	CH3	
	tube mm	tube inch					
4550-04	8	5/16"	G 1/4	25	14	19	0.044
4550-06	10	3/8"	G 3/8	30	19	22	0.088
4550-08	12	1/2"	G 1/2	34	22	27	0.134
4550-12	20	3/4"	G 3/4	40	27	32	0.219
4550-16	25	1"	G 1	43	32	41	0.339
4550-20	32	1.1/4"	G 1 1/4	49	41	50	0.576
4550-24	38	1.1/2"	G 1 1/2	60	50	55	0.978

Curva 90° femmina girevole (saldata)



Part number	Dimensions								Weight kg/unit
	Ø		F	F1	L	L1	CH1	CH3	
	tube mm	tube inch							
2750-04-04	8	5/16"	G 1/4	G 1/4	30.0	35	19	19	0.070
2750-06-06	10	3/8"	G 3/8	G 3/8	37.0	43	22	22	0.107
2750-08-08	12	1/2"	G 1/2	G 1/2	44.0	49	27	27	0.111
2750-12-12	20	3/4"	G 3/4	G 3/4	59.0	67	32	32	0.252
2750-16-16	25	1"	G 1	G 1	66.0	76	38	41	0.431
2750-20-20	32	1.1/4"	G 1 1/4	G 1 1/4	71.0	70	50	50	0.586
2750-24-24	38	1.1/2"	G 1 1/2	G 1 1/2	89.0	98	55	55	0.718
2750-32-32	50	2"	G 2	G 2	113.0	127	70	70	1.711

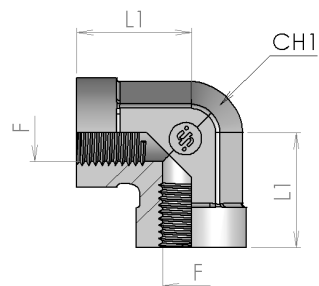
Curva 45° femmina girevole (saldata)



Part number	Dimensions								Weight kg/unit
	Ø		F	F1	L	L1	CH1	CH3	
	tube mm	tube inch							
2850-04-04	8	5/16"	G 1/4	G 1/4	17.0	47	19	19	0.070
2850-06-06	10	3/8"	G 3/8	G 3/8	20.0	57	22	22	0.107
2850-08-08	12	1/2"	G 1/2	G 1/2	23.0	59	27	27	0.111
2850-12-12	20	3/4"	G 3/4	G 3/4	29.0	79	32	32	0.252
2850-16-16	25	1"	G 1	G 1	35.0	93	38	41	0.431
2850-20-20	32	1.1/4"	G 1 1/4	G 1 1/4	33.0	87	50	50	0.586
2850-24-24	38	1.1/2"	G 1 1/2	G 1 1/2	41.0	108	55	55	0.718
2850-32-32	50	2"	G 2	G 2	53.0	139	70	70	1.711

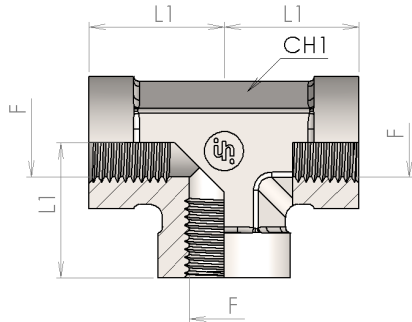
Unione 90° femmina BSP

E



Part number	Dimensions					Weight kg/unit
	Ø		F	L1	CH1	
	tube mm	tube inch				
4570-02	6	1/4"	G 1/8	17	14	0.060
4570-04	8	5/16"	G 1/4	22.5	19	0.081
4570-06	10	3/8"	G 3/8	26	22	0.010
4570-08	12	1/2"	G 1/2	31	27	0.184
4570-12	20	3/4"	G 3/4	34.5	33	0.263
4570-16	25	1"	G 1	41	41	0.502
4570-20	32	1.1/4"	G 1 1/4	43	50	0.663

Unione a T femmina BSP

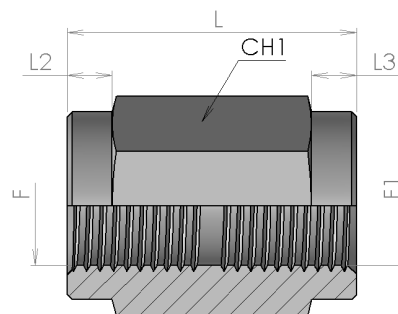


T

Part number	Dimensions					Weight kg/unit
	Ø		F	L1	CH1	
	tube mm	tube inch				
4820-02	6	1/4"	G 1/8	17	14	0.040
4820-04	8	5/16"	G 1/4	22.5	19	0.074
4820-06	10	3/8"	G 3/8	26	22	0.111
4820-08	12	1/2"	G 1/2	31	27	0.177
4820-12	20	3/4"	G 3/4	34.5	33	0.294
4820-16	25	1"	G 1	41	41	0.567
4820-20	32	1.1/4"	G 1 1/4	43	50	0.084

Unione femmina fissa BSP (ISO 8434-6)

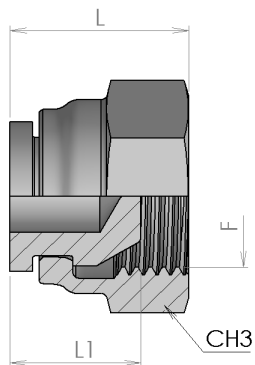
S



Part number	Dimensions								Weight kg/unit
	Ø		F	F1	L	L2	L3	CH1	
	tube mm	tube inch							
A105-02-02	6	1/4"	G 1/8	G 1/8	21.0	4.5	4.5	14	0.015
A105-02-04	6-8	1/4"-5/16"	G 1/8	G 1/4	29.0	4.5	4.5	19	0.029
A105-04-04	8	5/16"	G 1/4	G 1/4	29.0	4.5	4.5	19	0.034
A105-04-06	8-10	5/16"-3/8"	G 1/4	G 3/8	31.0	4.5	4.5	22	0.059
A105-06-06	10	3/8"	G 3/8	G 3/8	29.0	4.5	4.5	22	0.048
A105-06-08	10-12	3/8"-1/2"	G 3/8	G 1/2	32.0	4.5	4.5	27	0.082
A105-08-08	12	1/2"	G 1/2	G 1/2	34.0	4.5	4.5	27	0.081
A105-08-12	12-20	1/2"-3/4"	G 1/2	G 3/4	38.0	4.5	4.5	32	0.126
A105-12-12	20	3/4"	G 3/4	G 3/4	38.0	4.5	4.5	32	0.108
A105-12-16	20-25	3/4"-1"	G 3/4	G 1	43.0	4.5	4.5	41	0.152
A105-16-16	25	1"	G 1	G 1	43.0	4.5	4.5	41	0.211
A105-20-20	32	1.1/4"	G 1 1/4	G 1 1/4	47.0	4.5	4.5	50	0.312
A105-24-24	38	1.1/2"	G 1 1/2	G 1 1/2	51.0	4.5	4.5	55	0.357
A105-32-32	50	2"	G 2	G 2	57.0	4.5	4.5	70	0.591

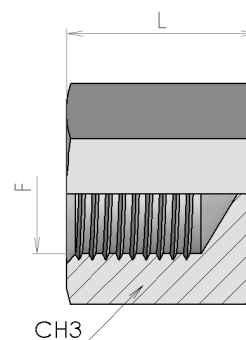
Tappo Femmina Girevole BSP (ISO 8434-6)

BRNP



Part number	Dimensions						Weight kg/unit
	Ø		F	L	L1	CH3	
	tube mm	tube inch					
A608-02	6	1/4"	G 1/8	14.0	10.5	14	0.003
A608-04	8	5/16"	G 1/4	16.0	12	19	0.008
A608-06	10	3/8"	G 3/8	20.0	15	22	0.014
A608-08	12	1/2"	G 1/2	24.0	17	27	0.024
A608-10	16	5/8"	G 5/8	24.0	15	30	0.270
A608-12	20	3/4"	G 3/4	27.0	19	32	0.044
A608-16	25	1"	G 1	31.0	21	41	0.076
A608-20	32	1.1/4"	G 1 1/4	31.0	23.5	50	0.144
A608-24	38	1.1/2"	G 1 1/2	31.0	25.5	55	0.195
A608-32	50	2"	G 2	36.0	23	70	0.286

Tappo BSP

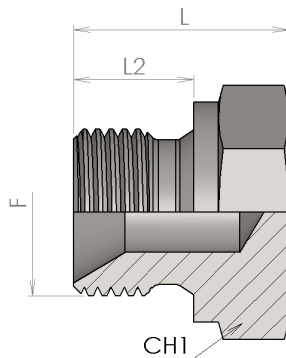


Part number	Dimensions					Weight kg/unit
	Ø		F	L	CH3	
	tube mm	tube inch				
A604-02	6	1/4"	G 1/8	15.5	14	0.017
A604-04	8	5/16"	G 1/4	19.0	19	0.032
A604-06	10	3/8"	G 3/8	17.0	22	0.050
A604-08	12	1/2"	G 1/2	23.0	27	0.070
A604-10	16	5/8"	G 5/8	19.0	30	0.093
A604-12	20	3/4"	G 3/4	22.0	32	0.109
A604-16	25	1"	G 1	31.0	41	0.202
A604-20	32	1.1/4"	G 1 1/4	36.0	50	0.371
A604-24	38	1.1/2"	G 1 1/2	41.0	55	0.494
A604-32	50	2"	G 2	45.5	70	0.881

A605

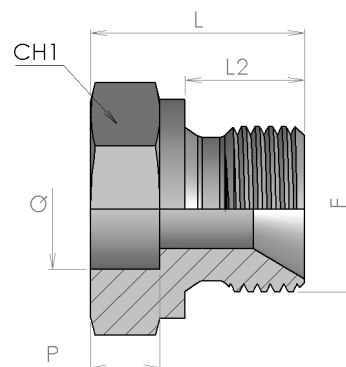
Tappo Maschio BSP (ISO 8434-6)

PL



Part number	Dimensions						Weight kg/unit
	Ø		F	L	L2	CH1	
	tube mm	tube inch					
A605-02	6	1/4"	G 1/8	14.5	8.0	14	0.011
A605-04	8	5/16"	G 1/4	19.0	11.0	19	0.024
A605-06	10	3/8"	G 3/8	21.5	12.0	22	0.039
A605-08	12	1/2"	G 1/2	25.0	14.0	27	0.067
A605-10	16	5/8"	G 5/8	27.0	16.0	30	0.088
A605-12	20	3/4"	G 3/4	27.0	16.0	32	0.098
A605-16	25	1"	G 1	31.0	19.0	41	0.168
A605-20	32	1.1/4"	G 1 1/4	34.0	20.0	50	0.317
A605-24	38	1.1/2"	G 1 1/2	39.0	22.0	55	0.434
A605-32	50	2"	G 2	42.5	25.0	70	0.760

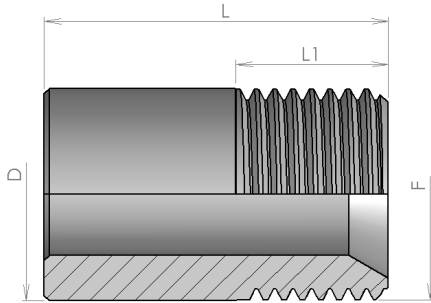
Terminale dritto maschio BSP a saldare con tasca

BRS


Part number	Dimensions								Weight kg/unit
	Ø		F	L	L2	Q	P	CH1	
	tube mm	tube inch							
MG-04-08	8	5/16"	G 1/4	19.0	11.0	8	6	19	0.023
MG-06-12	10	3/8"	G 3/8	21.5	12.0	12	7	22	0.034
MG-08-14	12	1/2"	G 1/2	25.0	14.0	14	8	27	0.057
MG-08-16	12	1/2"	G 1/2	25.0	14.0	16	8	27	0.055
MG-08-18	12	1/2"	G 1/2	25.0	14.0	18	8	27	0.053
MG-08-20	12	1/2"	G 1/2	24.0	14.0	20	5	27	0.051
MG-12-20	20	3/4"	G 3/4	27.0	16.0	20	9	32	0.083
MG-12-22	20	3/4"	G 3/4	27.0	16.0	22	8	32	0.080
MG-12-25	20	3/4"	G 3/4	27.0	16.0	25	9	32	0.070
MG-16-25	25	1"	G 1	30.0	19.0	25	9	41	0.147
MG-16-30	25	1"	G 1	30.0	19.0	30	9	41	0.132
MG-20-32	32	1.1/4"	G 1 1/4	34.0	20.0	32	9	50	0.250
MG-24-38	38	1.1/2"	G 1 1/2	35.0	22.0	38	10	55	0.281

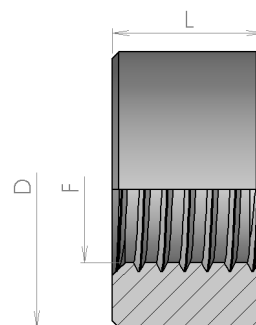
220C

Mezzo nipplo tondo a saldare BSP



Part number	Dimensions						Weight kg/unit
	Ø		F	D	L	L1	
	tube mm	tube inch					
220C-02	6	1/4"	G 1/8	10	22.0	9	0.010
220C-04	8	5/16"	G 1/4	14	30.0	12	0.024
220C-06	10	3/8"	G 3/8	17	32.0	14	0.036
220C-08	12	1/2"	G 1/2	21	34.0	15	0.056
220C-12	20	3/4"	G 3/4	28	40.0	16	0.120
220C-16	25	1"	G 1	34	41.0	19	0.167
220C-20	32	1.1/4"	G 1 1/4	48	50.0	23	0.355

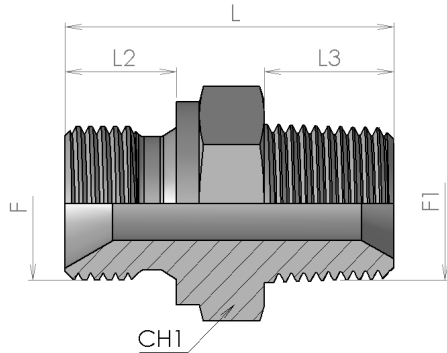
Borchia a saldare



Part number	Dimensions					Weight kg/unit
	Ø		F	D	L	
	tube mm	tube inch				
2200-02	6	1/4"	G 1/8	20	13.0	0.025
2200-04	8	5/16"	G 1/4	22	16.0	0.033
2200-06	10	3/8"	G 3/8	26	17.0	0.045
2200-08	12	1/2"	G 1/2	30	18.0	0.056
2200-12	20	3/4"	G 3/4	38	20.0	0.098
2200-16	25	1"	G 1	45	25.0	0.155
2200-20	32	1.1/4"	G 1 1/4	55	25.0	0.212
2200-24	38	1.1/2"	G 1 1/2	62	30.0	0.310
2200-32	50	2"	G 2	70	30.0	0.272

Terminale diritto M/M BSP-BSPT

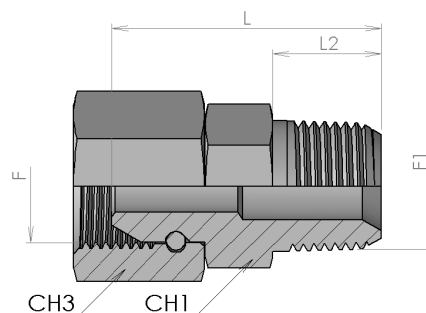
SDS



Part number	Dimensions								Weight kg/unit
	Ø		F	F1	L	L2	L3	CH1	
	tube mm	tube inch							
1865-02-02	6	1/4"	G 1/8	R 1/8 K	23.5	8.0	9	14	0.014
1865-04-04	8	5/16"	G 1/4	R 1/4 K	33.0	11.0	14	19	0.034
1865-06-06	10	3/8"	G 3/8	R 3/8 K	35.5	12.0	14	22	0.049
1865-08-08	12	1/2"	G 1/2	R 1/2 K	41.0	14.0	18	27	0.082
1865-08-12	12-20	1/2"-3/4"	G 1/2	R 3/4 K	45.5	14.0	19	27	0.109
1865-12-08	20-12	3/4"-1/2"	G 3/4	R 1/2 K	45.0	16.0	18	32	0.121
1865-12-12	20	3/4"	G 3/4	R 3/4 K	46.0	16.0	19	32	0.136
1865-16-16	25	1"	G 1	R 1 K	54.0	19.0	24	41	0.224
1865-20-20	32	1.1/4"	G 1 1/4	R 1 1/4 K	59.0	20.0	24.5	50	0.361
1865-24-24	38	1.1/2"	G 1 1/2	R 1 1/2 K	60.5	22.0	25.5	55	0.448
1865-32-32	50	2"	G 2	R 2 K	72.5	25.0	30	70	0.816

Terminale dritto di riduzione F BSP/M BSPT

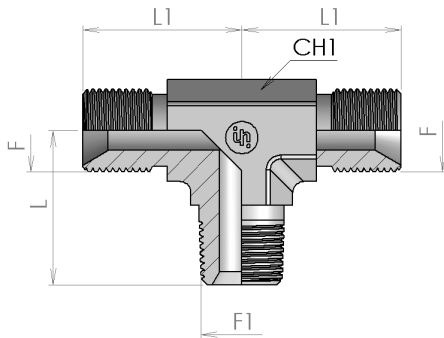
SWS



Part number	Dimensions								Weight kg/unit
	Ø		F	F1	L	L2	CH1	CH3	
	tube mm	tube inch							
2360-02-02	6	1/4"	G 1/8	R 1/8 K	29.0	10.0	12	14	0.030
2360-04-04	8	5/16"	G 1/4	R 1/4 K	33.0	14.5	14	19	0.049
2360-06-06	10	3/8"	G 3/8	R 3/8 K	36.0	14.5	19	22	0.076
2360-06-08	10-12	3/8"-1/2"	G 3/8	R 1/2 K	40.0	19.0	22	22	0.105
2360-08-06	12-10	1/2"-3/8"	G 1/2	R 3/8 K	42.0	14.5	22	27	0.099
2360-08-08	12	1/2"	G 1/2	R 1/2 K	45.0	19.0	22	27	0.128
2360-12-08	20-12	3/4"-1/2"	G 3/4	R 1/2 K	47.0	19.0	27	32	0.161
2360-12-12	20	3/4"	G 3/4	R 3/4 K	47.0	19.5	27	32	0.188
2360-12-16	20-25	3/4"-1"	G 3/4	R 1 K	55.0	24.0	36	41	0.214
2360-16-16	25	1"	G 1	R 1 K	60.0	24.0	36	41	0.279
2360-20-20	32	1.1/4"	G 1 1/4	R 1 1/4 K	62.0	24.5	46	50	0.536
2360-24-24	38	1.1/2"	G 1 1/2	R 1 1/2 K	67.0	25.5	50	55	0.619

Terminale a T M BSP/ M BSPT centrale

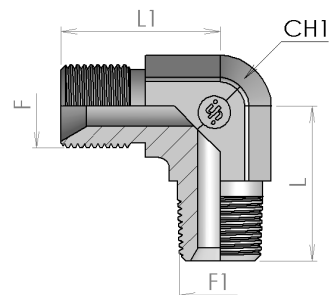
SDEBT



Part number	Dimensions							Weight kg/unit
	Ø		F	F1	L	L1	CH1	
	tube mm	tube inch						
4860-02	6	1/4"	G 1/8	R 1/8 K	19.5	22	12	0.031
4860-04	8	5/16"	G 1/4	R 1/4 K	27.5	27	14	0.066
4860-06	10	3/8"	G 3/8	R 3/8 K	31.0	32	19	0.124
4860-08	12	1/2"	G 1/2	R 1/2 K	36.0	36	22	0.187
4860-12	20	3/4"	G 3/4	R 3/4 K	40.5	42	27	0.300
4860-16	25	1"	G 1	R 1 K	50.0	46	33	0.442
4860-20	32	1.1/4"	G 1 1/4	R 1 1/4 K	60.5	52	41	0.783

Gomito 90° M BSP/ M BSPT

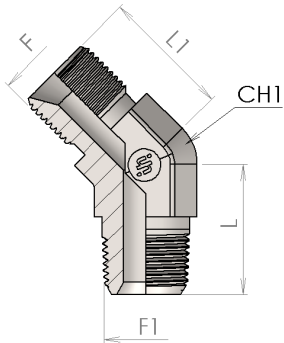
SDE



Part number	Dimensions							Weight kg/unit
	Ø		F	F1	L	L1	CH1	
	tube mm	tube inch						
4620-02	6	1/4"	G 1/8	R 1/8 K	19.5	22	12	0.015
4620-04	8	5/16"	G 1/4	R 1/4 K	27.5	27	14	0.042
4620-06	10	3/8"	G 3/8	R 3/8 K	31.0	32	19	0.093
4620-08	12	1/2"	G 1/2	R 1/2 K	36.0	36	22	0.142
4620-12	20	3/4"	G 3/4	R 3/4 K	40.5	42	27	0.231
4620-16	25	1"	G 1	R 1 K	50.0	46	33	0.372
4620-20	32	1.1/4"	G 1 1/4	R 1 1/4 K	60.5	52	41	0.593
4620-24	38	1.1/2"	G 1 1/2	R 1 1/2 K	67.0	59	50	0.835

Gomito 45° M BSP/ M BSPT

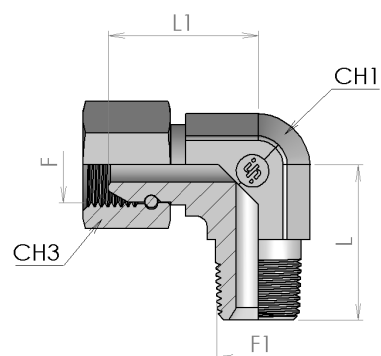
SDE45



Part number	Dimensions							Weight kg/unit
	Ø		F	F1	L	L1	CH1	
	tube mm	tube inch						
4630-02	6	1/4"	G 1/8	R 1/8 K	18.5	20	12	0.015
4630-04	8	5/16"	G 1/4	R 1/4 K	23.0	21.5	14	0.042
4630-06	10	3/8"	G 3/8	R 3/8 K	26.0	26	19	0.093
4630-08	12	1/2"	G 1/2	R 1/2 K	31.0	29	22	0.142
4630-12	20	3/4"	G 3/4	R 3/4 K	33.5	33	27	0.231
4630-16	25	1"	G 1	R 1 K	39.0	37.5	33	0.372

Girevole a 90° F BSP-M BSPT

SWE

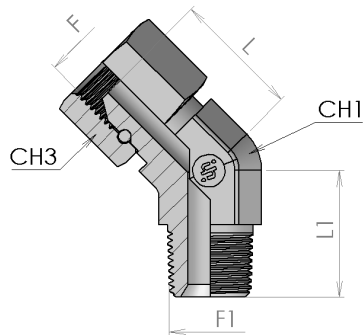


Part number	Dimensions								Weight kg/unit
	Ø		F	F1	L	L1	CH1	CH3	
	tube mm	tube inch							
4600-02	6	1/4"	G 1/8	R 1/8 K	19.5	20	12	14	0.017
4600-04	8	5/16"	G 1/4	R 1/4 K	27.5	25	14	19	0.046
4600-06	10	3/8"	G 3/8	R 3/8 K	31.0	30	19	22	0.090
4600-08	12	1/2"	G 1/2	R 1/2 K	36.0	34	22	27	0.139
4600-12	20	3/4"	G 3/4	R 3/4 K	40.5	40	27	32	0.232
4600-16	25	1"	G 1	R 1 K	50.0	43	33	41	0.261
4600-20	32	1.1/4"	G 1 1/4	R 1 1/4 K	60.5	49	41	50	0.484
4600-24	38	1.1/2"	G 1 1/2	R 1 1/2 K	67.0	60	50	55	0.831

4610

Girevole a 45° F BSP-M BSPT

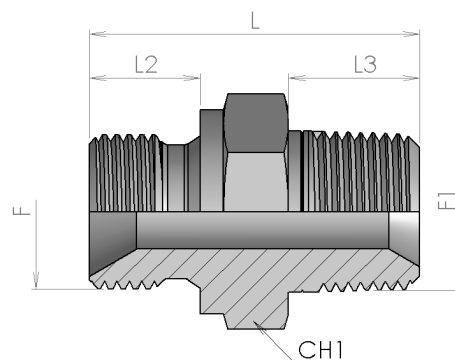
SWE45



Part number	Dimensions								Weight kg/unit
	Ø		F	F1	L	L1	CH1	CH3	
	tube mm	tube inch							
4610-04	8	5/16"	G 1/4	R 1/4 K	21.0	26	14	19	0.045
4610-06	10	3/8"	G 3/8	R 3/8 K	25.5	25.5	19	22	0.072
4610-08	12	1/2"	G 1/2	R 1/2 K	25.0	29	22	27	0.099
4610-12	20	3/4"	G 3/4	R 3/4 K	33.0	31	27	32	0.172
4610-16	25	1"	G 1	R 1 K	45.0	33.5	33	38	0.304

Terminale diritto M/M BSP-NPTF

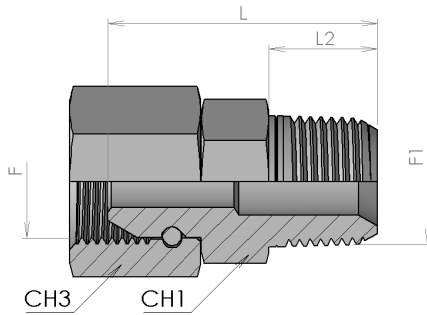
SDS



Part number	Dimensions								Weight kg/unit
	Ø		F	F1	L	L2	L3	CH1	
	tube mm	tube inch							
1875-02-02	6	1/4"	G 1/8	1/8 NPTF	24.5	8.0	10	14	0.015
1875-04-04	8	5/16"	G 1/4	1/4 NPTF	33.0	11.0	14.5	19	0.032
1875-04-06	8-10	5/16"-3/8"	G 1/4	3/8 NPTF	34.0	11.0	14.5	19	0.040
1875-06-04	10-8	3/8"-5/16"	G 3/8	1/4 NPTF	35.5	12.0	14.5	22	0.047
1875-06-06	10	3/8"	G 3/8	3/8 NPTF	35.5	12.0	14.5	22	0.051
1875-06-08	10-12	3/8"-1/2"	G 3/8	1/2 NPTF	40.5	12.0	19	22	0.061
1875-08-06	12-10	1/2"-3/8"	G 1/2	3/8 NPTF	39.5	14.0	14.5	27	0.068
1875-08-08	12	1/2"	G 1/2	1/2 NPTF	44.0	14.0	19	27	0.083
1875-08-12	12-20	1/2"-3/4"	G 1/2	3/4 NPTF	45.5	14.0	19	27	0.101
1875-12-08	20-12	3/4"-1/2"	G 3/4	1/2 NPTF	45.5	16.0	19	32	0.116
1875-12-12	20	3/4"	G 3/4	3/4 NPTF	46.0	16.0	19.5	32	0.119
1875-12-16	20-25	3/4"-1"	G 3/4	1 NPTF	53.0	16.0	24	36	0.203
1875-16-12	25-20	1"-3/4"	G 1	3/4 NPTF	49.0	19.0	19	41	0.199
1875-16-16	25	1"	G 1	1 NPTF	54.0	19.0	24	41	0.222
1875-16-20	25-32	1"-1.1/4"	G 1	1 1/4 NPTF	57.0	19.0	24.5	46	0.264
1875-20-20	32	1.1/4"	G 1 1/4	1 1/4 NPTF	58.5	20.0	24.5	50	0.306
1875-24-24	38	1.1/2"	G 1 1/2	1 1/2 NPTF	60.5	22.0	25.5	55	0.431
1875-32-32	50	2"	G 2	2 NPTF	68.5	25.0	26	70	0.755

Terminale dritto di riduzione F BSP/M NPTF

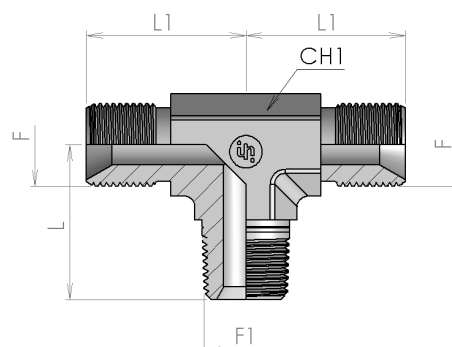
SWS



Part number	Dimensions								Weight kg/unit
	Ø		F	F1	L	L2	CH1	CH3	
	tube mm	tube inch							
2365-02-02	6	1/4"	G 1/8	1/8 NPTF	27.0	10.0	12	14	0.030
2365-04-04	8	5/16"	G 1/4	1/4 NPTF	33.0	14.0	14	19	0.049
2365-04-06	8-10	5/16"-3/8"	G 1/4	3/8 NPTF	36.0	14.5	17	22	0.064
2365-06-04	10-8	3/8"-5/16"	G 3/8	1/4 NPTF	34.0	14.0	19	19	0.061
2365-06-06	10	3/8"	G 3/8	3/8 NPTF	36.0	14.5	19	22	0.076
2365-06-08	10-12	3/8"-1/2"	G 3/8	1/2 NPTF	40.0	19.0	22	27	0.105
2365-08-06	12-10	1/2"-3/8"	G 1/2	3/8 NPTF	39.0	14.5	22	22	0.099
2365-08-08	12	1/2"	G 1/2	1/2 NPTF	43.5	19.0	22	27	0.128
2365-08-12	12-20	1/2"-3/4"	G 1/2	3/4 NPTF	46.0	19.5	27	32	0.152
2365-12-08	20-12	3/4"-1/2"	G 3/4	1/2 NPTF	47.0	19.0	27	27	0.161
2365-12-12	20	3/4"	G 3/4	3/4 NPTF	46.0	19.5	27	32	0.188
2365-12-16	20-25	3/4"-1"	G 3/4	1 NPTF	55.0	24.0	36	41	0.214
2365-16-12	25-20	1"-3/4"	G 1	3/4 NPTF	54.0	19.0	36	41	0.258
2365-16-16	25	1"	G 1	1 NPTF	60.0	24.0	36	41	0.279
2365-20-20	32	1.1/4"	G 1 1/4	1 1/4 NPTF	62.0	24.5	46	50	0.536
2365-24-24	38	1.1/2"	G 1 1/2	1 1/2 NPTF	67.0	25.5	50	55	0.619

Terminale a T M BSP/ M NPTF centrale

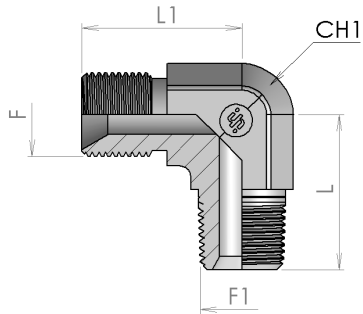
SDEBT



Part number	Dimensions							Weight kg/unit
	Ø		F	F1	L	L1	CH1	
	tube mm	tube inch						
4870-02	6	1/4"	G 1 1/4	1 1/2 NPTF	19.5	22	12	0.031
4870-04	8	5/16"	G 1 1/2	1 1/2 NPTF	27.5	27	14	0.066
4870-06	10	3/8"	G 2	2 NPTF	31.0	32	19	0.124
4870-08	12	1/2"	G 1/2	1/2 NPTF	36.0	36	22	0.187
4870-12	20	3/4"	G 3/4	3/4 NPTF	40.5	42	27	0.300
4870-16	25	1"	G 1	1 NPTF	50.0	46	33	0.442

Gomito 90° M BSP/ M NPTF

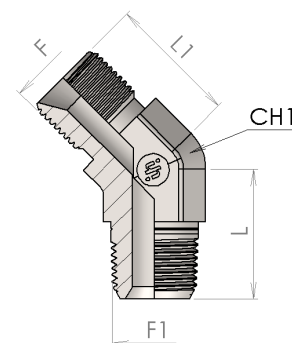
SDE



Part number	Dimensions							Weight kg/unit
	Ø		F	F1	L	L1	CH1	
	tube mm	tube inch						
4670-02	6	1/4"	G 1/8	1/8 NPTF	19.5	22	12	0.015
4670-04	8	5/16"	G 1/4	1/4 NPTF	27.5	27	14	0.042
4670-06	10	3/8"	G 3/8	3/8 NPTF	31.0	32	19	0.093
4670-08	12	1/2"	G 1/2	1/2 NPTF	36.0	36	22	0.142
4670-12	20	3/4"	G 3/4	3/4 NPTF	40.5	42	27	0.231
4670-16	25	1"	G 1	1 NPTF	50.0	46	33	0.372
4670-20	32	1.1/4"	G 1 1/4	1 1/4 NPTF	60.5	52	41	0.593

Gomito 45° M BSP/M NPTF

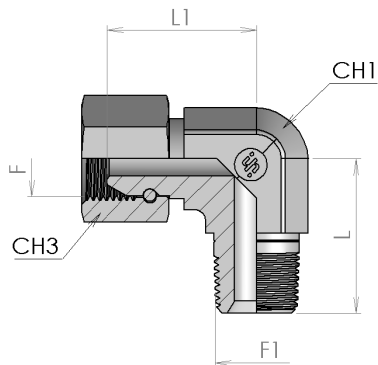
SDE45



Part number	Dimensions							Weight kg/unit
	Ø		F	F1	L	L1	CH1	
	tube mm	tube inch						
4680-02	6	1/4"	G 1/8	1/8 NPTF	18.5	20	12	0.015
4680-04	8	5/16"	G 1/4	1/4 NPTF	23.0	21.5	14	0.042
4680-06	10	3/8"	G 3/8	3/8 NPTF	26.0	26	19	0.093
4680-08	12	1/2"	G 1/2	1/2 NPTF	31.0	29	22	0.142
4680-12	20	3/4"	G 3/4	3/4 NPTF	33.5	33	27	0.231
4680-16	25	1"	G 1	1 NPTF	39.0	37.5	33	0.372

Girevole a 90° F BSP-M NPTF

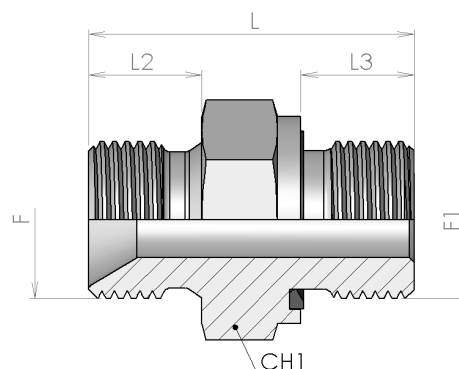
SWE



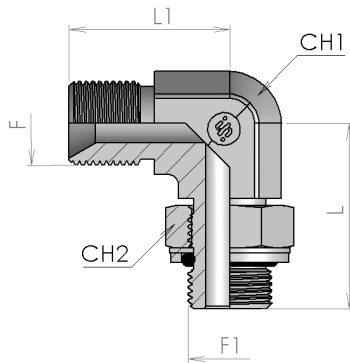
Part number	Dimensions								Weight kg/unit
	Ø		F	F1	L	L1	CH1	CH3	
	tube mm	tube inch							
4650-02	6	1/4"	G 1/8	1/8 NPTF	19.5	20	12	14	0.017
4650-04	8	5/16"	G 1/4	1/4 NPTF	27.5	25	14	19	0.046
4650-06	10	3/8"	G 3/8	3/8 NPTF	31.0	30	19	22	0.090
4650-08	12	1/2"	G 1/2	1/2 NPTF	36.0	34	22	27	0.139
4650-12	20	3/4"	G 3/4	3/4 NPTF	40.5	40	27	32	0.232
4650-16	25	1"	G 1	1 NPTF	50.0	43	33	41	0.261
4650-20	32	1.1/4"	G 1 1/4	1 1/4 NPTF	60.5	49	41	50	0.484
4650-24	38	1.1/2"	G 1 1/2	1 1/2 NPTF	67.0	60	50	55	0.831

Terminale dritto M/M BSP-BSPP (Form E ISO 1179-2)

SDS



Part number	Dimensions								Weight kg/unit
	Ø		F	F1	L	L2	L3	CH1	
	tube mm	tube inch							
1700E04-04	8	5/16"	G 1/4	G 1/4	32.0	11.0	12	19	0.035
1700E06-06	10	3/8"	G 3/8	G 3/8	34.5	12.0	12	22	0.053
1700E08-08	12	1/2"	G 1/2	G 1/2	41.0	14.0	14	27	0.083
1700E12-12	20	3/4"	G 3/4	G 3/4	47.0	16.0	16	32	0.141
1700E16-16	25	1"	G 1	G 1	54.0	19.0	18	41	0.243



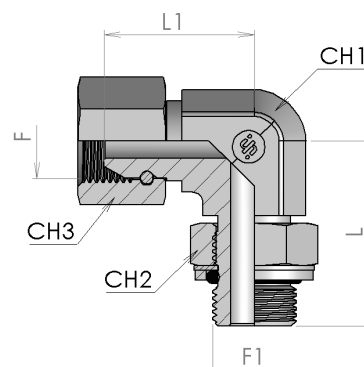
Curva Orientabile 90° M/M BSP BSP (ISO 1179)

SDE

Part number	Dimensions								Weight kg/unit
	Ø		F	F1	L	L1	CH1	CH2	
	tube mm	tube inch							
3900-02-02	6	1/4"	G 1/8	G 1/8	27.0	22	12	14	0.028
3900-04-02	8-6	5/16"-1/4"	G 1/8	G 1/4	33.0	24.5	14	19	0.045
3900-04-04	8	5/16"	G 1/4	G 1/4	33.0	27	14	19	0.050
3900-04-06	8-10	5/16"-3/8"	G 3/8	G 1/4	35.0	32	19	19	0.084
3900-06-02	10-6	3/8"-1/4"	G 1/8	G 3/8	37.0	27	19	22	0.087
3900-06-04	10-8	3/8"-5/16"	G 1/4	G 3/8	37.0	29.5	19	22	0.091
3900-06-06	10	3/8"	G 3/8	G 3/8	37.0	32	19	22	0.094
3900-06-08	10-12	3/8"-1/2"	G 1/2	G 3/8	40.0	36	22	22	0.140
3900-08-04	12-8	1/2"-5/16"	G 1/4	G 1/2	43.0	31.5	22	27	0.135
3900-08-06	12-10	1/2"-3/8"	G 3/8	G 1/2	43.0	34	22	27	0.142
3900-08-08	12	1/2"	G 1/2	G 1/2	43.0	36	22	27	0.147
3900-08-12	12-20	1/2"-3/4"	G 3/4	G 1/2	46.5	42	27	27	0.224
3900-12-06	20-10	3/4"-3/8"	G 3/8	G 3/4	50.0	37	27	36	0.231
3900-12-08	20-12	3/4"-1/2"	G 1/2	G 3/4	50.0	39	27	36	0.239
3900-12-12	20	3/4"	G 3/4	G 3/4	50.0	42	27	36	0.248
3900-12-16	20-25	3/4"-1"	G 1	G 3/4	50.0	44	33	36	0.310
3900-16-12	25-20	1"-3/4"	G 3/4	G 1	53.0	44	33	41	0.370
3900-16-16	25	1"	G 1	G 1	53.0	46	33	41	0.374
3900-16-20	25-32	1"-1.1/4"	G 1 1/4	G 1	55.5	52	41	41	0.469
3900-20-16	32-25	1.1/4"-1"	G 1	G 1 1/4	58.0	49	41	50	564.000
3900-20-20	32	1.1/4"	G 1 1/4	G 1 1/4	58.0	52	41	50	0.658
3900-24-24	38	1.1/2"	G 1 1/2	G 1 1/2	63.0	59	50	55	0.970

Curva Orientabile 90° M/F BSP Girevole BSP (ISO 1179)

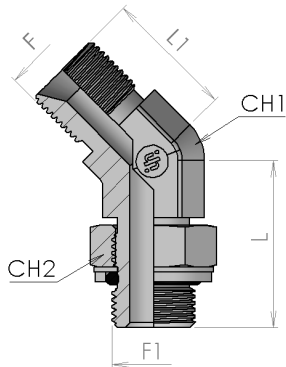
SWSDE



Part number	Dimensions									Weight kg/unit
	Ø		F	F1	L	L1	CH1	CH2	CH3	
	tube mm	tube inch								
3255-02-02	6	1/4"	G 1/8	G 1/8	27.0	20	12	14	14	0.021
3255-04-04	8	5/16"	G 1/4	G 1/4	33.0	25	14	19	19	0.049
3255-06-06	10	3/8"	G 3/8	G 3/8	37.0	30	19	22	22	0.091
3255-08-08	12	1/2"	G 1/2	G 1/2	43.0	34	22	27	27	0.143
3255-12-12	20	3/4"	G 3/4	G 3/4	50.0	40	27	36	32	0.245
3255-16-16	25	1"	G 1	G 1	53.0	43	33	41	41	0.368
3255-20-20	32	1.1/4"	G 1 1/4	G 1 1/4	58.0	49	41	50	50	0.621
3255-24-24	38	1.1/2"	G 1 1/2	G 1 1/2	63.0	60	50	55	55	0.955

Curva Orientabile 45° M/M BSP BSP (ISO 1179)

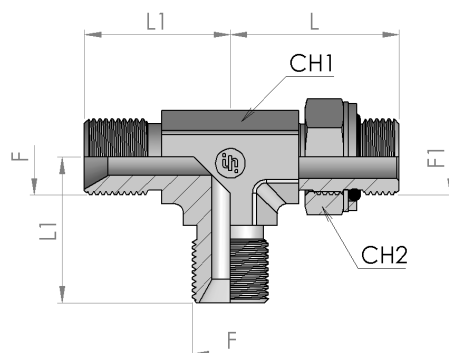
SDE45



Part number	Dimensions								Weight kg/unit
	Ø		F	F1	L	L1	CH1	CH2	
	tube mm	tube inch							
3950-02-02	6	1/4"	G 1/8	G 1/8	27.0	20	12	14	0.028
3950-04-02	8-6	5/16"-1/4"	G 1/8	G 1/4	28.5	21.5	14	19	0.045
3950-04-04	8	5/16"	G 1/4	G 1/4	30.0	21.5	14	19	0.050
3950-06-04	10-8	3/8"-5/16"	G 1/4	G 3/8	31.5	26	19	22	0.091
3950-06-06	10	3/8"	G 3/8	G 3/8	33.5	26	19	22	0.094
3950-08-06	12-10	1/2"-3/8"	G 3/8	G 1/2	36.0	29	22	27	0.142
3950-08-08	12	1/2"	G 1/2	G 1/2	39.0	29	22	27	0.147
3950-12-08	20-12	3/4"-1/2"	G 1/2	G 3/4	41.5	44	27	36	0.239
3950-12-12	20	3/4"	G 3/4	G 3/4	44.0	33	27	36	0.248
3950-16-12	25-20	1"-3/4"	G 3/4	G 1	45.5	37.5	33	41	0.370
3950-16-16	25	1"	G 1	G 1	47.0	37.5	33	41	0.374
3950-20-16	32-25	1.1/4"-1"	G 1	G 1 1/4	49.5	38	41	50	0.564
3950-20-20	32	1.1/4"	G 1 1/4	G 1 1/4	52.0	38	41	50	0.658

Terminale a T Orientabile laterale M/M BSP-BSP (ISO 1179)

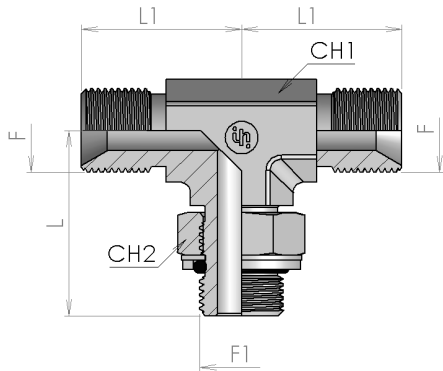
SDRT



Part number	Dimensions								Weight kg/unit
	Ø		F	F1	L	L1	CH1	CH2	
	tube mm	tube inch							
3600-02-02	6	1/4"	G 1/8	G 1/8	27.0	22	12	14	0.038
3600-04-02	8-6	5/16"-1/4"	G 1/8	G 1/4	33.0	24.5	14	19	0.061
3600-04-04	8	5/16"	G 1/4	G 1/4	33.0	27	14	19	0.068
3600-04-06	8-10	5/16"-3/8"	G 3/8	G 1/4	35.0	32	19	19	0.113
3600-06-04	10-8	3/8"-5/16"	G 1/4	G 3/8	37.0	29.5	19	22	0.123
3600-06-06	10	3/8"	G 3/8	G 3/8	37.0	32	19	22	0.127
3600-06-08	10-12	3/8"-1/2"	G 1/2	G 3/8	40.0	36	22	22	0.189
3600-08-06	12-10	1/2"-3/8"	G 3/8	G 1/2	43.0	34	22	27	0.192
3600-08-08	12	1/2"	G 1/2	G 1/2	43.0	36	22	27	0.199
3600-08-12	12-20	1/2"-3/4"	G 3/4	G 1/2	46.5	42	27	27	0.302
3600-12-08	20-12	3/4"-1/2"	G 1/2	G 3/4	50.0	39	27	36	0.323
3600-12-12	20	3/4"	G 3/4	G 3/4	50.0	42	27	36	0.335
3600-12-16	20-25	3/4"-1"	G 1	G 3/4	50.0	44	33	36	0.419
3600-16-12	25-20	1"-3/4"	G 3/4	G 1	53.0	44	33	41	0.500
3600-16-16	25	1"	G 1	G 1	53.0	46	33	41	0.505
3600-16-20	25-32	1"-1.1/4"	G 1 1/4	G 1	55.5	52	41	41	0.633
3600-20-20	32	1.1/4"	G 1 1/4	G 1 1/4	58.0	52	41	50	0.888
3600-24-24	38	1.1/2"	G 1 1/2	G 1 1/2	63.0	59	50	55	1.310

Terminale a T Orientabile centrale M/M BSP-BSP (ISO 1179)

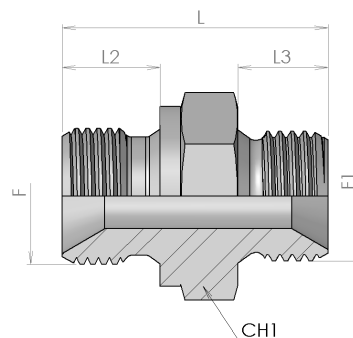
SDBT



Part number	Dimensions								Weight kg/unit
	Ø		F	F1	L	L1	CH1	CH2	
	tube mm	tube inch							
3605-02-02	6	1/4"	G 1/8	G 1/8	27.0	22	12	14	0.038
3605-04-02	8-6	5/16"-1/4"	G 1/8	G 1/4	33.0	24.5	14	19	0.061
3605-04-04	8	5/16"	G 1/4	G 1/4	33.0	27	14	19	0.068
3605-04-06	8-10	5/16"-3/8"	G 3/8	G 1/4	35.0	32	19	19	0.113
3605-06-04	10-8	3/8"-5/16"	G 1/4	G 3/8	37.0	29.5	19	22	0.123
3605-06-06	10	3/8"	G 3/8	G 3/8	37.0	32	19	22	0.127
3605-06-08	10-12	3/8"-1/2"	G 1/2	G 3/8	40.0	36	22	22	0.189
3605-08-06	12-10	1/2"-3/8"	G 3/8	G 1/2	43.0	34	22	27	0.192
3605-08-08	12	1/2"	G 1/2	G 1/2	43.0	36	22	27	0.199
3605-08-12	12-20	1/2"-3/4"	G 3/4	G 1/2	46.5	42	27	27	0.302
3605-12-08	20-12	3/4"-1/2"	G 1/2	G 3/4	50.0	39	27	36	0.323
3605-12-12	20	3/4"	G 3/4	G 3/4	50.0	42	27	36	0.335
3605-12-16	20-25	3/4"-1"	G 1	G 3/4	50.0	44	33	36	0.419
3605-16-12	25-20	1"-3/4"	G 3/4	G 1	53.0	44	33	41	0.500
3605-16-16	25	1"	G 1	G 1	53.0	46	33	41	0.505
3605-16-20	25-32	1"-1.1/4"	G 1 1/4	G 1	55.5	52	41	41	0.633
3605-20-20	32	1.1/4"	G 1 1/4	G 1 1/4	58.0	52	41	50	0.888
3605-24-24	38	1.1/2"	G 1 1/2	G 1 1/2	63.0	59	50	55	1.310

Unione diritto M/M BSP/Metrico

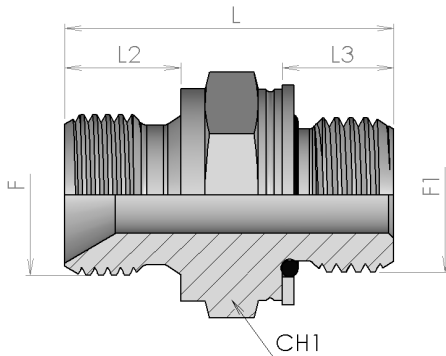
SDS



Part number	Dimensions								Weight kg/unit
	Ø		F	F1	L	L2	L3	CH1	
	tube mm	tube inch							
1805-02-10	6	1/4"	G 1/8	M 10x1	22.5	8.0	8	14	0.013
1805-04-10	8	5/16"	G 1/4	M 10x1	27.0	11.0	8	19	0.031
1805-04-12	8	5/16"	G 1/4	M 12x1,5	31.0	11.0	10	19	0.033
1805-04-14	8	5/16"	G 1/4	M 14x1,5	31.0	11.0	10	19	0.030
1805-04-16	8	5/16"	G 1/4	M 16x1,5	31.0	11.0	11	22	0.039
1805-04-18	8	5/16"	G 1/4	M 18x1,5	34.0	11.0	11	24	0.049
1805-04-22	8	5/16"	G 1/4	M 22x1,5	36.0	11.0	12	27	0.061
1805-06-12	10	3/8"	G 3/8	M 12x1,5	33.5	12.0	10	22	0.043
1805-06-14	10	3/8"	G 3/8	M 14x1,5	33.5	12.0	10	22	0.044
1805-06-16	10	3/8"	G 3/8	M 16x1,5	33.5	12.0	11	22	0.046
1805-06-18	10	3/8"	G 3/8	M 18x1,5	34.5	12.0	11	24	0.055
1805-06-20	10	3/8"	G 3/8	M 20x1,5	36.5	12.0	12	27	0.061
1805-06-22	10	3/8"	G 3/8	M 22x1,5	36.5	12.0	12	27	0.068
1805-08-14	12	1/2"	G 1/2	M 14x1,5	37.0	14.0	10	27	0.058
1805-08-16	12	1/2"	G 1/2	M 16x1,5	37.0	14.0	11	27	0.060
1805-08-18	12	1/2"	G 1/2	M 18x1,5	37.0	14.0	11	27	0.066
1805-08-20	12	1/2"	G 1/2	M 20x1,5	39.0	14.0	12	27	0.069
1805-08-22	12	1/2"	G 1/2	M 22x1,5	39.0	14.0	12	27	0.070
1805-12-18	20	3/4"	G 3/4	M 18x1,5	39.0	16.0	11	32	0.111
1805-12-20	20	3/4"	G 3/4	M 20x1,5	41.0	16.0	12	32	0.115
1805-12-22	20	3/4"	G 3/4	M 22x1,5	41.0	16.0	12	32	0.119
1805-12-26	20	3/4"	G 3/4	M 26x1,5	43.0	16.0	12	32	0.124
1805-12-30	20	3/4"	G 3/4	M 30x1,5	44.0	16.0	14	36	0.166
1805-16-22	25	1"	G 1	M 22x1,5	41.0	19.0	12	41	0.165
1805-16-26	25	1"	G 1	M 26x1,5	46.0	19.0	12	41	0.204
1805-16-38	25	1"	G 1	M 38 x1,5	46.0	19.0	14	46	0.243

Terminale dritto M/M BSP/Metrico con O-ring e anellino

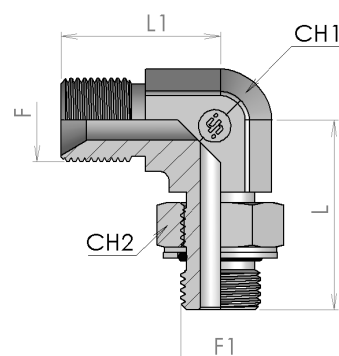
SDS



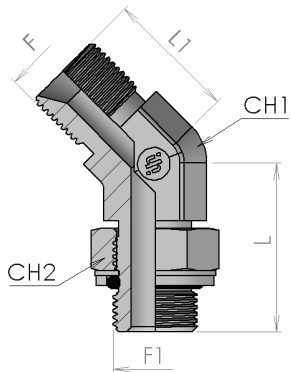
Part number	Dimensions								Weight kg/unit
	Ø		F	F1	L	L2	L3	CH1	
	tube mm	tube inch							
3510-10-02	6	1/4"	G 1/8	M 10x1	24.0	8.0	8.5	14	0.018
3510-12-02	6	1/4"	G 1/8	M 12x1,5	27.0	8.0	11	17	0.026
3510-14-04	8	5/16"	G 1/4	M 14x1,5	31.5	11.0	11	19	0.037
3510-16-04	8	5/16"	G 1/4	M 16x1,5	33.0	11.0	11.5	22	0.044
3510-16-06	10	3/8"	G 3/8	M 16x1,5	34.0	12.0	11.5	22	0.051
3510-18-06	10	3/8"	G 3/8	M 18x1,5	36.0	12.0	12.5	24	0.060
3510-18-08	12	1/2"	G 1/2	M 18x1,5	38.0	14.0	12.5	24	0.078
3510-22-08	12	1/2"	G 1/2	M 22x1,5	39.5	14.0	13	27	0.104
3510-22-12	20	3/4"	G 3/4	M 22x1,5	42.0	16.0	13	30	0.125
3510-27-12	20	3/4"	G 3/4	M 27x2	44.5	16.0	16	36	0.159
3510-27-16	25	1"	G 1	M 27x2	47.5	19.0	16	36	0.204
3510-33-16	25	1"	G 1	M 33x2	52.0	19.0	16	41	0.269
3510-42-20	32	1.1/4"	G 1 1/4	M 42x2	55.0	20.0	16	50	0.427
3510-48-24	38	1.1/2"	G 1 1/2	M 48x2	59.5	22.0	17.5	55	0.534

Curva Orientabile 90° M/M BSP Metrico con o-ring e anello

SWSDE



Part number	Dimensions								Weight kg/unit
	Ø		F	F1	L	L1	CH1	CH2	
	tube mm	tube inch							
3910-10-02	6	1/4"	G 1/8	M 10x1	29.0	22	12	14	0.029
3910-12-02	6	1/4"	G 1/8	M 12x1,5	31.0	22	12	17	0.045
3910-14-04	8	5/16"	G 1/4	M 14x1,5	34.0	27	14	19	0.049
3910-16-04	8	5/16"	G 1/4	M 16x1,5	38.0	29.5	14	22	0.055
3910-16-06	10	3/8"	G 3/8	M 16x1,5	38.0	32	19	22	0.094
3910-18-06	10	3/8"	G 3/8	M 18x1,5	41.0	34	19	24	0.135
3910-18-08	12	1/2"	G 1/2	M 18x1,5	41.0	36	22	24	0.141
3910-22-08	12	1/2"	G 1/2	M 22x1,5	43.0	36	22	27	0.147
3910-22-12	20	3/4"	G 3/4	M 22x1,5	47.5	42	27	27	0.185
3910-27-12	20	3/4"	G 3/4	M 27x2	52.0	42	27	32	0.249
3910-27-16	25	1"	G 1	M 27x2	53.0	46	33	32	0.350
3910-33-16	25	1"	G 1	M 33x2	54.0	46	33	41	0.367
3910-42-20	32	1.1/4"	G 1 1/4	M 42x2	60.0	52	41	50	0.645
3910-48-24	38	1.1/2"	G 1 1/2	M 48x2	67.0	59	50	55	1.012



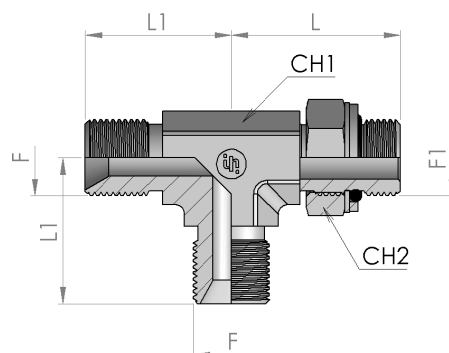
Curva Orientabile 45° M/M BSP Metrico con o-ring e anello

SDE45

Part number	Dimensions								Weight kg/unit
	Ø		F	F1	L	L1	CH1	CH2	
	tube mm	tube inch							
3410-10-02	6	1/4"	G 1/8	M 10x1	27.0	20	12	14	0.029
3410-12-02	6	1/4"	G 1/8	M 12x1,5	28.5	20	12	17	0.045
3410-14-04	8	5/16"	G 1/4	M 14x1,5	32.0	21.5	14	19	0.049
3410-16-04	8	5/16"	G 1/4	M 16x1,5	33.0	21.5	14	22	0.055
3410-16-06	10	3/8"	G 3/8	M 16x1,5	34.0	26	19	22	0.094
3410-18-06	10	3/8"	G 3/8	M 18x1,5	35.0	26	19	24	0.135
3410-18-08	12	1/2"	G 1/2	M 18x1,5	36.0	29	22	24	0.141
3410-22-08	12	1/2"	G 1/2	M 22x1,5	38.0	29	22	27	0.147
3410-22-12	20	3/4"	G 3/4	M 22x1,5	41.5	33	27	27	0.185
3410-27-12	20	3/4"	G 3/4	M 27x2	45.0	33	27	32	0.249
3410-27-16	25	1"	G 1	M 27x2	46.5	37.5	33	32	0.350
3410-33-16	25	1"	G 1	M 33x2	48.0	37.5	33	41	0.367
3410-42-20	32	1.1/4"	G 1 1/4	M 42x2	53.5	38	41	50	0.645
3410-48-24	38	1.1/2"	G 1 1/2	M 48x2	58.0	43	50	55	1.012

Terminale a T Orientabile laterale M/M BSP-Metrico con o-ring e anello

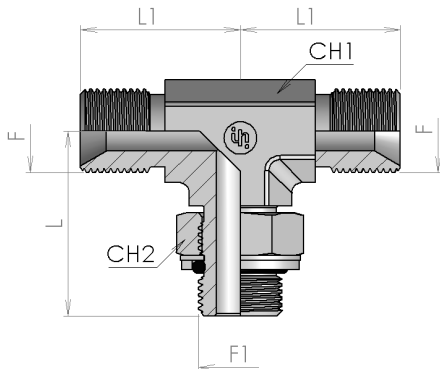
SDRT



Part number	Dimensions								Weight kg/unit
	Ø		F	F1	L	L1	CH1	CH2	
	tube mm	tube inch							
3610-10-02	6	1/4"	G 1/8	M 10x1	29.0	22	12	14	0.039
3610-12-02	6	1/4"	G 1/8	M 12x1,5	31.0	22	12	17	0.060
3610-14-04	8	5/16"	G 1/4	M 14x1,5	34.0	27	14	19	0.065
3610-16-04	8	5/16"	G 1/4	M 16x1,5	38.0	29.5	14	22	0.073
3610-16-06	10	3/8"	G 3/8	M 16x1,5	38.0	32	19	22	0.125
3610-18-06	10	3/8"	G 3/8	M 18x1,5	41.0	34	19	24	0.180
3610-18-08	12	1/2"	G 1/2	M 18x1,5	41.0	36	22	24	0.188
3610-22-08	12	1/2"	G 1/2	M 22x1,5	43.0	36	22	27	0.196
3610-22-12	20	3/4"	G 3/4	M 22x1,5	47.5	42	27	27	0.247
3610-27-12	20	3/4"	G 3/4	M 27x2	52.0	42	27	32	0.332
3610-27-16	25	1"	G 1	M 27x2	53.0	46	33	32	0.467
3610-33-16	25	1"	G 1	M 33x2	54.0	46	33	41	0.489
3610-42-20	32	1.1/4"	G 1 1/4	M 42x2	60.0	52	41	50	0.860
3610-48-24	38	1.1/2"	G 1 1/2	M 48x2	67.0	59	50	55	1.349

Terminale a T Orientabile centrale M/M BSP-Metrico con o-ring e anello

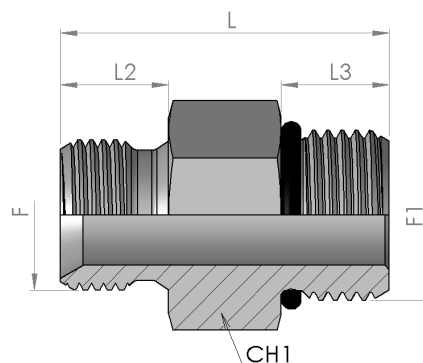
SDBT



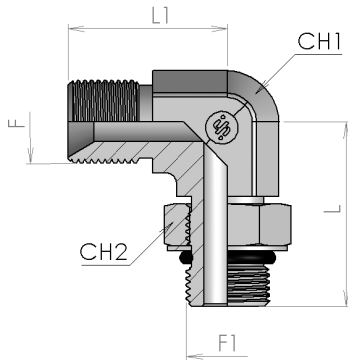
Part number	Dimensions								Weight kg/unit
	Ø		F	F1	L	L1	CH1	CH2	
	tube mm	tube inch							
3615-10-02	6	1/4"	G 1/8	M 10x1	29.0	22	12	14	0.039
3615-12-02	6	1/4"	G 1/8	M 12x1,5	31.0	22	12	17	0.060
3615-14-04	8	5/16"	G 1/4	M 14x1,5	34.0	27	14	19	0.065
3615-16-04	8	5/16"	G 1/4	M 16x1,5	38.0	29.5	14	22	0.073
3615-16-06	10	3/8"	G 3/8	M 16x1,5	38.0	32	19	22	0.125
3615-18-06	10	3/8"	G 3/8	M 18x1,5	41.0	34	19	24	0.180
3615-18-08	12	1/2"	G 1/2	M 18x1,5	41.0	36	22	24	0.188
3615-22-08	12	1/2"	G 1/2	M 22x1,5	43.0	36	22	27	0.196
3615-22-12	20	3/4"	G 3/4	M 22x1,5	47.5	42	27	27	0.247
3615-27-12	20	3/4"	G 3/4	M 27x2	52.0	42	27	32	0.332
3615-27-16	25	1"	G 1	M 27x2	53.0	46	33	32	0.467
3615-33-16	25	1"	G 1	M 33x2	54.0	46	33	41	0.489
3615-42-20	32	1.1/4"	G 1 1/4	M 42x2	60.0	52	41	50	0.860
3615-48-24	38	1.1/2"	G 1 1/2	M 48x2	67.0	59	50	55	1.349

Unione diretto M/M BSP/UNF (ISO 11926)

SDS



Part number	Dimensions								Weight kg/unit
	Ø		F	F1	L	L2	L3	CH1	
	tube mm	tube inch							
3520-04-02	6	1/4"	G 1/8	7/16-20 UNF	26.0	8.0	9	14	0.021
3520-05-02	8-6	5/16"-1/4"	G 1/8	1/2-20 UNF	26.0	8.0	9	17	0.025
3520-06-04	10-8	3/8"-5/16"	G 1/4	9/16-18 UNF	30.0	11.0	10	17	0.029
3520-08-04	12-8	1/2"-5/16"	G 1/4	3/4-16 UNF	31.5	11.0	11	22	0.051
3520-08-06	12-10	1/2"-3/8"	G 3/8	3/4-16 UNF	33.0	12.0	11	22	0.053
3520-08-08	12	1/2"	G 1/2	3/4-16 UNF	36.5	14.0	11	22	0.063
3520-10-06	16-10	5/8"-3/8"	G 3/8	7/8-14 UNF	35.5	12.0	12.5	27	0.079
3520-10-08	16-12	5/8"-1/2"	G 1/2	7/8-14 UNF	38.0	14.0	12.5	27	0.101
3520-10-12	16-20	5/8"-3/4"	G 3/4	7/8-14 UNF	41.0	16.0	12.5	32	0.122
3520-12-08	20-12	3/4"-1/2"	G 1/2	1 1/16-12 UN	41.5	16.0	15	32	0.131
3520-12-12	20	3/4"	G 3/4	1 1/16-12 UN	43.5	16.0	15	32	0.135
3520-12-16	20-25	3/4"-1"	G 1	1 1/16-12 UN	47.5	19.0	15	36	0.178
3520-16-12	25-20	1"-3/4"	G 3/4	1 5/16-12 UN	44.5	16.0	15	41	0.191
3520-16-16	25	1"	G 1	1 5/16-12 UN	47.5	19.0	15	41	0.204
3520-20-20	32	1.1/4"	G 1 1/4	1 5/8 UN	50.5	20.0	15	50	0.359
3520-24-24	38	1.1/2"	G 1 1/2	1 7/8-12 UN	54.5	22.0	15	55	0.464



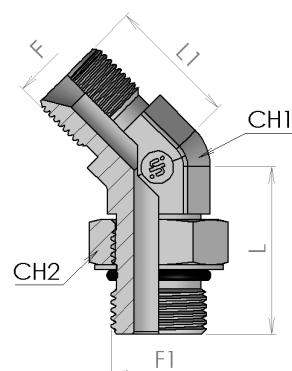
Curva Orientabile 90° M/M BSP UNF (ISO 11926)

SDE

Part number	Dimensions								Weight kg/unit
	Ø		F	F1	L	L1	CH1	CH2	
	tube mm	tube inch							
3920-04-02	6	1/4"	G 1/8	7/16-20 UNF	27.0	22	12	17	0.031
3920-05-02	8-6	5/16"-1/4"	G 1/8	1/2-20 UNF	30.0	25	14	17	0.041
3920-06-04	10-8	3/8"-5/16"	G 1/4	9/16-18 UNF	33.0	27	14	19	0.053
3920-08-04	12-8	1/2"-5/16"	G 1/4	3/4-16 UNF	37.0	29.5	19	24	0.075
3920-08-06	12-10	1/2"-3/8"	G 3/8	3/4-16 UNF	37.0	32	19	24	0.105
3920-08-08	12	1/2"	G 1/2	3/4-16 UNF	37.0	36	22	24	0.118
3920-10-06	16-10	5/8"-3/8"	G 3/8	7/8-14 UNF	43.0	34	22	27	0.135
3920-10-08	16-12	5/8"-1/2"	G 1/2	7/8-14 UNF	43.0	36	22	27	0.159
3920-10-12	16-20	5/8"-3/4"	G 3/4	7/8-14 UNF	43.0	42	27	27	0.178
3920-12-08	20-12	3/4"-1/2"	G 1/2	1 1/16-12 UN	50.0	39	27	36	0.211
3920-12-12	20	3/4"	G 3/4	1 1/16-12 UN	50.0	42	27	36	0.258
3920-16-12	25-20	1"-3/4"	G 3/4	1 5/16-12 UN	53.0	44	33	41	0.298
3920-16-16	25	1"	G 1	1 5/16-12 UN	53.0	46	33	41	0.367
3920-20-20	32	1.1/4"	G 1 1/4	1 5/8 UN	58.0	52	41	50	0.615
3920-24-24	38	1.1/2"	G 1 1/2	1 7/8-12 UN	63.0	59	50	55	0.994

Curva Orientabile 45° M/M BSP UNF (ISO 11926)

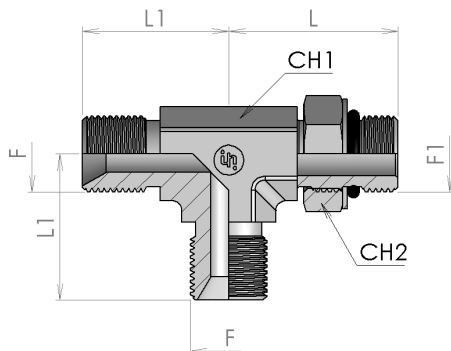
SDE45



Part number	Dimensions								Weight kg/unit
	Ø		F	F1	L	L1	CH1	CH2	
	tube mm	tube inch							
3420-04-02	6	1/4"	G 1/8	7/16-20 UNF	27.0	20	12	17	0.031
3420-05-02	8-6	5/16"-1/4"	G 1/8	1/2-20 UNF	28.0	21	14	17	0.041
3420-06-04	10-8	3/8"-5/16"	G 1/4	9/16-18 UNF	30.0	21.5	14	19	0.053
3420-08-04	12-8	1/2"-5/16"	G 1/4	3/4-16 UNF	33.5	23.5	19	24	0.075
3420-08-06	12-10	1/2"-3/8"	G 3/8	3/4-16 UNF	33.5	26	19	24	0.105
3420-08-08	12	1/2"	G 1/2	3/4-16 UNF	36.0	29	22	24	0.118
3420-10-06	16-10	5/8"-3/8"	G 3/8	7/8-14 UNF	39.0	27.5	22	27	0.135
3420-10-08	16-12	5/8"-1/2"	G 1/2	7/8-14 UNF	39.0	29	22	27	0.159
3420-10-12	16-20	5/8"-3/4"	G 3/4	7/8-14 UNF	41.5	33	27	27	0.178
3420-12-08	20-12	3/4"-1/2"	G 1/2	1 1/16-12 UN	44.0	31	27	36	0.211
3420-12-12	20	3/4"	G 3/4	1 1/16-12 UN	44.0	33	27	36	0.258
3420-16-12	25-20	1"-3/4"	G 3/4	1 5/16-12 UN	47.0	34	33	41	0.298
3420-16-16	25	1"	G 1	1 5/16-12 UN	47.0	35	33	41	0.367
3420-20-20	32	1.1/4"	G 1 1/4	1 5/8 UN	52.0	38	41	50	0.615
3420-24-24	38	1.1/2"	G 1 1/2	1 7/8-12 UN	55.0	41	50	55	0.994

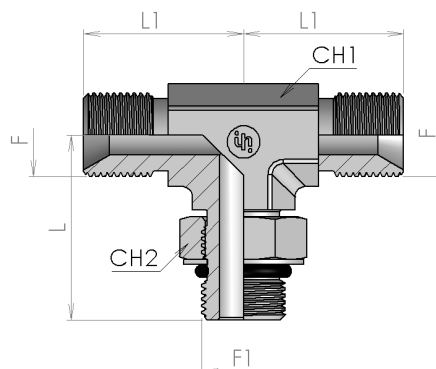
Terminale a T Orientabile laterale M/M BSP- UNF (ISO 11926)

SDRT



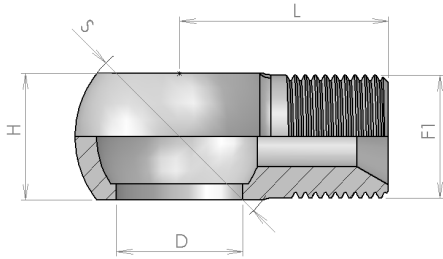
Part number	Dimensions								Weight kg/unit
	Ø		F	F1	L	L1	CH1	CH2	
	tube mm	tube inch							
3620-04-02	6	1/4"	G 1/8	7/16-20 UNF	27.0	22	12	17	0.041
3620-05-02	8-6	5/16"-1/4"	G 1/8	1/2-20 UNF	30.0	25	14	17	0.055
3620-06-04	10-8	3/8"-5/16"	G 1/4	9/16-18 UNF	33.0	27	14	19	0.071
3620-08-04	12-8	1/2"-5/16"	G 1/4	3/4-16 UNF	37.0	29.5	19	24	0.100
3620-08-06	12-10	1/2"-3/8"	G 3/8	3/4-16 UNF	37.0	32	19	24	0.140
3620-08-08	12	1/2"	G 1/2	3/4-16 UNF	37.0	36	22	24	0.157
3620-10-06	16-10	5/8"-3/8"	G 3/8	7/8-14 UNF	43.0	34	22	27	0.180
3620-10-08	16-12	5/8"-1/2"	G 1/2	7/8-14 UNF	43.0	36	22	27	0.212
3620-10-12	16-20	5/8"-3/4"	G 3/4	7/8-14 UNF	43.0	42	27	27	0.237
3620-12-08	20-12	3/4"-1/2"	G 1/2	1 1/16-12 UN	50.0	39	27	36	0.281
3620-12-12	20	3/4"	G 3/4	1 1/16-12 UN	50.0	42	27	36	0.344
3620-16-12	25-20	1"-3/4"	G 3/4	1 5/16-12 UN	53.0	44	33	41	0.397
3620-16-16	25	1"	G 1	1 5/16-12 UN	53.0	46	33	41	0.489
3620-20-20	32	1.1/4"	G 1 1/4	1 5/8 UN	58.0	52	41	50	0.820
3620-24-24	38	1.1/2"	G 1 1/2	1.7/8-12 UN	63.0	59	50	55	1.325

Terminale a T Orientabile centrale M/M BSP- UNF (ISO 11926)

SDRT


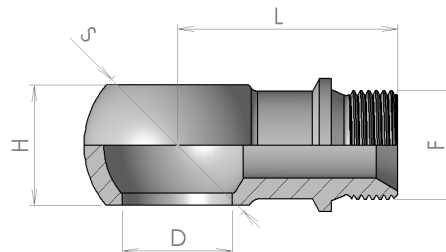
Part number	Dimensions								Weight kg/unit
	Ø		F	F1	L	L1	CH1	CH2	
	tube mm	tube inch							
3625-04-02	6	1/4"	G 1/8	7/16-20 UNF	27.0	22	12	17	0.041
3625-05-02	8-6	5/16"-1/4"	G 1/8	1/2-20 UNF	30.0	25	14	17	0.055
3625-06-04	10-8	3/8"-5/16"	G 1/4	9/16-18 UNF	33.0	27	14	19	0.071
3625-08-04	12-8	1/2"-5/16"	G 1/4	3/4-16 UNF	37.0	29.5	19	24	0.100
3625-08-06	12-10	1/2"-3/8"	G 3/8	3/4-16 UNF	37.0	32	19	24	0.140
3625-08-08	12	1/2"	G 1/2	3/4-16 UNF	37.0	36	22	24	0.157
3625-10-06	16-10	5/8"-3/8"	G 3/8	7/8-14 UNF	43.0	34	22	27	0.180
3625-10-08	16-12	5/8"-1/2"	G 1/2	7/8-14 UNF	43.0	36	22	27	0.212
3625-10-12	16-20	5/8"-3/4"	G 3/4	7/8-14 UNF	43.0	42	27	27	0.237
3625-12-08	20-12	3/4"-1/2"	G 1/2	1 1/16-12 UN	50.0	39	27	36	0.281
3625-12-12	20	3/4"	G 3/4	1 1/16-12 UN	50.0	42	27	36	0.344
3625-16-12	25-20	1"-3/4"	G 3/4	1 5/16-12 UN	53.0	44	33	41	0.397
3625-16-16	25	1"	G 1	1 5/16-12 UN	53.0	46	33	41	0.489
3625-20-20	32	1.1/4"	G 1 1/4	1 5/8 UN	58.0	52	41	50	0.820
3625-24-24	38	1.1/2"	G 1 1/2	1.7/8-12 UN	63.0	59	50	55	1.325

Occhio filettato gas



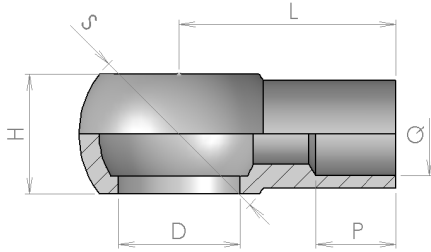
Part number	Dimensions					Weight kg/unit
	F1	D	L	H	S	
1550-04-04	G 1/4	G 1/4	22.0	14.5	24	0.030
1550-06-06	G 3/8	G 3/8	28.0	17	28	0.045
1550-08-06	G 3/8	G 1/2	32.5	22	36	0.086
1550-08-08	G 1/2	G 1/2	32.0	22	36	0.092
1550-12-12	G 3/4	G 3/4	40.0	29	45	0.166
1550-16-16	G 1	G 1	46.0	35	58	0.366

Occhio filettato gas con battuta



Part number	Dimensions				Weight kg/unit
	F	D	L	S	
1560-04-04	G 1/4	13.5	32.0	24	0.039
1560-06-06	G 3/8	17	38.0	28	0.058
1560-08-08	G 1/2	21	55.0	36	0.120
1560-12-12	G 3/4	26.5	53.0	45	0.216

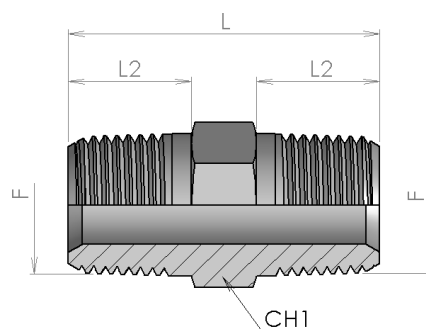
Occhio a saldare gas



Part number	Dimensions					Weight kg/unit
	D	L	H	S	Q	
1450-04-08	G 1/4	24.0	14	24	8	0.034
1450-04-10	G 1/4	24.0	14	24	10	0.030
1450-06-12	G 3/8	28.0	17	28	12	0.039
1450-08-15	G 1/2	32.0	22	36	15	0.075
1450-08-16	G 1/2	32.0	22	36	16	0.073
1450-12-22	G 3/4	40.0	29	45	22	0.105
1450-16-27	G 1	45.0	35	58	27	0.170

Unione diretto maschio BSPT

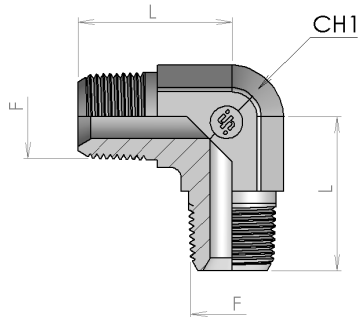
S



Part number	Dimensions						Weight kg/unit
	Ø		F	L	L2	CH1	
	tube mm	tube inch					
1860-02-02	6	1/4"	R 1/8 K	24.5	9.0	12	0.014
1860-04-04	8	5/16"	R 1/4 K	35.0	14.0	15	0.034
1860-06-06	10	3/8"	R 3/8 K	37.5	14.0	19	0.049
1860-08-08	12	1/2"	R 1/2 K	46.0	18.0	22	0.082
1860-12-12	20	3/4"	R 3/4 K	53.0	19.0	27	0.136
1860-16-16	25	1"	R 1 K	60.0	24.0	36	0.224
1860-20-20	32	1.1/4"	R 1 1/4 K	68.0	24.5	46	0.361
1860-24-24	38	1.1/2"	R 1 1/2 K	71.0	25.5	50	0.448
1860-32-32	50	2"	R 2 K	82.0	30.0	65	0.816

Unione a 90° maschio BSPT

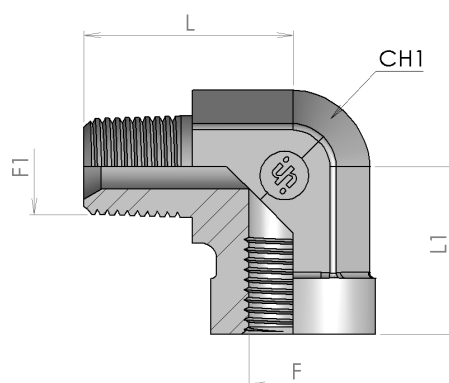
E



Part number	Dimensions					Weight kg/unit
	Ø		F	L	CH1	
	tube mm	tube inch				
4626-02	6	1/4"	R 1/8 K	19.5	12	0.015
4626-04	8	5/16"	R 1/4 K	27.5	14	0.042
4626-06	10	3/8"	R 3/8 K	31.0	19	0.093
4626-08	12	1/2"	R 1/2 K	36.0	22	0.142
4626-12	20	3/4"	R 3/4 K	40.5	27	0.231

Unione a 90° M BSPT F BSPP

E



Part number	Dimensions							Weight kg/unit
	Ø		F	F1	L	L1	CH1	
	tube mm	tube inch						
4625-02	6	1/4"	G 1/8	R 1/8 K	23.5	17	14	0.048
4625-04	8	5/16"	G 1/4	R 1/4 K	29.0	22.5	19	0.065
4625-06	10	3/8"	G 3/8	R 3/8 K	33.5	26	22	0.008
4625-08	12	1/2"	G 1/2	R 1/2 K	38.0	31	27	0.147
4625-12	20	3/4"	G 3/4	R 3/4 K	45.0	34.5	33	0.210
4625-16	25	1"	G 1	R 1 K	55.0	41	41	0.402

Indice

1700	pag 6
1800	pag 7
R605	pag 8
2000	pag 9
2010	pag 10
2020	pag 11
A108	pag 12
A107	pag 13
4520	pag 14
4530	pag 15
4730	pag 16
4900	pag 17
4910	pag 18
4700	pag 19
4710	pag 20
4800	pag 21
4810	pag 22
4720	pag 23
2350	pag 24
4500	pag 25
4510	pag 26
3220	pag 27
3320	pag 28
2550	pag 29
2650	pag 30
2450	pag 31
4550	pag 32
2750	pag 33
2850	pag 34
4570	pag 35
4820	pag 36
A105	pag 37
A608	pag 38
A604	pag 39
A605	pag 40
MG	pag 41
220C	pag 42

Indice

2200	pag 43
1865	pag 44
2360	pag 45
4860	pag 46
4620	pag 47
4630	pag 48
4600	pag 49
4610	pag 50
1875	pag 51
2365	pag 52
4870	pag 53
4670	pag 54
4680	pag 55
4650	pag 56
1700E.....	pag 57
3900	pag 58
3255	pag 59
3950	pag 60
3600	pag 61
3605	pag 62
1805	pag 63
3510	pag 64
3910	pag 65
3410	pag 66
3610	pag 67
3615	pag 68
3520	pag 69
3920	pag 70
3420	pag 71
3620	pag 72
3625	pag 73
1550	pag 74
1560	pag 75
1450	pag 76
1860	pag 77
4626	pag 78
4625	pag 79



INTERPUMP

FLUID SOLUTIONS 

Powered by I.M.M. Hydraulics



I.M.M. Hydraulics Spa
interpumpfluidsolutions.com

Via Italia, 49-51
66041 - Atessa (Ch) - Italy
T. +39 (0) 0872 889225
F. +39 (0) 0872 889226



CAT-IFS-A