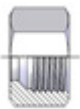


DIN

in



7400



Nuts

6



7410

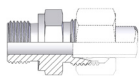


Cutting Rings

7



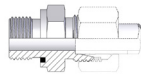
7430



Stud Straight

8-12

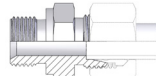
7440



Stud connector for ports with elastomeric sealing (type E) and parell threads

13-15

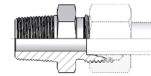
7435



Stud Straight

16-17

7450

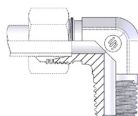


Stud Straight

18-20



7460

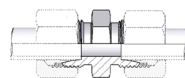


Stud Elbows

21-23



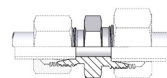
7500



Straight union connector

24

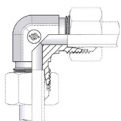
7510



Straight reduced connector

25-26

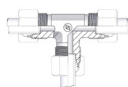
7520



Elbow

27

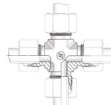
7000



Tee

28

7010

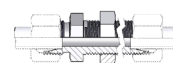


Cross

29



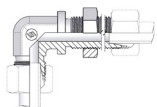
7020



Bulkhead straight connector (BHS) and locknut (LN)

30

7130



Bulkhead elbow (BHE) and locknut (LN)

31

M107



Locknut

32



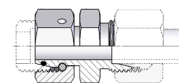
7360



Swivel stud straight adapter with O-ring

33-34

7370



Reducing swivel straight adapter with O-ring

35-38

7380

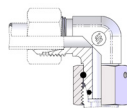


Swivel with two O-ring straight

39



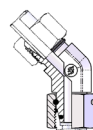
7330



Swivel elbow with O-ring

40

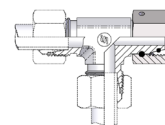
7335



Swivel elbow 45° with O-ring

41

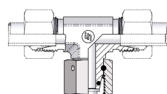
7350



Swivel elbow with O-ring Run Tee

42

7340

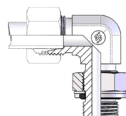


Swivel elbow with O-ring Branch Tee

43



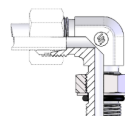
7600



Stud Adjustable elbow

44-46

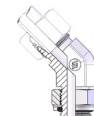
7605



Stud Adjustable elbow

47

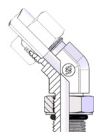
7630



Stud Adjustable 45° elbow

48

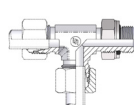
7635



Stud Adjustable 45° elbow

49

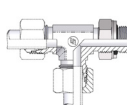
7610



Stud Adjustable Run Tee

50-51

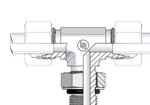
7615



Stud Adjustable Run Tee

52

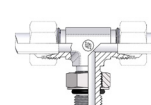
7620



Stud Adjustable Branch Tee

53-54

7625



Stud Adjustable Branch Tee

55

7240

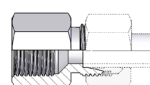


Stud straight

56-57



7250

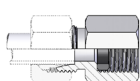


Straight

58-59



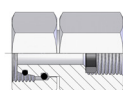
7030



Straight Gauge couplings

60

7035



Swivel with O-ring Gauge Coupling

61



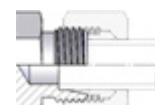
7260



Male Plug Elastomeric sealing

62-63

7270



Male Plug

64

7290

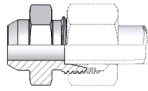


Plug with O-ring

65



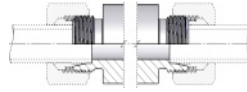
7420



Weld-on straight connector

66

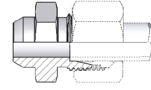
7120



Weld-in bulkhead straight connector

67

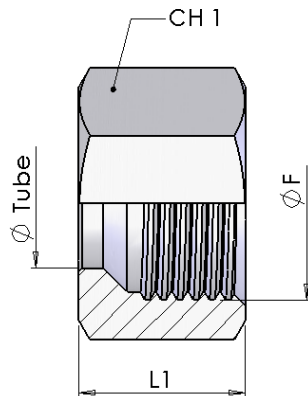
7280



Weld-on nipple with O-ring

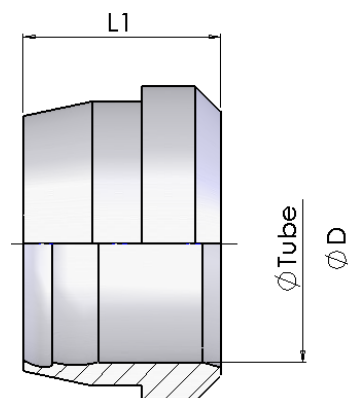
68

Dadi per Raccordi 24° (ISO 8434-1) N



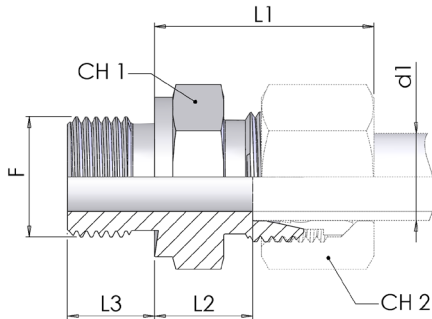
Type	W.P. bar	Part number	Dimensions				Weight kg/unit
			Thread			∅	
			F	CH1	L1	tube mm	
LL	100	7400-04LLNI	M 8x1	10	11.0	4	0,004
		7400-06LLNI	M 10x1	12	11.5	6	0,006
		7400-08LLNI	M 12x1	14	12.0	8	0,007
L	315	7400-06LNI	M 12x1,5	14	14.5	6	0,010
		7400-08LNI	M 14x1,5	17	14.5	8	0,015
		7400-10LNI	M 16x1,5	19	15.5	10	0,018
		7400-12LNI	M 18x1,5	22	15.5	12	0,025
		7400-15LNI	M 22x1,5	27	17.0	15	0,042
		7400-18LNI	M 26x1,5	32	18.0	18	0,062
L	160	7400-22LNI	M 30x2	36	20.0	22	0,082
		7400-28LNI	M 36x2	41	21.0	28	0,089
		7400-35LNI	M 45x2	50	24.0	35	0,137
		7400-42LNI	M 52x2	60	24.0	42	0,216
S	630	7400-06SNI	M 14x1,5	17	16.5	6	0,017
		7400-08SNI	M 16x1,5	19	16.5	8	0,020
		7400-10SNI	M 18x1,5	22	17.5	10	0,031
		7400-12SNI	M 20x1,5	24	17.5	12	0,034
		7400-14SNI	M 22x1,5	27	20.5	14	0,053
S	400	7400-16SNI	M 24x1,5	30	20.5	16	0,066
		7400-20SNI	M 30x2	36	24.0	20	0,102
		7400-25SNI	M 36x2	46	27.0	25	0,202
S	250	7400-30SNI	M 42x2	50	29.0	30	0,219
		7400-38SNI	M 52x2	60	32.5	38	0,339

Anellino tagliente (ISO 8434-1) CR



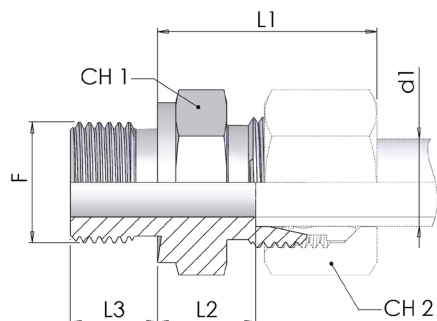
Type	W.P. bar	Part number	Dimensions			Weight kg/unit
			D	L1	Ø tube mm	
LL	100	7410-04LL	6	6.0	4	0,0003
		7410-06LL	8	7.0	6	0,0008
		7410-08LL	10	7.0	8	0,0010
LS	630	7410-06LS	10	9.5	6	0,0017
		7410-08LS	12	9.5	8	0,0022
		7410-10LS	14	10.0	10	0,0031
		7410-12LS	16	10.0	12	0,0035
L	250	7410-15L	19	10.0	15	0,0045
L	160	7410-18L	23	10.0	18	0,0055
		7410-22L	27	10.5	22	0,0077
L	100	7410-28L	33	11.0	28	0,0094
		7410-35L	41	13.0	35	0,0200
		7410-42L	48	13.0	42	0,0230
S	630	7410-14S	19	10.0	14	0,0390
S	400	7410-16S	21	10.5	16	0,0560
		7410-20S	26	12.0	20	0,0154
		7410-25S	32	12.0	25	0,0133
S	250	7410-30S	36	13.0	30	0,0193
		7410-38S	44	13.0	38	0,2250

Terminale diritto Filettatura: BSPB (Form B ISO 1179-4) SDS



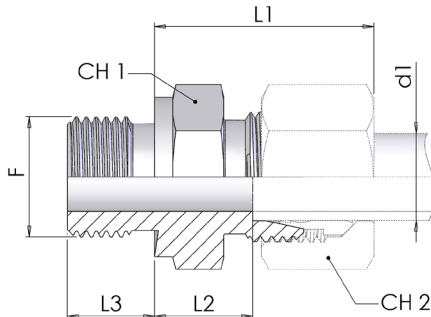
Type	W.P. bar	Part number	Dimensions						Ø tube mm	Weight kg/unit
			CH1	CH2	F	L1	L2	L3		
L	315	7430-06LR-1NI	14	14	G 1/8	23.0	8.5	8	6	0,014
		7430-06LR04-1NI	19	14	G 1/4	24.5	10	12	6	0,024
		7430-06LR06-1NI	22	14	G 3/8	26.0	11.5	12	6	0,040
		7430-08LR02-1NI	14	17	G 1/8	24.5	9.5	8	8	0,027
		7430-08LR-1NI	19	17	G 1/4	25.0	10	12	8	0,027
		7430-08LR06-1NI	22	17	G 3/8	26.5	11.5	12	8	0,044
		7430-08LR08-1NI	27	17	G 1/2	27.0	12	14	8	0,074
		7430-10LR-1NI	19	19	G 1/4	26.0	11	12	10	0,030
		7430-10LR06-1NI	22	19	G 3/8	27.5	12.5	12	10	0,045
		7430-10LR08-1NI	27	19	G 1/2	28.0	13	14	10	0,072
		7430-12LR04-1NI	19	22	G 1/4	26.5	12	12	12	0,032
		7430-12LR-1NI	22	22	G 3/8	27.0	12.5	12	12	0,042
		7430-12LR08-1NI	27	22	G 1/2	27.5	13	14	12	0,071
		7430-15LR06-1NI	24	27	G 3/8	28.5	13.5	12	15	0,052
		7430-15LR-1NI	27	27	G 1/2	29.0	14	14	15	0,071
		7430-15LR12-1NI	32	27	G 3/4	30.0	15	16	15	0,117
		7430-18LR-1NI	27	32	G 1/2	31.0	14.5	14	18	0,070
		7430-18LR12-1NI	32	32	G 3/4	31.0	14.5	16	18	0,110
L	160	7430-22LR08-1NI	32	36	G 1/2	33.0	16.5	14	22	0,088
		7430-22LR-1NI	32	36	G 3/4	33.0	16.5	16	22	0,103
		7430-28LR12-1NI	41	41	G 3/4	34.0	17.5	16	28	0,143
		7430-28LR-1NI	41	41	G 1	34.0	17.5	18	28	0,169
		7430-35LR-1NI	50	50	G 1 1/4	39.0	17.5	20	35	0,274
		7430-42LR-1NI	55	60	G 1 1/2	42.0	19	22	42	0,349

Terminale diritto Filettatura: BSPP (Form B ISO 1179-4) SDS



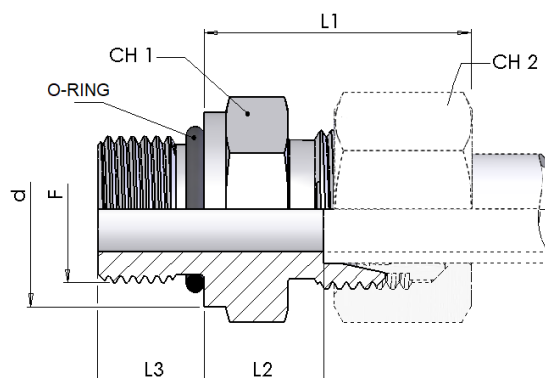
Type	W.P. bar	Part number	Dimensions						Ø tube mm	Weight kg/unit
			CH1	CH2	F	L1	L2	L3		
S	630	7430-06SR-1NI	19	17	G 1/4	28.0	13	12	6	0,035
		7430-06SR08-1NI	27	17	G 1/2	33.0	18	14	6	0,067
		7430-08SR-1NI	19	19	G 1/4	30.0	15	12	8	0,041
		7430-08SR06-1NI	22	19	G 3/8	30.5	15.5	12	8	0,055
		7430-10SR04-1NI	19	22	G 1/4	30.5	14.5	12	10	0,042
		7430-10SR-1NI	22	22	G 3/8	31.0	15	12	10	0,056
		7430-10SR08-1NI	27	22	G 1/2	33.5	17.5	14	10	0,078
		7430-12SR04-1NI	22	24	G 1/4	32.5	16.5	12	12	0,057
		7430-12SR-1NI	22	24	G 3/8	33.0	17	12	12	0,062
		7430-12SR08-1NI	27	24	G 1/2	33.5	17.5	14	12	0,097
		7430-14SR06-1NI	24	27	G 3/8	36.5	18.5	12	14	0,075
7430-14SR-1NI	27	27	G 1/2	37.0	19	14	14	0,098		
S	400	7430-16SR06-1NI	27	30	G 3/8	36.5	18	12	16	0,084
		7430-16SR-1NI	27	30	G 1/2	37.0	18.5	14	16	0,091
		7430-16SR12-1NI	32	30	G 3/4	39.0	20.5	16	16	0,155
		7430-20SR08-1NI	32	36	G 1/2	42.0	20.5	14	20	0,133
		7430-20SR-1NI	32	36	G 3/4	42.0	20.5	16	20	0,151
		7430-25SR12-1NI	41	46	G 3/4	47.0	23	16	25	0,241
		7430-25SR-1NI	41	46	G 1	47.0	23	18	25	0,266
		7430-30SR16-1NI	46	50	G 1	50.0	23.5	18	30	0,328
7430-30SR-1NI	50	50	G 1 1/4	50.0	23.5	20	30	0,417		
S	315	7430-38SR20-1NI	55	60	G 1 1/4	57.0	26	20	38	0,550
		7430-38SR-1NI	55	60	G 1 1/2	57.0	26	22	38	0,566

Terminale diritto Filettatura: Metrica (Form B ISO 9974-3) SDS



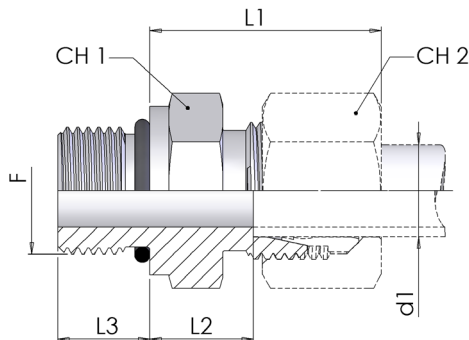
Type	W.P. bar	Part number	Dimensions						Ø tube mm	Weight kg/unit
			CH1	CH2	F	L1	L2	L3		
L	315	7430-06LM-1NI	14	14	M 10x1	23.0	8.5	8	6	0,014
		7430-08LM-1NI	17	17	M 12x1,5	25.0	10	12	8	0,022
		7430-08LM14-1NI	19	17	M 14x1,5	26.0	10	12	8	0,029
		7430-08LM18-1NI	24	17	M 18x1,5	26.5	11.5	12	8	0,052
		7430-10LM-1NI	19	19	M 14x1,5	26.0	11	12	10	0,030
		7430-10LM16-1NI	22	19	M 16x1,5	27.5	12.5	12	10	0,042
		7430-10LM18-1NI	24	19	M 18x1,5	27.5	12.5	12	10	0,052
		7430-10LM22-1NI	27	19	M 22x1,5	29.0	14	14	10	0,081
		7430-12LM-1NI	22	22	M 16x1,5	27.0	12.5	12	12	0,040
		7430-12LM18-1NI	24	22	M 18x1,5	27.0	12.5	12	12	0,045
		7430-12LM22-1NI	27	22	M 22x1,5	28.5	14	14	12	0,078
		7430-15LM-1NI	24	27	M 18x1,5	29.0	12	13.5	15	0,051
		7430-15LM22-1NI	27	27	M 22x1,5	30.0	15	14	15	0,078
		7430-18LM-1NI	27	32	M 22x1,5	31.0	14.5	14	18	0,077
7430-18LM18-1NI	27	32	M 18x1,5	30.5	14	12	18	0,066		
L	160	7430-22LM-1NI	32	36	M 26x1,5	33.0	16.5	16	22	0,101
		7430-28LM-1NI	41	41	M 33x2	34.0	17.5	18	28	0,167
		7430-35LM-1NI	50	50	M 42x2	39.0	17.5	20	35	0,278
		7430-42LM-1NI	55	60	M 48x2	42.0	19	22	42	0,354
S	630	7430-06SM-1NI	17	17	M 12x1,5	28.0	13	12	6	0,031
		7430-08SM-1NI	19	19	M 14x1,5	30.0	15	12	8	0,043
		7430-10SM-1NI	22	22	M 16x1,5	31.0	15	12	10	0,054
		7430-12SM-1NI	24	24	M 18x1,5	33.0	17	12	12	0,071
		7430-14SM-1NI	27	27	M 20x1,5	37.0	19	14	14	0,092
S	400	7430-16SM-1NI	27	30	M 22x1,5	37.0	18.5	14	16	0,097
		7430-20SM-1NI	32	36	M 27x2	42.0	20.5	16	20	0,153
		7430-25SM-1NI	41	46	M 33x2	47.0	23	18	25	0,266
		7430-30SM-1NI	50	50	M 42x2	50.0	23.5	20	30	0,428
S	315	7430-38SM-1NI	55	60	M 48x2	57.0	26	22	38	0,573

Terminale diritto Filettatura: Metrica (Form F ISO 6149-2/3)



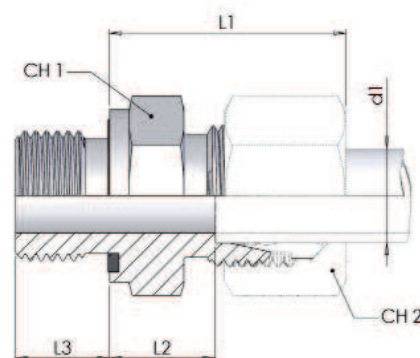
Type	W.P. bar	Part number	Dimensions						Ø tube mm	Weight kg/unit
			CH1	CH2	F	L1	L2	L3		
L	315	7430-06LI-1NI	14	14	M 10x1	23.0	8.5	8	6	0,015
		7430-08LI-1NI	17	17	M 12x1,5	25.0	10	12	8	0,022
		7430-10LI-1NI	19	19	M 14x1,5	26.0	11	12	10	0,029
		7430-12LI-1NI	22	22	M 16x1,5	27.0	12.5	12	12	0,040
		7430-15LI-1NI	24	27	M 18x1,5	29.0	14	14	15	0,052
		7430-18LI-1NI	27	32	M 22x1,5	31.0	14.5	14	18	0,077
L	160	7430-22LI-1NI	32	36	M 27x2	33.0	16.5	16	22	0,105
		7430-28LI-1NI	41	41	M 33x2	34.0	17.5	18	28	0,164
		7430-35LI-1NI	50	50	M 42x2	39.0	17.5	20	35	0,265
		7430-42LI-1NI	55	60	M 48x2	42.0	19	22	42	0,330
S	630	7430-06SI-1NI	17	17	M 12x1,5	28.0	13	12	6	0,029
		7430-08SI-1NI	19	19	M 14x1,5	30.0	15	12	8	0,041
		7430-10SI-1NI	22	22	M 16x1,5	31.0	15	12	10	0,055
		7430-12SI-1NI	24	24	M 18x1,5	33.0	17	12	12	0,075
S	400	7430-16SI-1NI	27	30	M 22x1,5	37.0	18.5	14	16	0,099
		7430-20SI-1NI	32	36	M 27x2	42.0	20.5	16	20	0,164
		7430-25SI-1NI	41	46	M 33x2	47.0	23	18	25	0,269
S	250	7430-30SI-1NI	50	50	M 42x2	50.0	23.5	20	30	0,493
		7430-38SI-1NI	55	60	M 48x2	57.0	26	22	38	0,571

Terminale diritto Filettatura: UNF (ISO 11926-2/3)



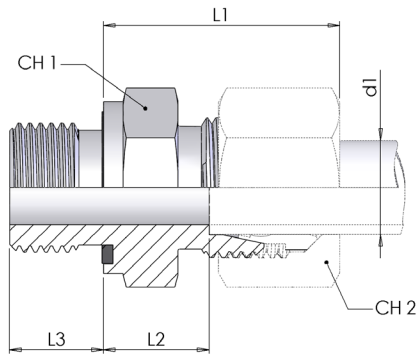
Type	W.P. bar	Part number	Dimensions						Ø tube mm	Weight kg/unit
			CH1	CH2	F	L1	L2	L3		
L	315	7430-08LU04-1NI	14	17	7/16-20 UNF	25.0	10	9	8	0,021
		7430-10LU04-1NI	17	19	7/16-20 UNF	26.0	11	9	10	0,024
		7430-12LU06-1NI	19	22	9/16-18 UNF	25.5	11	10	12	0,032
		7430-12LU08-1NI	22	22	3/4-16 UNF	27.5	13	11	12	0,045
L	400	7430-12LU10-1NI	27	22	7/8-14 UNF	29.3	12.8	12.7	12	0,07
L	315	7430-15LU08-1NI	27	27	3/4-16 UNF	29.0	14	11	15	0,054
		7430-15LU10-1NI	27	27	7/8-14 UNF	29.0	14	11	15	0,075
		7430-18LU08-1NI	27	32	3/4-16 UNF	31.0	14.5	11	18	0,066
		7430-18LU10-1NI	27	32	7/8-14 UNF	31.5	15	12.5	18	0,074
L	160	7430-22LU10-1NI	32	36	7/8-14 UNF	33.5	17	12.5	22	0,098
		7430-22LU12-1NI	32	36	1 1/16-12 UN	33.0	16.5	15	22	0,102
L	250	7430-22LU16-1NI	41	36	1 5/16-12 UN	34.0	16.5	15	22	0,175
L	160	7430-28LU12-1NI	41	41	1 1/16-12 UN	34.0	17.5	15	28	0,143
		7430-28LU16-1NI	41	41	1 5/16-12 UN	34.0	17.5	15	28	0,162
		7430-35LU16-1NI	46	50	1 5/16-12 UN	39.0	17.5	15	35	0,211
		7430-35LU20-1NI	50	50	1 5/8-12 UN	39.0	17.5	15	35	0,249
		7430-42LU20-1NI	55	60	1 5/8-12 UN	42.0	19	15	42	0,308
S	630	7430-08SU04-1NI	17	19	7/16-20 UNF	29.0	14.8	9.2	8	0,035
		7430-10SU06-1NI	19	22	9/16-18 UNF	31.0	15	10	10	0,041
		7430-12SU08-1NI	22	24	3/4-16 UNF	33.5	17.5	11	12	0,074
S	400	7430-16SU08-1NI	27	30	3/4-16 UNF	34.0	15.5	11	16	0,081
		7430-16SU10-1NI	27	30	7/8-14 UNF	37.5	19	12.5	16	0,087
		7430-20SU08-1NI	32	36	3/4-16 UNF	42.0	20.5	11	20	0,127
		7430-20SU10-1NI	32	36	7/8-14 UNF	42.5	21	12.5	20	0,138
		7430-20SU12-1NI	32	36	1 1/16-12 UN	42.0	20.5	15	20	0,150
		7430-25SU12-1NI	41	46	1 1/16-12 UN	47.0	23	15	25	0,24
		7430-25SU16-1NI	41	46	1 5/16-12 UN	47.0	23	15	25	0,257
S	250	7430-30SU16-1NI	46	50	1 5/16-12 UN	50.0	23.5	15	30	0,31
S	250	7430-30SU20-1NI	50	20	1 5/8-12 UN	50.0	23.5	15	30	0,381

Terminale diritto Filettatura: BSPP Form E ISO 1179-2)



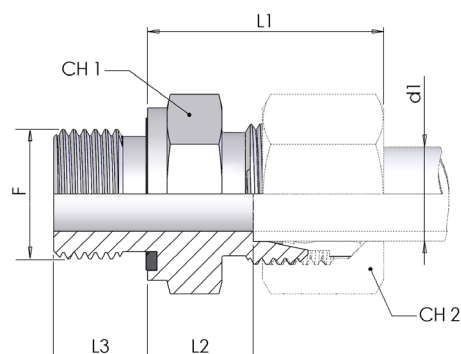
Type	W.P. bar	Part number	Dimensions						Ø tube mm	Weight kg/unit
			CH1	CH2	F	L1	L2	L3		
L	315	7440-06LR-1NI	14	14	G 1/8	23.0	8.5	8	6	0,013
		7440-06LR04-1NI	19	14	G 1/4	24.5	10	12	6	0,027
		7440-06LR06-1NI	22	14	G 3/8	26.0	11.5	12	6	0,038
		7440-08LR02-1NI	14	17	G 1/8	24.5	9.5	8	8	0,015
		7440-08LR-1NI	19	17	G 1/4	25.0	10	12	8	0,027
		7440-08LR06-1NI	22	17	G 3/8	26.5	11.5	12	8	0,044
		7440-08LR08-1NI	27	17	G 1/2	27.0	12	14	8	0,072
		7440-10LR02-1NI	17	19	G 1/8	25.5	110.5	8	10	0,020
		7440-10LR-1NI	19	19	G 1/4	26.0	11	12	10	0,029
		7440-10LR06-1NI	22	19	G 3/8	27.5	12.5	12	10	0,042
		7440-10LR08-1NI	27	19	G 1/2	28.0	13	14	10	0,063
		7440-12LR04-1NI	19	22	G 1/4	26.5	12	12	12	0,032
		7440-12LR-1NI	22	22	G 3/8	27.0	12.5	12	12	0,042
		7440-12LR08-1NI	27	22	G 1/2	27.5	13	14	12	0,067
		7440-15LR06-1NI	24	27	G 3/8	28.5	13.5	12	15	0,051
		7440-15LR-1NI	27	27	G 1/2	29.0	14	14	15	0,071
		7440-15LR12-1NI	32	27	G 3/4	30.0	15	16	15	0,117
		L	160	7440-18LR06-1NI	27	32	G 3/8	30.5	14	12
7440-18LR-1NI	27			32	G 1/2	31.0	14.5	14	18	0,070
7440-18LR12-1NI	32			32	G 3/4	31.0	14.5	16	18	0,109
7440-22LR08-1NI	32			36	G 1/2	33.0	16.5	14	22	0,087
7440-22LR-1NI	32			36	G 3/4	33.0	16.5	16	22	0,102
L	160	7440-22LR16-1NI	41	36	G 1	34.0	17.5	18	22	0,184
		7440-28LR12-1NI	41	41	G 3/4	34.0	17.5	16	28	0,146
L	250	7440-28LR-1NI	41	41	G 1	34.0	17.5	18	28	0,165
		7440-28LR20-1NI	50	46	G 1 1/4	34.0	18.5	20	28	0,255
L	160	7440-35LR16-1NI	46	50	G 1	39.0	17.5	18	35	0,238
		7440-35LR-1NI	50	50	G 1 1/4	39.0	17.5	20	35	0,271
		7440-42LR20-1NI	55	60	G 1 1/4	42.0	19	20	42	0,336

Terminale diritto Filettatura: BSPP (Form E ISO 1179-2)



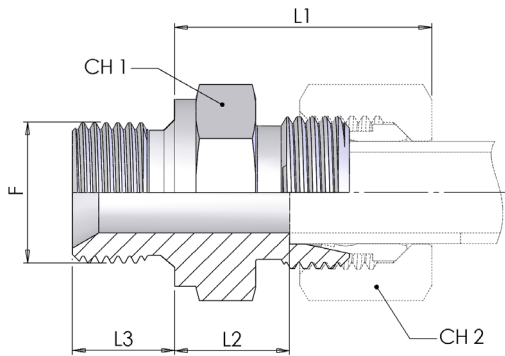
Type	W.P. bar	Part number	Dimensions							Weight kg/unit
			CH1	CH2	F	L1	L2	L3	Ø tube mm	
L	160	7440-42LR-1NI	55	60	G 1 1/2	42.0	19	22	42	0,500
S	630	7440-06SR-1NI	19	17	G 1/4	28.0	13	12	6	0,035
		7440-08SR-1NI	19	19	G 1/4	30.0	15	12	8	0,041
		7440-08SR06-1NI	22	19	G 3/8	30.5	15.5	12	8	0,057
		7440-10SR04-1NI	19	22	G 1/4	30.5	14.5	12	10	0,042
		7440-10SR-1NI	22	22	G 3/8	31.0	15	12	10	0,055
		7440-10SR08-1NI	27	22	G 1/2	33.5	17.5	14	10	0,089
		7440-12SR04-1NI	22	24	G 1/4	32.5	16.5	12	12	0,056
		7440-12SR-1NI	22	24	G 3/8	33.0	17	12	12	0,062
		7440-12SR08-1NI	27	24	G 1/2	33.5	17.5	14	12	0,091
		7440-14SR06-1NI	24	27	G 3/8	36.5	18.5	12	14	0,083
		7440-14SR-1NI	27	27	G 1/2	37.0	19	14	14	0,096
		7440-16SR06-1NI	27	30	G 3/8	36.5	18	12	16	0,081
		7440-16SR-1NI	27	30	G 1/2	37.0	18.5	14	16	0,092
		S	400	7440-16SR12-1NI	32	30	G 3/4	39.0	20.5	16
7440-20SR08-1NI	32			36	G 1/2	42.0	20.5	14	20	0,135
7440-20SR-1NI	32			36	G 3/4	42.0	20.5	16	20	0,149
7440-20SR16-1NI	41			36	G 1	42.0	22.5	18	20	0,250
7440-25SR12-1NI	41			46	G 3/4	47.0	23	16	25	0,237
7440-25SR-1NI	41			46	G 1	44.0	22.5	18	25	0,263
7440-25SR20-1NI	50			46	G 1 1/4	47.0	23	20	25	0,265
7440-30SR16-1NI	46			520	G 1	50.2	15.5	18	30	0,330
7440-30SR-1NI	50			50	G 1 1/4	50.0	23.5	20	30	0,419
7440-30SR24-1NI	55			50	G 1 1/2	53.0	26.5	22	30	0,64
L	400	7440-38SR16-1NI	55	60	G 1	57.0	26	18	38	0,45
S	315	7440-38SR20-1NI	55	60	G 1 1/4	57.0	26	20	38	0,555
		7440-38SR-1NI	55	60	G 1 1/2	57.0	26	22	38	0,559

Terminale diritto Filettatura: Metrica (Form E ISO 9974-2) SDS



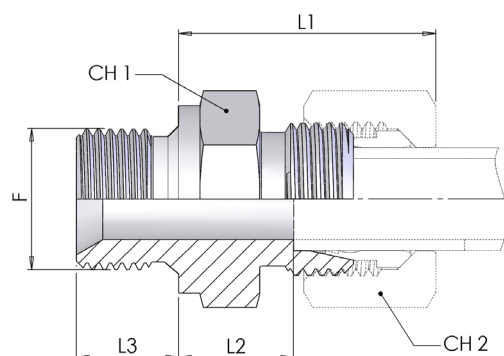
Type	W.P. bar	Part number	Dimensions						Ø tube mm	Weight kg/unit
			CH1	CH2	F	L1	L2	L3		
L	315	7440-06LM-1NI	14	14	M 10x1	23.0	8.5	8	6	0,014
		7440-08LM-1NI	17	17	M 12x1,5	25.0	10	12	8	0,021
		7440-10LM-1NI	19	19	M 14x1,5	26.0	11	12	10	0,029
		7440-10LM16-1NI	22	19	M 16x1,5	27.5	12.5	12	10	0,042
		7440-10LM18-1NI	24	19	M 18x1,5	27.5	12.5	12	10	0,049
		7440-10LM22-1NI	27	19	M 22x1,5	29.0	14	14	10	0,080
		7440-12LM14-1NI	19	22	M 14x1,5	27.0	12.5	12	12	0,029
		7440-12LM-1NI	22	22	M 16x1,5	27.0	12.5	12	12	0,039
		7440-12LM18-1NI	24	22	M 18x1,5	27.0	12.5	12	12	0,044
		7440-12LM22-1NI	27	22	M 22x1,5	28.5	14	14	12	0,064
		7440-15LM16-1NI	24	27	M 16x1,5	28.0	13	12	15	0,048
		7440-15LM-1NI	24	27	M 18x1,5	2.0	13.5	12	15	0,051
		7440-15LM22-1NI	27	27	M 22x1,5	30.0	15	14	15	0,071
		7440-18LM-1NI	27	32	M 18x1,5	30.5	14	12	18	0,065
7440-18LM18-1NI	27	32	M 22x1,5	31.0	14.5	14	18	0,074		
L	160	7440-22LM22-1NI	32	36	M 22x1,5	33.0	16.5	14	22	0,090
		7440-22LM-1NI	32	36	M 26x1,5	33.0	16.5	16	22	0,101
		7440-28LM-1NI	41	41	M 33x2	34.0	17.5	18	28	0,164
		7440-35LM-1NI	50	50	M 42x2	39.0	17.5	20	35	0,273
		7440-42LM-1NI	55	60	M 48x2	42.0	19	22	42	0,346
S	630	7440-06SM-1NI	17	17	M 12x1,5	28.0	13	12	6	0,029
		7440-08SM-1NI	19	19	M 14x1,5	30.0	15	12	8	0,041
		7440-10SM-1NI	22	22	M 16x1,5	31.0	15	12	10	0,053
		7440-12SM-1NI	24	24	M 18x1,5	33.0	17	12	12	0,071
		7440-14SM-1NI	27	27	M 20x1,5	37.0	19	14	14	0,094
		7440-16SM18-1NI	27	30	M 18x1,5	36.5	18	12	16	0,081
S	400	7440-16SM-1NI	27	30	M 22x1,5	37.0	18.5	14	16	0,096
		7440-20SM-1NI	32	36	M 27x2	42.0	20.5	16	20	0,151
		7440-25SM-1NI	41	46	M 33x2	47.0	23	18	25	0,265
S	315	7440-30SM-1NI	50	50	M 42x2	50.0	23.5	20	30	0,417
		7440-38SM-1NI	55	60	M 48x2	57.0	26	22	38	0,564

Terminale diritto Filettatura: BSPB (ISO 8434-6)



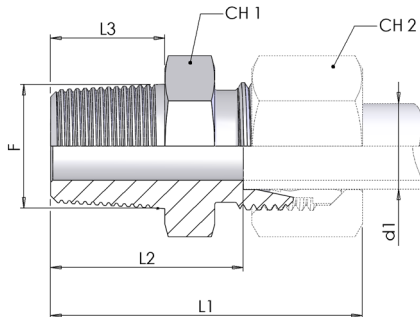
Type	W.P. bar	Part number	Dimensions						Ø tube mm	Weight kg/unit
			CH1	CH2	F	L1	L2	L3		
L	315	7435-06LR-1NI	14	14	G 1/8	23.0	8.5	8	6	0,014
		7435-06LR04-1NI	19	14	G 1/4	25.0	9	11	6	0,025
		7435-06LR06-1NI	22	14	G 3/8	26.0	11.5	12	6	0,042
		7435-08LR-1NI	19	17	G 1/4	25.0	10	11	8	0,027
		7435-10LR-1NI	19	19	G 1/4	26.0	11	11	10	0,027
		7435-10LR06-1NI	22	19	G 3/8	27.0	12.5	12	10	0,043
		7435-10LR08-1NI	27	19	G 1/2	28.0	13	14	10	0,068
		7435-12LR04-1NI	19	22	G 1/4	27.0	12	11	12	0,031
		7435-12LR-1NI	22	22	G 3/8	27.0	12.5	12	12	0,046
		7435-12LR08-1NI	27	22	G 1/2	28.0	13	14	12	0,067
		7435-15LR06-1NI	24	27	G 3/8	29.0	13.5	12	15	0,051
		7435-15LR-1NI	27	27	G 1/2	29.0	14	14	15	0,077
		7435-15LR12-1NI	32	27	G 3/4	30.0	15	16	15	0,112
		7435-18LR-1NI	27	32	G 1/2	31.0	14.5	14	18	0,071
7435-18LR12-1NI	32	32	G 3/4	30.0	14.5	16	18	0,106		
L	160	7435-22LR08-1NI	32	36	G 1/2	33.0	16.5	14	22	0,088
		7435-22LR-1NI	32	36	G 3/4	33.0	16.5	16	22	0,102
		7435-22LR16-1NI	41	36	G 1	34.0	16.5	19	22	0,167
		7435-28LR-1NI	41	41	G 1	34.0	17.5	19	28	0,167
		7435-35LR-1NI	50	50	G 1 1/4	39.0	17.5	20	35	0,272

**Terminale diritto Filettatura:
BSPP
(ISO 8434-6)**



Type	W.P. bar	Part number	Dimensions						Ø tube mm	Weight kg/unit
			CH1	CH2	F	L1	L2	L3		
L	160	7435-42LR-1NI	55	60	G 1 1/2	42.0	19	22	42	0,345
S	630	7435-06SR-1NI	19	17	G 1/4	28.0	13	11	6	0,034
		7435-08SR-1NI	19	19	G 1/4	30.0	15	11	8	0,041
		7435-10SR-1NI	22	22	G 3/8	31.0	15	12	10	0,055
		7435-12SR-1NI	22	24	G 3/8	33.0	17	12	12	0,061
		7435-12SR08-1NI	27	24	G 1/2	34.0	17.5	14	12	0,092
		7435-14SR-1NI	27	27	G 1/2	37.0	19	14	14	0,094
S	400	7435-16SR-1NI	27	30	G 1/2	37.0	18.5	14	16	0,090
		7435-20SR-1NI	32	36	G 3/4	42.0	20.5	16	20	0,163
		7435-25SR-1NI	41	46	G 1	47.0	23	18	25	0,257
S	250	7435-30SR-1NI	50	50	G 1 1/4	50.0	23.5	20	30	0,403
		7435-38SR-1NI	55	60	G 1 1/2	57.0	26	22	38	0,555

Terminale diritto Filettatura: BSPT conica (Form C DIN 3852-2) SDS

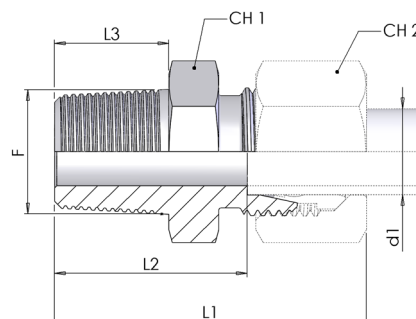


Tipo di tenuta: filettatura conica

Type	W.P. bar	Part number	Dimensions						Ø tube mm	Weight kg/unit
			Thread	CH1	CH2	L1	L2	L3		
			F							
LL	100	7450-04LLR-1NI	R 1/8 K	12	10	26.5	17	9	4	0,008
		7450-06LLR-1NI	R 1/8 K	12	12	26.5	15.5	9	6	0,009
		7450-08LLR-1NI	R 1/8 K	12	14	28.5	17.5	9	8	0,009
L	315	7450-06LR-1NI	R 1/8 K	12	14	30.0	16	9	6	0,012
		7450-06LR04-1NI	R 1/4 K	14	14	34.5	20	12	6	0,019
		7450-08LR-1NI	R 1/4 K	17	17	35.0	20	12	8	0,022
		7450-10LR-1NI	R 1/4 K	17	19	36.0	21	12	10	0,023
		7450-12LR04-1NI	R 1/4 K	19	22	36.5	22	12	12	0,028
		7450-12LR-1NI	R 3/8 K	19	22	36.5	22	12	12	0,033
		7450-12LR08-1NI	R 1/2 K	22	22	38.5	24	14	12	0,055
		7450-15LR-1NI	R 1/2 K	24	27	40.0	25	14	15	0,058
L	160	7450-18LR-1NI	R 1/2 K	27	32	42.0	25.5	14	18	0,064
		7450-22LR-1NI	R 3/4 K	32	36	46.0	29.5	16	22	0,096
		7450-28LR-1NI	R 1 K	41	41	49.0	32.5	18	28	0,156

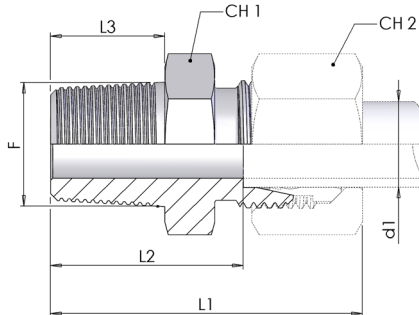
Terminale diritto Filettatura: Metrica conica (Form C DIN 3852-1) SDS

Tipo di tenuta: filettatura conica



Type	W.P. bar	Part number	Dimensions						Weight kg/unit	
			Thread	CH1	CH2	L1	L2	L3		Ø tube mm
LL	100	7450-04LLM-1NI	M 8x1K	12	10	26.5	16	8	4	0,006
		7450-06LLM-1NI	M 10x1K	12	12	26.5	14.5	8	6	0,008
		7450-08LLM-1NI	M 10x1K	12	14	28.5	16.5	8	8	0,010

Terminale diritto per tubo 24° Filettatura: NPTF conica SDS

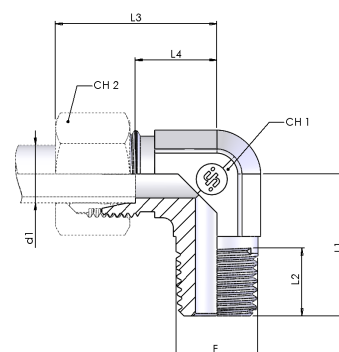


Tipo di tenuta: filettatura conica (ASME B1.20.1)

Type	W.P. bar	Part number	Dimensions						Weight kg/unit	
			Thread	CH1	CH2	L1	L2	L3		Ø tube mm
L	315	7450-06LN-1NI	1/8 NPTF	12	14	31.5	17	10	6	0,012
		7450-06LN04-1NI	1/4 NPTF	17	14	38.0	23	15	6	0,026
		7450-08LN-1NI	1/4 NPTF	17	17	38.0	23	15	8	0,025
		7450-10LN-1NI	1/4 NPTF	17	19	39.0	24	15	10	0,025
		7450-10LN06-1NI	3/8 NPTF	19	19	40.0	25	15	10	0,037
		7450-12LN04-1NI	1/4 NPTF	19	22	39.5	25	15	12	0,032
		7450-12LN-1NI	3/8 NPTF	19	22	39.5	25	15	12	0,036
		7450-12LN08-1NI	1/2 NPTF	22	22	44.5	30	19.5	12	0,064
		7450-15LN-1NI	1/2 NPTF	24	27	46.0	31	19.5	15	0,068
L	160	7450-18LN-1NI	1/2 NPTF	27	32	48.0	31.5	19.5	18	0,072
		7450-22LN-1NI	3/4 NPTF	32	36	50.0	33.5	20	22	0,101
		7450-28LN-1NI	1 NPTF	41	41	56.0	39.5	25	28	0,172
		7450-35LN-1NI	1 1/4 NPTF	46	50	62.0	40.5	25.5	35	0,256
S	630	7450-42LN-1NI	1 1/2 NPTF	55	60	65.0	42	26	42	0,352
		7450-06SN-1NI	1/4 NPTF	17	17	41.0	26	15	6	0,033
		7450-08SN-1NI	1/4 NPTF	17	19	43.0	28	15	8	0,038
		7450-10SN04-1NI	1/4 NPTF	19	22	44.0	25.5	13	10	0,043
		7450-10SN-1NI	3/8 NPTF	19	22	43.5	27.5	15	10	0,048
		7450-12SN04-1NI	1/4 NPTF	22	24	46.0	27.5	13	12	0,058
		7450-12SN-1NI	3/8 NPTF	22	24	45.5	29.5	15	12	0,062
		7450-12SN08-1NI	1/2 NPTF	22	24	50.5	34.5	19.5	12	0,090
S	400	7450-14SN-1NI	1/2 NPTF	24	27	54.0	36	19.5	14	0,099
		7450-16SN-1NI	1/2 NPTF	27	30	54.0	35.5	19.5	16	0,094
		7450-20SN-1NI	3/4 NPTF	32	36	59.0	37.5	20	20	0,149
		7450-25SN-1NI	1 NPTF	41	46	69.0	45	25	25	0,250
S	315	7450-30SN-1NI	1 1/4 NPTF	46	50	73.0	46.5	25.5	30	0,393
S	315	7450-38SN-1NI	1 1/2 NPTF	55	60	80.0	49	26	38	0,572

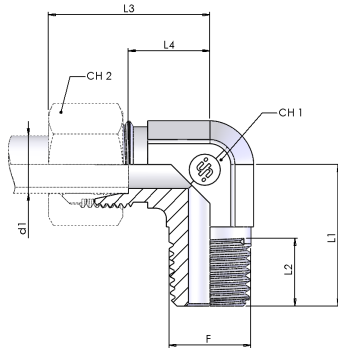
Terminale a 90° Filettatura: BSPT conica (Form C DIN 3852-2) SDE

Tipo di tenuta: filettatura conica



Type	W.P. bar	Part number	Dimensions							Ø tube mm	Weight kg/unit
			CH1	CH2	F	L1	L2	L3	L4		
L	315	7460-06LR-1NI	12	14	R 1/8 K	19.5	8	27	12	6	0,027
		7460-06LR04-1NI	12	14	R 1/4 K	27.5	12	29	14	6	0,035
		7460-08LR02-1NI	12	17	R 1/8 K	22.0	8	29	14	8	0,035
		7460-08LR-1NI	12	17	R 1/4 K	27.5	12	29	14	8	0,030
		7460-10LR-1NI	14	19	R 1/4 K	27.5	12	30	15	10	0,040
		7460-08LR06-1NI	14	17	R 3/8 K	28.0	12	31	16	8	0,055
		7460-10LR06-1NI	14	19	R 3/8 K	28.0	12	32	17	10	0,056
		7460-12LR04-1NI	17	22	R 1/4 K	29.0	12	32	17	12	0,070
		7460-12LR-1NI	17	22	R 3/8 K	29.5	12	32	17	12	0,072
		7460-12LR08-1NI	19	22	R 1/2 K	34.0	14	34	20	12	0,097
		7460-15LR06-1NI	19	27	R 3/8 K	30.0	12	36	21	15	0,09
		7460-15LR-1NI	19	27	R 1/2 K	36.0	14	36	21	15	0,095
7460-18LR-1NI	24	32	R 1/2 K	36.0	14	40	23.5	18	0,126		
L	160	7460-22LR-1NI	27	36	R 3/4 K	40.5	17	44	27.5	22	0,212
S	630	7460-06SR-1NI	12	17	R 1/4 K	27.5	12	31	16	6	0,045
		7460-08SR-1NI	14	19	R 1/4 K	27.5	12	32	17	8	0,055
		7460-10SR-1NI	17	22	R 3/8 K	29.5	12	34	17.5	10	0,085
		7460-12SR-1NI	17	24	R 3/8 K	29.5	12	38	21.5	12	0,080
		7460-12SR08-1NI	19	24	R 1/2 K	36.0	14	37	20.5	12	0,105
		7460-14SR-1NI	19	27	R 1/2 K	36.0	14	40	22	14	0,105
S	400	7460-16SR-1NI	24	30	R 1/2 K	36.0	14	43	24.5	16	0,139
		7460-20SR-1NI	27	36	R 3/4 K	40.5	17	48	26.5	20	0,239

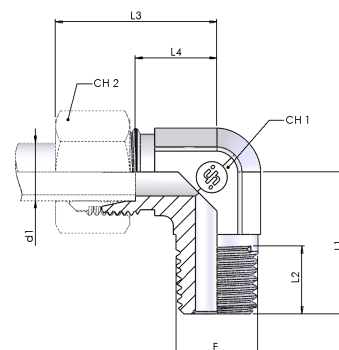
Terminale a 90° Filettatura: Metrica conica (Form C DIN 3852-1) SDE



Tipo di tenuta: filettatura conica

Type	W.P. bar	Part number	Dimensions							Ø tube mm	Weight kg/unit
			CH1	CH2	F	L1	L2	L3	L4		
L	315	7460-06LM-1NI	12	14	M 10x1,5 K	20.0	8	27	12	6	0,029
		7460-08LM-1NI	12	17	M 12x1,5 K	26.0	12	29	14	8	0,043
		7460-10LM-1NI	14	19	M 14x1,5 K	27.0	12	30	15	10	0,062
		7460-12LM-1NI	17	22	M 16x1,5 K	28.0	12	32	17	12	0,085
		7460-15LM-1NI	19	27	M 18x1,5 K	32.0	12	36	21	15	0,083
		7460-18LM-1NI	24	32	M 22x1,5 K	36.0	14	40	23.5	18	0,130
S	630	7460-06SM-1NI	12	17	M 12x1,5 K	26.0	12	31	16	6	0,052
		7460-08SM-1NI	14	19	M 14x1,5 K	27.0	12	32	17	8	0,074
		7460-10SM-1NI	17	22	M 16x1,5 K	28.0	12	34	17.5	10	0,090
		7460-12SM-1NI	17	24	M 18x1,5 K	28.0	12	38	21.5	12	0,100
		7460-14SM-1NI	19	27	M 20x1,5 K	32.0	14	40	22	14	0,104
S	400	7460-16SM-1NI	24	30	M 22x1,5 K	32.0	14	43	24.5	16	0,145

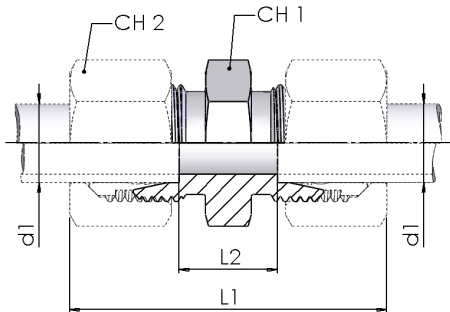
Terminale a 90° Filettatura: NPTF conica SDE



note: Tipo di tenuta: filettatura conica (ASME B1.20.1)

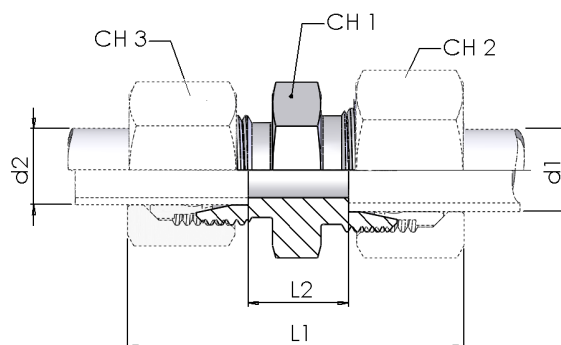
Type	W.P. bar	Part number	Dimensions							Ø tube mm	Weight kg/unit
			CH1	CH2	F	L1	L2	L3	L4		
L	315	7460-06LN-1NI	12	14	1/8 NPTF	20.0	10	27	12	6	0,030
		7460-06LN04-1NI	12	14	1/4 NPTF	26.0	15	29	14	6	0,035
		7460-08LN-1NI	12	17	1/4 NPTF	26.0	15	29	14	8	0,036
		7460-10LN-1NI	14	19	1/4 NPTF	27.0	15	30	15	10	0,049
		7460-12LN04-1NI	17	22	1/4 NPTF	28.0	15	32	17	12	0,071
		7460-12LN-1NI	17	22	3/8 NPTF	28.0	15	32	17	12	0,075
		7460-15LN-1NI	19	27	1/2 NPTF	34.0	19.5	36	21	15	0,090
		7460-18LN-1NI	24	32	1/2 NPTF	36.0	19.5	40	23.5	18	0,129
L	160	7460-22LN-1NI	27	36	3/4 NPTF	42.0	20	44	27.5	22	0,174
		7460-28LN-1NI	36	41	1 NPTF	48.0	25	47	30.6	28	0,285
S	630	7460-06SN-1NI	12	17	1/4 NPTF	26.0	15	31	16	6	0,046
		7460-08SN-1NI	14	19	1/4 NPTF	27.0	15	32	17	8	0,057
		7460-10SN-1NI	17	22	3/8 NPTF	28.0	15	34	17.5	10	0,075
		7460-12SN-1NI	17	24	3/8 NPTF	28.0	15	38	21.5	12	0,076
		7460-14SN-1NI	19	27	1/2 NPTF	34.0	19.5	40	22	14	0,104
S	400	7460-16SN-1NI	24	30	1/2 NPTF	36.0	19.5	43	24.5	16	0,146

Unione diritto (ISO 8434-1) S



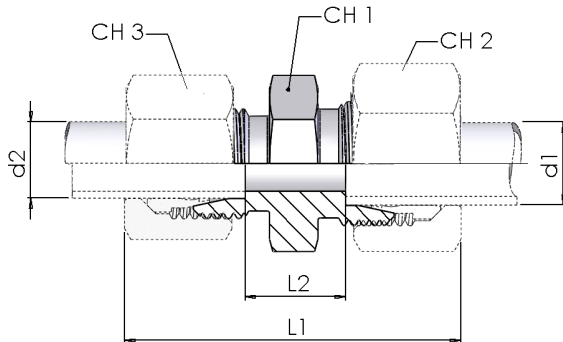
Type	W.P. bar	Part number	Dimensions				Ø tube mm	Weight kg/unit
			CH1	CH2	L1	L2		
LL	100	7500-04LL-1NI	12	10	31.0	12	4	0,005
		7500-06LL-1NI	12	11	32.0	9	6	0,007
		7500-08LL-1NI	12	14	35.0	12	8	0,010
L	315	7500-06L-1NI	12	14	39.0	10	6	0,012
		7500-08L-1NI	14	17	40.0	11	8	0,016
		7500-10L-1NI	17	19	42.0	13	10	0,022
		7500-12L-1NI	19	22	43.0	14	12	0,028
		7500-15L-1NI	24	27	46.0	16	15	0,049
		7500-18L-1NI	27	32	48.0	16	18	0,067
L	160	7500-22L-1NI	32	36	52.0	20	22	0,088
		7500-28L-1NI	41	41	54.0	21	28	0,136
		7500-35L-1NI	46	50	63.0	20	35	0,210
		7500-42L-1NI	55	60	66.0	21	42	0,294
S	630	7500-06S-1NI	14	17	45.0	16	6	0,025
		7500-08S-1NI	17	19	47.0	18	8	0,037
		7500-10S-1NI	19	22	49.0	17	10	0,043
		7500-12S-1NI	22	24	51.0	19	12	0,059
		7500-14S-1NI	24	27	57.0	22	14	0,075
S	400	7500-16S-1NI	27	30	57.0	21	16	0,087
		7500-20S-1NI	32	36	66.0	23	20	0,142
		7500-25S-1NI	41	46	74.0	26	25	0,250
S	250	7500-30S-1NI	46	50	80.0	27	30	0,323
		7500-38S-1NI	55	60	90.0	29	38	0,538

Unione diretto di riduzione (ISO 8434-1)



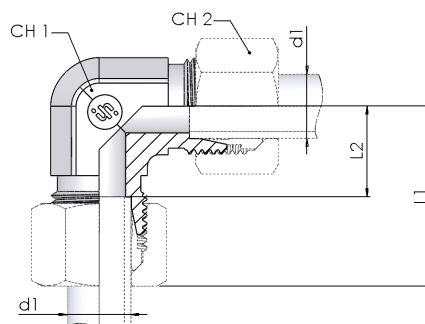
Type	W.P. bar	Part number	Dimensions						Weight kg/unit	
			CH1	CH2	CH3	L1	L2	Ø		
			CH1	CH2	CH3	L1	L2	tube d1 mm	tube d2 mm	
L	315	7510-08/06L-1NI	14	17	14	40.5	11	8	6	0,015
		7510-10/06L-1NI	17	19	14	41.5	12	10	6	0,020
		7510-10/08L-1NI	17	19	17	42.0	12	10	8	0,021
		7510-12/06L-1NI	19	22	14	42.0	13	12	6	0,025
		7510-12/08L-1NI	19	22	17	42.5	13	12	8	0,026
		7510-12/10L-1NI	19	22	19	43.5	14	12	10	0,027
		7510-15/10L-1NI	24	27	19	45.0	15	15	10	0,041
		7510-15/12L-1NI	24	27	22	44.5	15	15	12	0,042
		7510-18/10L-1NI	27	32	19	47.0	15.5	18	10	0,056
		7510-18/12L-1NI	27	32	22	46.5	15.5	18	12	0,057
L	160	7510-18/15L-1NI	27	32	27	48.0	16.5	18	15	0,061
		7510-22/12L-1NI	32	36	22	48.5	17.5	22	12	0,076
		7510-22/15L-1NI	32	36	27	50.0	18.5	22	15	0,081
		7510-22/18L-1NI	32	36	32	51.0	18	22	18	0,086
		7510-28/18L-1NI	41	41	32	52.0	19	28	18	0,123
		7510-28/22L-1NI	41	41	36	54.0	21	28	22	0,132
		7510-35/22L-1NI	46	50	36	59.0	21	35	22	0,190
S	630	7510-35/28L-1NI	46	50	41	59.0	21	35	28	0,190
		7510-08/06S-1NI	17	19	17	48.0	18	8	6	0,034
		7510-10/06S-1NI	19	22	17	48.5	17.5	10	6	0,040

Unione diretto di riduzione (ISO 8434-1)



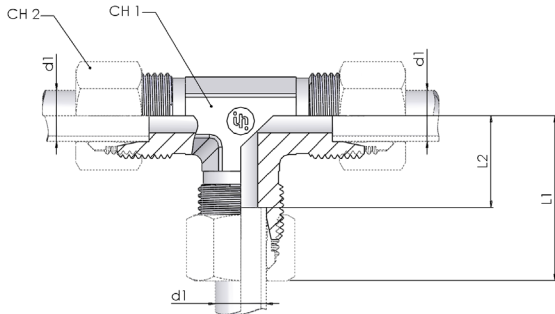
Type	W.P. bar	Part number	Dimensions						Weight kg/unit	
			CH1	CH2	CH3	L1	L2	Ø		
			CH1	CH2	CH3	L1	L2	tube d1 mm	tube d2 mm	
S	630	7510-10/08S-1NI	19	22	19	48.5	17.5	10	8	0,042
		7510-12/06S-1NI	22	24	17	50.5	19.5	12	6	0,054
		7510-12/08S-1NI	22	24	19	50.5	19.5	12	8	0,056
		7510-12/10S-1NI	22	24	22	51.0	19	12	10	0,058
		7510-14/10S-1NI	24	27	22	54.5	20.5	14	10	0,069
		7510-14/12S-1NI	24	27	24	54.5	20.5	14	12	0,070
S	400	7510-16/12S-1NI	27	30	24	54.5	20	16	12	0,080
		7510-16/14S-1NI	27	30	27	58.0	21.5	16	14	0,087
		7510-20/10S-1NI	32	36	22	59.5	22	20	10	0,122
		7510-20/12S-1NI	32	36	24	59.5	22	20	12	0,125
		7510-20/16S-1NI	32	36	30	63.0	23	20	16	0,129
		7510-25/16S-1NI	41	46	30	68.0	25.5	25	16	0,220
		7510-25/20S-1NI	41	46	36	71.0	25.5	25	20	0,232
		7510-30/20S-1NI	46	50	36	74.0	26	30	20	0,294
S	315	7510-30/25S-1NI	46	50	46	77.0	26.5	30	25	0,311
		7510-38/30S-1NI	55	60	50	87.0	29.5	38	30	0,488

Unione a 90° (ISO 8434-1) E



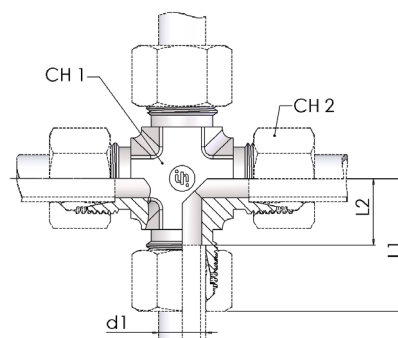
Type	W.P. bar	Part number	Dimensions					Weight kg/unit
			CH1	CH2	L1	L2	Ø tube mm	
L	315	7520-06L-1NI	12	14	27.0	12	6	0,028
		7520-08L-1NI	12	17	29.0	14	8	0,032
		7520-10L-1NI	14	19	30.0	15	10	0,041
		7520-12L-1NI	17	22	32.0	17	12	0,056
		7520-15L-1NI	19	27	36.0	21	15	0,074
		7520-18L-1NI	24	32	40.0	23.5	18	0,119
L	160	7520-22L-1NI	27	36	44.0	27.5	22	0,152
		7520-28L-1NI	36	41	47.0	30.5	28	0,251
		7520-35L-1NI	41	50	56.0	34.5	35	0,431
		7520-42L-1NI	50	60	63.0	40	42	0,782
S	630	7520-06S-1NI	12	17	31.0	16	6	0,035
		7520-08S-1NI	14	19	32.0	17	8	0,052
		7520-10S-1NI	17	22	34.0	17.5	10	0,072
		7520-12S-1NI	17	24	38.0	21.5	12	0,075
		7520-14S-1NI	19	27	40.0	22	14	0,104
S	400	7520-16S-1NI	24	30	43.0	24.5	16	0,127
		7520-20S-1NI	27	36	48.0	26.5	20	0,205
		7520-25S-1NI	36	46	54.0	30	25	0,349
		7520-30S-1NI	41	50	62.0	35.5	30	0,588
S	315	7520-38S-1NI	50	60	72.0	41	38	1,031

Unione a T (ISO 8434-1) T



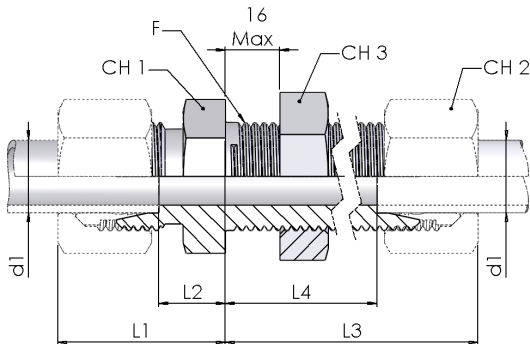
Type	W.P. bar	Part number	Dimensions				Ø tube mm	Weight kg/unit
			CH1	CH2	L1	L2		
L	315	7000-06L-1NI	12	14	27.0	12	6	0,037
		7000-08L-1NI	12	17	29.0	14	8	0,043
		7000-10L-1NI	14	19	30.0	15	10	0,048
		7000-12L-1NI	17	22	32.0	17	12	0,065
		7000-15L-1NI	19	27	36.0	21	15	0,106
		7000-18L-1NI	24	32	40.0	23.5	18	0,179
L	160	7000-22L-1NI	27	36	44.0	27.5	22	0,225
		7000-28L-1NI	36	41	47.0	30.5	28	0,396
		7000-35L-1NI	41	50	56.0	34.5	35	0,567
		7000-42L-1NI	50	60	63.0	40	42	0,905
S	630	7000-06S-1NI	12	17	31.0	16	6	0,068
		7000-08S-1NI	14	19	32.0	17	8	0,070
		7000-10S-1NI	17	22	34.0	17.5	10	0,091
		7000-12S-1NI	17	24	38.0	21.5	12	0,117
		7000-14S-1NI	19	27	40.0	22	14	0,136
S	400	7000-16S-1NI	24	24	16.0	43	16	0,202
		7000-20S-1NI	27	27	20.0	48	20	0,289
		7000-25S-1NI	36	36	25.0	54	25	0,545
		7000-30S-1NI	41	41	30.0	62	30	0,758
S	315	7000-38S-1NI	50	50	38.0	72	38	1,264

**Unione a croce
(ISO 8434-1)
K**



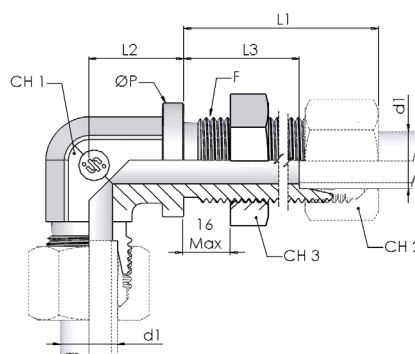
Type	W.P. bar	Part number	Dimensions					Weight kg/unit
			CH1	CH2	L1	L2	Ø tube mm	
L	315	7010-06L-1NI	14	14	27.0	12	6	0,039
		7010-08L-1NI	14	17	29.0	14	8	0,066
		7010-10L-1NI	14	19	30.0	15	10	0,072
		7010-12L-1NI	19	22	32.0	17	12	0,102
		7010-15L-1NI	19	27	36.0	21	15	0,127
		7010-18L-1NI	27	32	40.0	23.5	18	0,188
L	160	7010-22L-1NI	27	36	44.0	27.5	22	0,210
S	630	7010-06S-1NI	14	17	31.0	16	6	0,066
		7010-08S-1NI	14	19	32.0	17	8	0,081
		7010-10S-1NI	19	22	34.0	17.5	10	0,127
		7010-12S-1NI	19	24	38.0	21.5	12	0,169
S	400	7010-16S-1NI	27	30	43.0	24.5	16	0,260
		7010-20S-1NI	27	36	48.0	26.5	20	0,294

Passaparete Dritto (ISO 8434-1) BHSLN



Type	W.P. bar	Part number	Dimensions								Ø tube mm	Weight kg/unit
			Thread F	CH1	CH2	CH3	L1	L2	L3	L4		
L	315	7020-06L-1NI	M 12x1,5	17	14	17	22.0	7	42	27	6	0,038
		7020-08L-1NI	M 14x1,5	19	17	19	23.0	8	42	27	8	0,049
		7020-10L-1NI	M 16x1,5	22	19	22	25.0	10	43	28	10	0,066
		7020-12L-1NI	M 18x1,5	24	22	24	25.0	10	44	29	12	0,076
		7020-15L-1NI	M 22x1,5	27	27	30	27.0	12	46	31	15	0,128
		7020-18L-1NI	M 26x1,5	32	32	36	30.0	13.5	49	32.5	18	0,199
L	160	7020-22L-1NI	M 30x2	36	36	41	33.0	16.5	51	34.5	22	0,248
		7020-28L-1NI	M 36x2	41	41	46	35.0	18.5	52	35.5	28	0,338
		7020-35L-1NI	M 45x2	50	50	55	40.0	18.5	58	36.5	35	0,539
		7020-42L-1NI	M 52x2	60	60	65	42.0	19	59	36	42	0,756
S	630	7020-06S-1NI	M 14x1,5	19	17	19	27.0	12	44	29	6	0,065
		7020-08S-1NI	M 16x1,5	22	19	22	28.0	13	44	29	8	0,087
		7020-10S-1NI	M 18x1,5	24	22	24	31.0	14.5	46	29.5	10	0,110
		7020-12S-1NI	M 20x1,5	27	24	27	31.0	14.5	47	30.5	12	0,139
		7020-14S-1NI	M 22x1,5	30	27	30	35.0	17	50	32	14	0,178
S	400	7020-16S-1NI	M 24x1,5	32	30	32	35.0	16.5	50	31.5	16	0,197
		7020-20S-1NI	M 30x2	41	36	41	39.0	17.5	55	33.5	20	0,345
		7020-25S-1NI	M 36x2	46	46	46	44.0	20	59	35	25	0,492
		7020-30S-1NI	M 42x2	50	50	50	48.0	21.5	64	37.5	30	0,617
S	315	7020-38S-1NI	M 52x2	65	60	65	53.0	22	68	30	38	1,080

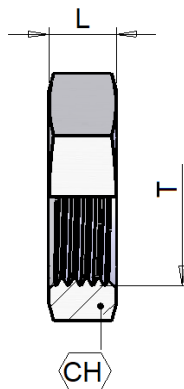
Passaparete a 90° (ISO 8434-1) BHELN



Type	W.P. bar	Part number	Dimensions								Weight kg/unit	
			Thread							Ø		
			F	CH1	CH2	CH3	L1	L2	L3	P	tube mm	
L	315	7130-06L-1NI	M 12x1,5	12	14	17	42.0	14	27	17	6	0,049
		7130-08L-1NI	M 14x1,5	12	17	19	42.0	17	27	19	8	0,061
		7130-10L-1NI	M 16x1,5	14	19	22	43.0	18	28	22	10	0,079
		7130-12L-1NI	M 18x1,5	17	22	24	44.0	20	29	24	12	0,096
		7130-15L-1NI	M 22x1,5	19	27	30	46.0	23	31	27	15	0,169
		7130-18L-1NI	M 26x1,5	24	32	36	49.0	24	32.5	32	18	0,255
L	160	7130-22L-1NI	M 30x2	27	36	41	51.0	30	34.5	36	22	0,318
		7130-28L-1NI	M 36x2	36	41	46	52.0	34	35.5	42	28	0,462
S	630	7130-06S-1NI	M 14x1,5	12	17	19	44.0	17	29	19	6	0,076
		7130-08S-1NI	M 16x1,5	14	19	22	44.0	18	29	22	8	0,102
		7130-10S-1NI	M 18x1,5	17	22	24	46.0	20	29.5	24	10	0,124
		7130-12S-1NI	M 20x1,5	17	24	27	47.0	21	30.5	27	12	0,160
		7130-14S-1NI	M 22x1,5	19	27	30	50.0	23	32	27	14	0,196
S	400	7130-16S-1NI	M 24x1,5	24	30	32	50.0	24	31.5	30	16	0,238
		7130-20S-1NI	M 30x2	27	36	41	55.0	30	33.5	36	20	0,399
		7130-25S-1NI	M 36x2	36	46	46	59.0	34	35	42	25	0,609

M107

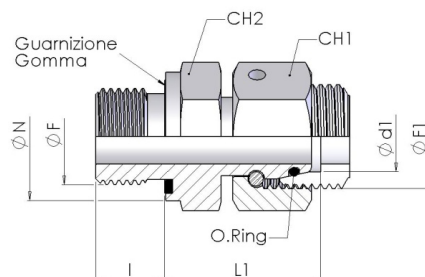
Controdado per passaparete



Part number	Dimensions			Weight kg/unit
	Thread			
	T	CH	L	
M107-12NI	M12x1,5	17	6	0,006
M107-14NI	M14x1,5	19	6	0,008
M107-16NI	M16x1,5	22	6	0,011
M107-18NI	M18x1,5	24	6	0,013
M107-20NI	M20x1,5	27	6	0,015
M107-22NI	M22x1,5	30	7	0,022
M107-24NI	M24x1,5	32	7	0,024
M107-26NI	M26x1,5	36	8	0,036
M107-30NI	M30x2	41	8	0,048
M107-36NI	M36x2	46	9	0,059
M107-42NI	M42x2	50	9	0,059
M107-45NI	M45x2	55	9	0,076
M107-52NI	M52x2	65	10	0,125

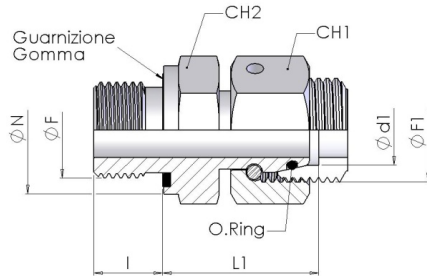
Raccordo diritto filettatura: BSPP (Form E ISO 1179-2)

DKO con guarnizione standard: FKM Guarnizione opzionale: NBR, EPDM



Type	W.P. bar	Part number	Dimensions								Weight kg/unit
			CH1	CH2	I	L1	F	F1	N	Ø tube D1 mm	
L	315	7360-06LRNI	14	14	8	24.5	1/8"	M12x1,5	14	6	0,026
		7360-08LRNI	17	19	12	29.5	1/4"	M14x1,5	19	8	0,057
		7360-10LRNI	19	19	12	27.5	1/4"	M16x1,5	19	10	0,056
L	400	7360-10LR06NI	19	22	12	28.0	3/8"	M16x1,5	22	10	0,07
L	315	7360-12LR04NI	19	19	12	27.5	1/4"	M18x1,5	19	12	0,069
		7360-12LRNI	22	22	12	34.0	3/8"	M18x1,5	22	12	0,096
		7360-12LR08NI	27	27	14	32.0	1/2"	M18x1,5	22	12	0,118
		7360-15LRNI	27	27	14	32.0	1/2"	M22x1,5	27	15	0,141
		7360-18LRNI	32	27	14	31.5	1/2"	M26x1,5	27	18	0,144
L	160	7360-22LRNI	36	32	16	32.5	3/4"	M30x2	32	22	0,201
		7360-28LRNI	41	41	18	35.0	1"	M36x2	40	28	0,293
		7360-35LRNI	50	50	20	42.5	1" 1/4	M45x2	50	35	0,509
		7360-42LRNI	60	55	22	46.5	1" 1/2	M52x2	55	42	0,722
S	630	7360-06SRNI	17	19	12	27.0	1/4"	M14x1,5	19	6	0,054
		7360-08SRNI	19	19	12	29.5	1/4"	M16x1,5	19	8	0,064
		7360-10SRNI	22	22	12	32.0	3/8"	M18x1,5	22	10	0,094
		7360-12SR04NI	24	19	12	30.0	1/4"	M20x1,5	19	12	0,077
		7360-12SRNI	24	22	12	34.0	3/8"	M20x1,5	22	12	0,100
		7360-12SR08NI	24	27	14	35.5	1/2"	M20x1,5	27	12	0,145
S	400	7360-14SRNI	27	27	14	36.5	1/2"	M22x1,5	27	14	0,164
		7360-16SRNI	30	27	14	37.0	1/2"	M24x1,5	27	16	0,171
		7360-20SRNI	36	32	16	43.0	3/4"	M30x2	32	20	0,272
		7360-25SRNI	46	41	18	48.0	1"	M36x2	40	25	0,506
S	315	7360-30SRNI	50	50	20	51.0	1" 1/4	M42x2	50	30	0,685
		7360-38SRNI	60	55	22	60.0	1" 1/2	M52x2	55	38	0,955

Raccordo diretto Filettatura: Metrica (Form E ISO 9974-2) SWOSDS

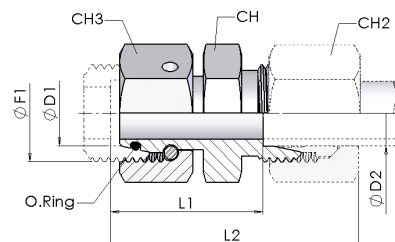


DKO con guarnizione standard: FKM Guarnizione opzionale: NBR, EPDM

Type	W.P. bar	Part number	Dimensions							Weight kg/unit	
			CH1	CH2	I	L1	F	F1	N		Ø tube D1 mm
L	315	7360-06LMNI	14	14	8	24.5	M10x1	M12x1,5	14	6	0,026
		7360-08LMNI	17	17	12	26.5	M12x1,5	M14x1,5	17	8	0,044
		7360-10LMNI	19	19	12	27.5	M14x1,5	M16x1,5	19	10	0,057
		7360-12LMNI	22	22	12	30.5	M16x1,5	M18x1,5	22	12	0,083
		7360-15LMNI	27	24	12	31.5	M18x1,5	M22x1,5	24	15	0,119
		7360-18LMNI	32	27	14	31.5	M22x1,5	M26x1,5	27	18	0,153
L	160	7360-22LMNI	36	32	16	32.5	M26x1,5	M30x2	32	22	0,202
		7360-28LMNI	41	41	18	35.0	M33x2	M36x2	40	28	0,286
		7360-35LMNI	50	50	20	42.5	M42x2	M45x2	50	35	0,500
		7360-42LMNI	60	55	22	46.5	M48x2	M52x2	55	42	0,716
S	630	7360-06SMNI	17	17	12	27.0	M12x1,5	M14x1,5	17	6	0,047
		7360-08SMNI	19	19	12	29.5	M14x1,5	M16x1,5	19	8	0,064
		7360-10SMNI	22	22	12	32.0	M16x1,5	M18x1,5	22	10	0,090
		7360-12SMNI	24	24	12	34.0	M18x1,5	M20x1,5	24	12	0,111
		7360-14SMNI	27	27	14	36.5	M20x1,5	M22x1,5	26	14	0,157
S	400	7360-16SMNI	30	27	14	37.0	M22x1,5	M24x1,5	27	16	0,176
		7360-20SMNI	36	32	16	43.0	M27x2	M30x2	32	20	0,276
		7360-25SMNI	46	41	18	48.0	M33x2	M36x2	40	25	0,505
		7360-30SMNI	50	50	20	51.0	M42x2	M42x2	50	30	0,697
S	315	7360-38SMNI	60	55	22	60.0	M48x2	M52x2	55	38	0,764

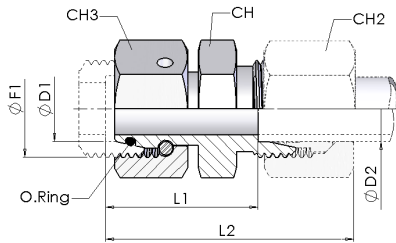
Raccordo di riduzione - (serie L) RDSW

DKO con guarnizione standard: FKM Guarnizione opzionale: NBR, EPDM



Type	W.P. bar	Part number	Dimensions							Weight kg/unit	
			CH	CH2	CH3	L1	L2	\varnothing			
L	315	7370-08/06L-1NI	12	14	17	23.5	38	8	6	14x1,5	0,029
		7370-10/06L-1NI	14	14	19	25.0	40	10	6	16x1,5	0,038
		7370-10/08L-1NI	14	17	19	25.0	40	10	8	16x1,5	0,038
		7370-12/06L-1NI	17	14	22	25.0	40	12	6	18x1,5	0,050
		7370-12/08L-1NI	17	17	22	25.0	40	12	8	18x1,5	0,051
		7370-12/10L-1NI	17	19	22	26.0	41	12	10	18x1,5	0,052
		7370-15/06L-1NI	22	14	27	28.5	43	15	6	22x1,5	0,087
		7370-15/08L-1NI	22	17	27	28.5	43	15	8	22x1,5	0,088
		7370-15/10L-1NI	22	19	27	29.5	44	15	10	22x1,5	0,089
		7370-15/12L-1NI	22	22	27	29.5	44	15	12	22x1,5	0,090
		7370-18/06L-1NI	24	14	32	28.0	43	18	6	26x1,5	0,111
		7370-18/08L-1NI	24	17	32	28.0	43	18	8	26x1,5	0,111
		7370-18/10L-1NI	24	19	32	29.0	44	18	10	26x1,5	0,112
		7370-18/12L-1NI	24	22	32	29.0	44	18	12	26x1,5	0,113
		7370-18/15L-1NI	24	27	32	30.0	45	18	15	26x1,5	0,118
L	160	7370-22/06L-1NI	27	14	36	32.0	47	22	6	30x2	0,154
		7370-22/08L-1NI	27	17	36	32.0	47	22	8	30x2	0,155
		7370-22/10L-1NI	27	19	36	33.0	48	22	10	30x2	0,157
		7370-22/12L-1NI	27	22	36	33.0	48	22	12	30x2	0,161
		7370-22/15L-1NI	27	27	36	34.0	49	22	15	30x2	0,162
		7370-22/18L-1NI	27	32	36	33.5	50	22	18	30x2	0,166
		7370-28/08L-1NI	36	17	41	34.0	49	28	8	36x2	0,201
		7370-28/10L-1NI	36	19	46	35.0	50	28	10	36x2	0,25
		7370-28/12L-1NI	36	22	41	35.0	50	28	12	36x2	0,201
7370-28/15L-1NI	36	27	41	36.0	51	28	15	36x2	0,206		

Raccordo di riduzione - (serie L) RDSW

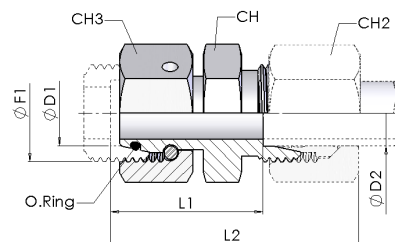


DKO con guarnizione standard: FKM Guarnizione opzionale: NBR, EPDM

Type	W.P. bar	Part number	Dimensions							Weight kg/unit	
			CH	CH2	CH3	L1	L2	Ø			
L	160	7370-28/18L-1NI	36	32	41	36.5	52	28	18	36x2	0,210
		7370-28/22L-1NI	36	36	41	37.5	54	28	22	36x2	0,210
		7370-35/08L-1NI	41	17	50	37.0	52	35	8	45x2	0,306
		7370-35/10L-1NI	41	19	50	38.0	53	35	10	45x2	0,323
		7370-35/12L-1NI	41	22	50	38.0	53	35	12	45x2	0,313
		7370-35/15L-1NI	41	27	50	39.0	54	35	15	45x2	0,316
		7370-35/18L-1NI	41	32	50	38.5	55	35	18	45x2	0,319
		7370-35/22L-1NI	41	36	50	40.5	57	35	22	45x2	0,321
		7370-35/28L-1NI	41	41	50	40.5	57	35	28	45x2	0,323
		7370-42/06L-1NI	50	14	60	40.5	55	42	6	52x2	0,525
		7370-42/08L-1NI	50	17	60	41.0	48	42	8	52x2	0,52
		7370-42/10L-1NI	50	19	60	42.0	56	42	10	52x2	0,528
		7370-42/12L-1NI	50	22	60	41.5	56	42	12	52x2	0,518
		7370-42/15L-1NI	50	27	60	42.5	58	42	15	52x2	0,534
		7370-42/18L-1NI	50	32	60	42.0	58	42	18	52x2	0,527
		7370-42/22L-1NI	50	36	60	44.0	60	42	22	52x2	0,515
		7370-42/28L-1NI	50	41	60	44.0	61	42	28	52x2	0,515
		7370-42/35L-1NI	50	50	60	43.0	65	42	35	52x2	0,531

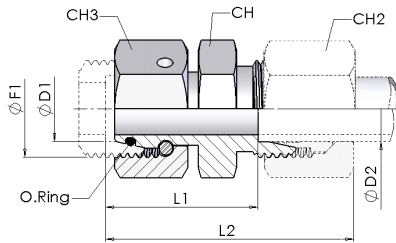
Raccordo di riduzione - (serie S) RDSW

DKO con guarnizione standard: FKM Guarnizione opzionale: NBR, EPDM



Type	W.P. bar	Part number	Dimensions							Weight kg/unit	
			CH	CH2	CH3	L1	L2	Ø			
								D1	D2	F1	
S	630	7370-08/06S-1NI	14	17	19	27.0	42	8	6	16x1,5	0,043
		7370-10/06S-1NI	17	17	22	27.5	42	10	6	18x1,5	0,055
		7370-10/08S-1NI	17	19	22	27.5	42	10	8	18x1,5	0,057
		7370-12/06S-1NI	19	17	24	29.0	44	12	6	20x1,5	0,070
		7370-12/08S-1NI	19	19	24	29.0	44	12	8	20x1,5	0,071
		7370-12/10S-1NI	19	22	24	29.5	46	12	10	20x1,5	0,073
		7370-14/06S-1NI	22	17	27	31.5	46	14	6	22x1,5	0,094
		7370-14/08S-1NI	22	19	27	31.5	46	14	8	22x1,5	0,095
		7370-14/12S-1NI	22	24	27	31.0	47	14	12	22x1,5	0,104
S	400	7370-16/06S-1NI	22	17	30	32.0	47	16	6	24x1,5	0,114
		7370-16/08S-1NI	22	19	30	32.0	47	16	8	24x1,5	0,116
		7370-16/10S-1NI	22	22	30	31.5	48	16	10	24x1,5	0,117
		7370-16/12S-1NI	22	24	30	31.5	48	16	12	24x1,5	0,120
		7370-16/14S-1NI	24	27	30	33.0	51	16	14	24x1,5	0,128
		7370-20/06S-1NI	27	17	36	36.0	51	20	6	30x2	0,170
		7370-20/08S-1NI	27	19	36	36.0	51	20	8	30x2	0,172
		7370-20/10S-1NI	27	22	36	35.5	52	20	10	30x2	0,170
		7370-20/12S-1NI	27	24	36	35.5	52	20	12	30x2	0,173
		7370-20/16S-1NI	27	30	36	36.5	55	20	16	30x2	0,179
		7370-25/06S-1NI	36	17	46	38.5	53	25	6	36x2	0,309
		7370-25/08S-1NI	36	19	46	38.5	53	25	8	36x2	0,309
		7370-25/10S-1NI	36	22	46	38.0	54	25	10	36x2	0,312
		7370-25/12S-1NI	36	24	46	38.0	54	25	12	36x2	0,313
		7370-25/16S-1NI	36	30	46	39.0	57	25	16	36x2	0,317
		7370-25/20S-1NI	36	36	46	39.0	61	25	20	36x2	0,328

Raccordo di riduzione - (serie S) RDSW

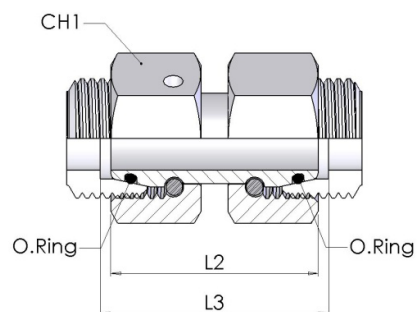


DKO con guarnizione standard: FKM Guarnizione opzionale: NBR, EPDM

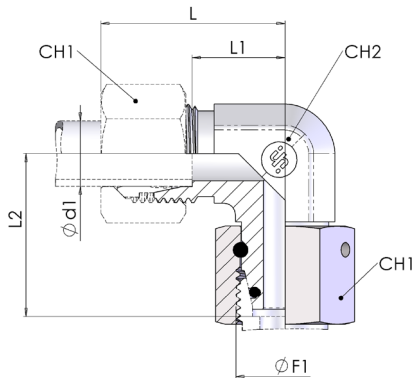
Type	W.P. bar	Part number	Dimensions							Weight kg/unit	
			CH	CH2	CH3	L1	L2	Ø			
			CH	CH2	CH3	L1	L2	D1	D2	F1	
S	400	7370-30/08S-1NI	41	22	50	43.5	60	30	8	42x2	0,4
		7370-30/10S-1NI	41	22	50	43.5	60	30	10	42x2	0,404
		7370-30/12S-1NI	41	24	50	43.5	60	30	12	42x2	0,405
		7370-30/16S-1NI	41	30	50	44.5	63	30	16	42x2	0,406
		7370-30/20S-1NI	41	36	50	44.5	66	30	20	42x2	0,422
		7370-30/25S-1NI	41	46	50	45.0	69	30	25	42x2	0,448
S	315	7370-38/06S-1NI	50	17	60	47.5	62	38	6	52x2	0,576
		7370-38/08S-1NI	50	19	60	47.5	62	38	8	52x2	0,578
		7370-38/10S-1NI	50	22	60	47.0	63	38	10	52x2	0,584
		7370-38/12S-1NI	50	24	60	47.0	63	38	12	52x2	0,592
		7370-38/16S-1NI	50	30	60	48.0	66	38	16	52x2	0,592
		7370-38/20S-1NI	50	36	60	48.0	70	38	20	52x2	0,597
		7370-38/25S-1NI	50	46	60	48.5	73	38	25	52x2	0,623
		7370-38/30S-1NI	50	50	60	49.0	76	38	30	52x2	0,636

Raccordo intermedio diritto SW20S

DKO con guarnizioni standard: FKM Guarnizioni opzionali: NBR, EPDM



Type	W.P. bar	Part number	Dimensions				Weight kg/unit
			CH1	L2	L3	Ø tube mm	
L	315	7380-06LNI	14	34	35	6	0,029
		7380-08LNI	17	34	35	8	0,044
		7380-10LNI	19	36	37	10	0,059
		7380-12LNI	22	36	37	12	0,077
		7380-15LNI	27	39	40	15	0,143
		7380-18LNI	32	40.5	41.5	18	0,180
L	160	7380-22LNI	36	45	46	22	0,250
		7380-28LNI	41	47	48	28	0,312
		7380-35LNI	50	53	56	35	0,480
		7380-42LNI	60	53	57	42	0,745
S	630	7380-06SNI	17	37	38	6	0,045
		7380-08SNI	19	37	38	8	0,060
		7380-10SNI	22	41	43	10	0,085
		7380-12SNI	24	42	44	12	0,104
		7380-14SNI	27	45	48	14	0,156
S	400	7380-16SNI	30	46	49	16	0,186
		7380-20SNI	36	55	59	20	0,295
		7380-25SNI	46	58	65	25	0,560
		7380-30SNI	50	62	71	30	0,685
S	315	7380-38SNI	60	67	82	38	0,995



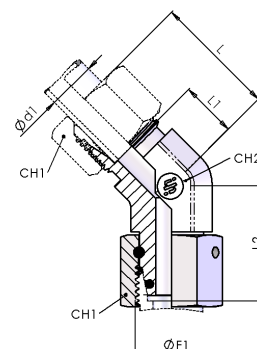
Raccordo Girevole a 90° (ISO 8434-1) SWOE

DKO con guarnizione standard: FKM Guarnizione opzionale: NBR, EPDM

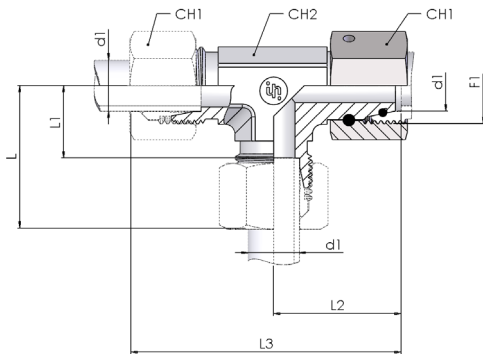
Type	W.P. bar	Part number	Dimensions							Weight kg/unit
			CH1	CH2	L	L1	L2	F1	Ø tube D1 mm	
L	315	7330-06L-1NI	14	12	27	12.0	26	M12x1,5	6	0,041
		7330-08L-1NI	17	12	29	14.0	27.5	M14x1,5	8	0,062
		7330-10L-1NI	19	14	30	15.0	29	M16x1,5	10	0,053
		7330-12L-1NI	22	17	32	17.0	29.5	M18x1,5	12	0,101
		7330-15L-1NI	27	19	36	21.0	32.5	M22x1,5	15	0,129
		7330-18L-1NI	32	24	40	23.5	35.5	M26x1,5	18	0,186
L	160	7330-22L-1NI	36	27	44	27.5	38.5	M30x2	22	0,253
		7330-28L-1NI	41	36	47	30.5	41.5	M36x2	28	0,342
		7330-35L-1NI	50	41	56	34.5	51	M45x2	35	0,574
		7330-42L-1NI	60	50	63	40.0	56	M52x2	42	1,030
S	630	7330-06S-1NI	17	12	31	16.0	27	M14x1,5	6	0,062
		7330-08S-1NI	19	14	32	17.0	27.5	M16x1,5	8	0,085
		7330-10S-1NI	22	17	34	17.5	30	M18x1,5	10	0,122
		7330-12S-1NI	24	17	38	21.5	31	M20x1,5	12	0,108
		7330-14S-1NI	27	19	40	22.0	35	M22x1,5	14	0,149
S	400	7330-16S-1NI	30	24	43	24.5	36.5	M24x1,5	16	0,201
		7330-20S-1NI	36	27	48	26.5	44.5	M30x2	20	0,305
		7330-25S-1NI	46	36	54	30.0	50	M36x2	25	0,554
		7330-30S-1NI	50	41	62	35.5	55	M42x2	30	0,779
S	315	7330-38S-1NI	60	50	72	41.0	63	M52x2	38	1,186

Raccordo Girevole a 45° (ISO 8434-1) SWOE45

DKO con guarnizione standard: FKM Guarnizione
opzionale: NBR, EPDM



Type	W.P. bar	Part number	Dimensions						Weight kg/unit	
			CH1	CH2	L	L1	L2	Ø tube D1 mm		
L	315	7335-06L-1NI	14	12	24	9.0	24	M12x1,5	6	0,069
		7335-08L-1NI	17	12	27	12.0	26	M14x1,5	8	0,075
		7335-10L-1NI	19	14	27	12.0	27	M16x1,5	10	0,078
		7335-12L-1NI	22	19	29	14.0	28	M18x1,5	12	0,086
		7335-15L-1NI	27	22	31	16.0	31	M22x1,5	15	0,126
		7335-18L-1NI	32	27	33.5	17.0	34	M26x1,5	18	0,178
L	160	7335-22L-1NI	36	27	35	18.5	37	M30x2	22	0,236
		7335-28L-1NI	41	36	39	22.5	37	M36x2	28	0,336
		7335-35L-1NI	50	41	44	22.5	41.5	M45x2	35	0,546
		7335-42L-1NI	60	50	49	27	53	M52x2	42	0,841
S	630	7335-06S-1NI	17	12	25	16.0	25	M14x1,5	6	0,073
		7335-08S-1NI	19	14	27	16.0	26	M16x1,5	8	0,082
		7335-10S-1NI	22	19	29	16.5	28	M18x1,5	10	0,095
		7335-12S-1NI	24	19	33	16.5	29	M20x1,5	12	0,112
		7335-14S-1NI	27	22	34	16.0	30	M22x1,5	14	0,136
S	400	7335-16S-1NI	30	27	35	16.5	34	M24x1,5	16	0,188
		7335-20S-1NI	36	27	39	17.5	41	M30x2	20	0,286
		7335-25S-1NI	46	36	43	19.0	39.5	M36x2	25	0,523
		7335-30S-1NI	50	41	50	23.5	42.5	M42x2	30	0,697
		7335-38S-1NI	60	50	55	27	58	M52x2	38	1,067

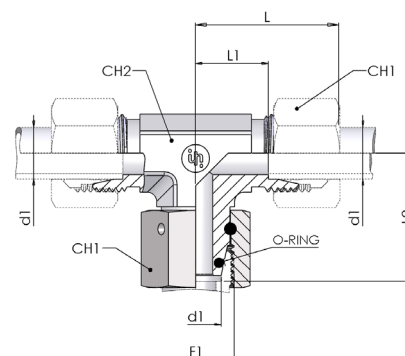


Raccordo Girevole Laterale a T per tubo 24° (ISO 8434-1)

DKO con guarnizione standard: FKM Guarnizione opzionale: NBR, EPDM

Type	W.P. bar	Part number	Dimensions							Ø		Weight kg/unit
			CH1	CH2	L	L1	L2	L3	F1	tube D1 mm		
L	315	7350-06L-1NI	14	12	27	12.0	26	53	M12x1,5	6	0,048	
		7350-08L-1NI	17	12	29	14.0	27.5	56	M14x1,5	8	0,060	
		7350-10L-1NI	19	14	30	15.0	29	59	M16x1,5	10	0,096	
		7350-12L-1NI	22	17	32	17.0	29.5	61	M18x1,5	12	0,110	
		7350-15L-1NI	27	19	36	21.0	32.5	69	M22x1,5	15	0,154	
		7350-18L-1NI	32	24	40	23.5	35.5	75	M26x1,5	18	0,213	
L	160	7350-22L-1NI	36	27	44	27.5	38.5	82	M30x2	22	0,281	
		7350-28L-1NI	41	36	47	30.5	41.5	89	M36x2	28	0,392	
		7350-35L-1NI	50	41	56	34.5	51	107	M45x2	35	0,677	
		7350-42L-1NI	60	50	63	40.0	56	119	M52x2	42	1,124	
S	630	7350-06S-1NI	17	12	31	16.0	27	58	M14x1,5	6	0,078	
		7350-08S-1NI	19	14	32	17.0	27.5	59	M16x1,5	8	0,092	
		7350-10S-1NI	22	17	34	17.5	30	64	M18x1,5	10	0,130	
		7350-12S-1NI	24	17	38	21.5	31	69	M20x1,5	12	0,135	
		7350-14S-1NI	27	19	40	22.0	35	75	M22x1,5	14	0,180	
S	400	7350-16S-1NI	30	24	43	24.5	36.5	79	M24x1,5	16	0,226	
		7350-20S-1NI	36	27	48	26.5	44.5	93	M30x2	20	0,353	
		7350-25S-1NI	46	36	54	30.0	50	104	M36x2	25	0,628	
		7350-30S-1NI	50	41	62	35.5	55	117	M42x2	30	0,917	
S	315	7350-38S-1NI	60	50	72	41.0	63	135	M52x2	38	1,490	

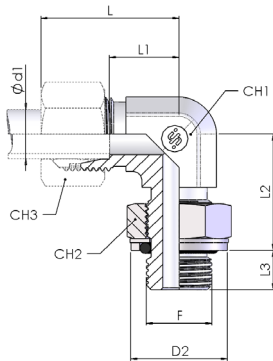
Raccordo Girevole Centrale a T (ISO 8434-1) SWOBT



DKO con guarnizione standard: FKM Guarnizione opzionale: NBR, EPDM

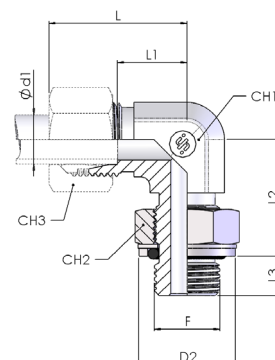
Type	W.P. bar	Part number	Dimensions						Weight kg/unit	
			CH1	CH2	L1	L2	F1	L		Ø tube D1 mm
L	315	7340-06L-1NI	14	12	12.0	26	12x1,5	27	6	0,049
		7340-08L-1NI	17	12	14.0	27.5	14x1,5	29	8	0,059
		7340-10L-1NI	19	14	15.0	29	16x1,5	30	10	0,092
		7340-12L-1NI	22	17	17.0	29.5	18x1,5	32	12	0,110
		7340-15L-1NI	27	19	21.0	32.5	22x1,5	36	15	0,154
		7340-18L-1NI	32	24	23.5	35.5	26x1,5	40	18	0,215
L	160	7340-22L-1NI	36	27	27.5	38.5	30x2	44	22	0,277
		7340-28L-1NI	41	36	30.5	41.5	36x2	47	28	0,397
		7340-35L-1NI	50	41	34.5	51	45x2	56	35	0,680
		7340-42L-1NI	60	50	40.0	56	52x2	63	42	1,138
S	630	7340-06S-1NI	17	12	16.0	27	14x1,5	31	6	0,067
		7340-08S-1NI	19	14	17.0	27.5	16x1,5	32	8	0,095
		7340-10S-1NI	22	17	17.5	30	18x1,5	34	10	0,130
		7340-12S-1NI	24	17	21.5	31	20x1,5	38	12	0,135
		7340-14S-1NI	27	19	22.0	35	22x1,5	40	14	0,181
S	400	7340-16S-1NI	30	24	24.5	36.5	24x1,5	43	16	0,246
		7340-20S-1NI	36	27	26.5	44.5	30x2	48	20	0,356
		7340-25S-1NI	46	36	30.0	50	36x2	54	25	0,637
		7340-30S-1NI	50	41	35.5	55	42x2	62	30	0,916
S	315	7340-38S-1NI	60	50	41.0	63	52x2	72	38	1,478

Terminale a 90° Orientabile Metrico con o-ring ed anello



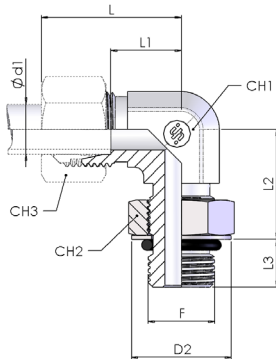
Type	W.P. bar	Part number	Dimensions										Weight kg/unit
			Thread								Ø		
			F	CH1	CH2	CH3	D2	L1	L2	L3	L	tube d1 mm	
L	315	7600-06LM-1NI	M10x1	12	14	14	14.8	12.0	23	6	27	6	0,040
		7600-08LM-1NI	M12x1,5	14	17	17	17.8	14.0	25.5	7.5	29	8	0,061
		7600-10LM-1NI	M14x1,5	14	19	19	19.8	15.0	26	8	30	10	0,065
L	250	7600-12LM-1NI	M16x1,5	17	22	22	21.8	17.0	30	8	32	12	0,096
		7600-15LM-1NI	M18x1,5	19	24	27	23.8	21.0	31.5	9.5	36	15	0,125
		7600-18LM-1NI	M22x1,5	24	27	32	27.8	23.5	33.5	9.5	40	18	0,160
L	160	7600-22LM-1NI	M27x2	27	32	36	32.8	27.5	40	12	44	22	0,279
		7600-28LM-1NI	M33x2	36	41	41	39.8	30.5	44	12	47	28	0,359
		7600-35LM-1NI	M42x2	41	50	50	49.8	34.5	48	12	56	35	0,659
		7600-42LM-1NI	M48x2	50	55	60	55.8	40.0	55	12	63	42	1,064
S	315	7600-06SM-1NI	M12x1,5	14	17	17	17.8	16.0	25.5	7.5	31	6	0,069
		7600-08SM-1NI	M14x1,5	14	19	19	19.8	17.0	26	8	32	8	0,075
		7600-10SM-1NI	M16x1,5	17	22	22	21.8	17.5	30	8	34	10	0,122
		7600-12SM-1NI	M18x1,5	19	24	24	23.8	21.5	31.5	9.5	38	12	0,155
S	250	7600-16SM-1NI	M22x1,5	24	27	30	27.8	24.5	33.5	9.5	43	16	0,246
		7600-20SM-1NI	M27x2	27	32	36	32.8	26.5	40	12	48	20	0,343
S	160	7600-25SM-1NI	M33x2	36	41	46	39.8	30.0	44	12	54	25	0,505
		7600-30SM-1NI	M42x2	41	50	50	49.8	35.5	48	12	62	30	0,769
		7600-38SM-1NI	M48x2	50	55	60	55.8	41.0	55	12	72	38	1,331

Terminale a 90° Orientabile BSPP con o-ring ed anello (ISO 1179)



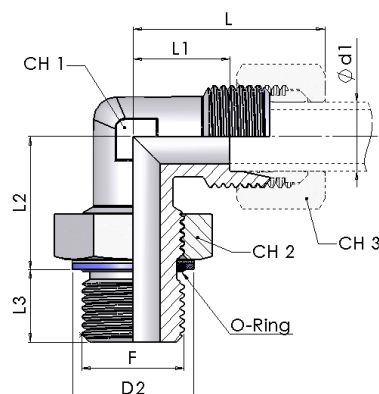
Type	W.P. bar	Part number	Dimensions									Weight kg/unit	
			Thread								Ø		
			F	CH1	CH2	CH3	D2	L1	L2	L3	L	tube d1 mm	
L	200	7600-06LR-1NI	G 1/8	12	14	14	14.8	12.0	21	6	27	6	0,035
		7600-08LR-1NI	G 1/4	14	19	17	19.8	14.0	25	8	29	8	0,045
		7600-10LR-1NI	G 1/4	14	19	19	19.8	15.0	25	8	30	10	0,050
		7600-12LR-1NI	G 3/8	17	22	22	22.8	17.0	29	8	32	12	0,076
		7600-15LR-1NI	G 1/2	19	30	27	27.8	21.0	32.5	10.5	36	15	0,115
		7600-18LR-1NI	G 1/2	24	30	32	27.8	23.5	32.5	10.5	40	18	0,185
L	160	7600-22LR-1NI	G 3/4	27	36	36	32.8	27.5	39	11	44	22	0,336
		7600-28LR-1NI	G 1	36	41	41	40.8	30.5	43	12	47	28	0,437
		7600-35LR-1NI	G 1 1/4	41	50	50	50.8	34.5	46	12	56	35	0,705
		7600-42LR-1NI	G 1 1/2	50	55	60	55.8	40.0	51	12	63	42	1,154
S	200	7600-06SR-1NI	G 1/4	14	19	17	19.8	16.0	21	6	31	6	0,045
		7600-08SR-1NI	G 1/4	14	19	19	19.8	17.0	25	8	32	8	0,055
		7600-10SR-1NI	G 3/8	17	22	22	22.8	17.5	25	8	34	10	0,085
		7600-12SR-1NI	G 3/8	17	22	24	22.8	21.5	29	8	38	12	0,095
		7600-16SR-1NI	G 1/2	24	30	30	27.8	24.5	32.5	10.5	43	16	0,193
		7600-20SR-1NI	G 3/4	27	36	36	32.8	26.5	39	11	48	20	0,362
		7600-25SR-1NI	G 1	36	41	46	40.8	30.0	43	12	54	25	0,465
S	160	7600-30SR-1NI	G 1 1/4	41	50	50	50.8	35.5	46	12	62	30	0,750
		7600-38SR-1NI	G 1 1/2	50	55	60	55.8	41.0	51	12	72	38	1,295

Terminale a 90° Orientabile UNF con o-ring (ISO 11926)



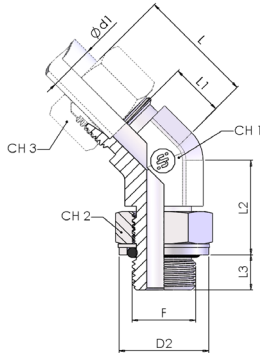
Type	W.P. bar	Part number	Dimensions										Weight kg/unit
			Thread								Ø		
			F	CH1	CH2	CH3	D2	L1	L2	L3	L	tube d1 mm	
L	315	7600-06LU-1NI	7/16-20	12	14	14	16.5	12.0	20	7	27	6	0,032
		7600-08LU-1NI	7/16-20	12	14	17	16.5	14.0	23	7	29	8	0,037
L	250	7600-10LU-1NI	9/16-18	14	17	19	20.2	15.0	25	8	30	10	0,055
		7600-12LU06-1NI	9/16-18	17	17	22	20.2	17.0	25	8	32	12	0,075
		7600-12LU-1NI	3/4-16	17	22	22	25.7	17.0	28	9	32	12	0,092
		7600-15LU08-1NI	3/4-16	19	22	27	25.7	21.0	28	9	36	15	0,115
L	200	7600-15LU-1NI	7/8-14	24	27	27	29.3	21.0	33	10	36	15	0,154
		7600-18LU10-1NI	7/8-14	24	27	32	29.3	23.5	33	10	40	18	0,201
L	160	7600-18LU-1NI	1.1/16-12	27	36	32	36.7	23.5	38	12	40	18	0,223
		7600-22LU-1NI	1.1/16-12	27	36	36	36.7	27.5	38	12	44	22	0,250
L	125	7600-28LU-1NI	1.5/16-12	36	41	41	44	30.5	43	12	47	28	0,446
		7600-35LU-1NI	1.5/8-12	41	50	50	55	34.5	46	12	56	35	0,901
L	125	7600-42LU-1NI	1.7/8-12	50	55	60	62.3	40.0	51	12	63	42	1.043
		7600-06SU-1NI	7/16-20	12	14	17	16.5	16.0	20	7	31	6	0,036
S	400	7600-08SU-1NI	9/16-18	14	17	19	20.2	17.0	25	8	32	8	0,052
		7600-10SU-1NI	9/16-18	17	17	22	20.2	17.5	25	8	34	10	0,073
		7600-12SU-1NI	3/4-16	17	22	24	25.7	21.5	29	9	38	12	0,089
		7600-16SU-1NI	7/8-14	24	27	30	29.3	24.5	33	10	43	16	0,175
		7600-20SU-1NI	1.1/16-12	27	36	36	36.7	26.5	38	12	48	20	0,377
S	315	7600-25SU-1NI	1.5/16-12	36	41	46	44	30.0	43	12	54	25	0,668
S	250	7600-30SU-1NI	1.5/8-12	41	50	50	55	35.5	46	12	62	30	0,901
S	200	7600-38SU-1NI	1.7/8-12	50	55	60	62.3	41.0	51	12	72	38	1,515

Terminale a 90° Orientabile Metrico con o-ring (ISO 6149)



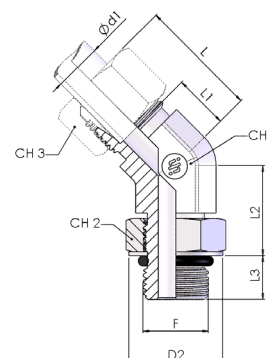
Type	W.P. bar	Part number	Dimensions								
			Thread								Ø
			F	CH1	CH2	CH3	D2	L1	L2	L3	L
315		7605-06LM-1	M10x1	12	14	14	14.5	12.0	21.5	8.5	27
		7605-08LM-1	M12x1,5	14	17	17	17.5	14.0	23.5	11	29
		7605-10LM-1	M14x1,5	14	19	19	19.5	15.0	26.5	11	30
250		7605-12LM-1	M16x1,5	17	22	22	22.5	17.0	27.5	11.5	32
		7605-15LM-1	M18x1,5	19	24	27	24.5	21.0	29	12.5	36
		7605-18LM-1	M22x1,5	24	27	32	27.5	23.5	35	13	40
160		7605-22LM-1	M27x2	27	32	36	32.5	27.5	38.5	16	44
		7605-28LM-1	M33x2	36	41	41	41.5	30.5	41.5	16	47
		7605-35LM-1	M42x2	41	50	50	50.5	34.5	50.5	16	56
		7605-42LM-1	M48x2	50	55	60	55.5	40.0	51.5	17.5	63
400		7605-06SM-1	M12x1,5	12	17	17	17.5	16.0	23.5	11	31
		7605-08SM-1	M14x1,5	14	19	19	19.5	17.0	26.5	11	32
		7605-10SM-1	M16x1,5	17	22	22	22.5	17.5	27.5	12.5	34
		7605-12SM-1	M18x1,5	17	24	24	24.5	21.5	30	14	38
		7605-16SM-1	M22x1,5	24	27	30	27.5	24.5	37	15	43
		7605-20SM-1	M27x2	27	32	36	32.5	26.5	41.5	18.5	48
315		7605-25SM-1	M33x2	36	41	46	41.5	30.0	45.5	18.5	54
250		7605-30SM-1	M42x2	41	50	50	50.5	35.5	53.5	19	62
200		7605-38SM-1	M48x2	50	55	60	55.5	41.0	56.5	21.5	72

Terminale a 45° Orientabile BSPP con o-ring ed anello (ISO 1179)



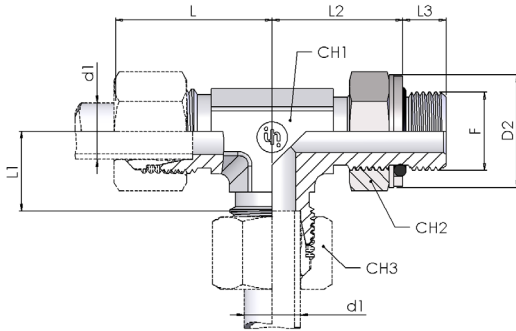
Type	W.P. bar	Part number	Dimensions									Weight kg/unit	
			Thread								Ø		
			F	CH1	CH2	CH3	D2	L	L1	L2	L3	tube d1 mm	
L	315	7630-06LR-1NI	G 1/8	12	14	14	14.8	24	9.0	21	6	6	0,061
		7630-08LR-1NI	G 1/4	14	19	17	19.8	27	12.0	25	8	8	0,065
		7630-10LR-1NI	G 1/4	14	19	19	19.8	27	12.0	25	8	10	0,067
		7630-12LR-1NI	G 3/8	19	22	22	22.8	29	14.0	29	8	12	0,083
		7630-15LR-1NI	G 1/2	22	30	27	27.8	31	16.0	32.5	10.5	15	0,098
		7630-18LR-1NI	G 1/2	27	30	32	27.8	33.5	17.0	32.5	10.5	18	0,185
L	160	7630-22LR-1NI	G 3/4	27	36	36	32.8	35	18.5	39	11	22	0,198
		7630-28LR-1NI	G 1	36	41	41	40.8	39	22.5	43	12	28	0,323
		7630-35LR-1NI	G 1 1/4	41	50	50	50.8	44	22.5	46	12	35	0,537
S	400	7630-06SR-1NI	G 1/8	14	12	14	14.8	25	9.0	21	6	6	0,065
		7630-08SR-1NI	G 1/4	14	19	19	19.8	27	12.0	25	8	8	0,070
		7630-10SR-1NI	G 3/8	19	22	22	22.8	29	12.5	25	8	10	0,091
		7630-12SR-1NI	G 3/8	19	22	24	22.8	33	16.5	29	8	12	0,104
		7630-16SR-1NI	G 1/2	27	30	30	27.8	35	16.5	32.5	10.5	16	0,277
		7630-20SR-1NI	G 3/4	27	36	36	32.8	39	17.5	39	11	20	0,285
S	315	7630-25SR-1NI	G 1	36	41	46	40.8	43	19.0	43	12	25	0,452
S	250	7630-30SR-1NI	G 1 1/4	41	50	50	50.8	50	23.5	46	12	30	0,720

Terminale a 45° Orientabile Metrico con o-ring (ISO 6149)



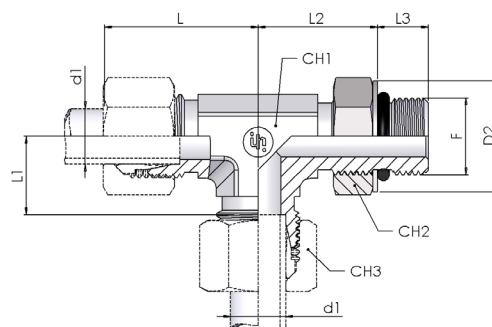
Type	W.P. bar	Part number	Dimensions										Weight kg/unit
			Thread									Ø	
			F	CH1	CH2	CH3	D2	L	L1	L2	L3	tube d1 mm	
L	315	7635-06LM-1NI	M 10x1	12	14	14	14.5	24	9.0	23	6	6	0,061
		7635-08LM-1NI	M 12x1,5	14	17	17	17.5	27	12.0	25.5	7.5	8	0,065
		7635-10LM-1NI	M 14x1,5	14	19	19	19.5	27	12.0	26	8	10	0,069
L	250	7635-12LM-1NI	M 16x1,5	19	22	22	22.5	29	14.0	30	8	12	0,081
		7635-15LM-1NI	M 18x1,5	22	24	27	24.5	31	16.0	31.5	9.5	15	0,085
		7635-18LM-1NI	M 22x1,5	27	27	32	27.5	33.5	17.0	32.5	9.5	18	0,198
L	160	7635-22LM-1NI	M 27x2	27	32	36	32.5	35	18.5	40	12	22	0,201
		7635-28LM-1NI	M 33x2	36	41	41	41.5	39	22.5	44	12	28	0,323
		7635-35LM-1NI	M 42x2	41	50	50	50.5	44	22.5	48	12	35	0,637
S	400	7635-06SM-1NI	M 12x1,5	14	17	17	17.5	25	9.0	25.5	7.5	6	0,065
		7635-08SM-1NI	M 14x1,5	14	19	19	19.5	27	12.0	26	8	8	0,071
		7635-10SM-1NI	M 16x1,5	19	22	22	22.5	29	12.5	30	8	10	0,091
		7635-12SM-1NI	M 18x1,5	22	24	24	24.5	33	16.5	31.5	9.5	12	0,110
		7635-16SM-1NI	M 22x1,5	27	27	30	27.5	35	16.5	32.5	9.5	16	0,183
S	315	7635-20SM-1NI	M 27x2	27	32	36	32.5	39	17.5	40	12	20	0,277
S	315	7635-25SM-1NI	M 33x2	36	41	46	41.5	43	19.0	44	12	25	0,452
S	250	7635-30SM-1NI	M 42x2	41	50	50	50.5	50	23.5	48	12	30	0,720

Terminale a T Orientabile Laterale BSPP con o-ring ed anello (ISO 1179)



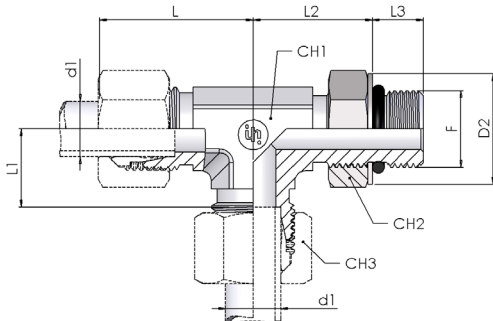
Type	W.P. bar	Part number	Dimensions										Weight kg/unit
			Thread									Ø	
			F	CH1	CH2	CH3	D2	L	L1	L2	L3	Ø tube d1 mm	
L	200	7610-06LR-1NI	G 1/8	12	14	14	14.8	27	12.0	21	6	6	0,039
		7610-08LR-1NI	G 1/4	14	19	17	19.8	29	14.0	25	8	8	0,048
		7610-10LR-1NI	G 1/4	14	19	19	19.8	30	15.0	25	8	10	0,055
		7610-12LR-1NI	G 3/8	17	22	22	22.8	32	17.0	29	8	12	0,072
		7610-15LR-1NI	G 1/2	19	30	27	27.8	36	21.0	32.5	10.5	15	0,122
		7610-18LR-1NI	G 1/2	24	30	32	27.8	40	23.5	32.5	10.5	18	0,190
L	160	7610-22LR-1NI	G 3/4	27	36	36	32.8	44	27.5	39	11	22	0,282
		7610-28LR-1NI	G 1	36	41	41	40.8	47	30.5	43	12	28	0,468
		7610-35LR-1NI	G 1 1/4	41	50	50	50.8	56	34.5	46	12	35	0,901
		7610-42LR-1NI	G 1 1/2	50	55	60	55.8	63	40.0	51	12	42	1,028
S	200	7610-06SR-1NI	G 1/4	14	19	17	19.8	31	16.0	25	8	6	0,056
		7610-08SR-1NI	G 1/4	14	19	19	19.8	32	17.0	25	8	8	0,060
		7610-10SR-1NI	G 3/8	17	22	22	22.8	34	17.5	29	8	10	0,089
		7610-12SR-1NI	G 3/8	17	22	24	22.8	38	21.5	29	8	12	0,092
		7610-16SR-1NI	G 1/2	24	30	30	27.8	43	24.5	32.5	10.5	16	0,296
		7610-20SR-1NI	G 3/4	27	36	36	32.8	48	26.5	39	11	20	0,377
		7610-25SR-1NI	G 1	36	41	46	40.8	54	30.0	43	12	25	0,667
S	160	7610-30SR-1NI	G 1 1/4	41	50	50	50.8	62	35.5	46	12	30	1,164
		7610-38SR-1NI	G 1 1/2	50	55	60	55.8	72	41.0	51	12	38	1,514

Terminale a T Orientabile Laterale UNF con o-ring (ISO 11926)



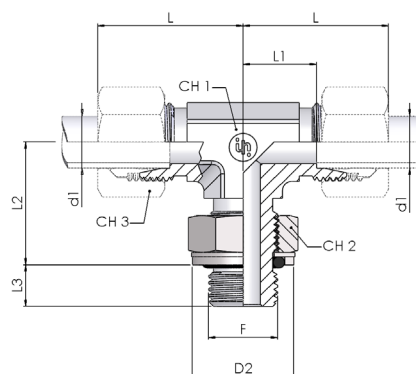
Type	W.P. bar	Part number	Dimensions										Weight kg/unit
			Thread	CH1	CH2	CH3	D2	L	L1	L2	L3	Ø tube d1 mm	
L	315	7610-06LU-1NI	7/16-20	12	14	14	16.5	27	12.0	20	7	6	0,036
		7610-08LU-1NI	7/16-20	12	14	17	16.5	29	14.0	20	7	8	0,039
L	250	7610-10LU-1NI	9/16-18	14	17	19	20.2	30	15.0	25	8	10	0,051
		7610-12LU06-1NI	9/16-18	17	17	22	20.2	32	17.0	25	8	12	0,070
		7610-12LU-1NI	3/4-16	17	22	22	25.7	32	17.0	28	9	12	0,071
		7610-15LU08-1NI	3/4-16	19	22	27	25.7	36	21.0	28	9	15	0,106
L	200	7610-15LU-1NI	7/8-14	24	27	27	29.3	36	21.0	33	10	15	0,201
		7610-18LU10-1NI	7/8-14	27	27	32	29.3	40	23.5	33	10	18	0,214
L	160	7610-18LU-1NI	1.1/16-12	27	32	32	36.7	40	23.5	38	12	18	0,269
		7610-22LU-1NI	1.1/16-12	27	32	36	36.7	44	27.5	38	12	22	0,282
L	125	7610-28LU-1NI	1.5/16-12	36	41	41	44	47	30.5	43	12	28	0,468
		7610-35LU-1NI	1.5/8-12	41	50	50	55	56	34.5	46	12	35	0,901
L	400	7610-42LU-1NI	1.7/8-12	50	55	60	62.3	63	40.0	51	12	42	1,028
		7610-06SU-1NI	7/16-20	12	14	17	16.5	31	16.0	20	7	6	0,040
S	400	7610-08SU-1NI	9/16-18	14	17	19	20.2	32	17.0	25	8	8	0,060
		7610-10SU-1NI	9/16-18	17	17	22	20.2	34	17.5	25	8	10	0,075
		7610-12SU-1NI	3/4-16	17	22	24	25.7	38	21.5	28	9	12	0,081
		7610-16SU-1NI	7/8-14	24	27	30	29.3	43	24.5	33	10	16	0,221
		7610-20SU-1NI	1.1/16-12	27	32	36	36.7	48	26.5	38	12	20	0,267
S	315	7610-25SU-1NI	1.5/16-12	36	41	46	44	54	30.0	43	12	25	0,667
S	250	7610-30SU-1NI	1.5/8-12	41	50	50	55	62	35.5	46	12	30	1,164
S	200	7610-38SU-1NI	1.7/8-12	50	55	60	62.3	72	41.0	51	12	38	1,514

Terminale a T Orientabile Laterale Metrico con o-ring (ISO 6149)



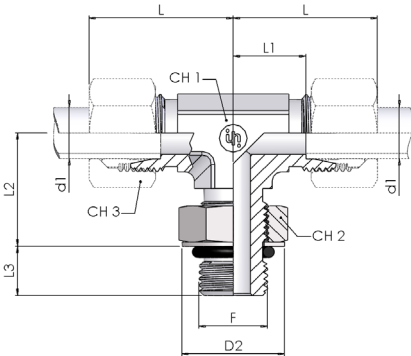
Type	W.P. bar	Part number	Dimensions									Weight kg/unit	
			Thread								Ø		
			F	CH1	CH2	CH3	D2	L	L1	L2	L3	Ø tube d1 mm	
L	315	7615-06LM-1NI	M 10x1	12	14	14	14.5	27	12.0	23	6	6	0,039
		7615-08LM-1NI	M 12x1,5	14	17	17	17.5	29	14.0	25.5	7.5	8	0,052
		7615-10LM-1NI	M 14x1,5	14	19	19	19.5	30	15.0	26	8	10	0,055
L	250	7615-12LM-1NI	M 16x1,5	17	22	22	22.5	32	17.0	30	8	12	0,069
		7615-15LM-1NI	M 18x1,5	19	24	27	24.5	36	21.0	31.5	9.5	15	0,106
		7615-18LM-1NI	M 22x1,5	24	27	32	27.5	40	23.5	32.5	9.5	18	0,198
L	160	7615-22LM-1NI	M 27x2	27	32	36	32.5	44	27.5	40	12	22	0,0282
		7615-28LM-1NI	M 33x2	36	41	41	41.5	47	30.5	44	12	28	0,468
		7615-35LM-1NI	M 42x2	41	50	50	50.5	56	34.5	48	12	35	0,901
		7615-42LM-1NI	M 48x2	50	55	60	55.5	63	40.0	54	13	42	1,028
S	400	7615-06SM-1NI	M 12x1,5	12	17	17	17.5	31	16.0	25.5	7.5	6	0,041
		7615-08SM-1NI	M 14x1,5	14	19	19	19.5	32	17.0	26	8	8	0,055
		7615-10SM-1NI	M 16x1,5	17	22	22	22.5	34	17.5	30	8	10	0,075
		7615-12SM-1NI	M 18x1,5	17	24	24	24.5	38	21.5	31.5	9.5	12	0,077
		7615-16SM-1NI	M 22x1,5	24	27	30	27.5	43	24.5	32.5	9.5	16	0,201
		7615-20SM-1NI	M 27x2	27	32	36	32.5	48	26.5	40	12	20	0,377
S	315	7615-25SM-1NI	M 33x2	36	41	46	41.5	54	30.0	44	12	25	0,667
S	250	7615-30SM-1NI	M 42x2	41	50	50	50.5	62	35.5	48	12	30	1,116
S	200	7615-38SM-1NI	M 48x2	50	55	60	55.5	72	41.0	54	13	38	1,514

Terminale a T Orientabile Centrale BSPP con o-ring ed anello (ISO 1179)



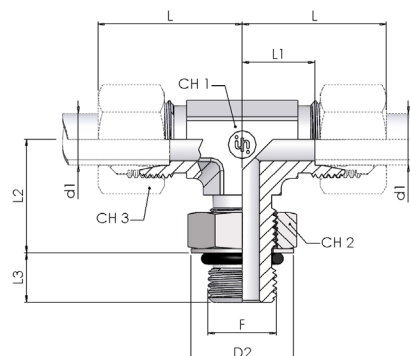
Type	W.P. bar	Part number	Dimensions									Weight kg/unit	
			Thread								Ø		
			F	CH1	CH2	CH3	D2	L1	L2	L3	L	Ø tube d1 mm	
L	200	7620-06LR-1NI	G 1/8	12	14	14	14.8	12.0	21	6	27	6	0,038
		7620-08LR-1NI	G 1/4	14	19	17	19.8	14.0	25	8	29	8	0,051
		7620-10LR-1NI	G 1/4	14	19	19	19.8	15.0	25	8	30	10	0,055
		7620-12LR-1NI	G 3/8	17	22	22	22.8	17.0	29	8	32	12	0,073
		7620-15LR-1NI	G 1/2	19	30	27	27.8	21.0	32.5	10.5	36	15	0,108
		7620-18LR-1NI	G 1/2	24	30	32	27.8	23.5	32.5	10.5	40	18	0,221
L	160	7620-22LR-1NI	G 3/4	27	36	36	32.8	27.5	39	11	44	22	0,285
		7620-28LR-1NI	G 1	36	41	41	40.8	30.5	43	12	47	28	0,475
		7620-35LR-1NI	G 1 1/4	41	50	50	50.8	34.5	46	12	56	35	0,855
		7620-42LR-1NI	G 1 1/2	50	55	60	55.8	40.0	51	12	63	42	1,028
S	200	7620-06SR-1NI	G 1/4	14	19	17	19.8	16.0	21	6	31	6	0,045
		7620-08SR-1NI	G 1/4	14	19	19	19.8	17.0	25	8	32	8	0,061
		7620-10SR-1NI	G 3/8	17	22	22	22.8	17.5	29	8	34	10	0,073
		7620-12SR-1NI	G 3/8	17	22	24	22.8	21.5	29	8	38	12	0,077
		7620-16SR-1NI	G 1/2	24	30	30	27.8	24.5	32.5	10.5	43	16	0,222
		7620-20SR-1NI	G 3/4	27	36	36	32.8	26.5	39	11	48	20	0,291
		7620-25SR-1NI	G 1	36	41	46	40.8	30.0	43	12	54	25	0,477
S	160	7620-30SR-1NI	G 1 1/4	41	50	50	50.8	35.5	46	12	62	30	0,899
		7620-38SR-1NI	G 1 1/2	50	55	60	55.8	41.0	51	12	72	38	1,028

Terminale a T Orientabile Centrale UNF con o-ring (ISO 11926)



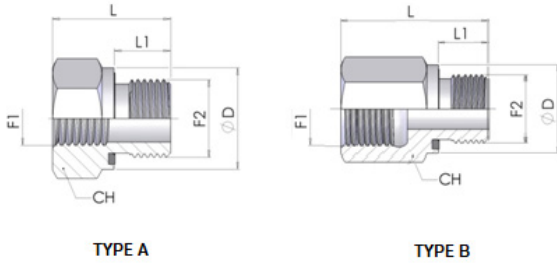
Type	W.P. bar	Part number	Dimensions										Weight kg/unit
			Thread	CH1	CH2	CH3	D2	L	L1	L2	L3	Ø tube d1 mm	
L	315	7620-06LU-1NI	7/16-20	12	14	14	16.5	27	12.0	20	7	6	0,036
		7620-08LU-1NI	7/16-20	12	14	17	16.5	29	14.0	20	7	8	0,039
L	250	7620-10LU-1NI	9/16-18	14	17	19	20.2	30	15.0	25	8	10	0,049
		7620-12LU06-1NI	9/16-18	17	17	22	20.2	32	17.0	25	8	12	0,073
		7620-12LU-1NI	3/4-16	17	22	22	25.7	32	17.0	28	9	12	0,075
		7620-15LU08-1NI	3/4-16	19	22	27	25.7	36	21.0	28	9	15	0,108
L	200	7620-15LU-1NI	7/8-14	24	27	27	29.3	36	21.0	33	10	15	0,201
		7620-18LU10-1NI	7/8-14	24	27	32	29.3	40	23.5	33	10	18	0,210
L	160	7620-18LU-1NI	1.1/16-12	27	32	32	36.7	40	23.5	38	12	18	0,282
		7620-22LU-1NI	1.1/16-12	27	32	36	36.7	44	27.5	38	12	22	0,290
L	125	7620-28LU-1NI	1.5/16-12	36	41	41	44	47	30.5	43	12	28	0,473
		7620-35LU-1NI	1.5/8-12	41	50	50	55	56	34.5	46	12	35	0,901
L	125	7620-42LU-1NI	1.7/8-12	50	55	60	62.3	63	40.0	51	12	42	1,028
		7620-06SU-1NI	7/16-20	12	14	17	16.5	31	16.0	20	7	6	0,039
S	400	7620-08SU-1NI	9/16-18	14	17	19	20.2	32	17.0	25	8	8	0,059
		7620-10SU-1NI	9/16-18	17	17	22	20.2	34	17.5	25	8	10	0,073
		7620-12SU-1NI	3/4-16	17	22	24	25.7	38	21.5	28	9	12	0,077
		7620-16SU-1NI	7/8-14	24	27	30	29.3	43	24.5	33	10	16	0,210
		7620-20SU-1NI	1.1/16-12	27	32	36	36.7	48	26.5	38	12	20	0,380
S	315	7620-25SU-1NI	1.5/16-12	36	41	46	44	54	30.0	43	12	25	0,668
S	250	7620-30SU-1NI	1.5/8-12	41	50	50	55	62	35.5	46	12	30	1,168
S	200	7620-38SU-1NI	1.7/8-12	50	55	60	62.3	72	41.0	51	12	38	1,515

Terminale a T Orientabile Centrale Metrico con o-ring (ISO 6149)



Type	W.P. bar	Part number	Dimensions										Weight kg/unit
			Thread									Ø	
			F	CH1	CH2	CH3	D2	L	L1	L2	L3	tube d1 mm	
L	315	7625-06LM-1NI	M 10x1	12	14	14	14.5	27	12.0	23	6	6	0,041
		7625-08LM-1NI	M 12x1,5	14	17	17	17.5	29	14.0	25.5	7.5	8	0,047
		7625-10LM-1NI	M 14x1,5	14	19	19	19.5	30	15.0	26	8	10	0,055
L	250	7625-12LM-1NI	M 16x1,5	17	22	22	22.5	32	17.0	30	8	12	0,073
		7625-15LM-1NI	M 18x1,5	19	24	27	24.5	36	21.0	31.5	9.5	15	0,108
		7625-18LM-1NI	M 22x1,5	24	27	32	27.5	40	23.5	32.5	9.5	18	0,210
L	160	7625-22LM-1NI	M 27x2	27	32	36	32.5	44	27.5	40	12	22	0,295
		7625-28LM-1NI	M 33x2	36	41	41	41.5	47	30.5	44	12	28	0,475
		7625-35LM-1NI	M 42x2	41	50	50	50.5	56	34.5	48	12	35	0,901
		7625-42LM-1NI	M 48x2	50	55	60	55.5	63	40.0	54	13	42	1,028
S	400	7625-06SM-1NI	M 12x1,5	12	17	17	17.5	31	16.0	25.5	7.5	6	0,041
		7625-08SM-1NI	M 14x1,5	14	19	19	19.5	32	17.0	26	8	8	0,061
		7625-10SM-1NI	M 16x1,5	17	22	22	22.5	34	17.5	30	8	10	0,075
		7625-12SM-1NI	M 18x1,5	17	24	24	24.5	38	21.5	31.5	9.5	12	0,081
		7625-16SM-1NI	M 22x1,5	24	27	30	27.5	43	24.5	32.5	9.5	16	0,221
		7625-20SM-1NI	M 27x2	27	32	36	32.5	48	26.5	40	12	20	0,377
S	315	7625-25SM-1NI	M 33x2	36	41	46	41.5	54	30.0	44	12	25	0,668
S	250	7625-30SM-1NI	M 42x2	41	50	50	50.5	62	35.5	48	12	30	1,168
S	200	7625-38SM-1NI	M 48x2	50	55	60	55.5	72	41.0	54	13	38	1,515

Riduzione Maschio-Femmina Form E (Form E ISO 1179- 2)

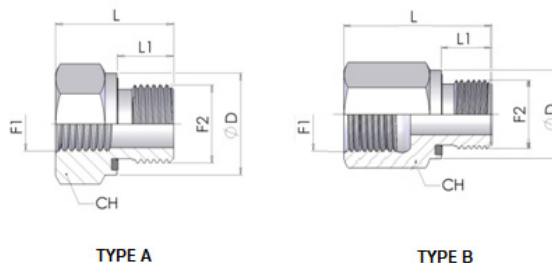


TYPE A

TYPE B

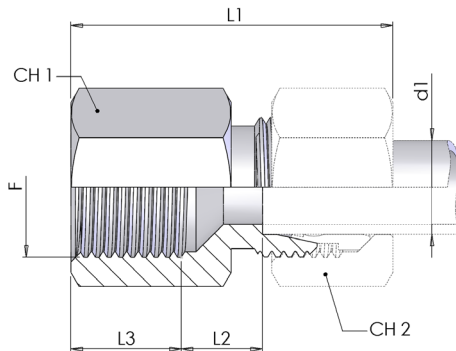
Type	W.P. bar	Part number	Dimensions					Ø	Weight kg/unit
			Thread		CH	L	L1		
			F1	F2	CH	L	L1	D	
B	630	7240-0204NI	G 1/4	G 1/8	19	32	8.0	14	0,042
		7240-0206NI	G 3/8	G 1/8	24	32	8.0	14	0,068
		7240-0402NI	G 1/8	G 1/4	19	28	12.0	18	0,046
		7240-0406NI	G 3/8	G 1/4	24	36	12.0	18	0,073
		7240-0408NI	G 1/2	G 1/4	30	40	12.0	18	0,124
B	400	7240-0412NI	G 3/4	G 1/4	36	43	12.0	18	0,185
A	630	7240-0602NI	G 1/8	G 3/8	22	22,5	12.0	22	0,038
B	630	7240-0604NI	G 1/4	G 3/8	22	36	12.0	22	0,072
		7240-0608NI	G 1/2	G 3/8	30	41	12.0	22	0,132
B	400	7240-0612NI	G 3/4	G 3/8	36	44	12.0	22	0,191
A	630	7240-0802NI	G 1/8	G 1/2	27	24	14.0	26	0,065
		7240-0804NI	G 1/4	G 1/2	27	24	14.0	26	0,056
		7240-0806NI	G 3/8	G 1/2	27	36	14.0	26	0,097
B	400	7240-0812NI	G 3/4	G 1/2	36	46	14.0	26	0,194
		7240-0816NI	G 1	G 1/2	41	49	14.0	26	0,237
B	250	7240-0820NI	G 1 1/4	G 1/2	55	53	14.0	26	0,503
A	400	7240-1204NI	G 1/4	G 3/4	32	26	16.0	32	0,101
		7240-1206NI	G 3/8	G 3/4	32	26	16.0	32	0,085
B	400	7240-1208NI	G 1/2	G 3/4	32	41	16.0	32	0,150
		7240-1216NI	G 1	G 3/4	41	51	16.0	32	0,247

Riduzione Maschio-Femmina Form E (Form E ISO 1179- 2)



Type	W.P. bar	Part number	Dimensions						Weight kg/unit
			Thread		CH	L	L1	Ø	
			F1	F2					
B	250	7240-1220NI	G 1 1/4	G 3/4	55	55	16.0	32	0,514
		7240-1224NI	G 1 1/2	G 3/4	60	57	16.0	32	0,596
A	400	7240-1604NI	G 1/4	G 1	41	29	18.0	39	0,193
		7240-1606NI	G 3/8	G 1	41	29	18.0	39	0,178
		7240-1608NI	G 1/2	G 1	41	29	18.0	39	0,152
B	400	7240-1612NI	G 3/4	G 1	41	47	18.0	39	0,286
B	250	7240-1620NI	G 1 1/4	G 1	55	57	18.0	39	0,549
		7240-1624NI	G 1 1/2	G 1	60	59	18.0	39	0,626
A	250	7240-2008NI	G 1/2	G 1 1/4	50	32	20.0	49	0,309
		7240-2012NI	G 3/4	G 1 1/4	50	32	20.0	49	0,260
B	250	7240-2016NI	G 1	G 1 1/4	50	52	20.0	49	0,482
		7240-2024NI	G 1 1/2	G 1 1/4	60	60	20.0	49	0,659
A	250	7240-2408NI	G 1/2	G 1 1/2	55	36	22.0	55	0,467
		7240-2412NI	G 3/4	G 1 1/2	55	36	22.0	55	0,416
		7240-2416NI	G 1	G 1 1/2	55	36	22.0	55	0,336
B	250	7240-2420NI	G 1 1/4	G 1 1/2	55	58	22.0	55	0,553

Terminale diritto femmina Filettatura: BSPP S



Filettatura: BSPP

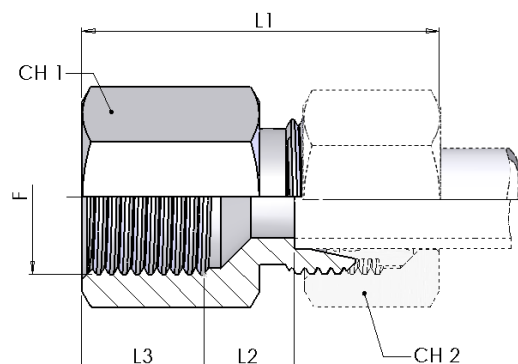
Type	W.P. bar	Part number	Dimensions					Ø tube mm	Weight kg/unit	
			Thread	CH1	CH2	L1	L2			L3
			F	CH1	CH2	L1	L2	L3		
L	315	7250-06LR-1NI	G 1/8	14	14	33.5	7	12	6	0,018
		7250-08LR06-1NI	G 3/8	24	17	40.0	10.5	14.5	8	0,062
		7250-08LR08-1NI	G 1/2	27	17	44.0	14.5	14.5	8	0,079
		7250-08LR-1NI	G 1/4	19	17	39.0	7	17	8	0,038
		7250-10LR06-1NI	G 3/8	24	19	41.0	11.5	14.5	10	0,062
		7250-10LR08-1NI	G 1/2	27	19	45.0	15.5	14.5	10	0,081
		7250-10LR-1NI	G 1/4	19	19	40.0	8	17	10	0,039
		7250-12LR08-1NI	G 1/2	27	22	45.0	15.5	14.5	12	0,084
		7250-12LR-1NI	G 3/8	24	22	40.5	9	17	12	0,062
		7250-15LR-1NI	G 1/2	27	27	46.0	11	20	15	0,086
L	160	7250-18LR-1NI	G 1/2	27	32	47.0	10.5	20	18	0,089
		7250-22LR-1NI	G 3/4	36	36	52.0	13.5	22	22	0,173
		7250-28LR-1NI	G 1	41	41	54.0	13	24.5	28	0,209
		7250-35LR-1NI	G 1 1/4	55	50	63.0	15	26.5	35	0,457
S	630	7250-42LR-1NI	G 1 1/2	60	60	66.0	14.5	28.5	42	0,528
		7250-06SR-1NI	G 1/4	19	17	41.0	9	17	6	0,042
		7250-08SR-1NI	G 1/4	19	19	41.0	9	17	8	0,044
		7250-10SR-1NI	G 3/8	24	22	42.5	9.5	17	10	0,069
		7250-12SR-1NI	G 3/8	24	24	42.5	9.5	17	12	0,071
S	400	7250-14SR-1NI	G 1/2	30	27	50.0	12	20	14	0,094
		7250-16SR-1NI	G 1/2	30	30	50.0	11.5	20	16	0,093
		7250-20SR-1NI	G 3/4	36	36	56.0	12.5	22	20	0,189
		7250-25SR-1NI	G 1	41	46	61.0	12.5	24.5	25	0,240
S	315	7250-30SR-1NI	G 1 1/4	55	50	69.0	16	26.5	30	0,503
S	315	7250-38SR-1NI	G 1 1/2	60	60	75.0	15.5	28.5	38	0,615

Terminale diritto femmina

Filettatura: Metrica

S

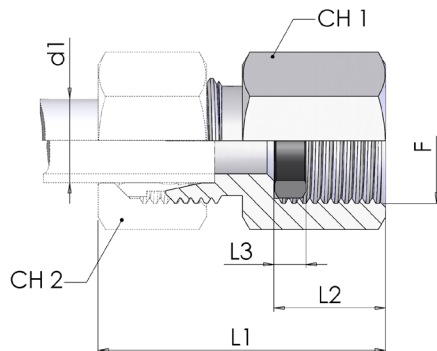
Filettatura: Metric



Type	W.P. bar	Part number	Dimensions						Weight kg/unit	
			Thread					Ø		
			F	CH1	CH2	L1	L2	L3	Ø tube mm	
L	315	7250-06LM-1NI	M 10x1	14	14	33.5	7	12	6	0,018
		7250-08LM-1NI	M 12x1,5	17	17	39.0	7	17	8	0,031
		7250-10LM-1NI	M 14x1,5	19	19	40.0	8	17	10	0,037
		7250-12LM-1NI	M 16x1,5	22	22	40.5	9	17	12	0,051
		7250-15LM-1NI	M 18x1,5	24	27	46.0	14	17	15	0,065
		7250-18LM-1NI	M 22x1,5	30	30	47.0	11.5	19	18	0,109
L	160	7250-22LM-1NI	M 26x1,5	32	36	51.0	13.5	21	22	0,121
S	630	7250-06SM-1NI	M 12x1,5	17	17	41.0	9	17	6	0,048
		7250-08SM-1NI	M 14x1,5	19	19	41.0	9	17	8	0,042
		7250-10SM-1NI	M 16x1,5	22	22	42.5	9.5	17	10	0,058
		7250-12SM-1NI	M 18x1,5	24	24	42.5	9.5	17	12	0,069
		7250-14SM-1NI	M 20x1,5	27	27	50.0	13	19	14	0,096
S	400	7250-16SM-1NI	M 22x1,5	30	30	50.0	12.5	19	16	0,115
		7250-20SM-1NI	M 27x2	36	36	56.0	12.5	22	20	0,186

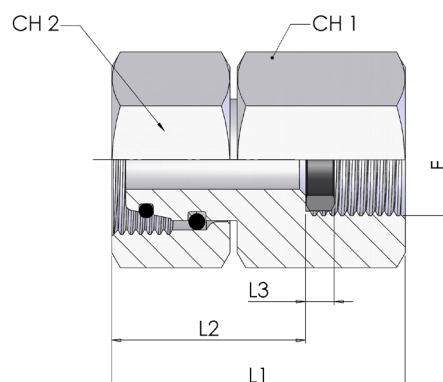
7030

Terminale Portamanometro (ISO 8434-1) SGC

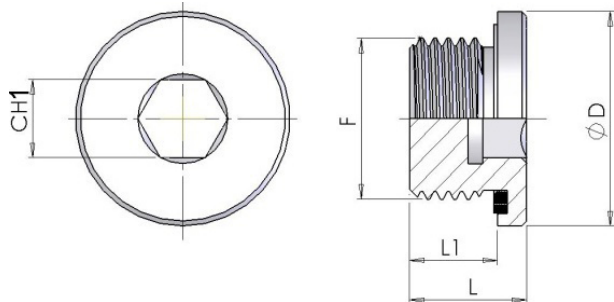


Type	W.P. bar	Part number	Dimensions						Weight kg/unit	
			Thread	CH1	CH2	L1	L2	L3		\varnothing tube mm
L	315	7030-06L-1NI	G 1/4	19	14	37.0	14.5	4.5	6	0,037
		7030-08L-1NI	G 1/4	19	17	37.0	14.5	4.5	8	0,038
		7030-10L-1NI	G 1/4	19	19	38.0	14.5	4.5	10	0,039
		7030-12L-1NI	G 1/4	19	22	38.0	14.5	4.5	12	0,040
S	630	7030-06S-1NI	G 1/2	27	17	46.0	20	5	6	0,086
		7030-08S-1NI	G 1/2	27	19	46.0	20	5	8	0,090
		7030-10S-1NI	G 1/2	27	22	47.0	20	5	10	0,088
		7030-12S-1NI	G 1/2	27	24	47.0	20	5	12	0,090

Terminale Portamanometro girevole (ISO 8434-1) SWOGC



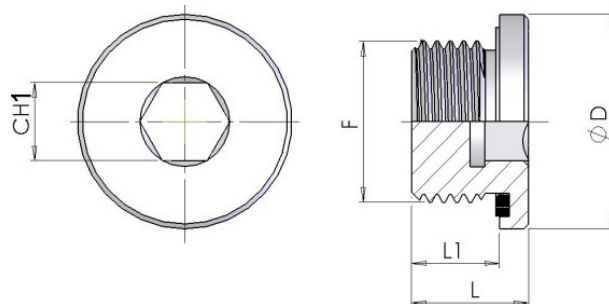
Type	W.P. bar	Part number	Dimensions						Ø tube mm	Weight kg/unit
			Thread	CH1	CH2	L1	L2	L3		
			F	CH1	CH2	L1	L2	L3		
L	315	7035-06LNI	G 1/4	19	14	37.5	23	4.6	6	0,048
		7035-08LNI	G 1/4	19	17	37.5	23	4.6	8	0,055
		7035-10LNI	G 1/4	19	19	36.0	21.5	4.6	10	0,058
		7035-12LNI	G 1/4	19	22	36.0	21.5	4.6	12	0,069
S	630	7035-06SNI	G 1/2	27	17	44.5	24.5	5.2	6	0,103
		7035-08SR04NI	G 1/4	19	19	35.5	21	4.6	8	0,073
		7035-08SNI	G 1/2	27	19	44.5	24.5	5.2	8	0,117
		7035-10SR04NI	G 1/4	19	22	39.0	24.5	4.6	10	0,087
		7035-10SNI	G 1/2	27	22	43.5	23.5	5.2	10	0,113
		7035-12SR04NI	G 1/4	19	24	40.0	24.5	4.6	12	0,102
		7035-12SNI	G 1/2	27	24	45.0	25	5.2	12	0,122



Tappo con esagono incassato
Filettatura: BSPP
(Form E ISO 1179-2)
PLE

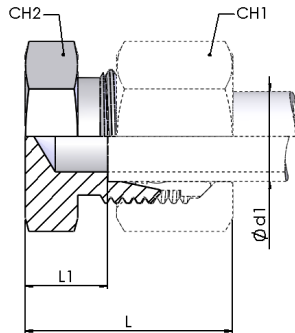
Type	W.P. bar	Part number	Dimensions					Weight kg/unit
			CH1	D	F	L	L1	
400		7260-02NI	5	14	G 1/8	12	8.0	0,007
		7260-04NI	6	19	G 1/4	17	12.0	0,018
		7260-06NI	8	22	G 3/8	17	12.0	0,027
		7260-08NI	10	27	G 1/2	19	14.0	0,044
		7260-12NI	12	32	G 3/4	21	16.0	0,075
		7260-16NI	17	40	G 1	22.5	16.0	0,123
315		7260-20NI	22	50	G 1 1/4	22.5	20.0	0,272
		7260-24NI	24	55	G 1 1/2	22.5	22.0	0,375

Tappo con esagono incassato
Filettatura: Metrica
(Form E ISO 9974-2)
PLE



Type	W.P. bar	Part number	Dimensions					Weight kg/unit
			CH1	D	F	L	L1	
400		7260-10X10NI	5	14	M10x1	12	8.0	0,007
		7260-12X15NI	6	17	M12x1,5	17	12.0	0,014
		7260-14X15NI	6	19	M14x1,5	17	12.0	0,019
		7260-16X15NI	8	22	M16x1,5	17	12.0	0,024
		7260-18X15NI	8	24	M18x1,5	17	12.0	0,032
		7260-20X15NI	10	26	M20x1,5	19	14.0	0,040
		7260-22X15NI	10	27	M22x1,5	19	14.0	0,050
		7260-26X15NI	12	32	M26x1,5	21	16.0	0,074
		7260-27X20NI	12	32	M27x2	21	16.0	0,077
		7260-33X20NI	17	40	M33x2	22.5	16.0	0,124
315		7260-42X20NI	22	50	M42x2	22.5	16.0	0,186
		7260-48X20NI	24	55	M48x2	22.5	16.0	0,244

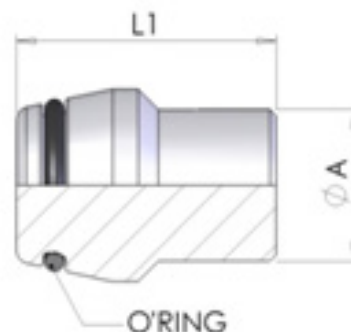
Tappo Maschio (ISO 8434-1) PL



Type	W.P. bar	Part number	Dimensions				Ø tube D1 mm	Weight kg/unit
			CH1	CH2	L	L1		
L	315	7270-06L-1NI	14	12	22	17.5	6	0,008
		7270-08L-1NI	17	14	23	18.5	8	0,012
		7270-10L-1NI	19	17	24	19.5	10	0,016
		7270-12L-1NI	22	19	25	10.5	12	0,022
		7270-15L-1NI	27	24	26	11.5	15	0,038
		7270-18L-1NI	32	27	28	11.5	18	0,054
L	160	7270-22L-1NI	36	32	30	13.5	22	0,077
		7270-28L-1NI	41	41	31	14.5	28	0,133
		7270-35L-1NI	50	46	36	14.5	35	0,201
		7270-42L-1NI	60	55	39	16.5	42	0,340
S	630	7270-06S-1NI	17	14	26	11.5	6	0,016
		7270-08S-1NI	19	17	28	13.5	8	0,026
		7270-10S-1NI	22	19	29	12.5	10	0,031
		7270-12S-1NI	24	22	31	14.5	12	0,045
		7270-14S-1NI	27	24	34	16.5	14	0,059
S	400	7270-16S-1NI	30	27	34	15.5	16	0,068
		7270-20S-1NI	36	32	39	17.5	20	0,120
		7270-25S-1NI	46	41	44	20.5	25	0,213
		7270-30S-1NI	50	46	47	20.5	30	0,281
S	315	7270-38S-1NI	60	55	54	23.5	38	0,498

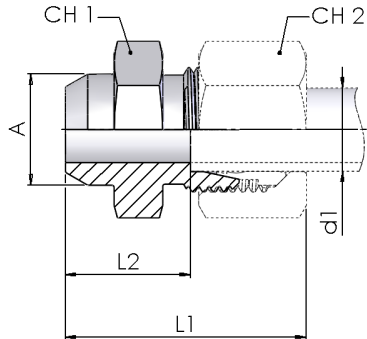
Tappo con O-ring (ISO 8434-1) PL

Con cono di tenuta e O-Ring adattabile alla forma del foro W DIN 3861/ISO 8434-1



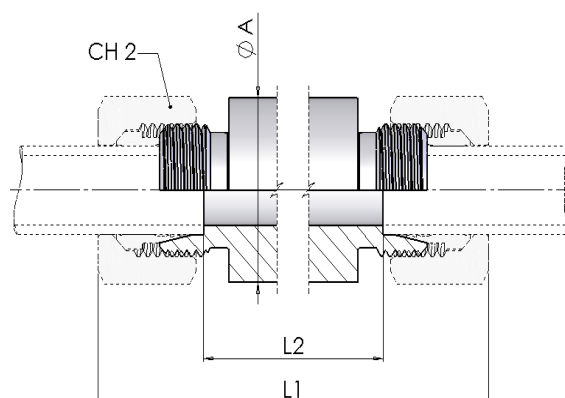
Type	W.P. bar	Part number	Dimensions			Weight kg/unit
			A	L	Ø tube mm	
LS	315	7290-06LSNI	6	17	6	0,006
		7290-08LSNI	8	17	8	0,010
		7290-10LSNI	10	18.5	10	0,016
		7290-12LSNI	12	19.5	12	0,022
L	315	7290-15LNI	15	19.5	15	0,032
		7290-18LNI	18	21.5	18	0,051
L	160	7290-22LNI	22	24	22	0,081
		7290-28LNI	28	24.5	28	0,130
		7290-35LNI	35	28	35	0,240
		7290-42LNI	42	28	42	0,346
S	630	7290-14SNI	14	22.5	14	0,032
S	400	7290-16SNI	16	21.5	16	0,041
		7290-20SNI	20	27	20	0,080
		7290-25SNI	25	27.5	25	0,124
		7290-30SNI	30	29.5	30	0,182
S	315	7290-38SNI	38	31	38	0,315

Terminale diretto a saldare (ISO 8434-1)



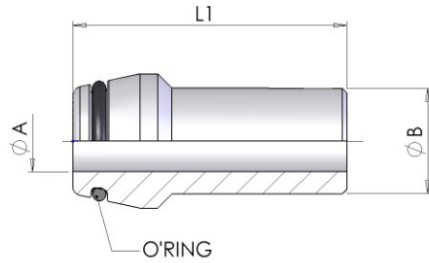
Type	W.P. bar	Part number	Dimensions					Ø tube mm	Weight kg/unit
			A	CH1	CH2	L1	L2		
L	315	7420-06L-1	10	12	14	29.0	14	6	0,010
		7420-08L-1	12	14	17	31.0	16	8	0,015
		7420-10L-1	14	17	19	33.0	18	10	0,021
		7420-12L-1	16	19	22	33.0	18	12	0,026
		7420-15L-1	19	22	27	37.0	22	15	0,043
		7420-18L-1	22	27	32	40.0	23.5	18	0,066
L	160	7420-22L-1	27	32	36	45.0	28.5	22	0,097
		7420-28L-1	32	41	41	47.0	30.5	28	0,159
		7420-35L-1	40	46	50	54.0	32.5	35	0,228
		7420-42L-1	46	55	60	58.0	35	42	0,328
S	630	7420-06S-1	11	14	17	34.0	19	6	0,021
		7420-08S-1	13	17	19	36.0	21	8	0,030
		7420-10S-1	15	19	22	39.0	22.5	10	0,040
		7420-12S-1	17	22	24	41.0	24.5	12	0,055
		7420-14S-1	19	24	27	45.0	27	14	0,070
S	400	7420-16S-1	21	27	30	45.0	26.5	16	0,083
		7420-20S-1	26	32	36	51.0	29.5	20	0,129
		7420-25S-1	31	41	46	56.0	32	25	0,222
S	315	7420-30S-1	36	46	50	62.0	35.5	30	0,295
S	315	7420-38S-1	44	55	60	69.0	38	38	0,455

Terminale Passaparete a saldare (ISO 8434-1) WDBHS



Type	W.P. bar	Part number	Dimensions					Weight kg/unit
			A	CH 2	L1	L2	Ø tube mm	
L	315	7120-06L-1	18	14	85.0	56	6	0,103
		7120-08L-1	20	17	85.0	56	8	0,121
		7120-10L-1	22	19	87.0	58	10	0,143
		7120-12L-1	25	22	87.0	58	12	0,177
		7120-15L-1	28	27	100.0	70	15	0,259
		7120-18L-1	32	32	101.0	69	18	0,334
L	160	7120-22L-1	36	36	105.0	73	22	0,400
		7120-28L-1	40	41	106.0	73	28	0,445
		7120-35L-1	50	50	114.0	71	35	0,723
		7120-42L-1	60	60	115.0	70	42	1,005
S	630	7120-06S-1	20	17	89.0	60	6	0,135
		7120-08S-1	22	19	89.0	60	8	0,162
		7120-10S-1	25	22	91.0	59	10	0,200
		7120-12S-1	28	24	91.0	59	12	0,250
		7120-14S-1	30	27	107.0	72	14	0,337
S	400	7120-16S-1	35	30	107.0	71	16	0,444
		7120-20S-1	38	36	114.0	71	20	0,515
		7120-25S-1	45	46	120.0	72	25	0,723
		7120-30S-1	50	50	126.0	73	30	0,873
S	315	7120-38S-1	60	60	133.0	72	38	1,251

Nipplo a saldare con tenuta ad O-Ring WDNP



Con cono di tenuta e O-Ring adattabile alla forma del foro W DIN 3861/
ISO 8434-1

W.P. bar	Part number	Dimensions		Weight kg/unit
		L1	Ø tube mm	
400	7280-10X20	31.0	10	0,016
	7280-12X25	31.0	12	0,022
	7280-14X30	34.0	14	0,035
	7280-16X30	37.0	16	0,044
	7280-20X40	43.0	20	0,078
	7280-25X40	48.0	25	0,112
	7280-30X50	51.0	30	0,171
315	7280-38X50	55.0	38	0,245

Indice

7400	pag 6
7410	pag 7
7430.....	pag 8
7440	pag 13
7435	pag 16
7450	pag 18
7460	pag 21
7500	pag 24
7510	pag 25
7520	pag 27
7000	pag 28
7010	pag 29
7020	pag 30
7130	pag 31
M107	pag 32
7360	pag 33
7370	pag 35
7380	pag 39
7330	pag 40
7335	pag 41
7350	pag 42
7340	pag 43
7600	pag 44
7605	pag 47
7630	pag 48
7635	pag 49
7610	pag 50
7615	pag 52
7620	pag 53
7625	pag 55
7240	pag 56
7250	pag 58
7030	pag 60
7035	pag 61
7260	pag 62

Indice

7270	pag 64
7290	pag 65
7420	pag 66
7120	pag 67
7280	pag 68



INTERPUMP

FLUID SOLUTIONS 

Powered by I.M.M. Hydraulics



I.M.M. Hydraulics Spa
interpumpfluidsolutions.com

Via Italia, 49-51
66041 - Atessa (Ch) - Italy
T. +39 (0) 0872 889225
F. +39 (0) 0872 889226



CAT-IFS-A