

JIC

in



5000



Nut

6



5010

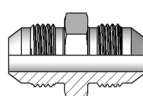


Metric Sleeve

7



1900



Union

8

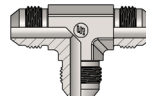
5100



90° Elbow Union

9

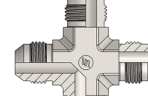
5120



Union Tee

10

5900

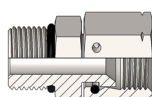


Union Cross

11



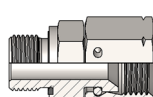
5050



Swivel Connector
M UNF x F JIC

12

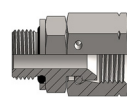
5036



Swivel Connector
F JIC x M BSP OR (ED)

13

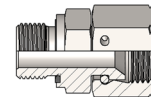
5035



Swivel connector
M BSP x F JIC

14

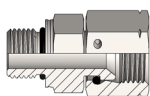
5037



Swivel Connector
F JIC x M Metric OR (ED)

15

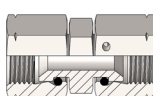
5038



Swivel Connector
M Metric x F JIC

16

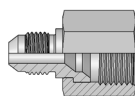
5045



Swivel Union

17

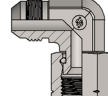
5056



Swivel Reduction
M JIC x F JIC

18

5060



90° Swivel Elbow
F JIC x M JIC

19

5070



45° Swivel Elbow
F JIC x M JIC

20

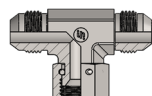
5080



Run Tee Swivel
Connector

21

5090

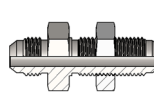


Branch Tee Swivel
Connector

22



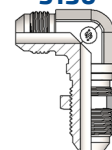
5110



Bulkhead Union

23

5130



90° Bulkhead
Elbow Union

24

J107

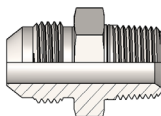


Bulkhead

25



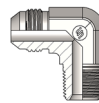
1906



Male Connector

26

5140



90° Elbow Connector

27

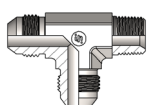
5150



45° Elbow Connector

28

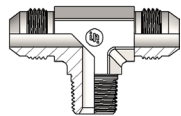
5160



Run Tee Connector

29

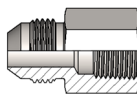
5170



Branch Tee Connector

30

5180

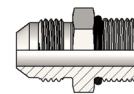


Male-Female Connector

31



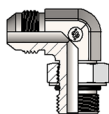
1907



Male Connector

32

5190



90° Elbow Connector

33

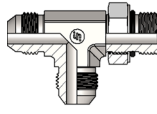
5200



45° Elbow Connector

34

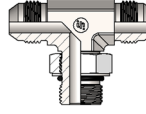
5210



Run Tee Connector

35

5220

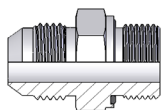


Branch Tee Connector

36



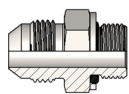
5805



Male Connector
M JIC x M BSP OR (ED)

37

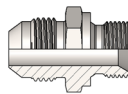
1915



Male Connector
M JIC x M BSP

38

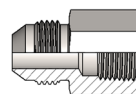
1905



Male Connector
M JIC x M BSP

39

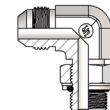
5185



Male-Female Connector

40

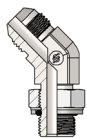
5230



90° Elbow Connector

41

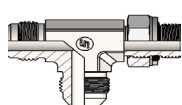
5235



Adjustable 45° Elbow

42

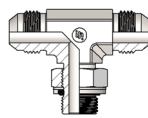
5240



Run Tee Connector

43

5250



Branch Tee Connector

44



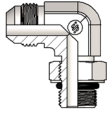
1910



Male Connector
M Metric x M JIC

45

5430



90° Adjustable Stud Elbow

46

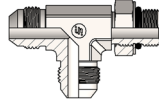
5440



45° Adjustable Stud Elbow

47

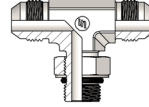
5450



Adjustable Stud Run Tee

48

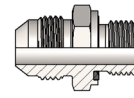
5455



Adjustable Stud Branch Tee

49

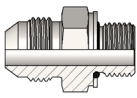
1775



Male Connector
M Metric x M JIC OR (ED)

50

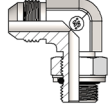
1777



Male Connector
M Metric x M JIC

51

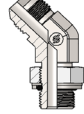
5400



Adjustable Elbow
c

52

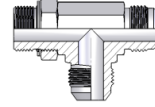
5410



Adjustable 45° Elbow

53

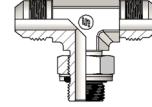
5420



Adjustable Run Tee

54

5425

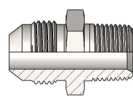


Adjustable Branch Tee

55



1903



Male Connector

56

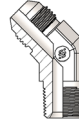
5165



90° Elbow Connector

57

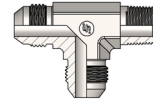
5265



45° Elbow Connector

58

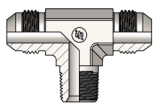
5275



Run Tee Connector

59

5280

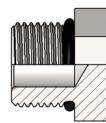


Branch Tee Connector

60



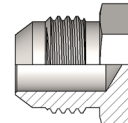
5040



SAE Plug

61

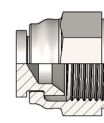
J605



JIC Male Plug

62

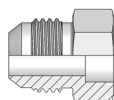
J608



JIC Female Plug

63

MJ



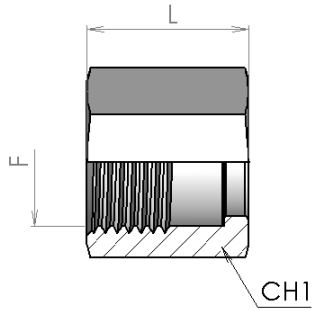
Braze-On Straight
Connector

64

5000

Dado (ISO 8434-2)

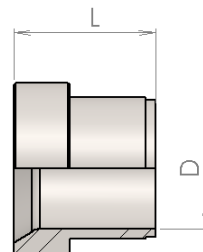
N



Part number	Dimensions				Weight kg/unit
	Ø		L	CH1	
	tube mm	tube inch			
5000-04	6	1/4"	15.8	14	0,011
5000-05	8	5/16"	17.3	17	0,014
5000-06	10	3/8"	18.5	19	0,018
5000-08	12	1/2"	21.6	22	0,029
5000-10	16	5/8"	24.9	27	0,042
5000-12	20	-	26.2	32	0,070
5000-16	25	1"	28.7	41	0,105
5000-20	32	1-1/4"	31.2	50	0,240
5000-24	38	1-1/2"	36.1	60	0,320

Bussola per tubo metrico (ISO 8434-2)

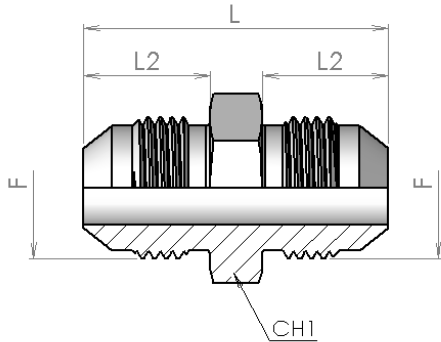
MSL



Part number	Dimensions			Weight kg/unit
	Ø tube mm	D	L	
5010-06	6	6	10.5	0,002
5010-08	8	8	11.5	0,002
5010-10	10	10	12.5	0,002
5010-12	12	12	14.5	0,007
5010-14	14	14	16.5	0,013
5010-16	16	16	16.5	0,015
5010-18	18	18	17	0,016
5010-20	20	20	17	0,012
5010-25	25	25	19.5	0,021
5010-30	30	30	23	0,045
5010-32	32	32	23	0,030
5010-38	38	38	28.5	0,050

Unione diretto maschio JIC (ISO 8434-2)

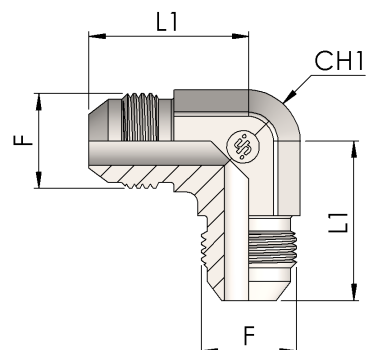
S



Part number	Dimensions						Weight kg/unit
	Ø		F	L	L2	CH1	
	tube mm	tube inch					
1900-04-04	6	1/4"	7/16-20	35	14	12	0,016
1900-05-05	8	5/16"	1/2-20	35	14	14	0,018
1900-06-06	10	3/8"	9/16-18	36	14	17	0,025
1900-08-08	12	1/2"	3/4-16	41	17	22	0,052
1900-10-10	16	5/8"	7/8-14	48	19	24	0,08
1900-12-12	20	3/4"	1 1/16-12	55	22	30	0,125
1900-16-16	25	1"	1 5/16-12	57	23	36	0,13
1900-20-20	30-32	1.1/4"	1 5/8-12	61.5	24	46	0,27
1900-24-24	38	1.1/2"	1 7/8-12	70	27.5	50	0,385
1900-32-32	50	2"	2 1/2-12	86.5	34	65	0,78

Unione a 90° maschio JIC (ISO 8434-2)

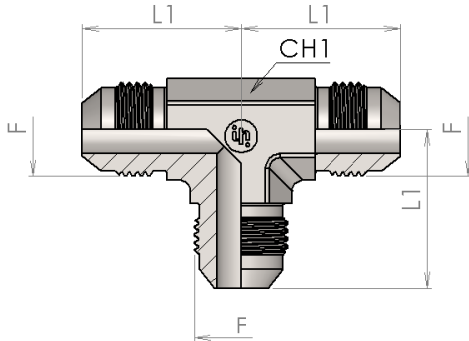
E



Part number	Dimensions					Weight kg/unit
	Ø		F	L1	CH1	
	tube mm	tube inch				
5100-04	6	1/4"	7/16-20	22.5	12	0,025
5100-05	8	5/16"	1/2-20	24	14	0,03
5100-06	10	3/8"	9/16-18	27	14	0,045
5100-08	12	1/2"	3/4-16	32	19	0,09
5100-10	16	5/8"	7/8-14	37	22	0,14
5100-12	20	3/4"	1 1/16-12	42	27	0,26
5100-16	25	1"	1 5/16-12	46	33	0,33
5100-20	32	1.1/4"	1 5/8-12	52.5	41	0,585
5100-24	38	1.1/2"	1 7/8-12	59	50	0,8

Unione a T maschio JIC (ISO 8434-2)

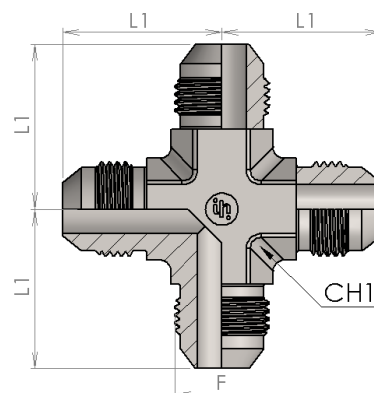
T



Part number	Dimensions						Weight kg/unit
	\varnothing		F	L	L1	CH1	
	tube mm	tube inch					
5120-04	6	1/4"	7/16-20	52	22	12	0,035
5120-05	8	5/16"	1/2-20	48	24	14	0,045
5120-06	10	3/8"	9/16-18	52	27	14	0,055
5120-08	12	1/2"	3/4-16	64	32	19	0,12
5120-10	16	5/8"	7/8-14	64	36	22	0,18
5120-12	20	3/4"	1 1/16-12	84	42	27	0,29
5120-16	25	1"	1 5/16-12	92	46	33	0,415
5120-20	32	1.1/4"	1 5/8-12	104	52	41	0,7
5120-24	38	1.1/2"	1 7/8-12	118	59	50	1

Unione a croce maschio JIC (ISO 8434-2)

K

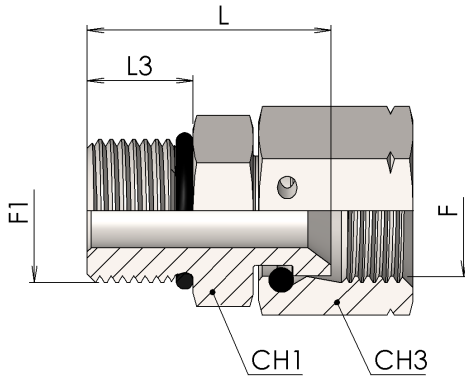


Part number	Dimensions					Weight kg/unit
	Ø		F	L	CH1	
	tube mm	tube inch				
5900-04	6	1/4"	7/16-20	23	14	0,045
5900-05	8	5/16"	1/2-20	24	14	0,05
5900-06	10	3/8"	9/16-18	27	14	0,065
5900-08	12	1/2"	3/4-16	32	19	0,145
5900-10	16	5/8"	7/8-14	37	22	0,22
5900-12	20	3/4"	1 1/16-12	42	27	0,34

5050

Terminale dritto F/M JIC-UNF (ISO 11926)

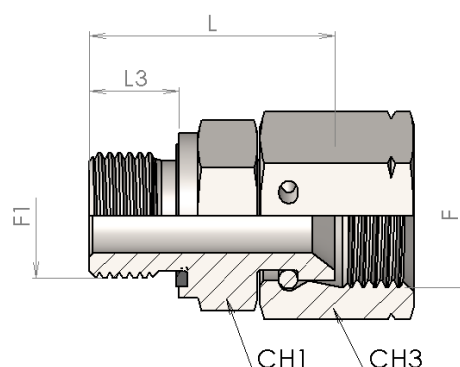
SWS



Part number	Dimensions								Weight kg/unit
	Ø		F	F1	L	L3	CH1	CH3	
	tube mm	tube inch							
5050-04	6	1/4"	7/16-20	7/16-20	27	9	14	14	0,03
5050-05	8	5/16"	1/2-20	1/2-20	28	9	17	17	0,033
5050-06	10	3/8"	9/16-18	9/16-18	32	10	17	19	0,038
5050-08	12	1/2"	3/4-16	3/4-16	33	11	22	22	0,065
5050-10	16	5/8"	7/8-14	7/8-14	36.5	12.5	27	27	0,115
5050-12	20	3/4"	1 1/16-12	1 1/16-12	41	15	32	32	0,185
5050-16	25	1"	1 5/16-12	1 5/16-12	43.5	15	41	41	0,235
5050-20	32	1.1/4"	1 5/8-12	1 5/8-12	47	15	50	60	0,5
5050-24	38	1.1/2"	1 7/8-12	1 7/8-12	51.5	15	55	60	0,69

Terminale dritto F/M JIC-BSP (Form E ISO 1179-2)

SWS

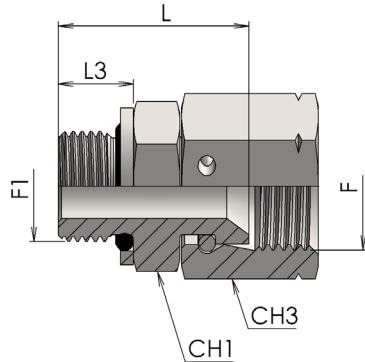


Part number	Dimensions									Weight kg/unit
	Ø		F	F1	D	L	L3	CH1	CH3	
	tube mm	tube inch								
5036-02-04	6	1/4"	7/16-20	G 1/8	26	25	8	14	14	0,03
5036-04-04	6	1/4"	7/16-20	G 1/4	26	30.5	12	19	14	0,04
5036-04-05	8	5/16"	1/2-20	G 1/4	27	31.5	12	19	17	0,042
5036-04-06	10	3/8"	9/16-18	G 1/4	28	32.5	12	19	19	0,045
5036-06-06	10	3/8"	9/16-18	G 3/8	30	34.5	12	22	19	0,06
5036-06-08	12	1/2"	3/4-16	G 3/8	32	33	12	22	22	0,065
5036-06-10	14-16	5/8"	7/8-14	G 3/8	36	34	12	24	27	0,085
5036-08-08	12	1/2"	3/4-16	G 1/2	34	36.5	14	27	22	0,098
5036-08-10	14-16	5/8"	7/8-14	G 1/2	38	37	14	27	27	0,125
5036-12-12	18-20	3/4"	1 1/16-12	G 3/4	39	41	16	32	32	0,27
5036-12-16	25	1"	1 5/16-12	G 3/4	43	42.5	16	36	41	0,32
5036-16-16	25	1"	1 5/16-12	G 1	44	45	18	41	41	0,4
5036-20-20	30-32	1.1/4"	1 5/8-12	G 1.1/4	47	55	20	50	50	0,58
5036-24-24	38	1.1/2"	1 7/8-12	G 1.1/2	55	57	22	55	60	0,79

5035

Terminale dritto F/M JIC-BSP (ISO 1179)

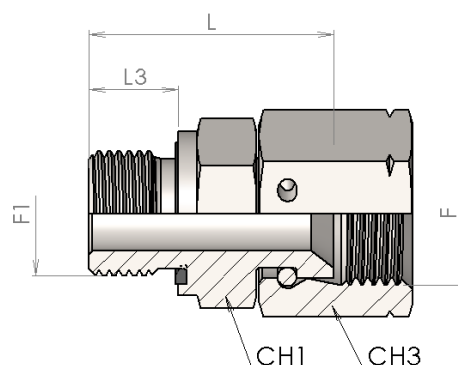
SWS



Part number	Dimensions								Weight kg/unit
	Ø		F	F1	L	L3	CH1	CH3	
	tube mm	tube inch							
5035-04-02	6	1/4"	7/16-20	G 1/8	25	8	14	14	0,03
5035-04-04	6	1/4"	7/16-20	G 1/4	30.5	12	19	14	0,039
5035-04-06	6	1/4"	7/16-20	G 3/8	31.5	12	22	14	0,057
5035-05-04	8	5/16"	1/2-20	G 1/4	31.5	12	19	17	0,042
5035-05-06	8	5/16"	1/2-20	G 3/8	31.5	12	22	17	0,057
5035-06-04	10	3/8"	9/16-18	G 1/4	32.5	12	19	19	0,046
5035-06-06	10	3/8"	9/16-18	G 3/8	32.5	12	22	19	0,061
5035-06-08	10	3/8"	9/16-18	G 1/2	34.5	14	27	19	0,089
5035-08-04	12	1/2"	3/4-16	G 1/4	33	12	19	22	0,055
5035-08-06	12	1/2"	3/4-16	G 3/8	33	12	22	22	0,062
5035-08-08	12	1/2"	3/4-16	G 1/2	36.5	14	27	22	0,098
5035-10-06	16	5/8"	7/8-14	G 3/8	34	12	24	27	0,084
5035-10-08	16	5/8"	7/8-14	G 1/2	37	14	27	27	0,127
5035-10-12	16	5/8"	7/8-14	G 3/4	41	16	36	27	0,25
5035-12-08	20	3/4"	1 1/16-12	G 1/2	37	14	27	32	0,15
5035-12-12	20	3/4"	1 1/16-12	G 3/4	41	16	36	32	0,27
5035-12-16	20	3/4"	1 1/16-12	G 1	43.5	18	41	41	0,36
5035-16-12	25	1"	1 5/16-12	G 3/4	42.5	16	36	41	0,32
5035-16-16	25	1"	1 5/16-12	G 1	45	18	41	41	0,4
5035-20-20	30	0	1 5/8-12	G 1.1/4	55	20	50	50	0,58
5035-24-24	38	1.1/2"	1 7/8-12	G 1.1/2	57	22	55	60	0,79

**Terminale dritto F/M
JIC-METRICO
(Form E ISO 9974-2)**

SWS

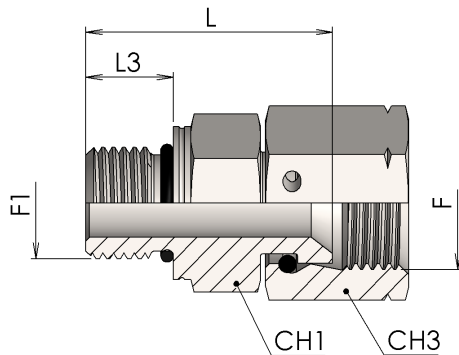


Part number	Dimensions									Weight kg/unit
	Ø		F	F1	D	L	L3	CH1	CH3	
	tube mm	tube inch								
5037-10-04	6	1/4"	7/16-20	M10x1	24.5	25	8	14	14	0,028
5037-12-05	8	5/16"	1/2-20	M12x1,5	26	30	12	17	17	0,032
5037-14-06	10	3/8"	9/16-18	M14x1,5	26.8	32	12	19	19	0,042
5037-16-08	12	1/2"	3/4-16	M16x1,5	29.6	32.5	12	22	22	0,062
5037-18-08	12	1/2"	3/4-16	M18x1,5	30.6	33.5	12	24	22	0,07
5037-18-10	14-16	5/8"	7/8-14	M18x1,5	34.6	34	12	24	27	0,125
5037-22-10	14-16	5/8"	7/8-14	M22x1,5	36.1	37	14	27	27	0,155
5037-22-12	18-20	3/4"	1 1/16-12	M22x1,5	36.2	38	14	27	32	0,16
5037-27-12	18-20	3/4"	1 1/16-12	M27x2	36.7	41	16	32	32	0,175
5037-33-16	25	1"	1 5/16-12	M33x2	41.4	43	18	41	41	0,26
5037-42-20	30-32	1.1/4"	1 5/8-12	M42x2	43.8	50.5	20	50	50	0,485

5038

Terminale dritto F/M JIC-METRICO (ISO 6149)

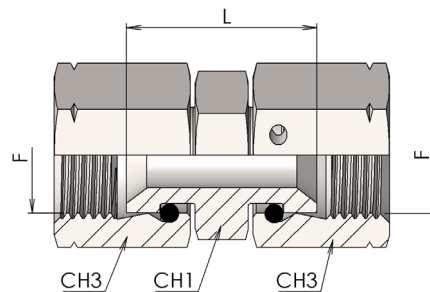
SWS



Part number	Dimensions								Weight kg/unit
	Ø								
	tube mm	tube inch	F	F1	L	L3	CH1	CH3	
5038-10-04	6	1/4"	7/16-20	M10x1	26.5	9.5	14	14	0,025
5038-10-05	8	5/16"	1/2-20	M10x1	27.5	9.5	14	14	0,04
5038-12-04	6	1/4"	7/16-20	M12x1,5	28	11	17	14	0,03
5038-12-05	8	5/16"	1/2-20	M12x1,5	29	11	17	17	0,065
5038-14-06	10	3/8"	9/16-18	M14x1,5	31	11	19	19	0,07
5038-16-06	10	3/8"	9/16-18	M16x1,5	32.5	12.5	22	19	0,08
5038-16-08	12	1/2"	3/4-16	M16x1,5	33	12.5	22	22	0,085
5038-18-08	12	1/2"	3/4-16	M18x1,5	35.5	14	24	22	0,095
5038-18-10	14-16	5/8"	7/8-14	M18x1,5	36	14	24	27	0,11
5038-22-10	14-16	5/8"	7/8-14	M22x1,5	38	15	27	27	0,12
5038-22-12	18-20	3/4"	1 1/16-12	M22x1,5	39	15	27	32	0,185
5038-27-12	18-20	3/4"	1 1/16-12	M27x2	43.5	18.5	32	32	0,2
5038-27-16	25	1"	1 5/16-12	M27x2	45	18.5	32	41	0,23
5038-33-16	25	1"	1 5/16-12	M33x2	45.5	18.5	41	41	0,25
5038-42-20	30-32	1.1/4"	1 5/8-12	M42x2	49.5	19	50	50	0,5
5038-48-24	38	1.1/2"	1 7/8-12	M48x2	54.5	21.5	55	60	0,69

Unione diritto girevole
JIC
(ISO 8434-2)

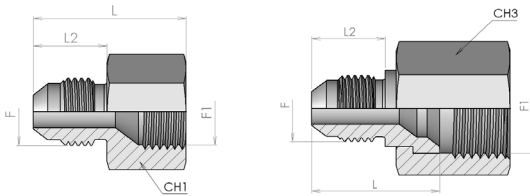
SWS



Part number	Dimensions						Weight kg/unit
	Ø		F	L	CH1	CH3	
	tube mm	tube inch					
5045-06	10	3/8"	9/16-18	26	19	19	0,04
5045-08	12	1/2"	3/4-16	29.5	22	22	0,07
5045-10	14-16	5/8"	7/8-14	31.5	27	27	0,12
5045-12	18-20	3/4"	1 1/16-12	33.5	32	32	0,19
5045-16	25	1"	1 5/16-12	38	41	41	0,245

Terminale dritto di riduzione F/M JIC

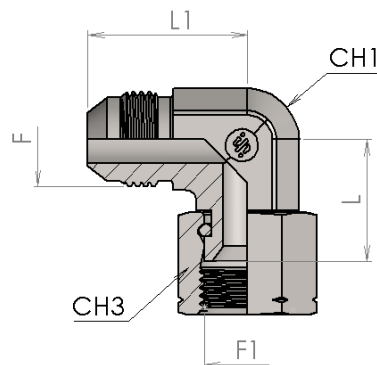
SRDS



Part number	Dimensions								Weight kg/unit
	Ø								
	tube mm	tube inch	F	F1	L	L2	CH1	CH3	
5056-06-04	6	1/4"	7/16-20	9/16-18	24.5	14		19	0,032
5056-06-05	8	5/16"	1/2-20	9/16-18	26	14	19		0,03
5056-08-04	6	1/4"	7/16-20	3/4-16	27.5	14		22	0,038
5056-08-05	8	5/16"	1/2-20	3/4-16	27.5	14		22	0,035
5056-08-06	10	3/8"	9/16-18	3/4-16	27.5	14		22	0,032
5056-10-04	6	1/4"	7/16-20	7/8-14	27.5	14		27	0,083
5056-10-06	10	3/8"	9/16-18	7/8-14	27.5	14		27	0,078
5056-10-08	12	1/2"	3/4-16	7/8-14	37	16.7	27		0,075
5056-12-04	6	1/4"	7/16-20	1 1/16-12	31	14		32	0,12
5056-12-06	10	3/8"	9/16-18	1 1/16-12	31	14		32	0,115
5056-12-08	12	1/2"	3/4-16	1 1/16-12	33.5	16.7		32	0,128
5056-12-10	14-16	5/8"	7/8-14	1 1/16-12	36	19.3	32		0,12
5056-16-10	14-16	5/8"	7/8-14	1 5/16-12	35	19.3		41	0,24
5056-16-12	18-20	3/4"	1 1/16-12	1 5/16-12	35	22		41	0,25
5056-20-12	18-20	3/4"	1 1/16-12	1 5/8-12	41	22		50	0,37
5056-20-16	25	1"	1 5/16-12	1 5/8-12	42	23		50	0,355
5056-24-20	30-32	1.1/4"	1 5/8-12	1 7/8-12	43	24.5		60	0,615

Girevole a 90° F/M JIC (ISO 8434-2)

SWE

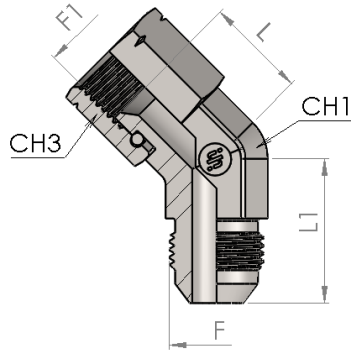


Part number	Dimensions								Weight kg/unit
	Ø		F	F1	L	L1	CH1	CH3	
	tube mm	tube inch							
5060-04	6	1/4"	7/16-20	7/16-20	16.7	22	12	14	0,037
5060-05	8	5/16"	1/2-20	1/2-20	17.4	24	14	17	0,043
5060-06	10	3/8"	9/16-18	9/16-18	22.3	27	14	19	0,054
5060-08	12	1/2"	3/4-16	3/4-16	24.4	32	19	22	0,105
5060-10	16	5/8"	7/8-14	7/8-14	28.4	36	22	27	0,162
5060-12	20	3/4"	1.1/16-12	1.1/16-12	30.1	42	27	32	0,26
5060-16	25	1"	1.5/16-12	1.5/16-12	35.7	46	33	41	0,42
5060-20	30-32	1.1/4"	1.5/8-12	1.5/8-12	42.8	52	41	50	0,679
5060-24	38	1.1/2"	1.7/8-12	1.7/8-12	47.2	59	50	60	0,747

5070

**Girevole a 45° F/M
JIC
(ISO 8434-2)**

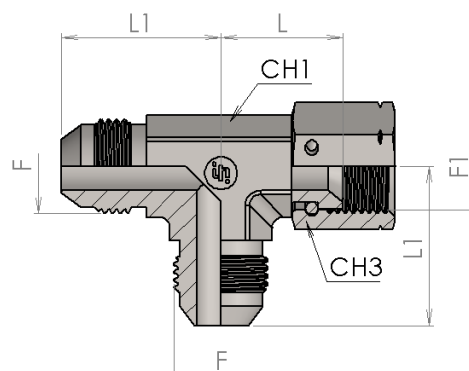
SWE45



Part number	Dimensions								Weight kg/unit
	Ø		F	F1	L	L1	CH1	CH3	
	tube mm	tube inch							
5070-04	6	1/4"	7/16-20	7/16-20	15	18.5	12	14	0,03
5070-05	8	5/16"	1/2-20	1/2-20	16	19.5	14	17	0,045
5070-06	10	3/8"	9/16-18	9/16-18	19	21	14	19	0,047
5070-08	12	1/2"	3/4-16	3/4-16	22	25	19	22	0,089
5070-10	16	5/8"	7/8-14	7/8-14	24	28	22	27	0,131
5070-12	20	3/4"	1.1/16-12	1.1/16-12	24	32.5	27	32	0,203
5070-16	25	1"	1.5/16-12	1.5/16-12	29.5	37.5	33	41	0,335
5070-20	30-32	1.1/4"	1.5/8-12	1.5/8-12	35.5	40.5	41	50	0,572

Girevole a T laterale F/M JIC (ISO 8434-2)

SWRT

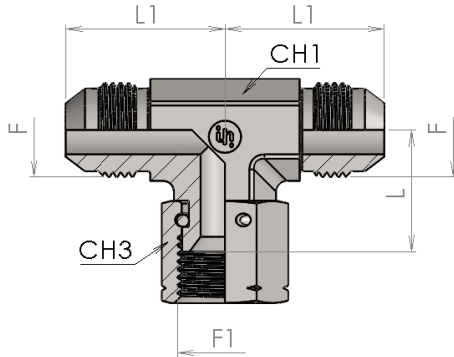


Part number	Dimensions								Weight kg/unit
	Ø		F	F1	L	L1	CH1	CH3	
	tube mm	tube inch							
5080-04	6	1/4"	7/16-20	7/16-20	16.7	22	12	14	0,044
5080-05	8	5/16"	1/2-20	1/2-20	17.4	24	14	17	0,058
5080-06	10	3/8"	9/16-18	9/16-18	22.3	27	14	19	0,071
5080-08	12	1/2"	3/4-16	3/4-16	24.4	32	19	22	0,133
5080-10	16	5/8"	7/8-14	7/8-14	28.4	36	22	27	0,203
5080-12	20	3/4"	1.1/16-12	1.1/16-12	30.1	42	27	32	0,328
5080-16	25	1"	1.5/16-12	1.5/16-12	35.7	46	33	41	0,483
5080-20	30-32	1.1/4"	1.5/8-12	1.5/8-12	42.8	52	41	50	0,7018
5080-24	38	1.1/2"	1.7/8-12	1.7/8-12	47.2	59	50	60	1,1

5090

Girevole a T centrale F/M JIC (ISO 8434-2)

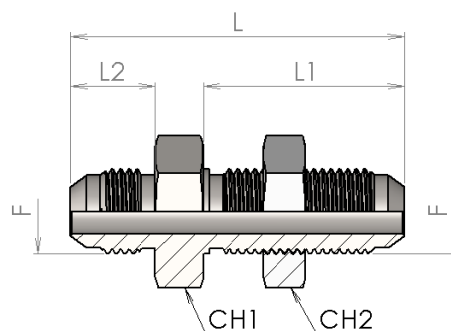
SWBT



Part number	Dimensions								Weight kg/unit
	Ø		F	F1	L	L1	CH1	CH3	
	tube mm	tube inch							
5090-04	6	1/4"	7/16-20	7/16-20	16.7	22	12	14	0,044
5090-05	8	5/16"	1/2-20	1/2-20	17.4	24	14	17	0,058
5090-06	10	3/8"	9/16-18	9/16-18	22.3	27	14	19	0,071
5090-08	12	1/2"	3/4-16	3/4-16	24.4	32	19	22	0,133
5090-10	16	5/8"	7/8-14	7/8-14	28.4	36	22	27	0,203
5090-12	20	3/4"	1.1/16-12	1.1/16-12	30.1	42	27	32	0,328
5090-16	25	1"	1.5/16-12	1.5/16-12	35.7	46	33	41	0,483
5090-20	30-32	1.1/4"	1.5/8-12	1.5/8-12	42.8	52	41	50	0,7018
5090-24	38	1.1/2"	1.7/8-12	1.7/8-12	47.2	59	50	60	1,1

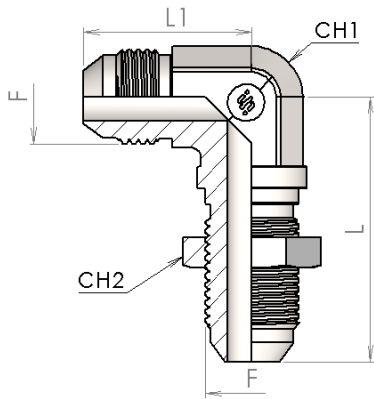
Passaparete dritto JIC (ISO 8434-2)

BHS



Part number	Dimensions								Weight kg/unit
	Ø		F	L	L1	L2	CH1	CH2	
	tube mm	tube inch							
5110-04	6	1/4"	7/16-20	52.5	30.5	14	17	17	0,04
5110-05	8	5/16"	1/2-20	52.5	30.5	14	19	19	0,048
5110-06	10	3/8"	9/16-18	55.5	32.5	14	22	22	0,065
5110-08	12	1/2"	3/4-16	62	36.5	17	24	24	0,11
5110-10	16	5/8"	7/8-14	69.5	40	19	30	30	0,155
5110-12	20	3/4"	1 1/16-12	78.5	44.5	22	36	36	0,255
5110-16	25	1"	1 5/16-12	80	44.5	23	41	41	0,335
5110-20	32	1.1/4"	1 5/8-12	84	45.5	14	50	50	0,465
5110-24	38	1.1/2"	1 7/8-12	89.5	46	27.5	55	55	0,7

5130

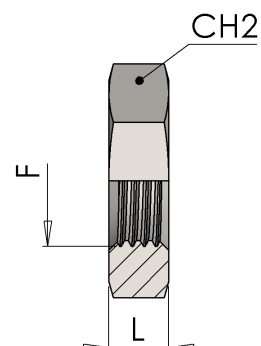


**Passaparete a 90°
JIC
(ISO 8434-2)**

BHE

Part number	Dimensions							Weight kg/unit
	Ø		F	L	L1	CH1	CH2	
	tube mm	tube inch						
5130-04	6	1/4"	7/16-20	40.5	24.5	14	17	0,05
5130-05	8	5/16"	1/2-20	43.5	27	14	19	0,065
5130-06	10	3/8"	9/16-18	46	27.5	14	22	0,072
5130-08	12	1/2"	3/4-16	53.5	34	19	24	0,15
5130-10	16	5/8"	7/8-14	60	39	22	30	0,21
5130-12	20	3/4"	1 1/16-12	68	45	27	36	0,34
5130-16	25	1"	1 5/16-12	71	49.5	33	41	0,45

Controdado per passaparete

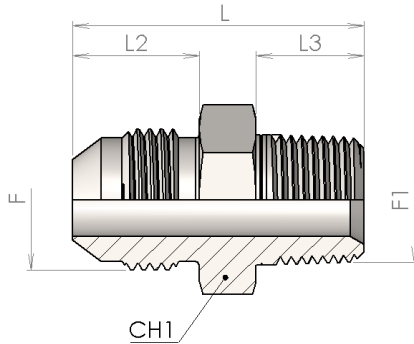


Part number	Dimensions			Weight kg/unit
	F	L	CH2	
J107-04	7/16-20	7	17	0,008
J107-05	1/2-20	7.5	19	0,007
J107-06	9/16-18	7	22	0,011
J107-08	3/4-16	9	24	0,015
J107-10	7/8-14	10	30	0,031
J107-12	1.1/16-12	12	36	0,054
J107-16	1.5/16-12	12	41	0,057
J107-20	1.5/8-12	13	50	0,087
J107-24	1.7/8-12	13	55	0,088

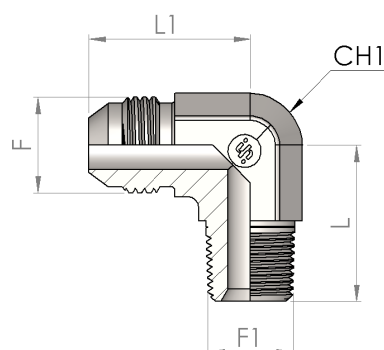
1906

Terminale dritto M/M JIC-NPTF

SDS

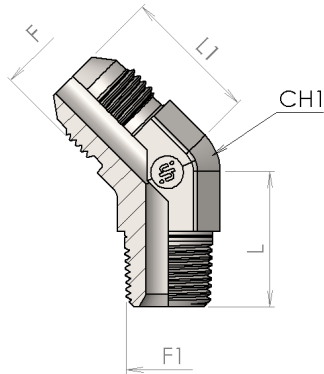


Part number	Dimensions								Weight kg/unit
	Ø		F	F1	L	L2	L3	CH1	
	tube mm	tube inch							
1906-02-04	6	1/4"	7/16-20	1/8-27 NPTF	30	14	10	12	0,014
1906-02-05	8	5/16"	1/2-20	1/8-27 NPTF	31	14	10	14	0,017
1906-04-04	6	1/4"	7/16-20	1/4-18 NPTF	36	14	14.5	14	0,025
1906-04-05	8	5/16"	1/2-20	1/4-18 NPTF	36	14	14.5	14	0,025
1906-04-06	10	3/8"	9/16-18	1/4-18 NPTF	36	14	14.5	17	0,027
1906-06-06	10	3/8"	9/16-18	3/8-18 NPTF	35	14	14.5	19	0,03
1906-06-08	12	1/2"	3/4-16	3/8-18 NPTF	37.5	17	14.5	22	0,045
1906-06-10	16	5/8"	7/8-14	3/8-18 NPTF	43	19	14.5	24	0,063
1906-08-06	10	3/8"	9/16-18	1/2-14 NPTF	41	14	19	22	0,047
1906-08-08	12	1/2"	3/4-16	1/2-14 NPTF	43.5	17	19	22	0,074
1906-08-10	16	5/8"	7/8-14	1/2-14 NPTF	48	19	19	24	0,077
1906-08-12	20	3/4"	1 1/16-12	1/2-14 NPTF	49	22	19	30	0,1
1906-12-10	16	5/8"	7/8-14	3/4-14 NPTF	49.5	19	19	27	0,12
1906-12-12	20	3/4"	1 1/16-12	3/4-14 NPTF	52.5	22	19	30	0,12
1906-12-16	25	1"	1 5/16-12	3/4-14 NPTF	52	23	19	36	0,15
1906-16-12	20	3/4"	1 1/16-12	1-11.1/2 NPTF	56	22	24	36	0,175
1906-16-16	25	1"	1 5/16-12	1-11.1/2 NPTF	58.5	23	24	36	0,19
1906-20-20	32	1.1/4"	1 5/8-12	1.1/4-1.1/2 NPTF	60.5	24	24.6	46	0,315
1906-24-24	38	1.1/2"	1 7/8-12	1.1/2-11.1/2 NPTF	66	27.5	25.5	50	0,43
1906-32-32	50	2"	2 1/2-12	2-11/12 NPTF	77.6	33.9	26.2	65	0,774

**Terminale a 90° M/M
JIC-NPTF**
SDE


Part number	Dimensions							Weight kg/unit
	Ø		F	F1	L	L1	CH1	
	tube mm	tube inch						
5140-02-04	6	1/4"	7/16-20	1/8-27 NPTF	19.5	22	12	0,023
5140-02-05	8	5/16"	1/2-20	1/8-27 NPTF	24.5	24	14	0,029
5140-04-04	6	1/4"	7/16-20	1/4-18 NPTF	27.5	23	14	0,042
5140-04-05	8	5/16"	1/2-20	1/4-18 NPTF	27.5	24	14	0,042
5140-04-06	10	3/8"	9/16-18	1/4-18 NPTF	27.5	27	14	0,045
5140-06-06	10	3/8"	9/16-18	3/8-18 NPTF	31	29.5	19	0,076
5140-06-08	12	1/2"	3/4-16	3/8-18 NPTF	31	32	19	0,086
5140-06-10	14-16	5/8"	7/8-14	3/8-18 NPTF	33.5	36	22	0,127
5140-08-06	10	3/8"	9/16-18	1/2-14 NPTF	36	31.5	22	0,117
5140-08-08	12	1/2"	3/4-16	1/2-14 NPTF	36	34	22	0,125
5140-08-10	14-16	5/8"	7/8-14	1/2-14 NPTF	36	36	22	0,129
5140-08-12	18-20	3/4"	1.1/16-12	1/2-14 NPTF	38	42	27	0,204
5140-12-08	12	1/2"	3/4-16	3/4-14 NPTF	40.5	37	27	0,19
5140-12-10	14-16	5/8"	7/8-14	3/4-14 NPTF	40.5	39	27	0,192
5140-12-12	18-20	3/4"	1.1/16-12	3/4-14 NPTF	40.5	42	27	0,198
5140-12-16	25	1"	1.5/16-12	3/4-14 NPTF	45	46	33	0,318
5140-16-16	25	1"	1.5/16-12	1-11.1/2 NPTF	50	46	33	0,328
5140-20-20	30-32	1.1/4"	1.5/8-12	1.1/4-11.1/2 NPTF	60.5	52	41	0,549
5140-24-24	38	1.1/2"	1.7/8-12	1.1/2-11.1/2 NPTF	67	59	50	0,747

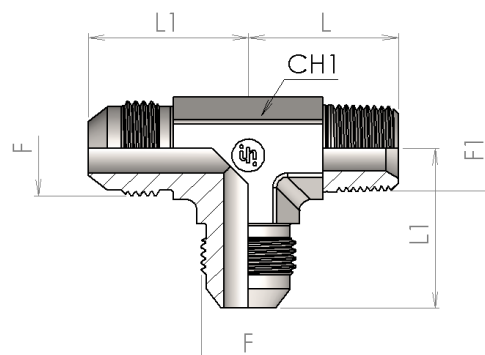
5150



Terminale a 45° M/M JIC-NPTF

SDE45

Part number	Dimensions							Weight kg/unit
	Ø		F	F1	L	L1	CH1	
	tube mm	tube inch						
5150-02-04	6	1/4"	7/16-20	1/8-27 NPTF	16.5	18.5	12	0,02
5150-02-05	8	5/16"	1/2-20	1/8-27 NPTF	16.5	19.5	14	0,025
5150-04-04	6	1/4"	7/16-20	1/4-18 NPTF	22	21	14	0,03
5150-04-05	8	5/16"	1/2-20	1/4-18 NPTF	22	21	14	0,03
5150-04-06	10	3/8"	9/16-18	1/4-18 NPTF	22	21	14	0,027
5150-06-06	10	3/8"	9/16-18	3/8-18 NPTF	24	22	19	0,052
5150-06-08	12	1/2"	3/4-16	3/8-18 NPTF	24	25	19	0,06
5150-06-10	14-16	5/8"	7/8-14	3/8-18 NPTF	25	28	22	0,095
5150-08-08	12	1/2"	3/4-16	1/2-14 NPTF	29.5	25	22	0,092
5150-08-10	14-16	5/8"	7/8-14	1/2-14 NPTF	29.5	28	22	0,092
5150-08-12	18-20	3/4"	1.1/16-12	1/2-14 NPTF	30.5	32.5	27	0,145
5150-12-12	18-20	3/4"	1.1/16-12	3/4-14 NPTF	30.5	32.5	27	0,15
5150-12-16	25	1"	1.5/16-12	3/4-14 NPTF	32.5	37	33	0,215
5150-16-16	25	1"	1.5/16-12	1-11.1/2 NPTF	37.5	37	33	0,24
5150-20-20	30-32	1.1/4"	1.5/8-12	1.1/4-11.1/2 NPTF	42.5	40.5	41	0,385

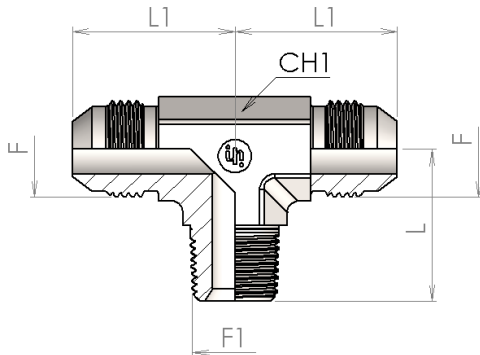
**Terminale a T laterale M/M
JIC-NPTF**
SDRT


Part number	Dimensions							Weight kg/unit
	Ø		F	F1	L	L1	CH1	
	tube mm	tube inch						
5160-02-04	6	1/4"	7/16-20	1/8-27 NPTF	19.5	22	12	0,031
5160-02-05	8	5/16"	1/2-20	1/8-27 NPTF	24.5	24	14	0,037
5160-04-04	6	1/4"	7/16-20	1/4-18 NPTF	27.5	23	14	0,049
5160-04-06	10	3/8"	9/16-18	1/4-18 NPTF	27.5	27	14	0,057
5160-06-06	10	3/8"	9/16-18	3/8-18 NPTF	31	29.5	22	0,077
5160-06-08	12	1/2"	3/4-16	3/8-18 NPTF	31	32	19	0,113
5160-08-08	12	1/2"	3/4-16	1/2-16 NPTF	36	34	19	0,164
5160-08-10	14-16	5/8"	7/8-14	1/2-14 NPTF	36	36	22	0,173
5160-12-12	18-20	3/4"	1.1/16-12	3/4-14 NPTF	40.5	42	27	0,272
5160-16-16	25	1"	1.5/16-12	1-11.1/2 NPTF	50	46	33	0,413
5160-20-20	30-32	1.1/4"	1.5/8-12	1.1/4-11.1/2 NPTF	60.5	52	41	0,681
5160-24-24	38	1.1/2"	1.7/8-12	1.1/2-11.1/2 NPTF	67	59	50	0,905

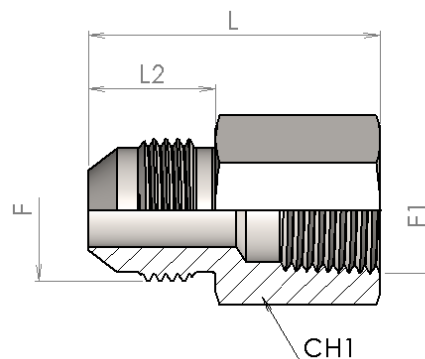
5170

**Terminale a T centrale M/M
JIC-NPTF**

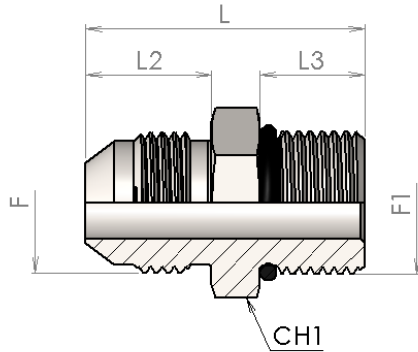
SDBT



Part number	Dimensions							Weight kg/unit
	Ø		F	F1	L	L1	CH1	
	tube mm	tube inch						
5170-02-04	6	1/4"	7/16-20	1/8-27 NPTF	19.5	22	12	0,031
5170-02-05	8	5/16"	1/2-20	1/8-27 NPTF	24.5	24	14	0,037
5170-04-04	6	1/4"	7/16-20	1/4-18 NPTF	27.5	23	14	0,049
5170-04-06	10	3/8"	9/16-18	1/4-18 NPTF	27.5	27	14	0,057
5170-06-06	10	3/8"	9/16-18	3/8-18 NPTF	31	29.5	19	0,077
5170-06-08	12	1/2"	3/4-16	3/8-18 NPTF	31	32	19	0,113
5170-08-08	12	1/2"	3/4-16	1/2-14 NPTF	36	34	22	0,164
5170-08-10	14-16	5/8"	7/8-14	1/2-14 NPTF	36	36	22	0,173
5170-12-12	18-20	3/4"	1.1/16-12	3/4-14 NPTF	40.5	42	27	0,272
5170-16-16	25	1"	1.5/16-12	1-11.1/2 NPTF	50	46	33	0,413
5170-20-20	30-32	1.1/4"	1.5/8-12	1.1/4-11.1/2 NPTF	60.5	52	41	0,681
5170-24-24	38	1.1/2"	1.7/8-12	1.1/2-11.1/2 NPTF	67	59	50	0,905

**Terminale dritto M/F fissa
JIC-NPTF**
SWS


Part number	Dimensions							Weight kg/unit
	Ø		F	F1	L	L2	CH1	
	tube mm	tube inch						
5180-02-04	6	1/4"	7/16-20	1/8-27 NPTF	30	14	14	0,045
5180-02-05	8	5/16"	1/2-20	1/8-27 NPTF	30	14	14	0,04
5180-04-05	8	5/16"	1/2-20	1/4-18 NPTF	35.5	14	19	0,045
5180-04-06	10	3/8"	9/16-18	1/4-18 NPTF	35.5	14	19	0,04
5180-06-06	10	3/8"	9/16-18	3/8-18 NPTF	36.5	14	22	0,065
5180-06-08	12	1/2"	3/4-16	3/8-18 NPTF	39.5	17	22	0,045
5180-08-10	16	5/8"	7/8-14	1/2-14 NPTF	48	19.5	30	0,125
5180-12-12	20	3/4"	1.1/16-12	3/4-14 NPTF	52.5	22	36	0,19
5180-16-16	25	1"	1.5/16-12	1-11.1/2 NPTF	59.5	23	41	0,28
5180-20-20	30-32	1.1/4"	1.5/8-12	1.1/4-1.1/2 NPTF	63	24.5	50	0,41
5180-24-24	38	1.1/2"	1.7/8-12	1.1/2-11.1/2 NPTF	66.5	27.5	60	0,37



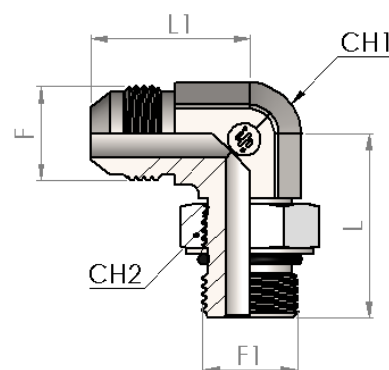
Terminale dritto M/M JIC-UNF (ISO 11926)

SDS

Part number	Dimensions								Weight kg/unit
	Ø		F	F1	L	L2	L3	CH1	
	tube mm	tube inch							
1907-04-04	6	1/4"	7/16-20	7/16-20	31	14	9	14	0,015
1907-04-05	6	1/4"	7/16-20	1/2-20	31	14	9	17	0,025
1907-04-06	6	1/4"	7/16-20	9/16-18	32.5	14	10	17	0,027
1907-05-05	8	5/16"	1/2-20	1/2-20	31	14	9	17	0,02
1907-06-06	10	3/8"	9/16-18	9/16-18	33	14	10	17	0,025
1907-06-08	10	3/8"	9/16-18	3/4-16	35	14	11	22	0,045
1907-08-08	12	1/2"	3/4-16	3/4-16	37.5	17	11	22	0,06
1907-08-10	12	1/2"	3/4-16	7/8-14	40	17	12.5	27	0,075
1907-08-12	12	1/2"	3/4-16	1 1/16-12	44.5	17	15	32	0,125
1907-10-08	14-16	5/8"	7/8-14	3/4-16	40	19	11	24	0,065
1907-10-10	14-16	5/8"	7/8-14	7/8-14	43	19	12.5	27	0,075
1907-10-12	14-16	5/8"	7/8-14	1 1/16-12	47.5	19	15	32	0,135
1907-12-08	18-20	3/4"	1 1/16-12	3/4-16	44.5	22	11	27	0,1
1907-12-10	18-20	3/4"	1 1/16-12	7/8-14	47.5	22	12.5	27	0,11
1907-12-12	18-20	3/4"	1 1/16-12	1 1/16-12	50	22	15	32	0,135
1907-12-16	18-20	3/4"	1 1/16-12	1 5/16-12	51	22	15	38	0,2
1907-16-12	25	1"	1 5/16-12	1 1/16-12	50.5	23	15	36	0,2
1907-16-16	25	1"	1 5/16-12	1 5/16-12	52	23	15	38	0,205
1907-20-20	30-32	1.1/4"	1 5/8-12	1 5/8-12	55	24	15	50	0,364
1907-24-24	38	1.1/2"	1 7/8-12	1 7/8-12	60	27.5	15	55	0,487

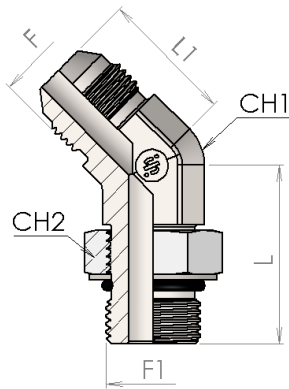
Curva Orientabile 90° M/M JIC-UNF (ISO 11926)

SDE



Part number	Dimensions								Weight kg/unit
	Ø		F	F1	L	L1	CH1	CH2	
	tube mm	tube inch							
5190-04	6	1/4"	7/16-20	7/16-20	27	22	12	14	0,037
5190-04-05	8	5/16"	1/2-20	7/16-20	28.5	24	14	14	0,055
5190-05	8	5/16"	1/2-20	1/2-20	30	24	14	17	0,047
5190-05-06	10	3/8"	9/16-18	1/2-20	31.5	27	14	17	0,099
5190-06	10	3/8"	9/16-18	9/16-18	33	27	14	19	0,063
5190-06-08	12	1/2"	3/4-16	9/16-18	35	32	19	19	0,13
5190-08	12	1/2"	3/4-16	3/4-16	37	32	19	24	0,16
5190-08-10	16	5/8"	7/8-14	3/4-16	40	36	22	24	0,18
5190-10	16	5/8"	7/8-14	7/8-14	43	36	22	27	0,186
5190-10-12	20	3/4"	1.1/16-12	7/8-14	46.5	42	27	27	0,297
5190-12	20	3/4"	1.1/16-12	1.1/16-12	50	42	27	36	0,301
5190-12-16	25	1"	1.5/16-12	1.1/16-12	51.5	46	33	36	0,418
5190-16	25	1"	1.5/16-12	1.5/16-12	53	46	33	41	0,426
5190-16-20	30-32	1.1/4"	1.5/8-12	1.5/16-12	55.5	52	41	41	0,65
5190-20	30-32	1.1/4"	1.5/8-12	1.5/8-12	58	52	41	50	0,674
5190-20-24	38	1.1/2"	1.7/8-12	1.5/8-12	60.5	59	50	50	0,92
5190-24	38	1.1/2"	1.7/8-12	1.7/8-12	63	59	50	55	0,917

5200



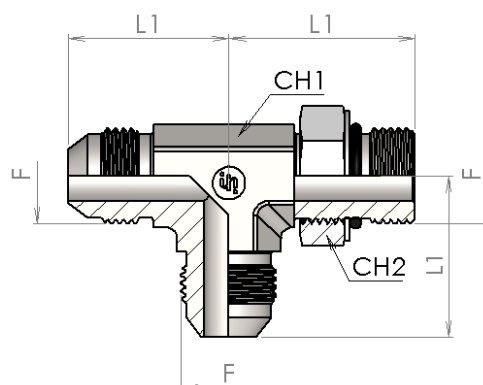
Curva Orientabile 45° M/M JIC-UNF (ISO 11926)

SDE45

Part number	Dimensions								Weight kg/unit
	Ø								
	tube mm	tube inch	F	F1	L	L1	CH1	CH2	
5200-04	6	1/4"	7/16-20	7/16-20	27	20	12	14	0,034
5200-05	8	5/16"	1/2-20	1/2-20	28	21	14	17	0,042
5200-06	10	3/8"	9/16-18	9/16-18	30	21.5	14	19	0,052
5200-08	12	1/2"	3/4-16	3/4-16	33.5	26	19	24	0,104
5200-10	16	5/8"	7/8-14	7/8-14	39	29	22	27	0,157
5200-12	20	3/4"	1.1/16-12	1.1/16-12	44	33	27	36	0,258
5200-16	25	1"	1.5/16-12	1.5/16-12	47	37.5	33	41	0,375
5200-20	30-32	1.1/4"	1.5/8-12	1.5/8-12	48.5	40.5	41	50	0,57

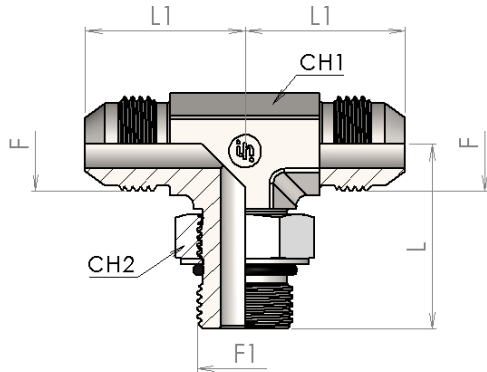
**Terminale a T orientabile
laterale M/M
JIC-UNF
(ISO 11926)**

SDRT



Part number	Dimensions								Weight kg/unit
	Ø		F	F1	L	L1	CH1	CH2	
	tube mm	tube inch							
5210-04	6	1/4"	7/16-20	7/16-20	27	22	12	14	0,046
5210-05	8	5/16"	1/2-20	1/2-20	30	24	14	17	0,066
5210-06	10	3/8"	9/16-18	9/16-18	33	27	14	19	0,076
5210-08	12	1/2"	3/4-16	3/4-16	37	32	19	24	0,15
5210-10	16	5/8"	7/8-14	7/8-14	43	36	22	27	0,224
5210-12	20	3/4"	1.1/16-12	1.1/16-12	50	42	27	36	0,367
5210-16	25	1"	1.5/16-12	1.5/16-12	53	46	33	41	0,506
5210-20	30-32	1.1/4"	1.5/8-12	1.5/8-12	58	52	41	50	1,053
5210-24	38	1.1/2"	1.7/8-12	1.7/8-12	63	59	50	55	1,296

5220



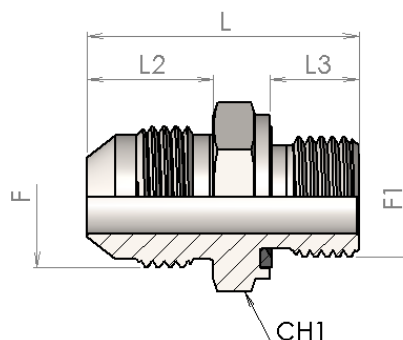
**Terminale a T orientabile
centrale M/M
JIC-UNF
(ISO 11926)**

SDBT

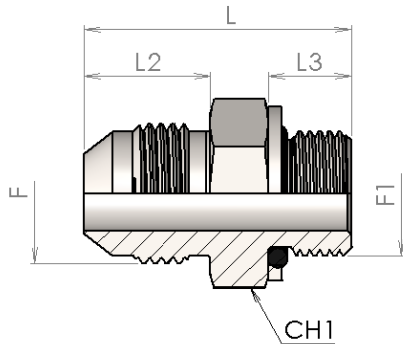
Part number	Dimensions								Weight kg/unit
	Ø								
	tube mm	tube inch	F	F1	L	L1	CH1	CH2	
5220-04	6	1/4"	7/16-20	7/16-20	27	22	12	14	0,046
5220-05	8	5/16"	1/2-20	1/2-20	30	24	14	17	0,066
5220-06	10	3/8"	9/16-18	9/16-18	33	27	14	19	0,076
5220-08	12	1/2"	3/4-16	3/4-16	37	32	19	22	0,15
5220-10	16	5/8"	7/8-14	7/8-14	43	36	22	27	0,224
5220-12	20	3/4"	1.1/16-12	1.1/16-12	50	42	27	36	0,367
5220-16	25	1"	1.5/16-12	1.5/16-12	53	46	33	41	0,506
5220-20	30-32	1.1/4"	1.5/8-12	1.5/8-12	58	52	41	50	1,053
5220-24	38	1.1/2"	1.7/8-12	1.7/8-12	63	59	50	55	1,296

Terminale dritto M/M JIC-BSP (Form E ISO 1179-2)

SDS



Part number	Dimensions								Weight kg/unit
	Ø		F	F1	L	L2	L3	CH1	
tube mm	tube inch								
5805-02-04	6	1/4"	7/16-20	G 1/8	30	14	8	14	0,02
5805-04-04	6	1/4"	7/16-20	G 1/4	36.5	14	12	19	0,034
5805-04-05	8	5/16"	1/2-20	G 1/4	35	14	12	19	0,03
5805-04-06	10	3/8"	9/16-18	G 1/4	35	14	12	19	0,028
5805-04-08	12	1/2"	3/4-16	G 1/4	39.5	17	12	22	0,04
5805-06-04	6	1/4"	7/16-20	G 3/8	36.5	14	12	22	0,047
5805-06-05	8	5/16"	1/2-20	G 3/8	36.5	14	12	22	0,047
5805-06-06	10	3/8"	9/16-18	G 3/8	36.5	14	12	22	0,04
5805-06-08	12	1/2"	3/4-16	G 3/8	38.5	17	12	22	0,05
5805-06-10	14-16	5/8"	7/8-14	G 3/8	42.5	19	12	24	0,065
5805-08-06	10	3/8"	9/16-18	G 1/2	39	14	14	27	0,095
5805-08-08	12	1/2"	3/4-16	G 1/2	43	17	14	27	0,1
5805-08-10	16	5/8"	7/8-14	G 1/2	44.5	19	14	27	0,103
5805-08-12	18-20	3/4"	1 1/16-12	G 1/2	49	22	14	30	0,118
5805-12-08	12	1/2"	3/4-16	G 3/4	47	17	16	32	0,1
5805-12-10	14-16	5/8"	7/8-14	G 3/4	49.5	19	16	32	0,16
5805-12-12	20	3/4"	1 1/16-12	G 3/4	51	22	16	32	0,165
5805-12-16	25	1"	1 5/16-12	G 3/4	53	23	16	36	0,217
5805-16-12	18-20	3/4"	1 1/16-12	G 1	55	22	18	41	0,292
5805-16-16	25	1"	1 5/16-12	G 1	55	23	18	41	0,262
5805-16-20	30-32	1.1/4"	1 5/8-12	G 1	58	24	18	46	0,255
5805-20-16	25	1"	1 5/16-12	G 1.1/4	59.5	23	20	50	0,386
5805-20-20	30-32	1.1/4"	1 5/8-12	G 1.1/4	60	24	20	50	0,375
5805-20-24	38	1.1/2"	1 7/8-12	G 1.1/4	66	27.5	20	50	0,42
5805-24-24	38	1.1/2"	1 7/8-12	G 1.1/2	67	27.5	22	55	0,48



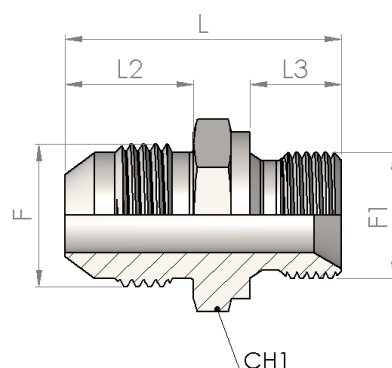
Terminale dritto M/M JIC-BSP (ISO 1179)

SDS

Part number	Dimensions								Weight kg/unit
	Ø		F	F1	L	L2	L3	CH1	
	tube mm	tube inch							
1915-02-04	6	1/4"	7/16-20	G 1/8	30	14	8	14	0,015
1915-02-05	8	5/16"	1/2-20	G 1/8	29	14	8	14	0,02
1915-04-04	6	1/4"	7/16-20	G 1/4	34.5	14	12	19	0,034
1915-04-05	8	5/16"	1/2-20	G 1/4	34	14	12	19	0,03
1915-04-06	10	3/8"	9/16-18	G 1/4	34	14	12	19	0,028
1915-04-08	12	1/2"	3/4-16	G 1/4	37.5	17	12	22	0,045
1915-06-04	6	1/4"	7/16-20	G 3/8	34.5	14	12	22	0,047
1915-06-05	8	5/16"	1/2-20	G 3/8	34.5	14	12	22	0,047
1915-06-06	10	3/8"	9/16-18	G 3/8	34.5	14	12	22	0,04
1915-06-08	12	1/2"	3/4-16	G 3/8	38	17	12	22	0,05
1915-06-10	14-16	5/8"	7/8-14	G 3/8	40	19	12	24	0,065
1915-08-06	10	3/8"	9/16-18	G 1/2	40	14	14	27	0,02
1915-08-08	12	1/2"	3/4-16	G 1/2	41	17	14	27	0,095
1915-08-10	16	5/8"	7/8-14	G 1/2	44	19	14	27	0,095
1915-08-12	18-20	3/4"	1 1/16-12	G 1/2	47	22	14	30	0,115
1915-12-08	12	1/2"	3/4-16	G 3/4	45	17	16	36	0,1
1915-12-10	14-16	5/8"	7/8-14	G 3/4	47	19	16	36	0,16
1915-12-12	20	3/4"	1 1/16-12	G 3/4	50	22	16	36	0,17
1915-12-16	25	1"	1 5/16-12	G 3/4	51	23	16	36	0,175
1915-16-12	18-20	3/4"	1 1/16-12	G 1	52.5	22	18	41	0,21
1915-16-16	25	1"	1 5/16-12	G 1	53.5	23	18	41	0,22
1915-16-20	30-32	1.1/4"	1 5/8-12	G 1	55.5	24	18	46	0,33
1915-20-16	25	1"	1 5/16-12	G 1.1/4	57	23	20	50	0,385
1915-20-20	30-32	1.1/4"	1 5/8-12	G 1.1/4	58	24	20	50	0,33
1915-24-24	38	1.1/2"	1 7/8-12	G 1.1/2	65.5	27.5	22	55	0,48

Terminale dritto M/M JIC-BSP

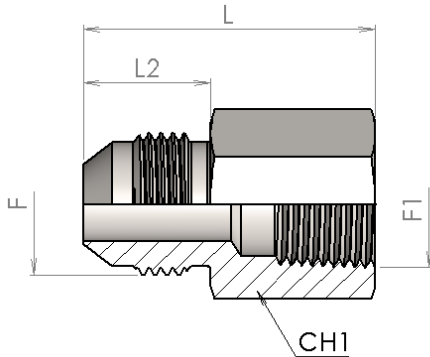
SDS



Part number	Dimensions								Weight kg/unit
	Ø		F	F1	L	L2	L3	CH1	
	tube mm	tube inch							
1905-02-04	6	1/4"	7/16-20	G 1/8-28	28.5	14	8	14	0,014
1905-04-04	6	1/4"	7/16-20	G 1/4	33	14	11	19	0,03
1905-04-05	8	5/16"	1/2-20	G 1/4	33	14	11	19	0,03
1905-04-06	10	3/8"	9/16-18	G 1/4	33	14	11	19	0,03
1905-04-08	12	1/2"	3/4-16	G 1/4	38	17	12	22	0,062
1905-06-04	6	1/4"	7/16-20	G 3/8	35.5	14	12	22	0,047
1905-06-05	8	5/16"	1/2-20	G 3/8	35.5	14	12	22	0,047
1905-06-06	10	3/8"	9/16-18	G 3/8	35.5	14	12	22	0,047
1905-06-08	12	1/2"	3/4-16	G 3/8	38	17	12	22	0,062
1905-06-10	16	5/8"	7/8-14	G 3/8	42	19	12	24	0,068
1905-08-06	10	3/8"	9/16-18	G 1/2	39	14	14	27	0,068
1905-08-08	12	1/2"	3/4-16	G 1/2	41.5	17	14	27	0,079
1905-08-10	16	5/8"	7/8-14	G 1/2	44.5	19	14	27	0,085
1905-08-12	20	3/4"	1 1/16-12	G 1/2	47	22	14	27	0,12
1905-12-08	12	1/2"	3/4-16	G 3/4	43.5	17	16	32	0,145
1905-12-10	16	5/8"	7/8-14	G 3/4	46.5	19	16	32	0,155
1905-12-12	20	3/4"	1 1/16-12	G 3/4	49	22	16	32	0,162
1905-12-16	25	1"	1 5/16-12	G 3/4	52	23	16	36	0,175
1905-16-12	20	3/4"	1 1/16-12	G 1	52	22	19	41	0,21
1905-16-16	25	1"	1 5/16-12	G 1	54	23	19	41	0,215
1905-16-20	30	0	1 5/8-12	G 1	57	24	19	42	0,29
1905-20-20	30	0	1 5/8-12	G 1.1/4	58	24	20	50	0,435
1905-24-24	38	1.1/2"	1 7/8-12	G 1.1/2	62.5	27.5	22	55	0,61

Terminale dritto M/F fissa JIC-BSP

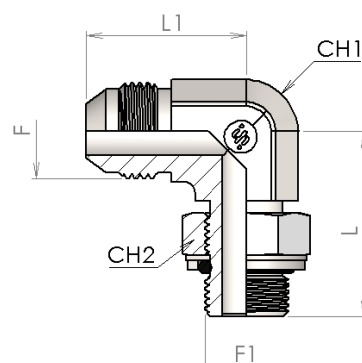
SWS



Part number	Dimensions							Weight kg/unit
	Ø		F	F1	L	L2	CH1	
	tube mm	tube inch						
5185-02-04	6	1/4"	7/16-20	G 1/8	30	14	14	0,045
5185-02-05	8	5/16"	1/2-20	G 1/8	30	14	14	0,04
5185-04-04	6	1/4"	7/16-20	G 1/4	35.5	14	19	0,045
5185-04-05	8	5/16"	1/2-20	G 1/4	35.5	14	19	0,045
5185-04-06	10	3/8"	9/16-18	G 1/4	35.5	14	19	0,04
5185-04-08	12	1/2"	3/4-16	G 1/4	38.5	17	22	0,04
5185-06-06	10	3/8"	9/16-18	G 3/8	36.5	14	22	0,065
5185-06-08	12	1/2"	3/4-16	G 3/8	39.5	17	22	0,045
5185-08-06	10	3/8"	9/16-18	G 1/2	43	14	30	0,105
5185-08-08	12	1/2"	3/4-16	G 1/2	45.5	17	30	0,1
5185-08-10	14-16	5/8"	7/8-14	G 1/2	48	19.5	30	0,125
5185-08-12	18-20	3/4"	1.1/16-12	G 1/2	52	22	30	0,125
5185-12-12	18-20	3/4"	1.1/16-12	G 3/4	52.5	22	36	0,19
5185-16-16	25	1"	1.5/16-12	G 1	59.5	23	41	0,28
5185-20-20	30-32	1.1/4"	1.5/8-12	G 1.1/4	63	24.5	50	0,41
5185-24-24	38	1.1/2"	1.7/8-12	G 1.1/2	66.5	27.5	60	0,37

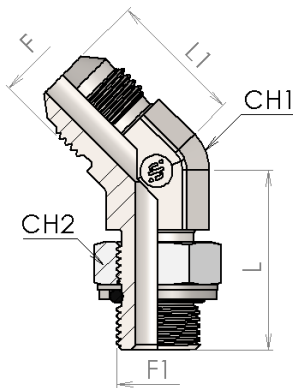
Curva Orientabile 90° M/M JIC-BSP (ISO 1179)

SDE



Part number	Dimensions								Weight kg/unit
	Ø		F	F1	L	L1	CH1	CH2	
	tube mm	tube inch							
5230-02-04	6	1/4"	7/16-20	G 1/8	27	22	12	14	0,037
5230-02-05	8	5/16"	1/2-20	G 1/8	30	24	14	14	0,047
5230-04-04	6	1/4"	7/16-20	G 1/4	33	23	14	19	0,043
5230-04-05	8	5/16"	1/2-20	G 1/4	33	24	14	19	0,055
5230-04-06	10	3/8"	9/16-18	G 1/4	33	27	14	19	0,061
5230-04-08	12	1/2"	3/4-16	G 1/4	35	32	19	19	0,088
5230-04-10	14-16	5/8"	7/8-14	G 1/4	37	36	22	19	0,095
5230-06-04	6	1/4"	7/16-20	G 3/8	37	27	19	22	0,05
5230-06-05	8	5/16"	1/2-20	G 3/8	37	28	19	22	0,057
5230-06-06	10	3/8"	9/16-18	G 3/8	37	29.5	19	22	0,087
5230-06-08	12	1/2"	3/4-16	G 3/8	37	32	19	22	0,092
5230-06-10	14-16	5/8"	7/8-14	G 3/8	40	36	22	22	0,19
5230-08-04	6	1/4"	7/16-20	G 1/2	43	29	22	27	0,127
5230-08-05	8	5/16"	1/2-20	G 1/2	43	30	22	27	0,135
5230-08-06	10	3/8"	9/16-18	G 1/2	43	31.5	22	27	0,14
5230-08-08	12	1/2"	3/4-16	G 1/2	43	34	22	27	0,155
5230-08-10	14-16	5/8"	7/8-14	G 1/2	43	36	22	27	0,164
5230-08-12	18-20	3/4"	1.1/16-12	G 1/2	46.5	42	27	27	0,245
5230-12-08	12	1/2"	3/4-16	G 3/4	50	37	27	36	0,205
5230-12-10	14-16	5/8"	7/8-14	G 3/4	50	39	27	36	0,217
5230-12-12	18-20	3/4"	1.1/16-12	G 3/4	50	42	27	36	0,295
5230-12-16	25	1"	1.5/16-12	G 3/4	51.5	46	33	36	0,405
5230-16-12	18-20	3/4"	1.1/16-12	G 1	53	44	33	41	0,317
5230-16-16	25	1"	1.5/16-12	G 1	53	46	33	41	0,425
5230-16-20	30-32	1.1/4"	1.5/8-12	G 1	55.5	52	41	41	0,65
5230-20-16	25	1"	1.5/16-12	G 1.1/4-11	58	49	41	50	0,672
5230-20-20	30-32	1.1/4"	1.5/8-12	G 1.1/4-11	58	52	41	50	0,697
5230-24-24	38	1.1/2"	1.7/8-12	G 1.1/2-11	63	59	50	55	0,953
5230-20-24	38	1.1/2"	1.7/8-12	G 1.1/4-11	63	55.5	50	50	0,964

5235



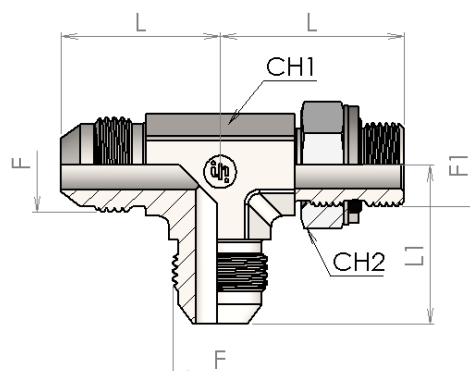
Curva Orientabile 45° M/M JIC-BSP (ISO 1179)

SDE45

Part number	Dimensions								Weight kg/unit
	Ø		F	F1	L	L1	CH1	CH2	
	tube mm	tube inch							
5235-02-04	6	1/4"	7/16-20	G 1/8	27	21	12	14	0,035
5235-02-05	8	5/16"	1/2-20	G 1/8	28.5	21.5	14	14	0,044
5235-04-04	6	1/4"	7/16-20	G 1/4	30	21.5	14	19	0,048
5235-04-05	8	5/16"	1/2-20	G 1/4	30	21.5	14	19	0,051
5235-04-06	10	3/8"	9/16-18	G 1/4	30	21.5	14	19	0,055
5235-06-04	6	1/4"	7/16-20	G 3/8	33.5	23.5	19	22	0,063
5235-06-05	8	5/16"	1/2-20	G 3/8	33.5	23	19	22	0,066
5235-06-06	10	3/8"	9/16-18	G 3/8	33.5	22	19	22	0,07
5235-06-08	12	1/2"	3/4-16	G 3/8	33.5	26	19	22	0,104
5235-08-06	10	3/8"	9/16-18	G 1/2	39	25.5	22	27	0,092
5235-08-08	12	1/2"	3/4-16	G 1/2	39	27.5	22	27	0,148
5235-08-10	14-16	5/8"	7/8-14	G 1/2	39	29	22	27	0,165
5235-08-12	18-20	3/4"	1.1/16-12	G 1/2	41.5	33	27	27	0,182
5235-12-08	12	1/2"	3/4-16	G 3/4	44	29.5	27	36	0,218
5235-12-10	14-16	5/8"	7/8-14	G 3/4	44	31	27	36	0,235
5235-12-12	18-20	3/4"	1.1/16-12	G 3/4	44	33	27	36	0,27
5235-12-16	25	1"	1.5/16-12	G 3/4	45.5	37.5	33	36	0,31
5235-16-16	25	1"	1.5/16-12	G 1	47	37.5	33	41	0,394
5235-20-20	30-32	1.1/4"	1.5/8-12	G 1.1/4	48.5	40.5	41	50	0,599

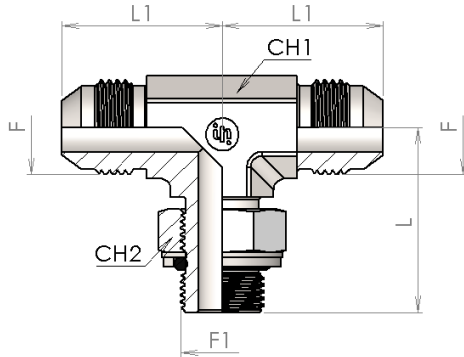
Terminale a T orientabile laterale M/M JIC-BSP (ISO 1179)

SDRT



Part number	Dimensions								Weight kg/unit
	Ø		F	F1	L	L1	CH1	CH2	
	tube mm	tube inch							
5240-02-04	6	1/4"	7/16-20	G 1/8	27	22	12	14	0,047
5240-02-05	8	5/16"	1/2-20	G 1/8	30	24	14	14	0,061
5240-04-04	6	1/4"	7/16-20	G 1/4	33	23	14	19	0,06
5240-04-05	8	5/16"	1/2-20	G 1/4	33	24	14	19	0,072
5240-04-06	10	3/8"	9/16-18	G 1/4	33	27	14	19	0,078
5240-06-04	8	5/16"	7/16-20	G 3/8	37	27	19	22	0,1
5240-06-06	10	3/8"	9/16-18	G 3/8	37	29.5	19	22	0,148
5240-06-08	12	1/2"	3/4-16	G 3/8	37	32	19	22	0,154
5240-06-10	14-16	5/8"	7/8-14	G 3/8	40	36	22	22	0,24
5240-08-06	10	3/8"	9/16-18	G 1/2	43	31.5	22	27	0,148
5240-08-08	12	1/2"	3/4-16	G 1/2	43	34	22	27	0,223
5240-08-10	14-16	5/8"	7/8-14	G 1/2	43	36	22	27	0,231
5240-08-12	18-20	3/4"	1.1/16-12	G 1/2	46.5	42	27	27	0,314
5240-12-08	12	1/2"	3/4-16	G 3/4	50	37	27	36	0,289
5240-12-10	14-16	5/8"	7/8-14	G 3/4	50	39	27	36	0,301
5240-12-12	18-20	3/4"	1.1/16-12	G 3/4	50	42	27	36	0,379
5240-12-16	25	1"	1.5/16-12	G 3/4	51.5	46	33	36	0,489
5240-16-12	18-20	3/4"	1.1/16-12	G 1	53	44	33	41	0,461
5240-16-16	25	1"	1.5/16-12	G 1	53	46	33	41	0,569
5240-20-20	30-32	1.1/4"	1.5/8-12	G 1.1/4-11	58	52	41	50	1,075
5240-24-24	38	1.1/2"	1.7/8-12	G 1.1/2-11	63	59	50	55	1,3

5250



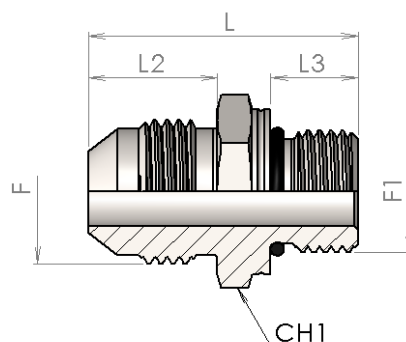
Terminale a T orientabile centrale M/M JIC-BSP (ISO 1179)

SDBT

Part number	Dimensions								Weight kg/unit
	Ø		F		L		CH		
	tube mm	tube inch	F	F1	L	L1	CH1	CH2	
5250-02-04	6	1/4"	7/16-20	G 1/8	27	22	12	14	0,047
5250-02-05	8	5/16"	1/2-20	G 1/8	30	24	14	14	0,061
5250-04-04	6	1/4"	7/16-20	G 1/4	33	23	14	19	0,06
5250-04-05	8	5/16"	1/2-20	G 1/4	33	24	14	19	0,072
5250-04-06	10	3/8"	9/16-18	G 1/4	33	27	14	19	0,078
5250-06-04	8	5/16"	7/16-20	G 3/8	37	27	19	22	0,1
5250-06-06	10	3/8"	9/16-18	G 3/8	37	29,5	19	22	0,148
5250-06-08	12	1/2"	3/4-16	G 3/8	37	32	19	22	0,154
5250-06-10	14-16	5/8"	7/8-14	G 3/8	40	36	22	22	0,24
5250-08-06	10	3/8"	9/16-18	G 1/2	43	31,5	22	27	0,148
5250-08-08	12	1/2"	3/4-16	G 1/2	43	34	22	27	0,223
5250-08-10	14-16	5/8"	7/8-14	G 1/2	43	36	22	27	0,231
5250-08-12	18-20	3/4"	1.1/16-12	G 1/2	46,5	42	27	27	0,314
5250-12-08	12	1/2"	3/4-16	G 3/4	50	37	27	36	0,289
5250-12-10	14-16	5/8"	7/8-14	G 3/4	50	39	27	36	0,301
5250-12-12	18-20	3/4"	1.1/16-12	G 3/4	50	42	27	36	0,379
5250-12-16	25	1"	1.5/16-12	G 3/4	51,5	46	33	36	0,489
5250-16-12	18-20	3/4"	1.1/16-12	G 1	53	44	33	41	0,461
5250-16-16	25	1"	1.5/16-12	G 1	53	46	33	41	0,569
5250-20-20	30-32	1.1/4"	1.5/8-12	G 1.1/4-11	58	52	41	50	1,075
5250-24-24	38	1.1/2"	1.7/8-12	G 1.1/2-11	63	59	50	55	1,3

Terminale dritto M/M JIC-METRICO (ISO 6149)

SDS

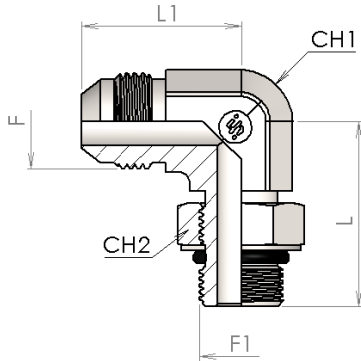


Part number	Dimensions								Weight kg/unit
	Ø		F	F1	L	L2	L3	CH1	
	tube mm	tube inch							
1910-10-04	6	1/4"	7/16-20	M10x1	30	14	8.5	14	0,025
1910-10-05	8	5/16"	1/2-20	M10x1	30	14	8.5	14	0,03
1910-12-04	6	1/4"	7/16-20	M12x1,5	33	14	11	17	0,033
1910-12-05	8	5/16"	1/2-20	M12x1,5	32.5	14	11	17	0,037
1910-14-06	10	3/8"	9/16-18	M14x1,5	33.5	14	11	19	0,045
1910-16-06	10	3/8"	9/16-18	M16x1,5	35	14	11.5	22	0,055
1910-16-08	12	1/2"	3/4-16	M16x1,5	38	17	11.5	22	0,058
1910-18-08	12	1/2"	3/4-16	M18x1,5	39.5	17	12.5	24	0,075
1910-18-10	14-16	5/8"	7/8-14	M18x1,5	42	19	12.5	24	0,075
1910-22-10	14-16	5/8"	7/8-14	M22x1,5	43	19	13	27	0,1
1910-22-12	18-20	3/4"	1 1/16-12	M22x1,5	48	22	13	27	0,105
1910-27-12	18-20	3/4"	1 1/16-12	M27x2	49	22	16	32	0,16
1910-27-16	25	1"	1 5/16-12	M27x2	50.5	23	16	36	0,21
1910-33-16	25	1"	1 5/16-12	M33x2	51	23	16	41	0,275
1910-42-20	30-32	1.1/4"	1 5/8-12	M42x2	54.5	24	16	50	0,435
1910-48-24	38	1.1/2"	1 7/8-12	M48x2	59	27.5	17.5	55	0,57

5430

Curva Orientabile 90° M/M JIC-METRICO (ISO 6149)

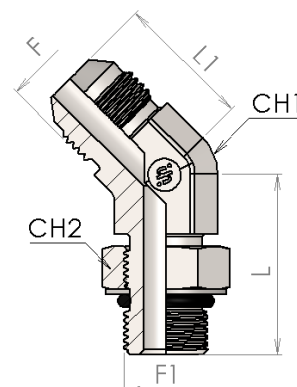
SDE



Part number	Dimensions								Weight kg/unit
	Ø		F	F1	L	L1	CH1	CH2	
	tube mm	tube inch							
5430-10-04	6	1/4"	7/16-20	M10x1	29	22	12	14	0,023
5430-12-04	6	1/4"	7/16-20	M12x1.5	33	23	14	17	0,028
5430-14-06	10	3/8"	9/16-18	M14x1.5	34	27	14	19	0,036
5430-16-06	10	3/8"	9/16-18	M16x1.5	38	29.5	19	22	0,074
5430-16-08	12	1/2"	3/4-16	M16x1.5	38	32	19	22	0,077
5430-18-08	12	1/2"	3/4-16	M18x1.5	41	32	19	24	0,078
5430-22-10	16	5/8"	7/8-14	M22x1.5	43	36	22	27	0,119
5430-27-12	20	3/4"	1.1/16-12	M27x2	52	42	27	32	0,208
5430-33-16	25	1"	1.5/16-12	M33x2	54	46	33	41	0,333
5430-42-20	30	1.1/4"	1.5/8-12	M42x2	60	52	41	50	0,575

Curva Orientabile 45° M/M JIC-METRICO (ISO 6149)

SDE45

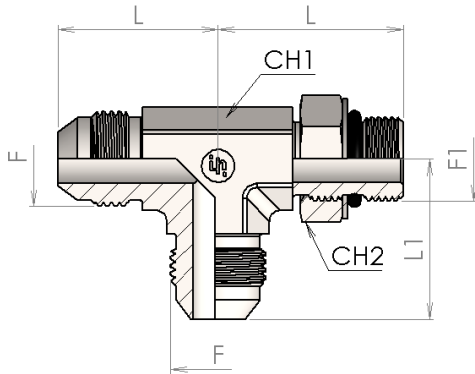


Part number	Dimensions								Weight kg/unit
	Ø		F	F1	L	L1	CH1	CH2	
	tube mm	tube inch							
5440-10-04	6	1/4"	7/16-20	M10x1	27	21	12	14	0,017
5440-12-04	6	1/4"	7/16-20	M12x1.5	30	21.5	14	17	0,025
5440-14-06	10	3/8"	9/16-18	M14x1.5	32	21.5	14	19	0,031
5440-16-06	10	3/8"	9/16-18	M16x1.5	34	23.5	19	22	0,058
5440-16-08	12	1/2"	3/4-16	M16x1.5	34	26	19	22	0,065
5440-18-08	12	1/2"	3/4-16	M18x1.5	36	26	19	24	0,066
5440-22-10	16	5/8"	7/8-14	M22x1.5	38	29	22	27	0,099
5440-27-12	20	3/4"	1.1/16-12	M27x2	45	33	27	32	0,173
5440-33-16	25	1"	1.5/16-12	M33x2	48	37.5	33	41	0,287
5440-42-20	30	1.1/4"	1.5/8-12	M42x2	48.5	40.5	41	50	0,482

5450

Terminale a T orientabile laterale M/M JIC-METRICO (ISO 6149)

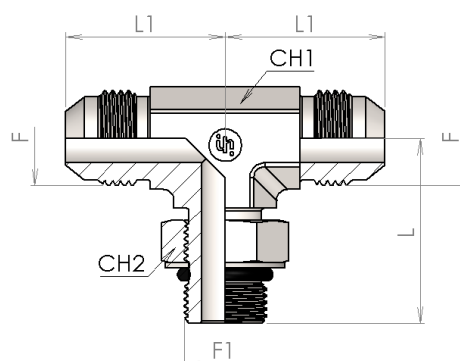
SDRT



Part number	Dimensions								Weight kg/unit
	Ø		F	F1	L	L1	CH1	CH2	
tube mm	tube inch								
5450-10-04	6	1/4"	7/16-20	M10x1	29	22	12	14	0,027
5450-12-04	6	1/4"	7/16-20	M12x1.5	33	23	14	17	0,041
5450-14-06	10	3/8"	9/16-18	M14x1.5	34	27	14	19	0,053
5450-16-06	10	3/8"	9/16-18	M16x1.5	38	29.5	19	22	0,092
5450-16-08	12	1/2"	3/4-16	M16x1.5	38	32	19	22	0,095
5450-18-08	12	1/2"	3/4-16	M18x1.5	41	32	19	24	0,114
5450-22-10	16	5/8"	7/8-14	M22x1.5	43	36	22	27	0,175
5450-27-12	20	3/4"	1.1/16-12	M27x2	52	42	27	32	0,304
5450-33-16	25	1"	1.5/16-12	M33x2	54	46	33	41	0,491
5450-42-20	30	1.1/4"	1.5/8-12	M42x2	60	52	41	50	0,772
5450-48-24	38	1.1/2"	1.7/8-12	M48x2	67	59	50	55	1,069

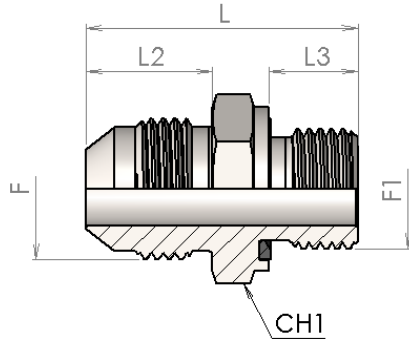
**Terminale a T orientabile
centrale M/M
JIC-METRICO
(ISO 6149)**

SDBT



Part number	Dimensions								Weight kg/unit
	Ø		F	F1	L	L1	CH1	CH2	
tube mm	tube inch								
5455-10-04	6	1/4"	7/16-20	M10x1	29	22	12	14	0,027
5455-12-04	6	1/4"	7/16-20	M12x1.5	33	23	14	17	0,041
5455-14-06	10	3/8"	9/16-18	M14x1.5	34	27	14	19	0,053
5455-16-06	10	3/8"	9/16-18	M16x1.5	38	29.5	19	22	0,092
5455-16-08	12	1/2"	3/4-16	M16x1.5	38	32	19	22	0,095
5455-18-08	12	1/2"	3/4-16	M18x1.5	41	32	19	24	0,114
5455-22-10	16	5/8"	7/8-14	M22x1.5	43	36	22	27	0,175
5455-27-12	20	3/4"	1.1/16-12	M27x2	52	42	27	32	0,304
5455-33-16	25	1"	1.5/16-12	M33x2	54	46	33	41	0,491
5455-42-20	30	1.1/4"	1.5/8-12	M42x2	60	52	41	50	0,772
5455-48-24	38	1.1/2"	1.7/8-12	M48x2	67	59	50	55	1,069

1775



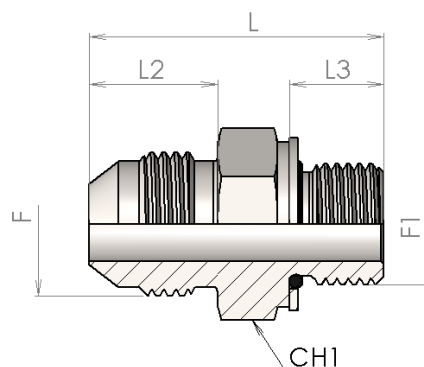
**Terminale dritto M/M
JIC-METRICO
(Form E ISO 9974-2)**

SDS

Part number	Dimensions								Weight kg/unit
	Ø		F	F1	L	L2	L3	CH1	
	tube mm	tube inch							
1775-10-04	6	1/4"	7/16-20	M10x1	30	14	8	14	0,02
1775-10-05	8	5/16"	1/2-20	M10x1	30	14	8	14	0,017
1775-12-04	6	1/4"	7/16-20	M12x1,5	34	14	12	17	0,03
1775-12-05	8	5/16"	1/2-20	M12x1,5	34	14	12	17	0,028
1775-14-06	10	3/8"	9/16-18	M14x1,5	34	14	12	19	0,037
1775-16-06	10	3/8"	9/16-18	M16x1,5	36	14	12	22	0,05
1775-16-08	12	1/2"	3/4-16	M16x1,5	39	17	12	22	0,055
1775-18-08	12	1/2"	3/4-16	M18x1,5	39	17	12	24	0,07
1775-18-10	14-16	5/8"	7/8-14	M18x1,5	42	19	12	24	0,105
1775-22-10	14-16	5/8"	7/8-14	M22x1,5	45	19	14	27	0,16
1775-22-12	18-20	3/4"	1 1/16-12	M22x1,5	48	22	14	27	0,27
1775-27-12	18-20	3/4"	1 1/16-12	M27x2	51	22	16	32	0,43
1775-27-16	25	1"	1 5/16-12	M27x2	53	23	16	36	0,36
1775-33-16	25	1"	1 5/16-12	M33x2	55	23	18	41	0,43
1775-42-20	30-32	1.1/4"	1 5/8-12	M42x2	60	24	20	50	0,435
1775-48-24	38	1.1/2"	1 7/8-12	M48x2	67	27.5	22	55	0,58

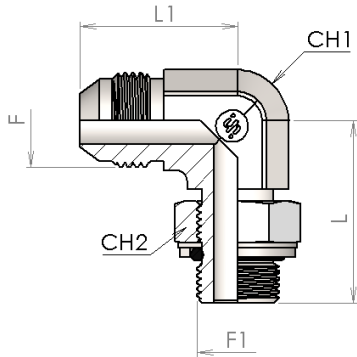
Terminale dritto M/M JIC-METRICO con o-ring ed anello

SDS



Part number	Dimensions								Weight kg/unit
	Ø		F	F1	L	L2	L3	CH1	
	tube mm	tube inch							
1777-10-04	6	1/4"	7/16-20	M10x1	30	14	9	14	0,025
1777-10-05	8	5/16"	1/2-20	M10x1	30	14	9	14	0,025
1777-12-04	6	1/4"	7/16-20	M12x1,5	32.5	14	11.5	17	0,035
1777-12-05	8	5/16"	1/2-20	M12x1,5	32.5	14	11.5	17	0,035
1777-14-06	10	3/8"	9/16-18	M14x1,5	33.5	14	11.5	19	0,035
1777-16-06	10	3/8"	9/16-18	M16x1,5	34.5	14	12.5	22	0,05
1777-16-08	12	1/2"	3/4-16	M16x1,5	37.5	17	12.5	22	0,055
1777-18-08	12	1/2"	3/4-16	M18x1,5	39.5	17	13.5	24	0,065
1777-18-10	14-16	5/8"	7/8-14	M18x1,5	42	19	13.5	24	0,07
1777-22-10	14-16	5/8"	7/8-14	M22x1,5	44.5	19	15	27	0,09
1777-22-12	18-20	3/4"	1 1/16-12	M22x1,5	48	22	15	27	0,1
1777-27-12	18-20	3/4"	1 1/16-12	M27x2	52.5	22	18.5	32	0,155
1777-27-16	25	1"	1 5/16-12	M27x2	53.5	23	18.5	36	0,2
1777-33-16	25	1"	1 5/16-12	M33x2	54	23	18.5	41	0,265
1777-42-20	30-32	1.1/4"	1 5/8-12	M42x2	58	24	19.5	50	0,425
1777-48-24	38	1.1/2"	1 7/8-12	M48x2	65	27.5	21.5	55	0,545

5400



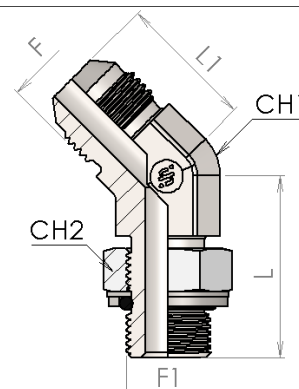
Curva Orientabile 90° M/M JIC-METRICO con o-ring ed anello

SDE

Part number	Dimensions								Weight kg/unit
	Ø		F	F1	L	L1	CH1	CH2	
	tube mm	tube inch							
5400-10-04	6	1/4"	7/16-20	M10x1	29	22	12	14	0,023
5400-10-05	8	5/16"	1/2-20	M10x1	31	24	14	14	0,029
5400-12-04	6	1/4"	7/16-20	M12x1.5	33	23	14	17	0,028
5400-12-05	8	5/16"	1/2-20	M12x1.5	33	24	14	17	0,029
5400-14-04	6	1/4"	7/16-20	M14x1.5	34	23	14	19	0,025
5400-14-05	8	5/16"	1/2-20	M14x1.5	34	24	14	19	0,03
5400-14-06	10	3/8"	9/16-18	M14x1.5	34	27	14	19	0,036
5400-16-06	10	3/8"	9/16-18	M16x1.5	38	29.5	19	22	0,074
5400-16-08	12	1/2"	3/4-16	M16x1.5	38	32	19	22	0,077
5400-18-08	12	1/2"	3/4-16	M18x1.5	41	32	19	24	0,078
5400-18-10	16	5/8"	7/8-14	M18x1.5	42	36	22	24	0,104
5400-22-10	16	5/8"	7/8-14	M22x1.5	43	36	22	27	0,119
5400-22-12	20	3/4"	1.1/16-12	M22x1.5	47.5	42	27	27	0,198
5400-27-12	20	3/4"	1.1/16-12	M27x2	52	42	27	32	0,208
5400-27-16	25	1"	1.5/16-12	M27x2	53	46	33	32	0,333
5400-33-12	20	3/4"	1.1/16-12	M33x2	54	44	33	41	0,317
5400-33-16	25	1"	1.5/16-12	M33x2	54	46	33	41	0,333
5400-42-12	20	3/4"	1.1/16-12	M42x2	60	48	41	50	0,517
5400-42-16	25	1"	1.5/16-12	M42x2	60	46	41	50	0,546
5400-42-20	30	1.1/4"	1.5/8-12	M42x2	60	52	41	50	0,575
5400-48-20	30	1.1/4"	1.5/8-12	M48x2	67	55.5	50	55	0,725
5400-48-24	38	1.1/2"	1.7/8-12	M48x2	67	59	50	55	0,872

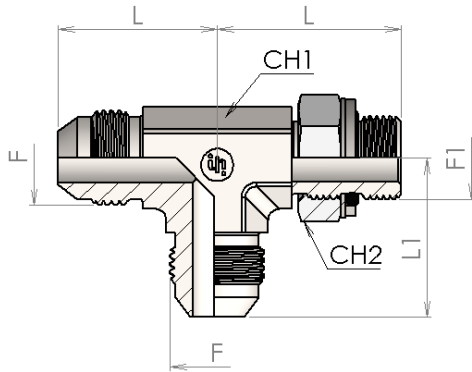
Curva Orientabile 45° M/M JIC-METRICO con o-ring e anello

SDE45



Part number	Dimensions								Weight kg/unit
	Ø		F	F1	L	L1	CH1	CH2	
	tube mm	tube inch							
5410-10-04	6	1/4"	7/16-20	M10x1	27	21	12	14	0,023
5410-10-05	8	5/16"	1/2-20	M10x1	28.5	21.5	14	14	0,031
5410-12-04	6	1/4"	7/16-20	M12x1.5	30	21.5	14	17	0,025
5410-12-05	8	5/16"	1/2-20	M12x1.5	30	21.5	14	17	0,028
5410-14-05	8	5/16"	1/2-20	M14x1.5	32	21.5	14	19	0,031
5410-14-06	10	3/8"	9/16-18	M14x1.5	32	21.5	14	19	0,036
5410-16-06	10	3/8"	9/16-18	M16x1.5	34	23.5	19	22	0,058
5410-16-08	12	1/2"	3/4-16	M16x1.5	34	26	19	22	0,068
5410-18-08	12	1/2"	3/4-16	M18x1.5	36	26	19	24	0,078
5410-18-10	16	5/8"	7/8-14	M18x1.5	37	29	22	24	0,099
5410-22-10	16	5/8"	7/8-14	M22x1.5	38	29	22	27	0,119
5410-22-12	20	3/4"	1.1/16-12	M22x1.5	41.5	33	27	27	0,164
5410-27-12	20	3/4"	1.1/16-12	M27x2	45	33	27	32	0,208
5410-27-16	25	1"	1.5/16-12	M27x2	46.5	37.5	33	32	0,272
5410-33-16	25	1"	1.5/16-12	M33x2	48	37.5	33	41	0,287
5410-42-20	30	1.1/4"	1.5/8-12	M42x2	48,5	40,5	41	50	0,575

5420



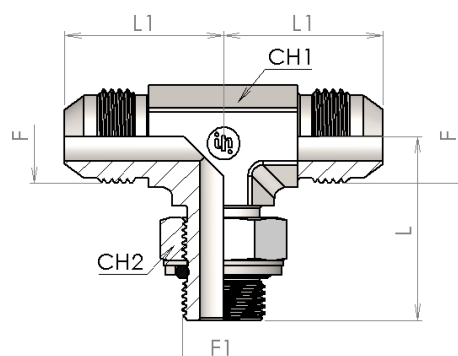
**Terminale a T orientabile
laterale M/M
JIC-METRICO
con o-ring ed anello**

SDRT

Part number	Dimensions								Weight kg/unit
	Ø		F	F1	L	L1	CH1	CH2	
	tube mm	tube inch							
5420-10-04	6	1/4"	7/16-20	M10x1	29	22	12	14	0,027
5420-10-05	8	5/16"	1/2-20	M10x1	31	24	14	14	0,033
5420-12-04	6	1/4"	7/16-20	M12x1.5	33	23	14	17	0,041
5420-12-05	8	5/16"	1/2-20	M12x1.5	33	24	14	17	0,042
5420-14-05	8	5/16"	1/2-20	M14x1.5	34	24	14	19	0,050
5420-14-06	10	3/8"	9/16-18	M14x1.5	34	27	14	19	0,053
5420-16-06	10	3/8"	9/16-18	M16x1.5	38	29.5	19	22	0,092
5420-16-08	12	1/2"	3/4-16	M16x1.5	38	32	19	22	0,113
5420-18-08	12	1/2"	3/4-16	M18x1.5	41	32	19	24	0,114
5420-18-10	16	5/8"	7/8-14	M18x1.5	42	36	22	24	0,174
5420-22-10	16	5/8"	7/8-14	M22x1.5	43	36	22	27	0,175
5420-22-12	20	3/4"	1.1/16-12	M22x1.5	47.5	42	27	27	0,295
5420-27-12	20	3/4"	1.1/16-12	M27x2	52	42	27	32	0,304
5420-27-16	25	1"	1.5/16-12	M27x2	53	46	33	32	0,490
5420-33-16	25	1"	1.5/16-12	M33x2	54	46	33	41	0,530
5420-42-20	30	1.1/4"	1.5/8-12	M42x2	60	52	41	50	0,772
5420-48-24	38	1.1/2"	1.7/8-12	M48x2	67	59	50	55	1,069

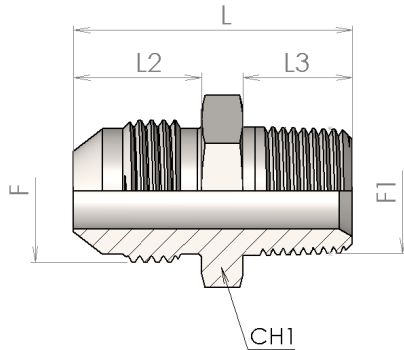
**Terminale a T orientabile
centrale M/M
JIC-METRICO
con o-ring ed anello**

SDBT

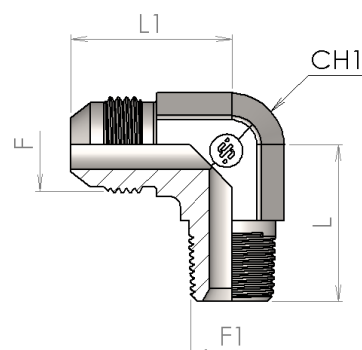


Part number	Dimensions								Weight kg/unit
	Ø		F	F1	L	L1	CH1	CH2	
	tube mm	tube inch							
5425-10-04	6	1/4"	7/16-20	M10x1	29	22	12	14	0,027
5425-10-05	8	5/16"	1/2-20	M10x1	31	24	14	14	0,033
5425-12-04	6	1/4"	7/16-20	M12x1.5	33	23	14	17	0,041
5425-12-05	8	5/16"	1/2-20	M12x1.5	33	24	14	17	0,042
5425-14-05	8	5/16"	1/2-20	M14x1.5	34	24	14	19	0,050
5425-14-06	10	3/8"	9/16-18	M14x1.5	34	27	14	19	0,053
5425-16-06	10	3/8"	9/16-18	M16x1.5	38	29.5	19	22	0,092
5425-16-08	12	1/2"	3/4-16	M16x1.5	38	32	19	22	0,095
5425-18-08	12	1/2"	3/4-16	M18x1.5	41	32	19	24	0,114
5425-18-10	16	5/8"	7/8-14	M18x1.5	42	36	22	24	0,174
5425-22-10	16	5/8"	7/8-14	M22x1.5	43	36	22	27	0,175
5425-22-12	20	3/4"	1.1/16-12	M22x1.5	47.5	42	27	27	0,295
5425-27-12	20	3/4"	1.1/16-12	M27x2	52	42	27	32	0,304
5425-27-16	25	1"	1.5/16-12	M27x2	53	46	33	32	0,490
5425-33-16	25	1"	1.5/16-12	M33x2	54	46	33	41	0,530
5425-42-20	30	1.1/4"	1.5/8-12	M42x2	60	52	41	50	0,772
5425-48-24	38	1.1/2"	1.7/8-12	M48x2	67	59	50	55	1,069

Giunzione M/M Jic/Gas Conico

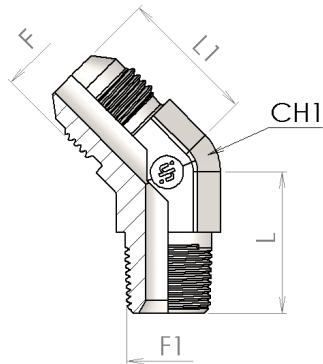


Part number	Dimensions								Weight kg/unit
	Ø		F	F1	L	L2	L3	CH1	
tube mm	tube inch								
1903-02-04	6	1/4"	7/16-20	1/8-28 BSPT	30	14	10	12	0,014
1903-02-05	8	5/16"	1/2-20	1/8-28 BSPT	31	14	10	14	0,017
1903-04-04	6	1/4"	7/16-20	1/4-19 BSPT	36	14	14.5	14	0,025
1903-04-05	8	5/16"	1/2-20	1/4-19 BSPT	36	14	14.5	14	0,025
1903-04-06	10	3/8"	9/16-18	1/4-19 BSPT	36	14	14.5	17	0,03
1903-06-06	10	3/8"	9/16-18	3/8-19 BSPT	36	14	14.5	19	0,027
1903-06-08	12	1/2"	3/4-16	3/8-19 BSPT	37.5	17	14.5	22	0,045
1903-06-10	14-16	5/8"	7/8-14	3/8-19 BSPT	43	19	14.5	24	0,063
1903-08-08	12	1/2"	3/4-16	1/2-14 BSPT	43.5	17	19	22	0,074
1903-08-10	14-16	5/8"	7/8-14	1/2-14 BSPT	48	19	19	24	0,077
1903-08-12	20	3/4"	1.1/16-12	1/2-14 BSPT	49	22	19	30	0,1
1903-12-10	14-16	5/8"	7/8-14	3/4-14 BSPT	49.5	19	19	27	0,12
1903-12-12	20	3/4"	1.1/16-12	3/4-14 BSPT	52.5	22	19	30	0,12
1903-12-16	25	1"	1.5/16-12	3/4-14 BSPT	53	23	19	36	0,15
1903-16-12	20	3/4"	1.1/16-12	1-11 BSPT	56	22	24	36	0,175
1903-16-16	25	1"	1.5/16-12	1-11 BSPT	58.5	23	24	36	0,19
1903-20-20	32	1.1/4"	1.5/8-12	1.1/4-11 BSPT	60.5	24	24.5	46	0,315
1903-24-24	38	1.1/2"	1.7/8-12	1.1/2-11 BSPT	66	27.5	25.5	50	0,43

**Terminale a 90° M/M
JIC-BSPT**
SDE


Part number	Dimensions							Weight kg/unit
	Ø		F	F1	L	L1	CH1	
	tube mm	tube inch						
5165-02-04	6	1/4"	7/16-20	1/8-28 BSPT	23	24	14	0,02
5165-02-05	8	5/16"	1/2-20	1/8-28 BSPT	23.5	24	14	0,029
5165-04-04	6	1/4"	7/16-20	1/4-19 BSPT	27.5	23	14	0,042
5165-04-05	8	5/16"	1/2-20	1/4-19 BSPT	27.5	24	14	0,042
5165-04-06	10	3/8"	9/16-18	1/4-19 BSPT	27.5	27	14	0,045
5165-06-06	10	3/8"	9/16-18	3/8-19 BSPT	32	29	19	0,076
5165-06-08	12	1/2"	3/4-16	3/8-19 BSPT	32	31	19	0,086
5165-08-06	10	3/8"	9/16-18	1/2-14 BSPT	36	31.5	22	0,117
5165-08-08	12	1/2"	3/4-16	1/2-14 BSPT	36	33.5	22	0,125
5165-08-10	14-16	5/8"	7/8-14	1/2-14 BSPT	36	36	22	0,129
5165-12-12	18-20	3/4"	1.1/16-12	3/4-14 BSPT	42.5	42	27	0,198
5165-16-16	25	1"	1.5/16-12	1-11 BSPT	50	46	33	0,328

5265



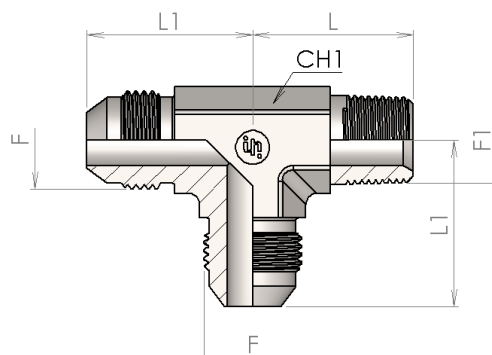
Terminale a 45° M/M JIC-BSPT

SDE45

Part number	Dimensions							Weight kg/unit
	Ø		F	F1	L	L1	CH1	
	tube mm	tube inch						
5265-02-04	6	1/4"	7/16-20	1/8-28 BSPT	16.5	18.5	12	0,02
5265-02-05	8	5/16"	1/2-20	1/8-28 BSPT	16.5	19.5	14	0,025
5265-04-04	6	1/4"	7/16-20	1/4-19 BSPT	22	21	14	0,03
5265-04-05	8	5/16"	1/2-20	1/4-19 BSPT	22	21	14	0,03
5265-04-06	10	3/8"	9/16-18	1/4-19 BSPT	22	21	14	0,027
5265-06-06	10	3/8"	9/16-18	3/8-19 BSPT	24	22	19	0,052
5265-06-08	12	1/2"	3/4-16	3/8-19 BSPT	24	25	19	0,06
5265-08-08	12	1/2"	3/4-16	1/2-14 BSPT	29.5	25	22	0,092
5265-08-10	14-16	5/8"	7/8-14	1/2-14 BSPT	29.5	28	22	0,092
5265-12-12	18-20	3/4"	1.1/16-12	3/4-14 BSPT	30.5	32.5	27	0,15
5265-16-16	25	1"	1.5/16-12	1-11 BSPT	37.5	37	33	0,24

Terminale a T laterale M/M JIC-BSPT

SDRT

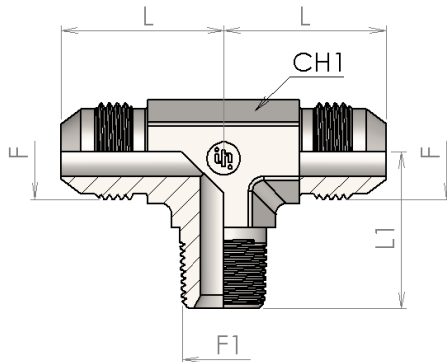


Part number	Dimensions							Weight kg/unit
	Ø		F	F1	L	L1	CH1	
	tube mm	tube inch						
5275-02-04	6	1/4"	7/16-20	1/8-28 BSPT	19.5	22	12	0,03
5275-02-05	8	5/16"	1/2-20	1/8-28 BSPT	23.5	24	14	0,039
5275-04-04	6	1/4"	7/16-20	1/4-19 BSPT	27.5	23	14	0,052
5275-04-05	8	5/16"	1/2-20	1/4-19 BSPT	27.5	24	14	0,053
5275-04-06	10	3/8"	9/16-18	1/4-19 BSPT	27.5	27	14	0,055
5275-04-08	12	1/2"	3/4-16	1/4-19 BSPT	29.5	31	19	0,066
5275-06-06	10	3/8"	9/16-18	3/8-19 BSPT	32	29	19	0,077
5275-06-08	12	1/2"	3/4-16	3/8-19 BSPT	32	31	19	0,111
5275-06-10	14-16	5/8"	7/8-14	3/8-19 BSPT	34	36	22	0,138
5275-08-08	12	1/2"	3/4-16	1/2-14 BSPT	36	33.5	22	0.163
5275-08-10	14-16	5/8"	7/8-14	1/2-14 BSPT	36	36	22	0,169
5275-08-12	18-20	3/4"	1.1/16-12	1/2-14 BSPT	39	42	27	0,211
5275-12-10	14-16	5/8"	7/8-14	3/4-14 BSPT	42.5	39	27	0,245
5275-12-12	18-20	3/4"	1.1/16-12	3/4-14 BSPT	42.5	42	27	0,267
5275-12-16	25	1"	1.5/16-12	3/4-14 BSPT	46	46	33	0,311
5275-16-12	18-20	3/4"	1.1/16-12	1-11 BSPT	50	44	33	0,36
5275-16-16	25	1"	1.5/16-12	1-11 BSPT	50	46	33	0,407
5275-16-20	30-32	1.1/4"	1.5/8-12	1-11 BSPT	55	52	41	0,522
5275-20-20	30-32	1.1/4"	1.5/8-12	1.1/4-11 BSPT	60.5	52	41	0,681
5275-24-24	38	1.1/2"	1.7/8-12	1.1/2-11 BSPT	67	59	50	0,905

5280

Terminale a T centrale M/M JIC-BSPT

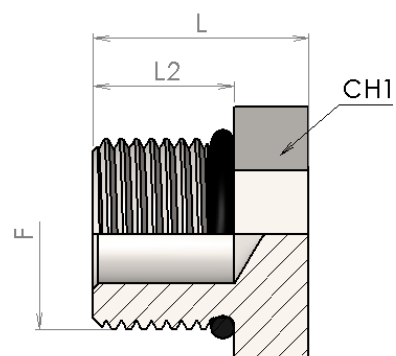
SDBT



Part number	Dimensions							Weight kg/unit
	Ø		F	F1	L	L1	CH1	
	tube mm	tube inch						
5280-02-04	6	1/4"	7/16-20	1/8-28 BSPT	19.5	22	12	0,03
5280-02-05	8	5/16"	1/2-20	1/8-28 BSPT	23.5	24	14	0,039
5280-04-04	6	1/4"	7/16-20	1/4-19 BSPT	27.5	23	14	0,052
5280-04-06	10	3/8"	9/16-18	1/4-19 BSPT	27.5	27	14	0,055
5280-06-06	10	3/8"	9/16-18	3/8-19 BSPT	32	29	19	0,077
5280-06-08	12	1/2"	3/4-16	3/8-19 BSPT	32	31	19	0,111
5280-08-08	12	1/2"	3/4-16	1/2-14 BSPT	36	33.5	22	0,163
5280-08-10	14-16	5/8"	7/8-14	1/2-14 BSPT	36	36	22	0,169
5280-12-12	18-20	3/4"	1.1/16-12	3/4-14 BSPT	42.5	42	27	0,267
5280-16-16	25	1"	1.5/16-12	1-11 BSPT	50	46	33	0,407

Tappo maschio SAE (ISO 11926-1)

PL

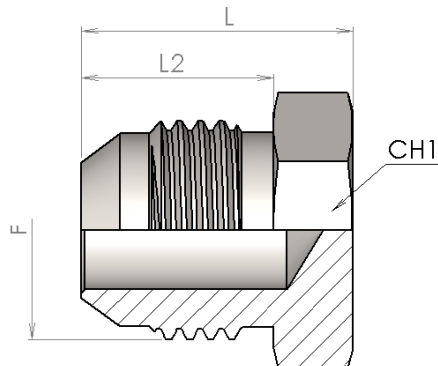


Part number	Dimensions				Weight kg/unit
	F	L	L2	CH1	
5040-04	7/16-20	17	9	14	0,015
5040-05	1/2-20	17	9	14	0,017
5040-06	9/16-18	18.5	10	17	0,025
5040-08	3/4-16	20.5	11	22	0,045
5040-10	7/8-14	23.5	13	27	0,075
5040-12	1 1/16-12	28	15	32	0,125
5040-16	1 5/16-12	28.5	15	38	0,175

J605

Tappo maschio JIC (ISO 8434-2)

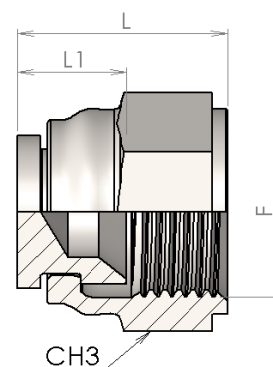
PL



Part number	Dimensions						Weight kg/unit
	Ø		F	L	L2	CH1	
	tube mm	tube inch					
J605-04	6	1/4"	7/16-20	20.5	14	12	0,01
J605-05	8	5/16"	1/2-20	20.5	14	14	0,014
J605-06	10	3/8"	9/16-18	21.5	14	17	0,02
J605-08	12	1/2"	3/4-16	24	17	22	0,04
J605-10	14-16	5/8"	7/8-14	28	19	24	0,06
J605-12	18-20	3/4"	1 1/16-12	32.5	22	30	0,095
J605-16	25	1"	1 5/16-12	34	23	36	0,1
J605-20	30-32	1.1/4"	1 5/8-12	37	24	46	0,27
J605-24	38	1.1/2"	1 7/8-12	42	27.5	50	0,36
J605-32	50	2"	2 1/2-12	55	34	65	0,47

Tappo femmina JIC (ISO 8434-2)

PL

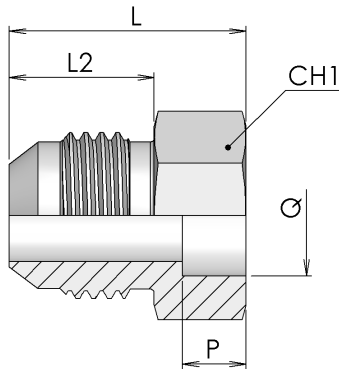


Part number	Dimensions						Weight kg/unit
	Ø		F	L	L1	CH3	
	tube mm	tube inch					
J608-04	6	1/4"	7/16-20	18.5	9.5	14	0,014
J608-05	8	5/16"	1/2-20	19.5	10	17	0,019
J608-06	10	3/8"	9/16-18	20.5	11.5	19	0,031
J608-08	12	1/2"	3/4-16	24	13.5	22	0,045
J608-10	16	5/8"	7/8-14	27.5	14.5	27	0,075
J608-12	20	3/4"	1 1/16-12	29.5	16	32	0,114
J608-16	32	1.1/4"	1 5/16-12	33	17	41	0,272
J608-20	38	1.1/2"	1 5/8-12	36.5	20.5	50	0,553
J608-24	50	2"	1 7/8-12	42	23	60	0,93

MJ

Terminale dritto maschio JIC a saldare con tasca (ISO 8434-2)

BRS



Part number	Dimensions								Weight kg/unit
	Ø		F	Q	P	L	L2	CH1	
	tube mm	tube inch							
MJ-05-10	8	5/16"	1/2-20	10	8.5	26	14	17	0,020
MJ-06-10	10	3/8"	9/16-18	10	8.5	27.5	14	19	0,034
MJ-06-12	10	3/8"	9/16-18	12	8.5	27.5	14	19	0,030
MJ-08-12	12	1/2"	3/4-16	12	8.5	29	17	22	0,047
MJ-10-16	14-16	5/8"	7/8-14	16	9	31.5	19	24	0,058
MJ-12-18	18-20	3/4"	1 1/16-12	18	12.5	40	22	30	0,118
MJ-12-20	18-20	3/4"	1 1/16-12	20	12.5	40	22	30	0,116
MJ-16-25	25	1"	1 5/16-12	25	14	42	23	36	0,161

Indice

5000	pag 6
5010	pag 7
1900	pag 8
5100	pag 9
5120	pag 10
5900	pag 11
5050	pag 12
5036	pag 13
5035	pag 14
5037	pag 15
5038	pag 16
5045	pag 17
5056	pag 18
5060	pag 19
5070	pag 20
5080	pag 21
5090	pag 22
5110	pag 23
5130	pag 24
J107	pag 25
1906	pag 26
5140	pag 27
5150	pag 28
5160	pag 29
5170	pag 30
5180	pag 31
1907	pag 32
5190	pag 33
5200	pag 34
5210	pag 35
5220	pag 36
5805	pag 37
1915	pag 38
1905	pag 39
5185	pag 40

Indice

5230	pag 41
5235	pag 42
5240	pag 43
5250	pag 44
1910	pag 45
5430	pag 46
5440	pag 47
5450	pag 48
5455	pag 49
1775	pag 50
1777	pag 51
5400	pag 52
5410	pag 53
5420	pag 54
5425	pag 55
1903	pag 56
5165	pag 57
5265	pag 58
5275	pag 59
5280	pag 60
5040	pag 61
J605	pag 62
J608	pag 63
MJ	pag 64



INTERPUMP

FLUID SOLUTIONS 

Powered by I.M.M. Hydraulics



I.M.M. Hydraulics Spa
interpumpfluidsolutions.com

Via Italia, 49-51
66041 - Atessa (Ch) - Italy
T. +39 (0) 0872 889225
F. +39 (0) 0872 889226



CAT-IFS-A