

ORFS

in

## Nut

**6010**



Nuts

6

## Sleeve

**6015**

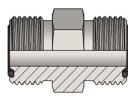


Metric Sleeve

7

## Union

**6000**



Male Union

8

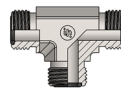
**6300**



90° Union Elbow

9

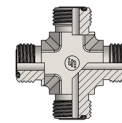
**6350**



Union Tee

10

**6550**

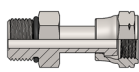


Union Cross

11

## Swivel

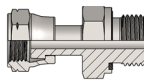
**6120**



Swivel female-male

12

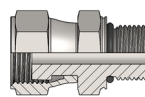
**6036**



Swivel female-male  
BSPP

13

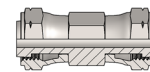
**6850**



Swivel female  
Male Metric

14

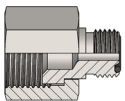
**6060**



Straight swivel  
nut union

15

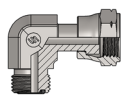
**6056**



Reducing  
male-female

16

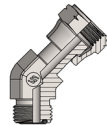
**6205**



90° Swivel Elbow

17

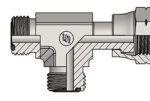
**6255**



45° Swivel Elbow

18

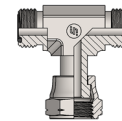
**6620**



Swivel Run Tee

19

**6630**

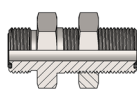


Swivel Branch Tee

20

## Bulkhead

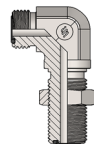
**6050**



Bulkhead union

21

**6510**



90° Bulkhead union

22

**0107**

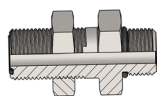


Bulkhead locknut

23

**ORFS/UNF**

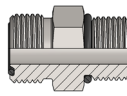
**6150**



Bulkhead unions

24

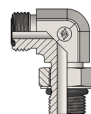
**6100**



Male stud connectors

25

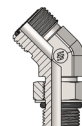
**6200**



90° Adjustable stud elbow

26

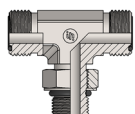
**6250**



45° Adjustable stud elbow

27

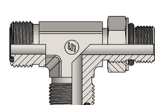
**6400**



Adjustable stud Branch Tee

28

**6450**

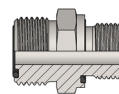


Adjustable stud Run Tee

29

**ORFS/BSPP**

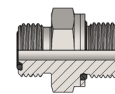
**6805**



Male stud connector Form E

30

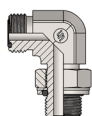
**6800**



Male stud connector

31

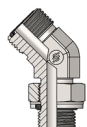
**6215**



90° Adjustable stud elbow

32

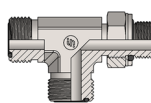
**6260**



45° Adjustable stud elbow

33

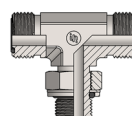
**6460**



Adjustable stud Run Tee

34

**6410**

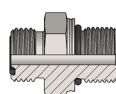


Adjustable stud Branch Tee

35

**ORFS/METRIC**

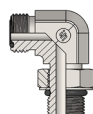
**6840**



Male stud connector

36

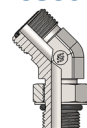
**6870**



90° Adjustable stud elbow

37

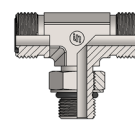
**6860**



45° Adjustable stud elbow

38

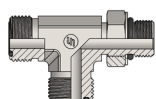
**6890**



Adjustable stud Branch Tee

39

**6880**



Adjustable stud Run Tee

40

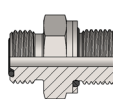
**6905**



Male stud connector

41

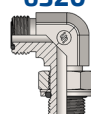
**6900**



Male stud connector with O-ring and retaining ring

42

**6320**



90° Adjustable stud elbow with O-ring and retaining ring

43

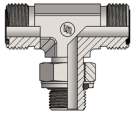
**6270**



45° Adjustable stud elbow with O-ring and retaining ring

44

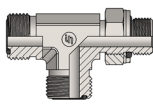
**6420**



Adjustable stud  
Branch Tee with O'ring  
and retaining ring

45

**6470**

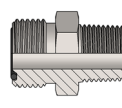


Adjustable stud  
Run Tee with O'ring  
and retaining ring

46



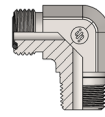
**6830**



Male stud connector

47

**6230**

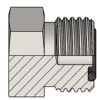


90° Male stud  
elbows

48



**6600**



Male plug

49

**6610**

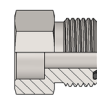


Famale plug

50



**M0**

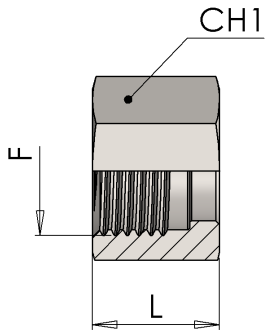


Braze-on straight  
connector

51



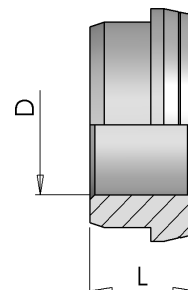




Part number	Dimensions					Weight kg/unit
	Ø		Thread	L	CH1	
	tube mm	tube inch	F			
6010-06	6	1/4"	9/16-18	15.0	17	0,014
6010-09	8-10	5/16"-3/8"	11/16-16	17.0	22	0,017
6010-11	12	1/2"	13/16-16	20.0	24	0,029
6010-13	14-16	5/8"	1-14	24.0	30	0,046
6010-14	18-20	3/4"	1.3/16-12	26.5	36	0,069
6010-15	22-25	1"	1.7/16-12	27.5	41	0,109
6010-21	28-32	1.1/4"	1.11/16-12	27.5	50	0,126
6010-32	35-38	1.1/2"	2-12	27.5	60	0,195

## Bussola per tubo metrico

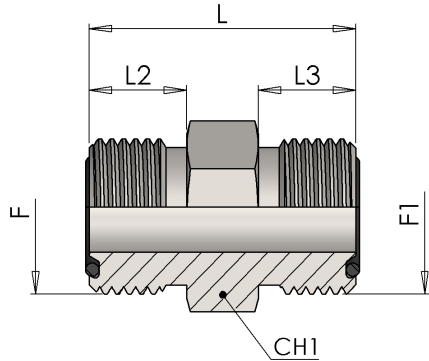
SL



Part number	Dimensions			Weight kg/unit
	∅ tube mm	D	L	
6015-06	06	06	8.5	0,004
6015-08	08	08	9.5	0,004
6015-10	10	10	9.5	0,005
6015-12	12	12	11.5	0,006
6015-14	14	14	11.5	0,01
6015-15	15	15	11.5	0,009
6015-16	16	16	11.5	0,008
6015-18	18	18	13.0	0,014
6015-20	20	20	13.0	0,015
6015-22	22	22	14.5	0,02
6015-25	25	25	14.5	0,023
6015-28	28	28	14.0	0,024
6015-30	30	30	14.0	0,025
6015-32	32	32	14.0	0,026
6015-35	35	35	13.5	0,036
6015-38	38	38	13.5	0,044

## Unione diretto maschio ORFS (ISO 8434-3)

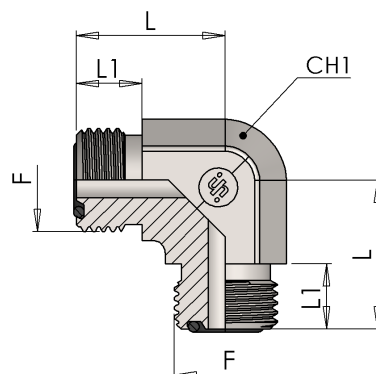
S



Part number	Dimensions								Weight kg/unit
	Ø		Thread						
	tube mm	tube inch	F	F1	L	L2	L3	CH1	
6000-06	6	1/4"	9/16-18	9/16-18	27.5	10	10	17	0,028
6000-09	8-10	5/16"-3/8"	11/16-16	11/16-16	31.0	11	11	19	0,049
6000-11	12	1/2"	13/16-16	13/16-16	35.5	13	13	22	0,077
6000-11-09	8-12	5/16"-1/2"	13/16-16	11/16-16	33.5	13	11	22	0,067
6000-13	14-16	5/8"	1-14	1-14	42.5	15.5	15.5	27	0,129
6000-13-11	12-16	5/8"-1/2"	1-14	13/16-16	40.0	15.5	13	27	0,112
6000-14	18-20	3/4"	1.3/16-12	1.3/16-12	47.0	17	17	32	0,204
6000-14-13	14-20	5/8"-3/4"	1.3/16-12	1-14	45.5	17	15.5	32	0,186
6000-15	22-25	1"	1.7/16-12	1.7/16-12	49.5	17.5	17.5	41	0,291
6000-15-14	18-25	3/4"-1"	1.7/16-12	1.3/16-12	49.0	17.5	17	41	0,285
6000-21	28-32	1.1/4"	1.11/16-12	1.11/16-12	51.5	17.5	17.5	46	0,299
6000-21-15	25-32	1.1/4"	1.11/16-12	1.7/16-12	51.5	17.5	17.5	46	0,28
6000-32	35-38	1.1/2"	2-12	2-12	53.0	17.5	17.5	55	0,552

## Unione a 90° maschio ORFS (ISO 8434-3)

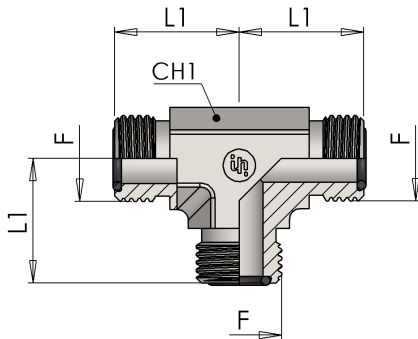
E



Part number	Dimensions						Weight kg/unit
	Ø		Thread				
	tube mm	tube inch	F	L	L1	CH1	
6300-06	6	1/4"	9/16-18	21.0	10	14	0,047
6300-09	8-10	5/16"-3/8"	11/16-16	25.0	11	19	0,109
6300-11	12	1/2"	13/16-16	28.0	13	19	0,123
6300-13	14-16	5/8"	1-14	33.5	15.5	27	0,183
6300-14	18-20	3/4"	1.3/16-12	37.5	17	27	0,18
6300-15	22-25	1"	1.7/16-12	41.5	17.5	36	0,45
6300-21	28-32	1.1/4"	1.11/16-12	44.5	17.5	41	0,53
6300-32	35-38	1.1/2"	2-12	49.0	17.5	50	0,7

## Unione a T maschio ORFS (ISO 8434-3)

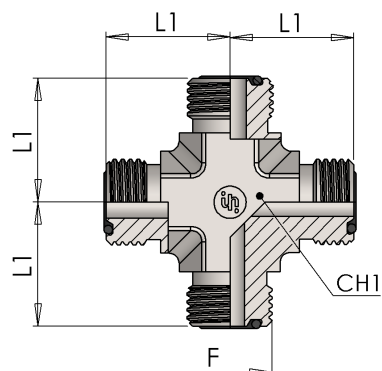
T



Part number	Dimensions					Weight kg/unit
	Ø		Thread	L1	CH1	
	tube mm	tube inch	F			
6350-06	6	1/4"	9/16-18	21	14	0,066
6350-09	8-10	5/16"-3/8"	11/16-16	25	19	0,114
6350-11	12	1/2"	13/16-16	28	19	0,199
6350-13	14-16	5/8"	1-14	33.5	27	0,239
6350-14	18-20	3/4"	1.3/16-12	37.5	27	0,321
6350-15	22-25	1"	1.7/16-12	41.5	36	0,488
6350-21	28-32	1.1/4"	1.11/16-12	44.5	41	0,768
6350-32	35-38	1.1/2"	2-12	49	50	0,866

## Unione a croce maschio ORFS (ISO 8434-3)

**K**

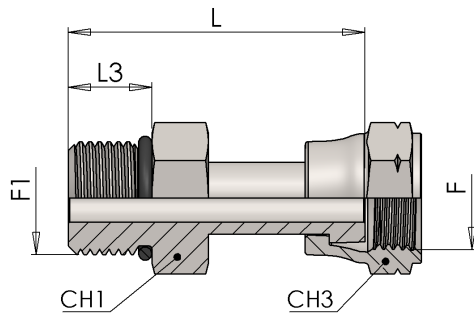


Part number	Dimensions					Weight kg/unit
	Ø		Thread			
	tube mm	tube inch	F	L1	CH1	
6550-06	6	1/4"	9/16-18	21	14	0,072
6550-09	8-10	5/16"-3/8"	11/16-16	25	19	0,14
6550-11	12	1/2"	13/16-16	28	19	0,225
6550-13	14-16	5/8"	1-14	33.5	27	0,288
6550-14	18-20	3/4"	1.3/16-12	37.5	27	0,32

# 6120

## Terminale dritto F/M ORFS-UNF (ISO 11926)

SDSWS

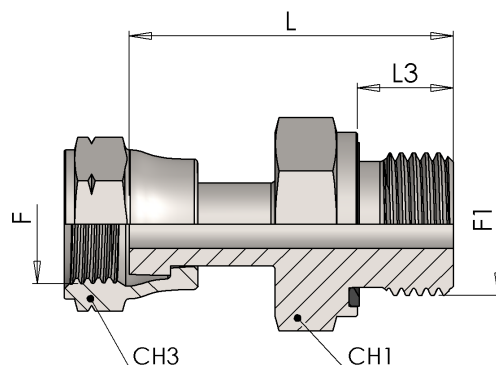


Part number	Dimensions								Weight kg/unit
	Ø		Thread						
	tube mm	tube inch	F	F1	L	L3	CH1	CH3	
6120-04-06	6	1/4"	9/16-18	7/16-20	37.0	11	17	17	0,053
6120-06-09	8-10	5/16"-3/8"	11/16-16	9/16-18	40.0	12	19	22	0,066
6120-08-11	12	1/2"	13/16-16	3/4-16	50.0	14	22	24	0,11
6120-10-13	14-16	5/8"	1-14	7/8-14	54.0	16	27	30	0,173
6120-12-14	18-20	3/4"	1.3/16-12	1.1/16-12	59.0	18.5	32	36	0,275
6120-16-15	22-25	1"	1.7/16-12	1.5/16-12	68.0	18.5	41	41	0,462
6120-20-21	28-32	1.1/4"	1.11/16-12	1.5/8-12	68.0	18.5	46	50	0,622



## Terminale dritto F/M ORFS-BSP (Form E ISO 1179-2)

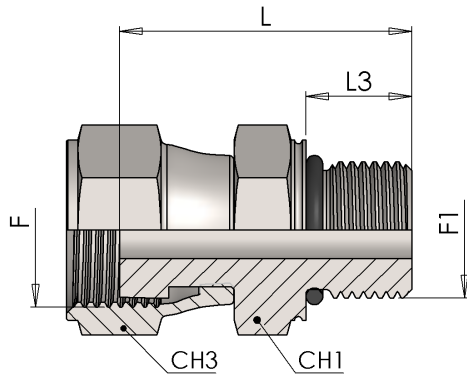
SWS



Part number	Dimensions								Weight kg/unit
	Ø		Thread						
	tube mm	tube inch	F	F1	L	L3	CH1	CH3	
6036-02-06	6	1/4"	9/16-18	G 1/8	34.0	8	14	17	0,043
6036-04-06	6	1/4"	9/16-18	G 1/4	38.0	12	19	17	0,059
6036-04-09	8-10	5/16"-3/8"	11/16-16	G 1/4	40.0	12	19	22	0,072
6036-04-11	12	1/2"	13/16-16	G 1/4	47.0	12	22	24	0,098
6036-06-09	8-10	5/16"-3/8"	11/16-16	G 3/8	40.0	12	22	22	0,086
6036-06-11	12	1/2"	13/16-16	G 3/8	47.0	12	22	24	0,104
6036-08-09	8-10	5/16"-3/8"	11/16-16	G 1/2	42.0	14	27	22	0,092
6036-08-11	12	1/2"	13/16-16	G 1/2	49.0	14	27	24	0,142
6036-08-13	14-16	5/8"	1-14	G 1/2	52.0	14	27	30	0,165
6036-12-13	14-16	5/8"	1-14	G 3/4	54.0	16	32	30	0,185
6036-12-14	18-20	3/4"	1.3/16-12	G 3/4	57.0	16	32	36	0,266
6036-16-15	22-25	1"	1.7/16-12	G 1	67.0	18	41	41	0,414
6036-20-21	28-32	1.1/4"	1.11/16-12	G 1 1/4	69.0	20	50	50	0,623
6036-24-32	35-38	1.1/2"	2-12	G 1 1/2	72.0	22	55	60	0,885

## Terminale dritto F/M ORFS-METRICO (ISO 6149)

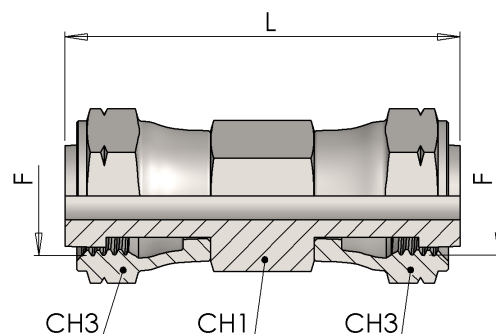
**SDSWS**



Part number	Dimensions								Weight kg/unit
	Ø		Thread		L	L3	CH1	CH3	
	tube mm	tube inch	F	F1					
6850-12-06	6	1/4"	9/16-18	M12x1,5	37.0	11	17	17	0,053
6850-16-09	8-10	5/16"-3/8"	11/16-16	M16x1,5	40.5	12.5	22	22	0,072
6850-18-11	12	1/2"	13/16-16	M18x1,5	49.5	14	24	24	0,11
6850-22-13	14-16	5/8"	1-14	M22x1,5	53.0	15	27	30	0,173
6850-27-14	18-20	3/4"	1.3/16-12	M27x2	59.5	18.5	32	36	0,275
6850-33-15	22-25	1"	1.7/16-12	M33x2	67.5	18.5	41	41	0,462
6850-42-21	28-32	1.1/4"	1.11/16-12	M42x2	68.0	19	50	50	0,622
6850-48-32	35-38	1.1/2"	2-12	M48x2	70.5	21.5	55	60	0,885

## Unione diritto girevole ORFS (ISO 8434-3)

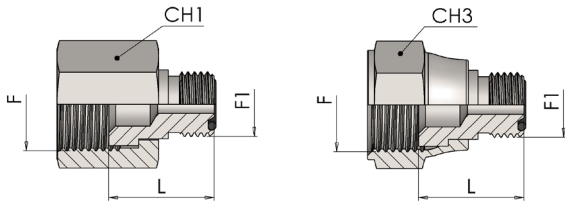
SWS



Part number	Dimensions						Weight kg/unit
	Ø		Thread				
	tube mm	tube inch	F	L	CH1	CH3	
6060-06-06	6	1/4"	9/16-18	40.4	17	17	0,053
6060-09-09	8-10	5/16"-3/8"	11/16-16	45.0	19	22	0,066
6060-11-11	12	1/2"	13/16-16	53.8	22	24	0,11
6060-13-13	14-16	5/8"	1-14	61.5	27	30	0,17
6060-14-14	18-20	3/4"	1.3/16-12	69.6	32	36	0,275

## Terminale dritto di riduzione F/M ORFS (ISO 8434-3)

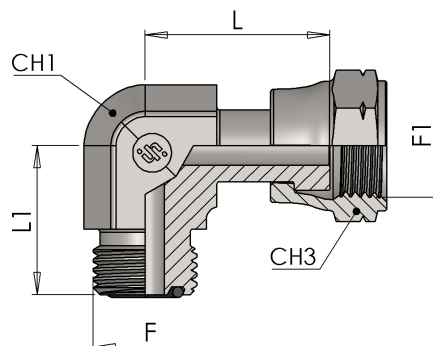
SRDS



Part number	Dimensions							Weight kg/unit
	Ø		Thread		L	CH1	CH3	
	tube mm	tube inch	F	F1				
6056-09-06	10-06	3/8"-1/4"	11/16-16	9/16-18	19.5		22	0,021
6056-11-06	12-06	1/2"-1/4"	13/16-16	9/16-18	22.0	24		0,03
6056-11-09	12-10	1/2"-3/8"	13/16-16	11/16-16	22.5		24	0,033
6056-13-06	16-06	5/8"-1/4"	1-14	9/16-18	23.0	30		0,071
6056-13-09	16-08	5/8"-5/16"	1-14	11/16-16	24.0	30		0,073
6056-13-11	16-12	5/8"-1/2"	1-14	13/16-16	25.5	30		0,078
6056-14-06	20-06	3/4"-1/4"	1.3/16-12	9/16-18	25.0	36		0,085
6056-14-09	20-10	3/4"-3/8"	1.3/16-12	11/16-16	26.0	36		0,098
6056-14-11	20-12	3/4"-1/2"	1.3/16-12	13/16-16	27.5	36		0,105
6056-14-13	20-16	3/4"-5/8"	1.3/16-12	1-14	29.5		36	0,085
6056-15-11	25-12	1"-1/2"	1.7/16-12	13/16-16	29.0	41		0,135
6056-15-13	25-16	1"-5/8"	1.7/16-12	1-14	32.0	41		0,14
6056-15-14	25-20	1"-3/4"	1.7/16-12	1.3/16-12	33.0		41	0,133
6056-21-14	30-20	1.1/4"-3/4"	1.11/16-12	1.3/16-12	33.5	50		0,15
6056-21-15	30-25	1.1/4"-1"	1.11/16-12	1.7/16-12	38.5		50	0,2
6056-32-15	38-25	1.1/2"-1"	2-12	1.7/16-12	34.0	60		0,42
6056-32-21	38-30	1.1/2"-1.1/4"	2-12	1.11/16-12	34.0	60		0,42

**Girevole a 90° F/M**  
**ORFS**  
**(ISO 8434-3)**

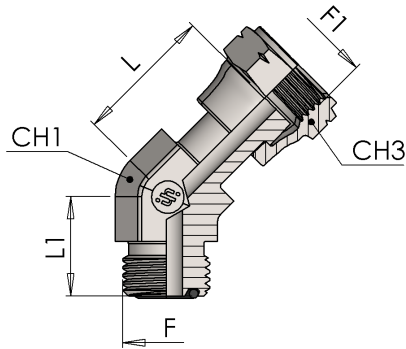
**SWE**



Part number	Dimensions								Weight kg/unit
	Ø		Thread						
	tube mm	tube inch	F	F1	L	L1	CH1	CH3	
6205-06	6	1/4"	9/16-18	9/16-18	27.5	21	14	17	0,045
6205-09	8-10	5/16"-3/8"	11/16-16	11/16-16	31.0	25	19	22	0,084
6205-11	12	1/2"	13/16-16	13/16-16	38.0	28	19	24	0,126
6205-13	14-16	5/8"	1-14	1-14	43.0	33.5	27	30	0,221
6205-14	18-20	3/4"	1.3/16-12	1.3/16-12	47.5	37.5	27	36	0,275
6205-15	22-25	1"	1.7/16-12	1.7/16-12	54.0	41.5	36	41	0,541
6205-21	28-32	1.1/4"	1.11/16-12	1.11/16-12	59.0	44.5	41	50	0,557
6205-32	35-38	1.1/2"	2-12	2-12	62.0	49	50	60	0,75

## Girevole a 45° F/M ORFS (ISO 8434-3)

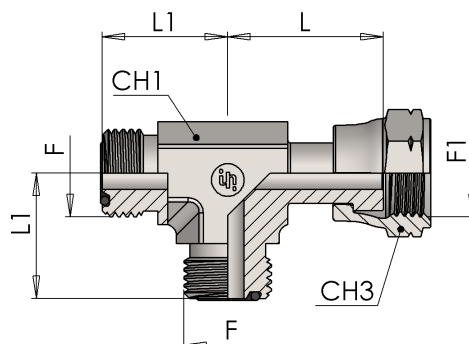
**SWE45**



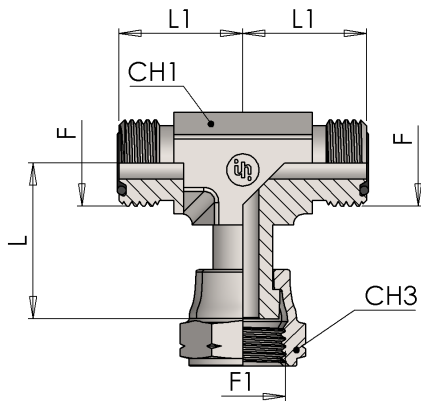
Part number	Dimensions								Weight kg/unit
	Ø		Thread						
	tube mm	tube inch	F	F1	L	L1	CH1	CH3	
6255-06	6	1/4"	9/16-18	9/16-18	22.0	16	14	17	0,044
6255-09	8-10	5/16"-3/8"	11/16-16	11/16-16	26.5	19	19	22	0,082
6255-11	12	1/2"	13/16-16	13/16-16	31.0	20.5	19	24	0,11
6255-13	14-16	5/8"	1-14	1-14	36.5	23.5	27	30	0,19
6255-14	18-20	3/4"	1.3/16-12	1.3/16-12	41.5	26	27	36	0,215
6255-15	22-25	1"	1.7/16-12	1.7/16-12	46.5	30	36	41	0,3
6255-21	28-32	1.1/4"	1.11/16-12	1.11/16-12	46.5	32	41	50	0,5
6255-32	35-38	1.1/2"	2-12	2-12	48.5	37	50	60	0,745

**Girevole a T laterale F/M  
ORFS  
(ISO 8434-3)**

**SWRT**



Part number	Dimensions								Weight kg/unit
	Ø		Thread						
	tube mm	tube inch	F	F1	L	L1	CH1	CH3	
6620-06	6	1/4"	9/16-18	9/16-18	27.5	21	14	17	0,066
6620-09	8-10	5/16"-3/8"	11/16-16	11/16-16	31.0	25	19	22	0,125
6620-11	12	1/2"	13/16-16	13/16-16	38.0	28	19	24	0,15
6620-13	14-16	5/8"	1-14	1-14	43.0	33.5	27	30	0,233
6620-14	18-20	3/4"	1.3/16-12	1.3/16-12	47.5	37.5	27	36	0,28
6620-15	22-25	1"	1.7/16-12	1.7/16-12	54.0	41.5	36	41	0,505
6620-21	28-32	1.1/4"	1.11/16-12	1.11/16-12	59.0	44.5	41	50	0,775
6620-32	35-38	1.1/2"	2-12	2-12	62.0	49	50	60	0,965



## Girevole a T centrale F/M ORFS (ISO 8434-3)

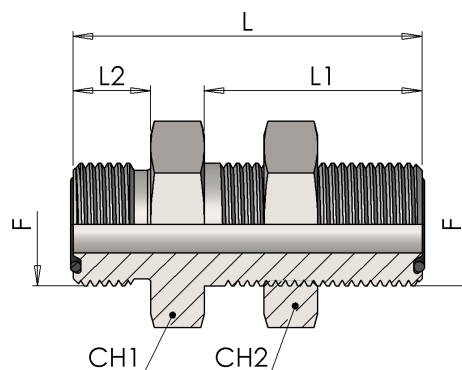
**SWBT**

Part number	Dimensions								Weight kg/unit
	Ø		Thread		L	L1	CH1	CH3	
	tube mm	tube inch	F	F1					
6630-06	6	1/4"	9/16-18	9/16-18	27.5	21	14	17	0,066
6630-09	8-10	5/16"-3/8"	11/16-16	11/16-16	31.0	25	19	22	0,125
6630-11	12	1/2"	13/16-16	13/16-16	38.0	28	19	24	0,15
6630-13	14-16	5/8"	1-14	1-14	43.0	33.5	27	30	0,233
6630-14	18-20	3/4"	1.3/16-12	1.3/16-12	47.5	37.5	27	36	0,28
6630-15	22-25	1"	1.7/16-12	1.7/16-12	54.0	41.5	36	41	0,505
6630-21	28-32	1.1/4"	1.11/16-12	1.11/16-12	59.0	44.5	41	50	0,775
6630-32	35-38	1.1/2"	2-12	2-12	62.0	49	50	60	0,965



## Passaparete dritto ORFS (ISO 8434-3)

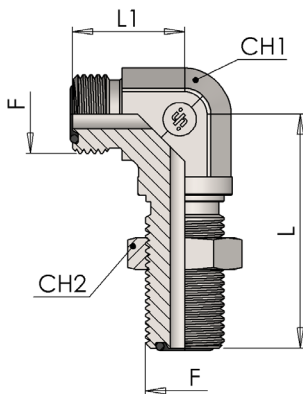
BHS



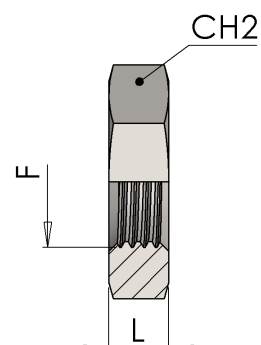
Part number	Dimensions								Weight kg/unit
	Ø		Thread	L	L1	L2	CH1	CH2	
	tube mm	tube inch	F	L	L1	L2	CH1	CH2	
6050-06	6	1/4"	9/16-18	48.0	31.5	10	22	22	0,08
6050-09	8-10	5/16"-3/8"	11/16-16	53.0	34	11	27	27	0,14
6050-11	12	1/2"	13/16-16	58.5	36.5	13	30	30	0,155
6050-13	14-16	5/8"	1-14	66.5	40.5	15.5	36	36	0,31
6050-14	18-20	3/4"	1.3/16-12	69.0	41.5	17	41	41	0,34
6050-15	22-25	1"	1.7/16-12	70.0	42	17.5	46	46	0,436
6050-21	28-32	1.1/4"	1.11/16-12	70.0	42	17.5	50	50	0,51
6050-32	35-38	1.1/2"	2-12	70.0	42	17.5	60	60	0,674

**Passaparete a 90° ORFS  
(ISO 8434-3)**

**BHE**



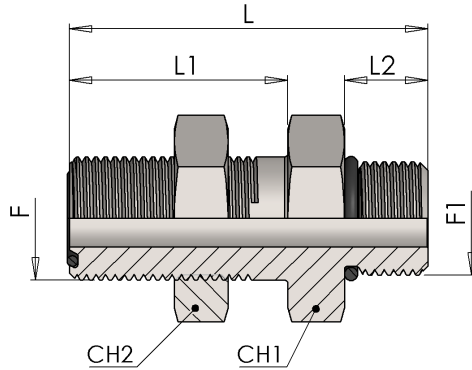
Part number	Dimensions							Weight kg/unit
	Ø		Thread					
	tube mm	tube inch	F	L	L1	CH1	CH2	
6510-06	6	1/4"	9/16-18	47.0	21	14	22	0,078
6510-09	8-10	5/16"-3/8"	11/16-16	52.0	25	19	27	0,146
6510-11	12	1/2"	13/16-16	55.0	28	19	30	0,252
6510-13	14-16	5/8"	1-14	63.0	35	27	36	0,287
6510-14	18-20	3/4"	1.3/16-12	67.0	38	27	41	0,31
6510-15	22-25	1"	1.7/16-12	71.0	41.5	36	46	0,64

**Controdado per passaparete**
**BHLN**


Part number	Dimensions			Weight kg/unit
	Thread			
	F	L	CH2	
O107-06	9/16-18	7.0	22	0,011
O107-09	11/16-16	8.0	27	0,025
O107-11	13/16-16	9.0	30	0,031
O107-13	1-14	11.0	36	0,053
O107-14	1.3/16-12	11.0	41	0,064
O107-15	1.7/16-12	11.0	46	0,068
O107-21	1.11/16-12	11.0	50	0,070
O107-32	2-12	11.0	60	0,100

## Passaparete dritto ORFS/UNF (ISO 11926)

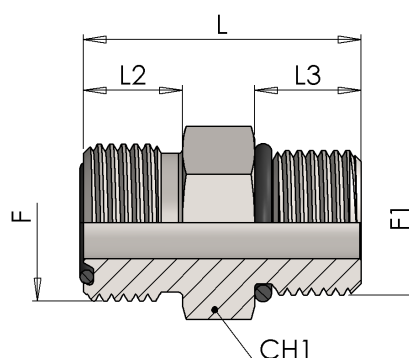
**BHS**



Part number	Dimensions									Weight kg/unit
	Ø		Thread							
	tube mm	tube inch	F	F1	L	L1	L2	CH1	CH2	
6150-04-06	6	1/4"	9/16-18	7/16-20	54.0	31.5	11	22	22	0,075
6150-06-09	8-10	5/16"-3/8"	11/16-16	9/16-18	58.0	34	12	27	27	0,112
6150-08-11	12	1/2"	13/16-16	3/4-16	65.0	36.5	14	30	30	0,147
6150-10-13	14-16	5/8"	1-14	7/8-14	67.0	40.5	16	36	36	0,295
6150-12-14	18-20	3/4"	1.3/16-12	1.1/16-12	71.0	41.5	18.5	41	41	0,33

## Terminale dritto M/M ORFS-UNF (ISO 11926)

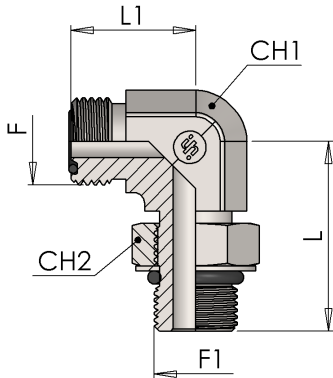
### SDS



Part number	Dimensions								Weight kg/unit
	Ø		Thread		L	L2	L3	CH1	
	tube mm	tube inch	F	F1					
6100-04-06	6	1/4"	9/16-18	7/16-20	29.0	10	11	17	0,03
6100-06-06	6	1/4"	9/16-18	9/16-18	31.0	10	12	19	0,036
6100-06-09	8-10	5/16"-3/8"	11/16-16	9/16-18	32.0	11	12	19	0,045
6100-08-11	12	1/2"	13/16-16	3/4-16	37.0	13	14	22	0,067
6100-10-09	8-10	5/16"-3/8"	11/16-16	7/8-14	39.0	11	16	27	0,089
6100-10-13	14-16	5/8"	1-14	7/8-14	43.0	15.5	16	27	0,109
6100-10-14	18-20	3/4"	1.3/16-12	7/8-14	51.0	17	16	32	0,177
6100-12-14	18-20	3/4"	1.3/16-12	1.1/16-12	49.0	17	18.5	32	0,173
6100-12-15	22-25	1"	1.7/16-12	1.1/16-12	55.0	17.5	18.5	41	0,287
6100-16-14	18-20	3/4"	1.3/16-12	1.5/16-12	50.0	17	18.5	41	0,254
6100-16-15	22-25	1"	1.7/16-12	1.5/16-12	50.0	17.5	18.5	41	0,29
6100-20-15	22-25	1"	1.7/16-12	1.5/8-12	52.5	17.5	18.5	46	0,428
6100-20-21	28-32	1.1/4"	1.11/16-12	1.5/8-12	52.5	17.5	18.5	46	0,416
6100-24-32	35-38	1.1/2"	2-12	1.7/8-12	54.0	17.5	18.5	55	0,612

## Curva Orientabile 90° M/M ORFS-UNF (ISO 11926)

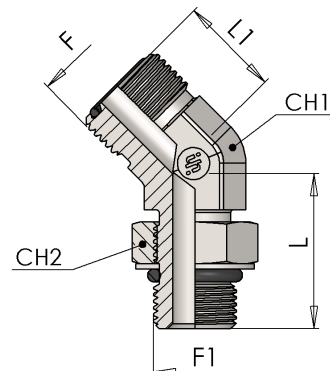
SDE



Part number	Dimensions								Weight kg/unit
	Ø		Thread						
	tube mm	tube inch	F	F1	L	L1	CH1	CH2	
6200-04-06	6	1/4"	9/16-18	7/16-20	32.0	21	14	17	0,053
6200-06-06	6	1/4"	9/16-18	9/16-18	37.0	23	19	19	0,066
6200-06-09	8-10	5/16"-3/8"	11/16-16	9/16-18	37.0	25	19	19	0,068
6200-08-11	12	1/2"	13/16-16	3/4-16	41.0	28	19	24	0,164
6200-10-13	14-16	5/8"	1-14	7/8-14	50.0	33.5	27	27	0,214
6200-12-14	18-20	3/4"	1.3/16-12	1.1/16-12	55.0	37.5	27	36	0,35
6200-16-15	22-25	1"	1.7/16-12	1.5/16-12	59.0	41.5	36	41	0,49
6200-20-21	28-32	1.1/4"	1.11/16-12	1.5/8-12	62.0	44.5	41	50	0,695
6200-24-32	35-38	1.1/2"	2-12	1.7/8-12	67.0	49	50	55	0,775

## Curva Orientabile 45° M/M ORFS-UNF (ISO 11926)

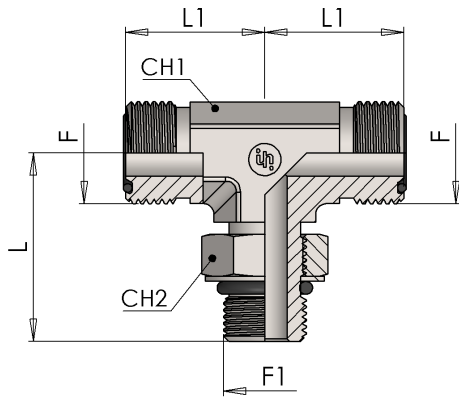
### SDE45



Part number	Dimensions								Weight kg/unit
	Ø		Thread						
	tube mm	tube inch	F	F1	L	L1	CH1	CH2	
6250-04-06	6	1/4"	9/16-18	7/16-20	30.0	18	14	17	0,045
6250-04-09	8-10	5/16"-3/8"	11/16-16	7/16-20	31.5	19.5	19	17	0.064
6250-06-09	8-10	5/16"-3/8"	11/16-16	9/16-18	33.0	19.5	19	19	0,083
6250-08-09	8-10	5/16"-3/8"	11/16-16	3/4-16	37.0	19	19	24	0.096
6250-08-11	12	1/2"	13/16-16	3/4-16	37.0	22	19	24	0,117
6250-08-13	14-16	5/8"	1-14	3/4-16	40.5	26	27	24	0.192
6250-10-13	14-16	5/8"	1-14	7/8-14	44.0	26	27	27	0,194
6250-12-14	18-20	3/4"	1.3/16-12	1.1/16-12	50.0	27	27	36	0,294
6250-16-15	22-25	1"	1.7/16-12	1.5/16-12	52.5	30	36	41	0,394
6250-20-21	28-32	1.1/4"	1.11/16-12	1.5/8-12	53.5	32	41	50	0,447

## Terminale a T orientabile centrale M/M ORFS-UNF (ISO 11926)

SDBT

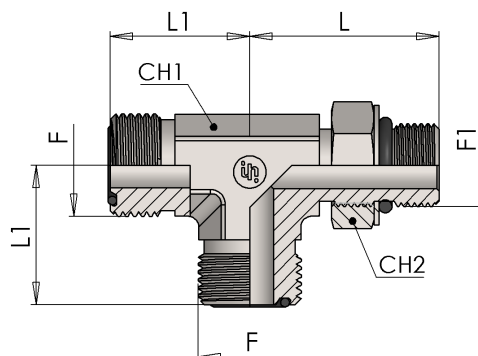


Part number	Dimensions								Weight kg/unit
	Ø		Thread						
	tube mm	tube inch	F	F1	L	L1	CH1	CH2	
6400-04-06	6	1/4"	9/16-18	7/16-20	32.0	21	14	17	0,067
6400-06-09	8-10	5/16"-3/8"	11/16-16	9/16-18	37.0	25	19	19	0,131
6400-08-11	12	1/2"	13/16-16	3/4-16	41.0	28	19	24	0,187
6400-10-13	14-16	5/8"	1-14	7/8-16	50.0	33.5	27	27	0,279
6400-12-14	18-20	3/4"	1.3/16-12	1.1/16-12	55.0	37.5	27	36	0,441
6400-16-15	22-25	1"	1.7/16-12	1.5/16-12	59.0	41.5	36	41	0,539
6400-20-21	28-32	1.1/4"	1.11/16-12	1.5/8-12	62.0	44.5	41	50	0,851
6400-24-32	35-38	1.1/2"	2-12	1.7/8-12	67.0	49	50	55	0,942



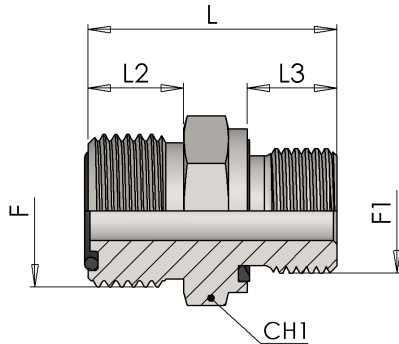
## Terminale a T orientabile laterale M/M ORFS-UNF (ISO 11926)

SDRT



Part number	Dimensions								Weight kg/unit
	Ø		Thread						
	tube mm	tube inch	F	F1	L	L1	CH1	CH2	
6450-04-06	6	1/4"	9/16-18	7/16-20	32.0	21	14	17	0,067
6450-06-09	8-10	5/16"-3/8"	11/16-16	9/16-18	37.0	25	19	19	0,131
6450-08-11	12	1/2"	13/16-16	3/4-16	41.0	28	19	24	0,187
6450-10-13	14-16	5/8"	1-14	7/8-16	50.0	33.5	27	27	0,279
6450-12-14	18-20	3/4"	1.3/16-12	1.1/16-12	55.0	37.5	27	36	0,441
6450-16-15	22-25	1"	1.7/16-12	1.5/16-12	59.0	41.5	36	41	0,539
6450-20-21	28-32	1.1/4"	1.11/16-12	1.5/8-12	62.0	44.5	41	50	0,851
6450-24-32	35-38	1.1/2"	2-12	1.7/8-12	67.0	49	50	55	0,942

## Terminale dritto M/M ORFS-BSPB (Form E ISO 1179-2)

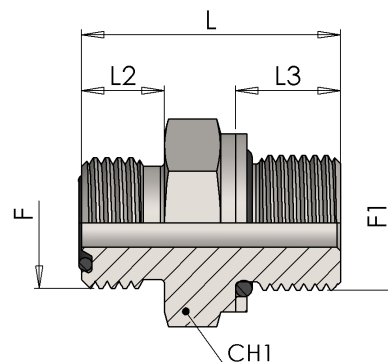


SDS

Part number	Dimensions								Weight kg/unit
	Ø		Thread		L	L2	L3	CH1	
	tube mm	tube inch	F	F1	L	L2	L3	CH1	
6805-02-06	6	1/4"	9/16-18	G 1/8	25.0	10	8	17	0,029
6805-04-06	6	1/4"	9/16-18	G 1/4	30.5	10	12	19	0,042
6805-04-09	8-10	5/16"-3/8"	11/16-16	G 1/4	31.5	11	12	19	0,045
6805-04-11	12	1/2"	13/16-16	G 1/4	33.0	13	12	22	0,04
6805-06-06	6	1/4"	9/16-18	G 3/8	30.5	10	12	22	0,061
6805-06-09	8-10	5/16"-3/8"	11/16-16	G 3/8	31.5	11	12	22	0,063
6805-06-11	12	1/2"	13/16-16	G 3/8	33.5	13	12	22	0,06
6805-06-13	14-16	5/8"	1-14	G 3/8	37.0	15.5	12	27	0,093
6805-08-09	8-10	5/16"-3/8"	11/16-16	G 1/2	35.0	11	14	27	0,052
6805-08-11	12	1/2"	13/16-16	G 1/2	37.0	13	14	27	0,09
6805-08-13	14-16	5/8"	1-14	G 1/2	39.5	15.5	14	27	0,11
6805-08-14	18-20	3/4"	1.3/16-12	G 1/2	43.0	17	14	32	0,147
6805-12-11	12	1/2"	13/16-16	G 3/4	41.0	13	16	32	0,151
6805-12-13	14-16	5/8"	1-14	G 3/4	43.5	15.5	16	32	0,154
6805-12-14	18-20	3/4"	1.3/16-12	G 3/4	45.0	17	16	32	0,164
6805-12-15	22-25	1"	1.7/16-12	G 3/4	46.0	17.5	16	41	0,236
6805-16-13	14-16	5/8"	1-14	G 1	46.0	15.5	18	41	0,271
6805-16-14	18-20	3/4"	1.3/16-12	G 1	47.5	17	18	41	0,276
6805-16-15	22-25	1"	1.7/16-12	G 1	48.0	17.5	18	41	0,37
6805-16-21	28-32	1.1/4"	1.11/16-12	G 1	49.5	17.5	18	46	0,505
6805-20-15	22-25	1"	1.7/16-12	G 1.1/4	51.5	17.5	20	50	0,487
6805-20-21	28-32	1.1/4"	1.11/16-12	G 1.1/4	51.5	17.5	20	50	0,532
6805-24-32	35-38	1.1/2"	2-12	G 1.1/2	55.5	17.5	22	55	0,585

## Terminale dritto M/M ORFS-BSPP (ISO 1179)

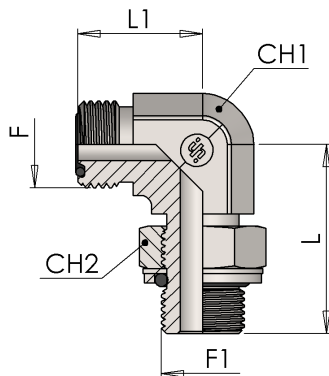
### SDS



Part number	Dimensions								Weight kg/unit
	Ø		Thread						
	tube mm	tube inch	F	F1	L	L2	L3	CH1	
6800-02-06	6	1/4"	9/16-18	G 1/8	25.0	10	8	17	0,029
6800-04-06	6	1/4"	9/16-18	G 1/4	30.5	10	12	19	0,042
6800-04-09	8-10	5/16"-3/8"	11/16-16	G 1/4	31.5	11	12	19	0,045
6800-04-11	12	1/2"	13/16-16	G 1/4	33.5	13	12	22	0,04
6800-06-06	6	1/4"	9/16-18	G 3/8	30.5	10	12	22	0,061
6800-06-09	8-10	5/16"-3/8"	11-16-16	G 3/8	31.5	11	12	22	0,063
6800-06-11	12	1/2"	13/16-16	G 3/8	33.5	13	12	22	0,06
6800-06-13	14-16	5/8"	1-14	G 3/8	37.5	15.5	12	27	0,093
6800-08-09	8-10	5/16"-3/8"	11/16-16	G 1/2	35.5	11	14.5	27	0,052
6800-08-11	12	1/2"	13/16-16	G 1/2	37.5	13	14.5	27	0,09
6800-08-13	14-16	5/8"	1-14	G 1/2	40.0	15.5	14.5	27	0,11
6800-08-14	18-20	3/4"	1.3/16-12	G 1/2	41.5	17	14.5	32	0,147
6800-12-13	14-16	5/8"	1-14	G 3/4	43.5	15.5	16	36	0,154
6800-12-14	18-20	3/4"	1.3/16-12	G 3/4	45.0	17	16	36	0,164
6800-12-15	22-25	1"	1.7/16-12	G 3/4	45.5	17.5	16	41	0,236
6800-16-14	18-20	3/4"	1.3/16-12	G 1	47.5	17	18	41	0,271
6800-16-15	22-25	1"	1.7/16-12	G 1	48.0	17.5	18	41	0,276
6800-16-21	28-32	1.1/4"	1.11/16-12	G 1	49.5	17.5	18	46	0,37
6800-20-15	18-20	3/4"	1.3/16-12	G 1.1/4	51.5	17.5	20	50	0,505
6800-20-21	22-25	1"	1.7/16-12	G 1.1/4	51.5	17.5	20	50	0,487
6800-24-21	22-25	1"	1.11/16-12	G 1.1/2	55.5	17.5	22	55	0,532
6800-24-32	35-38	1.1/2"	2-12	G 1.1/2	55.5	17.5	22	55	0,585

## Curva Orientabile 90° M/M ORFS-BSP (ISO 1179)

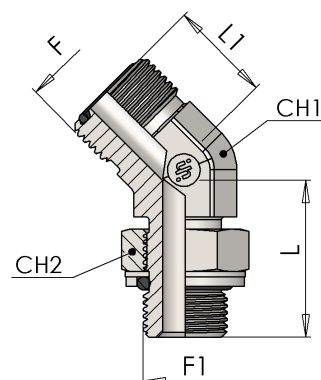
SDE



Part number	Dimensions								Weight kg/unit
	Ø		Thread		L	L1	CH1	CH2	
	tube mm	tube inch	F	F1	L	L1	CH1	CH2	
6215-02-06	6	1/4"	9/16-18	G 1/8	30.0	21	14	14	0,049
6215-04-06	6	1/4"	9/16-18	G 1/4	37.0	23	19	19	0,093
6215-04-09	8-10	5/16"-3/8"	11/16-16	G 1/4	37.0	25	19	19	0,097
6215-04-11	12	1/2"	13/16-16	G 1/4	37.0	28	19	19	0,108
6215-06-06	6	1/4"	9/16-18	G 3/8	38.0	23	19	22	0,099
6215-06-09	8-10	5/16"-3/8"	11/16-16	G 3/8	38.0	25	19	22	0,106
6215-06-11	12	1/2"	13/16-16	G 3/8	38.0	28	19	22	0,108
6215-06-13	14-16	5/8"	1-14	G 3/8	43.0	33.5	27	22	0,235
6215-08-09	8-10	5/16"-3/8"	11/16-16	G 1/2	48.0	29.5	27	27	0,12
6215-08-11	12	1/2"	13/16-16	G 1/2	48.0	30.5	27	27	0,239
6215-08-13	14-16	5/8"	1-14	G 1/2	48.0	33.5	27	27	0,274
6215-08-14	18-20	3/4"	1.3/16-12	G 1/2	48.0	37.5	27	27	0,297
6215-12-11	12	1/2"	13/16-16	G 3/4	51.5	32	27	36	0,258
6215-12-13	14-16	5/8"	1-14	G 3/4	51.5	33.5	27	36	0,352
6215-12-14	18-20	3/4"	1.3/16-12	G 3/4	51.5	37.5	27	36	0,355
6215-12-15	22-25	1"	1.7/16-12	G 3/4	54.5	41.5	36	36	0,533
6215-16-14	18-20	3/4"	1.3/16-12	G 1	59.0	39.5	36	41	0,362
6215-16-15	22-25	1"	1.7/16-12	G 1	59.0	41.5	36	41	0,551
6215-16-21	28-32	1.1/4"	1.11/16-12	G 1	60.5	44.5	41	41	0,712
6215-20-15	22-25	1"	1.7/16-12	G 1.1/4	62.0	43	41	50	0,758
6215-20-21	28-32	1.1/4"	1.11/16-12	G 1.1/4	62.0	44.5	41	50	0,752
6215-24-21	28-32	1.1/4"	1.11/16-12	G 1.1/2	65.0	46.5	50	55	0.821
6215-24-32	35-38	1.1/2"	2-12	G 1.1/2	65.0	49	50	55	0,953

**Curva Orientabile 45° M/M**  
**ORFS-BSP**  
**(ISO 1179)**

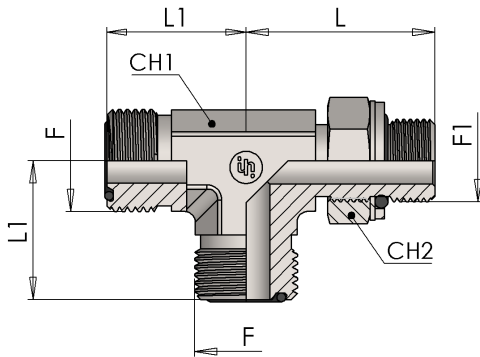
**SDE45**



Part number	Dimensions								Weight kg/unit
	Ø		Thread						
	tube mm	tube inch	F	F1	L	L1	CH1	CH2	
6260-02-06	6	1/4"	9/16-18	G 1/8	28.0	18	14	14	0,038
6260-04-06	6	1/4"	9/16-18	G 1/4	32.5	18.5	19	19	0,055
6260-04-09	8-10	5/16"-3/8"	11/16-16	G 1/4	32.5	19.5	19	19	0,083
6260-06-09	8-10	5/16"-3/8"	11/16-16	G 3/8	33.5	19.5	19	22	0,095
6260-06-11	12	1/2"	13/16-16	G 3/8	33.5	22	19	22	0,117
6260-08-09	8-10	5/16"-3/8"	11/16-16	G 1/2	42.0	22.5	27	27	0,107
6260-08-13	14-16	5/8"	1-14	G 1/2	42.0	26	27	27	0,191
6260-12-13	14-16	5/8"	1-14	G 3/4	46.0	26	27	36	0,205
6260-12-14	18-20	3/4"	1.3/16-12	G 3/4	46.0	27	27	36	0,245
6260-16-14	18-20	3/4"	1.3/16-12	G 1	51.0	29.5	36	41	0,325
6260-16-15	22-25	1"	1.7/16-12	G 1	51.0	30	36	41	0,394
6260-20-21	28-32	1.1/4"	1.11/16-12	G 1.1/4	52.0	32	41	50	0,43

## Terminale a T orientabile laterale M/M ORFS-BSP (ISO 1179)

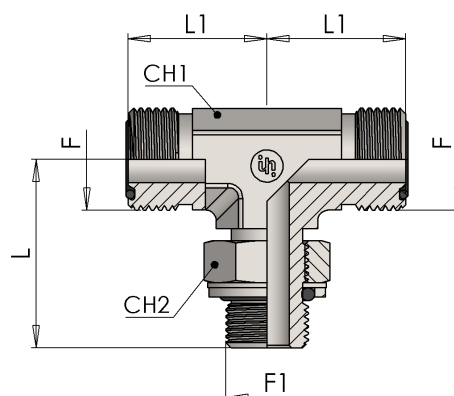
SDRT



Part number	Dimensions								Weight kg/unit
	Ø		Thread		L	L1	CH1	CH2	
	tube mm	tube inch	F	F1					
6460-02-06	6	1/4"	9/16-18	G 1/8	30.0	21	14	14	0,069
6460-04-06	6	1/4"	9/16-18	G 1/4	37.0	23	19	19	0,097
6460-04-09	8-10	5/16"-3/8"	11/16-16	G 1/4	37.0	25	19	19	0,127
6460-06-06	6	1/4"	9/16-18	G 3/8	38.0	23	19	22	0,11
6460-06-09	8-10	5/16"-3/8"	11/16-16	G 3/8	38.0	25	19	22	0,126
6460-06-11	12	1/2"	13/16-16	G 3/8	38.0	28	19	22	0,146
6460-08-11	12	1/2"	13/16-16	G 1/2	48.0	30.5	27	27	0,174
6460-08-13	14-16	5/8"	1-14	G 1/2	48.0	33.5	27	27	0,288
6460-12-13	14-16	5/8"	1-14	G 3/4	51.5	33.5	27	36	0,31
6460-12-14	18-20	3/4"	1.3/16-12	G 3/4	51.5	37.5	27	36	0,49
6460-16-15	22-25	1"	1.7/16-12	G 1	59.0	41.5	36	41	0,55
6460-20-21	28-32	1.1/4"	1.11/16-12	G 1.1/4	62.0	44.5	41	50	0,825
6460-24-32	35-38	1.1/2"	2-12	G 1.1/2	65.0	49	50	55	0,95

## Terminale a T orientabile centrale M/M ORFS-BSP (ISO 1179)

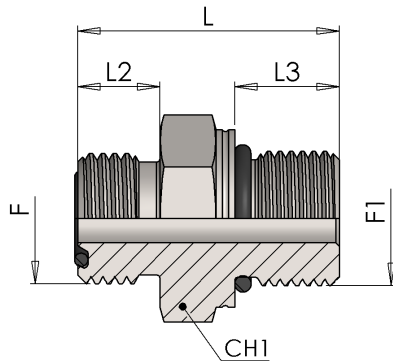
SDBT



Part number	Dimensions								Weight kg/unit
	Ø		Thread						
	tube mm	tube inch	F	F1	L	L1	CH1	CH2	
6410-02-06	6	1/4"	9/16-18	G 1/8	30.0	21	14	14	0,069
6410-04-06	6	1/4"	9/16-18	G 1/4	37.0	23	19	19	0,097
6410-04-09	8-10	5/16"-3/8"	11/16-16	G 1/4	37.0	25	19	19	0,127
6410-06-06	6	1/4"	9/16-18	G 3/8	38.0	23	19	22	0,11
6410-06-09	8-10	5/16"-3/8"	11/16-16	G 3/8	38.0	25	19	22	0,126
6410-06-11	12	1/2"	13/16-16	G 3/8	38.0	28	19	22	0,146
6410-08-11	12	1/2"	13/16-16	G 1/2	48.0	30.5	27	27	0,174
6410-08-13	14-16	5/8"	1-14	G 1/2	48.0	33.5	27	27	0,288
6410-12-13	14-16	5/8"	1-14	G 3/4	51.5	33.5	27	36	0,31
6410-12-14	18-20	3/4"	1.3/16-12	G 3/4	51.5	37.5	27	36	0,49
6410-16-15	22-25	1"	1.7/16-12	G 1	59.0	41.5	36	41	0,55
6410-20-21	28-32	1.1/4"	1.11/16-12	G 1.1/4	62.0	44.5	41	50	0,825
6410-24-32	35-38	1.1/2"	2-12	G 1.1/2	65.0	49	50	55	0,95

## Terminale dritto M/M ORFS-METRICO (ISO 6149)

SDS

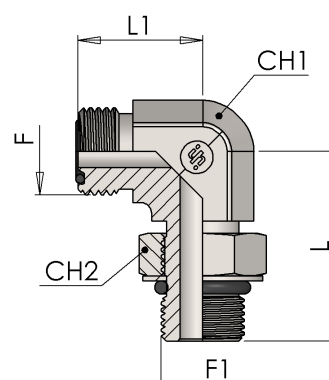


Part number	Dimensions								Weight kg/unit
	Ø		Thread						
	tube mm	tube inch	F	F1	L	L2	L3	CH1	
6840-10-06	6	1/4"	9/16-18	M10x1	26.0	10	9.5	17	0,02
6840-12-06	6	1/4"	9/16-18	M12x1.5	28.5	10	11	17	0,024
6840-12-09	8-10	5/16"-3/8"	11/16-16	M12x1.5	30.5	11	11	19	0,04
6840-14-06	6	1/4"	9/16-18	M14x1,5	29.5	10	11	19	0,03
6840-14-09	8-10	5/16"-3/8"	11/16-16	M14x1,5	30.5	11	11	19	0,043
6840-14-11	12	1/2"	13/16-16	M14x1,5	33.5	13	11	22	0,04
6840-16-09	8-10	5/16"-3/8"	11/16-16	M16x1,5	33.5	11	12.5	22	0,043
6840-16-11	12	1/2"	13/16-16	M16x1,5	33.5	13	12.5	22	0,058
6840-18-09	8-10	5/16"-3/8"	11/16-16	M18x1,5	34.0	11	14	24	0,045
6840-18-11	12	1/2"	13/16-16	M18x1,5	38.0	13	14	24	0,055
6840-18-13	14-16	5/8"	1-14	M18x1,5	43.0	15.5	14	27	0,12
6840-22-09	8-10	5/16"-3/8"	11/16-16	M22x1,5	36.0	11	15	27	0,052
6840-22-11	12	1/2"	13/16-16	M22x1,5	38.0	13	15	27	0,06
6840-22-13	14-16	5/8"	1-14	M22x1,5	42.0	15.5	15	27	0,127
6840-22-14	18-20	3/4"	1.3/16-12	M22x1,5	48.0	17	15	32	0,17
6840-27-11	12	1/2"	13/16-16	M27x2	44.5	13	18.5	32	0,07
6840-27-14	18-20	3/4"	1.3/16-12	M27x2	48.5	17	18.5	32	0,187
6840-27-15	22-25	1"	1.7/16-12	M27x2	53.0	17.5	18.5	41	0,23
6840-33-14	18-20	3/4"	1.3/16-12	M33x2	48.5	17	18.5	41	0,2
6840-33-15	22-25	1"	1.7/16-12	M33x2	52.0	17.5	18.5	41	0,27
6840-33-21	28-32	1.1/4"	1.11/16-12	M33x2	52.0	17.5	18.5	46	0,37
6840-42-21	28-32	1.1/4"	1.11/16-12	M42x2	54.5	17.5	19	50	0,39
6840-42-32	35-38	1.1/2"	2-12	M42x2	54.5	17.5	19	55	0,4
6840-48-32	35-38	1.1/2"	2-12	M48x2	57.0	17.5	21.5	55	0,412



**Curva Orientabile 90° M/M  
ORFS-METRICO  
(ISO 6149)**

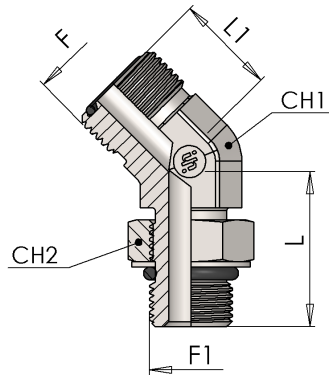
**SDE**



Part number	Dimensions								Weight kg/unit
	Ø		Thread						
	tube mm	tube inch	F	F1	L	L1	CH1	CH2	
6870-10-06	6	1/4"	9/16-18	M10x1	30.0	21	14	14	0.050
6870-12-06	6	1/4"	9/16-18	M12x1.5	33.0	21	14	17	0.052
6870-14-09	8-10	5/16"-3/8"	11/16-16	M14x1.5	36.0	25	19	19	0.060
6870-16-09	8-10	5/16"-3/8"	11-16-16	M16x1.5	38.0	25	19	22	0.065
6870-18-11	12	1/2"	13/16-16	M18x1.5	41.0	28	19	24	0.160
6870-18-13	14-16	5/8"	1-14	M18x1.5	45.5	33.5	27	24	0.190
6870-22-13	14-16	5/8"	1-14	M22x1.5	50.0	33.5	27	27	0.215
6870-27-14	18-20	3/4"	1.3/16-12	M27x2	55.0	37.5	27	32	0.420
6870-33-15	22-25	1"	1.7/16-12	M33x2	59.0	41.5	36	41	0.500
6870-42-21	28-32	1.1/4"	1.11/16-12	M42x2	62.0	44.5	41	50	0.560
6870-48-32	35-38	1.1/2"	2-12	M48x2	68.0	49	50	55	0.685

**Curva Orientabile 45° M/M  
ORFS-METRICO  
(ISO 6149)**

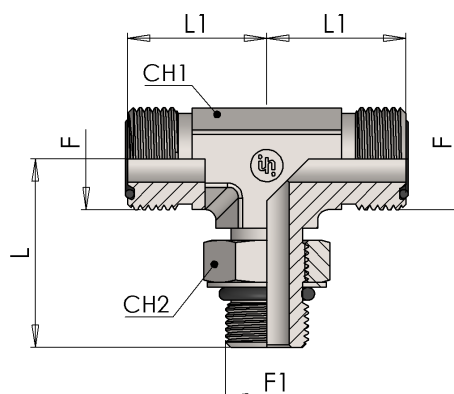
**SDE45**



Part number	Dimensions								Weight kg/unit
	Ø		Thread		L	L1	CH1	CH2	
	tube mm	tube inch	F	F1					
6860-12-06	6	1/4"	9/16-18	M12x1.5	30.0	18	14	17	0.045
6860-14-09	8-10	5/16"-3/8"	11/16-16	M14x1.5	32.0	19.5	19	19	0.075
6860-16-09	8-10	5/16"-3/8"	11/16-16	M16x1.5	34.0	19.5	19	22	0.080
6860-18-11	12	1/2"	13/16-16	M18x1.5	37.0	22	19	24	0.110
6860-18-13	14-16	5/8"	1-14	M18x1.5	40.0	26	27	24	0.170
6860-22-13	14-16	5/8"	1-14	M22x1.5	44.0	26	27	27	0.190
6860-27-14	18-20	3/4"	1.3/16-12	M27x2	50.0	27	27	32	0.250
6860-33-15	22-25	1"	1.7/16-12	M33x2	52.5	30	36	41	0.300
6860-42-21	28-32	1.1/4"	1.11/16-12	M42x2	54.0	32	41	50	0.445

## Terminale a T orientabile centrale M/M ORFS-METRICO (ISO 6149)

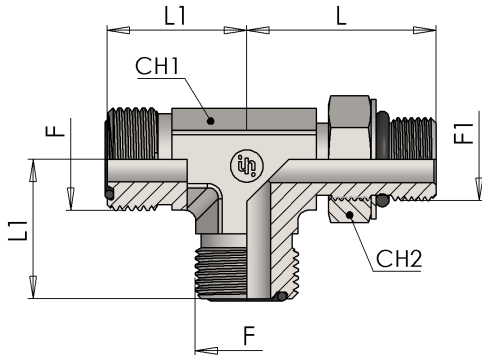
**SDBT**



Part number	Dimensions								Weight kg/unit
	Ø		Thread		L	L1	CH1	CH2	
	tube mm	tube inch	F	F1					
6890-12-06	6	1/4"	9/16-18	M12x1.5	33.0	21	14	17	0.066
6890-14-09	8-10	5/16"-3/8"	11/16-16	M14x1.5	36.0	25	19	19	0.080
6890-16-09	8-10	5/16"-3/8"	11/16-16	M16x1.5	38.0	25	19	22	0.085
6890-18-11	12	1/2"	13/16-16	M18x1.5	41.0	28	19	24	0.200
6890-22-13	14-16	5/8"	1-14	M22x1.5	50.0	33.5	27	27	0.280
6890-27-14	18-20	3/4"	1.3/16-12	M27x2	55.0	37.5	27	32	0.530
6890-33-15	22-25	1"	1.7/16-12	M33x2	59.0	41.5	36	41	0.650
6890-42-21	28-32	1.1/4"	1.11/16-12	M42x2	62.0	44.5	41	50	0.730
6890-48-32	35-38	1.1/2"	2-12	M48x2	68.0	49	50	55	0.890

## Terminale a T orientabile laterale M/M ORFS-METRICO (ISO 6149)

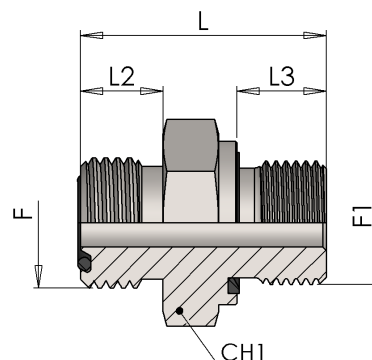
SDRT



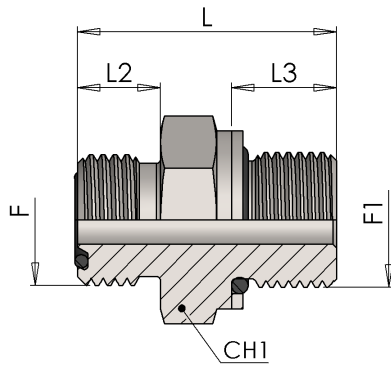
Part number	Dimensions								Weight kg/unit
	Ø		Thread		L	L1	CH1	CH2	
	tube mm	tube inch	F	F1					
6880-12-06	6	1/4"	9/16-18	M12x1.5	33.0	21	14	17	0.066
6880-14-09	8-10	5/16"-3/8"	11/16-16	M14x1.5	36.0	25	19	19	0.080
6880-16-09	8-10	5/16"-3/8"	11/16-16	M16x1.5	38.0	25	19	22	0.085
6880-18-11	12	1/2"	13/16-16	M18x1.5	41.0	28	19	24	0.200
6880-22-13	14-16	5/8"	1-14	M22x1.5	50.0	33.5	27	27	0.280
6880-27-14	18-20	3/4"	1.3/16-12	M27x2	55.0	37.5	27	32	0.530
6880-33-15	22-25	1"	1.7/16-12	M33x2	59.0	41.5	36	41	0.650
6880-42-21	28-32	1.1/4"	1.11/16-12	M42x2	62.0	44.5	41	50	0.730
6880-48-32	35-38	1.1/2"	2-12	M48x2	68.0	49	50	55	0.890

## Terminale dritto M/M ORFS-METRICO (Form E ISO 9974-2)

### SDS



Part number	Dimensions								Weight kg/unit
	Ø		Thread						
	tube mm	tube inch	F	F1	L	L2	L3	CH1	
6905-10-06	6	1/4"	9/16-18	M10x1	25.0	10	8	17	0.020
6905-12-06	6	1/4"	9/16-18	M12x1.5	29.0	10	12	17	0.024
6905-12-09	8-10	5/16"-3/8"	11/16-16	M12x1.5	31.5	11	12	19	0.040
6905-14-06	6	1/4"	9/16-18	M14x1.5	30.5	10	12	19	0.030
6905-14-09	8-10	5/16"-3/8"	11/16-16	M14x1.5	31.5	11	12	19	0.043
6905-16-09	8-10	5/16"-3/8"	11/16-16	M16x1.5	31.5	11	12	22	0.043
6905-16-11	12	1/2"	13/16-16	M16x1.5	33.5	13	12	22	0.058
6905-18-11	12	1/2"	13/16-16	M18x1.5	33.5	13	12	24	0.050
6905-18-13	14-16	5/8"	1-14	M18x1.5	37.5	15.5	12	27	0.120
6905-22-13	14-16	5/8"	1-14	M22x1.5	39.5	15.5	14	27	0.127
6905-27-14	18-20	3/4"	1.3/16-12	M27x2	45.0	17	16	32	0.187
6905-33-15	22-25	1"	1.7/16-12	M33x2	48.0	17.5	18	41	0.270
6905-42-21	28-32	1.1/4"	1.11/16-12	M42x2	51.5	17.5	20	50	0.390
6905-48-32	35-38	1.1/2"	2-12	M48x2	55.5	17.5	22	55	0.412



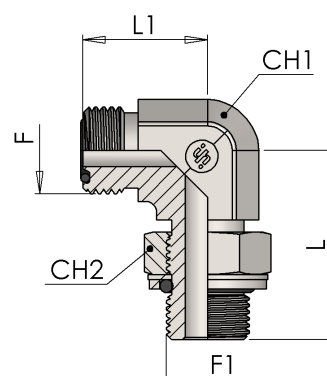
## Terminale dritto M/M ORFS-METRICO con o-ring ed anello

SDS

Part number	Dimensions								Weight kg/unit
	Ø		Thread						
	tube mm	tube inch	F	F1	L	L2	L3	CH1	
6900-10-06	6	1/4"	9/16-18	M10x1	26.0	10	9	17	0,02
6900-12-06	6	1/4"	9/16-18	M12x1,5	28.5	10	11.5	17	0,024
6900-14-09	8-10	5/16"-3/8"	11/16-16	M14x1,5	30.5	11	11.5	19	0,043
6900-16-09	8-10	5/16"-3/8"	11/16-16	M16x1,5	33.0	11	13	22	0,043
6900-18-11	12	1/2"	13/16-16	M18x1,5	36.0	13	13.5	24	0,055
6900-22-13	14-16	5/8"	1-14	M22x1,5	40.5	15.5	15	27	0,127
6900-27-14	18-20	3/4"	1.3/16-12	M27x2	47.5	17	18.5	32	0,187
6900-33-15	22-25	1"	1.7/16-12	M33x2	50.0	17.5	18.5	41	0,27
6900-42-21	28-32	1.1/4"	1.11/16-12	M42x2	52.5	17.5	19	50	0,39
6900-48-32	35-38	1.1/2"	2-12	M48x2	55.0	17.5	21.5	55	0,412

**Curva Orientabile 90° M/M  
ORFS-METRICO  
con o-ring ed anello**

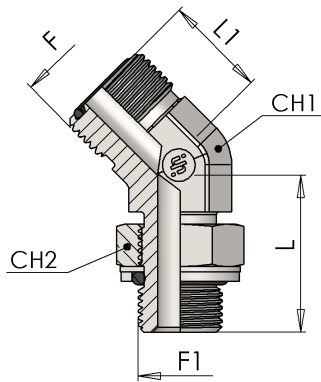
**SDE**



Part number	Dimensions								Weight kg/unit
	Ø		Thread						
	tube mm	tube inch	F	F1	L	L1	CH1	CH2	
6320-10-06	6	1/4"	9/16-18	M10X1	30.0	21	14	14	0,038
6320-12-06	6	1/4"	9/16-18	M12X1.5	33.0	21	14	17	0,044
6320-14-09	8-10	5/16"-3/8"	11/16-16	M14X1.5	36.0	25	19	19	0,075
6320-16-09	8-10	5/16"-3/8"	11/16-16	M16X1.5	38.0	25	19	22	0,082
6320-16-11	12	1/2"	13/16-16	M16X1.5	38.0	28	19	22	0,1
6320-18-11	12	1/2"	13/16-16	M18X1.5	41.0	28	19	24	0,11
6320-18-13	14-16	5/8"	1-14	M18X1.5	45.5	33.5	27	24	0,16
6320-22-13	14-16	5/8"	1-14	M22X1.5	50.0	33.5	27	27	0,19
6320-22-14	18-20	3/4"	1.3/16-12	M22X1.5	50.0	37.5	27	27	0,205
6320-27-14	18-20	3/4"	1.3/16-12	M27X2	55.0	37.5	27	32	0,235
6320-27-15	22-25	1"	1.7/16-12	M27X2	57.0	41.5	36	32	0,27
6320-33-15	22-25	1"	1.7/16-12	M33X2	59.0	41.5	36	41	0,3
6320-42-21	28-32	1.1/4"	1.11/16-12	M42X2	62.0	44.5	41	50	0,445
6320-48-32	35-38	1.1/2"	2-12	M48X2	68.0	49	50	55	0,57

## Curva Orientabile 45° M/M ORFS-METRICO con o-ring ed anello

SDE45

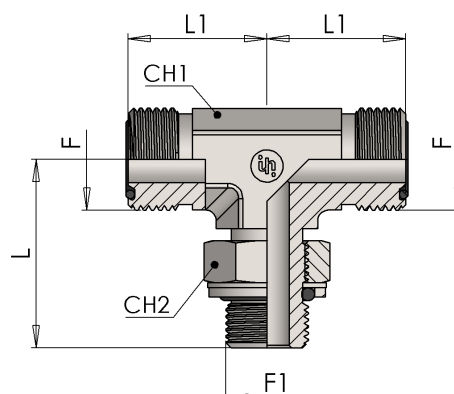


Part number	Dimensions								Weight kg/unit
	Ø		Thread		L	L1	CH1	CH2	
	tube mm	tube inch	F	F1	L	L1	CH1	CH2	
6270-10-06	6	1/4"	9/16-18	M10X1	28.0	18	14	14	0,038
6270-12-06	6	1/4"	9/16-18	M12X1.5	30.0	18	14	17	0,044
6270-14-09	8-10	5/16"-3/8"	11/16-16	M14X1.5	32.0	19.5	19	19	0,075
6270-16-09	8-10	5/16"-3/8"	11/16-16	M16X1.5	34.0	19.5	19	22	0,082
6270-18-11	12	1/2"	13/16-16	M18X1.5	37.0	22	19	24	0,11
6270-18-13	14-16	5/8"	1-14	M18X1.5	40.0	26	27	24	0,16
6270-22-13	14-16	5/8"	1-14	M22X1.5	44.0	26	27	27	0,19
6270-27-14	18-20	3/4"	1.3/16-12	M27X2	50.0	27	27	32	0,235
6270-33-15	22-25	1"	1.7/16-12	M33X2	52.5	30	36	41	0,3
6270-42-21	28-32	1.1/4"	1.11/16-12	M42X2	54.0	32	41	50	0,445



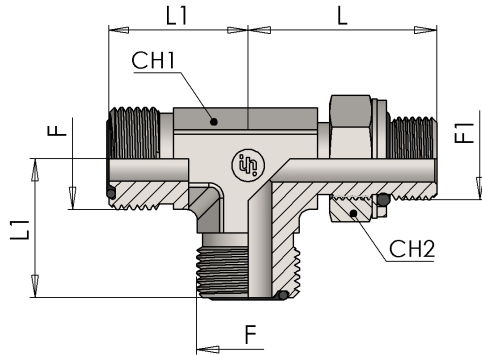
## Terminale a T orientabile centrale M/M ORFS-METRICO con o-ring ed anello

SDBT



Part number	Dimensions								Weight kg/unit
	Ø		Thread						
	tube mm	tube inch	F	F1	L	L1	CH1	CH2	
6420-12-06	6	1/4"	9/16-18	M12X1.5	33.0	21	14	17	0,066
6420-14-09	8-10	5/16"-3/8"	11/16-16	M14X1.5	36.0	25	19	19	0,097
6420-16-09	8-10	5/16"-3/8"	11/16-16	M16X1.5	38.0	25	19	22	0,131
6420-18-11	12	1/2"	13/16-16	M18X1.5	41.0	28	19	24	0,187
6420-22-13	14-16	5/8"	1-14	M22X1.5	50.0	33.5	27	27	0,283
6420-27-14	18-20	3/4"	1.3/16-12	M27X2	55.0	37.5	27	32	0,549
6420-33-15	22-25	1"	1.7/16-12	M33X2	59.0	41.5	36	41	0,565
6420-42-21	28-32	1.1/4"	1.11/16-12	M42X2	62.0	44.5	41	50	0,824
6420-48-32	35-38	1.1/2"	2-12	M48X2	68.0	49	50	55	0,94

## Terminale a T orientabile laterale M/M ORFS-METRICO con o-ring ed anello

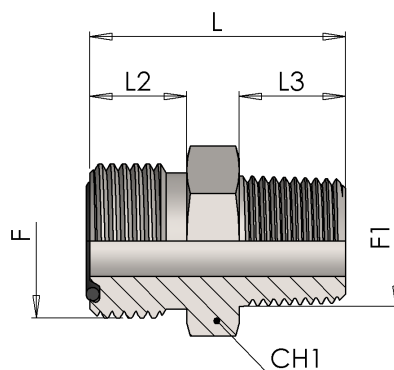


**SDRT**

Part number	Dimensions								Weight kg/unit
	Ø		Thread						
	tube mm	tube inch	F	F1	L	L1	CH1	CH2	
6470-12-06	6	1/4"	9/16-18	M12X1.5	33.0	21	14	17	0,066
6470-14-09	8-10	5/16"-3/8"	11/16-16	M14X1.5	36.0	25	19	19	0,097
6470-16-09	8-10	5/16"-3/8"	11/16-16	M16X1.5	38.0	25	19	22	0,131
6470-18-11	12	1/2"	13/16-16	M18X1.5	41.0	28	19	24	0,2
6470-22-13	14-16	5/8"	1-14	M22X1.5	50.0	33.5	27	27	0,283
6470-27-14	18-20	3/4"	1.3/16-12	M27X2	55.0	37.5	27	32	0,549
6470-33-15	22-25	1"	1.7/16-12	M33X2	59.0	41.5	36	41	0,652
6470-42-21	28-32	1.1/4"	1.11/16-12	M42X2	62.0	44.5	41	50	0,824
6470-48-32	35-38	1.1/2"	2-12	M48X2	68.0	49	50	55	0,94

## Terminale dritto M/M ORFS-NPT

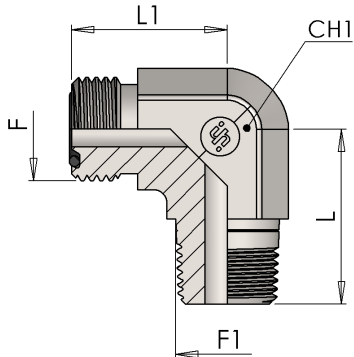
### SDS



Part number	Dimensions								Weight kg/unit
	Ø		Thread						
	tube mm	tube inch	F	F1	L	L2	L3	CH1	
6830-02-06	6	1/4"	9/16-18	1/8-27 NPT	27.0	10	10	17	0,026
6830-04-06	6	1/4"	9/16-18	1/4-18 NPT	33.0	10	14.5	17	0,034
6830-04-09	8-10	5/16"-3/8"	11/16-16	1/4-18 NPT	34.0	11	14.5	19	0,039
6830-06-06	6	1/4"	9/16-18	3/8-18 NPT	33.0	10	14.5	19	0,047
6830-06-09	8-10	5/16"-3/8"	11/16-16	3/8-18 NPT	34.0	11	14.5	19	0,052
6830-06-11	12	1/2"	13/16-16	3/8-18 NPT	37.0	13	14.5	22	0,083
6830-08-09	8-10	5/16"-3/8"	11/16-16	1/2-14 NPT	35.0	11	19	22	0,082
6830-08-11	12	1/2"	13/16-16	1/2-14 NPT	42.0	13	19	22	0,084
6830-08-13	14-16	5/8"	1-14	1/2-14 NPT	44.5	15.5	19	27	0,115
6830-08-14	18-20	3/4"	1.3/16-12	1/2-14 NPT	48.0	17	19	32	0,165
6830-12-11	8-10	5/16"-3/8"	13/16-16	3/4-14 NPT	45.0	13	19	27	0,166
6830-12-13	14-16	5/8"	1-14	3/4-14 NPT	46.5	15.5	19	27	0,138
6830-12-14	18-20	3/4"	1.3/16-12	3/4-14 NPT	48.0	17	19	32	0,179
6830-12-15	22-25	1"	1.7/16-12	3/4-14 NPT	49.0	17.5	19	41	0,238
6830-16-14	18-20	3/4"	1.3/16-12	1-11.1/2 NPT	53.5	17	24	36	0,225
6830-16-15	22-25	1"	1.7/16-12	1-11.1/2 NPT	54.0	17.5	24	41	0,271
6830-20-21	28-32	1.1/4"	1.11/16-12	1.1/4-1.1/2 NPT	56.0	17.5	24.5	46	0,424
6830-24-32	35-38	1.1/2"	2-12	1.1/2-11.1/2 NPT	59.0	17.5	25.5	55	0,534

## Terminale a 90° M/M ORFS-NPT

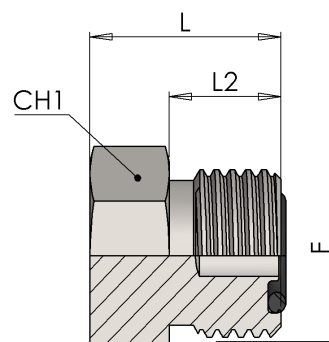
SDE



Part number	Dimensions							Weight kg/unit
	Ø		Thread		L	L1	CH1	
	tube mm	tube inch	F	F1				
6230-02-06	6	1/4"	9/16-18	1/8-27 NPT	21.0	21	14	0.040
6230-04-06	6	1/4"	9/16-18	1/4-18 NPT	27.5	21	14	0.050
6230-06-09	8-10	5/16"-3/8"	11/16-16	3/8-18 NPT	31.0	25	19	0.080
6230-06-11	12	1/2"	13/16-16	3/8-18 NPT	31.0	28	19	0.090
6230-08-11	12	1/2"	13/16-16	1/2-14 NPT	37.0	28	22	0.125
6230-08-13	14-16	5/8"	1-14	1/2-14 NPT	36.0	33.5	27	0.155
6230-12-14	18-20	3/4"	1.3/16-12	3/4-14 NPT	40.5	37.5	27	0.205
6230-16-15	22-25	1"	1.7/16-12	1-11.1/2 NPT	50.0	41.5	36	0.385
6230-20-21	28-32	1.1/4"	1.11/16-12	1.1/4-1.1/2 NPT	60.5	44.5	41	0.470
6230-24-32	35-38	1.1/2"	2-12	1.1/2-11.1/2 NPT	67.0	49	50	0.605

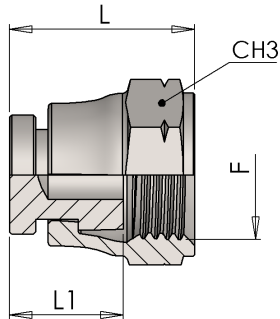
## Tappo maschio ORFS (ISO 8434-3)

PL



Part number	Dimensions						Weight kg/unit
	Ø		Thread				
	tube mm	tube inch	F	L	L2	CH1	
6600-06	6	1/4"	9/16-18	16.5	10	17	0,018
6600-09	8-10	5/16"-3/8"	11/16-16	19.0	11	19	0,034
6600-11	12	1/2"	13/16-16	22.0	13	22	0,045
6600-13	14-16	5/8"	1-14	26.0	15.5	27	0,091
6600-14	18-20	3/4"	1.3/16-12	27.5	17	32	0,138
6600-15	22-25	1"	1.7/16-12	28.0	17.5	41	0,203
6600-21	28-32	1.1/4"	1.11/16-12	28.0	17.5	46	0,266
6600-32	35-38	1.1/2"	2-12	28.0	17.5	55	0,369

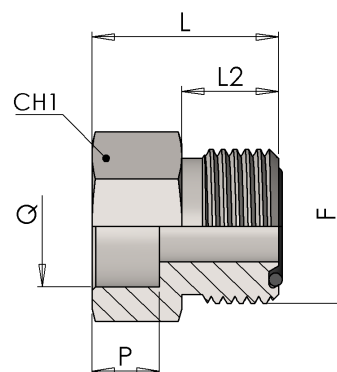
**Tappo femmina girevole ORFS  
(ISO 8434-3)**



**CP**

Part number	Dimensions						Weight kg/unit
	Ø		Thread				
	tube mm	tube inch	F	L	L1	CH3	
6610-06	6	1/4"	9/16-18	17.0	9	17	0,0021
6610-09	8-10	5/16"-3/8"	11/16-16	19.0	10.5	22	0,0043
6610-11	12	1/2"	13/16-16	22.0	12	24	0,0055
6610-13	14-16	5/8"	1-14	26.0	13.5	30	0,0105
6610-14	18-20	3/4"	1.3/16-12	28.5	15	36	0,0165
6610-15	22-25	1"	1.7/16-12	29.5	16	41	0,0215
6610-21	30-32	1.1/4"	1.11/16-12	29.5	16	50	0,0325
6610-32	35-38	1.1/2"	2-12	29.5	16	60	0,0455

## Terminale dritto maschio ORFS a saldare con tasca (ISO 8434-3)

**BRS**


Part number	Dimensions								Weight kg/unit
	Ø		Thread						
	tube mm	tube inch	F	Q	P	L	L2	CH1	
MO-06-10	6	1/4"	9/16-18	10	8.5	22.0	10	17	0.023
MO-09-10	8-10	5/16"-3/8"	11/16-16	10	8.5	23.0	11	19	0.036
MO-09-12	8-10	5/16"-3/8"	11/16-16	12	8.5	23.0	11	19	0.030
MO-11-12	12	1/2"	13/16-16	12	8.5	24.5	13	22	0.044
MO-11-16	12	1/2"	13/16-16	16	9	25.0	13	22	0.042
MO-13-16	14-16	5/8"	1-14	16	9	28.0	15.5	27	0.104
MO-14-20	18-20	3/4"	1.3/16-12	20	12.5	33.5	17	32	0.144
MO-14-25	18-20	3/4"	1.3/16-12	25	14	35.0	17	32	0.220
MO-15-25	22-25	1"	1.7/16-12	25	14	38.5	17.5	41	0.225
MO-15-30	22-25	1"	1.7/16-12	30	14	38.5	17.5	41	0.276
MO-21-32	28-32	1.1/4"	1.11/16-12	32	14	38.5	17.5	46	0.278
MO-21-38	28-32	1.1/4"	1.11/16-12	38	14	38.5	17.5	50	0.371

## Indice

6010 .....	pag 6
6015 .....	pag 7
6000.....	pag 8
6300 .....	pag 9
6350 .....	pag 10
6550 .....	pag 11
6120 .....	pag 12
6036 .....	pag 13
6850 .....	pag 14
6060 .....	pag 15
6056 .....	pag 16
6205 .....	pag 17
6255 .....	pag 18
6620 .....	pag 19
6630 .....	pag 20
6050 .....	pag 21
6510 .....	pag 22
0107 .....	pag 23
6150 .....	pag 24
6100 .....	pag 25
6200 .....	pag 26
6250 .....	pag 27
6400 .....	pag 28
6450 .....	pag 29
6850 .....	pag 30
6800 .....	pag 31
6215 .....	pag 32
6260 .....	pag 33
6460 .....	pag 34
6410 .....	pag 35
6840 .....	pag 36
6870 .....	pag 37
6860 .....	pag 38
6890 .....	pag 39
6880 .....	pag 40



## Indice

6905 .....	pag 41
6900 .....	pag 42
6320 .....	pag 43
6270 .....	pag 44
6420 .....	pag 45
6470 .....	pag 46
6830 .....	pag 47
6230 .....	pag 48
6600 .....	pag 49
6610 .....	pag 50
MO .....	pag 51





# INTERPUMP

FLUID SOLUTIONS 

Powered by I.M.M. Hydraulics



**I.M.M. Hydraulics Spa**  
[interpumpfluidsolutions.com](http://interpumpfluidsolutions.com)

Via Italia, 49-51  
66041 - Atessa (Ch) - Italy  
T. +39 (0) 0872 889225  
F. +39 (0) 0872 889226



CAT-IFS-A