

Raccordi bassa pressione





P050



Femmina BSP cono 60° - UniLock

143

P150



Curva 90° BSP cono 60° - UniLock

143

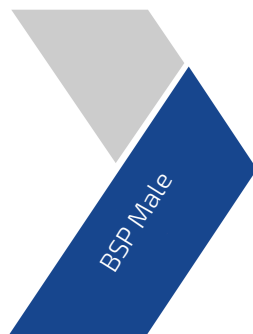


BA



Boccola in Acciaio

144



0345B



Maschio BSP - Sede Piana

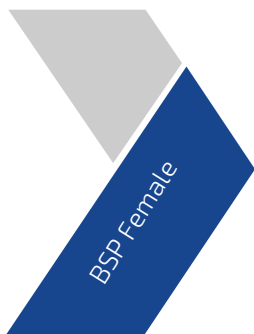
145

0350B



Maschio BSP svas. 60°

146



0051B



Femmina BSP cono 60°

147

0151B



Curva 90° BSP cono 60°

148

0251B



Curva 45° BSP cono 60°

149



1350B

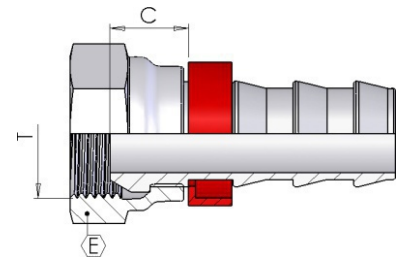


Occhio a Pressare Metrico

150

P050

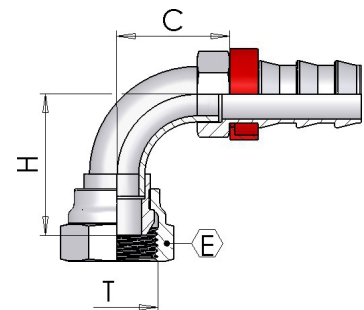
Femmina BSP cono 60° - UniLock



Product number	hose I.D.		Dimension			
	in	mm	dash size	Thread T	hex E	Cut-off C
P050-04-04	1/4	6.4	04	1/4-19	17	10
P050-06-06	3/8	9.5	06	3/8-19	19	10
P050-08-08	1/2	12.7	08	1/2-14	27	13
P050-12-12	3/4	19	12	3/4-14	32	16
P050-16-16	1	25.4	16	1-11	38	15

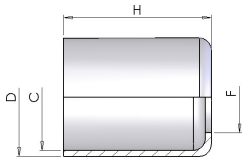
P150

Curva 90° BSP cono 60° - UniLock



Product number	hose I.D.		Dimension				
	in	mm	dash size	Thread T	hex E	drop H	Cut-off C
P150-04-04	1/4	6.4	04	1/4-19	17	23	21
P150-06-06	3/8	9.5	06	3/8-19	19	29	31
P150-08-08	1/2	12.7	08	1/2-14	27	36	38
P150-12-12	3/4	19	12	3/4-14	32	65	54
P150-16-16	1	25.4	16	1-11	38	55	44

None

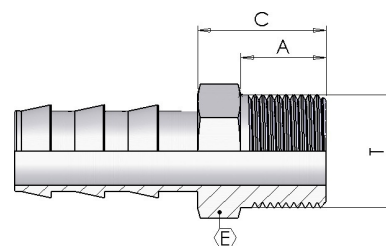
BA**Boccola in Acciaio**

Product number	Dimension			
	D	C	F	H
BA-021-024	24	21	16	31
BA-024-027	27	24	18	31
BA-027-030	30	27	20	34
BA-029-032	32	29	21	35
BA-035-038	38	35	27	36
BA-037-040	40	37	28	38
BA-039-042	42	39	29	40
BA-046-050	50	46	34	46
BA-085-090	90	85	68	63
BA-095-100	100	95	78	68

None

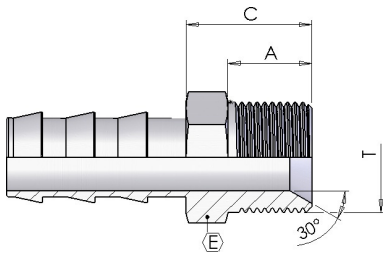
0345B

Maschio BSP - Sede Piana



Product number	hose I.D.		Dimensions		Dimension		
	in	mm	DN	Thread T	Cut-off C	A	hex E
0345B04-02	1/4	6.4	06	1/8	16	10	14
0345B04-04	1/4	6.4	06	1/4	16	10	14
0345B05-04	5/16	7.9	08	1/4	16	10	14
0345B05-06	5/16	7.9	08	3/8	19	12	17
0345B06-04	3/8	9.5	10	1/4	16	10	17
0345B06-06	3/8	9.5	10	3/8	19	12	17
0345B06-08	3/8	9.5	10	1/2	21	13	22
0345B08-06	1/2	12.7	13	3/8	19	12	19
0345B08-08	1/2	12.7	13	1/2	21	13	22
0345B10-06	5/8	15.9	16	3/8	19	12	19
0345B10-08	5/8	15.9	16	1/2	21	13	22
0345B10-12	5/8	15.9	16	3/4	21	15	27
0345B12-08	3/4	19	19	1/2	21	13	24
0345B12-12	3/4	19	19	3/4	23	15	27
0345B12-16	3/4	19	19	1	25	16	34
0345B16-12	1	25.4	25	3/4	23	15	30
0345B16-16	1	25.4	25	1	25	16	34
0345B20-12	1.1/4	31.8	32	3/4	23	15	34
0345B20-16	1.1/4	31.8	32	1	26	16	36
0345B20-20	1.1/4	31.8	32	1.1/4	27	17	42
0345B24-20	1.1/2	38.1	38	1.1/4	27	17	42
0345B24-24	1.1/2	38.1	38	1.1/2	29	18	50
0345B32-32	2	50.8	50	2	31	19	60
0345B40-40	2.1/2	63.5	70	2.1/2	36	23	75

0350B

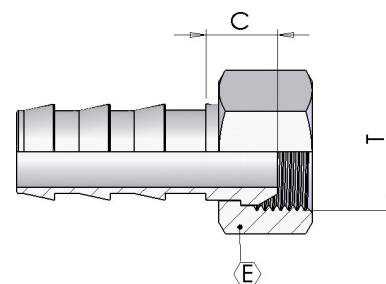


Maschio BSP svas. 60°

Product number	hose I.D.		Dimensions		Dimension		
	in	mm	DN	Thread T	Cut-off C	A	hex E
0350B04-02	1/4	6.4	06	1/8	14	9	14
0350B04-04	1/4	6.4	06	1/4	16	10	19
0350B05-04	5/16	7.9	08	1/4	16	10	19
0350B06-04	3/8	9.5	10	1/4	16	10	19
0350B06-06	3/8	9.5	10	3/8	18	12	22

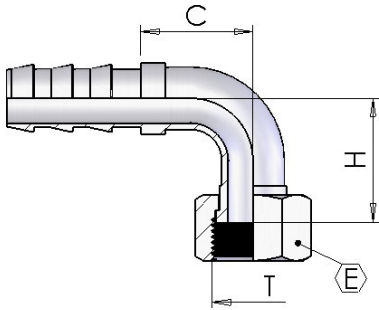
0051B

Femmina BSP cono 60°



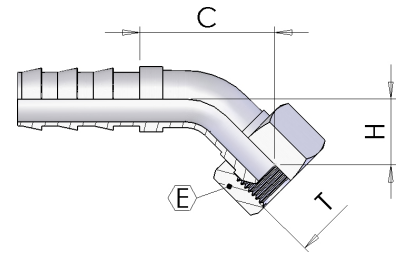
Product number	hose I.D.		Dimensions DN	Dimension		
	in	mm		Thread T	Cut-off C	hex E
0051B03-02	3/16	4.8	05	1/8	9	14
0051B04-02	1/4	6.4	06	1/8	9	14
0051B04-04	1/4	6.4	06	1/4	10	17
0051B05-04	5/16	7.9	08	1/4	10	17
0051B05-06	5/16	7.9	08	3/8	11	19
0051B06-06	3/8	9.5	10	3/8	11	19
0051B06-08	3/8	9.5	10	1/2	12	24
0051B08-06	1/2	12.7	13	3/8	11	19
0051B08-08	1/2	12.7	13	1/2	12	24
0051B10-08	5/8	15.9	16	1/2	12	24
0051B10-12	5/8	15.9	16	3/4	14	30
0051B12-12	3/4	19	19	3/4	14	30
0051B12-16	3/4	19	19	1	15	38
0051B16-16	1	25.4	25	1	16	38
0051B20-20	1.1/4	31.8	32	1.1/4	16	46
0051B20-24	1.1/4	31.8	32	1.1/2	18	55
0051B24-24	1.1/2	38.1	38	1.1/2	18	55
0051B32-32	2	50.8	50	2	19	65
0051B40-40	2.1/2	63.5	60	2.1/2	24	85
0051B48-48	3	76.2	70	3	26	100

0151B



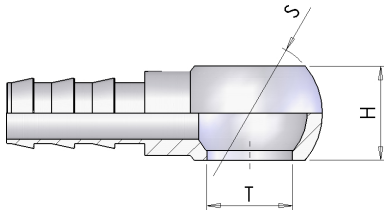
Curva 90° BSP cono 60°

Product number	hose I.D.		Dimensions DN	Dimension			
	in	mm		Thread T	Cut-off C	drop H	hex E
0151B04-04	1/4	6.4	06	1/4	28	25	17
0151B05-04	5/16	7.9	08	1/4	28	25	17
0151B05-06	5/16	7.9	08	3/8	32	32	19
0151B06-06	3/8	9.5	10	3/8	33	33	19
0151B06-08	3/8	9.5	10	1/2	38	35	24
0151B08-06	1/2	12.7	13	3/8	38	35	19
0151B08-08	1/2	12.7	13	1/2	43	41	24
0151B08-12	1/2	12.7	13	3/4	40	45	30
0151B10-08	5/8	15.9	16	1/2	44	41	24
0151B10-12	5/8	15.9	16	3/4	40	45	30
0151B12-12	3/4	19	19	3/4	51	49	30
0151B12-16	3/4	19	19	1	45	49	38
0151B16-12	1	25.4	25	3/4	45	57	32
0151B16-16	1	25.4	25	1	60	58	38
0151B16-20	1	25.4	25	1.1/4	56	64	46
0151B20-20	1.1/4	31.8	32	1.1/4	70	66	46
0151B24-24	1.1/2	38.1	38	1.1/2	70	75	55
0151B32-32	2	50.8	50	2	66	70	65
0151B40-40	2.1/2	63.5	60	2.1/2	82	85	85

0251B**Curva 45° BSP cono 60°**

Product number	hose I.D.		Dimensions DN	Dimension			
	in	mm		Thread T	Cut-off C	drop H	hex E
0251B04-04	1/4	6.4	06	1/4	44	17	17
0251B05-06	5/16	7.9	08	3/8	50	19	19
0251B06-06	3/8	9.5	10	3/8	52	20	19
0251B06-08	3/8	9.5	10	1/2	54	23	24
0251B08-06	1/2	12.7	13	3/8	54	23	19
0251B08-08	1/2	12.7	13	1/2	60	25	24
0251B10-12	5/8	15.9	16	3/4	65	28	30
0251B12-12	3/4	19	19	3/4	65	28	30
0251B12-16	3/4	19	19	1	55	30	38
0251B16-16	1	25.4	25	1	74	30	38
0251B20-20	1.1/4	31.8	32	1.1/4	72	35	46
0251B24-24	1.1/2	38.1	38	1.1/2	72	35	55
0251B32-32	2	50.8	50	2	90	50	65

1350B



Occhio a Pressare Metrico

Product number	hose I.D.		Dimensions DN	Dimension		
	in	mm		hole T	H	S
1350B04-10	1/4	6.4	06	M10-1	11	17
1350B04-12	1/4	6.4	06	M12-1,5	12	20
1350B04-14	1/4	6.4	06	M14-1,5	14	24
1350B05-12	5/16	7.9	08	M12-1,5	12	20
1350B05-14	5/16	7.9	08	M14-1,5	14	24
1350B05-16	5/16	7.9	08	M16-1,5	19	28
1350B06-16	3/8	9.5	10	M16-1,5	19	28
1350B06-18	3/8	9.5	10	M18-1,5	20	32
1350B08-18	1/2	12.7	13	M18-1,5	20	32
1350B08-22	1/2	12.7	13	M22-1,5	23	36
1350B10-18	5/8	15.9	16	M18-1,5	20	32