

Inserto N

in



**0NI4**



Boccola a Pressare 4WS  
(non skive)

**90**

**0NI6**



Boccola a Pressare (non  
skive)

**90**

**0370N**



Maschio NPTF svas. 60°

**91**

**0350N**



Maschio BSP svas. 60°

**91**

**0050N 0051N**



Femmina BSP cono 60°

**92**

**0150N 0151N**



Curva BSP 90° cono 60°

**93**

**0250N 0251N**



Curva BSP 45° cono 60°

**94**

**0500N**



Maschio Metrico svas.  
24° Serie Leggera

**95**

**0085N**



Femmina Metrica cono  
24° Serie Leggera

**96**

**0185N**



Curva Metrica 90° cono  
24° Serie Leggera

**96**

**0285N**



Curva Metrica 45° cono  
24° Serie Leggera

**97**

**0450N**



Maschio Metrico svas.  
24° Serie Pesante

**97**

**0084N**



Femmina Metrica cono  
24° Serie Pesante

**98**

**0184N**



Curva Metrica 90° cono  
24° Serie Pesante

**98**

**0284N**



Curva Metrica 45° cono  
24° Serie Pesante

**99**

## 0850N



Maschio JIC cono 74°

100

## 0900N 0901N



Femmina JIC svas. 74° -  
Doppio esagono

101

## 0950N 0951N



Curva JIC 90° svas.74°

102

## 095SN



Curva JIC 90° svas.74° -  
ISO SHORT

102

## 1000N 1001N



Curva JIC 45° svas.74°

103

## S350N



Maschio ORFS

104

## S05TN



Femmina ORFS doppio  
esagono

104

## S150N



Curva ORFS 90°

105

## S15SN



Curva ORFS 90° - ISO  
SHORT

105

## S250N



Curva ORFS 45°

106

## 1250N



Flangia Diritta SAE 3000  
PSI

106

## 1050N



Flangia 90° SAE 3000 PSI

107

## 1150N



Flangia 45° SAE 3000 PSI

107

## 1300N



Flangia Diritta SAE 6000  
PSI

108

## 1100N



Flangia 90° SAE 6000 PSI

108

## 1200N



Flangia 45° SAE 6000 PSI

109

**130SN**



Flangia Diritta SUPERCAT

**109**

**110SN**



Flangia 90° SUPERCAT

**110**

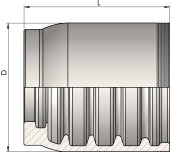
**120SN**



Flangia 45° SUPERCAT

**111**

## ONI4

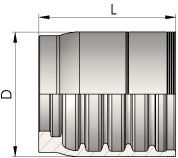


### Boccola a Pressare 4WS (non skive)

Product number	hose I.D.	I.D.	Dimension		skive	valid for
	in	mm	D	L	Length	-
ONI4-06	3/8	9.5	30.5	37	NO	SR-ISO
ONI4-08	1/2	12.7	33,5	37.5	NO	SR-ISO
ONI4-10	5/8	15.9	37.5	46	NO	SR-ISO
ONI4-12	3/4	19	44.5	50.5	NO	SR-ISO
ONI4-16	1	25.4	52.5	59.5	NO	SR-ISO
ONI4-20	1.1/4	31.8	60.5	70	NO	SR-ISO
ONI4-24	1.1/2	38.1	69.5	80	NO	SR-ISO

None

## ONI6



### Boccola a Pressare (non skive)

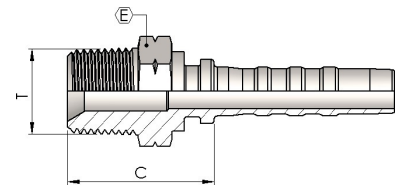
Product number	hose I.D.	I.D.	Dimension		skive	valid for
	in	mm	D	L	Length	-
ONI6-20	1.1/4	31.8	63.5	70	NO	SR-ISO
ONI6-24	1.1/2	38.1	72.5	80	NO	SR-ISO

None

## 0370N

### Maschio NPTF svas. 60°

(AGN)



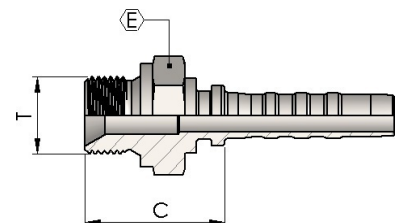
Product number	hose I.D.		Dimension			
	in	mm	dash size	Cut-off C	T	E
0370N06-06	3/8	9.5	06	30	3/8-18	19
0370N06-08	3/8	9.5	06	36	1/2-14	22
0370N08-08	1/2	12.7	08	36	1/2-14	22
0370N12-12	3/4	19	12	39	3/4-14	27
0370N16-16	1	25.4	16	46	1-11.1/2	36
0370N20-20	1.1/4	31.8	20	50	1.1/4-11.1/2	46
0370N24-24	1.1/2	38.1	24	54	1.1/2-11.1/2	50

None

## 0350N

### Maschio BSP svas. 60°

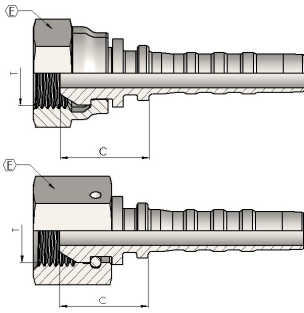
(AGR)



Product number	hose I.D.	Dimension				I.D.
	in	dash size	mm	T	E	Cut-off C
0350N06-06	3/8	06	9.5	3/8-19	22	31
0350N06-08	3/8	06	9.5	1/2-14	27	34
0350N08-08	1/2	08	12.7	1/2-14	27	34
0350N10-10	5/8	10	15.9	5/8-14	30	37
0350N10-12	5/8	10	15.9	3/4-14	32	37
0350N12-12	3/4	12	19	3/4-14	32	38
0350N12-16	3/4	12	19	1-11	41	41
0350N16-16	1	16	25.4	1-11	41	42
0350N16-20	1	16	25.4	1.1/4-11	50	46
0350N20-20	1.1/4	20	31.8	1.1/4-11	50	48
0350N24-24	1.1/2	24	38.1	1.1/2-11	55	51

None

## 0050N 0051N

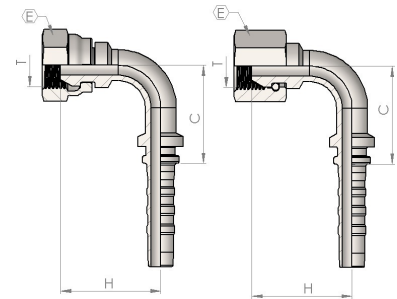


**Femmina BSP cono 60°**

**(DKR)**

Product number	hose I.D.		Dimension			
	in	mm	dash size	Thread T	hex E	Cut-off C
0051N06-06	3/8	9.5	06	3/8-19	22	21
0051N06-08	3/8	9.5	06	1/2-14	23	24
0051N08-08	1/2	12.7	08	1/2-14	27	24
0051N10-10	5/8	15.9	10	5/8-14	30	22
0050N10-12	5/8	15.9	10	3/4-14	32	27
0050N12-12	3/4	19	12	3/4-14	32	27
0050N12-16	3/4	19	12	1-11	41	28
0050N16-16	1	25.4	16	1-11	41	30
0050N20-20	1.1/4	31.8	20	1.1/4-11	50	34
0050N20-24	1.1/4	31.8	20	1.1/2-11	55	36
0050N24-24	1.1/2	38.1	24	1.1/2-11	55	39

None

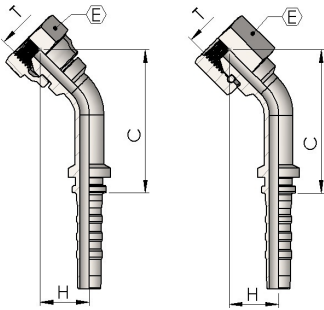
**0150N 0151N****Curva BSP 90° cono 60°**

Product number	hose I.D.		dash size	Dimension			
	in	mm		T	E	H	Cut-off C
0151N06-06	3/8	9.5	06	3/8-19	22	35	33
0151N06-08	3/8	9.5	06	1/2-14	27	40	31
0151N08-08	1/2	12.7	08	1/2-14	27	41	39
0151N10-10	5/8	15.9	10	5/8-14	30	43	44
0150N10-12	5/8	15.9	10	3/4-14	32	50	45
0150N12-12	3/4	19	12	3/4-14	32	57	58
0150N16-16	1	25.4	16	1-11	41	70	75
0150N16-20	1	25.4	16	1.1/4-11	50	76	77
0150N20-20	1.1/4	31.8	20	1.1/4-11	50	84	98
0150N24-24	1.1/2	38.1	24	1.1/2-11	55	104	110

None



## 0250N 0251N



**Curva BSP 45° cono 60°**

**(DKR-45°)**

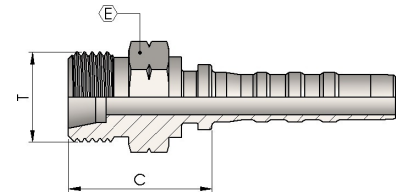
Product number	hose I.D.		Dimension				
	in	mm	dash size	T	E	H	C
0251N06-06	3/8	9.5	06	3/8-19	22	19	54
0251N06-08	3/8	9.5	06	1/2-14	27	21	57
0251N08-08	1/2	12.7	08	1/2-14	27	24	66
0251N10-10	5/8	15.9	10	5/8-14	30	23	70
0250N10-12	5/8	15.9	10	3/4-14	32	27	74
0250N12-12	3/4	19	12	3/4-14	32	28	88
0250N16-16	1	25.4	16	1-11	41	38	116
0250N16-20	1	25.4	16	1.1/4-11	50	33	70
0250N20-20	1.1/4	31.8	20	1.1/4-11	50	41	103
0250N24-24	1.1/2	38.1	24	1.1/2-11	55	54	172

None

## 0500N

## Maschio Metrico svas. 24° Serie Leggera

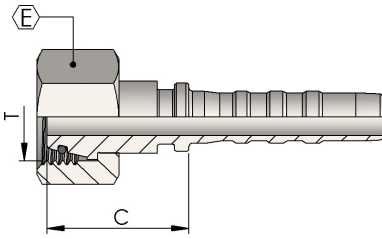
(CEL)



Product number	hose I.D.		Dimension				I.D.	
	in	dash size	mm	T	erm.	E	Cut-off C	
0500N06-16	3/8	06	9.5	M16-1.5	10	17	23	
0500N06-18	3/8	06	9.5	M18-1.5	12	19	24	
0500N06-22	3/8	06	9.5	M22-1.5	15	22	25	
0500N08-18	1/2	08	12.7	M18-1.5	12	19	25	
0500N08-22	1/2	08	12.7	M22-1.5	15	22	26	
0500N08-26	1/2	08	12.7	M26-1.5	18	27	27	
0500N10-22	5/8	10	15.9	M22-1.5	15	22	26	
0500N10-26	5/8	10	15.9	M26-1.5	18	27	27	
0500N10-30	5/8	10	15.9	M30-2	22	30	32	
0500N12-26	3/4	12	19	M26-1.5	18	27	28	
0500N12-30	3/4	12	19	M30-2	22	30	33	
0500N16-36	1	16	25.4	M36-2	28	36	32	
0500N20-45	1.1/4	20	31.8	M45-2	35	46	36	
0500N24-52	1.1/2	24	38.1	M52-2	42	55	38	

None

## 0085N



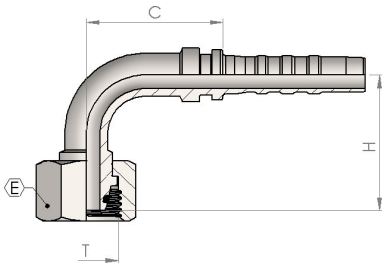
### Femmina Metrica cono 24° Serie Leggera

(DKOL)

Product number	hose I.D.		Dimension					I.D.
	in	mm	dash size	T	erm.	E	Cut-off C	
0085N06-18	3/8	9.5	06	M18-1.5	12	22	27	
0085N08-22	1/2	12.7	08	M22-1.5	15	27	30	
0085N10-26	5/8	15.9	10	M26-1.5	18	32	31	
0085N12-30	3/4	19	12	M30-2	22	36	31	
0085N16-36	1	25.4	16	M36-2	28	41	32	
0085N20-45	1.1/4	31.8	20	M45-2	35	50	43	
0085N24-52	1.1/2	38.1	24	M52-2	42	60	46	

None

## 0185N



### Curva Metrica 90° cono 24° Serie Leggera

(DKOL-90°)

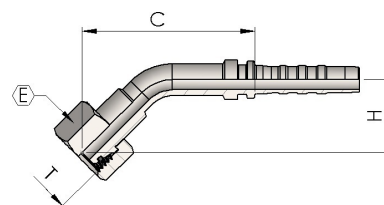
Product number	hose I.D.		Dimension					
	in	mm	dash size	T	erm.	E	H	Cut-off C
0185N06-18	3/8	9.5	06	M18-1.5	12	22	33	34
0185N08-22	1/2	12.7	08	M22-1.5	15	27	41	41
0185N10-26	5/8	15.9	10	M26-1.5	18	32	44	44
0185N12-30	3/4	19	12	M30-2	22	36	52	58
0185N16-36	1	25.4	16	M36-2	28	41	62	72
0185N20-45	1.1/4	31.8	20	M45-2	35	50	73	63
0185N24-52	1.1/2	38.1	24	M52-2	42	60	83	81

None

## 0285N

### Curva Metrica 45° cono 24° Serie Leggera

(DKOL-45°)



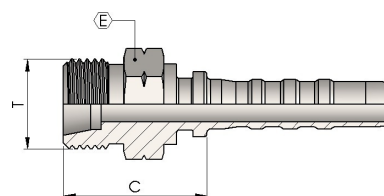
Product number	hose I.D.		dash size	Dimension				
	in	mm		T	erm.	E	H	Cut-off C
0285N06-18	3/8	9.5	06	M18-1.5	12	22	19	52
0285N08-22	1/2	12.7	08	M22-1.5	15	27	21	63
0285N10-26	5/8	15.9	10	M26-1.5	18	32	23	68
0285N16-36	1	25.4	16	M36-2	28	41	29	104
0285N20-45	1.1/4	31.8	20	M45-2	35	50	34	72
0285N24-52	1.1/2	38.1	24	M52-2	42	60	36	85

None

## 0450N

### Maschio Metrico svas. 24° Serie Pesante

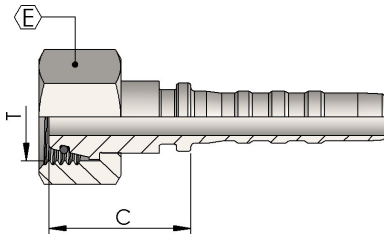
(CES)



Product number	hose I.D.		dash size	Dimension			
	in	mm		T	erm.	E	Cut-off C
0450N06-20	3/8	9.5	06	M20-1.5	12	22	31
0450N08-24	1/2	12.7	08	M24-1.5	16	24	33
0450N10-30	5/8	15.9	10	M30-2	20	30	36
0450N12-30	3/4	19	12	M30-2	20	30	37
0450N12-36	3/4	19	12	M36-2	25	36	39
0450N16-42	1	25.4	16	M42-2	30	46	44
0450N20-52	1.1/4	31.8	20	M52-2	38	55	48
0450N24-52	1.1/2	38.1	24	M52-2	38	55	50

None

## 0084N



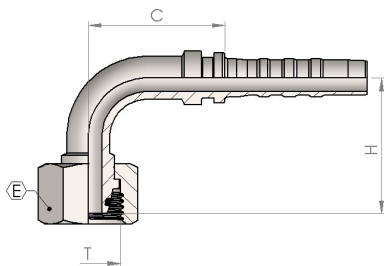
### Femmina Metrica cono 24° Serie Pesante

(DKOS)

Product number	hose I.D.	I.D.	Dimension				
	in	mm	dash size	T	erm.	E	Cut-off C
0084N06-20	3/8	9.5	06	M20-1.5	12	24	25
0084N08-24	1/2	12.7	08	M24-1.5	16	30	29
0084N10-30	5/8	15.9	10	M30-2	20	34	34
0084N12-30	3/4	19	12	M30-2	20	36	36
0084N12-36	3/4	19	12	M36-2	25	46	41
0084N16-36	1	25.4	16	M36-2	25	46	42
0084N16-42	1	25.4	16	M42-2	30	50	44
0084N20-52	1.1/4	31.8	20	M52-2	38	60	46
0084N24-52	1.1/2	38.1	24	M52-2	38	60	52

None

## 0184N

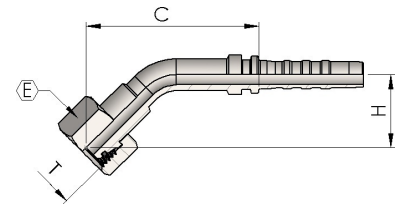


### Curva Metrica 90° cono 24° Serie Pesante

(DKOS-90°)

Product number	hose I.D.	I.D.	Dimension					
	in	mm	dash size	T	erm.	E	H	Cut-off C
0184N06-20	3/8	9.5	06	M20-1.5	12	24	34	34
0184N08-24	1/2	12.7	08	M24-1.5	16	30	41	40
0184N10-30	5/8	15.9	10	M30-2	20	36	50	46
0184N12-30	3/4	19	12	M30-2	20	36	56	58
0184N12-36	3/4	19	12	M36-2	25	46	57	59
0184N16-36	1	25.4	16	M36-2	25	46	67	77
0184N16-42	1	25.4	16	M42-2	30	50	67	72
0184N20-52	1.1/4	31.8	20	M52-2	38	60	82	84
0184N24-52	1.1/2	38.1	24	M52-2	38	60	105	105

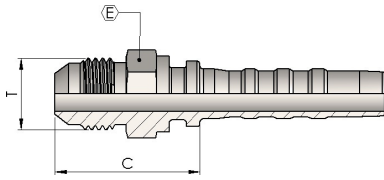
None

**0284N****Curva Metrica 45° cono 24° Serie  
Pesante****(DKOS-45°)**

Product number	hose I.D.		I.D.	Dimension					Cut-off C
	in	mm		dash size	T	erm.	E	H	
0284N06-20	3/8	9.5	06	M20-1.5	12	24	18	53	
0284N08-24	1/2	12.7	08	M24-1.5	16	30	21	63	
0284N10-30	5/8	15.9	10	M30-2	20	36	29	74	
0284N12-30	3/4	19	12	M30-2	20	36	30	87	
0284N12-36	3/4	19	12	M36-2	25	46	29	56	
0284N16-36	1	25.4	16	M36-2	25	46	34	105	
0284N16-42	1	25.4	16	M42-2	30	50	30	85	
0284N20-52	1.1/4	31.8	20	M52-2	38	60	39	105	
0284N24-52	1.1/2	38.1	24	M52-2	38	60	53	129	

None

# 0850N



**Maschio JIC cono 74°**

**(AGJ)**

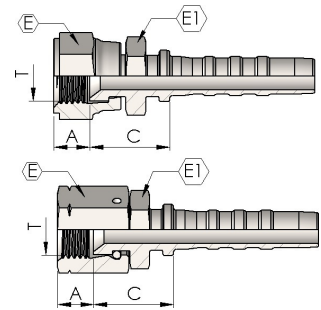
Product number	hose I.D.		I.D.	Dimension		
	in	mm		dash size	T	E
0850N06-06	3/8	9.5	06	9/16-18	15	29
0850N06-08	3/8	9.5	06	3/4-16	19	32
0850N08-08	1/2	12.7	08	3/4-16	19	32
0850N08-10	1/2	12.7	08	7/8-14	24	36
0850N08-12	1/2	12.7	08	1.1/16-12	27	38
0850N10-10	5/8	15.9	10	7/8-14	24	37
0850N12-12	3/4	19	12	1.1/16-12	27	40
0850N16-16	1	25.4	16	1.5/16-12	34	45
0850N20-20	1.1/4	31.8	20	1.5/8-12	42	50
0850N24-24	1.1/2	38.1	24	1.7/8-12	55	52

None

## Femmina JIC svas. 74°- Doppio esagono

(DKJ)

## 0900N 0901N

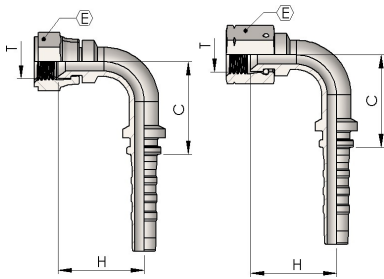


Product number	hose I.D.		Dimension					
	in	mm	dash size	T	E	E1	C	A
0901N06-06	3/8	9.5	06	9/16-18	19	17	26	9
0901N06-08	3/8	9.5	06	3/4-16	24	19	28	10.5
0901N08-08	1/2	12.7	08	3/4-16	24	22	28	10.5
0901N08-10	1/2	12.7	08	7/8-14	27	22	28	13
0900N08-12	1/2	12.7	08	1.1/16-12	32	27	33	13.5
0901N10-10	5/8	15.9	10	7/8-14	27	22	28	13
0900N12-12	3/4	19	12	1.1/16-12	32	27	34	13.5
0900N16-16	1	25.4	16	1.5/16-12	38	36	35	15.5
0900N20-20	1.1/4	31.8	20	1.5/8-12	50	46	42	16.5
0900N24-24	1.1/2	38.1	24	1.7/8-12	55	50	46	19

None



## 0950N 0951N

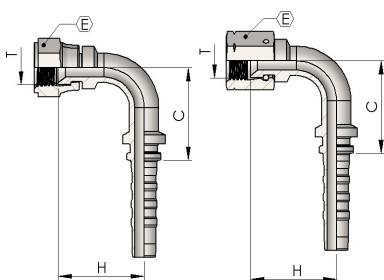


**Curva JIC 90° svas.74°**

Product number	hose I.D.		Dimension				
	in	mm	dash size	T	E	H	C
0951N06-06	3/8	9.5	06	9/16-18	19	32	31
0951N06-08	3/8	9.5	06	3/4-16	24	34	35
0951N08-08	1/2	12.7	08	3/4-16	24	41	41
0951N08-10	1/2	12.7	08	7/8-14	27	40	41
0950N08-12	1/2	12.7	08	1.1/16-12	32	43	39
0950N10-10	5/8	15.9	10	7/8-14	27	45	42
0950N12-12	3/4	19	12	1.1/16-12	32	54	56
0950N16-16	1	25.4	16	1.5/16-12	41	65	70
0950N20-20	1.1/4	31.8	20	1.5/8-12	50	85	82
0950N24-24	1.1/2	38.1	24	1.7/8-12	55	97	104

None

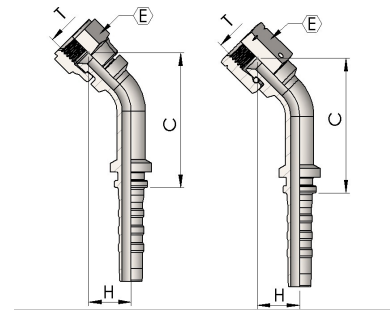
## 0955N



**Curva JIC 90° svas.74° - ISO SHORT**

Product number	hose I.D.		Dimension				
	in	mm	dash size	T	E	H	C
0955N06-06	3/8	9.5	06	9/16-18	19	23	31
0955N08-08	1/2	12.7	08	3/4-16	24	29	41
0955N10-10	5/8	15.9	10	7/8-14	27	32	42
0955N12-12*	3/4	19	12	1.1/16-12	32	48	56

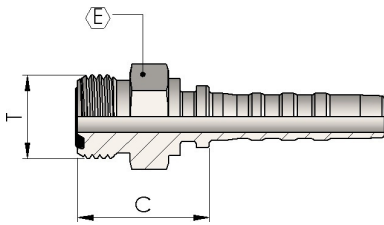
\*Dado Spinato

**1000N 1001N****Curva JIC 45° svas.74°****(DKJ-45°)**

Product number	hose I.D.		Dimension				
	in	mm	dash size	T	E	H	C
1001N06-06	3/8	9.5	06	9/16-18	19	17	51
1001N06-08	3/8	9.5	06	3/4-16	24	19	51
1001N08-08	1/2	12.7	08	3/4-16	24	22	62
1001N08-10	1/2	12.7	08	7/8-14	27	23	64
1000N08-12	1/2	12.7	08	1.1/16-12	32	25	68
1001N10-10	5/8	15.9	10	7/8-14	27	24	68
1000N12-12	3/4	19	12	1.1/16-12	32	28	84
1000N16-16	1	25.4	16	1.5/16-12	41	32	83
1000N20-20	1.1/4	31.8	20	1.5/8-12	50	42	108
1000N24-24	1.1/2	38.1	24	1.7/8-12	55	49	156

None

## S350N



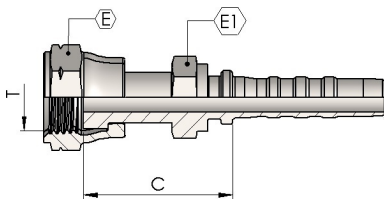
### Maschio ORFS

(ORFS)

Product number	hose I.D.		Dimension			
	in	mm	dash size	T	E	Cut-off C
S350N06-09	3/8	9.5	06	11/16-16	19	26
S350N06-11	3/8	9.5	6	13/16-16	22	29
S350N08-11	1/2	12.7	08	13/16-16	22	29
S350N10-13	5/8	15.9	10	1-14	27	33
S350N12-14	3/4	19	12	1.3/16-12	32	36
S350N16-15	1	25.4	16	1.7/16-12	38	37
S350N16-21	1	25.4	16	1.11/16-12	46	38
S350N20-21	1.1/4	31.8	20	1.11/16-12	46	39
S350N20-32	1.1/4	31.8	20	2-12	55	48.5
S350N24-32	1.1/2	38.1	24	2-12	55	52.5

- con tappo ed O-Ring

## S05TN



### Femmina ORFS doppio esagono

(ORFS)

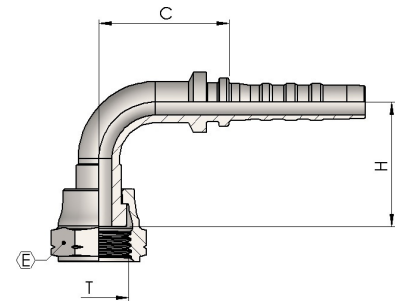
Product number	hose I.D.		Dimension				I.D. Cut-off C
	in	dash size	mm	T	E	E1	
S05TN06-09	3/8	06	9.5	11/16-16	22	17	36
S05TN06-11	3/8	06	9.5	13/16-16	24	19	38
S05TN08-11	1/2	08	12.7	13/16-16	24	19	38
S05TN10-13	5/8	10	15.9	1-14	30	24	43
S05TN12-14	3/4	12	19	1.3/16-12	36	30	44
S05TN16-15	1	16	25.4	1.7/16-12	41	36	52
S05TN20-21	1.1/4	20	31.8	1.11/16-12	50	46	56
S05TN24-32	1.1/2	24	38.1	2-21	60	50	62

None

## S150N

### Curva ORFS 90°

### (ORFS-90°)



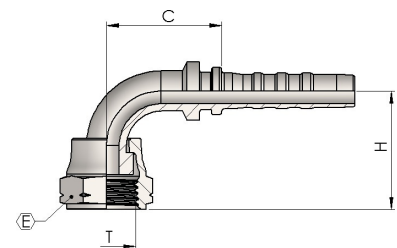
Product number	hose I.D.		Dimension				I.D.
	in	dash size	mm	T	E	H	Cut-off C
S150N06-09	3/8	06	9.5	11/16-16	22	33	33
S150N06-11	3/8	06	9.5	13/16-16	24	32	33
S150N08-11	1/2	08	12.7	13/16-16	24	36	43
S150N10-13	5/8	10	15.9	1-14	30	42	46
S150N12-14	3/4	12	19	1.3/16-12	36	49	57
S150N16-15	1	16	25.4	1.7/16-12	41	62	67
S150N16-21	1	20	25.4	1.11/16-12	50	58	62
S150N20-21	1.1/4	20	31.8	1.11/16-12	50	58	63
S150N20-32	1.1/4	20	31.8	2-12	60	73	63
S150N24-32	1.1/2	24	38.1	2-12	60	73	80

None

## S155N

### Curva ORFS 90° - ISO SHORT

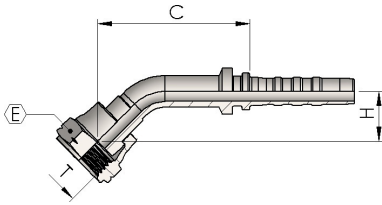
### (ORFS-90°)



Product number	hose I.D.		Dimension				I.D.
	in	dash size	mm	T	E	H	Cut-off C
S155N04-06	1/4	04	6.4	9/16-18	19	21	25
S155N06-09	3/8	06	9.5	11/16-16	22	23	35
S155N08-11	1/2	08	12.7	13/16-16	24	29	44
S155N10-13	5/8	10	15.9	1-14	30	32	48
S155N12-14	3/4	12	19	1.3/16-12	36	48	58

None

## S250N



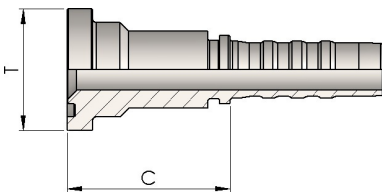
**Curva ORFS 45°**

**(ORFS-45°)**

Product number	hose I.D.		Dimension				
	in	mm	dash size	T	E	H	Cut-off C
S250N06-09	3/8	9.5	06	11/16-16	22	17	52
S250N06-11	3/8	9.5	06	13/16-16	24	18	51
S250N08-11	1/2	12.7	08	13/16-16	24	20	62
S250N10-13	5/8	15.9	10	1-14	30	22	67
S250N12-14	3/4	19	12	1.3/16-12	36	23	84
S250N16-15	1	25.4	16	1.7/16-12	41	27	101
S250N20-21	1.1/4	31.8	20	1.11/16-12	50	44	125
S250N20-32	1.1/4	31.8	20	2-12	60	44	125
S250N24-32	1.1/2	38.1	24	2-12	60	44	127

None

## 1250N



**Flangia Diritta SAE 3000 PSI**

**(SFL)**

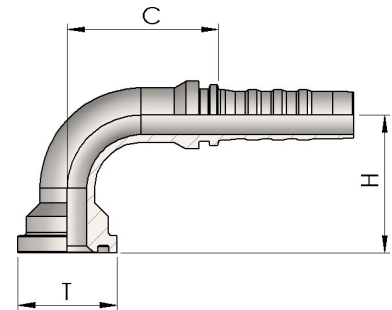
Product number	hose I.D.		Dimension			
	in	mm	dash size	T Flange	mm	Cut-off C
1250N08-08	1/2	12.7	08	1/2	30,2	48
1250N12-12	3/4	19	12	3/4	38.1	54
1250N12-16	3/4	19	12	1	44.5	55
1250N16-16	1	25.4	16	1	44.5	56
1250N16-20	1	25.4	16	1.1/4	50.8	59
1250N20-20	1.1/4	31.8	20	1.1/4	50.8	62
1250N20-24	1.1/4	31.8	20	1.1/2	60.3	65
1250N24-24	1.1/2	38.1	24	1.1/2	60.3	67
1250N24-32	1.1/2	38.1	24	2	71.4	72

None

## 1050N

### Flangia 90° SAE 3000 PSI

(SFL 90°)



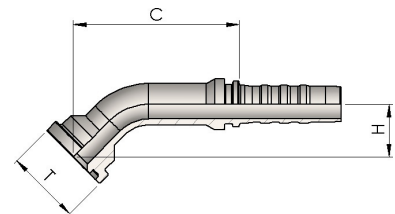
Product number	hose I.D.		Dimension				
	in	dash size	mm	T Flange	mm	drop H	Cut-off C
1050N08-08	1/2	08	12.7	1/2	30.2	39	40
1050N12-12	3/4	12	19	3/4	38.1	53	58
1050N12-16	3/4	12	19	1	44.5	58	58
1050N16-16	1	16	25.4	1	44.5	65	72
1050N16-20	1	16	25.4	1.1/4	50.8	70	72
1050N20-20	1.1/4	20	31.8	1.1/4	50.8	82	96.5
1050N20-24	1.1/4	20	31.8	1.1/2	60.3	85	96
1050N24-24	1.1/2	24	38.1	1.1/2	60.3	94	117

None

## 1150N

### Flangia 45° SAE 3000 PSI

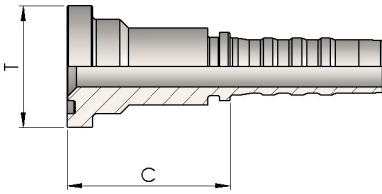
(SFL 45°)



Product number	hose I.D.		Dimension				
	in	mm	dash size	T Flange	mm	drop H	Cut-off C
1150N12-12	3/4	19	12	3/4	38.1	25	81
1150N12-16	3/4	19	12	1	44.5	28	86
1150N16-16	1	25.4	16	1	44.5	32	79
1150N16-20	1	25.4	16	1.1/4	50.8	37	113
1150N20-20	1.1/4	31.8	20	1.1/4	50.8	39	103
1150N20-24	1.1/4	31.8	20	1.1/2	60.3	39	107
1150N24-24	1.1/2	38.1	24	1.1/2	60.3	44	159

None

## 1300N



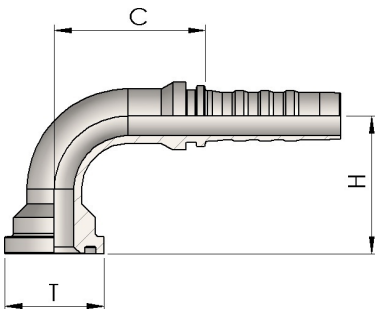
### Flangia Diritta SAE 6000 PSI

(SFS)

Product number	hose I.D.		Dimension			
	in	mm	dash size	T Flange	mm	Cut-off C
1300N08-08	1/2	12.7	08	1/2	31,8	47
1300N12-12	3/4	19	12	3/4	41.3	56
1300N12-16	3/4	19	12	1	47.6	62
1300N16-16	1	25.4	16	1	47.6	63
1300N16-20	1	25.4	16	1.1/4	54	71
1300N20-20	1.1/4	31.8	20	1.1/4	54	73
1300N20-24	1.1/4	31.8	20	1.1/2	63.5	79
1300N24-24	1.1/2	38.1	24	1.1/2	63.5	81
1300N24-32	1.1/2	38.1	24	2	79.4	90

None

## 1100N



### Flangia 90° SAE 6000 PSI

(SFS 90°)

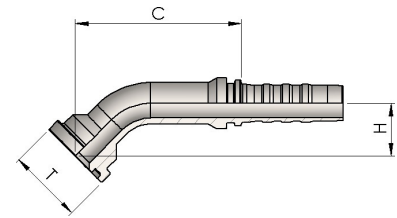
Product number	hose I.D.		Dimension				
	in	mm	dash size	T Flange	mm	drop H	Cut-off C
1100N08-08	1/2	12.7	08	1/2	31,8	39	42
1100N10-12	5/8	15.9	10	3/4	41.3	51	46
1100N12-12	3/4	19	12	3/4	41.3	57	58
1100N12-16	3/4	19	12	1	47.6	63	56
1100N16-16	1	25.4	16	1	47.6	69	72
1100N16-20	1	25.4	16	1.1/4	54	77	72
1100N20-20	1.1/4	31.8	20	1.1/4	54	84.5	100
1100N20-24	1.1/4	31.8	20	1.1/2	63.5	92	101
1100N24-24	1.1/2	38.1	24	1.1/2	63.5	101	121.5

None

## 1200N

### Flangia 45° SAE 6000 PSI

(SFS 45°)



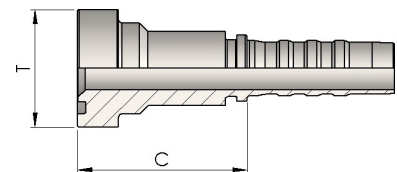
Product number	hose I.D.		Dimension				
	in	mm	dash size	T Flange	mm	drop H	Cut-off C
1200N08-08	1/2	12.7	08	1/2	31.8	22	62
1200N12-12	3/4	19	12	3/4	41.3	28	74
1200N12-16	3/4	19	12	1	47.6	32	90
1200N16-16	1	25.4	16	1	47.6	34	86
1200N16-20	1	25.4	16	1.1/4	54	39	90
1200N20-16	1.1/4	31.8	20	1	47.6	51	100
1200N20-20	1.1/4	31.8	20	1.1/4	54	41	111
1200N20-24	1.1/4	31.8	20	1.1/2	63.5	48	118
1200N24-20	1.1/2	38.1	24	1.1/4	54	40	154
1200N24-24	1.1/2	38.1	24	1.1/2	63.5	50	122
1200N24-32	1.1/2	38.1	24	2	79.4	59	128

None

## 130SN

### Flangia Diritta SUPERCAT

(SFC)

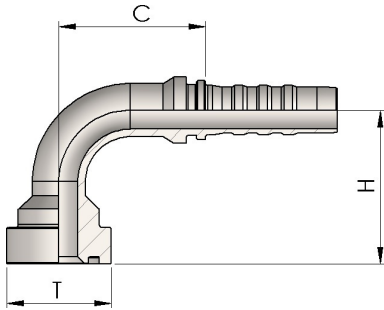


Product number	hose I.D.		I.D.	Dimension		
	in	mm	dash size	T Flange	mm	Cut-off C
130SN12-12	3/4	19	12	3/4	41.3	60
130SN12-16	3/4	19	12	1	47.6	66
130SN16-16	1	25.4	16	1	47.6	67
130SN16-20	1	25.4	16	1.1/4	54	75
130SN20-20	1.1/4	31.8	20	1.1/4	54	77
130SN24-24	1.1/2	38.1	24	1.1/2	63.5	85

None



# 110SN



## Flangia 90° SUPERCAT

(SFC 90°)

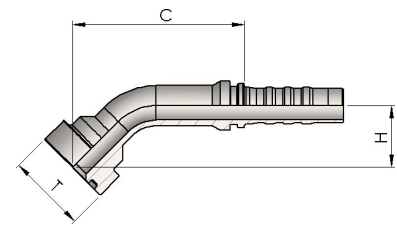
Product number	hose I.D.		dash size	Dimension			
	in	mm		T Flange	mm	H	Cut-off C
110SN12-12	3/4	19	12	3/4	41.3	62	56
110SN12-16	3/4	19	12	1	47.6	65	56
110SN16-16	1	25.4	16	1	47.6	74	78
110SN16-20	1	25.4	16	1.1/4	54	80	78
110SN20-16	1.1/4	31.8	20	1	47.6	87	97
110SN20-20	1.1/4	31.8	20	1.1/4	54	90	97
110SN20-24	1.1/4	31.8	20	1.1/2	63.5	95	97
110SN24-20	1.1/2	38.1	24	1.1/4	54	101	115
110SN24-24	1.1/2	38.1	24	1.1/2	63.5	104	115
110SN24-32	1.1/2	38.1	24	2	79.4	114	115

None

## 120SN

## Flangia 45° SUPERCAT

(SFC 45°)



Product number	hose I.D.		Dimension				
	in	mm	dash size	T Flange	mm	H	Cut-off C
120SN12-12	3/4	19	12	3/4	41.3	32	88
120SN12-16	3/4	19	12	1	47.6	37	93
120SN16-16	1	25.4	16	1	47.6	37	90
120SN16-20	1	25.4	16	1.1/4	54	44	122
120SN20-16	1.1/4	31.8	20	1	47.6	40	111
120SN20-20	1.1/4	31.8	20	1.1/4	54	43	114
120SN20-24	1.1/4	31.8	20	1.1/2	63.5	48	119
120SN24-20	1.1/2	38.1	24	1.1/4	54	50	170
120SN24-24	1.1/2	38.1	24	1.1/2	63.5	52	172

None