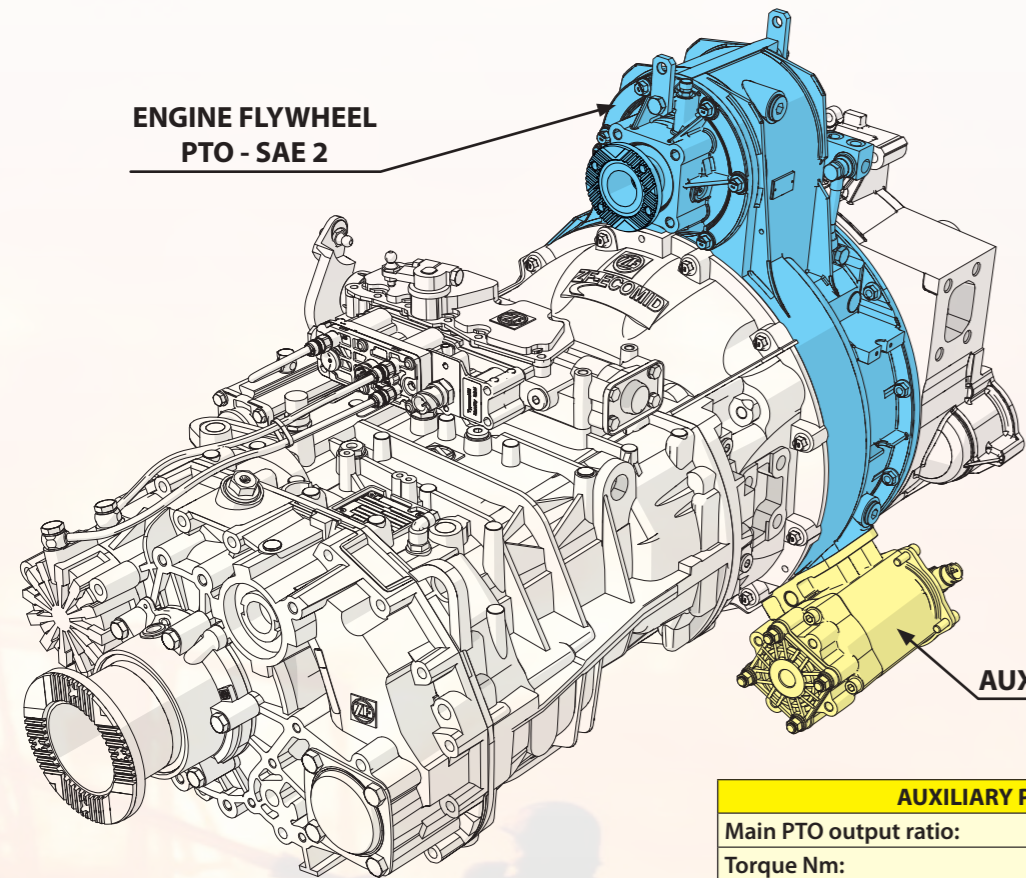


GEARBOXES

ZF

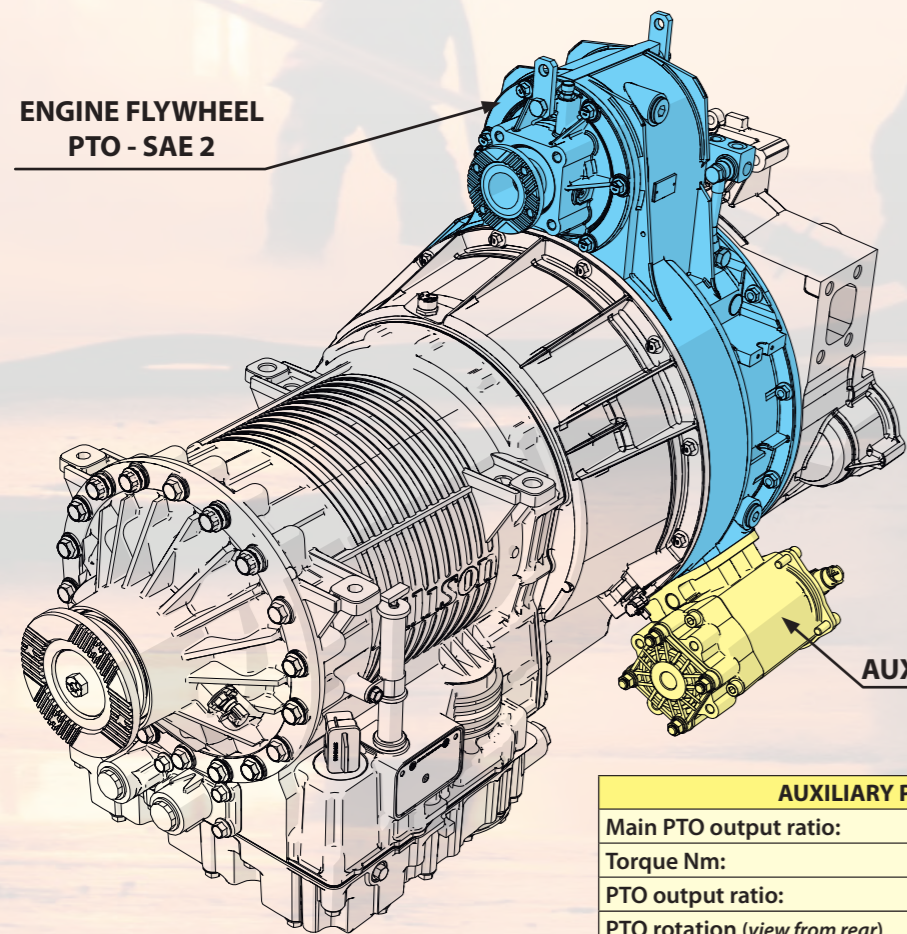


ENGINE FLYWHEEL
PTO - SAE 2

AUXILIARY PTO S296

AUXILIARY PTO S296			
Main PTO output ratio:	1:1,02	1:1,27	1:1,52
Torque Nm:	270		
PTO output ratio:	1:1,01	1:1,01	1:1,20
PTO rotation (view from rear)	↻ (Opposite Engine)		

ALLISON



ENGINE FLYWHEEL
PTO - SAE 2

AUXILIARY PTO S296

AUXILIARY PTO S296			
Main PTO output ratio:	1:1,02	1:1,27	1:1,52
Torque Nm:	270		
PTO output ratio:	1:1,01	1:1,01	1:1,20
PTO rotation (view from rear)	↻ (Opposite Engine)		

INTERPUMP HYDRAULICS

Via A. Mingozzi, 6 • 40012 Calderara di Reno (BO) • T +39 051 6460511 - F +39 051 6460560 • www.interpumphydraulics.com



www.hydrocar.com



www.munciepower.com



www.pzbitaly.com



www.takarada.com.br



www.hspenta.it



Santiago Del Chile
Concepción
Antofagasta
www.hydrocar.cl



Hosur (Tamil Nadu)
Rudrapur (Uttarakhand)
www.interpumphydraulicsindia.com



Wuxi (Jiangsu)
www.iph.net.cn



Jabel Ali
(Dubai)
www.interpump.ae



Brie Comte Robert (Paris)
Flévy (Metz)
www.interpumphydraulics.com



Lima
www.interpumphydraulics.com



Meinerzhagen
(Nordrhein-Westfalen)
www.interpumphydraulics.com



Kingswinford
West Midlands
(England)
www.interpumphydraulicsuk.com

Rev. 00 09/2016 • MHDEPDEE002

Layout & Graphic Design: Studio '80 (BO) ITALY



INTERPUMP HYDRAULICS S.p.A.
Via A. Mingozzi, 6 • 40012 Calderara di Reno (BO) - T +39 051 6460511 • F +39 051 6460560 • www.interpumphydraulics.com



EFP-2

Engine Flywheel Pto SAE 2

New





PTO FOR HEAVY DUTY APPLICATIONS (100% OF ENGINE AVAILABLE TORQUE)

- Main applications are:
- fire-fighting (including pump & roll function),
 - refrigerator (cooler) vehicle
 - concrete mixer,
 - sewer cleaner,
 - snowplough,
 - other.

EASY TO FIT

The PTO EFP-2 is so easy to adapt that is easily suitable to be installed onto the following transmissions (manual, automated and fully automatic) and related engines:

- ZF,
- ALLISON (series 2000/3000),
- EATON,
- DAIMLER,
- ISUZU,
- HINO,
- NISSAN,
- FUSO,
- HYUNDAI,
- other.

TECHNICAL SPECIFICATIONS

PTO clutch engagement limit conditions: 1000 r.p.m. / 1000 Nm / 105 kW
 1500 r.p.m. / 670 Nm / 105 kW
 2000 r.p.m. / 500 Nm / 105 kW

PTO output Torque: 1000 Nm / ratio 1:1,02
 820 Nm / ratio 1:1,27
 720 Nm / ratio 1:1,52

The max Power has to be considered as continuous use (157 kW max).

FUNCTIONS

- Engine dependent pto;
- pto usage both with standing still vehicles as well as in mobile conditions (pump and roll);
- pto mounting position between engine and gearbox;
- pto output at 12 O'clock (from 11 up to 1 O'Clock - see pictures);
- assembling without any "special" or dedicated tool.

OPTIONS

- Pto output engagement control, hot-shift (clutch), constant drive and pneumatic shifting (engine off);
- pre-arrangement for external oil cooler;
- temperature control option;
- oil level inspection;
- pto output sensor speed;
- auxiliary pto window opening located at 4 and 8 O'clock to avoid chassis collision 300 Nm ratio 1:1,32;
- oil cooler (air/oil);
- no residual clutch drag (active brake function).

TECHNICAL SPECIFICATIONS

Unit through torque (to rear axle):
 - as indication and reference 1500 Nm; 400 kW - 540 HP (max).

VEHICLES INSTALLATIONS

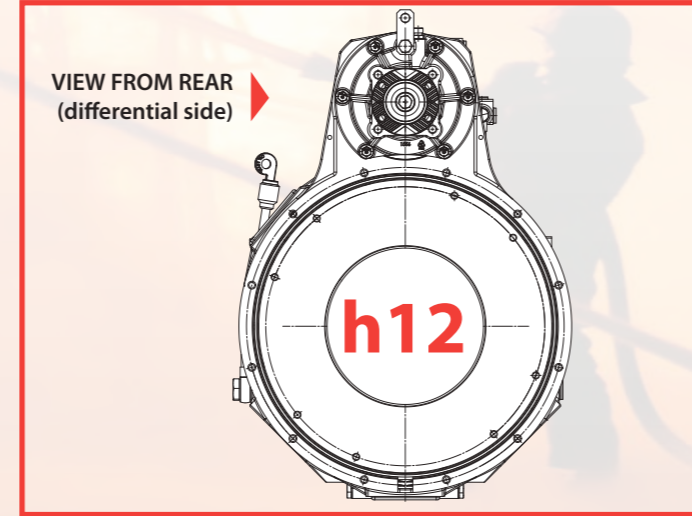
Max. engine speed: 2500 / 2800 r.p.m.
 Max. operating angle of the vehicle: - forward / rearward: 17° (30%),
 - right / left: 17° (30%).

FLANGE OUTPUT

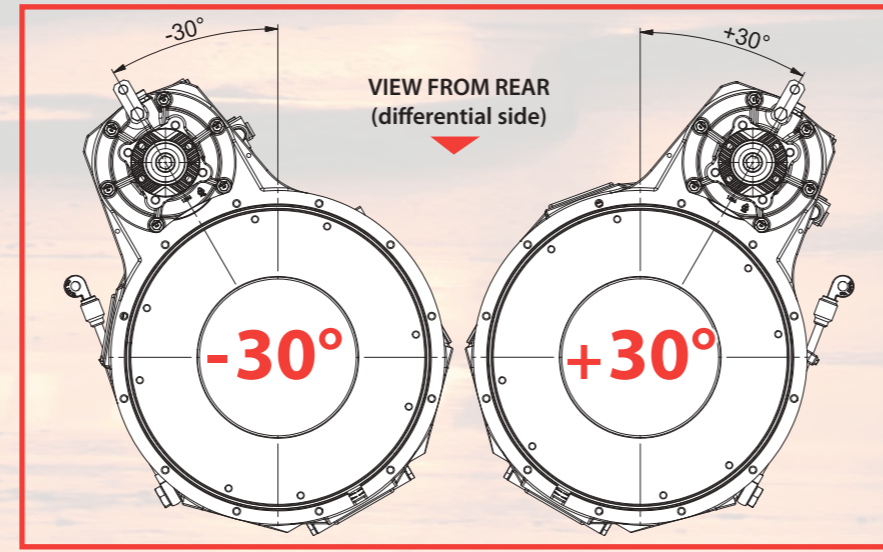
PTO output: - pump ISO 4 bolts,
 - pump SAE C,
 - pump SAE BB,
 - flange DIN 100,
 - flange DIN 120,
 - flange SPICER 1310,
 - flange SPICER 1410,
 - flange 120 ISO 8667 (XS).

MOUNTING POSITIONS

STANDARD: h12

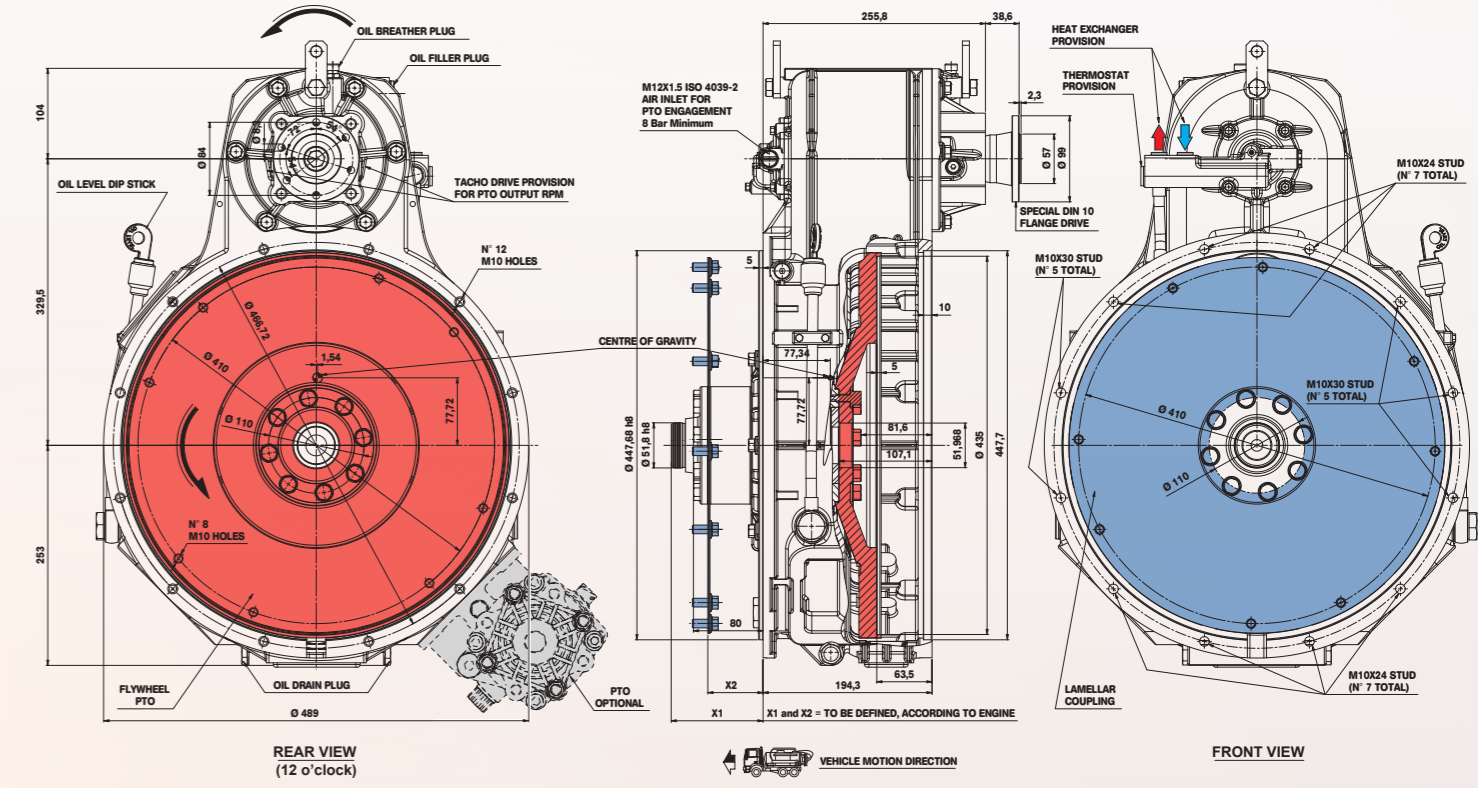


OPTIONAL: +30° or -30°



DIMENSIONS

VERSION WITH FLEXIBLE LAMELLAR COUPLING



VERSION WITH DAMPER

