
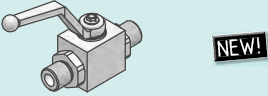
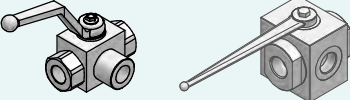
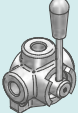
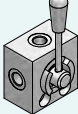
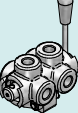
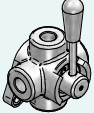
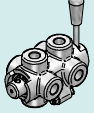
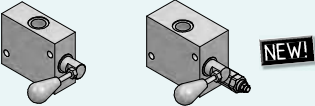
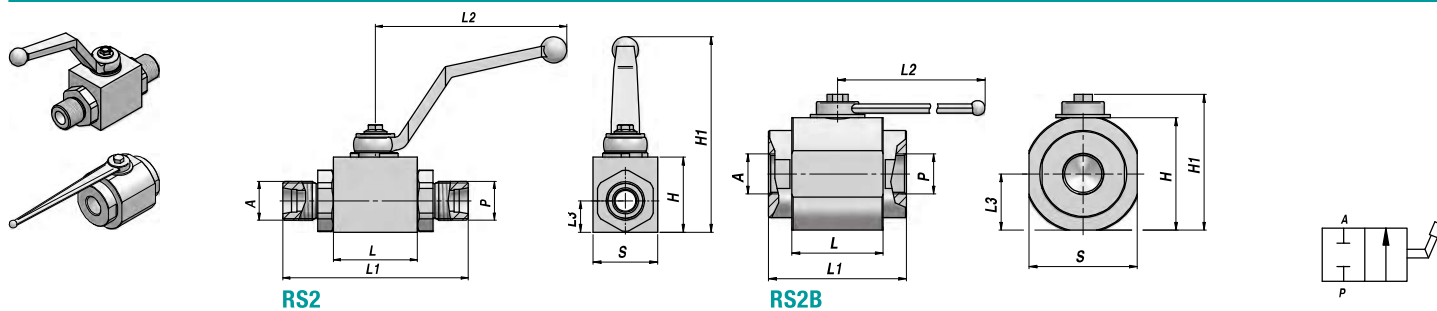


VALVOLE DIREZIONALI HYDRAULIC DIRECTIONAL CONTROL VALVES

	Descrizione - Description	Type	Page
	VALVOLA A SFERA A 2 VIE 2-WAY BALL VALVE	RS 2	290
	VALVOLA A SFERA A 2 VIE - DIN 2353 2-WAY BALL VALVE - DIN 2353	RSD 2	290
	VALVOLA A SFERA A 3 VIE 3-WAY BALL VALVE	RS 3/L RS 3/T	291
	DEVIATORE A 3 VIE 3-WAY FLOW DEFLECT VALVE	DDF3-A DDF3-C	292
	DEVIATORE A 3 VIE - ALTA PRESSIONE 3-WAY FLOW DEFLECT VALVE - HIGH PRESSURE	DDF3 AP...A DDF3 AP...C	293
	DEVIATORE A 6 VIE 6-WAY FLOW DEFLECT VALVE	DDF6-A DDF6-C	294
	INVERTITORE A 4 VIE 4-WAY FLOW REVERSE	IDF4-A IDF4-C	295
	INVERTITORE A 8 VIE 8-WAY FLOW REVERSE	IDF8-A IDF8-C	296
	INVERTITORE A 4 VIE PER MOTORI "MPP-MPR-MCP-MCR" 4-WAY FLOW REVERSE FOR "MPP-MPR-MCP-MCR" MOTORS	BDR01 BDR04	297

RS 2

VALVOLA A SFERA A 2 VIE
2-WAY BALL VALVE



Code Code	A - P BSP	Serie Series	Q MAX l/min	P MAX bar	Tipo Type	L	L1	L2	L3	H	H1	S	kg
DRS2040000	1/4"	-	25	500	RS 2 DN 6	42.4	71	110	14.5	35	91.5	30	0.50
DRS2060000	3/8"	-	35	500	RS 2 DN10	44.4	73	110	17.4	40	96.5	35	0.65
DRS2080000	1/2"	-	60	500	RS 2 DN13	48.4	83	110	18.0	43	99.5	37	0.77
DRS2120000	3/4"	-	100	400	RS 2 DN20	62.5	95	180	23.4	57	106.5	49	1.46
DRS2160000	1"	-	160	350	RS 2 DN25	66.5	112	180	29.5	65	116.5	55	2.23
DRS2200000	1"1/4-R	-	160	350	RS 2 DN25	66.5	120	180	29.5	65	116.5	55	2.30
DRS2240000	1"1/2"	-	-	350	RS 2B DN40	85.0	131	300	53.5	107	134.5	102	7.39
DRS2320000	2"	-	-	350	RS 2B DN50	98.0	140	300	57.0	114	141.5	118	9.05

A RICHIESTA - ON REQUEST:
FORI DI FISSAGGIO - FIXING HOLES

MATERIALE CORPO : ACCIAIO
BODY MATERIAL : STEEL

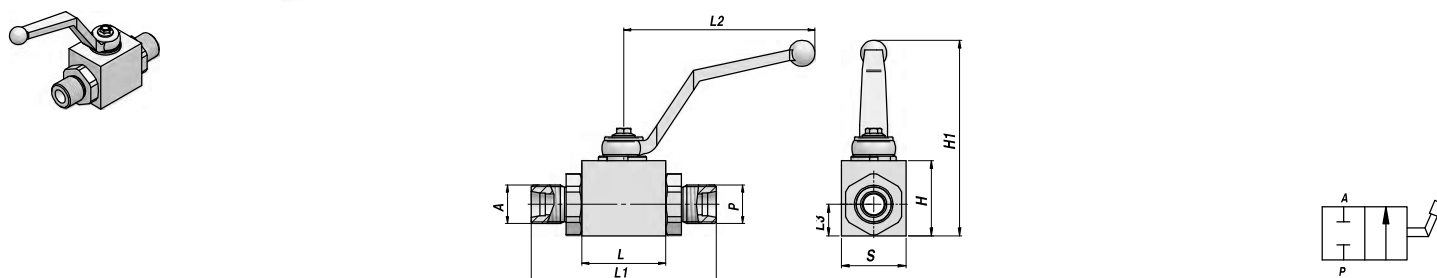
MONTAGGIO IN LINEA
LINE MOUNTING

A RICHIESTA : INOX AISI 316
ON REQUEST : STAINLESS STEEL AISI 316

RSD 2

NEW!

VALVOLA A SFERA A 2 VIE - DIN 2353
2-WAY BALL VALVE - DIN 2353



Code Code	A - P BSP	Serie Series	Q MAX l/min	P MAX bar	Tipo Type	L	L1	L2	L3	H	H1	S	kg
DRSD208L00	M14x1.5	L	25	500	RSD2 08L DN06	42.4	76.0	110	14.5	35	91.5	30	0.48
DRSD210L00	M16x1.5	L	35	500	RSD2 10L DN10	44.4	76.5	110	17.4	40	96.5	35	0.60
DRSD212L00	M18x1.5	L	35	500	RSD2 12L DN10	44.4	79.5	110	17.4	40	96.5	35	0.62
DRSD215L00	M22x1.5	L	60	500	RSD2 15L DN13	48.4	87.0	110	18.0	43	99.5	37	0.73
DRSD218L00	M26x1.5	L	60	500	RSD2 18L DN13	48.4	87.0	110	18.0	43	99.5	37	0.75
DRSD222L00	M30x2	L	100	400	RSD2 22L DN20	62.5	110.0	180	23.4	57	106.5	49	1.46
DRSD228L00	M36x2	L	160	350	RSD2 28L DN25	66.5	117.0	180	29.5	65	116.5	55	2.13
DRSD210S00	M18x1.5	S	25	500	RSD2 10S DN06	42.4	76.0	110	14.5	35	91.5	30	0.50
DRSD212S00	M20x1.5	S	35	500	RSD2 12S DN10	44.4	76.0	110	17.4	40	96.5	35	0.60
DRSD214S00	M22x1.5	S	35	500	RSD2 14S DN10	44.4	82.5	110	17.4	40	96.5	35	0.63
DRSD216S00	M24x1.5	S	60	500	RSD2 16S DN13	48.4	89.0	110	18.0	43	99.5	37	0.67
DRSD220S00	M30x2	S	60	500	RSD2 20S DN13	48.4	93.0	110	18.0	43	99.5	37	0.79
DRSD225S00	M36x2	S	100	400	RSD2 25S DN20	62.5	111.0	180	23.4	57	106.5	49	1.49
DRSD230S00	M42x2	S	160	350	RSD2 30S DN25	66.5	121.0	180	29.5	65	116.5	55	2.15

A RICHIESTA - ON REQUEST:
FORI DI FISSAGGIO - FIXING HOLES

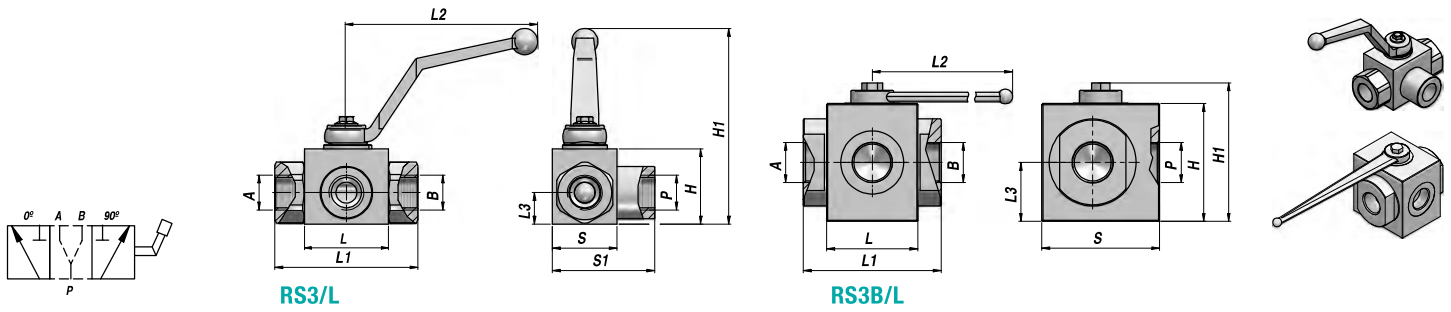
MATERIALE CORPO : ACCIAIO
BODY MATERIAL : STEEL

MONTAGGIO IN LINEA
LINE MOUNTING

A RICHIESTA : INOX AISI 316
ON REQUEST : STAINLESS STEEL AISI 316

VALVOLA SFERA A 3 VIE - CENTRO CHIUSO
3-WAY BALL VALVE - CLOSED CENTRE

RS 3/L



Codice Code	A - P - B BSP	Schema Scheme	Q MAX l/min	P MAX bar	Tipo Type	L	L1	L2	L3	H	H1	S	S1	kg
DRS3040000	1/4"	L	25	400	RS 3/L DN 6	42.4	71	110	14.5	35	91.5	30	48.5	0,54
DRS3060000	3/8"	L	35	400	RS 3/L DN10	44.4	73	110	17.4	40	96.5	35	54.5	0,70
DRS3080000	1/2"	L	60	350	RS 3/L DN13	48.4	83	110	18.0	43	99.5	37	58.5	0,83
DRS3120000	3/4"	L	100	350	RS 3/L DN20	62.5	95	180	23.4	57	106.5	49	75.0	1,58
DRS3160000	1"	L	160	350	RS 3/L DN25	66.5	112	180	29.5	65	116.5	55	89.0	2,42
DRS3200000	1"1/4-R	L	160	350	RS 3/L DN25	66.5	120	180	29.5	65	116.5	55	89.0	2,60
DRS3240000	1"1/2"	L	-	350	RS 3B/L DN40	85.0	131	300	53.5	107	134.5	115	-	8,63
DRS3320000	2"	L	-	350	RS 3B/L DN50	98.0	140	300	57.0	114	141.5	128	-	10,61

A RICHIESTA - ON REQUEST:
FORI DI FISSAGGIO - FIXING HOLES

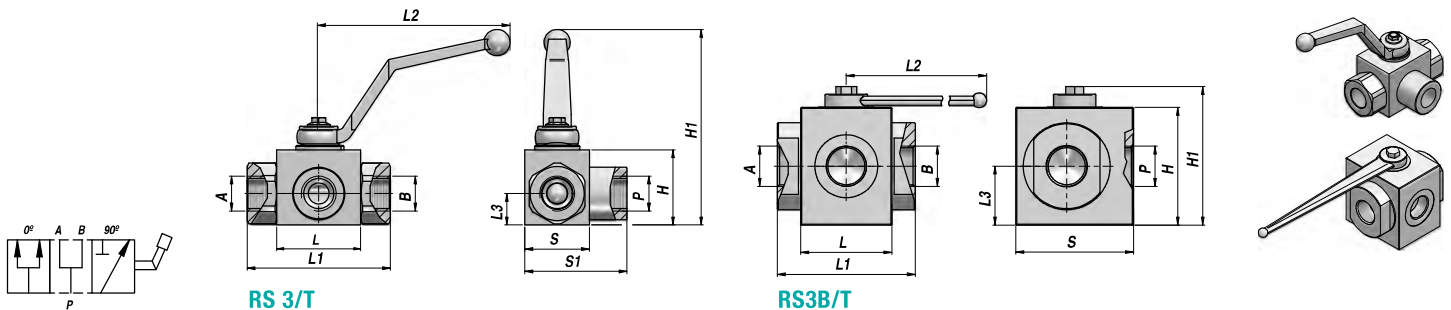
MATERIALE CORPO : ACCIAIO
BODY MATERIAL : STEEL

MONTAGGIO IN LINEA
LINE MOUNTING

A RICHIESTA : INOX AISI 316
ON REQUEST : STAINLESS STEEL AISI 316

VALVOLA UNIDIREZIONALE (TENUTA A CONO)
CHECK VALVE (POPPET TYPE)

RS 3/T



Codice Code	A - P - B BSP	Schema Scheme	Q MAX l/min	P MAX bar	Tipo Type	L	L1	L2	L3	H	H1	S	S1	kg
DRST304000	1/4"	T	25	400	RS 3/T DN 6	42.4	71	110	14.5	35	91.5	30	48.5	0.54
DRST306000	3/8"	T	35	400	RS 3/T DN10	44.4	73	110	17.4	40	96.5	35	54.5	0.70
DRST308000	1/2"	T	60	350	RS 3/T DN13	48.4	83	110	18.0	43	99.5	37	58.5	0.83
DRST312000	3/4"	T	100	350	RS 3/T DN20	62.5	95	180	23.4	57	106.5	49	75.0	1.58
DRST316000	1"	T	160	350	RS 3/T DN25	66.5	112	180	29.5	65	116.5	55	89.0	2.42
DRST320000	1"1/4-R	T	160	350	RS 3/T DN25	66.5	120	180	29.5	65	116.5	55	89.0	2.60
DRST324000	1"1/2"	T	-	350	RS 3B/T DN40	85.0	131	300	53.5	107	134.5	115	-	8.63
DRST332000	2"	T	-	350	RS 3B/T DN50	98.0	140	300	57.0	114	141.5	128	-	10.61

A RICHIESTA - ON REQUEST:
FORI DI FISSAGGIO - FIXING HOLES

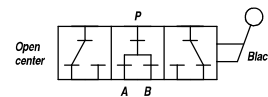
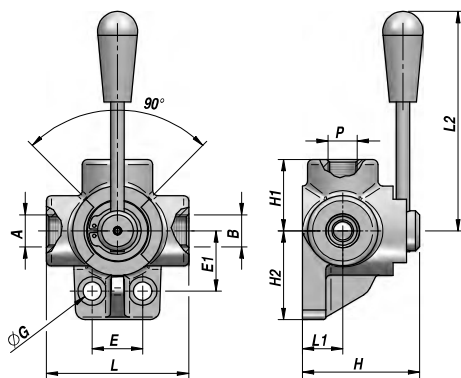
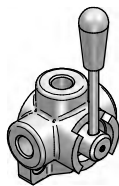
MATERIALE CORPO : ACCIAIO
BODY MATERIAL : STEEL

MONTAGGIO IN LINEA
LINE MOUNTING

A RICHIESTA : INOX AISI 316
ON REQUEST : STAINLESS STEEL AISI 316

DDF3-A

DEVIATORE A 3 VIE - CENTRO APERTO
3-WAY FLOW DEFLECT VALVE - OPEN CENTRE



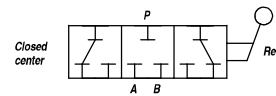
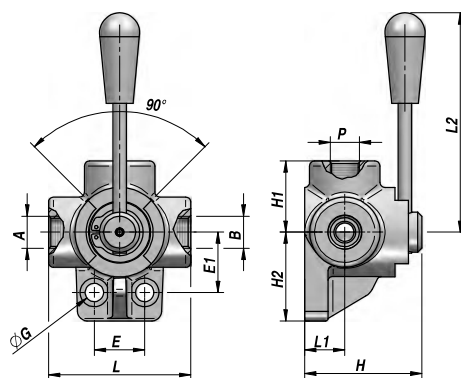
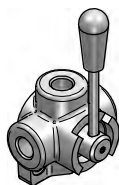
Code Code	A - P - B BSP	Q MAX l/min	P MAX bar	Tipo Type	L	L1	L2	ØG	E	E1	H	H1	H2	kg
V70367.A00600	3/8"	60	315	DDF3-A 020	73	21.0	135	8.5	24	31	62	36.5	42	0,87
V70367.A00800	1/2"	90	280	DDF3-A 030	85	24.0	130	11.0	30	36	70	42.5	53	1,42
V70367.A01200	3/4"	120	250	DDF3-A 040	91	28.0	130	11.0	32	41	80	45.5	56	1,84
V70367.A01600	1"	180	220	DDF3-A 050	98	31.5	160	11.0	32	50	90	49.0	64	2,51
V70367.A02400	1 1/2"	280	200	DDF3-A 070	128	44.0	160	10.5	42	64	115	64.0	80	6,10

MATERIALE CORPO : GHISA
BODY MATERIAL : CAST IRON

MONTAGGIO IN LINEA
LINE MOUNTING

DDF3-C

DEVIATORE A 3 VIE - CENTRO CHIUSO
3-WAY FLOW DEFLECT VALVE - CLOSED CENTRE



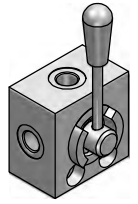
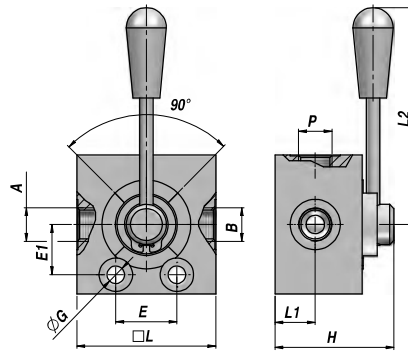
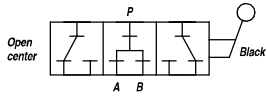
Code Code	A - P - B BSP	Q MAX l/min	P MAX bar	Tipo Type	L	L1	L2	ØG	E	E1	H	H1	H2	kg
V70367.C00600	3/8"	60	315	DDF3-C 020	73	21.0	135	8.5	24	31	62	36.5	42	0,87
V70367.C00800	1/2"	90	280	DDF3-C 030	85	24.0	130	11.0	30	36	70	42.5	53	1,42
V70367.C01200	3/4"	120	250	DDF3-C 040	91	28.0	130	11.0	32	41	80	45.5	56	1,84
V70367.C01600	1"	180	220	DDF3-C 050	98	31.5	160	11.0	32	50	90	49.0	64	2,51

MATERIALE CORPO : GHISA
BODY MATERIAL : CAST IRON

MONTAGGIO IN LINEA
LINE MOUNTING

DEVIATORE A 3 VIE "AP...A" - CENTRO APERTO - ALTA PRESSIONE
3-WAY FLOW DEFLECT VALVE "AP...A" - OPEN CENTRE - HIGH PRESSURE

DDF 3 AP...A



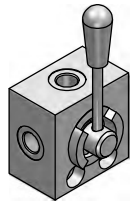
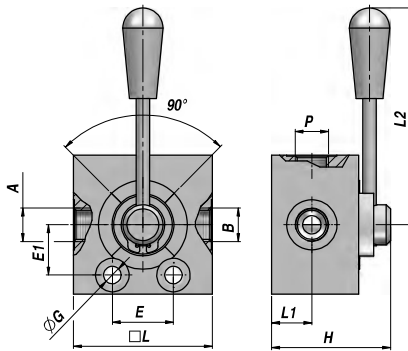
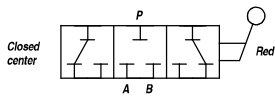
Codice Code	A - P - B BSP	Q MAX l/min	P MAX bar	Tipo Type	L	L1	L2	ØG	E	E1	H	kg
V71367.A00600	3/8"	60	450	DDF3 AP 020 A	68	21.0	135	8.5	30.0	24.75	62	1,38
V71367.A00800	1/2"	90	400	DDF3 AP 030 A	83	24.0	130	10.5	36.5	30.00	71	2,38
V71367.A01200	3/4"	120	350	DDF3 AP 040 A	87	28.0	130	11.0	32.0	30.50	80	2,88
V71367.A01600	1"	180	320	DDF3 AP 050 A	106	31.5	160	11.0	60.0	38.00	89	4,76

MATERIALE CORPO : GHISA ZINCATA
BODY MATERIAL : ZINC PLATED CAST IRON

MONTAGGIO IN LINEA
LINE MOUNTING

DEVIATORE A 3 VIE "AP...C" - CENTRO CHIUSO - ALTA PRESSIONE
3-WAY FLOW DEFLECT VALVE "AP...C" - CLOSED CENTRE - HIGH PRESSURE

DDF 3 AP...C



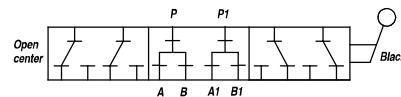
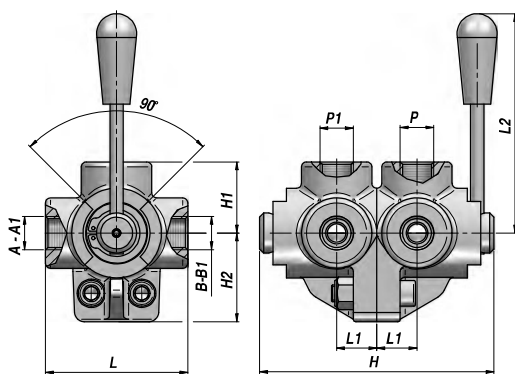
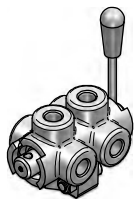
Codice Code	A - P - B BSP	Q MAX l/min	P MAX bar	Tipo Type	L	L1	L2	ØG	E	E1	H	kg
V71367.C00600	3/8"	60	450	DDF3 AP 020 C	68	21.0	135	8.5	30.0	24.75	62	1,38
V71367.C00800	1/2"	90	400	DDF3 AP 030 C	83	24.0	130	10.5	36.5	30.00	71	2,38
V71367.C01200	3/4"	120	350	DDF3 AP 040 C	87	28.0	130	11.0	32.0	30.50	80	2,88
V71367.C01600	1"	180	320	DDF3 AP 050 C	106	31.5	160	11.0	60.0	38.00	89	4,76

MATERIALE CORPO : GHISA ZINCATA
BODY MATERIAL : ZINC PLATED CAST IRON

MONTAGGIO IN LINEA
LINE MOUNTING

DDF6-A

DEVIATORE A 6 VIE - CENTRO APERTO
6-WAY FLOW DEFLECT VALVE - OPEN CENTRE



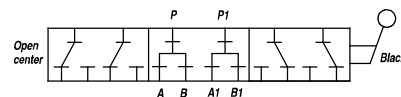
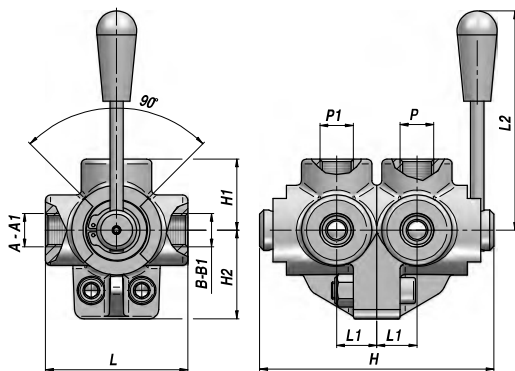
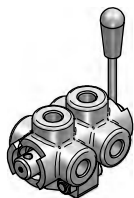
Codice Code	A - P - B BSP	A1 - P1 - B1 BSP	Q MAX l/min	P MAX bar	Tipo Type	L	L1	L2	H	H1	H2	kg
V70667.A00600	3/8"	3/8"	60	315	DDF6-A 020	73	21.0	135	124	36.5	42	1,76
V70667.A00800	1/2"	1/2"	90	280	DDF6-A 030	85	24.0	130	140	42.5	53	2,90
V70667.A01200	3/4"	3/4"	120	250	DDF6-A 040	91	28.0	130	160	45.5	56	3,74
V70667.A01600	1"	1"	180	220	DDF6-A 050	98	31.5	160	180	49.0	64	5,20

MATERIALE CORPO : GHISA
BODY MATERIAL : CAST IRON

MONTAGGIO IN LINEA
LINE MOUNTING

DDF6-C

DEVIATORE A 6 VIE - CENTRO CHIUSO
6-WAY FLOW DEFLECT VALVE - CLOSED CENTRE



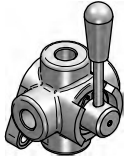
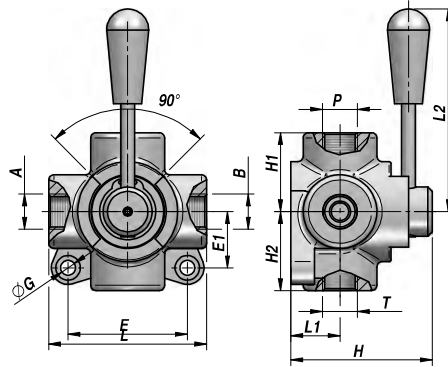
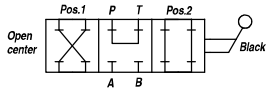
Codice Code	A - P - B BSP	A1 - P1 - B1 BSP	Q MAX l/min	P MAX bar	Tipo Type	L	L1	L2	H	H1	H2	kg
V70667.C00600	3/8"	3/8"	60	315	DDF6-C 020	73	21.0	135	124	36.5	42	1,76
V70667.C00800	1/2"	1/2"	90	280	DDF6-C 030	85	24.0	130	140	42.5	53	2,90
V70667.C01200	3/4"	3/4"	120	250	DDF6-C 040	91	28.0	130	160	45.5	56	3,74
V70667.C01600	1"	1"	180	220	DDF6-C 050	98	31.5	160	180	49.0	64	5,20

MATERIALE CORPO : GHISA
BODY MATERIAL : CAST IRON

MONTAGGIO IN LINEA
LINE MOUNTING

DEVIATORE A 3 VIE "AP...A" - CENTRO APERTO - ALTA PRESSIONE
3-WAY FLOW DEFLECT VALVE "AP...A" - OPEN CENTRE - HIGH PRESSURE

IDF4-A



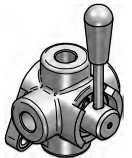
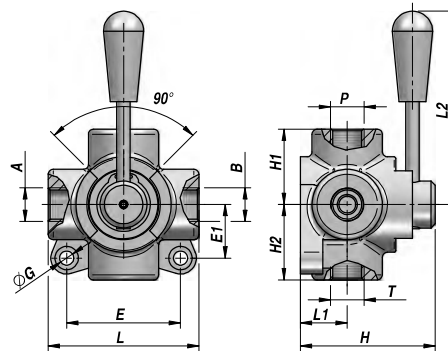
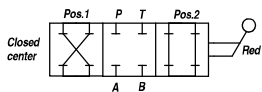
Codice Code	P - T BSP	A - B BSP	Q MAX l/min	P MAX bar	Tipo Type	L	L1	L2	ØG	E	E1	H	H1	H2	kg
V70467.A00600	3/8"	3/8"	35	300	IDF4-A 020	77	24	130	8.5	54	27	71	38.5	38.5	1,23
V70467.A00800	1/2"	1/2"	50	250	IDF4-A 030	90	28	130	8.5	68	32	80	45.0	45.0	1,89
V70467.A01200	3/4"	3/4"	90	220	IDF4-A 040	95	32	160	8.5	74	38	90	47.5	47.5	2,56

MATERIALE CORPO : GHISA ZINCATA
BODY MATERIAL : ZINC PLATED CAST IRON

MONTAGGIO IN LINEA
LINE MOUNTING

INVERTITORE A 4 VIE - CENTRO CHIUSO
4-WAY FLOW REVERSE - CLOSED CENTRE

IDF4-C



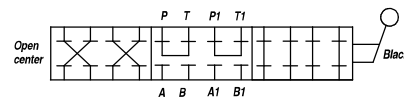
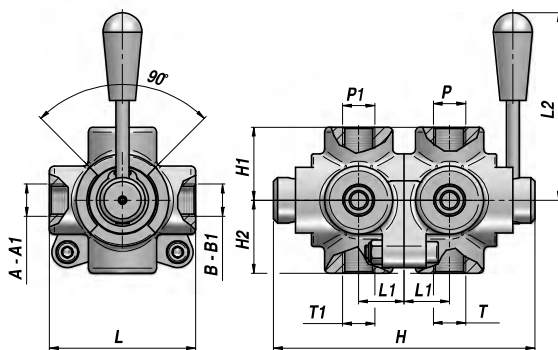
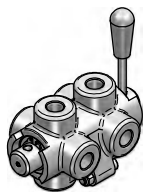
Codice Code	P - T BSP	A - B BSP	Q MAX l/min	P MAX bar	Tipo Type	L	L1	L2	ØG	E	E1	H	H1	H2	kg
V70467.C00600	3/8"	3/8"	35	300	IDF4-C 020	77	24	130	8.5	54	27	71	38.5	38.5	1,23
V70467.C00800	1/2"	1/2"	50	250	IDF4-C 030	90	28	130	8.5	68	32	80	45.0	45.0	1,89
V70467.C01200	3/4"	3/4"	90	220	IDF4-C 040	95	32	160	8.5	74	38	90	47.5	47.5	2,56

MATERIALE CORPO : GHISA ZINCATA
BODY MATERIAL : ZINC PLATED CAST IRON

MONTAGGIO IN LINEA
LINE MOUNTING

IDF8-A

INVERTITORE A 8 VIE - CENTRO APERTO
8-WAY FLOW REVERSE - OPEN CENTRE



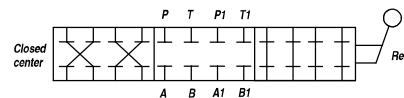
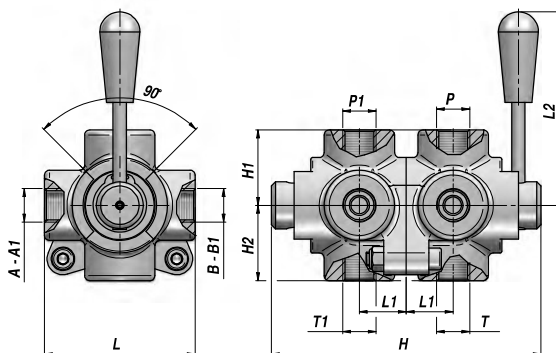
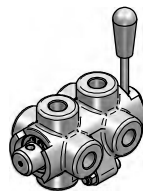
Codice Code	P - T A - B BSP	P1 - T1 A1 - B1 BSP	Q MAX l/min	P MAX bar	Tipo Type	L	L1	L2	H	H1	H2	kg
V70867.A00600	3/8"	3/8"	35	300	IDF8-A 020	77	24	130	142	38.5	38.5	2,50
V70867.A00800	1/2"	1/2"	50	250	IDF8-A 030	90	28	130	160	45.0	45.0	3,80
V70867.A01200	3/4"	3/4"	90	220	IDF8-A 040	95	32	160	180	47.5	47.5	5,20

MATERIALE CORPO : GHISA ZINCATA
BODY MATERIAL : ZINC PLATED CAST IRON

MONTAGGIO IN LINEA
LINE MOUNTING

IDF8-C

INVERTITORE A 8 VIE - CENTRO CHIUSO
8-WAY FLOW REVERSE - CLOSED CENTRE



Codice Code	P - T A - B BSP	P1 - T1 A1 - B1 BSP	Q MAX l/min	P MAX bar	Tipo Type	L	L1	L2	H	H1	H2	kg
V70867.C00600	3/8"	3/8"	35	300	IDF8-C 020	77	24	130	142	38.5	38.5	2,50
V70867.C00800	1/2"	1/2"	50	250	IDF8-C 030	90	28	130	160	45.0	45.0	3,80
V70867.C01200	3/4"	3/4"	90	220	IDF8-C 040	95	32	160	180	47.5	47.5	5,20

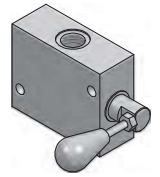
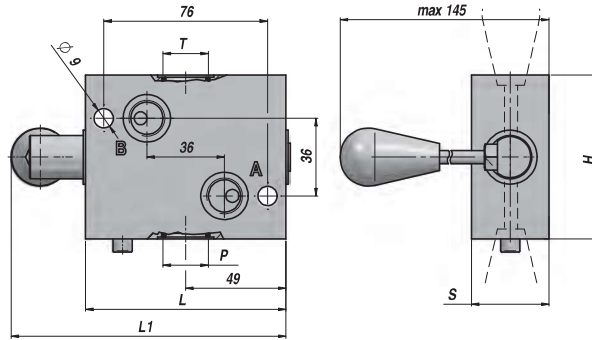
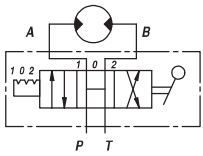
MATERIALE CORPO : GHISA ZINCATA
BODY MATERIAL : ZINC PLATED CAST IRON

MONTAGGIO IN LINEA
LINE MOUNTING

INVERTITORE A 4 VIE PER MOTORI "MPP-MPR-MCP-MCR" - CENTRO APERTO
4-WAY FLOW REVERSE FOR "MPP-MPR-MCP-MCR" MOTORS - OPEN CENTRE

NEW!

BDR01



Codice Code	A - B BSP	Q MAX l/min	P MAX bar	Tipo Type	L	L1 max	H	S	kg
VBDR012010	1/2"	50	210	BDR 12.01	93	128	70	35	0,76

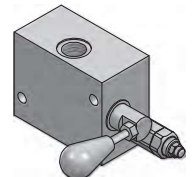
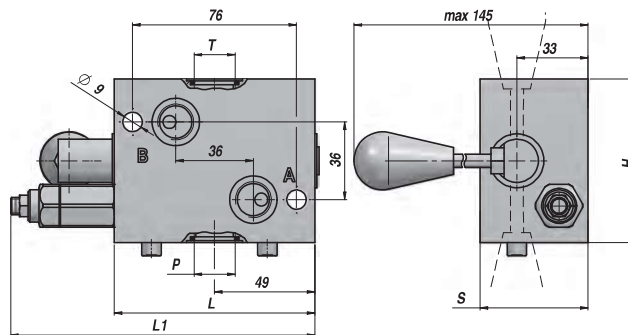
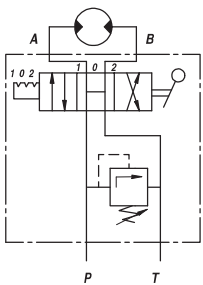
MATERIALE CORPO : ALLUMINIO
BODY MATERIAL : ALUMINIUM

FLANGIABILE
FACE MOUNTING

INVERTITORE A 4 VIE PER MOTORI "MPP-MPR-MCP-MCR" + V.M.P. - CENTRO APERTO
4-WAY FLOW REVERSE FOR "MPP-MPR-MCP-MCR" MOTORS + RELIEF VALVE - OPEN CENTRE

NEW!

BDR04



Codice Code	A - B BSP	Q MAX l/min	P MAX bar	Tipo Type	L	L1 max	H	S	kg
VBDR012040	1/2"	50	250	BDR 12.04/25	93	150	70	50	1,07

MOLLA - SPRING: 30 : 250 bar

MATERIALE CORPO : ALLUMINIO
BODY MATERIAL : ALUMINIUM

FLANGIABILE
FACE MOUNTING