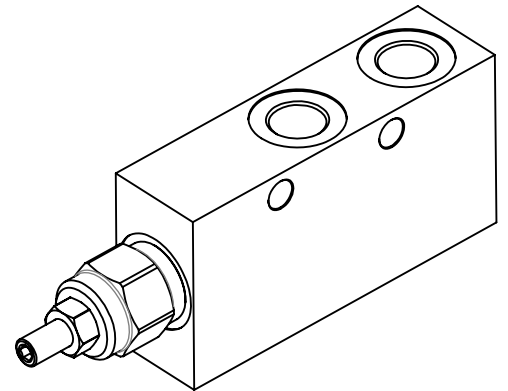
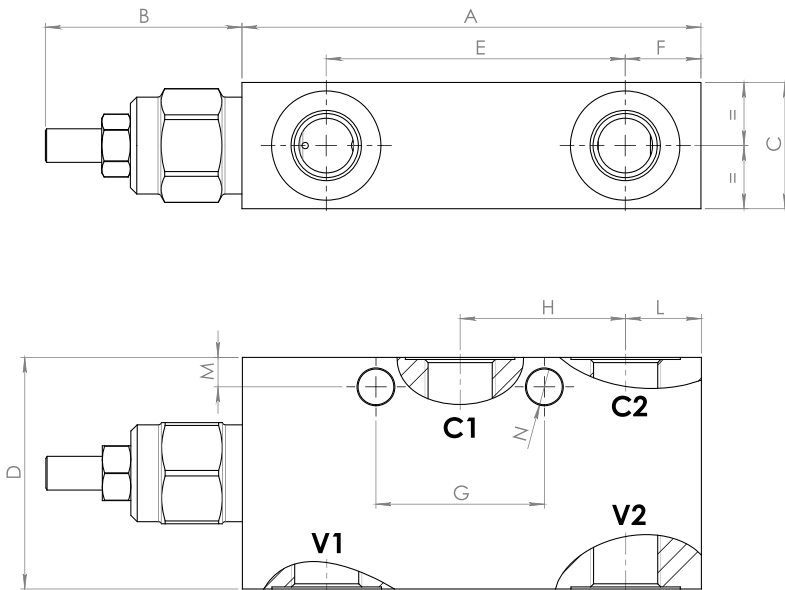
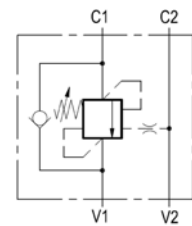


Dimensions

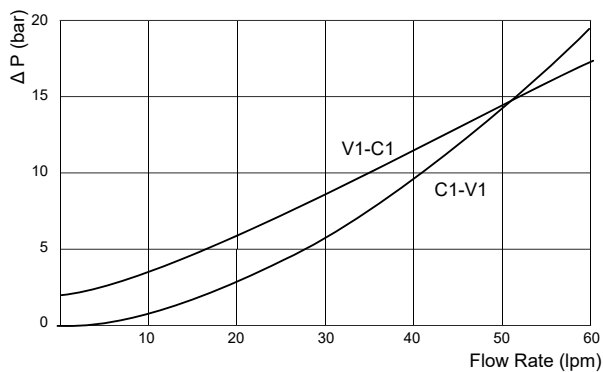


Size	A	B	C	C1 - C2 V1 - V2	D	E	F	G	H	L	M	N	Weight kg
02	109	47	30	3/8	55	71	18	40	39,3	18	7	8,5	1,18
03	109	47	35	1/2	65	71	18	40	39,3	18	8	8,5	1,75

Hydraulic Symbol



Curves



Features

Rated Flow	60 lpm
Max Pressure	350 bar

Materials: Zinc plated steel manifold, hardened steel inner parts.

Notice: Relief setting at least 1,3 times the highest expected load-induced pressure.

Ordering Code

CBSL -- -- -

Port Size BSP		Spring		
Size	Port Size	Pressure Range (bar)	Increase (bar/turn)	Standard Setting (bar) Q=5 lpm
02	3/8	60 - 210	61	180
03	1/2	100 - 350	100	250

Pilot Ratio	
	4,2 : 1
8	8 : 1

Ordering Code Example: CBSL0330 = 1/2 BSP Ports - 100-350 bar setting range, 4,2:1 Pilot Ratio.