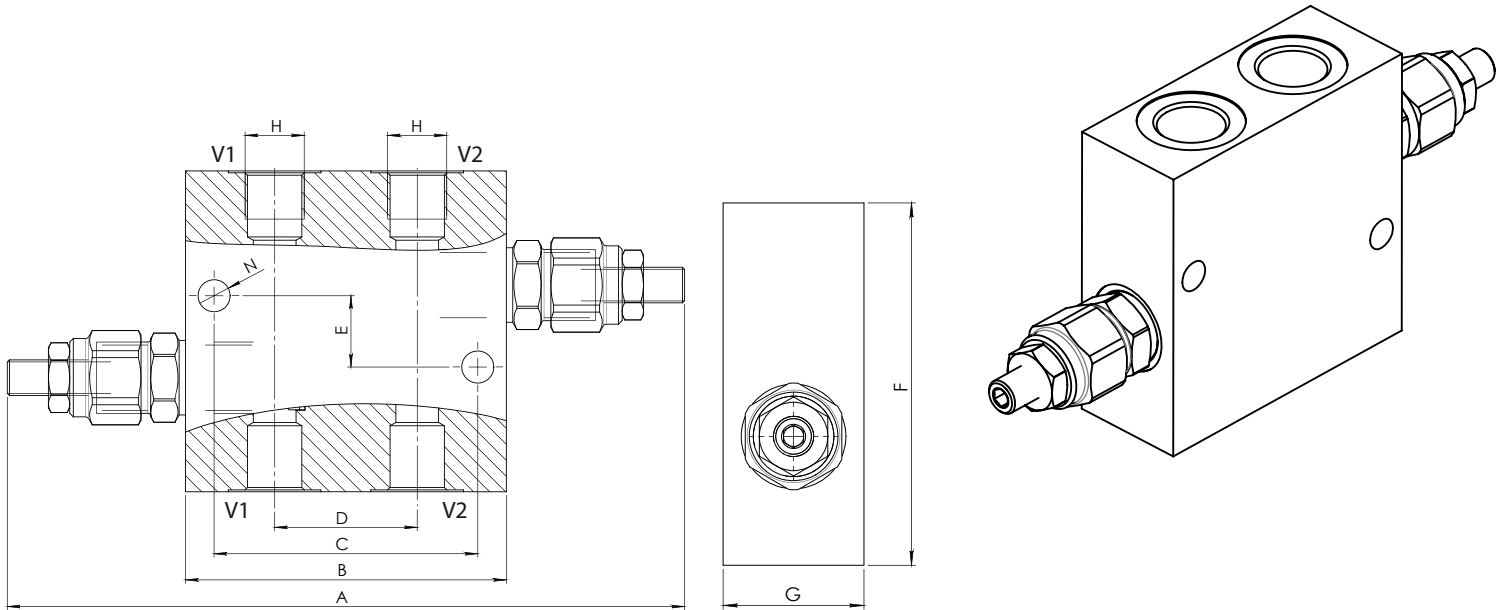
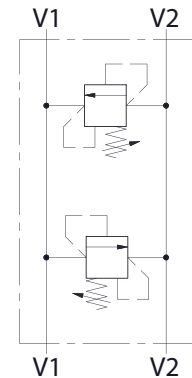


## Dimensions

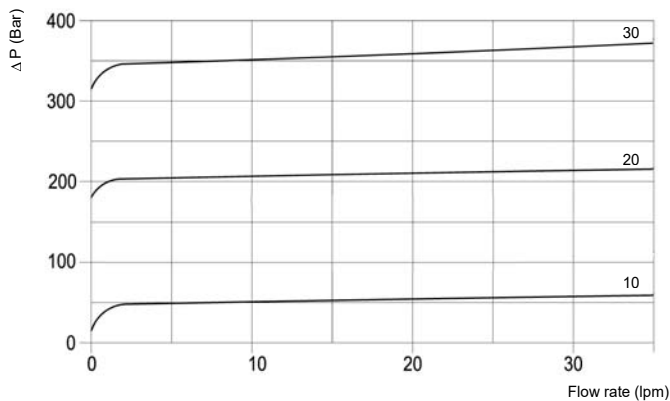


Size	A	B	C	D	E	F	G	H BSP	N	Weight kg
02	190	90	74	40	20	90	35	3/8	9	0,95
03	190	90	74	40	20	90	35	1/2	9	0,93

## Hydraulic Symbol



## Curves



## Features

Rated Flow	35 lpm
Max Pressure	350 bar

**Materials:** Zinc plated steel cartridge, hardened steel inner parts.  
Aluminium manifold.

## Ordering Code

**DPRL 35** -- -- -

Port Size BSP		Spring (bar)	
02	3/8	10	5-50
03	1/2	20	40-210
		30	100-350

Adjustments		
A		Socket Screw
B		Handknob
C		Tamperproof Cap

**Ordering Code Example:** DPRL350220A = 3/8 Port Size - 40-210 bar setting range, Socket screw adjustment.