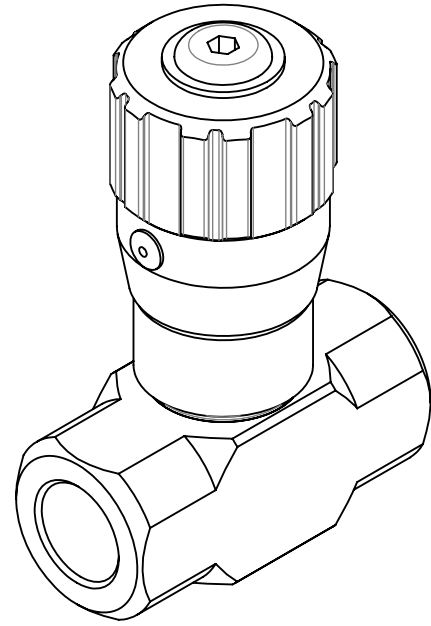
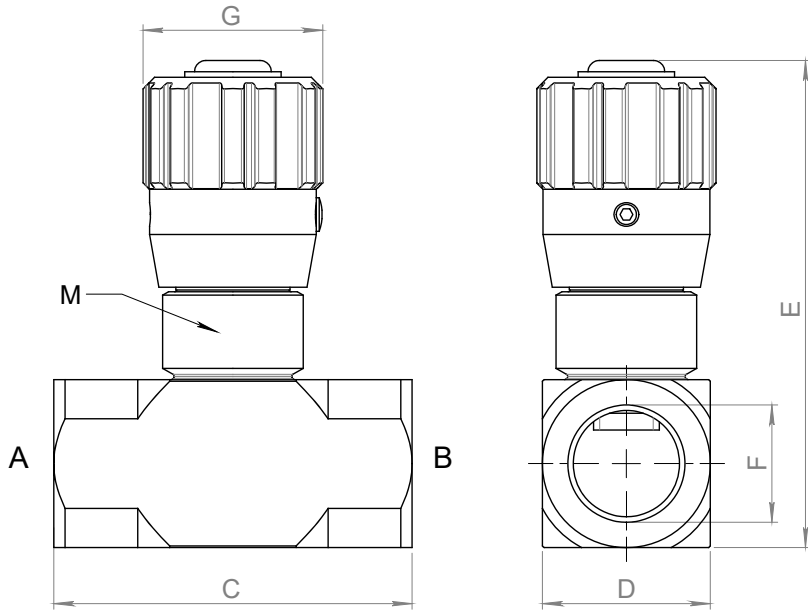
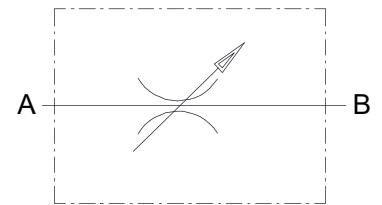


## Dimensions

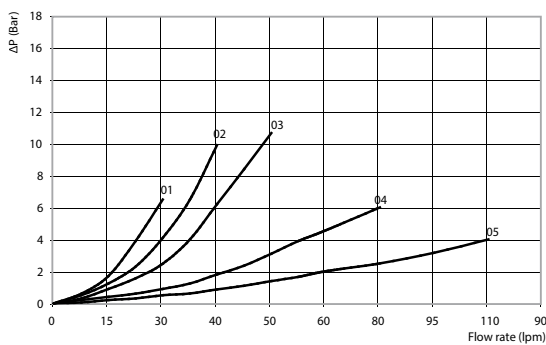


Size	F BSP	C	D	E	G	M	Weight kgs
01	1/4	58	25	82	32	M25x1	0,37
02	3/8	58	25	82	32	M25x1	0,35
03	1/2	64	30	86,5	32	M25x1	0,45
04	3/4	89	40	113	44	M35x1	1,16
05	1	89	40	111	44	M35x1	1,03

## Hydraulic Symbol



## Curves



## Features

Size	Max Pressure bar	Max Flow rate lpm
01	350	30
02	350	40
03	350	50
04	320	80
05	300	110

**Materials:** Zinc plated steel body, alloy handknob.

## Ordering Code

**FRB90**

--

Size BSP

01	1/4
02	3/8
03	1/2
04	3/4
05	1

**Ordering Code Example:** FRB9003 = Needle valve 1/2 BSP.