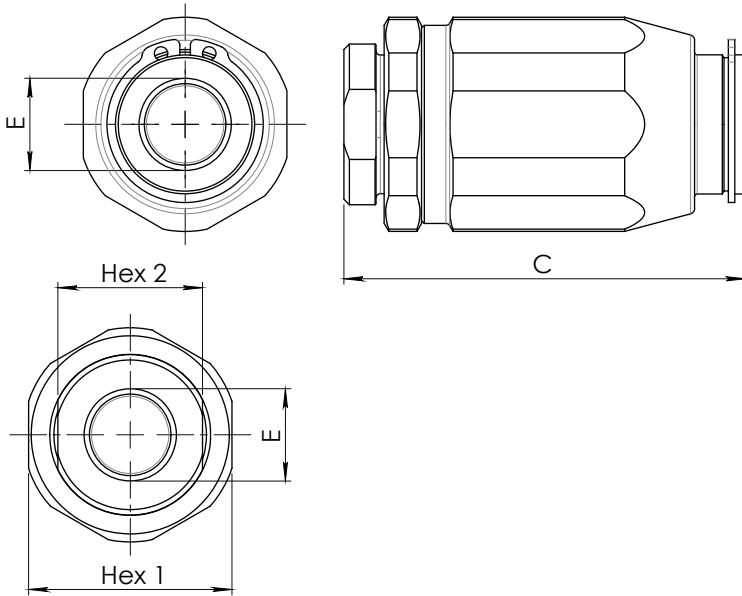
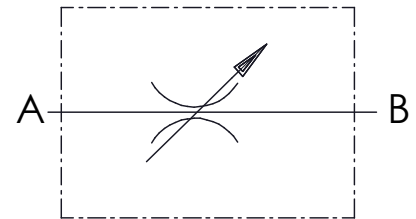


Dimensions

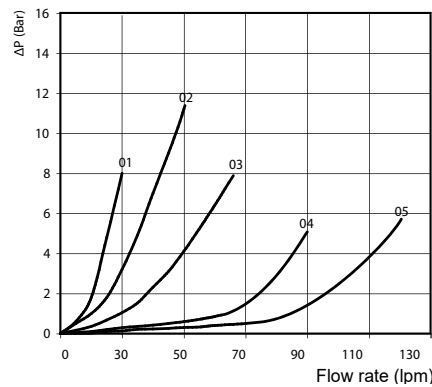


Size	C	E BSP	Hex 1	Hex 2	Weight kg	Max Pressure bar	Max Flow rate lpm
01	65	1/4	32	22	0,29	350	30
02	75	3/8	38	27	0,46	350	40
03	80	1/2	41	30	0,57	350	50
04	101	3/4	55	38	1,30	300	80
05	115	1	65	46	2,10	250	110

Hydraulic Symbol



Curves



Materials: Zinc plated steel.

Ordering Code

FRBB

--

Size BSP

01	1/4
02	3/8
03	1/2
04	3/4
05	1

Ordering Code Example: FRBB03 = 1/2 BSP.