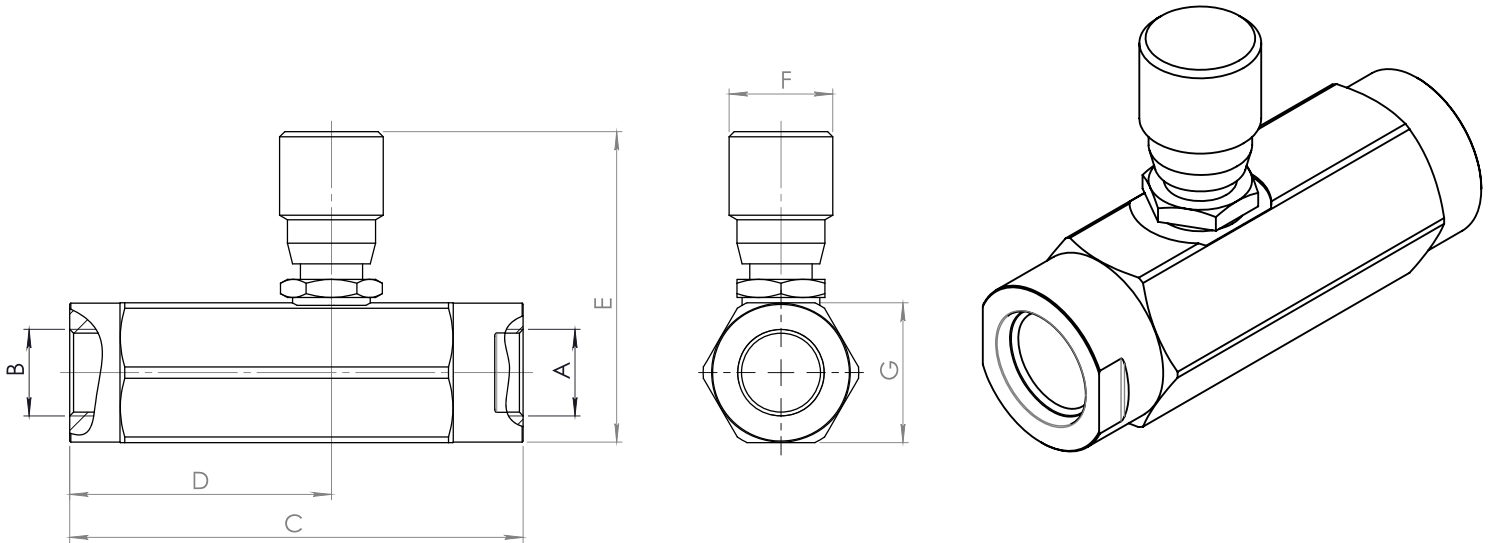
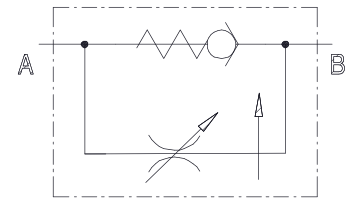


Dimensions

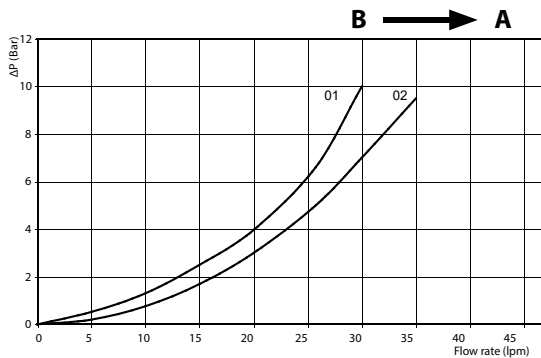


Size	A - B BSP	C	D	E max	F	G	Weight kgs
01	1/4	86	35	70	20	32	0,50
02	3/8	86	35	70	20	32	0,48

Hydraulic Symbol



Curves



Features

Size	01	02
Max Pressure (bar)	250	250
Max Flow AB (lpm)	17	17
Max Flow BA (lpm)	25	27

Materials: Zinc plated steel body, alloy handknob.

Ordering Code

FRC90 --

	Size BSP
01	1/4
02	3/8

Ordering Code Example: FRC9003 = 1/2 BSP.