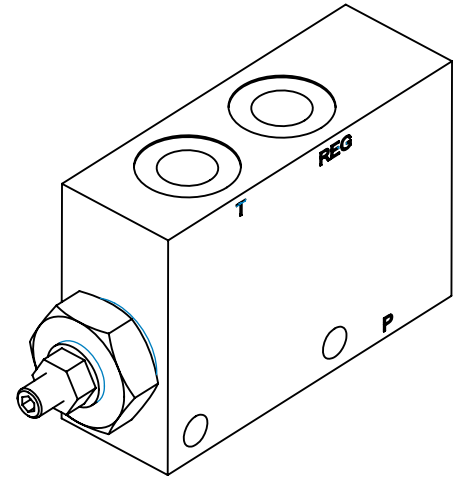
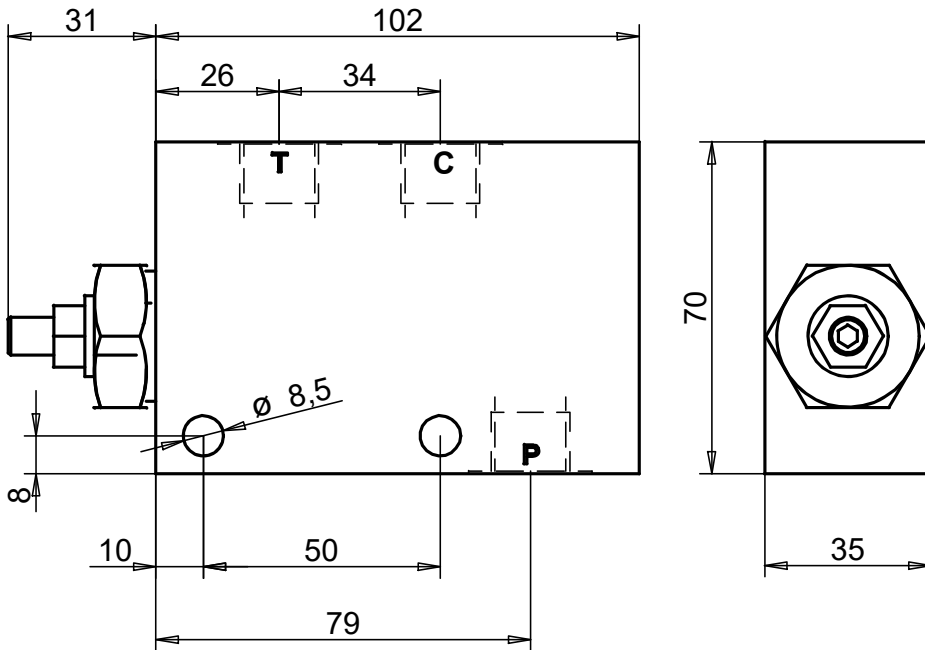
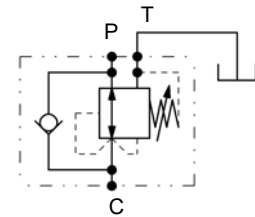


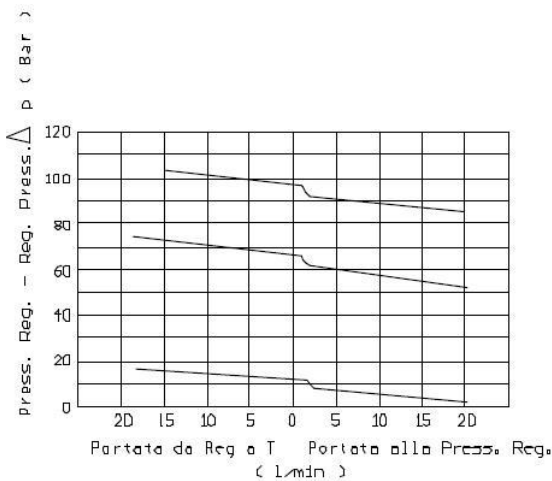
Dimensions



Hydraulic Symbol



Curves



Features

Max Pressure	260 bar
Max Flow	20 lpm
Std. Pressure range	15 - 105 bar

Materials: Zinc plated steel cartridge, hardened steel inner parts.
 Aluminium manifold.

Ordering Code

VARP	--
Port Size BSP	
02	3/8