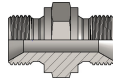


BSP Adaptors - A





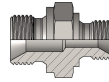
1700



Male stud connector BSP (ISO 8434-6)

7

1800



Reducing BSP Niple (ISO 8434-6)

8

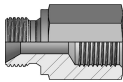
R605



Short Male-Female reducing (ISO 8434-6)

9

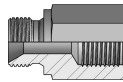
2000



Male-Female connector (ISO 8434-6)

10

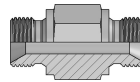
2010



Male-Female reducing (ISO 8434-6)

11

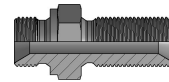
2020



Male/Male extention BSP (ISO 8434-6)

12

A108



Bulkhead Union (ISO 8434-6)

12

A107



Bulkhead locknut

13

4520



90° Union elbow BSP (ISO 8434-6)

13

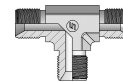
4530



45° Union Elbow BSP (ISO 8434-6)

14

4730



Union Tee BSP (ISO 8434-6)

14

4900



Union Cross BSP (ISO 8434-6)

15

4910



Unione a croce femmina BSP

15

4700



Swivel Run Tee (ISO 8434-6)

16

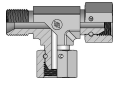
4710



Swivel Branch Tee (ISO 8434-6)

16

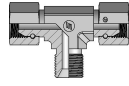
4800



Male Run Tee (ISO 8434-6)

17

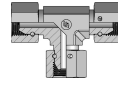
4810



Male Branch Tee (ISO 8434-6)

17

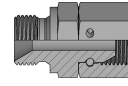
4720



Swivel Female Union Tee (ISO 8434-6)

18

2350



Reducing Female-Male BSP (ISO 8434-6)

19

4500



Swivel 90° Elbow (ISO 8434-6)

20

4510



Swivel 45° Elbow (ISO 8434-6)

20

3220



Swivel 90° Compact Elbow (ISO 8434-6)

21

3320



Swivel 45° Compact Elbow (ISO 8434-6)

21

2550



Swivel 90° Elbow (welded)

22

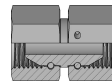
2650



Swivel 45° Elbow (welded)

22

2450



Straight swivel nut union BSP (ISO 8434-6)

23

4550



Swivel 90° Elbow BSP (ISO 8434-6)

23

2750



Swivel 90° Elbow (welded)

24

2850



Swivel 45° Elbow (welded)

24

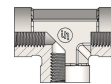
4570



90° Female Union Elbow BSP

25

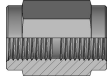
4820



Female Union Tee BSP

25

A105



Female Union (ISO 8434-6)

26

A608



Female plug BSP (ISO 8434-6)

27

A604



Female BSP plug (ISO 8434-6)

28

A605



Male plug BSP (ISO 8434-6)

29

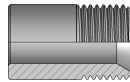
MG



Braze-on straight connector

30

220C



Braze-on straight connector

31

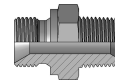
2200



Braze-on stud

31

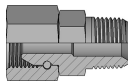
1865



Male stud connector BSP-BSPT

32

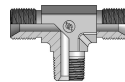
2360



Swivel Connector Female BSP/Male BSPT

33

4860



Terminale a T M BSP/ M BSPT centrale

34

4620



90° Male stud Elbow BSP-BSPT

34

4630



45° Male stud elbows BSP-BSPT

35

4600



Girevole a 90° F BSP-M BSPT

35

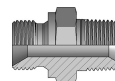
4610



Girevole a 45° F BSP-M BSPT

36

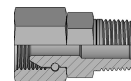
1875



Male stud connector BSP-NPTF

37

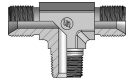
2365



Swivel Connector Female BSP/Male NPTF

38

4870



Terminale a T M BSP/ M
NPTF centrale

39

4670



90° Male stud Elbow
BSP-NPTF

39

4680



45° Male stud Elbow
BSP-NPTF

40

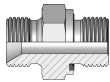
4650



Swivel 90° Elbow BSP-
NPTF

40

1700E



Male stud connector
BSP-BSPP (Form E ISO
1179-2)

41

3900



90° Adjustable stud
elbow BSP-BSP (ISO
1179)

42

3255



Adjustable 90° elbow
Swivel female BSP-BSP
(ISO 1179)

43

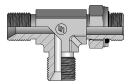
3950



45° Adjustable stud
elbow BSP-BSP (ISO
1179)

44

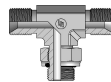
3600



Adjustable stud Run Tee
BSP-BSP (ISO 1179)

45

3605



Adjustable stud Branch
Tee BSP-BSP (ISO 1179)

46

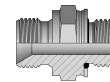
1805



Male stud connector
BSP-Metric

47

3510



Male stud connector
BSP-Metric with O'ring
and retaining ring

48

3910



90° Adjustable stud
elbow BSP-Metric with
O'ring and retaining ring

49

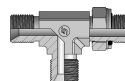
3410



45° Adjustable stud
elbow BSP-Metric with
O'ring and retaining ring

50

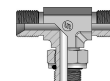
3610



Adjustable stud Run Tee
BSP-Metric with O'ring
and retaining ring

51

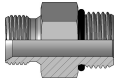
3615



Adjustable stud Branch
Tee BSP-Metric with
O'ring and retaining ring

52

3520



Male stud connector
BSP-UNF (ISO 11926)

53

3920



90° Adjustable stud
elbow BSP-UNF (ISO
11926)

54

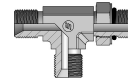
3420



45° Adjustable stud
elbow BSP-UNF (ISO
11926)

55

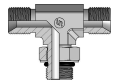
3620



Adjustable stud Run Tee
BSP-UNF (ISO 11926)

56

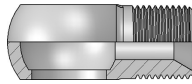
3625



Adjustable stud Branch
Tee BSP-UNF (ISO 11926)

57

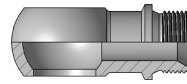
1550



BSP threaded Banjo Eye

58

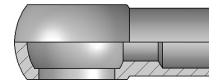
1560



BSP threaded Banjo Eye
with guide

58

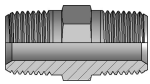
1450



Weldable BSP Banjo Eye

59

1860



Male stud connector
BSPT

59

4626



90° Male stud Elbow
BSPT

60

4625



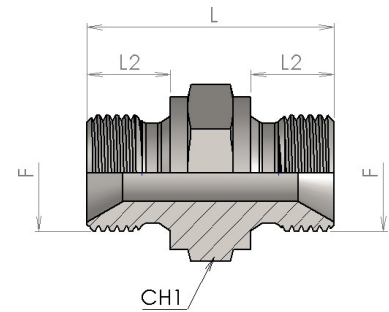
90° Male BSPT/Female
BSP Elbow

60

1700

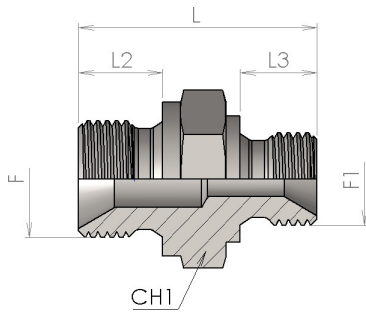
Male stud connector BSP (ISO 8434-6)

S



Product number	Ø tube		Thread F	Dimension			Weight kg/unit
	mm	inch		L	L2	CH1	
1700-02-02	6	1/4"	G 1/8	24	8	14	0.015
1700-04-04	8	5/16"	G 1/4	32	11	19	0.032
1700-06-06	10	3/8"	G 3/8	35.5	12	22	0.051
1700-08-08	12	1/2"	G 1/2	41.5	14	27	0.089
1700-10-10	16	5/8"	G 5/8	46	16	30	0.115
1700-12-12	20	3/4"	G 3/4	47	16	32	0.136
1700-16-16	25	1"	G 1	53	19	41	0.23
1700-20-20	32	1.1/4"	G 1 1/4	57	20	50	0.365
1700-24-24	38	1.1/2"	G 1 1/2	62	22	55	0.456
1700-32-32	50	2"	G 2	71	25	70	0.783

1800



Reducing BSP Niple (ISO 8434-6)

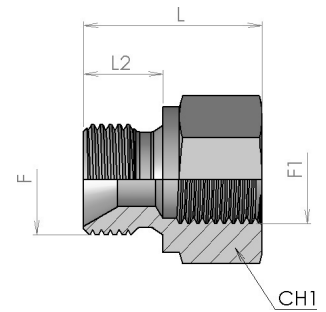
S

Product number	Ø tube		Thread		Dimension				Weight kg/unit
	mm	inch	F	F1	L	L2	L3	CH1	
1800-04-02	8-6	5/16"-1/4"	G 1/4	G 1/8	28.5	11	8	19	0.028
1800-06-02	10-6	3/8"-1/4"	G 3/8	G 1/8	31	12	8	22	0.041
1800-06-04	10-8	3/8"-5/16"	G 3/8	G 1/4	34	12	11	22	0.045
1800-08-04	12-8	1/2"-5/16"	G 1/2	G 1/4	37.5	14	11	27	0.072
1800-08-06	12-10	1/2"-3/8"	G 1/2	G 3/8	39.5	14	12	27	0.08
1800-10-08	16-12	5/8"-1/2"	G 5/8	G 1/2	41	16	14	30	0.097
1800-12-04	20-8	3/4"-5/16"	G 3/4	G 1/4	40	16	11	32	0.105
1800-12-06	20-10	3/4"-3/8"	G 3/4	G 3/8	43	16	12	32	0.118
1800-12-08	20-12	3/4"-1/2"	G 3/4	G 1/2	45	16	14	32	0.134
1800-12-10	20-16	3/4"-5/8"	G 3/4	G 5/8	46	16	16	32	0.126
1800-16-06	25-10	1"-3/8"	G 1	G 3/8	45.5	19	12	41	0.174
1800-16-08	25-12	1"-1/2"	G 1	G 1/2	48	19	14	41	0.185
1800-16-10	25-16	1"-5/8"	G 1	G 5/8	49	19	16	41	0.192
1800-16-12	25-20	1"-3/4"	G 1	G 3/4	49	19	16	41	0.19
1800-20-12	32-20	1.1/4"-3/4"	G 1 1/4	G 3/4	54	20	16	50	0.32
1800-20-16	32-25	1.1/4"-1"	G 1 1/4	G 1	55	20	19	50	0.323
1800-24-12	38-20	1.1/2"-3/4"	G 1 1/2	G 3/4	54	22	16	55	0.41
1800-24-16	38-25	1.1/2"-1"	G 1 1/2	G 1	59	22	19	55	0.414
1800-24-20	38-32	1.1/2"-1.1/4"	G 1 1/2	G 1 1/4	60	22	20	55	0.6
1800-32-16	50-25	2"-1"	G 2	G 1	64	22	19	70	0.612
1800-32-20	50-32	2"-1.1/4"	G 2	G 1 1/4	65.5	25	20	70	0.72
1800-32-24	50-38	2"-1.1/2"	G 2	G 1 1/2	67.5	25	22	70	0.735

R605

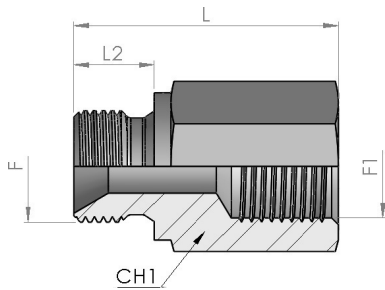
Short Male-Female reducing (ISO 8434-6)

S



Product number	Ø tube		Thread		Dimension			Weight
	mm	inch	F	F1	L	L2	CH1	kg/unit
R605-04-02	8-6	5/16"-1/4"	G 1/4	G 1/8	23	11	19	0.03
R605-06-02	10-6	3/8"-1/4"	G 3/8	G 1/8	21.5	12	22	0.036
R605-06-04	10-8	3/8"-5/16"	G 3/8	G 1/4	27	12	22	0.046
R605-08-04	12-8	1/2"-5/16"	G 1/2	G 1/4	25	14	27	0.061
R605-08-06	12-10	1/2"-3/8"	G 1/2	G 3/8	28.5	14	27	0.065
R605-12-04	20-8	3/4"-5/16"	G 3/4	G 1/4	27	16	32	0.098
R605-12-06	20-10	3/4"-3/8"	G 3/4	G 3/8	27	16	32	0.089
R605-12-08	20-12	3/4"-1/2"	G 3/4	G 1/2	33	16	32	0.072
R605-16-06	25-10	1"-3/8"	G 1	G 3/8	30	19	41	0.164
R605-16-08	25-12	1"-1/2"	G 1	G 1/2	31	19	41	0.161
R605-16-12	25-20	1"-3/4"	G 1	G 3/4	38	19	41	0.187
R605-20-12	32-20	1.1/4"-3/4"	G 1 1/4	G 3/4	34	20	50	0.27
R605-20-16	32-25	1.1/4"-1"	G 1 1/4	G 1	34	20	50	0.218
R605-24-12	38-20	1.1/2"-3/4"	G 1 1/2	G 3/4	39	22	55	0.407
R605-24-16	38-25	1.1/2"-1"	G 1 1/2	G 1	35	22	55	0.31
R605-24-20	38-32	1.1/2"-1.1/4"	G 1 1/2	G 1 1/4	45	22	55	0.267
R605-32-20	50-32	2"-1.1/4"	G 2	G 1 1/4	42.5	25	70	0.583
R605-32-24	50-38	2"-1.1/2"	G 2	G 1 1/2	42.5	25	70	0.51

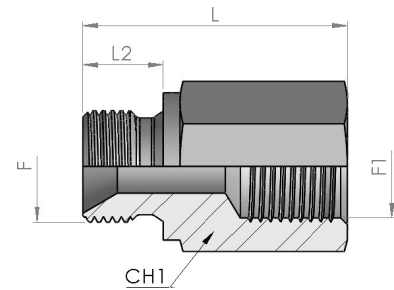
2000



Male-Female connector (ISO 8434-6)

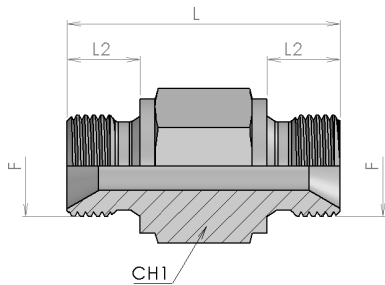
S

Product number	Ø tube		Thread		Dimension			Weight
	mm	inch	F	F1	L	L2	CH1	kg/unit
2000-02-26	6	1/4"	G 1/8	G 1/8	26	8	14	0.0188
2000-04-33	8	5/16"	G 1/4	G 1/4	33	11	19	0.041
2000-04-42	8	5/16"	G 1/4	G 1/4	42	11	19	0.06
2000-04-55	8	5/16"	G 1/4	G 1/4	55	11	19	0.077
2000-06-35	10	3/8"	G 3/8	G 3/8	35	12	22	0.0521
2000-06-42	10	3/8"	G 3/8	G 3/8	42	12	22	0.0782
2000-06-54	10	3/8"	G 3/8	G 3/8	54	12	22	0.0863
2000-06-65	10	3/8"	G 3/8	G 3/8	65	12	22	0.1134
2000-08-35	12	1/2"	G 1/2	G 1/2	35	14	27	0.0731
2000-08-45	12	1/2"	G 1/2	G 1/2	45	14	27	0.1025
2000-08-60	12	1/2"	G 1/2	G 1/2	60	14	27	0.1414
2000-08-80	12	1/2"	G 1/2	G 1/2	80	14	27	0.197
2000-12-48	20	3/4"	G 3/4	G 3/4	48	16	32	0.137
2000-12-64	20	3/4"	G 3/4	G 3/4	64	16	32	0.189
2000-12-75	20	3/4"	G 3/4	G 3/4	75	16	32	0.25
2000-16-50	25	1"	G 1	G 1	50	19	41	0.219
2000-16-90	25	1"	G 1	G 1	90	19	41	0.565
2000-20-62	32	1.1/4"	G 1 1/4	G 1 1/4	62	20	50	0.4075

Male-Female reducing (ISO 8434-6)
S


Product number	Ø tube		Thread		Dimension			Weight kg/unit
	mm	inch	F	F1	L	L2	CH1	
2010-02-04	6-8	1/4"-5/16"	G 1/4	G 1/8	25	11	19	0.034
2010-04-02	8-6	5/16"-1/4"	G 1/8	G 1/4	29	8	19	0,0,39
2010-04-06	8-10	5/16"-3/8"	G 3/8	G 1/4	35	12	22	0.066
2010-04-08	8-12	5/16"-1/2"	G 1/2	G 1/4	34	14	27	0.078
2010-06-04	10-8	3/8"-5/16"	G 1/4	G 3/8	36	11	22	0.05
2010-06-08	10-12	3/8"-1/2"	G 1/2	G 3/8	41	14	27	0.111
2010-08-04	12-8	1/2"-5/16"	G 1/4	G 1/2	35	11	27	0.071
2010-08-06	12-10	1/2"-3/8"	G 3/8	G 1/2	38	12	27	0.083
2010-08-12	12-20	1/2"-3/4"	G 3/4	G 1/2	43	16	32	0.162
2010-08-16	12-25	1/2"-1"	G 1	G 1/2	42	19	41	0.26
2010-12-04	20-8	3/4"-5/16"	G 1/4	G 3/4	41	11	32	0.113
2010-12-06	20-10	3/4"-3/8"	G 3/8	G 3/4	42.5	12	32	0.122
2010-12-08	20-12	3/4"-1/2"	G 1/2	G 3/4	53	14	32	0.148
2010-12-16	20-25	3/4"-1"	G 1	G 3/4	49	19	41	0.167
2010-16-08	25-12	1"-1/2"	G 1/2	G 1	45	14	41	0.181
2010-16-12	25-20	1"-3/4"	G 3/4	G 1	47	16	41	0.214
2010-16-20	25-32	1"-1.1/4"	G 1 1/4	G 1	51	20	50	0.254
2010-20-12	32-20	1.1/4"-3/4"	G 3/4	G 1 1/4	51	16	50	0.275
2010-20-16	32-25	1.1/4"-1"	G 1	G 1 1/4	53	19	50	0.298
2010-20-24	32-38	1.1/4"-1.1/2"	G 1 1/2	G 1 1/4	57	22	55	0.341
2010-24-16	38-25	1.1/2"-1"	G 1	G 1 1/2	54	19	55	0.355
2010-24-20	38-32	1.1/2"-1.1/4"	G 1 1/4	G 1 1/2	52	20	55	0.557
2010-32-20	50-32	2"-1.1/4"	G 1 1/4	G 2	66	20	70	0.807
2010-32-24	50-38	2"-1.1/2"	G 1 1/2	G 2	68	22	70	0.852

2020

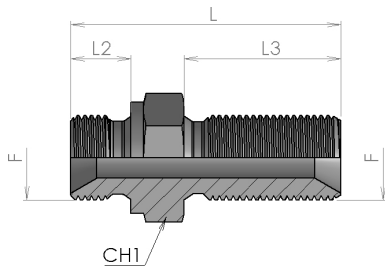


Male/Male extention BSP (ISO 8434-6)

S

Product number	Ø tube		Thread	Dimension			Weight
	mm	inch	F	L	L2	CH1	kg/unit
2020-04-04	8	5/16"	G 1/4	45	11	19	0.062
2020-06-06	10	3/8"	G 3/8	50	12	22	0.122
2020-08-08	12	1/2"	G 1/2	61	14	27	0.1948
2020-12-12	20	3/4"	G 3/4	73	16	32	0.248
2020-16-16	25	1"	G 1	84	19	41	0.48

A108



Bulkhead Union (ISO 8434-6)

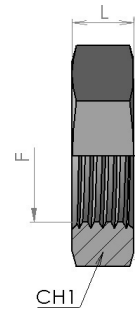
BHS

Product number	Ø tube		Thread	Dimension			Weight
	mm	inch	F	L	L2	CH1	kg/unit
A108-02Z	6	1/4"	G 1/8	34.5	8	14	0.02
A108-04Z	8	5/16"	G 1/4	46	11	19	0.057
A108-06Z	10	3/8"	G 3/8	53.5	12	22	0.084
A108-08Z	12	1/2"	G 1/2	60	14	27	0.122
A108-10Z	16	5/8"	G 5/8	65	16	30	0.146
A108-12Z	20	3/4"	G 3/4	66	16	32	0.209
A108-16Z	25	1"	G 1	73	19	41	0.328
A108-20Z	32	1.1/4"	G 1 1/4	79	20	50	0.507

A107

Bulkhead locknut

LN

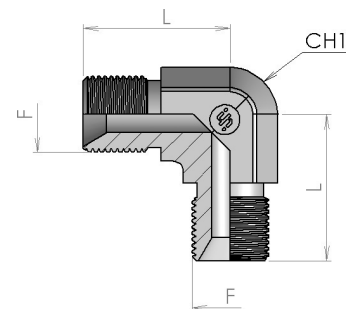


Product number	Ø tube		Thread F	Dimension		Weight kg/unit
	mm	inch		L	CH1	
A107-02	6	1/4"	G 1/8	5	14	0.004
A107-04	8	5/16"	G 1/4	6	19	0.009
A107-06	10	3/8"	G 3/8	7	22	0.013
A107-08	12	1/2"	G 1/2	8	27	0.021
A107-10	16	5/8"	G 5/8	9	30	0.027
A107-12	20	3/4"	G 3/4	9	32	0.029
A107-16	25	1"	G 1	10	41	0.055
A107-20	32	1.1/4"	G 1 1/4	13	50	0.089

4520

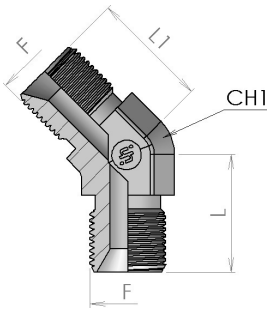
90° Union elbow BSP (ISO 8434-6)

E



Product number	Ø tube		Thread F	Dimension		Weight kg/unit
	mm	inch		L1	CH1	
4520-02	6	1/4"	G 1/8	22	12	0.021
4520-04	8	5/16"	G 1/4	27	14	0.045
4520-06	10	3/8"	G 3/8	32	19	0.085
4520-08	12	1/2"	G 1/2	36	22	0.123
4520-12	20	3/4"	G 3/4	42	27	0.178
4520-16	25	1"	G 1	46	33	0.288
4520-20	32	1.1/4"	G 1 1/4	52	41	0.512
4520-24	38	1.1/2"	G 1 1/2	59	50	0.824

4530

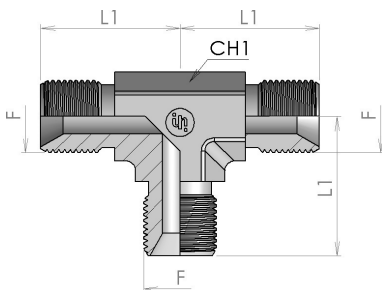


45° Union Elbow BSP (ISO 8434-6)

E45

Product number	Ø tube		Thread F	Dimension			Weight kg/unit
	mm	inch		L	L1	CH1	
4530-04	8	5/16"	G 1/4	21.5	21.5	14	0.045
4530-06	10	3/8"	G 3/8	26	26	19	0.085
4530-08	12	1/2"	G 1/2	30	29	22	0.123
4530-12	20	3/4"	G 3/4	35	33	27	0.178
4530-16	25	1"	G 1	38.5	37.5	33	0.288

4730



Union Tee BSP (ISO 8434-6)

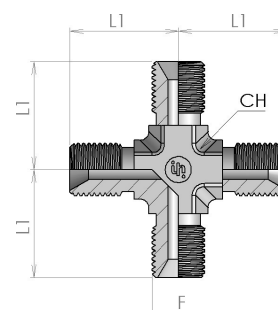
T

Product number	Ø tube		Thread F	Dimension		Weight kg/unit
	mm	inch		L1	CH1	
4730-02	6	1/4"	G 1/8	22	12	0.033
4730-04	8	5/16"	G 1/4	27	14	0.061
4730-06	10	3/8"	G 3/8	32	19	0.105
4730-08	12	1/2"	G 1/2	36	22	0.157
4730-12	20	3/4"	G 3/4	42	27	0.258
4730-16	25	1"	G 1	46	33	0.591
4730-20	32	1.1/4"	G 1 1/4	52	41	0.646
4730-24	38	1.1/2"	G 1 1/2	59	50	0.94

4900

Union Cross BSP (ISO 8434-6)

K

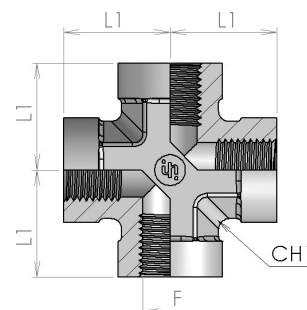


Product number	Ø tube		Thread	Dimension		Weight
	mm	inch	F	L1	CH1	kg/unit
4900-04	8	5/16"	G 1/4	27	14	0.081
4900-06	10	3/8"	G 3/8	32	19	0.13
4900-08	12	1/2"	G 1/2	36	22	0.181
4900-12	20	3/4"	G 3/4	42	27	0.312

4910

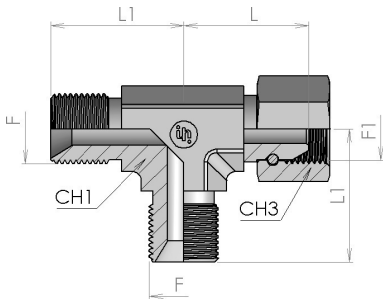
Unione a croce femmina BSP

K



Product number	Ø tube		Thread	Dimension		Weight
	mm	inch	F	L1	CH1	kg/unit
4910-02	6	1/4"	G 1/8	17	14	0.045
4910-04	8	5/16"	G 1/4	22.5	19	0.113
4910-06	10	3/8"	G 3/8	26	22	0.154
4910-08	12	1/2"	G 1/2	31	27	0.257

4700

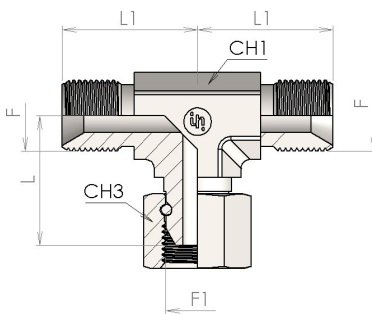


Swivel Run Tee (ISO 8434-6)

SWRT

Product number	Ø tube		Thread		Dimension				Weight kg/unit
	mm	inch	F	F1	L	L1	CH1	CH3	
4700-02	6	1/4"	G 1/8	G 1/8	20	22	12	14	0.057
4700-04	8	5/16"	G 1/4	G 1/4	25	27	14	19	0.084
4700-06	10	3/8"	G 3/8	G 3/8	30	32	19	22	0.152
4700-08	12	1/2"	G 1/2	G 1/2	34	36	22	27	0.231
4700-12	20	3/4"	G 3/4	G 3/4	40	42	27	32	0.305
4700-16	25	1"	G 1	G 1	43	46	33	41	0.474
4700-20	32	1.1/4"	G 1 1/4	G 1 1/4	49	52	41	50	0.935
4700-24	38	1.1/2"	G 1 1/2	G 1 1/2	60	59	50	55	1.427

4710



Swivel Branch Tee (ISO 8434-6)

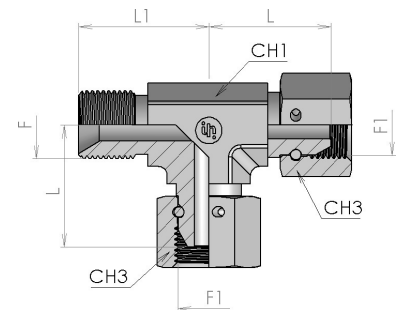
SWBT

Product number	Ø tube		Thread		Dimension				Weight kg/unit
	mm	inch	F	F1	L	L1	CH1	CH3	
4710-02	6	1/4"	G 1/8	G 1/8	20	22	12	14	0.057
4710-04	8	5/16"	G 1/4	G 1/4	25	27	14	19	0.084
4710-06	10	3/8"	G 3/8	G 3/8	30	32	19	22	0.152
4710-08	12	1/2"	G 1/2	G 1/2	34	36	22	27	0.231
4710-12	20	3/4"	G 3/4	G 3/4	40	42	27	32	0.305
4710-16	25	1"	G 1	G 1	43	46	33	41	0.474
4710-20	32	1.1/4"	G 1 1/4	G 1 1/4	49	52	41	50	0.935
4710-24	38	1.1/2"	G 1 1/2	G 1 1/2	60	59	50	55	1.427

4800

Male Run Tee (ISO 8434-6)

SWRT

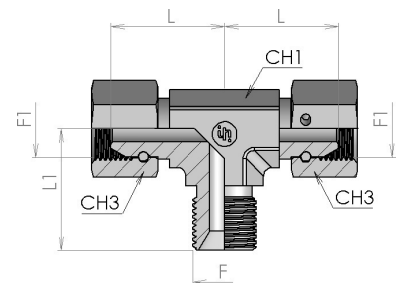


Product number	Ø tube		Thread		Dimension				Weight kg/unit
	mm	inch	F	F1	L	L1	CH1	CH3	
4800-04	8	5/16"	G 1/4	G 1/4	25	27	14	19	0.106
4800-06	10	3/8"	G 3/8	G 3/8	30	32	19	22	0.182
4800-08	12	1/2"	G 1/2	G 1/2	34	36	22	27	0.281
4800-12	20	3/4"	G 3/4	G 3/4	40	42	27	32	0.376
4800-16	25	1"	G 1	G 1	43	46	33	41	0.565

4810

Male Branch Tee (ISO 8434-6)

SWBT

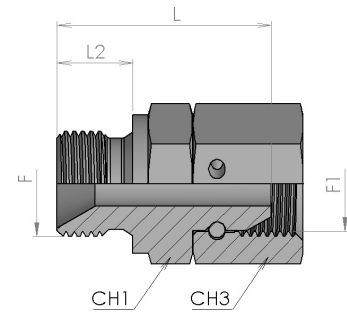


Product number	Ø tube		Thread		Dimension				Weight kg/unit
	mm	inch	F	F1	L	L1	CH1	CH3	
4810-04	8	5/16"	G 1/4	G 1/4	25	27	14	19	0.106
4810-06	10	3/8"	G 3/8	G 3/8	30	32	19	22	0.182
4810-08	12	1/2"	G 1/2	G 1/2	34	36	22	27	0.281
4810-12	20	3/4"	G 3/4	G 3/4	40	42	27	32	0.376
4810-16	25	1"	G 1	G 1	43	46	33	41	0.565

2350

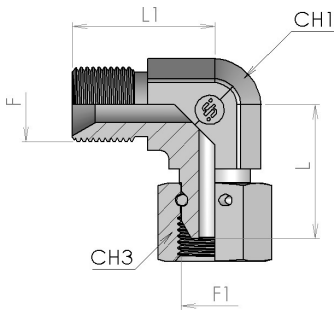
Reducing Female-Male BSP (ISO 8434-6)

RDSW



Product number	Ø tube		Thread		Dimension				Weight
	mm	inch	F	F1	L	L2	CH1	CH3	kg/unit
2350-02-02	6	1/4"	G 1/8	G 1/8	23	8	14	14	0.03
2350-04-04	8	5/16"	G 1/4	G 1/4	29	11	19	19	0.049
2350-04-06	8-10	5/16"-3/8"	G 1/4	G 3/8	31.5	11	19	22	0.064
2350-06-04	10-8	3/8"-5/16"	G 3/8	G 1/4	31.5	12	22	19	0.061
2350-06-06	10	3/8"	G 3/8	G 3/8	34	12	22	22	0.076
2350-06-08	10-12	3/8"-1/2"	G 3/8	G 1/2	36	12	22	27	0.105
2350-06-12	10-20	3/8"-3/4"	G 3/8	G 3/4	39	12	27	32	0.145
2350-08-06	12-10	1/2"-3/8"	G 1/2	G 3/8	37.5	14	27	22	0.099
2350-08-08	12	1/2"	G 1/2	G 1/2	39.5	14	27	27	0.128
2350-08-10	12-16	1/2"-5/8"	G 1/2	G 5/8	37	14	27	30	0.16
2350-08-12	12-20	1/2"-3/4"	G 1/2	G 3/4	40	14	27	32	0.152
2350-10-10	16	5/8"	G 5/8	G 5/8	39	16	30	30	0.164
2350-12-08	20-12	3/4"-1/2"	G 3/4	G 1/2	39	16	32	27	0.161
2350-12-12	20	3/4"	G 3/4	G 3/4	43.5	16	32	32	0.188
2350-12-16	20-25	3/4"-1"	G 3/4	G 1	44	16	32	38	0.214
2350-16-12	25-20	1"-3/4"	G 1	G 3/4	47.5	19	41	32	0.258
2350-16-16	25	1"	G 1	G 1	48	19	41	41	0.279
2350-16-20	25-32	1"-1.1/4"	G 1	G 1 1/4	50.5	19	41	50	0.426
2350-20-20	32	1.1/4"	G 1 1/4	G 1 1/4	54.5	20	50	50	0.536
2350-24-20	38-32	1.1/2"-1.1/4"	G 1 1/2	G 1 1/4	55.5	22	55	50	0.587
2350-24-24	38	1.1/2"	G 1 1/2	G 1 1/2	57.5	22	55	55	0.619
2350-32-32	50	2"	G 2	G 2	62.5	25	70	70	0.781

4500

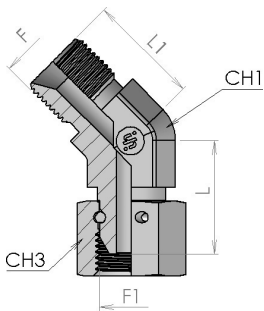


Swivel 90° Elbow (ISO 8434-6)

SWE

Product number	Ø tube		Thread		Dimension				Weight
	mm	inch	F	F1	L	L1	CH1	CH3	kg/unit
4500-02	6	1/4"	G 1/8	G 1/8	20	22	12	14	0.026
4500-04	8	5/16"	G 1/4	G 1/4	25	27	14	19	0.062
4500-06	10	3/8"	G 3/8	G 3/8	30	32	19	22	0.104
4500-08	12	1/2"	G 1/2	G 1/2	36	34	22	27	0.159
4500-10	16	5/8"	G 5/8	G 5/8	36	36	22	30	0.158
4500-12	20	3/4"	G 3/4	G 3/4	40	42	27	32	0.226
4500-16	25	1"	G 1	G 1	43	46	33	41	0.377
4500-20	32	1.1/4"	G 1.1/4	G 1.1/4	49	52	41	50	0.65
4500-24	38	1.1/2"	G 1.1/2	G 1.1/2	60	59	50	55	0.999

4510



Swivel 45° Elbow (ISO 8434-6)

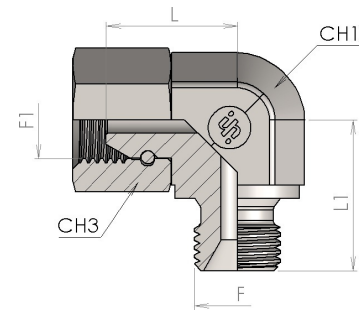
SWE45

Product number	Ø tube		Thread		Dimension				Weight
	mm	inch	F	F1	L	L1	CH1	CH3	kg/unit
4510-02	6	1/4"	G 1/8	G 1/8	19	20	12	14	0.026
4510-04	8	5/16"	G 1/4	G 1/4	23.5	21.5	14	19	0.062
4510-06	10	3/8"	G 3/8	G 3/8	26	26	19	22	0.104
4510-08	12	1/2"	G 1/2	G 1/2	32	29	22	27	0.159
4510-12	20	3/4"	G 3/4	G 3/4	33	32	27	32	0.226
4510-16	25	1"	G 1	G 1	37	37.5	33	41	0.377
4510-20	32	1.1/4"	G 1.1/4	G 1.1/4	37	39	41	50	0.411
4510-24	38	1.1/2"	G 1.1/2	G 1.1/2	47	46	50	55	0.649

3220

Swivel 90° Compact Elbow (ISO 8434-6)

SWE

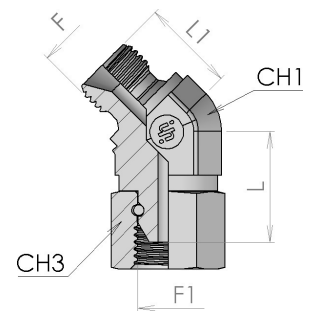


Product number	Ø tube		Thread		Dimension				Weight kg/unit
	mm	inch	F	F1	L	L1	CH1	CH3	
3220-02-02	6	1/4"	G 1/8	G 1/8	17	17	14	14	0.026
3220-04-04	8	5/16"	G 1/4	G 1/4	20	23	19	19	0.061
3220-06-06	10	3/8"	G 3/8	G 3/8	24	25	22	22	0.089
3220-08-08	12	1/2"	G 1/2	G 1/2	28	31	27	27	0.157
3220-12-12	20	3/4"	G 3/4	G 3/4	34	35	33	32	0.293
3220-16-16	25	1"	G 1	G 1	39	43	41	41	0.473
3220-20-20	32	1.1/4"	G 1 1/4	G 1 1/4	47	50	50	50	0.855
3200-24-24	38	1.1/2"	G 1 1/2	G 1 1/2	57	56	60	55	1.17
3200-32-32	50	2"	G 2	G 2	60	67	75	70	2.011

3320

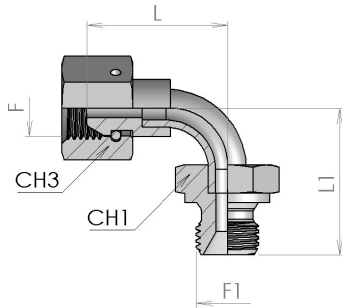
Swivel 45° Compact Elbow (ISO 8434-6)

SWE45



Product number	Ø tube		Thread		Dimension				Weight kg/unit
	mm	inch	F	F1	L	L1	CH1	CH3	
3320-04-04	8	5/16"	G 1/4	G 1/4	22.5	18	19	19	0.054
3320-06-06	10	3/8"	G 3/8	G 3/8	25	21.5	22	22	0.082
3320-08-08	12	1/2"	G 1/2	G 1/2	32	22.5	27	27	0.141
3320-12-12	20	3/4"	G 3/4	G 3/4	35.5	31.5	32	32	0.248
3320-16-16	25	1"	G 1	G 1	42	33	41	38	0.443

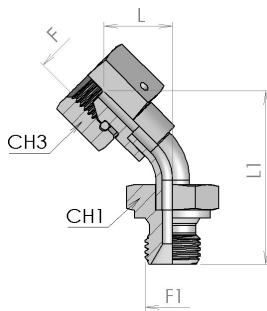
2550



Swivel 90° Elbow (welded)

Product number	Ø tube		Thread		Dimension				Weight
	mm	inch	F	F1	L	L1	CH1	CH3	kg/unit
2550-04-04	8	5/16"	G 1/4	G 1/4	30	32	19	19	0.062
2550-06-06	10	3/8"	G 3/8	G 3/8	37	38	22	22	0.102
2550-08-08	12	1/2"	G 1/2	G 1/2	44	43	27	27	0.108
2550-12-12	20	3/4"	G 3/4	G 3/4	59	62	32	32	0.243
2550-16-16	25	1"	G 1	G 1	66	68	41	41	0.422
2550-20-20	32	1.1/4"	G 1 1/4	G 1 1/4	71	76	50	50	0.575
2550-24-24	38	1.1/2"	G 1 1/2	G 1 1/2	89	93	55	55	0.707
2550-32-32	50	2"	G 2	G 2	113	123	70	70	1.626

2650



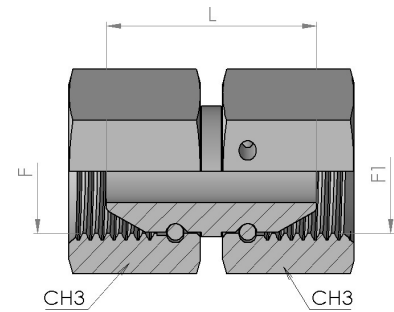
Swivel 45° Elbow (welded)

Product number	Ø tube		Thread		Dimension				Weight
	mm	inch	F	F1	L	L1	CH1	CH3	kg/unit
2650-04-04	8	5/16"	G 1/4	G 1/4	17	44	19	19	0.062
2650-06-06	10	3/8"	G 3/8	G 3/8	20	52	22	22	0.102
2650-08-08	12	1/2"	G 1/2	G 1/2	23	53	27	27	0.108
2650-12-12	20	3/4"	G 3/4	G 3/4	29	73	32	32	0.243
2650-16-16	25	1"	G 1	G 1	35	85	41	41	0.422
2650-20-20	32	1.1/4"	G 1 1/4	G 1 1/4	33	84	50	50	0.575
2650-24-24	38	1.1/2"	G 1 1/2	G 1 1/2	41	103	55	55	0.707
2650-32-32	50	2"	G 2	G 2	53	134	65	70	1.626

2450

Straight swivel nut union BSP (ISO 8434-6)

S

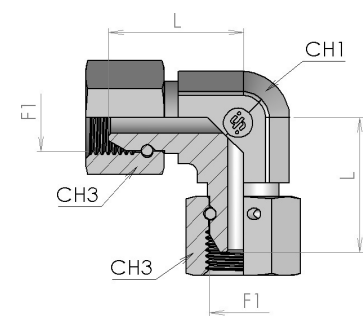


Product number	Ø tube		Thread		Dimension		Weight kg/unit
	mm	inch	F	F1	L	CH3	
2450-02-02	6	1/4"	G 1/8	G 1/8	10	14	0.023
2450-04-04	8	5/16"	G 1/4	G 1/4	22	19	0.061
2450-06-06	10	3/8"	G 3/8	G 3/8	29	22	0.084
2450-08-08	12	1/2"	G 1/2	G 1/2	32	27	0.137
2450-10-10	16	5/8"	G 5/8	G 5/8	29	30	0.177
2450-12-12	20	3/4"	G 3/4	G 3/4	37.5	32	0.206
2450-16-16	25	1"	G 1	G 1	42	41	0.2946
2450-20-20	32	1.1/4"	G 1 1/4	G 1 1/4	50	50	0.618
2450-24-24	38	1.1/2"	G 1 1/2	G 1 1/2	53	55	0.714
2450-32-32	50	2"	G 2	G 2	50	70	1.135

4550

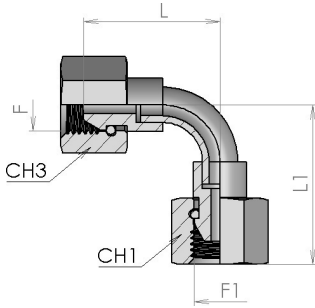
Swivel 90° Elbow BSP (ISO 8434-6)

E



Product number	Ø tube		Dimension		Weight kg/unit
	mm	inch	CH1	CH3	
4550-04	8	5/16"	14	19	0.044
4550-06	10	3/8"	19	22	0.088
4550-08	12	1/2"	22	27	0.134
4550-12	20	3/4"	27	32	0.219
4550-16	25	1"	32	41	0.339
4550-20	32	1.1/4"	41	50	0.576
4550-24	38	1.1/2"	50	55	0.978

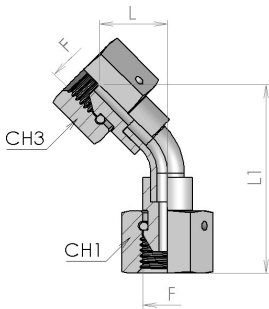
2750



Swivel 90° Elbow (welded)

Product number	Ø tube		Thread		Dimension				Weight
	mm	inch	F	F1	L	L1	CH1	CH3	kg/unit
2750-04-04	8	5/16"	G 1/4	G 1/4	30	35	19	19	0.07
2750-06-06	10	3/8"	G 3/8	G 3/8	37	43	22	22	0.107
2750-08-08	12	1/2"	G 1/2	G 1/2	44	49	27	27	0.111
2750-12-12	20	3/4"	G 3/4	G 3/4	59	67	32	32	0.252
2750-16-16	25	1"	G 1	G 1	66	76	38	41	0.431
2750-20-20	32	1.1/4"	G 1 1/4	G 1 1/4	71	70	50	50	0.586
2750-24-24	38	1.1/2"	G 1 1/2	G 1 1/2	89	98	55	55	0.718
2750-32-32	50	2"	G 2	G 2	113	127	70	70	1.711

2850



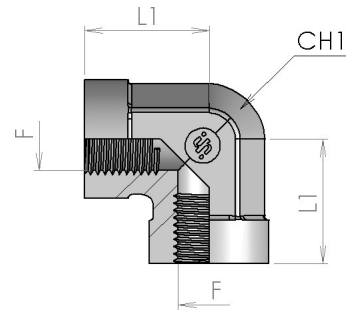
Swivel 45° Elbow (welded)

Product number	Ø tube		Thread		Dimension				Weight
	mm	inch	F	F1	L	L1	CH1	CH3	kg/unit
2850-04-04	8	5/16"	G 1/4	G 1/4	17	47	19	19	0.07
2850-06-06	10	3/8"	G 3/8	G 3/8	20	57	22	22	0.107
2850-08-08	12	1/2"	G 1/2	G 1/2	23	59	27	27	0.111
2850-12-12	20	3/4"	G 3/4	G 3/4	29	79	32	32	0.252
2850-16-16	25	1"	G 1	G 1	35	93	38	41	0.431
2850-20-20	32	1.1/4"	G 1 1/4	G 1 1/4	33	87	50	50	0.586
2850-24-24	38	1.1/2"	G 1 1/2	G 1 1/2	41	108	55	55	0.718
2850-32-32	50	2"	G 2	G 2	53	139	70	70	1.711

4570

90° Female Union Elbow BSP

E

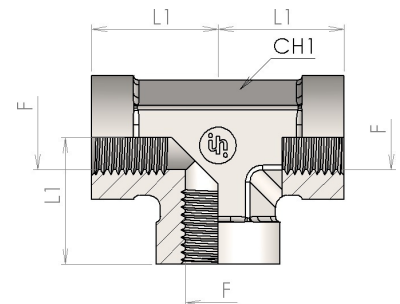


Product number	Ø tube		Thread F	Dimension		Weight kg/unit
	mm	inch		L1	CH1	
4570-02	6	1/4"	G 1/8	17	14	0.06
4570-04	8	5/16"	G 1/4	22.5	19	0.081
4570-06	10	3/8"	G 3/8	26	22	0.01
4570-08	12	1/2"	G 1/2	31	27	0.184
4570-12	20	3/4"	G 3/4	34.5	33	0.263
4570-16	25	1"	G 1	41	41	0.502
4570-20	32	1.1/4"	G 1 1/4	43	50	0.663

4820

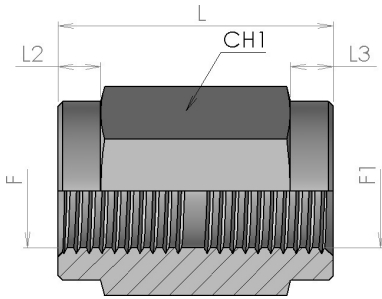
Female Union Tee BSP

T



Product number	Ø tube		Thread F	Dimension		Weight kg/unit
	mm	inch		L1	CH1	
4820-02	6	1/4"	G 1/8	17	14	0.04
4820-04	8	5/16"	G 1/4	22.5	19	0.074
4820-06	10	3/8"	G 3/8	26	22	0.111
4820-08	12	1/2"	G 1/2	31	27	0.177
4820-12	20	3/4"	G 3/4	34.5	33	0.294
4820-16	25	1"	G 1	41	41	0.567
4820-20	32	1.1/4"	G 1 1/4	43	50	0.0835

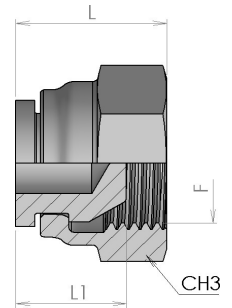
A105



Female Union (ISO 8434-6)

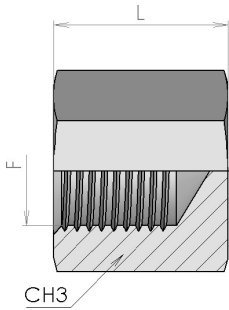
S

Product number	Ø tube		Thread		Dimension				Weight kg/unit
	mm	inch	F	F1	L	L2	L3	CH1	
A105-02-02	6	1/4"	G 1/8	G 1/8	21	4.5	4.5	14	0.015
A105-02-04	6-8	1/4"-5/16"	G 1/8	G 1/4	29	4.5	4.5	19	0.029
A105-04-04	8	5/16"	G 1/4	G 1/4	29	4.5	4.5	19	0.034
A105-04-06	8-10	5/16"-3/8"	G 1/4	G 3/8	31	4.5	4.5	22	0.059
A105-06-06	10	3/8"	G 3/8	G 3/8	29	4.5	4.5	22	0.048
A105-06-08	10-12	3/8"-1/2"	G 3/8	G 1/2	32	4.5	4.5	27	0.082
A105-08-08	12	1/2"	G 1/2	G 1/2	34	4.5	4.5	27	0.081
A105-08-12	12-20	1/2"-3/4"	G 1/2	G 3/4	38	4.5	4.5	32	0.126
A105-12-12	20	3/4"	G 3/4	G 3/4	38	4.5	4.5	32	0.108
A105-12-16	20-25	3/4"-1"	G 3/4	G 1	43	4.5	4.5	41	0.152
A105-16-16	25	1"	G 1	G 1	43	4.5	4.5	41	0.211
A105-20-20	32	1.1/4"	G 1 1/4	G 1 1/4	47	4.5	4.5	50	0.312
A105-24-24	38	1.1/2"	G 1 1/2	G 1 1/2	51	4.5	4.5	55	0.357
A105-32-32	50	2"	G 2	G 2	57	4.5	4.5	70	0.591

A608**Female plug BSP (ISO 8434-6)****BRNP**

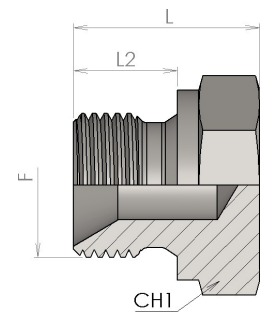
Product number	Ø tube		Thread	Dimension			Weight
	mm	inch	F	L	L1	CH3	kg/unit
A608-02	6	1/4"	G 1/8	14	10.5	14	0.003
A608-04	8	5/16"	G 1/4	16	12	19	0.008
A608-06	10	3/8"	G 3/8	20	15	22	0.014
A608-08	12	1/2"	G 1/2	24	17	27	0.024
A608-10	16	5/8"	G 5/8	24	15	30	0.27
A608-12	20	3/4"	G 3/4	27	19	32	0.044
A608-16	25	1"	G 1	31	21	41	0.076
A608-20	32	1.1/4"	G 1 1/4	31	23.5	50	0.144
A608-24	38	1.1/2"	G 1 1/2	31	25.5	55	0.195
A608-32	50	2"	G 2	36	23	70	0.286

A604



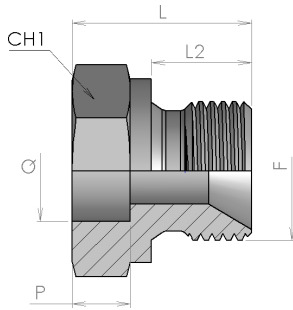
Female BSP plug (ISO 8434-6)

Product number	Ø tube		Thread F	Dimension		Weight kg/unit
	mm	inch		L	CH3	
A604-02	6	1/4"	G 1/8	15.5	14	0.017
A604-04	8	5/16"	G 1/4	19	19	0.032
A604-06	10	3/8"	G 3/8	17	22	0.05
A604-08	12	1/2"	G 1/2	23	27	0.07
A604-10	16	5/8"	G 5/8	19	30	0.093
A604-12	20	3/4"	G 3/4	22	32	0.109
A604-16	25	1"	G 1	31	41	0.202
A604-20	32	1.1/4"	G 1 1/4	36	50	0.371
A604-24	38	1.1/2"	G 1 1/2	41	55	0.494
A604-32	50	2"	G 2	45.5	70	0.881

A605**Male plug BSP (ISO 8434-6)****PL**

Product number	Ø tube		Thread F	Dimension			Weight kg/unit
	mm	inch		L	L2	CH1	
A605-02	6	1/4"	G 1/8	14.5	8	14	0.011
A605-04	8	5/16"	G 1/4	19	11	19	0.024
A605-06	10	3/8"	G 3/8	21.5	12	22	0.039
A605-08	12	1/2"	G 1/2	25	14	27	0.067
A605-10	16	5/8"	G 5/8	27	16	30	0.088
A605-12	20	3/4"	G 3/4	27	16	32	0.098
A605-16	25	1"	G 1	31	19	41	0.168
A605-20	32	1.1/4"	G 1 1/4	34	20	50	0.317
A605-24	38	1.1/2"	G 1 1/2	39	22	55	0.434
A605-32	50	2"	G 2	42.5	25	70	0.76

MG



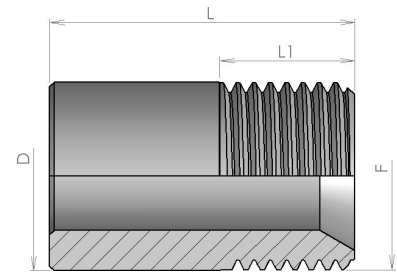
Braze-on straight connector

BRS

Product number	Ø tube		Thread	Dimension					Weight
	mm	inch	F	P	Q	L	L2	CH1	kg/unit
MG-04-08	8	5/16"	G 1/4	6	8	19	11	19	0.023
MG-06-12	10	3/8"	G 3/8	7	12	21.5	12	22	0.034
MG-08-14	12	1/2"	G 1/2	8	14	25	14	27	0.057
MG-08-16	12	1/2"	G 1/2	8	16	25	14	27	0.055
MG-08-18	12	1/2"	G 1/2	8	18	25	14	27	0.053
MG-08-20	12	1/2"	G 1/2	5	20	24	14	27	0.051
MG-12-20	20	3/4"	G 3/4	9	20	27	16	32	0.083
MG-12-22	20	3/4"	G 3/4	8	22	27	16	32	0.08
MG-12-25	20	3/4"	G 3/4	9	25	27	16	32	0.07
MG-16-25	25	1"	G 1	9	25	30	19	41	0.147
MG-16-30	25	1"	G 1	9	30	30	19	41	0.132
MG-20-32	32	1.1/4"	G 1 1/4	9	32	34	20	50	0.25
MG-24-38	38	1.1/2"	G 1 1/2	10	38	35	22	55	0.281

220C

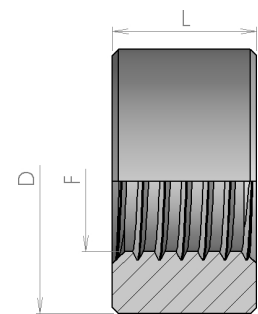
Braze-on straight connector



Product number	Ø tube		Thread	Dimension			Weight
	mm	inch	F	D	L	L1	kg/unit
220C-02	6	1/4"	G 1/8	10	22	9	0.01
220C-04	8	5/16"	G 1/4	14	30	12	0.024
220C-06	10	3/8"	G 3/8	17	32	14	0.036
220C-08	12	1/2"	G 1/2	21	34	15	0.056
220C-12	20	3/4"	G 3/4	28	40	16	0.12
220C-16	25	1"	G 1	34	41	19	0.167
220C-20	32	1.1/4"	G 1 1/4	48	50	23	0.355

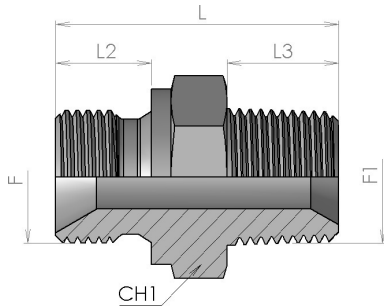
2200

Braze-on stud



Product number	Ø tube		Thread	Dimension		Weight
	mm	inch	F	D	L	kg/unit
2200-02	6	1/4"	G 1/8	20	13	0.025
2200-04	8	5/16"	G 1/4	22	16	0.033
2200-06	10	3/8"	G 3/8	26	17	0.045
2200-08	12	1/2"	G 1/2	30	18	0.056
2200-12	20	3/4"	G 3/4	38	20	0.098
2200-16	25	1"	G 1	45	25	0.155
2200-20	32	1.1/4"	G 1 1/4	55	25	0.212
2200-24	38	1.1/2"	G 1 1/2	62	30	0.31
2200-32	50	2"	G 2	70	30	0.272

1865



Male stud connector BSP-BSPT

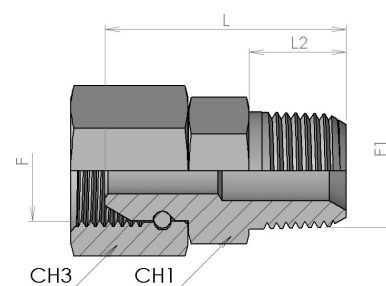
SDS

Product number	Ø tube		Thread		Dimension				Weight
	mm	inch	F	F1	L	L2	L3	CH1	kg/unit
1865-02-02	6	1/4"	G 1/8	R 1/8 K	23.5	8	9	14	0.014
1865-04-04	8	5/16"	G 1/4	R 1/4 K	33	11	14	19	0.034
1865-06-06	10	3/8"	G 3/8	R 3/8 K	35.5	12	14	22	0.049
1865-08-08	12	1/2"	G 1/2	R 1/2 K	41	14	18	27	0.082
1865-08-12	12-20	1/2"-3/4"	G 1/2	R 3/4 K	45.5	14	19	27	0.109
1865-12-08	20-12	3/4"-1/2"	G 3/4	R 1/2 K	45	16	18	32	0.121
1865-12-12	20	3/4"	G 3/4	R 3/4 K	46	16	19	32	0.136
1865-16-16	25	1"	G 1	R 1 K	54	19	24	41	0.224
1865-20-20	32	1.1/4"	G 1 1/4	R 1 1/4 K	59	20	24.5	50	0.361
1865-24-24	38	1.1/2"	G 1 1/2	R 1 1/2 K	60.5	22	25.5	55	0.448
1865-32-32	50	2"	G 2	R 2 K	72.5	25	30	70	0.816

2360

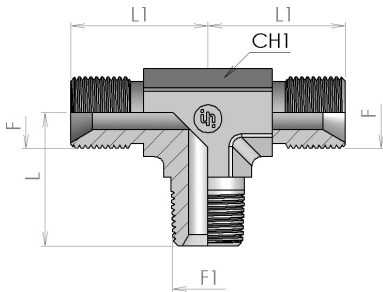
Swivel Connector Female BSP/Male BSPT

SWS



Product number	Ø tube		Thread		Dimension				Weight
	mm	inch	F	F1	L	L2	CH1	CH3	kg/unit
2360-02-02	6	1/4"	G 1/8	R 1/8 K	29	10	12	14	0.03
2360-04-04	8	5/16"	G 1/4	R 1/4 K	33	14.5	14	19	0.049
2360-06-06	10	3/8"	G 3/8	R 3/8 K	36	14.5	19	22	0.076
2360-06-08	10-12	3/8"-1/2"	G 3/8	R 1/2 K	40	19	22	22	0.105
2360-08-06	12-10	1/2"-3/8"	G 1/2	R 3/8 K	42	14.5	22	27	0.099
2360-08-08	12	1/2"	G 1/2	R 1/2 K	45	19	22	27	0.128
2360-12-08	20-12	3/4"-1/2"	G 3/4	R 1/2 K	47	19	27	32	0.161
2360-12-12	20	3/4"	G 3/4	R 3/4 K	47	19.5	27	32	0.188
2360-12-16	20-25	3/4"-1"	G 3/4	R 1 K	55	24	36	41	0.214
2360-16-16	25	1"	G 1	R 1 K	60	24	36	41	0.279
2360-20-20	32	1.1/4"	G 1 1/4	R 1 1/4 K	62	24.5	46	50	0.536
2360-24-24	38	1.1/2"	G 1 1/2	R 1 1/2 K	67	25.5	50	55	0.619

4860

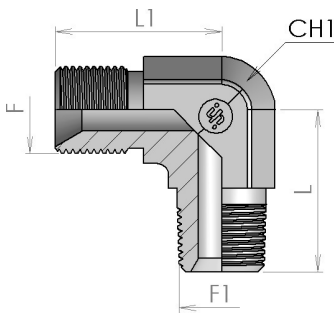


Terminale a T M BSP/ M BSPT centrale

SDEBT

Product number	Ø tube		Thread		Dimension			Weight
	mm	inch	F	F1	L	L1	CH1	kg/unit
4860-02	6	1/4"	G 1/8	R 1/8 K	19.5	22	12	0.031
4860-04	8	5/16"	G 1/4	R 1/4 K	27.5	27	14	0.066
4860-06	10	3/8"	G 3/8	R 3/8 K	31	32	19	0.124
4860-08	12	1/2"	G 1/2	R 1/2 K	36	36	22	0.187
4860-12	20	3/4"	G 3/4	R 3/4 K	40.5	42	27	0.3
4860-16	25	1"	G 1	R 1 K	50	46	33	0.442
4860-20	32	1.1/4"	G 1.1/4	R 1.1/4 K	60.5	52	41	0.783

4620



90° Male stud Elbow BSP-BSPT

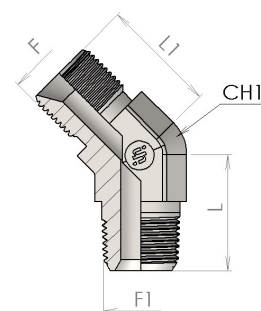
SDE

Product number	Ø tube		Thread		Dimension			Weight
	mm	inch	F	F1	L	L1	CH1	kg/unit
4620-02	6	1/4"	G 1/8	R 1/8 K	19.5	22	12	0.015
4620-04	8	5/16"	G 1/4	R 1/4 K	27.5	27	14	0.042
4620-06	10	3/8"	G 3/8	R 3/8 K	31	32	19	0.093
4620-08	12	1/2"	G 1/2	R 1/2 K	36	36	22	0.142
4620-12	20	3/4"	G 3/4	R 3/4 K	40.5	42	27	0.231
4620-16	25	1"	G 1	R 1 K	50	46	33	0.372
4620-20	32	1.1/4"	G 1.1/4	R 1.1/4 K	60.5	52	41	0.593
4620-24	38	1.1/2"	G 1.1/2	R 1.1/2 K	67	59	50	0.835

4630

45° Male stud elbows BSP-BSPT

SDE45

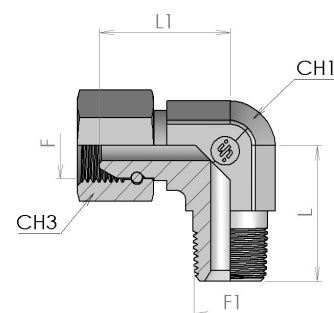


Product number	Ø tube		Thread		Dimension			Weight kg/unit
	mm	inch	F	F1	L	L1	CH1	
4630-02	6	1/4"	G 1/8	R 1/8 K	18.5	20	12	0.015
4630-04	8	5/16"	G 1/4	R 1/4 K	23	21.5	14	0.042
4630-06	10	3/8"	G 3/8	R 3/8 K	26	26	19	0.093
4630-08	12	1/2"	G 1/2	R 1/2 K	31	29	22	0.142
4630-12	20	3/4"	G 3/4	R 3/4 K	33.5	33	27	0.231
4630-16	25	1"	G 1	R 1 K	39	37.5	33	0.372

4600

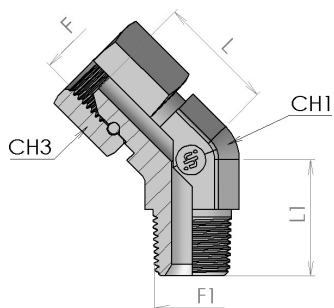
Girevole a 90° F BSP-M BSPT

SWE



Product number	Ø tube		Thread		Dimension				Weight kg/unit
	mm	inch	F	F1	L	L1	CH1	CH3	
4600-02	6	1/4"	G 1/8	R 1/8 K	19.5	20	12	14	0.017
4600-04	8	5/16"	G 1/4	R 1/4 K	27.5	25	14	19	0.046
4600-06	10	3/8"	G 3/8	R 3/8 K	31	30	19	22	0.09
4600-08	12	1/2"	G 1/2	R 1/2 K	36	34	22	27	0.139
4600-12	20	3/4"	G 3/4	R 3/4 K	40.5	40	27	32	0.232
4600-16	25	1"	G 1	R 1 K	50	43	33	41	0.261
4600-20	32	1.1/4"	G 1 1/4	R 1 1/4 K	60.5	49	41	50	0.484
4600-24	38	1.1/2"	G 1 1/2	R 1 1/2 K	67	60	50	55	0.831

4610



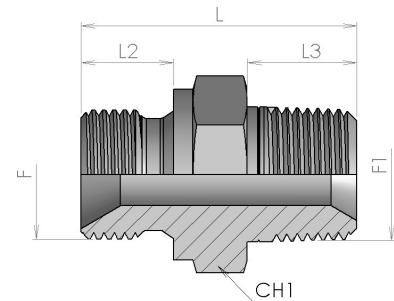
Girevole a 45° F BSP-M BSPT

SWE45

Product number	Ø tube		Thread		Dimension				Weight
	mm	inch	F	F1	L	L1	CH1	CH3	kg/unit
4610-04	8	5/16"	G 1/4	R 1/4 K	21	26	14	19	0.045
4610-06	10	3/8"	G 3/8	R 3/8 K	25.5	25.5	19	22	0.072
4610-08	12	1/2"	G 1/2	R 1/2 K	25	29	22	27	0.099
4610-12	20	3/4"	G 3/4	R 3/4 K	33	31	27	32	0.172
4610-16	25	1"	G 1	R 1 K	45	33.5	33	38	0.304

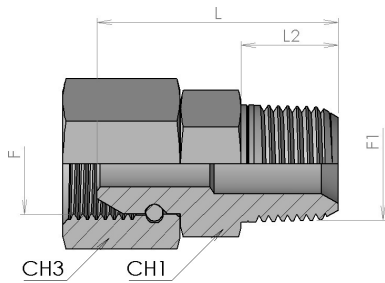
Male stud connector BSP-NPTF

SDS



Product number	Ø tube		Thread		Dimension				Weight kg/unit
	mm	inch	F	F1	L	L2	L3	CH1	
1875-02-02	6	1/4"	G 1/8	1/8 NPTF	24.5	8	10	14	0.015
1875-04-04	8	5/16"	G 1/4	1/4 NPTF	33	11	14.5	19	0.032
1875-04-06	8-10	5/16"-3/8"	G 1/4	3/8 NPTF	34	11	14.5	19	0.04
1875-06-04	10-8	3/8"-5/16"	G 3/8	1/4 NPTF	35.5	12	14.5	22	0.047
1875-06-06	10	3/8"	G 3/8	3/8 NPTF	35.5	12	14.5	22	0.051
1875-06-08	10-12	3/8"-1/2"	G 3/8	1/2 NPTF	40.5	12	19	22	0.061
1875-08-06	12-10	1/2"-3/8"	G 1/2	3/8 NPTF	39.5	14	14.5	27	0.068
1875-08-08	12	1/2"	G 1/2	1/2 NPTF	44	14	19	27	0.083
1875-08-12	12-20	1/2"-3/4"	G 1/2	3/4 NPTF	45.5	14	19	27	0.101
1875-12-08	20-12	3/4"-1/2"	G 3/4	1/2 NPTF	45.5	16	19	32	0.116
1875-12-12	20	3/4"	G 3/4	3/4 NPTF	46	16	19.5	32	0.119
1875-12-16	20-25	3/4"-1"	G 3/4	1 NPTF	53	16	24	36	0.203
1875-16-12	25-20	1"-3/4"	G 1	3/4 NPTF	49	19	19	41	0.199
1875-16-16	25	1"	G 1	1 NPTF	54	19	24	41	0.222
1875-16-20	25-32	1"-1.1/4"	G 1	1 1/4 NPTF	57	19	24.5	46	0.264
1875-20-20	32	1.1/4"	G 1 1/4	1 1/4 NPTF	58.5	20	24.5	50	0.306
1875-24-24	38	1.1/2"	G 1 1/2	1 1/2 NPTF	60.5	22	25.5	55	0.431
1875-32-32	50	2"	G 2	2 NPTF	68.5	25	26	70	0.755

2365



Swivel Connector Female BSP/Male NPTF

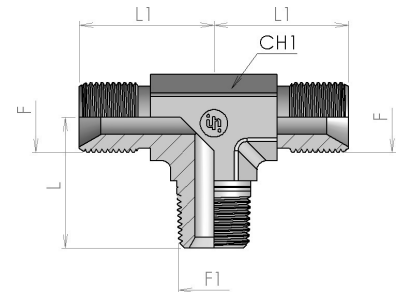
SWS

Product number	Ø tube		Thread		Dimension				Weight kg/unit
	mm	inch	F	F1	L	L2	CH1	CH3	
2365-02-02	6	1/4"	G 1/8	1/8 NPTF	27	10	12	14	0.03
2365-04-04	8	5/16"	G 1/4	1/4 NPTF	33	14	14	19	0.049
2365-04-06	8-10	5/16"-3/8"	G 1/4	3/8 NPTF	36	14.5	17	22	0.064
2365-06-04	10-8	3/8"-5/16"	G 3/8	1/4 NPTF	34	14	19	19	0.061
2365-06-06	10	3/8"	G 3/8	3/8 NPTF	36	14.5	19	22	0.076
2365-06-08	10-12	3/8"-1/2"	G 3/8	1/2 NPTF	40	19	22	27	0.105
2365-08-06	12-10	1/2"-3/8"	G 1/2	3/8 NPTF	39	14.5	22	22	0.099
2365-08-08	12	1/2"	G 1/2	1/2 NPTF	43.5	19	22	27	0.128
2365-08-12	12-20	1/2"-3/4"	G 1/2	3/4 NPTF	46	19.5	27	32	0.152
2365-12-08	20-12	3/4"-1/2"	G 3/4	1/2 NPTF	47	19	27	27	0.161
2365-12-12	20	3/4"	G 3/4	3/4 NPTF	46	19.5	27	32	0.188
2365-12-16	20-25	3/4"-1"	G 3/4	1 NPTF	55	24	36	41	0.214
2365-16-12	25-20	1"-3/4"	G 1	3/4 NPTF	54	19	36	41	0.258
2365-16-16	25	1"	G 1	1 NPTF	60	24	36	41	0.279
2365-20-20	32	1.1/4"	G 1 1/4	1 1/4 NPTF	62	24.5	46	50	0.536
2365-24-24	38	1.1/2"	G 1 1/2	1 1/2 NPTF	67	25.5	50	55	0.619

4870

Terminale a T M BSP/ M NPTF centrale

SDEBT

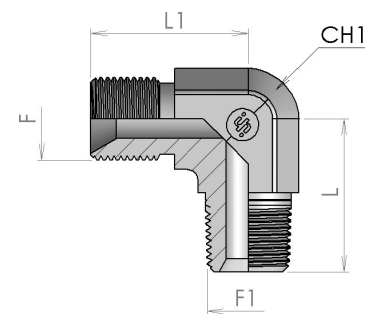


Product number	Ø tube		Thread		Dimension			Weight kg/unit
	mm	inch	F	F1	L	L1	CH1	
4870-02	6	1/4"	G 1 1/4	1 1/2 NPTF	19.5	22	12	0.031
4870-04	8	5/16"	G 1 1/2	1 1/2 NPTF	27.5	27	14	0.066
4870-06	10	3/8"	G 2	2 NPTF	31	32	19	0.124
4870-08	12	1/2"	G 1/2	1/2 NPTF	36	36	22	0.187
4870-12	20	3/4"	G 3/4	3/4 NPTF	40.5	42	27	0.3
4870-16	25	1"	G 1	1 NPTF	50	46	33	0.442

4670

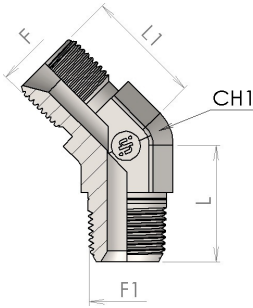
90° Male stud Elbow BSP-NPTF

SDE



Product number	Ø tube		Thread		Dimension			Weight kg/unit
	mm	inch	F	F1	L	L1	CH1	
4670-02	6	1/4"	G 1/8	1/8 NPTF	19.5	22	12	0.015
4670-04	8	5/16"	G 1/4	1/4 NPTF	27.5	27	14	0.042
4670-06	10	3/8"	G 3/8	3/8 NPTF	31	32	19	0.093
4670-08	12	1/2"	G 1/2	1/2 NPTF	36	36	22	0.142
4670-12	20	3/4"	G 3/4	3/4 NPTF	40.5	42	27	0.231
4670-16	25	1"	G 1	1 NPTF	50	46	33	0.372
4670-20	32	1.1/4"	G 1 1/4	1 1/4 NPTF	60.5	52	41	0.593

4680

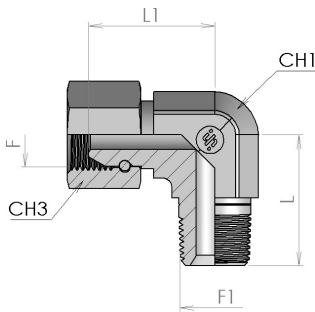


45° Male stud Elbow BSP-NPTF

SDE45

Product number	Ø tube		Thread		Dimension			Weight
	mm	inch	F	F1	L	L1	CH1	kg/unit
4680-02	6	1/4"	G 1/8	1/8 NPTF	18.5	20	12	0.015
4680-04	8	5/16"	G 1/4	1/4 NPTF	23	21.5	14	0.042
4680-06	10	3/8"	G 3/8	3/8 NPTF	26	26	19	0.093
4680-08	12	1/2"	G 1/2	1/2 NPTF	31	29	22	0.142
4680-12	20	3/4"	G 3/4	3/4 NPTF	33.5	33	27	0.231
4680-16	25	1"	G 1	1 NPTF	39	37.5	33	0.372

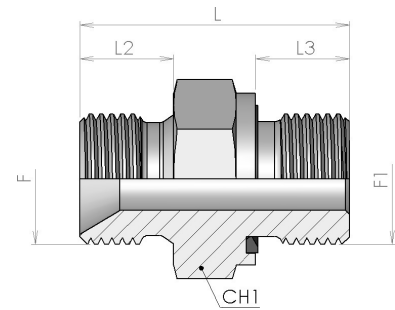
4650



Swivel 90° Elbow BSP-NPTF

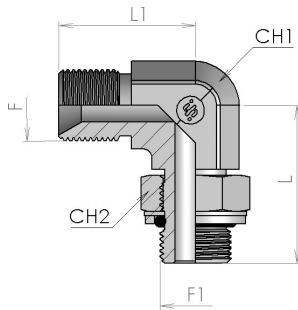
SWE

Product number	Ø tube		Thread		Dimension				Weight
	mm	inch	F	F1	L	L1	CH1	CH3	kg/unit
4650-02	6	1/4"	G 1/8	1/8 NPTF	19.5	20	12	14	0.017
4650-04	8	5/16"	G 1/4	1/4 NPTF	27.5	25	14	19	0.046
4650-06	10	3/8"	G 3/8	3/8 NPTF	31	30	19	22	0.09
4650-08	12	1/2"	G 1/2	1/2 NPTF	36	34	22	27	0.139
4650-12	20	3/4"	G 3/4	3/4 NPTF	40.5	40	27	32	0.232
4650-16	25	1"	G 1	1 NPTF	50	43	33	41	0.261
4650-20	32	1.1/4"	G 1 1/4	1 1/4 NPTF	60.5	49	41	50	0.484
4650-24	38	1.1/2"	G 1 1/2	1 1/2 NPTF	67	60	50	55	0.831

1700E**Male stud connector BSP-BSPP
(Form E ISO 1179-2)****SDS**

Product number	Ø tube		Thread		Dimension				Weight
	mm	inch	F	F1	L	L2	L3	CH1	kg/unit
1700E04-04	8	5/16"	G 1/4	G 1/4	32	11	12	19	0.035
1700E06-06	10	3/8"	G 3/8	G 3/8	34.5	12	12	22	0.053
1700E08-08	12	1/2"	G 1/2	G 1/2	41	14	14	27	0.083
1700E12-12	20	3/4"	G 3/4	G 3/4	47	16	16	32	0.141
1700E16-16	25	1"	G 1	G 1	54	19	18	41	0.243

3900



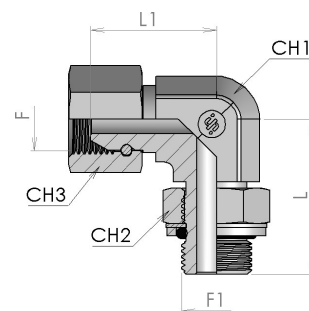
90° Adjustable stud elbow BSP-BSP (ISO 1179)

SDE

Product number	Ø tube		Thread		Dimension				Weight
	mm	inch	F	F1	L	L1	CH1	CH2	kg/unit
3900-02-02	6	1/4"	G 1/8	G 1/8	27	22	12	14	0.028
3900-04-02	8-6	5/16"-1/4"	G 1/8	G 1/4	33	24.5	14	19	0.045
3900-04-04	8	5/16"	G 1/4	G 1/4	33	27	14	19	0.05
3900-04-06	8-10	5/16"-3/8"	G 3/8	G 1/4	35	32	19	19	0.084
3900-06-02	10-6	3/8"-1/4"	G 1/8	G 3/8	37	27	19	22	0.087
3900-06-04	10-8	3/8"-5/16"	G 1/4	G 3/8	37	29.5	19	22	0.091
3900-06-06	10	3/8"	G 3/8	G 3/8	37	32	19	22	0.094
3900-06-08	10-12	3/8"-1/2"	G 1/2	G 3/8	40	36	22	22	0.14
3900-08-04	12-8	1/2"-5/16"	G 1/4	G 1/2	43	31.5	22	27	0.135
3900-08-06	12-10	1/2"-3/8"	G 3/8	G 1/2	43	34	22	27	0.142
3900-08-08	12	1/2"	G 1/2	G 1/2	43	36	22	27	0.147
3900-08-12	12-20	1/2"-3/4"	G 3/4	G 1/2	46.5	42	27	27	0.224
3900-12-06	20-10	3/4"-3/8"	G 3/8	G 3/4	50	37	27	36	0.231
3900-12-08	20-12	3/4"-1/2"	G 1/2	G 3/4	50	39	27	36	0.239
3900-12-12	20	3/4"	G 3/4	G 3/4	50	42	27	36	0.248
3900-12-16	20-25	3/4"-1"	G 1	G 3/4	50	44	33	36	0.31
3900-16-12	25-20	1"-3/4"	G 3/4	G 1	53	44	33	41	0.37
3900-16-16	25	1"	G 1	G 1	53	46	33	41	0.374
3900-16-20	25-32	1"-1.1/4"	G 1.1/4	G 1	55.5	52	41	41	0.469
3900-20-16	32-25	1.1/4"-1"	G 1	G 1.1/4	58	49	41	50	0.564
3900-20-20	32	1.1/4"	G 1.1/4	G 1.1/4	58	52	41	50	0.658
3900-24-24	38	1.1/2"	G 1.1/2	G 1.1/2	63	59	50	55	0.97

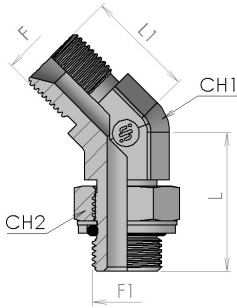
3255

Adjustable 90° elbow Swivel female BSP-BSP (ISO 1179)

SWSDE

Product number	Ø tube		Thread		Dimension					Weight
	mm	inch	F	F1	L	L1	CH1	CH2	CH3	kg/unit
3255-02-02	6	1/4"	G 1/8	G 1/8	27	20	12	14	14	0.021
3255-04-04	8	5/16"	G 1/4	G 1/4	33	25	14	19	19	0.049
3255-06-06	10	3/8"	G 3/8	G 3/8	37	30	19	22	22	0.091
3255-08-08	12	1/2"	G 1/2	G 1/2	43	34	22	27	27	0.143
3255-12-12	20	3/4"	G 3/4	G 3/4	50	40	27	36	32	0.245
3255-16-16	25	1"	G 1	G 1	53	43	33	41	41	0.368
3255-20-20	32	1.1/4"	G 1 1/4	G 1 1/4	58	49	41	50	50	0.621
3255-24-24	38	1.1/2"	G 1 1/2	G 1 1/2	63	60	50	55	55	0.955

3950



45° Adjustable stud elbow BSP-BSP (ISO 1179)

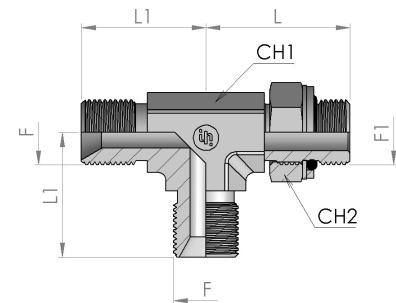
SDE45

Product number	Ø tube		Thread		Dimension				Weight
	mm	inch	F	F1	L	L1	CH1	CH2	kg/unit
3950-02-02	6	1/4"	G 1/8	G 1/8	27	20	12	14	0.028
3950-04-02	8-6	5/16"-1/4"	G 1/8	G 1/4	28.5	21.5	14	19	0.045
3950-04-04	8	5/16"	G 1/4	G 1/4	30	21.5	14	19	0.05
3950-06-04	10-8	3/8"-5/16"	G 1/4	G 3/8	31.5	26	19	22	0.091
3950-06-06	10	3/8"	G 3/8	G 3/8	33.5	26	19	22	0.094
3950-08-06	12-10	1/2"-3/8"	G 3/8	G 1/2	36	29	22	27	0.142
3950-08-08	12	1/2"	G 1/2	G 1/2	39	29	22	27	0.147
3950-12-08	20-12	3/4"-1/2"	G 1/2	G 3/4	41.5	44	27	36	0.239
3950-12-12	20	3/4"	G 3/4	G 3/4	44	33	27	36	0.248
3950-16-12	25-20	1"-3/4"	G 3/4	G 1	45.5	37.5	33	41	0.37
3950-16-16	25	1"	G 1	G 1	47	37.5	33	41	0.374
3950-20-16	32-25	1.1/4"-1"	G 1	G 1 1/4	49.5	38	41	50	0.564
3950-20-20	32	1.1/4"	G 1 1/4	G 1 1/4	52	38	41	50	0.658

3600

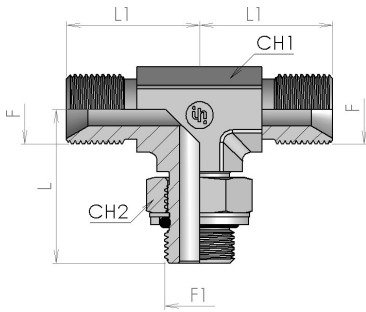
Adjustable stud Run Tee BSP-BSP (ISO 1179)

SDRT



Product number	Ø tube		Thread		Dimension				Weight
	mm	inch	F	F1	L	L1	CH1	CH2	kg/unit
3600-02-02	6	1/4"	G 1/8	G 1/8	27	22	12	14	0.0378
3600-04-02	8-6	5/16"-1/4"	G 1/8	G 1/4	33	24.5	14	19	0.0607
3600-04-04	8	5/16"	G 1/4	G 1/4	33	27	14	19	0.0675
3600-04-06	8-10	5/16"-3/8"	G 3/8	G 1/4	35	32	19	19	0.1134
3600-06-04	10-8	3/8"-5/16"	G 1/4	G 3/8	37	29.5	19	22	0.1229
3600-06-06	10	3/8"	G 3/8	G 3/8	37	32	19	22	0.1269
3600-06-08	10-12	3/8"-1/2"	G 1/2	G 3/8	40	36	22	22	0.189
3600-08-06	12-10	1/2"-3/8"	G 3/8	G 1/2	43	34	22	27	0.1917
3600-08-08	12	1/2"	G 1/2	G 1/2	43	36	22	27	0.1985
3600-08-12	12-20	1/2"-3/4"	G 3/4	G 1/2	46.5	42	27	27	0.3024
3600-12-08	20-12	3/4"-1/2"	G 1/2	G 3/4	50	39	27	36	0.3226
3600-12-12	20	3/4"	G 3/4	G 3/4	50	42	27	36	0.3348
3600-12-16	20-25	3/4"-1"	G 1	G 3/4	50	44	33	36	0.4185
3600-16-12	25-20	1"-3/4"	G 3/4	G 1	53	44	33	41	0.4995
3600-16-16	25	1"	G 1	G 1	53	46	33	41	0.5049
3600-16-20	25-32	1"-1 1/4"	G 1 1/4	G 1	55.5	52	41	41	0.6331
3600-20-20	32	1 1/4"	G 1 1/4	G 1 1/4	58	52	41	50	0.8883
3600-24-24	38	1 1/2"	G 1 1/2	G 1 1/2	63	59	50	55	1.3095

3605



Adjustable stud Branch Tee BSP-BSP (ISO 1179)

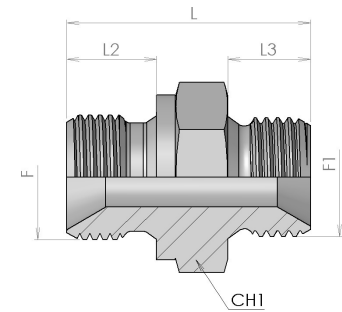
SDBT

Product number	Ø tube		Thread		Dimension				Weight
	mm	inch	F	F1	L	L1	CH1	CH2	kg/unit
3605-02-02	6	1/4"	G 1/8	G 1/8	27	22	12	14	0.0378
3605-04-02	8-6	5/16"-1/4"	G 1/8	G 1/4	33	24.5	14	19	0.0607
3605-04-04	8	5/16"	G 1/4	G 1/4	33	27	14	19	0.0675
3605-04-06	8-10	5/16"-3/8"	G 3/8	G 1/4	35	32	19	19	0.1134
3605-06-04	10-8	3/8"-5/16"	G 1/4	G 3/8	37	29.5	19	22	0.1229
3605-06-06	10	3/8"	G 3/8	G 3/8	37	32	19	22	0.1269
3605-06-08	10-12	3/8"-1/2"	G 1/2	G 3/8	40	36	22	22	0.189
3605-08-06	12-10	1/2"-3/8"	G 3/8	G 1/2	43	34	22	27	0.1917
3605-08-08	12	1/2"	G 1/2	G 1/2	43	36	22	27	0.1985
3605-08-12	12-20	1/2"-3/4"	G 3/4	G 1/2	46.5	42	27	27	0.3024
3605-12-08	20-12	3/4"-1/2"	G 1/2	G 3/4	50	39	27	36	0.3226
3605-12-12	20	3/4"	G 3/4	G 3/4	50	42	27	36	0.3348
3605-12-16	20-25	3/4"-1"	G 1	G 3/4	50	44	33	36	0.4185
3605-16-12	25-20	1"-3/4"	G 3/4	G 1	53	44	33	41	0.4995
3605-16-16	25	1"	G 1	G 1	53	46	33	41	0.5049
3605-16-20	25-32	1"-1.1/4"	G 1.1/4	G 1	55.5	52	41	41	0.6331
3605-20-20	32	1.1/4"	G 1.1/4	G 1.1/4	58	52	41	50	0.8883
3605-24-24	38	1.1/2"	G 1.1/2	G 1.1/2	63	59	50	55	1.3095

1805

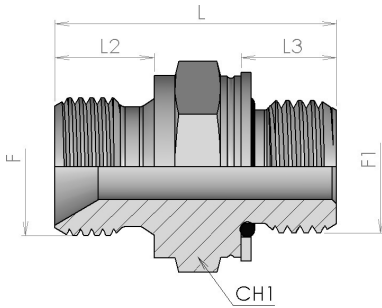
Male stud connector BSP-Metric

SDS



Product number	Ø tube		Thread		Dimension				Weight
	mm	inch	F	F1	L	L2	L3	CH1	kg/unit
1805-02-10	6	1/4"	G 1/8	M 10x1	22.5	8	8	14	0.013
1805-04-10	8	5/16"	G 1/4	M 10x1	27	11	8	19	0.031
1805-04-12	8	5/16"	G 1/4	M 12x1,5	31	11	10	19	0.033
1805-04-14	8	5/16"	G 1/4	M 14x1,5	31	11	12	19	0.03
1805-04-16	8	5/16"	G 1/4	M 16x1,5	31	11	11	22	0.039
1805-04-18	8	5/16"	G 1/4	M 18x1,5	34	11	12	24	0.049
1805-04-22	8	5/16"	G 1/4	M 22x1,5	36	11	14	27	0.061
1805-06-12	10	3/8"	G 3/8	M 12x1,5	33.5	12	12	22	0.043
1805-06-14	10	3/8"	G 3/8	M 14x1,5	31.5	12	10	22	0.044
1805-06-16	10	3/8"	G 3/8	M 16x1,5	32.5	12	11	22	0.046
1805-06-18	10	3/8"	G 3/8	M 18x1,5	34.5	12	11	24	0.055
1805-06-20	10	3/8"	G 3/8	M 20x1,5	36.5	12	14	27	0.061
1805-06-22	10	3/8"	G 3/8	M 22x1,5	36.5	12	12	27	0.068
1805-08-14	12	1/2"	G 1/2	M 14x1,5	37	14	12	27	0.058
1805-08-16	12	1/2"	G 1/2	M 16x1,5	37	14	12	27	0.06
1805-08-18	12	1/2"	G 1/2	M 18x1,5	37	14	12	27	0.066
1805-08-20	12	1/2"	G 1/2	M 20x1,5	39	14	14	27	0.069
1805-08-22	12	1/2"	G 1/2	M 22x1,5	39	14	14	27	0.07
1805-12-18	20	3/4"	G 3/4	M 18x1,5	39	16	11	32	0.111
1805-12-20	20	3/4"	G 3/4	M 20x1,5	41	16	14	32	0.115
1805-12-22	20	3/4"	G 3/4	M 22x1,5	41	16	12	32	0.119
1805-12-26	20	3/4"	G 3/4	M 26x1,5	43	16	12	32	0.124
1805-12-30	20	3/4"	G 3/4	M 30x1,5	44	16	14	36	0.166
1805-16-22	25	1"	G 1	M 22x1,5	42	19	12	41	0.165
1805-16-26	25	1"	G 1	M 26x1,5	46	19	16	41	0.204
1805-16-38	25	1"	G 1	M 38 x1,5	46	19	14	46	0.243

3510



Male stud connector BSP-Metric with O'ring and retaining ring

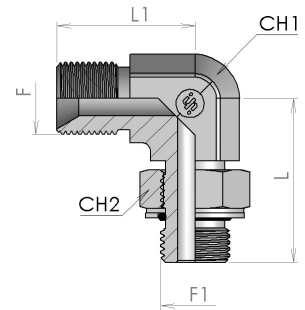
SDS

Product number	Ø tube		Thread		Dimension				Weight
	mm	inch	F	F1	L	L2	L3	CH1	kg/unit
3510-10-02	6	1/4"	G 1/8	M 10x1	24	8	8.5	14	0.018
3510-12-02	6	1/4"	G 1/8	M 12x1,5	27	8	11	17	0.026
3510-14-04	8	5/16"	G 1/4	M 14x1,5	31.5	11	11	19	0.037
3510-16-04	8	5/16"	G 1/4	M 16x1,5	33	11	11.5	22	0.044
3510-16-06	10	3/8"	G 3/8	M 16x1,5	34	12	11.5	22	0.051
3510-18-06	10	3/8"	G 3/8	M 18x1,5	36	12	12.5	24	0.06
3510-18-08	12	1/2"	G 1/2	M 18x1,5	38	14	12.5	24	0.078
3510-22-08	12	1/2"	G 1/2	M 22x1,5	39.5	14	13	27	0.104
3510-22-12	20	3/4"	G 3/4	M 22x1,5	42	16	13	30	0.125
3510-27-12	20	3/4"	G 3/4	M 27x2	44.5	16	16	36	0.159
3510-27-16	25	1"	G 1	M 27x2	47.5	19	16	36	0.204
3510-33-16	25	1"	G 1	M 33x2	52	19	16	41	0.269
3510-42-20	32	1.1/4"	G 1 1/4	M 42x2	55	20	16	50	0.427
3510-48-24	38	1.1/2"	G 1 1/2	M 48x2	59.5	22	17.5	55	0.534

3910

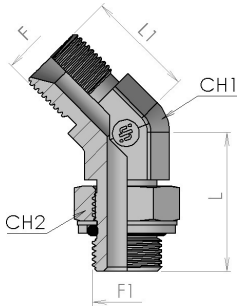
90° Adjustable stud elbow BSP-Metric with O'ring and retaining ring

SWSDE



Product number	Ø tube		Thread		Dimension				Weight kg/unit
	mm	inch	F	F1	L	L1	CH1	CH2	
3910-10-02	6	1/4"	G 1/8	M 10x1	29	22	12	14	0.029
3910-12-02	6	1/4"	G 1/8	M 12x1,5	31	22	12	17	0.045
3910-14-04	8	5/16"	G 1/4	M 14x1,5	34	27	14	19	0.049
3910-16-04	8	5/16"	G 1/4	M 16x1,5	38	29,5	14	22	0.055
3910-16-06	10	3/8"	G 3/8	M 16x1,5	38	32	19	22	0.094
3910-18-06	10	3/8"	G 3/8	M 18x1,5	41	34	19	24	0.135
3910-18-08	12	1/2"	G 1/2	M 18x1,5	41	36	22	24	0.141
3910-22-08	12	1/2"	G 1/2	M 22x1,5	43	36	22	27	0.147
3910-22-12	20	3/4"	G 3/4	M 22x1,5	47,5	42	27	27	0.185
3910-27-12	20	3/4"	G 3/4	M 27x2	52	42	27	32	0.249
3910-27-16	25	1"	G 1	M 27x2	53	46	33	32	0.35
3910-33-16	25	1"	G 1	M 33x2	54	46	33	41	0.367
3910-42-20	32	1.1/4"	G 1 1/4	M 42x2	60	52	41	50	0.645
3910-48-24	38	1.1/2"	G 1 1/2	M 48x2	67	59	50	55	1.012

3410



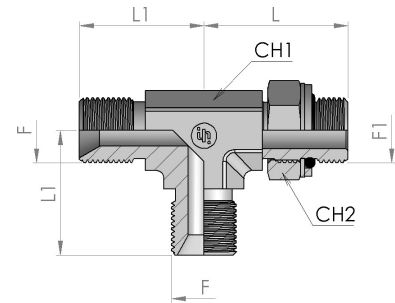
45° Adjustable stud elbow BSP-Metric with O'ring and retaining ring

SDE45

Product number	Ø tube		Thread		Dimension				Weight
	mm	inch	F	F1	L	L1	CH1	CH2	kg/unit
3410-10-02	6	1/4"	G 1/8	M 10x1	27	20	12	14	0.029
3410-12-02	6	1/4"	G 1/8	M 12x1,5	28.5	20	12	17	0.045
3410-14-04	8	5/16"	G 1/4	M 14x1,5	32	21.5	14	19	0.049
3410-16-04	8	5/16"	G 1/4	M 16x1,5	33	21.5	14	22	0.055
3410-16-06	10	3/8"	G 3/8	M 16x1,5	34	26	19	22	0.094
3410-18-06	10	3/8"	G 3/8	M 18x1,5	35	26	19	24	0.135
3410-18-08	12	1/2"	G 1/2	M 18x1,5	36	29	22	24	0.141
3410-22-08	12	1/2"	G 1/2	M 22x1,5	38	29	22	27	0.147
3410-22-12	20	3/4"	G 3/4	M 22x1,5	41.5	33	27	27	0.185
3410-27-12	20	3/4"	G 3/4	M 27x2	45	33	27	32	0.249
3410-27-16	25	1"	G 1	M 27x2	46.5	37.5	33	32	0.35
3410-33-16	25	1"	G 1	M 33x2	48	37.5	33	41	0.367
3410-42-20	32	1.1/4"	G 1 1/4	M 42x2	53.5	38	41	50	0.645
3410-48-24	38	1.1/2"	G 1 1/2	M 48x2	58	43	50	55	1.012

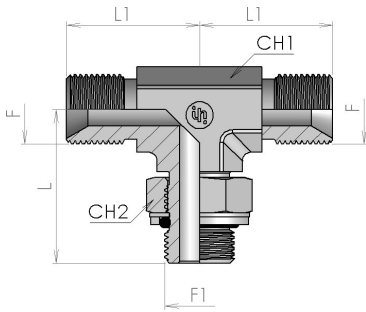
3610

Adjustable stud Run Tee BSP-Metric with O'ring and retaining ring

SDRT

Product number	Ø tube		Thread		Dimension				Weight
	mm	inch	F	F1	L	L1	CH1	CH2	kg/unit
3610-10-02	6	1/4"	G 1/8	M 10x1	29	22	12	14	0.0387
3610-12-02	6	1/4"	G 1/8	M 12x1,5	31	22	12	17	0.06
3610-14-04	8	5/16"	G 1/4	M 14x1,5	34	27	14	19	0.0653
3610-16-04	8	5/16"	G 1/4	M 16x1,5	38	29,5	14	22	0.0733
3610-16-06	10	3/8"	G 3/8	M 16x1,5	38	32	19	22	0.1253
3610-18-06	10	3/8"	G 3/8	M 18x1,5	41	34	19	24	0.18
3610-18-08	12	1/2"	G 1/2	M 18x1,5	41	36	22	24	0.188
3610-22-08	12	1/2"	G 1/2	M 22x1,5	43	36	22	27	0.196
3610-22-12	20	3/4"	G 3/4	M 22x1,5	47,5	42	27	27	0.2467
3610-27-12	20	3/4"	G 3/4	M 27x2	52	42	27	32	0.332
3610-27-16	25	1"	G 1	M 27x2	53	46	33	32	0.4667
3610-33-16	25	1"	G 1	M 33x2	54	46	33	41	0.4893
3610-42-20	32	1.1/4"	G 1 1/4	M 42x2	60	52	41	50	0.86
3610-48-24	38	1.1/2"	G 1 1/2	M 48x2	67	59	50	55	1.3493

3615



Adjustable stud Branch Tee BSP-Metric with O'ring and retaining ring

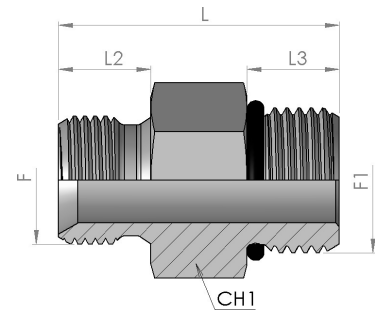
SDBT

Product number	Ø tube		Thread		Dimension				Weight
	mm	inch	F	F1	L	L1	CH1	CH2	kg/unit
3615-10-02	6	1/4"	G 1/8	M 10x1	29	22	12	14	0.0387
3615-12-02	6	1/4"	G 1/8	M 12x1,5	31	22	12	17	0.06
3615-14-04	8	5/16"	G 1/4	M 14x1,5	34	27	14	19	0.0653
3615-16-04	8	5/16"	G 1/4	M 16x1,5	38	29,5	14	22	0.0733
3615-16-06	10	3/8"	G 3/8	M 16x1,5	38	32	19	22	0.1253
3615-18-06	10	3/8"	G 3/8	M 18x1,5	41	34	19	24	0.18
3615-18-08	12	1/2"	G 1/2	M 18x1,5	41	36	22	24	0.188
3615-22-08	12	1/2"	G 1/2	M 22x1,5	43	36	22	27	0.196
3615-22-12	20	3/4"	G 3/4	M 22x1,5	47,5	42	27	27	0.2467
3615-27-12	20	3/4"	G 3/4	M 27x2	52	42	27	32	0.332
3615-27-16	25	1"	G 1	M 27x2	53	46	33	32	0.4667
3615-33-16	25	1"	G 1	M 33x2	54	46	33	41	0.4893
3615-42-20	32	1.1/4"	G 1 1/4	M 42x2	60	52	41	50	0.86
3615-48-24	38	1.1/2"	G 1 1/2	M 48x2	67	59	50	55	1.3493

3520

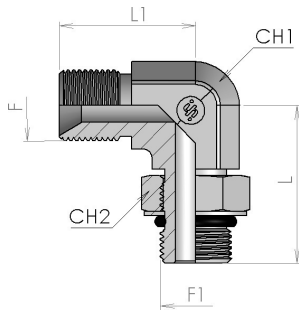
Male stud connector BSP-UNF (ISO 11926)

SDS



Product number	Ø tube		Thread		Dimension				Weight kg/unit
	mm	inch	F	F1	L	L2	L3	CH1	
3520-04-02	6	1/4"	G 1/8	7/16-20 UNF	26	8	9	14	0.021
3520-05-02	8-6	5/16"-1/4"	G 1/8	1/2-20 UNF	26	8	9	17	0.025
3520-06-04	10-8	3/8"-5/16"	G 1/4	9/16-18 UNF	30	11	10	17	0.029
3520-08-04	12-8	1/2"-5/16"	G 1/4	3/4-16 UNF	31.5	11	11	22	0.051
3520-08-06	12-10	1/2"-3/8"	G 3/8	3/4-16 UNF	33	12	11	22	0.053
3520-08-08	12	1/2"	G 1/2	3/4-16 UNF	36.5	14	11	22	0.063
3520-10-06	16-10	5/8"-3/8"	G 3/8	7/8-14 UNF	35.5	12	12.5	27	0.079
3520-10-08	16-12	5/8"-1/2"	G 1/2	7/8-14 UNF	38	14	12.5	27	0.101
3520-10-12	16-20	5/8"-3/4"	G 3/4	7/8-14 UNF	41	16	12.5	32	0.122
3520-12-08	20-12	3/4"-1/2"	G 1/2	1 1/16-12 UN	41.5	16	15	32	0.131
3520-12-12	20	3/4"	G 3/4	1 1/16-12 UN	43.5	16	15	32	0.135
3520-12-16	20-25	3/4"-1"	G 1	1 1/16-12 UN	47.5	19	15	36	0.178
3520-16-12	25-20	1"-3/4"	G 3/4	1 5/16-12 UN	44.5	16	15	41	0.191
3520-16-16	25	1"	G 1	1 5/16-12 UN	47.5	19	15	41	0.204
3520-20-20	32	1 1/4"	G 1 1/4	1 5/8 UN	50.5	20	15	50	0.359
3520-24-24	38	1 1/2"	G 1 1/2	1 7/8-12 UN	54.5	22	15	55	0.464

3920



90° Adjustable stud elbow BSP-UNF (ISO 11926)

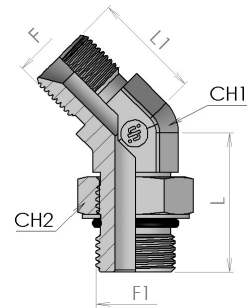
SDE

Product number	Ø tube		Thread		Dimension				Weight kg/unit
	mm	inch	F	F1	L	L1	CH1	CH2	
3920-04-02	6	1/4"	G 1/8	7/16-20 UNF	27	22	12	17	0.031
3920-05-02	8-6	5/16"-1/4"	G 1/8	1/2-20 UNF	30	25	14	17	0.041
3920-06-04	10-8	3/8"-5/16"	G 1/4	9/16-18 UNF	33	27	14	19	0.053
3920-08-04	12-8	1/2"-5/16"	G 1/4	3/4-16 UNF	37	29.5	19	24	0.075
3920-08-06	12-10	1/2"-3/8"	G 3/8	3/4-16 UNF	37	32	19	24	0.105
3920-08-08	12	1/2"	G 1/2	3/4-16 UNF	37	36	22	24	0.118
3920-10-06	16-10	5/8"-3/8"	G 3/8	7/8-14 UNF	43	34	22	27	0.135
3920-10-08	16-12	5/8"-1/2"	G 1/2	7/8-14 UNF	43	36	22	27	0.159
3920-10-12	16-20	5/8"-3/4"	G 3/4	7/8-14 UNF	43	42	27	27	0.178
3920-12-08	20-12	3/4"-1/2"	G 1/2	1 1/16-12 UN	50	39	27	36	0.211
3920-12-12	20	3/4"	G 3/4	1 1/16-12 UN	50	42	27	36	0.258
3920-16-12	25-20	1"-3/4"	G 3/4	1 5/16-12 UN	53	44	33	41	0.298
3920-16-16	25	1"	G 1	1 5/16-12 UN	53	46	33	41	0.367
3920-20-20	32	1.1/4"	G 1 1/4	1 5/8 UN	58	52	41	50	0.615
3920-24-24	38	1.1/2"	G 1 1/2	1 7/8-12 UN	63	59	50	55	0.994

3420

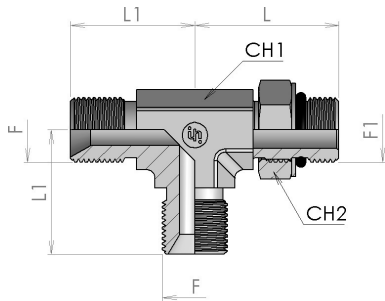
45° Adjustable stud elbow BSP-UNF (ISO 11926)

SDE45



Product number	Ø tube		Thread		Dimension				Weight kg/unit
	mm	inch	F	F1	L	L1	CH1	CH2	
3420-04-02	6	1/4"	G 1/8	7/16-20 UNF	27	20	12	17	0.031
3420-05-02	8-6	5/16"-1/4"	G 1/8	1/2-20 UNF	28	21	14	17	0.041
3420-06-04	10-8	3/8"-5/16"	G 1/4	9/16-18 UNF	30	21.5	14	19	0.053
3420-08-04	12-8	1/2"-5/16"	G 1/4	3/4-16 UNF	33.5	23.5	19	24	0.075
3420-08-06	12-10	1/2"-3/8"	G 3/8	3/4-16 UNF	33.5	26	19	24	0.105
3420-08-08	12	1/2"	G 1/2	3/4-16 UNF	36	29	22	24	0.118
3420-10-06	16-10	5/8"-3/8"	G 3/8	7/8-14 UNF	39	27.5	22	27	0.135
3420-10-08	16-12	5/8"-1/2"	G 1/2	7/8-14 UNF	39	29	22	27	0.159
3420-10-12	16-20	5/8"-3/4"	G 3/4	7/8-14 UNF	41.5	33	27	27	0.178
3420-12-08	20-12	3/4"-1/2"	G 1/2	1 1/16-12 UN	44	31	27	36	0.211
3420-12-12	20	3/4"	G 3/4	1 1/16-12 UN	44	33	27	36	0.258
3420-16-12	25-20	1"-3/4"	G 3/4	1 5/16-12 UN	47	34	33	41	0.298
3420-16-16	25	1"	G 1	1 5/16-12 UN	47	35	33	41	0.367
3420-20-20	32	1.1/4"	G 1 1/4	1 5/8 UN	52	38	41	50	0.615
3420-24-24	38	1.1/2"	G 1 1/2	1 7/8-12 UN	55	41	50	55	0.994

3620



Adjustable stud Run Tee BSP-UNF (ISO 11926)

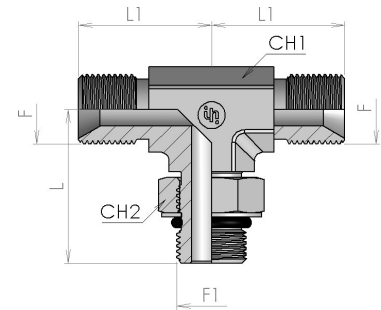
SDRT

Product number	Ø tube		Thread		Dimension				Weight kg/unit
	mm	inch	F	F1	L	L1	CH1	CH2	
3620-04-02	6	1/4"	G 1/8	7/16-20 UNF	27	22	12	17	0.0413
3620-05-02	8-6	5/16"-1/4"	G 1/8	1/2-20 UNF	30	25	14	17	0.0547
3620-06-04	10-8	3/8"-5/16"	G 1/4	9/16-18 UNF	33	27	14	19	0.0707
3620-08-04	12-8	1/2"-5/16"	G 1/4	3/4-16 UNF	37	29.5	19	24	0.1
3620-08-06	12-10	1/2"-3/8"	G 3/8	3/4-16 UNF	37	32	19	24	0.14
3620-08-08	12	1/2"	G 1/2	3/4-16 UNF	37	36	22	24	0.1573
3620-10-06	16-10	5/8"-3/8"	G 3/8	7/8-14 UNF	43	34	22	27	0.18
3620-10-08	16-12	5/8"-1/2"	G 1/2	7/8-14 UNF	43	36	22	27	0.212
3620-10-12	16-20	5/8"-3/4"	G 3/4	7/8-14 UNF	43	42	27	27	0.2373
3620-12-08	20-12	3/4"-1/2"	G 1/2	1 1/16-12 UN	50	39	27	36	0.2813
3620-12-12	20	3/4"	G 3/4	1 1/16-12 UN	50	42	27	36	0.344
3620-16-12	25-20	1"-3/4"	G 3/4	1 5/16-12 UN	53	44	33	41	0.3973
3620-16-16	25	1"	G 1	1 5/16-12 UN	53	46	33	41	0.4893
3620-20-20	32	1 1/4"	G 1 1/4	1 5/8 UN	58	52	41	50	0.82
3620-24-24	38	1 1/2"	G 1 1/2	1 7/8-12 UN	63	59	50	55	1.3253

3625

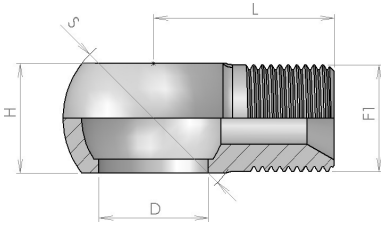
Adjustable stud Branch Tee BSP-UNF (ISO 11926)

SDRT



Product number	Ø tube		Thread		Dimension				Weight kg/unit
	mm	inch	F	F1	L	L1	CH1	CH2	
3625-04-02	6	1/4"	G 1/8	7/16-20 UNF	27	22	12	17	0.0413
3625-05-02	8-6	5/16"-1/4"	G 1/8	1/2-20 UNF	30	25	14	17	0.0547
3625-06-04	10-8	3/8"-5/16"	G 1/4	9/16-18 UNF	33	27	14	19	0.0707
3625-08-04	12-8	1/2"-5/16"	G 1/4	3/4-16 UNF	37	29.5	19	24	0.1
3625-08-06	12-10	1/2"-3/8"	G 3/8	3/4-16 UNF	37	32	19	24	0.14
3625-08-08	12	1/2"	G 1/2	3/4-16 UNF	37	36	22	24	0.1573
3625-10-06	16-10	5/8"-3/8"	G 3/8	7/8-14 UNF	43	34	22	27	0.18
3625-10-08	16-12	5/8"-1/2"	G 1/2	7/8-14 UNF	43	36	22	27	0.212
3625-10-12	16-20	5/8"-3/4"	G 3/4	7/8-14 UNF	43	42	27	27	0.2373
3625-12-08	20-12	3/4"-1/2"	G 1/2	1 1/16-12 UN	50	39	27	36	0.2813
3625-12-12	20	3/4"	G 3/4	1 1/16-12 UN	50	42	27	36	0.344
3625-16-12	25-20	1"-3/4"	G 3/4	1 5/16-12 UN	53	44	33	41	0.3973
3625-16-16	25	1"	G 1	1 5/16-12 UN	53	46	33	41	0.4893
3625-20-20	32	1.1/4"	G 1 1/4	1 5/8 UN	58	52	41	50	0.82
3625-24-24	38	1.1/2"	G 1 1/2	1 7/8-12 UN	63	59	50	55	1.3253

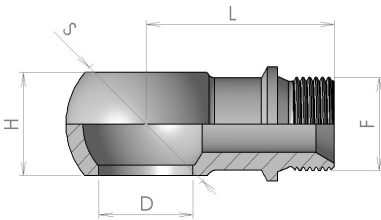
1550



BSP threaded Banjo Eye

Product number	Thread	Dimension				Weight
	F1	S	H	D	L	kg/unit
1550-04-04	G 1/4	24	14.5	G 1/4	22	0.03
1550-06-06	G 3/8	28	17	G 3/8	28	0.045
1550-08-06	G 3/8	36	22	G 1/2	32.5	0.086
1550-08-08	G 1/2	36	22	G 1/2	32	0.092
1550-12-12	G 3/4	45	29	G 3/4	40	0.166
1550-16-16	G 1	58	35	G 1	46	0.366

1560

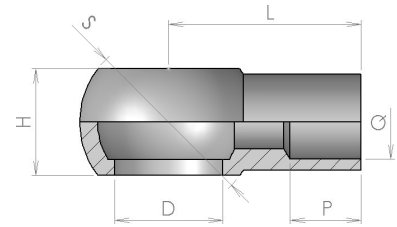


BSP threaded Banjo Eye with guide

Product number	Thread	Dimension				Weight
	F	S	H	D	L	kg/unit
1560-04-04	G 1/4	24	14.5	13.5	32	0.039
1560-06-06	G 3/8	28	17	17	38	0.058
1560-08-08	G 1/2	36	22	21	55	0.12
1560-12-12	G 3/4	45	29	26.5	53	0.216

1450

Weldable BSP Banjo Eye

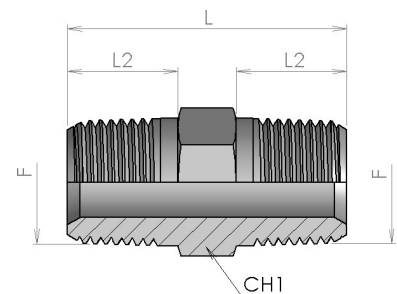


Product number	Dimension					Weight
	S	H	Q	D	L	kg/unit
1450-04-08	24	14	8	G 1/4	24	0.034
1450-04-10	24	14	10	G 1/4	24	0.03
1450-06-12	28	17	12	G 3/8	28	0.039
1450-08-15	36	22	15	G 1/2	32	0.075
1450-08-16	36	22	16	G 1/2	32	0.073
1450-12-22	45	29	22	G 3/4	40	0.105
1450-16-27	58	35	27	G 1	45	0.17

1860

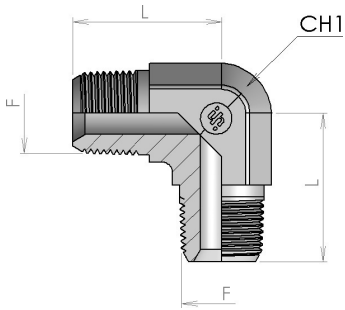
Male stud connector BSPT

S



Product number	Ø tube		Thread	Dimension			Weight
	mm	inch	F	L	L2	CH1	kg/unit
1860-02-02	6	1/4"	R 1/8 K	24.5	9	12	0.014
1860-04-04	8	5/16"	R 1/4 K	35	14	15	0.034
1860-06-06	10	3/8"	R 3/8 K	37.5	14	19	0.049
1860-08-08	12	1/2"	R 1/2 K	46	18	22	0.082
1860-12-12	20	3/4"	R 3/4 K	53	19	27	0.136
1860-16-16	25	1"	R 1 K	60	24	36	0.224
1860-20-20	32	1.1/4"	R 1 1/4 K	68	24.5	46	0.361
1860-24-24	38	1.1/2"	R 1 1/2 K	71	25.5	50	0.448
1860-32-32	50	2"	R 2 K	82	30	65	0.816

4626

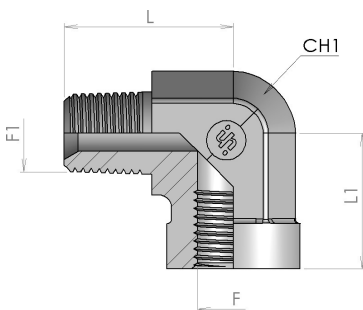


90° Male stud Elbow BSPT

E

Product number	Ø tube		Thread	Dimension			Weight
	mm	inch	F	L	CH1	kg/unit	
4626-02	6	1/4"	R 1/8 K	19.5	12	0.015	
4626-04	8	5/16"	R 1/4 K	27.5	14	0.042	
4626-06	10	3/8"	R 3/8 K	31	19	0.093	
4626-08	12	1/2"	R 1/2 K	36	22	0.142	
4626-12	20	3/4"	R 3/4 K	40.5	27	0.231	

4625



90° Male BSPT/Female BSP Elbow

E

Product number	Ø tube		Thread		Dimension			Weight
	mm	inch	F	F1	L	L1	CH1	kg/unit
4625-02	6	1/4"	G 1/8	R 1/8 K	23.5	17	14	0.048
4625-04	8	5/16"	G 1/4	R 1/4 K	29	22.5	19	0.0648
4625-06	10	3/8"	G 3/8	R 3/8 K	33.5	26	22	0.008
4625-08	12	1/2"	G 1/2	R 1/2 K	38	31	27	0.1472
4625-12	20	3/4"	G 3/4	R 3/4 K	45	34.5	33	0.2104
4625-16	25	1"	G 1	R 1 K	55	41	41	0.4016