

JIC Adaptors - C





5000



Nut (ISO 8434-2)

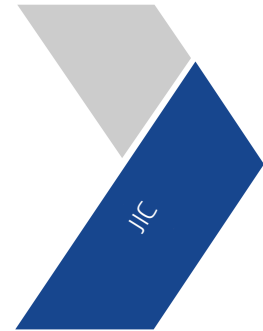
106

5010

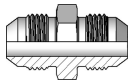


Metric sleeve (ISO 8434-2)

107



1900



Male union (ISO 8434-2)

108



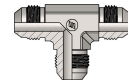
5100



90° Union Elbow (ISO 8434-2)

109

5120



Union Tee (ISO 8434-2)

109

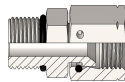
5900



Union Cross (ISO 8434-2)

110

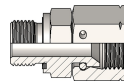
5050



JIC Swivel female - Male UNF (ISO 11926)

110

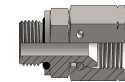
5036



JIC Swivel female - Male BSPP (Form E ISO 1179-2)

111

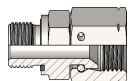
5035



JIC Swivel female - Male BSPP (ISO 1179)

112

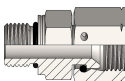
5037



JIC Swivel female - Male Metric (Form E ISO 9974-2)

113

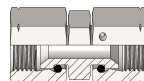
5038



JIC Swivel female - Male Metric (ISO 6149)

114

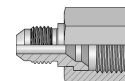
5045



JIC Straight swivel nut union (ISO 8434-2)

115

5056



JIC Reducing male-female

116

5060



90° Swivel Elbow (ISO 8434-2)

117

5070



45° Swivel Elbow (ISO 8434-2)

117

5080



Swivel Run Tee (ISO 8434-2)

118

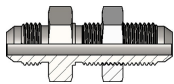
5090



Swivel Branch Tee (ISO 8434-2)

118

5110



Bulkhead union (ISO 8434-2)

119

5130



90° Bulkhead union (ISO 8434-2)

119

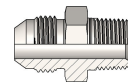
J107



Bulkhead locknut

120

1906



Male stud connector JIC-NPTF

121

5140



90° Male stud Elbow JIC-NPTF

122

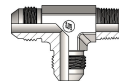
5150



45° Male stud Elbow JIC-NPTF

123

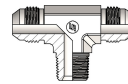
5160



NPTF Run Tee

124

5170



NPT Branch Tee

125

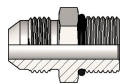
5180



Male JIC -Female NPTF stud connector

126

1907



Male stud connector JIC-UNF (ISO 11926)

127

5190



90° Adjustable stud elbow JIC-UNF (ISO 11926)

128

5200



45° Adjustable stud elbow JIC-UNF (ISO 11926)

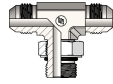
129

5210



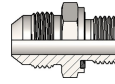
Adjustable stud Run Tee
JIC-UNF (ISO 11926)

5220



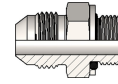
Adjustable stud Branch
Tee JIC-UNF (ISO 11926)

5805



Male stud connector JIC-
BSP (Form E ISO 1179-2)

1915



Male stud connector JIC-
BSP (ISO 1179)

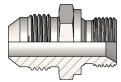
129

130

131

132

1905



Male stud connector JIC-
BSP

5185



Male-Female connector
JIC-BSP

5230



90° Adjustable stud
elbow JIC-BSP (ISO 1179)

5235



45° Adjustable stud
elbow JIC-BSP (ISO 1179)

133

134

135

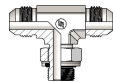
136

5240



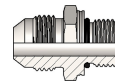
Adjustable stud Run Tee
JIC-BSP (ISO 1179)

5250



Adjustable stud Branch
Tee JIC-BSP (ISO 1179)

1910



Male stud connector JIC-
METRIC (ISO 6149)

5440



45° Adjustable stud
elbow JIC-METRIC (ISO
6149)

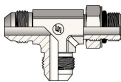
137

138

139

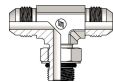
140

5450



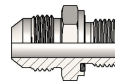
Adjustable stud Run Tee
JIC-METRIC (ISO 6149)

5455



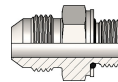
Adjustable stud Branch
Tee JIC-METRIC (ISO
6149)

1775



Male stud connector JIC-
METRIC (Form E ISO
9974-2)

1777



Male stud connector JIC-
METRIC with O-ring and
retaining ring

141

142

143

144

5400



90° Adjustable stud elbow JIC-METRIC with O-ring and retaining ring

145

5410



45° Adjustable stud elbow JIC-Metric with O-ring and retaining ring

146

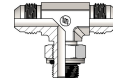
5420



Adjustable stud Run Tee JIC-METRIC with O-ring and retaining ring

147

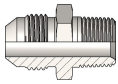
5425



Adjustable stud Branch Tee JIC-METRIC with O-ring and retaining ring

148

1903



Male Connector Jic/BSPT

149

5165



90° Male stud elbows JIC-BSPT

150

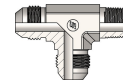
5265



45° Male stud elbows JIC-BSPT

151

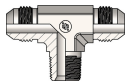
5275



BSPT Run Tee

152

5280



BSPT Branch Tee

153

5040



UNF male plug (ISO 11926-1)

153

J605



JIC Male plug (ISO 8434-2)

154

J608



JIC Female swivel plug (ISO 8434-2)

155

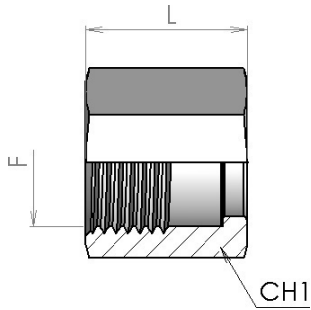
MJ



JIC braze-on straight connector (ISO 8434-2)

155

5000



Nut (ISO 8434-2)

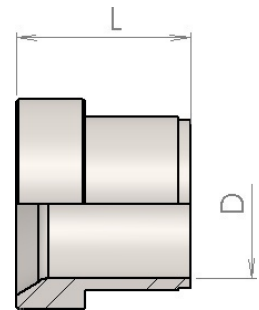
N

Product number	Ø tube		Dimension			Weight kg/unit
	mm	inch	F	L	CH1	
5000-04	6	1/4"	7/16" - 20	15.8	14	0,011
5000-05	8	5/16"	1/2" - 20	17.3	17	0,014
5000-06	10	3/8"	9/16" - 18	18.5	19	0,018
5000-08	12	1/2"	3/4" - 16	21.6	22	0,029
5000-10	16	5/8"	7/8" - 14	24.9	27	0,042
5000-12	20	3/4"	1.1/16" - 12	26.2	32	0,070
5000-16	25	1"	1.5/16" - 12	28.7	41	0,105
5000-20	32	1-1/4"	1.5/8" - 12	31.2	50	0,240
5000-24	38	1-1/2"	1.7/8" - 12	36.1	60	0,320

5010

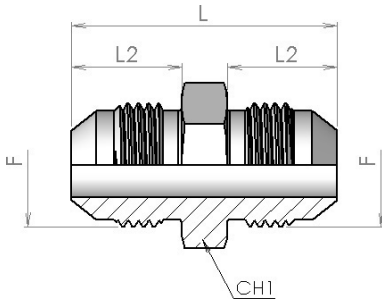
Metric sleeve (ISO 8434-2)

MSL



Product number	Ø tube	Dimension		Weight
	mm	L	D	kg/unit
5010-06	6	10.5	6	0,002
5010-08	8	11.5	8	0,002
5010-10	10	12.5	10	0,002
5010-12	12	14.5	12	0,007
5010-14	14	16.5	14	0,013
5010-16	16	16.5	16	0,015
5010-18	18	17	18	0,016
5010-20	20	17	20	0,012
5010-25	25	19.5	25	0,021
5010-30	30	23	30	0,045
5010-32	32	23	32	0,030
5010-38	38	28.5	38	0,050

1900



Male union (ISO 8434-2)

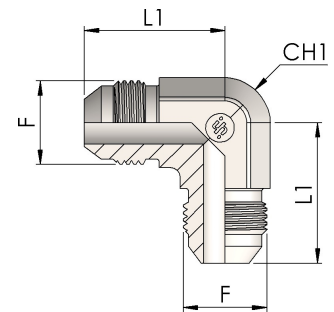
S

Product number	Ø tube		Dimension							W.P.	Thread	Weight
	mm	inch	F	C	L	E	bar	F	L2			
1900-04-04	6	1/4"	7/16" - 20	14	35	12	350	7/16-20	14	12	0,016	
1900-05-05	8	5/16"	1/2" - 20	14	35	14	350	1/2-20	14	14	0,018	
1900-06-06	10	3/8"	9/16" - 18	14	36	15	350	9/16-18	14	17	0,025	
1900-08-08	12	1/2"	3/4" - 16	17	41	19	310	3/4-16	17	22	0,052	
1900-10-10	16	5/8"	7/8" - 14	19	48	24	240	7/8-14	19	24	0,08	
1900-12-12	20	3/4"	1.1/16" - 12	22	55	27	240	1 1/16-12	22	30	0,125	
1900-16-16	25	1"	1.5/16" - 12	23	57	34	210	1 5/16-12	23	36	0,13	
1900-20-20	30-32	1.1/4"	1.5/8" - 12	24	61.5	46	170	1 5/8-12	24	46	0,27	
1900-24-24	38	1.1/2"	1.7/8" - 12	28	70	50	140	1 7/8-12	27.5	50	0,385	
1900-32-32	50	2"	2.1/2" - 12	34	86.5	65	100	2 1/2-12	34	65	0,78	

5100

90° Union Elbow (ISO 8434-2)

E

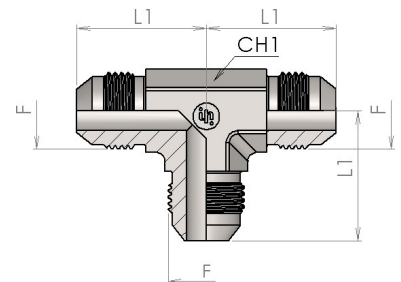


Product number	Ø tube		Dimension							W.P.	Thread	Weight
	mm	inch	F	C	E	bar	F	L1	CH1	kg/unit		
5100-04	6	1/4"	7/16" - 20	22	14	350	7/16-20	22.5	12	0,025		
5100-05	8	5/16"	1/2" - 20	25	14	350	1/2-20	24	14	0,03		
5100-06	10	3/8"	9/16" - 18	26	14	350	9/16-18	27	14	0,045		
5100-08	12	1/2"	3/4" - 16	31	19	310	3/4-16	32	19	0,09		
5100-10	16	5/8"	7/8" - 14	34	22	240	7/8-14	37	22	0,14		
5100-12	20	3/4"	1.1/16" - 12	41	27	240	1.1/16-12	42	27	0,26		
5100-16	25	1"	1.5/16" - 12	50	35	210	1.5/16-12	46	33	0,33		
5100-20	32	1.1/4"	1.5/8" - 12	56	44	170	1.5/8-12	52.5	41	0,585		
5100-24	38	1.1/2"	1.7/8" - 12	61	50	140	1.7/8-12	59	50	0,8		

5120

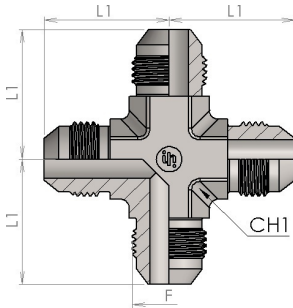
Union Tee (ISO 8434-2)

T



Product number	Ø tube		Dimension							W.P.	Thread	Weight
	mm	inch	F	C	L	B	E	bar	F	L1	CH1	kg/unit
5120-04	6	1/4"	7/16" - 20	26	52	26	14	350	7/16-20	22	12	0,035
5120-05	8	5/16"	1/2" - 20	24	48	24	14	350	1/2-20	24	14	0,045
5120-06	10	3/8"	9/16" - 18	26	52	26	14	350	9/16-18	27	14	0,055
5120-08	12	1/2"	3/4" - 16	32	64	32	19	310	3/4-16	32	19	0,12
5120-10	16	5/8"	7/8" - 14	32	64	32	22	240	7/8-14	36	22	0,18
5120-12	20	3/4"	1.1/16" - 12	42	84	42	27	240	1.1/16-12	42	27	0,29
5120-16	25	1"	1.5/16" - 12	46	92	46	35	210	1.5/16-12	46	33	0,415
5120-20	32	1.1/4"	1.5/8" - 12	52	104	52	44	170	1.5/8-12	52	41	0,7
5120-24	38	1.1/2"	1.7/8" - 12	59	118	59	50	140	1.7/8-12	59	50	1

5900

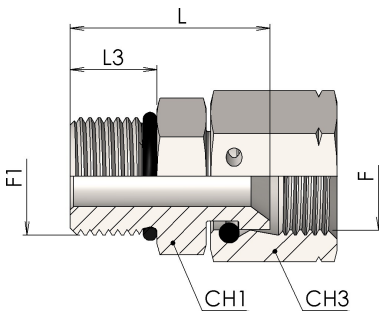


Union Cross (ISO 8434-2)

K

Product number	Ø tube		Dimension						W.P.	Thread	Weight
	mm	inch	F	B	L	E	bar	F	CH1	kg/unit	
5900-04	6	1/4"	7/16" - 20	14	23	12	350	7/16-20	14	0,045	
5900-05	8	5/16"	1/2" - 20	14	24	14	350	1/2-20	14	0,05	
5900-06	10	3/8"	9/16" - 18	14	27	14	350	9/16-18	14	0,065	
5900-08	12	1/2"	3/4" - 16	17	32	19	310	3/4-16	19	0,145	
5900-10	16	5/8"	7/8" - 14	19	37	22	240	7/8-14	22	0,22	
5900-12	20	3/4"	1.1/16" - 12	22	42	27	240	11/16-12	27	0,34	

5050



JIC Swivel female - Male UNF (ISO 11926)

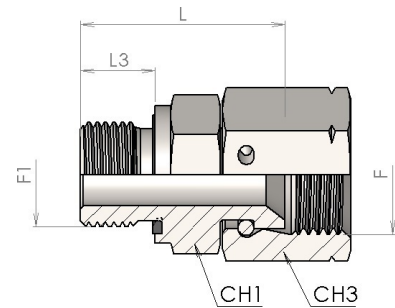
SWS

Product number	Ø tube		Dimension										Thread		Weight
	mm	inch	F	T	C	L	H	E	F	F1	L3	CH1	CH3	kg/unit	
5050-04	6	1/4"	7/16" - 20	7/16" - 20	9	27	15	14	7/16-20	7/16-20	9	14	14	0,03	
5050-05	8	5/16"	1/2" - 20	1/2" - 20	9	28	17	17	1/2-20	1/2-20	9	17	17	0,033	
5050-06	10	3/8"	9/16" - 18	9/16" - 18	10	32	19	17	9/16-18	9/16-18	10	17	19	0,038	
5050-08	12	1/2"	3/4" - 16	3/4" - 16	11	33	24	22	3/4-16	3/4-16	11	22	22	0,065	
5050-10	16	5/8"	7/8" - 14	7/8" - 14	13	36.5	27	27	7/8-14	7/8-14	12.5	27	27	0,115	
5050-12	20	3/4"	1.1/16" - 12	1.1/16" - 12	15	41	32	32	11/16-12	11/16-12	15	32	32	0,185	
5050-16	25	1"	1.5/16" - 12	1.5/16" - 12	15	43.5	38	38	15/16-12	15/16-12	15	41	41	0,235	
5050-20	32	1.1/4"	1.5/8" - 12	1.5/8" - 12	15	47	50	50	15/8-12	15/8-12	15	50	50	0,5	
5050-24	38	1.1/2"	1.7/8" - 12	1.7/8" - 12	15	51.5	55	55	17/8-12	17/8-12	15	55	60	0,69	

5036

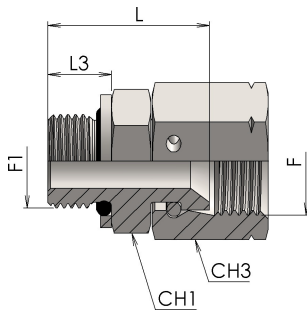
JIC Swivel female - Male BSPP (Form E ISO 1179-2)

SWS



Product number	Ø tube		Dimension											Thread		Weight kg/unit
	mm	inch	F	T	B	D	H	E	F	F1	L	L3	CH1	CH3		
5036-02-04	6	1/4"	7/16"-20	1/8"	8	26	14	14	7/16-20	G 1/8	25	8	14	14	0,03	
5036-04-04	6	1/4"	7/16"-20	1/4"	12	26	14	19	7/16-20	G 1/4	30.5	12	19	14	0,04	
5036-04-05	8	5/16"	1/2"-20	1/4"	12	27	17	19	1/2-20	G 1/4	31.5	12	19	17	0,042	
5036-04-06	10	3/8"	9/16"-18	1/4"	12	28	19	19	9/16-18	G 1/4	32.5	12	19	19	0,045	
5036-06-06	10	3/8"	9/16"-18	3/8"	12	30	19	22	9/16-18	G 3/8	34.5	12	22	19	0,06	
5036-06-08	12	1/2"	3/4"-16	3/8"	12	32	22	22	3/4-16	G 3/8	33	12	22	22	0,065	
5036-06-10	14-16	5/8"	7/8"-14	3/8"	12	36	27	22	7/8-14	G 3/8	34	12	24	27	0,085	
5036-08-08	12	1/2"	3/4"-16	1/2"	14	34	22	27	3/4-16	G 1/2	36.5	14	27	22	0,098	
5036-08-10	14-16	5/8"	7/8"-14	1/2"	14	38	27	27	7/8-14	G 1/2	37	14	27	27	0,125	
5036-12-12	18-20	3/4"	1.1/16"-12	3/4"	16	39	32	32	1.1/16-12	G 3/4	41	16	32	32	0,27	
5036-12-16	25	1"	1.5/16"-12	3/4"	16	43	41	32	1.5/16-12	G 3/4	42.5	16	36	41	0,32	
5036-16-16	25	1"	1.5/16"-12	1"	18	44	41	41	1.5/16-12	G 1	45	18	41	41	0,4	
5036-20-20	30-32	1.1/4"	1.5/8"-12	1.1/4"	20	47	50	50	1.5/8-12	G 1.1/4	55	20	50	50	0,58	
5036-24-24	38	1.1/2"	1.7/8"-12	1.1/2"	22	55	60	55	1.7/8-12	G 1.1/2	57	22	55	60	0,79	

5035



JIC Swivel female - Male BSPP (ISO 1179)

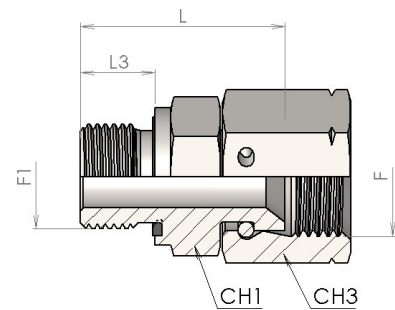
SWS

Product number	Ø tube		Dimension									W.P.	Thread		Weight kg/unit
	mm	F	inch	T	C	L	H	E	bar	F	F1		L3	CH1	
5035-04-02	6	7/16" - 20	1/4"	1/8"-28	6.3	25	17	16	350	7/16-20	G 1/8	8	14	14	0,03
5035-04-04	6	7/16" - 20	1/4"	1/4"-19	9.5	30.5	17	19	350	7/16-20	G 1/4	12	19	14	0,039
5035-04-06	6	7/16" - 20	1/4"	3/8"-19	9.5	31.5	17	22	350	7/16-20	G 3/8	12	22	14	0,057
5035-05-04	8	1/2" - 20	5/16"	1/4"-19	9.5	31.5	19	19	350	1/2-20	G 1/4	12	19	17	0,042
5035-05-06	8	1/2" - 20	5/16"	3/8"-19	9.5	31.5	19	22	350	1/2-20	G 3/8	12	22	17	0,057
5035-06-04	10	9/16" - 18	3/8"	1/4"-19	9.5	32.5	19	19	350	9/16-18	G 1/4	12	19	19	0,046
5035-06-06	10	9/16" - 18	3/8"	3/8"-19	9.5	32.5	19	22	350	9/16-18	G 3/8	12	22	19	0,061
5035-06-08	10	9/16" - 18	3/8"	1/2"-14	13	34.5	19	27	350	9/16-18	G 1/2	14	27	19	0,089
5035-08-04	12	3/4" - 16	1/2"	1/4"-19	9.5	33	24	19	310	3/4-16	G 1/4	12	19	22	0,055
5035-08-06	12	3/4" - 16	1/2"	3/8"-19	9.5	33	24	22	310	3/4-16	G 3/8	12	22	22	0,062
5035-08-08	12	3/4" - 16	1/2"	1/2"-14	13	36.5	24	27	310	3/4-16	G 1/2	14	27	22	0,098
5035-10-06	16	7/8" - 14	5/8"	3/8"-19	9.5	30	27	22	240	7/8-14	G 3/8	12	22	27	0,084
5035-10-08	16	7/8" - 14	5/8"	1/2"-14	13	37	27	30	240	7/8-14	G 1/2	14	27	27	0,127
5035-10-12	16	7/8" - 14	5/8"	3/4"-14	13	41	27	36	240	7/8-14	G 3/4	16	36	27	0,25
5035-12-08	20	1.1/16" - 12	3/4"	1/2"-14	13	37	32	30	240	11/16-12	G 1/2	14	27	32	0,15
5035-12-12	20	1.1/16" - 12	3/4"	3/4"-14	13	41	32	36	240	11/16-12	G 3/4	16	36	32	0,27
5035-12-16	20	1.1/16" - 12	3/4"	1"-11	16	43.5	32	46	240	11/16-12	G 1	18	41	41	0,36
5035-16-12	25	1.5/16" - 12	1"	3/4"-14	13	42.5	38	36	210	15/16-12	G 3/4	16	36	41	0,32
5035-16-16	25	1.5/16" - 12	1"	1"-11	16	45	38	46	210	15/16-12	G 1	18	41	41	0,4
5035-20-20	30	1.5/8" - 12	1.1/4"	1.1/4"-11	16	55	50	50	170	15/8-12	G 1.1/4	20	50	50	0,58
5035-24-24	38	1.7/8" - 12	1.1/2"	1.1/2"-11	16	57	60	55	140	17/8-12	G 1.1/2	22	55	60	0,79

5037

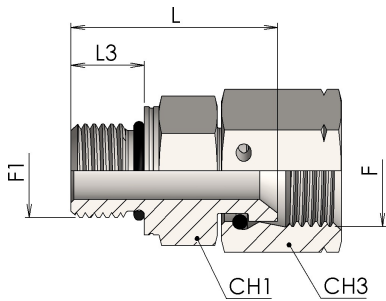
JIC Swivel female - Male Metric (Form E ISO 9974-2)

SWS



Product number	Ø tube		Dimension									Thread		Weight	
	mm	inch	F	T	B	D	H	E	F	F1	L	L3	CH1	CH3	kg/unit
5037-10-04	6	1/4"	7/16"-20	M10x1	8	24.5	14	14	7/16-20	M10x1	25	8	14	14	0,028
5037-12-05	8	5/16"	1/2"-20	M12x1,5	8	26	17	17	1/2-20	M12x1,5	30	12	17	17	0,032
5037-14-06	10	3/8"	9/16"-18	M14x1,5	12	26.8	19	19	9/16-18	M14x1,5	32	12	19	19	0,042
5037-16-08	12	1/2"	3/4"-16	M16x1,5	12	29.6	22	22	3/4-16	M16x1,5	32.5	12	22	22	0,062
5037-18-08	12	1/2"	3/4"-16	M18x1,5	12	30.6	22	24	3/4-16	M18x1,5	33.5	12	24	22	0,07
5037-18-10	14-16	5/8"	7/8"-14	M18x1,5	12	34.6	27	24	7/8-14	M18x1,5	34	12	24	27	0,125
5037-22-10	14-16	5/8"	7/8"-14	M22x1,5	14	36.1	27	29	7/8-14	M22x1,5	37	14	27	27	0,155
5037-22-12	18-20	3/4"	1.1/16"-12	M22x1,5	14	36.2	32	27	11/16-12	M22x1,5	38	14	27	32	0,16
5037-27-12	18-20	3/4"	1.1/16"-12	M27x2	16	36.7	32	32	11/16-12	M27x2	41	16	32	32	0,175
5037-33-16	25	1"	1.5/16"-12	M33x2	18	41.4	41	41	15/16-12	M33x2	43	18	41	41	0,26
5037-42-20	30-32	1.1/4"	1.5/8"-12	M42x2	20	43.8	50	50	15/8-12	M42x2	50.5	20	50	50	0,485

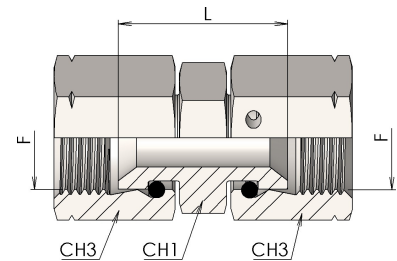
5038



JIC Swivel female - Male Metric (ISO 6149)

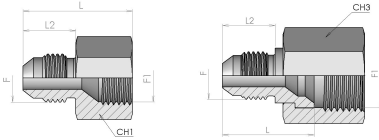
SWS

Product number	W.P.	Ø tube		Thread		Dimension				Weight kg/unit
	bar	mm	inch	F	F1	L	L3	CH1	CH3	
5038-10-04	630	6	1/4"	7/16-20	M10x1	26.5	9.5	14	14	0,025
5038-10-05	630	8	5/16"	1/2-20	M10x1	27.5	9.5	14	17	0,04
5038-12-04	630	6	1/4"	7/16-20	M12x1,5	28	11	17	14	0,03
5038-12-05	630	8	5/16"	1/2-20	M12x1,5	29	11	17	17	0,065
5038-14-06	630	10	3/8"	9/16-18	M14x1,5	31	11	19	19	0,07
5038-16-06	630	10	3/8"	9/16-18	M16x1,5	32.5	12.5	22	19	0,08
5038-16-08	630	12	1/2"	3/4-16	M16x1,5	33	12.5	22	22	0,085
5038-18-08	630	12	1/2"	3/4-16	M18x1,5	35.5	14	24	22	0,095
5038-18-10	630	14-16	5/8"	7/8-14	M18x1,5	36	14	24	27	0,11
5038-22-10	630	14-16	5/8"	7/8-14	M22x1,5	38	15	27	27	0,12
5038-22-12	630	18-20	3/4"	1 1/16-12	M22x1,5	39	15	27	32	0,185
5038-27-12	400	18-20	3/4"	1 1/16-12	M27x2	43.5	18.5	32	32	0,2
5038-27-16	400	25	1"	1 5/16-12	M27x2	45	18.5	32	41	0,23
5038-33-16	400	25	1"	1 5/16-12	M33x2	45.5	18.5	41	41	0,25
5038-42-20	250	30-32	1.1/4"	1 5/8-12	M42x2	49.5	19	50	50	0,5
5038-48-24	250	38	1.1/2"	1 7/8-12	M48x2	54.5	21.5	55	60	0,69

5045**JIC Straight swivel nut union (ISO 8434-2)****SWS**

Product number	W.P.	Ø tube		Thread	Dimension			Weight kg/unit
	bar	mm	inch	F	L	CH1	CH3	
5045-06	350	10	3/8"	9/16-18	26	19	19	0,04
5045-08	310	12	1/2"	3/4-16	29.5	22	22	0,07
5045-10	240	14-16	5/8"	7/8-14	31.5	27	27	0,12
5045-12	240	18-20	3/4"	1 1/16-12	33.5	32	32	0,19
5045-16	210	25	1"	1 5/16-12	38	41	41	0,245

5056



JIC Reducing male-female

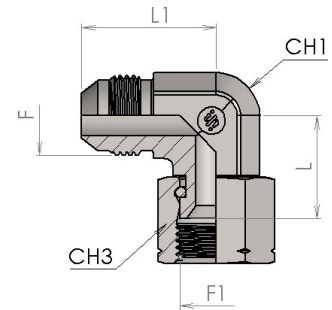
SRDS

Product number	W.P. bar	Ø tube		Thread		Dimension				Weight kg/unit
		mm	inch	F	F1	L	L2	CH1	CH3	
5056-06-04	350	6	1/4"	7/16-20	9/16-18	24.5	14	19	0,032	
5056-06-05	350	8	5/16"	1/2-20	9/16-18	26	14	19		0,03
5056-08-04	310	6	1/4"	7/16-20	3/4-16	27.5	14		22	0,038
5056-08-05	310	8	5/16"	1/2-20	3/4-16	27.5	14		22	0,035
5056-08-06	310	10	3/8"	9/16-18	3/4-16	27.5	14		22	0,032
5056-10-04	240	6	1/4"	7/16-20	7/8-14	27.5	14		27	0,083
5056-10-06	240	10	3/8"	9/16-18	7/8-14	27.5	14		27	0,078
5056-10-08	240	12	1/2"	3/4-16	7/8-14	37	16.7	27		0,075
5056-12-04	240	6	1/4"	7/16-20	11/16-12	31	14		32	0,12
5056-12-06	240	10	3/8"	9/16-18	11/16-12	31	14		32	0,115
5056-12-08	240	12	1/2"	3/4-16	11/16-12	33.5	16.7		32	0,128
5056-12-10	240	14-16	5/8"	7/8-14	11/16-12	36	19.3	32		0,12
5056-16-10	210	14-16	5/8"	7/8-14	15/16-12	35	19.3		41	0,24
5056-16-12	210	18-20	3/4"	11/16-12	15/16-12	35	22		41	0,25
5056-20-12	170	18-20	3/4"	11/16-12	15/8-12	41	22		50	0,37
5056-20-16	170	25	1"	15/16-12	15/8-12	42	23		50	0,355
5056-24-20	140	30-32	1.1/4"	15/8-12	17/8-12	43	24.5		60	0,615

5060

90° Swivel Elbow (ISO 8434-2)

SWE

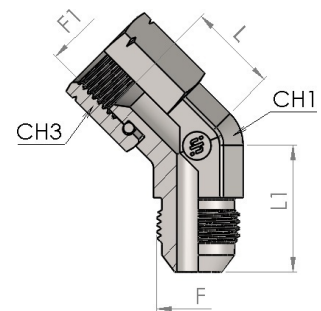


Product number	Ø tube		Dimension									W.P.	Thread			Weight kg/unit
	mm	inch	F	T	C	L	H	E	bar	F	F1		L1	CH1	CH3	
5060-04	6	1/4"	7/16" - 20	7/16" - 20	26	16.7	16	14	350	7/16-20	7/16-20	22	12	14	0,037	
5060-05	8	5/16"	1/2" - 20	1/2" - 20	29	17.4	16	14	350	1/2-20	1/2-20	24	14	17	0,043	
5060-06	10	3/8"	9/16" - 18	9/16" - 18	32	22.3	19	14	350	9/16-18	9/16-18	27	14	19	0,054	
5060-08	12	1/2"	3/4" - 16	3/4" - 16	35	24.4	24	19	310	3/4-16	3/4-16	32	19	22	0,105	
5060-10	16	5/8"	7/8" - 14	7/8" - 14	41	28.4	27	22	240	7/8-14	7/8-14	36	22	27	0,162	
5060-12	20	3/4"	1.1/16" - 12	1.1/16" - 12	44	30.1	32	27	240	1.1/16-12	1.1/16-12	42	27	32	0,26	
5060-16	25	1"	1.5/16" - 12	1.5/16" - 12	50	35.7	38	34	210	1.5/16-12	1.5/16-12	46	33	41	0,42	
5060-20	30-32	1.1/4"	1.5/8" - 12	1.5/8" - 12	59	42.8	50	41	170	1.5/8-12	1.5/8-12	52	41	50	0,679	
5060-24	38	1.1/2"	1.7/8" - 12	1.7/8" - 12	66	47.2	60	48	140	1.7/8-12	1.7/8-12	59	50	60	0,747	

5070

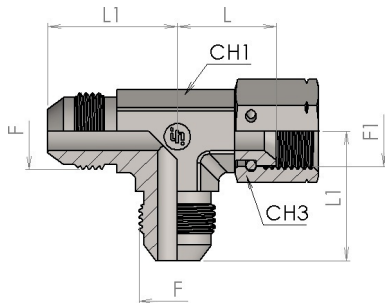
45° Swivel Elbow (ISO 8434-2)

SWE45



Product number	Ø tube		Dimension									W.P.	Thread			Weight kg/unit
	mm	inch	F	T	C	L	H	E	bar	F	F1		L1	CH1	CH3	
5070-04	6	1/4"	7/16" - 20	7/16" - 20	24	15	16	14	350	7/16-20	7/16-20	18.5	12	14	0,03	
5070-05	8	5/16"	1/2" - 20	1/2" - 20	25	16	16	14	350	1/2-20	1/2-20	19.5	14	17	0,045	
5070-06	10	3/8"	9/16" - 18	9/16" - 18	25	19	19	14	350	9/16-18	9/16-18	21	14	19	0,047	
5070-08	12	1/2"	3/4" - 16	3/4" - 16	32	22	24	19	310	3/4-16	3/4-16	25	19	22	0,089	
5070-10	16	5/8"	7/8" - 14	7/8" - 14	34	24	27	22	240	7/8-14	7/8-14	28	22	27	0,131	
5070-12	20	3/4"	1.1/16" - 12	1.1/16" - 12	38	24	32	27	240	1.1/16-12	1.1/16-12	32.5	27	32	0,203	
5070-16	25	1"	1.5/16" - 12	1.5/16" - 12	44	29.5	38	33	210	1.5/16-12	1.5/16-12	37.5	33	41	0,335	
5070-20	30-32	1.1/4"				35.5			170	1.5/8-12	1.5/8-12	40.5	41	50	0,572	

5080

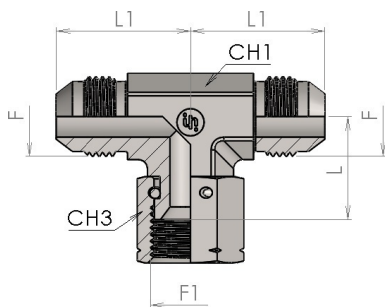


Swivel Run Tee (ISO 8434-2)

SWRT

Product number	Ø tube		Dimension									W.P.	Thread			Weight kg/unit
	mm	inch	F	T	C	L	H	E	bar	F	F1		L1	CH1	CH3	
5080-04	6	1/4"	7/16" - 20	7/16" - 20	25	16.7	15	11	350	7/16-20	7/16-20	22	12	14	0,044	
5080-05	8	5/16"	1/2" - 20	1/2" - 20	27	17.4	17	13	350	1/2-20	1/2-20	24	14	17	0,058	
5080-06	10	3/8"	9/16" - 18	9/16" - 18	32	22.3	19	14	350	9/16-18	9/16-18	27	14	19	0,071	
5080-08	12	1/2"	3/4" - 16	3/4" - 16	35	24.4	24	19	310	3/4-16	3/4-16	32	19	22	0,133	
5080-10	16	5/8"	7/8" - 14	7/8" - 14	41	28.4	27	22	240	7/8-14	7/8-14	36	22	27	0,203	
5080-12	20	3/4"	1.1/16" - 12	1.1/16" - 12	44	30.1	32	27	240	1.1/16-12	1.1/16-12	42	27	32	0,328	
5080-16	25	1"	1.5/16" - 12	1.5/16" - 12	51	35.7	38	33	210	1.5/16-12	1.5/16-12	46	33	41	0,483	
5080-20	30-32	1.1/4"	1.5/8" - 12	1.5/8" - 12	58	42.8	50	41	170	1.5/8-12	1.5/8-12	52	41	50	0,7018	
5080-24	38	1.1/2"				47.2			140	1.7/8-12	1.7/8-12	59	50	60	1,1	

5090



Swivel Branch Tee (ISO 8434-2)

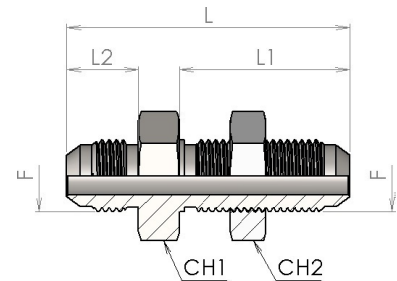
SWBT

Product number	Ø tube		Dimension									W.P.	Thread			Weight kg/unit
	mm	inch	F	T	C	L	H	E	bar	F	F1		L1	CH1	CH3	
5090-04	6	1/4"	7/16" - 20	7/16" - 20	23	16.7	16	11	350	7/16-20	7/16-20	22	12	14	0,044	
5090-05	8	5/16"	1/2" - 20	1/2" - 20	24	17.4	17	14	350	1/2-20	1/2-20	24	14	17	0,058	
5090-06	10	3/8"	9/16" - 18	9/16" - 18	26	22.3	19	14	350	9/16-18	9/16-18	27	14	19	0,071	
5090-08	12	1/2"	3/4" - 16	3/4" - 16	32	24.4	24	19	310	3/4-16	3/4-16	32	19	22	0,133	
5090-10	16	5/8"	7/8" - 14	7/8" - 14	37	28.4	27	22	240	7/8-14	7/8-14	36	22	27	0,203	
5090-12	20	3/4"	1.1/16" - 12	1.1/16" - 12	42	30.1	32	27	240	1.1/16-12	1.1/16-12	42	27	32	0,328	
5090-16	25	1"	1.5/16" - 12	1.5/16" - 12	46	35.7	38	33	210	1.5/16-12	1.5/16-12	46	33	41	0,483	
5090-20	30-32	1.1/4"	1.5/8" - 12	1.5/8" - 12	52	42.8	50	41	170	1.5/8-12	1.5/8-12	52	41	50	0,7018	
5090-24	38	1.1/2"				47.2			140	1.7/8-12	1.7/8-12	59	50	60	1,1	

5110

Bulkhead union (ISO 8434-2)

BHS

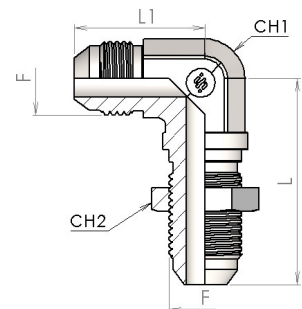


Product number	Ø tube		Dimension										W.P.	Thread	Weight kg/unit
	mm	inch	F	L	C	B	H	E	bar	F	L1	L2			
5110-04	6	1/4"	7/16" - 20	52.5	14	31	17	17	350	7/16-20	30.5	14	17	17	0,04
5110-05	8	5/16"	1/2" - 20	52.5	14	31	19	19	350	1/2-20	30.5	14	19	19	0,048
5110-06	10	3/8"	9/16" - 18	55.5	14	33	22	22	350	9/16-18	32.5	14	22	22	0,065
5110-08	12	1/2"	3/4" - 16	62	17	37	24	24	310	3/4-16	36.5	17	24	24	0,11
5110-10	16	5/8"	7/8" - 14	69.5	19	41	30	30	240	7/8-14	40	19	30	30	0,155
5110-12	20	3/4"	1.1/16" - 12	78.5	22	45	36	36	240	11/16-12	44.5	22	36	36	0,255
5110-16	25	1"	1.5/16" - 12	80	23	45	41	41	210	15/16-12	44.5	23	41	41	0,335
5110-20	32	1.1/4"	1.5/8" - 12	84	24	47	50	50	170	15/8-12	45.5	14	50	50	0,465
5110-24	38	1.1/2"	1.7/8" - 12	89.5	28	47	55	55	140	17/8-12	46	27.5	55	55	0,7

5130

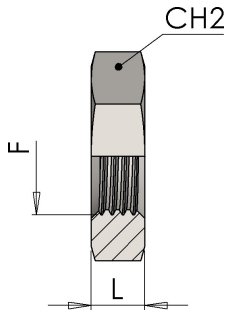
90° Bulkhead union (ISO 8434-2)

BHE



Product number	Ø tube		Dimension										W.P.	Thread	Weight kg/unit
	mm	inch	F	C	L	B	H	E	bar	F	L1	CH1			
5130-04	6	1/4"	7/16" - 20	25	40.5	28	17	11	350	7/16-20	24.5	14	17	0,05	
5130-05	8	5/16"	1/2" - 20	27	43.5	28	19	14	350	1/2-20	27	14	19	0,065	
5130-06	10	3/8"	9/16" - 18	28	46	30	22	14	350	9/16-18	27.5	14	22	0,072	
5130-08	12	1/2"	3/4" - 16	35	53.5	35	24	19	310	3/4-16	34	19	24	0,15	
5130-10	16	5/8"	7/8" - 14	40	60	39	30	22	240	7/8-14	39	22	30	0,21	
5130-12	20	3/4"	1.1/16" - 12	45	68	43	36	27	240	11/16-12	45	27	36	0,34	
5130-16	25	1"	1.5/16" - 12	50	71	43	41	33	210	15/16-12	49.5	33	41	0,45	

J107

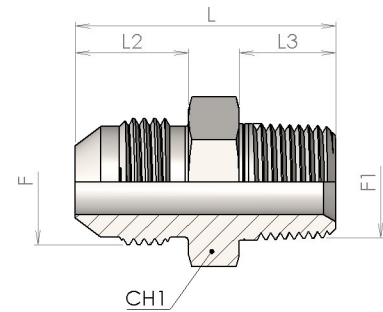


Bulkhead locknut

Product number	Thread	Dimension		Weight
	F	L	CH2	kg/unit
J107-04	7/16-20	7	17	0,008
J107-05	1/2-20	7.5	19	0,007
J107-06	9/16-18	7	22	0,011
J107-08	3/4-16	9	24	0,015
J107-10	7/8-14	10	30	0,031
J107-12	1.1/16-12	12	36	0,054
J107-16	1.5/16-12	12	41	0,057
J107-20	1.5/8-12	13	50	0,087
J107-24	1.7/8-12	13	55	0,088

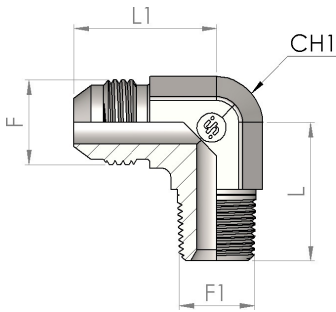
Male stud connector JIC-NPTF

SDS



Product number	Ø tube		Dimension									W.P.		Thread		Weight
	mm	F	inch	T	C	L	B	E	bar	F	F1	L2	L3	CH1	kg/unit	
1906-02-04	6	7/16" - 20	1/4"	1/8"	14	30	10	12	350	7/16-20	1/8-27 NPTF	14	10	12	0,014	
1906-02-05	8	1/2" - 20	5/16"	1/8"	14	31	10	14	350	1/2-20	1/8-27 NPTF	14	10	14	0,017	
1906-04-04	6	7/16" - 20	1/4"	1/4"	14	36	14	15	350	7/16-20	1/4-18 NPTF	14	14.5	14	0,025	
1906-04-05	8	1/2" - 20	5/16"	1/4"	14	36	14	15	350	1/2-20	1/4-18 NPTF	14	14.5	15	0,025	
1906-04-06	10	9/16" - 18	3/8"	1/4"	14	36	14	15	350	9/16-18	1/4-18 NPTF	14	14.5	17	0,027	
1906-06-06	10	9/16" - 18	3/8"	3/8"	14	35	14	19	350	9/16-18	3/8-18 NPTF	14	14.5	19	0,03	
1906-06-08	12	3/4" - 16	1/2"	3/8"	17	37.5	14	19	310	3/4-16	3/8-18 NPTF	17	14.5	22	0,045	
1906-06-10	16	7/8" - 14	5/8"	3/8"	19	43	14	24	240	7/8-14	3/8-18 NPTF	19	14.5	24	0,063	
1906-08-06	10	9/16" - 18	3/8"	1/2"	14	41	19	22	350	9/16-18	1/2-14 NPTF	14	19	22	0,047	
1906-08-08	12	3/4" - 16	1/2"	1/2"	17	43.5	19	22	310	3/4-16	1/2-14 NPTF	17	19	22	0,074	
1906-08-10	16	7/8" - 14	5/8"	1/2"	19	48	19	24	240	7/8-14	1/2-14 NPTF	19	19	24	0,077	
1906-08-12	20	1.1/16" - 12	3/4"	1/2"	22	49	19	27	240	1.1/16-12	1/2-14 NPTF	22	19	30	0,1	
1906-12-10	16	7/8" - 14	5/8"	3/4"	19	49.5	19	27	240	7/8-14	3/4-14 NPTF	19	19	27	0,12	
1906-12-12	20	1.1/16" - 12	3/4"	3/4"	22	52.5	19	27	240	1.1/16-12	3/4-14 NPTF	22	19	27	0,12	
1906-12-16	25	1.5/16" - 12	1"	3/4"	23	52	19	34	210	1.5/16-12	3/4-14 NPTF	23	19	36	0,15	
1906-16-12	20	1.1/16" - 12	3/4"	1"	22	56	24	36	240	1.1/16-12	1-11.1/2 NPTF	22	24	36	0,175	
1906-16-16	25	1.5/16" - 12	1"	1"	23	58.5	24	36	210	1.5/16-12	1-11.1/2 NPTF	23	24	36	0,19	
1906-20-20	32	1.5/8" - 12	1.1/4"	1.1/4"	24	60.5	25	46	170	1.5/8-12	1.1/4-1.1/2 NPTF	24	24.6	46	0,315	
1906-24-24	38	1.7/8" - 12	1.1/2"	1.1/2"	28	66	25	50	140	1.7/8-12	1.1/2-1.1/2 NPTF	27.5	25.5	50	0,43	
1906-32-32	50	2.1/2" - 12	2"	2"	34	77.6	26	65	100	2.1/2-12	2-11/12 NPTF	33.9	26.2	65	0,774	

5140



90° Male stud Elbow JIC-NPTF

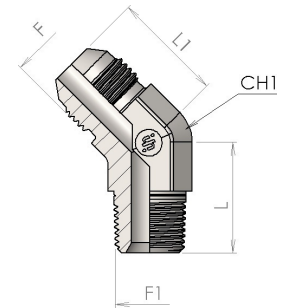
SDE

Product number	Ø tube		Dimension							W.P.	Thread		Weight
	mm	inch	F	T	C	L	E	bar	F	F1	L1	CH1	kg/unit
5140-02-04	6	1/4"	7/16" - 20	1/8"	25	19.5	14	345	7/16-20	1/8-27 NPTF	22	12	0,023
5140-02-05	8	5/16"	1/2" - 20	1/8"	26	24.5	14	345	1/2-20	1/8-27 NPTF	24	14	0,029
5140-04-04	6	1/4"	7/16" - 20	1/4"	26	27.5	14	345	7/16-20	1/4-18 NPTF	23	14	0,042
5140-04-05	8	5/16"	1/2" - 20	1/4"	26	27.5	14	345	1/2-20	1/4-18 NPTF	24	14	0,042
5140-04-06	10	3/8"	9/16" - 18	1/4"	26	27.5	14	345	9/16-18	1/4-18 NPTF	27	14	0,045
5140-06-06	10	3/8"	9/16" - 18	3/8"	28	31	19	310	9/16-18	3/8-18 NPTF	29.5	19	0,076
5140-06-08	12	1/2"	3/4" - 16	3/8"	32	31	19	310	3/4-16	3/8-18 NPTF	32	19	0,086
5140-06-10	14-16	5/8"	7/8" - 14	3/8"	34	33.5	22	310	7/8-14	3/8-18 NPTF	36	22	0,127
5140-08-06	10	3/8"	9/16" - 18	1/2"	29	36	22	240	9/16-18	1/2-14 NPTF	31.5	22	0,117
5140-08-08	12	1/2"	3/4" - 16	1/2"	34	36	22	240	3/4-16	1/2-14 NPTF	34	22	0,125
5140-08-10	14-16	5/8"	7/8" - 14	1/2"	34	36	22	240	7/8-14	1/2-14 NPTF	36	22	0,129
5140-08-12	18-20	3/4"	1.1/16" - 12	1/2"	40	38	27	240	1.1/16-12	1/2-14 NPTF	42	27	0,204
5140-12-08	12	1/2"	3/4" - 16	3/4"	36	40.5	27	240	3/4-16	3/4-14 NPTF	37	27	0,19
5140-12-10	14-16	5/8"	7/8" - 14	3/4"	39	40.5	27	240	7/8-14	3/4-14 NPTF	39	27	0,192
5140-12-12	18-20	3/4"	1.1/16" - 12	3/4"	40	40.5	27	240	1.1/16-12	3/4-14 NPTF	42	27	0,198
5140-12-16	25	1"	1.5/16" - 12	3/4"	42	45	33	240	1.5/16-12	3/4-14 NPTF	46	33	0,318
5140-16-16	25	1"	1.5/16" - 12	1"	42	50	33	240	1.5/16-12	1-11.1/2 NPTF	46	33	0,328
5140-20-20	30-32	1.1/4"	1.5/8" - 12	1-1/4"	56	60.5	44	210	1.5/8-12	1.1/4-11.1/2 NPTF	52	41	0,549
5140-24-24	38	1.1/2"	1.7/8" - 12	1-1/2"	62	67	50	170	1.7/8-12	1.1/2-11.1/2 NPTF	59	50	0,747

5150

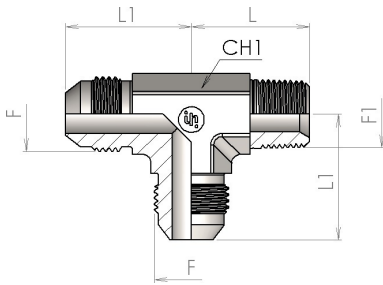
45° Male stud Elbow JIC-NPTF

SDE45



Product number	Ø tube		Dimension							W.P.	Thread		Weight
	mm	inch	F	T	C	L	E	bar	F	F1	L1	CH1	kg/unit
5150-02-04	6	1/4"	7/16" - 20	1/8"	20	16.5	14	345	7/16-20	1/8-27 NPTF	18.5	12	0,02
5150-02-05	8	5/16"	1/2" - 20	1/8"	22	16.5	14	345	1/2-20	1/8-27 NPTF	19.5	14	0,025
5150-04-04	6	1/4"	7/16" - 20	1/4"	21	22	14	345	7/16-20	1/4-18 NPTF	21	14	0,03
5150-04-05	8	5/16"	1/2" - 20	1/4"	20	22	14	345	1/2-20	1/4-18 NPTF	21	14	0,03
5150-04-06	10	3/8"	9/16" - 18	1/4"	22	22	19	345	9/16-18	1/4-18 NPTF	21	14	0,027
5150-06-06	10	3/8"	9/16" - 18	3/8"	22	24	19	310	9/16-18	3/8-18 NPTF	22	19	0,052
5150-06-08	12	1/2"	3/4" - 16	3/8"	27	24	22	310	3/4-16	3/8-18 NPTF	25	19	0,06
5150-06-10	14-16	5/8"	7/8" - 14	3/8"	29	25	22	310	7/8-14	3/8-18 NPTF	28	22	0,095
5150-08-08	12	1/2"	3/4" - 16	1/2"	27	29.5	22	240	3/4-16	1/2-14 NPTF	25	22	0,092
5150-08-10	14-16	5/8"	7/8" - 14	1/2"	32	29.5	27	240	7/8-14	1/2-14 NPTF	28	22	0,092
5150-08-12	18-20	3/4"	1.1/16" - 12	1/2"	35	30.5	27	240	1.1/16-12	1/2-14 NPTF	32.5	27	0,145
5150-12-12	18-20	3/4"	1.1/16" - 12	3/4"	33	30.5	27	240	1.1/16-12	3/4-14 NPTF	32.5	27	0,15
5150-12-16	25	1"	1.5/16" - 12	3/4"	29	32.5	35	240	1.5/16-12	3/4-14 NPTF	37	33	0,215
5150-16-16	25	1"	1.5/16" - 12	1"	37	37.5	35	240	1.5/16-12	1-11.1/2 NPTF	37	33	0,24
5150-20-20	30-32	1.1/4"	1.5/8" - 12	1-1/4"	42	42.5	44	210	1.5/8-12	1.1/4-11.1/2 NPTF	40.5	41	0,385

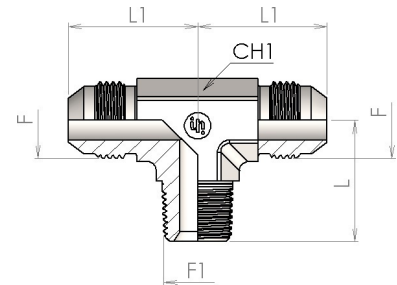
5160



NPTF Run Tee

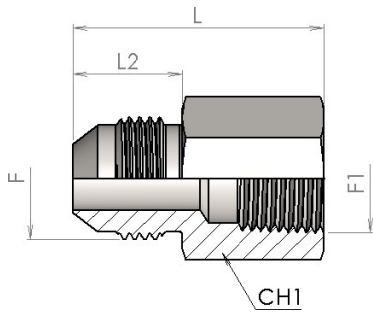
SDRT

Product number	Ø tube		Dimension								W.P.	Thread		Weight
	mm	inch	F	T	C	L	B	E	bar	F	F1	L1	CH1	kg/unit
5160-02-04	6	1/4"	7/16" - 20	1/8"	23	19.5	20	14	345	7/16-20	1/8-27 NPTF	22	12	0,031
5160-02-05	8	5/16"				24.5			345	1/2-20	1/8-27 NPTF	24	14	0,037
5160-04-04	6	1/4"	7/16" - 20	1/4"	26	27.5	26	14	345	7/16-20	1/4-18 NPTF	23	14	0,049
5160-04-06	10	3/8"	9/16" - 18	1/4"	27	27.5	28	14	345	9/16-18	1/4-18 NPTF	27	14	0,057
5160-06-06	10	3/8"				31			345	9/16-18	3/8-18 NPTF	29.5	22	0,077
5160-06-08	12	1/2"	3/4" - 16	3/8"	32	31	31	19	310	3/4-16	3/8-18 NPTF	32	19	0,113
5160-08-08	12	1/2"				36			240	3/4-16	1/2-16 NPTF	34	19	0,164
5160-08-10	14-16	5/8"	7/8" - 14	1/2"	37	36	37	22	240	7/8-14	1/2-14 NPTF	36	22	0,173
5160-12-12	18-20	3/4"	1.1/16" - 12	3/4"	42	40.5	40	27	240	1.1/16-12	3/4-14 NPTF	42	27	0,272
5160-16-16	25	1"	1.5/16" - 12	1"	46	50	45.5	32	240	1.5/16-12	1-11.1/2 NPTF	46	33	0,413
5160-20-20	30-32	1.1/4"				60.5			210	1.5/8-12	1.1/4-11.1/2 NPTF	52	41	0,681
5160-24-24	38	1.1/2"				67			170	1.7/8-12	1.1/2-11.1/2 NPTF	59	50	0,905

NPT Branch Tee
SDBT


Product number	Ø tube		Dimension								W.P.	Thread		Weight
	mm	inch	F	T	C	L	B	E	bar	F	F1	L1	CH1	kg/unit
5170-02-04	6	1/4"	7/16" - 20	1/8"	20	19.5	23	14	345	7/16-20	1/8-27 NPTF	22	12	0,031
5170-02-05	8	5/16"				24.5			345	1/2-20	1/8-27 NPTF	24	14	0,037
5170-04-04	6	1/4"	7/16" - 20	1/4"	26	27.5	26	14	345	7/16-20	1/4-18 NPTF	23	14	0,049
5170-04-06	10	3/8"	9/16" - 18	1/4"	28	27.5	27	14	345	9/16-18	1/4-18 NPTF	27	14	0,057
5170-06-06	10	3/8"				31			310	9/16-18	3/8-18 NPTF	29.5	19	0,077
5170-06-08	12	1/2"	3/4" - 16	3/8"	31	31	32	19	310	3/4-16	3/8-18 NPTF	32	19	0,113
5170-08-08	12	1/2"				36			240	3/4-16	1/2-14 NPTF	34	22	0,164
5170-08-10	14-16	5/8"	7/8" - 14	1/2"	37	36	37	22	240	7/8-14	1/2-14 NPTF	36	22	0,173
5170-12-12	18-20	3/4"	1.1/16" - 12	3/4"	40	40.5	42	27	240	1.1/16-12	3/4-14 NPTF	42	27	0,272
5170-16-16	25	1"	1.5/16" - 12	1"	50	50	46	35	240	1.5/16-12	1-11.1/2 NPTF	46	33	0,413
5170-20-20	30-32	1.1/4"				60.5			210	1.5/8-12	1.1/4-11.1/2 NPTF	52	41	0,681
5170-24-24	38	1.1/2"				67			170	1.7/8-12	1.1/2-11.1/2 NPTF	59	50	0,905

5180



Male JIC -Female NPTF stud connector

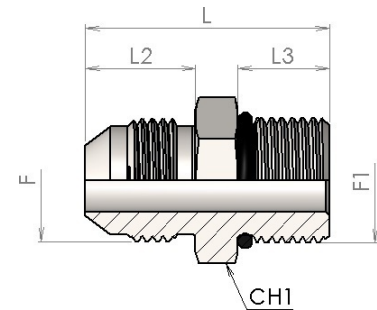
SWS

Product number	Ø tube		Dimension							Thread		Weight
	mm	inch	F	T	C	L	E	F	F1	L2	CH1	kg/unit
5180-02-04	6	1/4"	7/16" - 20	1/8" - 27	14	30	14	7/16-20	1/8-27 NPTF	14	14	0,045
5180-02-05	8	5/16"	1/2" - 20	1/8" - 27	14	30	14	1/2-20	1/8-27 NPTF	14	14	0,04
5180-04-05	8	5/16"				35.5		1/2-20	1/4-18 NPTF	14	19	0,045
5180-04-06	10	3/8"	9/16" - 18	1/4" - 18	14	35.5	19	9/16-18	1/4-18 NPTF	14	19	0,04
5180-06-06	10	3/8"	9/16" - 18	3/8" - 18	14	36.5	22	9/16-18	3/8-18 NPTF	14	22	0,065
5180-06-08	12	1/2"	3/4" - 16	3/8" - 14	17	39.5	22	3/4-16	3/8-18 NPTF	17	22	0,045
5180-08-10	16	5/8"	7/8" - 14	1/2" - 14	19	48	24	7/8-14	1/2-14 NPTF	19.5	30	0,125
5180-12-12	20	3/4"	1.1/16" - 12	3/4" - 14	22	52.5	27	1.1/16-12	3/4-14 NPTF	22	36	0,19
5180-16-16	25	1"	1.5/16" - 12	1" - 11.1/2	23	59.5	36	1.5/16-12	1-11.1/2 NPTF	23	41	0,28
5180-20-20	30-32	1.1/4"				63		1.5/8-12	1.1/4-1.1/2 NPTF	24.5	50	0,41
5180-24-24	38	1.1/2"				66.5		1.7/8-12	1.1/2-11.1/2 NPTF	27.5	60	0,37

1907

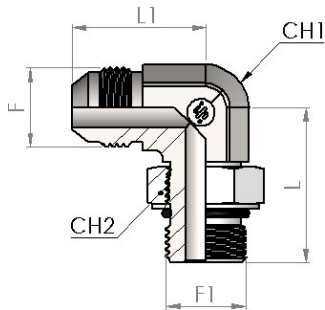
Male stud connector JIC-UNF (ISO 11926)

SDS



Product number	Ø tube		Dimension									W.P.		Thread		Weight
	mm	F	inch	T	C	L	B	E	bar	F	F1	L2	L3	CH1	kg/unit	
1907-04-04	6	7/16" - 20	1/4"	7/16" - 20	14	31	9	14	315	7/16-20	7/16-20	14	9	14	0,015	
1907-04-05	6	7/16" - 20	1/4"	1/2" - 20	14	31	9	16	315	7/16-20	1/2-20	14	9	17	0,025	
1907-04-06	6	7/16" - 20	1/4"	9/16" - 18	14	32.5	10	17	315	7/16-20	9/16-18	14	10	17	0,027	
1907-05-05	8	1/2" - 20	5/16"	1/2" - 20	14	31	9	17	315	1/2-20	1/2-20	14	9	17	0,02	
1907-06-06	10	9/16" - 18	3/8"	9/16" - 18	14	33	10	17	315	9/16-18	9/16-18	14	10	17	0,025	
1907-06-08	10	9/16" - 18	3/8"	3/4" - 14	14	35	11	22	315	9/16-18	3/4-16	14	11	22	0,045	
1907-08-08	12	3/4" - 14	1/2"	3/4" - 14	17	37.5	11	22	315	3/4-16	3/4-16	17	11	22	0,06	
1907-08-10	12	3/4" - 14	1/2"	7/8" - 14	17	40	13	27	250	3/4-16	7/8-14	17	12.5	27	0,075	
1907-08-12	12		1/2"			44.5			250	3/4-16	11/16-12	17	15	32	0,125	
1907-10-08	14-16	7/8" - 14	5/8"	3/4" - 14	19	40	11	24	315	7/8-14	3/4-16	19	11	24	0,065	
1907-10-10	14-16	7/8" - 14	5/8"	7/8" - 14	19	43	13	27	250	7/8-14	7/8-14	19	12.5	27	0,075	
1907-10-12	14-16	7/8" - 14	5/8"	1.1/16" - 12	19	47.5	15	32	250	7/8-14	11/16-12	19	15	32	0,135	
1907-12-08	18-20		3/4"			44.5			315	11/16-12	3/4-16	22	11	27	0,1	
1907-12-10	18-20	1.1/16" - 12	3/4"	7/8" - 14	22	47.5	13	27	250	11/16-12	7/8-14	22	12.5	27	0,11	
1907-12-12	18-20	1.1/16" - 12	3/4"	1.1/16" - 12	22	50	15	32	250	11/16-12	11/16-12	22	15	32	0,135	
1907-12-16	18-20	1.1/16" - 12	3/4"	1.5/16" - 12	22	51	15	38	200	11/16-12	15/16-12	22	15	38	0,2	
1907-16-12	25	1.5/16" - 12	1"	1.1/16" - 12	23	50.5	15	34	250	15/16-12	11/16-12	23	15	36	0,2	
1907-16-16	25	1.5/16" - 12	1"	1.5/16" - 12	23	52	15	38	200	15/16-12	15/16-12	23	15	38	0,205	
1907-20-20	30-32	1.5/8" - 12	1.1/4"	1.5/8" - 12	24	55	15	50	160	15/8-12	15/8-12	24	15	50	0,364	
1907-24-24	38	1.7/8" - 12	1.1/2"	1.7/8" - 12	28	60	15	55	160	17/8-12	17/8-12	27.5	15	55	0,487	

5190



90° Adjustable stud elbow JIC-UNF (ISO 11926)

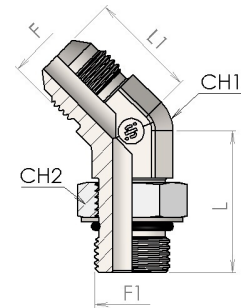
SDE

Product number	Ø tube		Dimension									W.P.	Thread		Weight kg/unit
	mm	inch	F	T	C	L	H	E	bar	F	F1		L1	CH1	
5190-04	6	1/4"	7/16" - 20	7/16" - 20	24	27	14	11	315	7/16-20	7/16-20	22	12	14	0,037
5190-04-05	8	5/16"				28.5			315	1/2-20	7/16-20	24	14	14	0,055
5190-05	8	5/16"	1/2" - 20	1/2" - 20	26	30	17	14	315	1/2-20	1/2-20	24	14	17	0,047
5190-05-06	10	3/8"				31.5			315	9/16-18	1/2-20	27	14	17	0,099
5190-06	10	3/8"	9/16" - 18	9/16" - 18	26	33	17	14	250	9/16-18	9/16-18	27	14	19	0,063
5190-06-08	12	1/2"				35			250	3/4-16	9/16-18	32	19	19	0,13
5190-08	12	1/2"	3/4" - 16	3/4" - 16	31	37	24	19	250	3/4-16	3/4-16	32	19	24	0,16
5190-08-10	16	5/8"				40			250	7/8-14	3/4-16	36	22	24	0,18
5190-10	16	5/8"	7/8" - 14	7/8" - 14	35	43	25	22	200	7/8-14	7/8-14	36	22	27	0,186
5190-10-12	20	3/4"				46.5			200	1.1/16-12	7/8-14	42	27	27	0,297
5190-12	20	3/4"	1.1/16" - 12	1.1/16" - 12	41	50	32	27	200	1.1/16-12	1.1/16-12	42	27	36	0,301
5190-12-16	25	1"				51.5			200	1.5/16-12	1.1/16-12	46	33	36	0,418
5190-16	25	1"	1.5/16" - 12	1.5/16" - 12	47	53	38	35	160	1.5/16-12	1.5/16-12	46	33	41	0,426
5190-16-20	30-32	1.1/4"				55.5			160	1.5/8-12	1.5/16-12	52	41	41	0,65
5190-20	30-32	1.1/4"	1.5/8" - 12	1.5/8" - 12	57	58	48	43	125	1.5/8-12	1.5/8-12	52	41	50	0,674
5190-20-24	38	1.1/2"				60.5			125	1.7/8-12	1.5/8-12	59	50	50	0,92
5190-24	38	1.1/2"				63			125	1.7/8-12	1.7/8-12	59	50	55	0,917

5200

45° Adjustable stud elbow JIC-UNF (ISO 11926)

SDE45

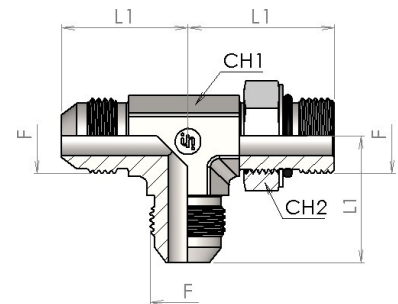


Product number	Ø tube		Dimension									W.P.	Thread			Weight
	mm	inch	F	T	C	L	H	E	bar	F	F1		L1	CH1	CH2	
5200-04	6	1/4"	7/16" - 20	7/16" - 20	19	27	14	11	315	7/16-20	7/16-20	20	12	14	0,034	
5200-05	8	5/16"	1/2" - 20	1/2" - 20	22	28	17	14	315	1/2-20	1/2-20	21	14	17	0,042	
5200-06	10	3/8"	9/16" - 18	9/16" - 18	22	30	17	14	250	9/16-18	9/16-18	21.5	14	19	0,052	
5200-08	12	1/2"	3/4" - 16	3/4" - 16	26	33.5	22	19	250	3/4-16	3/4-16	26	19	24	0,104	
5200-10	16	5/8"	7/8" - 14	7/8" - 14	30	39	25	22	200	7/8-14	7/8-14	29	22	27	0,157	
5200-12	20	3/4"	1.1/16" - 12	1.1/16" - 12	32.5	44	32	27	200	1.1/16-12	1.1/16-12	33	27	36	0,258	
5200-16	25	1"	1.5/16" - 12	1.5/16" - 12	39	47	38	35	160	1.5/16-12	1.5/16-12	37.5	33	41	0,375	
5200-20	30-32	1.1/4"	1.5/8" - 12	1.5/8" - 12	40	48.5	48	43	125	1.5/8-12	1.5/8-12	40.5	41	50	0,57	

5210

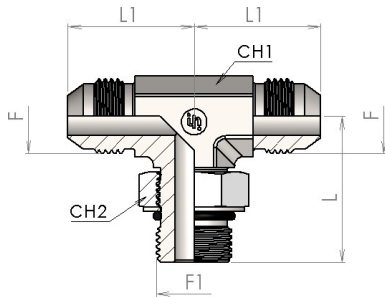
Adjustable stud Run Tee JIC-UNF (ISO 11926)

SDRT



Product number	Ø tube		Dimension									W.P.	Thread			Weight
	mm	inch	F	T	C	L	B	E	bar	F	F1		L1	CH1	CH2	
5210-04	6	1/4"	7/16" - 20	7/16" - 20	10	27	26	11	315	7/16-20	7/16-20	22	12	14	0,046	
5210-05	8	5/16"	1/2" - 20	1/2" - 20	11	30	28	13	315	1/2-20	1/2-20	24	14	17	0,066	
5210-06	10	3/8"	9/16" - 18	9/16" - 18	11	33	32	14	250	9/16-18	9/16-18	27	14	19	0,076	
5210-08	12	1/2"	3/4" - 16	3/4" - 16	13	37	37	19	250	3/4-16	3/4-16	32	19	24	0,15	
5210-10	16	5/8"	7/8" - 14	7/8" - 14	14	43	43	22	200	7/8-14	7/8-14	36	22	27	0,224	
5210-12	20	3/4"	1.1/16" - 12	1.1/16" - 12	17	50	49	27	200	1.1/16-12	1.1/16-12	42	27	36	0,367	
5210-16	25	1"	1.5/16" - 12	1.5/16" - 12	17	53	52	33	160	1.5/16-12	1.5/16-12	46	33	41	0,506	
5210-20	30-32	1.1/4"				58			125	1.5/8-12	1.5/8-12	52	41	50	1,053	
5210-24	38	1.1/2"				63			125	1.7/8-12	1.7/8-12	59	50	55	1,296	

5220



Adjustable stud Branch Tee JIC-UNF (ISO 11926)

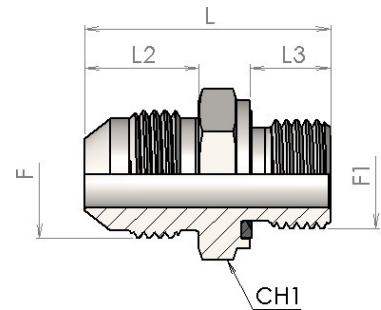
SDBT

Product number	Ø tube		Dimension									W.P.	Thread			Weight kg/unit
	mm	inch	F	T	C	L	H	E	bar	F	F1		L1	CH1	CH2	
5220-04	6	1/4"	7/16" - 20	7/16" - 20	23	27	14	11	315	7/16-20	7/16-20	22	12	14	0,046	
5220-05	8	5/16"	1/2" - 20	1/2" - 20	24	30	16	13	315	1/2-20	1/2-20	24	14	17	0,066	
5220-06	10	3/8"	9/16" - 18	9/16" - 18	27	33	17	14	250	9/16-18	9/16-18	27	14	19	0,076	
5220-08	12	1/2"	3/4" - 16	3/4" - 16	32	37	22	19	250	3/4-16	3/4-16	32	19	22	0,15	
5220-10	16	5/8"	7/8" - 14	7/8" - 14	37	43	27	22	200	7/8-14	7/8-14	36	22	27	0,224	
5220-12	20	3/4"	1.1/16" - 12	1.1/16" - 12	42	50	32	27	200	1.1/16-12	1.1/16-12	42	27	36	0,367	
5220-16	25	1"	1.5/16" - 12	1.5/16" - 12	46	53	38	33	160	1.5/16-12	1.5/16-12	46	33	41	0,506	
5220-20	30-32	1.1/4"				58			125	1.5/8-12	1.5/8-12	52	41	50	1,053	
5220-24	38	1.1/2"				63			125	1.7/8-12	1.7/8-12	59	50	55	1,296	

5805

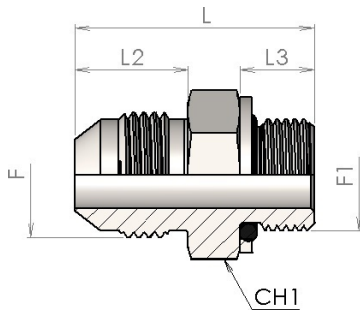
Male stud connector JIC-BSPP (Form E ISO 1179-2)

SDS



Product number	Ø tube		Dimension									W.P.	Thread			Weight
	mm	inch	F	T	L	B	C	E	bar	F	F1	L2	L3	CH1	kg/unit	
5805-02-04	6	1/4"	7/16-20	1/8-28	30	7	14	14	630	7/16-20	G 1/8	14	8	14	0,02	
5805-04-04	6	1/4"	7/16-20	1/4-19	36.5	10	14	19	630	7/16-20	G 1/4	14	12	19	0,034	
5805-04-05	8	5/16"	1/2-20	1/4-19	35	10	14	19	630	1/2-20	G 1/4	14	12	19	0,03	
5805-04-06	10	3/8"	9/16-18	1/4-19	35	10	14	19	630	9/16-18	G 1/4	14	12	19	0,028	
5805-04-08	12	1/2"	3/4-16	1/4-19	39.5	10	17	22	630	3/4-16	G 1/4	17	12	22	0,04	
5805-06-04	6	1/4"	7/16-20	3/8-19	36.5	10	14	22	630	7/16-20	G 3/8	14	12	22	0,047	
5805-06-05	8	5/16"	1/2-20	3/8-19	36.5	10	14	22	630	1/2-20	G 3/8	14	12	22	0,047	
5805-06-06	10	3/8"	9/16-18	3/8-19	36.5	10	14	22	630	9/16-18	G 3/8	14	12	22	0,04	
5805-06-08	12	1/2"	3/4-16	3/8-19	38.5	10	17	27	630	3/4-16	G 3/8	17	12	22	0,05	
5805-06-10	14-16	5/8"	7/8-14	3/8-19	42.5	10	19.5	24	630	7/8-14	G 3/8	19	12	24	0,065	
5805-08-06	10	3/8"	9/16-18	1/2-14	39	12	14	19	400	9/16-18	G 1/2	14	14	27	0,095	
5805-08-08	12	1/2"	3/4-16	1/2-14	43	12	17	19	400	3/4-16	G 1/2	17	14	27	0,1	
5805-08-10	16	5/8"	7/8-14	1/2-14	44.5	12	19.5	27	400	7/8-14	G 1/2	19	14	27	0,103	
5805-08-12	18-20	3/4"	1.1/16-12	1/2-14	49	12	22	32	400	1.1/16-12	G 1/2	22	14	30	0,118	
5805-12-08	12	1/2"	3/4-16	3/4-11	47	14	17	22	400	3/4-16	G 3/4	17	16	32	0,1	
5805-12-10	14-16	5/8"	7/8-14	3/4-11	49.5				400	7/8-14	G 3/4	19	16	32	0,16	
5805-12-12	20	3/4"	1.1/16-12	3/4-11	51	14	22	41	400	1.1/16-12	G 3/4	22	16	32	0,165	
5805-12-16	25	1"	1.5/16-12	3/4-11	53	14	23	32	400	1.5/16-12	G 3/4	23	16	36	0,217	
5805-16-12	18-20	3/4"	1.1/16-12	1-11	55	15.5	22	27	400	1.1/16-12	G 1	22	18	41	0,292	
5805-16-16	25	1"	1.5/16-12	1-11	55	15.5	23	41	400	1.5/16-12	G 1	23	18	41	0,262	
5805-16-20	30-32	1.1/4"			58				400	1.5/8-12	G 1	24	18	46	0,255	
5805-20-16	25	1"	1.5/16-12	1.1/4-11	59.5	17.5	23	50	250	1.5/16-12	G 1.1/4	23	20	50	0,386	
5805-20-20	30-32	1.1/4"	1.5/8-12	1.1/4-11	60	17.5	24.5	50	250	1.5/8-12	G 1.1/4	24	20	50	0,375	
5805-20-24	38	1.1/2"			66				250	1.7/8-12	G 1.1/4	27.5	20	50	0,42	
5805-24-24	38	1.1/2"	1.7/8-12	1.1/2-11	67	19.5	27.5	60	250	1.7/8-12	G 1.1/2	27.5	22	55	0,48	

1915



Male stud connector JIC-BSP (ISO 1179)

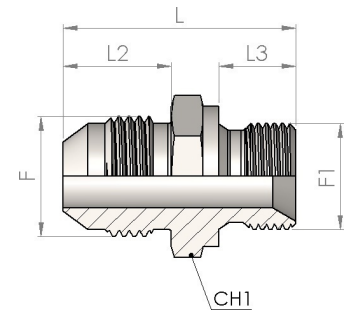
SDS

Product number	Ø tube		Dimension									Weight	W.P.			Thread
	mm	F	inch	T	L	B	C	E	kg/unit	bar	F	F1	L2	L3	CH1	
1915-02-04	6	7/16-20	1/4"	1/8-28	30	8	14	16	0,015	315	7/16-20	G 1/8	14	8	14	
1915-02-05	8	1/2-20	5/16"	1/8-28	29	8	14	16	0,02	315	1/2-20	G 1/8	14	8	14	
1915-04-04	6	7/16-20	1/4"	1/4-19	34.5	12	14	19	0,034	315	7/16-20	G 1/4	14	12	19	
1915-04-05	8	1/2-20	5/16"	1/4-19	34	12	14	19	0,03	315	1/2-20	G 1/4	14	12	19	
1915-04-06	10	9/16-18	3/8"	1/4-19	34	12	14	19	0,028	315	9/16-18	G 1/4	14	12	19	
1915-04-08	12	3/4-16	1/2"	1/4-19	37.5	12	17	22	0,045	315	3/4-16	G 1/4	17	12	22	
1915-06-04	6	7/16-20	1/4"	3/8-19	34.5	12	14	24	0,047	315	7/16-20	G 3/8	14	12	22	
1915-06-05	8	1/2-20	5/16"	3/8-19	34.5	12	14	24	0,047	315	1/2-20	G 3/8	14	12	22	
1915-06-06	10	9/16-18	3/8"	3/8-19	34.5	12	14	24	0,04	315	9/16-18	G 3/8	14	12	22	
1915-06-08	12	3/4-16	1/2"	3/8-19	38	12	17	24	0,05	315	3/4-16	G 3/8	17	12	22	
1915-06-10	14-16	7/8-14	5/8"	3/8-19	40	12	20	24	0,065	315	7/8-14	G 3/8	19	12	24	
1915-08-06	10	9/16-18	3/8"	1/2-14	40	14	14	27	0,02	250	9/16-18	G 1/2	14	14	27	
1915-08-08	12	3/4-16	1/2"	1/2-14	41	14	17	27	0,095	250	3/4-16	G 1/2	17	14	27	
1915-08-10	16	7/8-14	5/8"	1/2-14	44	14	20	27	0,095	250	7/8-14	G 1/2	19	14	27	
1915-08-12	18-20	1.1/16-12	3/4"	1/2-14	47	14	22	27	0,115	250	11/16-12	G 1/2	22	14	30	
1915-12-08	12	3/4-16	1/2"	3/4-11	45	16	17	36	0,1	250	3/4-16	G 3/4	17	16	36	
1915-12-10	14-16	7/8-14	5/8"	3/4-11	47	16	20	36	0,16	250	7/8-14	G 3/4	19	16	36	
1915-12-12	20	1.1/16-12	3/4"	3/4-11	50	16	22	36	0,17	250	11/16-12	G 3/4	22	16	36	
1915-12-16	25	1.5/16-12	1"	3/4-11	51	16	23	36	0,175	250	15/16-12	G 3/4	23	16	36	
1915-16-12	18-20	1.1/16-12	3/4"	1-11	52.5	18	22	41	0,21	250	11/16-12	G 1	22	18	41	
1915-16-16	25	1.5/16-12	1"	1-11	53.5	18	23	41	0,22	250	15/16-12	G 1	23	18	41	
1915-16-20	30-32	1.5/8-12	1.1/4"	1-11	55.5	18	25	42	0,33	250	15/8-12	G 1	24	18	46	
1915-20-16	25	1.5/16-12	1"	1.1/4-11	57	20	23	50	0,385	160	15/16-12	G 1.1/4	23	20	50	
1915-20-20	30-32	1.5/8-12	1.1/4"	1.1/4-11	58	20	25	50	0,33	160	15/8-12	G 1.1/4	24	20	50	
1915-24-24	38	1.7/8-12	1.1/2"	1.1/2-11	65.5	22	28	60	0,48	160	17/8-12	G 1.1/2	27.5	22	55	

1905

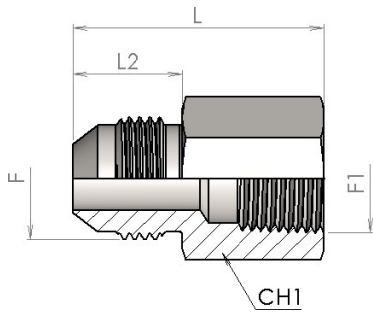
Male stud connector JIC-BSP

SDS



Product number	Ø tube		Dimension									W.P. Thread			Weight
	mm	inch	F	T	C	L	B	E	bar	F	F1	L2	L3	CH1	kg/unit
1905-02-04	6	1/4"	28.5	350	7/16-20	G 1/8-28	14	8	14	0,014					
1905-04-04	6	1/4"	7/16" - 20	1/4"	14	33	12	19	350	7/16-20	G 1/4	14	11	19	0,03
1905-04-05	8	5/16"	1/2" - 20	1/4"	14	33	12	19	350	1/2-20	G 1/4	14	11	19	0,03
1905-04-06	10	3/8"	9/16" - 18	1/4"	14	33	12	19	350	9/16-18	G 1/4	14	11	19	0,03
1905-04-08	12	1/2"				38			310	3/4-16	G 1/4	17	12	22	0,062
1905-06-04	6	1/4"				35.5			350	7/16-20	G 3/8	14	12	22	0,047
1905-06-05	8	5/16"	1/2" - 20	3/8"	14	35.5	12	22	350	1/2-20	G 3/8	14	12	22	0,047
1905-06-06	10	3/8"	9/16" - 18	3/8"	14	35.5	12	22	350	9/16-18	G 3/8	14	12	22	0,047
1905-06-08	12	1/2"	3/4" - 16	3/8"	17	38	12	22	310	3/4-16	G 3/8	17	12	22	0,062
1905-06-10	16	5/8"	7/8" - 14	3/8"	19	42	12	24	240	7/8-14	G 3/8	19	12	24	0,068
1905-08-06	10	3/8"	9/16" - 18	1/2"	14	39	14	27	350	9/16-18	G 1/2	14	14	27	0,068
1905-08-08	12	1/2"	3/4" - 16	1/2"	17	41.5	14	27	310	3/4-16	G 1/2	17	14	27	0,079
1905-08-10	16	5/8"	7/8" - 14	1/2"	19	44.5	14	27	240	7/8-14	G 1/2	19	14	27	0,085
1905-08-12	20	3/4"	1.1/16" - 12	1/2"	22	47	14	27	240	11/16-12	G 1/2	22	14	27	0,12
1905-12-08	12	1/2"				43.5			310	3/4-16	G 3/4	17	16	32	0,145
1905-12-10	16	5/8"	7/8" - 14	3/4"	19	46.5	16	32	240	7/8-14	G 3/4	19	16	32	0,155
1905-12-12	20	3/4"	1.1/16" - 12	3/4"	22	49	16	32	240	11/16-12	G 3/4	22	16	32	0,162
1905-12-16	25	1"	1.5/16" - 12	3/4"	23	52	16	34	210	15/16-12	G 3/4	23	16	36	0,175
1905-16-12	20	3/4"	1.1/16" - 12	1"	22	52	18	41	240	11/16-12	G 1	22	19	41	0,21
1905-16-16	25	1"	1.5/16" - 12	1"	23	54	18	41	210	15/16-12	G 1	23	19	41	0,215
1905-16-20	30	0	1.5/8" - 12	1"	24	57	18	42	170	15/8-12	G 1	24	19	42	0,29
1905-20-20	30	0	1.5/8" - 12	1.1/4"	24	58	20	50	170	15/8-12	G 1.1/4	24	20	50	0,435
1905-24-24	38	1.1/2"	1.7/8" - 12	1.1/2"	28	62.5	22	55	140	17/8-12	G 1.1/2	27.5	22	55	0,61

5185



Male-Female connector JIC-BSP

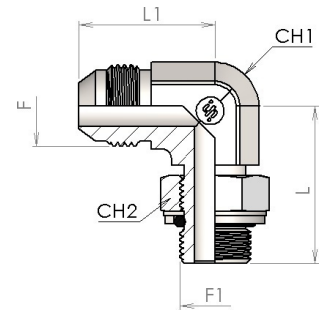
SWS

Product number	Ø tube		Dimension							Thread		Weight
	mm	inch	F	T	C	L	E	F	F1	L2	CH1	kg/unit
5185-02-04	6	1/4"	7/16-20	1/8-28	14	30	19	7/16-20	G 1/8	14	14	0,045
5185-02-05	8	5/16"	1/2-20	1/8-28	14	30	19	1/2-20	G 1/8	14	14	0,04
5185-04-04	6	1/4"	7/16-20	1/4-19	14	35.5	19	7/16-20	G 1/4	14	19	0,045
5185-04-05	8	5/16"	1/2-20	1/4-19	14	35.5	19	1/2-20	G 1/4	14	19	0,045
5185-04-06	10	3/8"	9/16-18	1/4-19	14	35.5	22	9/16-18	G 1/4	14	19	0,04
5185-04-08	12	1/2"	3/4-16	1/4-19	17	38.5	27	3/4-16	G 1/4	17	22	0,04
5185-06-06	10	3/8"	9/16-18	3/8-19	14	36.5	22	9/16-18	G 3/8	14	22	0,065
5185-06-08	12	1/2"	3/4-16	3/8-19	17	39.5	27	3/4-16	G 3/8	17	22	0,045
5185-08-06	10	3/8"	9/16-18	1/2-14	14	43	22	9/16-18	G 1/2	14	30	0,105
5185-08-08	12	1/2"	3/4-16	1/2-14	17	45.5	27	3/4-16	G 1/2	17	30	0,1
5185-08-10	14-16	5/8"	7/8-14	1/2-14	20	48	32	7/8-14	G 1/2	19.5	30	0,125
5185-08-12	18-20	3/4"	1.1/16-12	1/2-14	22	52	32	1.1/16-12	G 1/2	22	30	0,125
5185-12-12	18-20	3/4"	1.1/16-12	3/4-11	22	52.5	32	1.1/16-12	G 3/4	22	36	0,19
5185-16-16	25	1"	1.5/16-12	1-11	23	59.5	41	1.5/16-12	G 1	23	41	0,28
5185-20-20	30-32	1.1/4"				63		1.5/8-12	G 1.1/4	24.5	50	0,41
5185-24-24	38	1.1/2"				66.5		1.7/8-12	G 1.1/2	27.5	60	0,37

5230

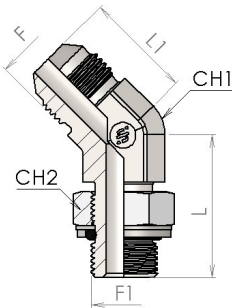
90° Adjustable stud elbow JIC-BSP (ISO 1179)

SDE



Product number	Ø tube		Dimension									W.P.	Thread			Weight kg/unit
	mm	inch	F	T	C	L	H	E	bar	F	F1		L1	CH1	CH2	
5230-02-04	6	1/4"	7/16" - 20	1/8"	23	27	14	11	200	7/16-20	G 1/8	22	12	14	0,037	
5230-02-05	8	5/16"				29			200	1/2-20	G 1/8	24	14	14	0,047	
5230-04-04	6	1/4"	7/16" - 20	1/4"	24	33	19	14	200	7/16-20	G 1/4	23	14	19	0,043	
5230-04-05	8	5/16"	1/2" - 20	1/4"	24	33	19	14	200	1/2-20	G 1/4	24	14	19	0,055	
5230-04-06	10	3/8"	9/16" - 18	1/4"	27	33	19	14	200	9/16-18	G 1/4	27	14	19	0,061	
5230-04-08	12	1/2"				35			200	3/4-16	G 1/4	32	19	19	0,088	
5230-04-10	14-16	5/8"				37			200	7/8-14	G 1/4	36	22	19	0,095	
5230-06-04	6	1/4"				37			200	7/16-20	G 3/8	27	19	22	0,05	
5230-06-05	8	5/16"				37			200	1/2-20	G 3/8	28	19	22	0,057	
5230-06-06	10	3/8"	9/16" - 18	3/8"	29	37	22	19	200	9/16-18	G 3/8	29.5	19	22	0,087	
5230-06-08	12	1/2"	3/4" - 16	3/8"	32	37	22	19	200	3/4-16	G 3/8	32	19	22	0,092	
5230-06-10	14-16	5/8"	7/8" - 14	3/8"	37	40	22	22	200	7/8-14	G 3/8	36	22	22	0,19	
5230-08-04	6	1/4"				43			200	7/16-20	G 1/2	29	22	27	0,127	
5230-08-05	8	5/16"				43			200	1/2-20	G 1/2	30	22	27	0,135	
5230-08-06	10	3/8"				43			200	9/16-18	G 1/2	31.5	22	27	0,14	
5230-08-08	12	1/2"	3/4" - 16	1/2"	34	43	27	22	200	3/4-16	G 1/2	34	22	27	0,155	
5230-08-10	14-16	5/8"	7/8" - 14	1/2"	37	43	27	22	200	7/8-14	G 1/2	36	22	27	0,164	
5230-08-12	18-20	3/4"	1.1/16" - 12	1/2"	42	46.5	27	27	200	1.1/16-12	G 1/2	42	27	27	0,245	
5230-12-08	12	1/2"				50			200	3/4-16	G 3/4	38	27	36	0,205	
5230-12-10	14-16	5/8"	7/8" - 14	3/4"	37	50	36	27	200	7/8-14	G 3/4	39	27	36	0,217	
5230-12-12	18-20	3/4"	1.1/16" - 12	3/4"	42	50	36	27	200	1.1/16-12	G 3/4	42	27	36	0,295	
5230-12-16	25	1"				52			200	1.5/16-12	G 3/4	46	33	36	0,405	
5230-16-12	18-20	3/4"				53			160	1.1/16-12	G 1	44	33	41	0,317	
5230-16-16	25	1"	1.5/16" - 12	1"	46	53	41	33	160	1.5/16-12	G 1	46	33	41	0,425	
5230-16-20	30-32	1.1/4"				57			160	1.5/8-12	G 1	52	41	41	0,65	
5230-20-16	25	1"				58			160	1.5/16-12	G 1.1/4-11	49	41	50	0,672	
5230-20-20	30-32	1.1/4"	1.5/8" - 12	1.1/4"	52	58	50	41	160	1.5/8-12	G 1.1/4-11	52	41	50	0,697	
5230-20-24	38	1.1/2"				63			160	1.7/8-12	G 1.1/4-11	59	50	50	0,964	
5230-24-24	38	1.1/2"	1.7/8" - 12	1.1/2"	59	63	55	48	160	1.7/8-12	G 1.1/2-11	59	50	55	0,953	

5235



45° Adjustable stud elbow JIC-BSP (ISO 1179)

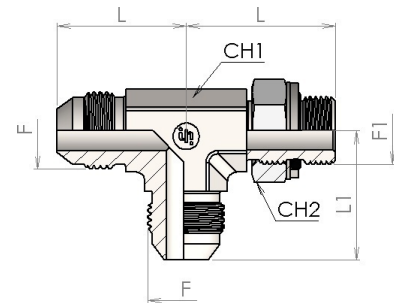
SDE45

Product number	Ø tube		Dimension										W.P.	Thread		Weight kg/unit
	mm	inch	F	T	B	C	H	E	bar	F	F1	L		L1	CH1	
5235-02-04	6	1/4"	7/16-20	1/8-28	19	27	14	12	200	7/16-20	G 1/8	27	21	12	14	0,035
5235-02-05	8	5/16"	1/2-20	1/8-28	20	27	14	14	200	1/2-20	G 1/8	28.5	21.5	14	14	0,044
5235-04-04	6	1/4"	7/16-20	1/4-19	21	29	19	14	200	7/16-20	G 1/4	30	21.5	14	19	0,048
5235-04-05	8	5/16"	1/2-20	1/4-19	21	29	19	14	200	1/2-20	G 1/4	30	21.5	14	19	0,051
5235-04-06	10	3/8"	9/16-18	1/4-19	21	29	19	14	200	9/16-18	G 1/4	30	21.5	14	19	0,055
5235-06-04	6	1/4"	7/16-20	3/8-19	21	33	24	19	200	7/16-20	G 3/8	33.5	23.5	19	22	0,063
5235-06-05	8	5/16"	1/2-20	3/8-19	21	33	24	19	200	1/2-20	G 3/8	33.5	23	19	22	0,066
5235-06-06	10	3/8"	9/16-18	3/8-19	22	33	24	19	200	9/16-18	G 3/8	33.5	22	19	22	0,07
5235-06-08	12	1/2"	3/4-16	3/8-19	25	33	24	19	200	3/4-16	G 3/8	33.5	26	19	22	0,104
5235-08-06	10	3/8"	9/16-18	1/2-14	23	39	27	22	200	9/16-18	G 1/2	39	25.5	22	27	0,092
5235-08-08	12	1/2"	3/4-16	1/2-14	25	39	27	22	200	3/4-16	G 1/2	39	27.5	22	27	0,148
5235-08-10	14-16	5/8"	7/8-14	1/2-14	28	39	27	22	200	7/8-14	G 1/2	39	29	22	27	0,165
5235-08-12	18-20	3/4"	1.1/16-12	1/2-14	33	41	27	27	200	1.1/16-12	G 1/2	41.5	33	27	27	0,182
5235-12-08	12	1/2"	3/4-16	3/4-11	28	44	36	27	200	3/4-16	G 3/4	44	29.5	27	36	0,218
5235-12-10	14-16	5/8"	7/8-14	3/4-11	30	44	36	27	200	7/8-14	G 3/4	44	31	27	36	0,235
5235-12-12	18-20	3/4"	1.1/16-12	3/4-11	33	44	36	27	200	1.1/16-12	G 3/4	44	33	27	36	0,27
5235-12-16	25	1"	1.5/16-12	3/4-11	37	47	36	33	200	1.5/16-12	G 3/4	45.5	37.5	33	36	0,31
5235-16-16	25	1"	1.5/16-12	1-11	37	47	41	33	200	1.5/16-12	G 1	47	37.5	33	41	0,394
5235-20-20	30-32	1.1/4"	1.5/8-12	1.1/4-11	41	49	50	41	160	1.5/8-12	G 1.1/4	48.5	40.5	41	50	0,599

5240

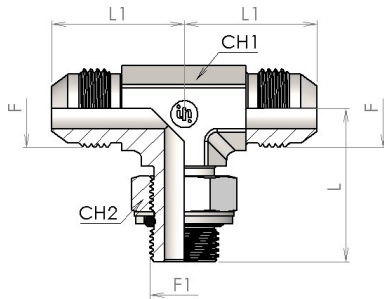
Adjustable stud Run Tee JIC-BSP (ISO 1179)

SDRT



Product number	Ø tube		Dimension									W.P.	Thread		Weight kg/unit
	mm	inch	T	F	C	L	B	E	bar	F	F1		L1	CH1	
5240-02-04	6	1/4"	7/16" - 20	1/8"	6	27	26	11	200	7/16-20	G 1/8	22	12	14	0,047
5240-02-05	8	5/16"				30			200	1/2-20	G 1/8	24	14	14	0,061
5240-04-04	6	1/4"				33			200	7/16-20	G 1/4	23	14	19	0,06
5240-04-05	8	5/16"	1/2" - 20	1/4"	11	33	32	14	200	1/2-20	G 1/4	24	14	19	0,072
5240-04-06	10	3/8"	9/16" - 18	1/4"	11	33	32	14	200	9/16-18	G 1/4	27	14	19	0,078
5240-06-04	8	5/16"				37			200	7/16-20	G 3/8	27	19	22	0,1
5240-06-06	10	3/8"	9/16" - 18	3/8"	11	37	37	19	200	9/16-18	G 3/8	29.5	19	22	0,148
5240-06-08	12	1/2"	3/4" - 16	3/8"	11	37	37	19	200	3/4-16	G 3/8	32	19	22	0,154
5240-06-10	14-16	5/8"				40			200	7/8-14	G 3/8	36	22	22	0,24
5240-08-06	10	3/8"				43			200	9/16-18	G 1/2	31.5	22	27	0,148
5240-08-08	12	1/2"				43			200	3/4-16	G 1/2	34	22	27	0,223
5240-08-10	14-16	5/8"	7/8" - 14	1/2"	13	43	43	22	200	7/8-14	G 1/2	36	22	27	0,231
5240-08-12	18-20	3/4"				46.5			200	1.1/16-12	G 1/2	42	27	27	0,314
5240-12-08	12	1/2"				50			200	3/4-16	G 3/4	37	27	36	0,289
5240-12-10	14-16	5/8"	7/8" - 14	3/4"	13	50	49.3	27	200	7/8-14	G 3/4	39	27	36	0,301
5240-12-12	18-20	3/4"	1.1/16" - 12	3/4"	13	50	50	27	200	1.1/16-12	G 3/4	42	27	36	0,379
5240-12-16	25	1"				51.5			200	1.5/16-12	G 3/4	46	33	36	0,489
5240-16-12	18-20	3/4"				53			160	1.1/16-12	G 1	44	33	41	0,461
5240-16-16	25	1"	1.5/16" - 12	1"	16	53	52	33	160	1.5/16-12	G 1	46	33	41	0,569
5240-20-20	30-32	1.1/4"				58			160	1.5/8-12	G 1.1/4-11	52	41	50	1,075
5240-24-24	38	1.1/2"				63			160	1.7/8-12	G 1.1/2-11	59	50	55	1,3

5250



Adjustable stud Branch Tee JIC-BSP (ISO 1179)

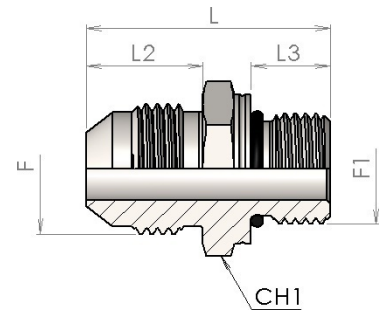
SDBT

Product number	Ø tube		Dimension									W.P.	Thread			Weight kg/unit
	mm	inch	F	T	C	L	H	E	bar	F	F1		L1	CH1	CH2	
5250-02-04	6	1/4"	7/16" - 20	1/8"	23	27	14	11	200	7/16-20	G 1/8	22	12	14	0,047	
5250-02-05	8	5/16"				30			200	1/2-20	G 1/8	24	14	14	0,061	
5250-04-04	6	1/4"				33			200	7/16-20	G 1/4	23	14	19	0,06	
5250-04-05	8	5/16"	1/2" - 20	1/4"	24	33	19	14	200	1/2-20	G 1/4	24	14	19	0,072	
5250-04-06	10	3/8"	9/16" - 18	1/4"	27	33	19	14	200	9/16-18	G 1/4	27	14	19	0,078	
5250-06-04	8	5/16"				37			200	7/16-20	G 3/8	27	19	22	0,1	
5250-06-06	10	3/8"	9/16" - 18	3/8"	27	37	22	19	200	9/16-18	G 3/8	29.5	19	22	0,148	
5250-06-08	12	1/2"	3/4" - 16	3/8"	32	37	22	19	200	3/4-16	G 3/8	32	19	22	0,154	
5250-06-10	14-16	5/8"				40			200	7/8-14	G 3/8	36	22	22	0,24	
5250-08-06	10	3/8"				43			200	9/16-18	G 1/2	31.5	22	27	0,148	
5250-08-08	12	1/2"	3/4" - 16	1/2"	34	43	27	22	200	3/4-16	G 1/2	34	22	27	0,223	
5250-08-10	14-16	5/8"	7/8" - 14	1/2"	37	43	27	22	200	7/8-14	G 1/2	36	22	27	0,231	
5250-08-12	18-20	3/4"				46.5			200	1.1/16-12	G 1/2	42	27	27	0,314	
5250-12-08	12	1/2"				50			200	3/4-16	G 3/4	37	27	36	0,289	
5250-12-10	14-16	5/8"				50			200	7/8-14	G 3/4	39	27	36	0,301	
5250-12-12	18-20	3/4"	1.1/16" - 12	3/4"	42	50	36	27	200	1.1/16-12	G 3/4	42	27	36	0,379	
5250-12-16	25	1"				51.5			200	1.5/16-12	G 3/4	46	33	36	0,489	
5250-16-12	18-20	3/4"				53			160	1.1/16-12	G 1	44	33	41	0,461	
5250-16-16	25	1"	1.5/16" - 12	1"	46	53	41	33	160	1.5/16-12	G 1	46	33	41	0,569	
5250-20-20	30-32	1.1/4"				58			160	1.5/8-12	G 1.1/4-11	52	41	50	1,075	
5250-24-24	38	1.1/2"				63			160	1.7/8-12	G 1.1/2-11	59	50	55	1,3	

1910

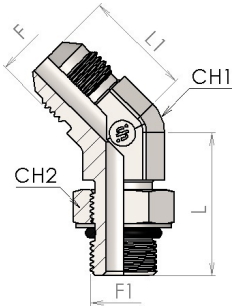
Male stud connector JIC-METRIC (ISO 6149)

SDS



Product number	W.P. bar	Ø tube		Thread		Dimension				Weight kg/unit
		mm	inch	F	F1	L	L2	L3	CH1	
1910-10-04	400	6	1/4"	7/16-20	M10x1	30	14	8.5	14	0,025
1910-10-05	400	8	5/16"	1/2-20	M10x1	30	14	8.5	14	0,03
1910-12-04	400	6	1/4"	7/16-20	M12x1,5	33	14	11	17	0,033
1910-12-05	400	8	5/16"	1/2-20	M12x1,5	32.5	14	11	17	0,037
1910-14-06	400	10	3/8"	9/16-18	M14x1,5	33.5	14	11	19	0,045
1910-16-06	315	10	3/8"	9/16-18	M16x1,5	35	14	11.5	22	0,055
1910-16-08	315	12	1/2"	3/4-16	M16x1,5	38	17	11.5	22	0,058
1910-18-08	315	12	1/2"	3/4-16	M18x1,5	39.5	17	12.5	24	0,075
1910-18-10	315	14-16	5/8"	7/8-14	M18x1,5	42	19	12.5	24	0,075
1910-22-10	315	14-16	5/8"	7/8-14	M22x1,5	43	19	13	27	0,1
1910-22-12	315	18-20	3/4"	1 1/16-12	M22x1,5	48	22	13	27	0,105
1910-27-12	200	18-20	3/4"	1 1/16-12	M27x2	49	22	16	32	0,16
1910-27-16	200	25	1"	1 5/16-12	M27x2	50.5	23	16	36	0,21
1910-33-16	200	25	1"	1 5/16-12	M33x2	51	23	16	41	0,275
1910-42-20	200	30-32	1.1/4"	1 5/8-12	M42x2	54.5	24	16	50	0,435
1910-48-24	200	38	1.1/2"	1 7/8-12	M48x2	59	27.5	17.5	55	0,57

5440



45° Adjustable stud elbow JIC-METRIC (ISO 6149)

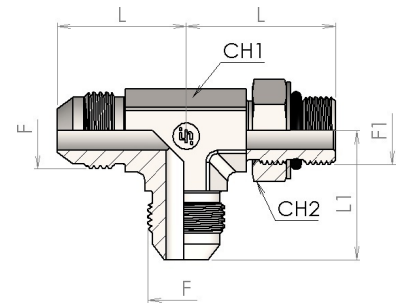
SDE45

Product number	W.P. bar	Ø tube		Thread		Dimension				Weight kg/unit
		mm	inch	F	F1	L	L1	CH1	CH2	
5440-10-04	315	6	1/4"	7/16-20	M10x1	27	21	12	14	0,017
5440-12-04	315	6	1/4"	7/16-20	M12x1.5	30	21.5	14	17	0,025
5440-14-06	315	10	3/8"	9/16-18	M14x1.5	32	21.5	14	19	0,031
5440-16-06	250	10	3/8"	9/16-18	M16x1.5	34	23.5	19	22	0,058
5440-16-08	250	12	1/2"	3/4-16	M16x1.5	34	26	19	22	0,065
5440-18-08	250	12	1/2"	3/4-16	M18x1.5	36	26	19	24	0,066
5440-22-10	250	16	5/8"	7/8-14	M22x1.5	38	29	22	27	0,099
5440-27-12	160	20	3/4"	1.1/16-12	M27x2	45	33	27	32	0,173
5440-33-16	160	25	1"	1.5/16-12	M33x2	48	37.5	33	41	0,287
5440-42-20	160	30	1.1/4"	1.5/8-12	M42x2	48.5	40.5	41	50	0,482

5450

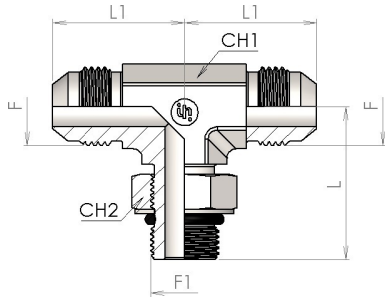
Adjustable stud Run Tee JIC-METRIC (ISO 6149)

SDRT



Product number	W.P. bar	Ø tube		Thread		Dimension				Weight kg/unit
		mm	inch	F	F1	L	L1	CH1	CH2	
5450-10-04	315	6	1/4"	7/16-20	M10x1	29	22	12	14	0,027
5450-12-04	315	6	1/4"	7/16-20	M12x1.5	33	23	14	17	0,041
5450-14-06	315	10	3/8"	9/16-18	M14x1.5	34	27	14	19	0,053
5450-16-06	250	10	3/8"	9/16-18	M16x1.5	38	29.5	19	22	0,092
5450-16-08	250	12	1/2"	3/4-16	M16x1.5	38	32	19	22	0,095
5450-18-08	250	12	1/2"	3/4-16	M18x1.5	41	32	19	24	0,114
5450-22-10	250	16	5/8"	7/8-14	M22x1.5	43	36	22	27	0,175
5450-27-12	160	20	3/4"	1.1/16-12	M27x2	52	42	27	32	0,304
5450-33-16	160	25	1"	1.5/16-12	M33x2	54	46	33	41	0,491
5450-42-20	160	30	1.1/4"	1.5/8-12	M42x2	60	52	41	50	0,772
5450-48-24	160	38	1.1/2"	1.7/8-12	M48x2	67	59	50	55	1,069

5455



Adjustable stud Branch Tee JIC-METRIC (ISO 6149)

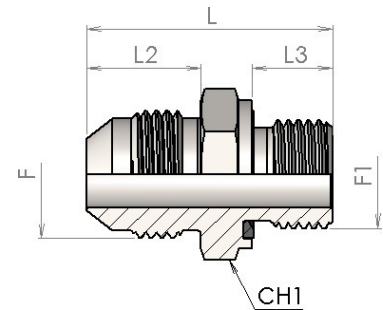
SDBT

Product number	W.P.	Ø tube		Thread		Dimension				Weight
	bar	mm	inch	F	F1	L	L1	CH1	CH2	kg/unit
5455-10-04	315	6	1/4"	7/16-20	M10x1	29	22	12	14	0,027
5455-12-04	315	6	1/4"	7/16-20	M12x1.5	33	23	14	17	0,041
5455-14-06	315	10	3/8"	9/16-18	M14x1.5	34	27	14	19	0,053
5455-16-06	250	10	3/8"	9/16-18	M16x1.5	38	29.5	19	22	0,092
5455-16-08	250	12	1/2"	3/4-16	M16x1.5	38	32	19	22	0,095
5455-18-08	250	12	1/2"	3/4-16	M18x1.5	41	32	19	24	0,114
5455-22-10	250	16	5/8"	7/8-14	M22x1.5	43	36	22	27	0,175
5455-27-12	160	20	3/4"	1.1/16-12	M27x2	52	42	27	32	0,304
5455-33-16	160	25	1"	1.5/16-12	M33x2	54	46	33	41	0,491
5455-42-20	160	30	1.1/4"	1.5/8-12	M42x2	60	52	41	50	0,772
5455-48-24	160	38	1.1/2"	1.7/8-12	M48x2	67	59	50	55	1,069

1775

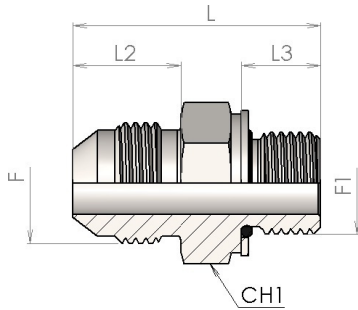
Male stud connector JIC-METRIC (Form E ISO 9974-2)

SDS



Product number	W.P.	Ø tube		Thread		Dimension				Weight kg/unit
	bar	mm	inch	F	F1	L	L2	L3	CH1	
1775-10-04	630	6	1/4"	7/16-20	M10x1	30	14	8	14	0,02
1775-10-05	630	8	5/16"	1/2-20	M10x1	30	14	8	14	0,017
1775-12-04	630	6	1/4"	7/16-20	M12x1,5	34	14	12	17	0,03
1775-12-05	630	8	5/16"	1/2-20	M12x1,5	34	14	12	17	0,028
1775-14-06	630	10	3/8"	9/16-18	M14x1,5	34	14	12	19	0,037
1775-16-06	630	10	3/8"	9/16-18	M16x1,5	36	14	12	22	0,05
1775-16-08	630	12	1/2"	3/4-16	M16x1,5	39	17	12	22	0,055
1775-18-08	630	12	1/2"	3/4-16	M18x1,5	39	17	12	24	0,07
1775-18-10	630	14-16	5/8"	7/8-14	M18x1,5	42	19	12	24	0,105
1775-22-10	400	14-16	5/8"	7/8-14	M22x1,5	45	19	14	27	0,16
1775-22-12	400	18-20	3/4"	11/16-12	M22x1,5	48	22	14	27	0,27
1775-27-12	400	18-20	3/4"	11/16-12	M27x2	51	22	16	32	0,43
1775-27-16	400	25	1"	15/16-12	M27x2	53	23	16	36	0,36
1775-33-16	400	25	1"	15/16-12	M33x2	55	23	18	41	0,43
1775-42-20	250	30-32	1 1/4"	1 5/8-12	M42x2	60	24	20	50	0,435
1775-48-24	250	38	1 1/2"	1 7/8-12	M48x2	67	27,5	22	55	0,58

1777



Male stud connector JIC-METRIC with O-ring and retaining ring

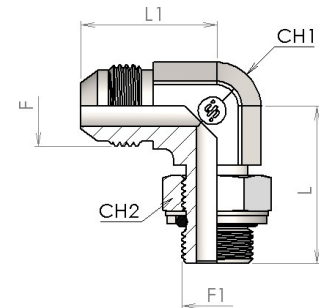
SDS

Product number	W.P. bar	Ø tube		Thread		Dimension				Weight kg/unit
		mm	inch	F	F1	L	L2	L3	CH1	
1777-10-04	315	6	1/4"	7/16-20	M10x1	30	14	9	14	0,025
1777-10-05	315	8	5/16"	1/2-20	M10x1	30	14	9	14	0,025
1777-12-04	315	6	1/4"	7/16-20	M12x1,5	32.5	14	11.5	17	0,035
1777-12-05	315	8	5/16"	1/2-20	M12x1,5	32.5	14	11.5	17	0,035
1777-14-06	315	10	3/8"	9/16-18	M14x1,5	33.5	14	11.5	19	0,035
1777-16-06	315	10	3/8"	9/16-18	M16x1,5	34.5	14	12.5	22	0,05
1777-16-08	315	12	1/2"	3/4-16	M16x1,5	37.5	17	12.5	22	0,055
1777-18-08	315	12	1/2"	3/4-16	M18x1,5	39.5	17	13.5	24	0,065
1777-18-10	315	14-16	5/8"	7/8-14	M18x1,5	42	19	13.5	24	0,07
1777-22-10	300	14-16	5/8"	7/8-14	M22x1,5	44.5	19	15	27	0,09
1777-22-12	300	18-20	3/4"	1 1/16-12	M22x1,5	48	22	15	27	0,1
1777-27-12	250	18-20	3/4"	1 1/16-12	M27x2	52.5	22	18.5	32	0,155
1777-27-16	250	25	1"	1 5/16-12	M27x2	53.5	23	18.5	36	0,2
1777-33-16	250	25	1"	1 5/16-12	M33x2	54	23	18.5	41	0,265
1777-42-20	160	30-32	1.1/4"	1 5/8-12	M42x2	58	24	19.5	50	0,425
1777-48-24	160	38	1.1/2"	1 7/8-12	M48x2	65	27.5	21.5	55	0,545

5400

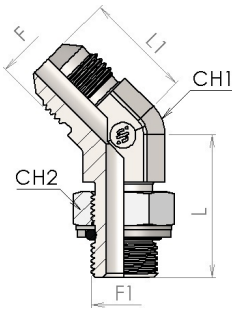
90° Adjustable stud elbow JIC-METRIC with O-ring and retaining ring

SDE



Product number	Ø tube		Dimension									W.P.	Thread		Weight	
	mm	inch	F	T	B	C	H	E	bar	F	F1		L	L1		CH1
5400-10-04	6	1/4"	7/16-20	M10x1	23	27	12	14	315	7/16-20	M10x1	29	22	12	14	0,023
5400-10-05	8	5/16"	1/2-20	M10x1	24	27	14	14	315	1/2-20	M10x1	31	24	14	14	0,029
5400-12-04	6	1/4"	7/16-20	M12x1,5	27	32	14	17	315	7/16-20	M12x1,5	33	23	14	17	0,028
5400-12-05	8	5/16"	1/2-20	M12x1,5	27	32	14	17	315	1/2-20	M12x1,5	33	24	14	17	0,029
5400-14-04	6	1/4"							315	7/16-20	M14x1,5	34	23	14	19	0,025
5400-14-05	8	5/16"							315	1/2-20	M14x1,5	34	24	14	19	0,03
5400-14-06	10	3/8"	9/16-18	M14x1,5	27	32	14	19	315	9/16-18	M14x1,5	34	27	14	19	0,036
5400-16-06	10	3/8"	9/16-18	M16x1,5	29	38	19	22	250	9/16-18	M16x1,5	38	29,5	19	22	0,074
5400-16-08	12	1/2"	3/4-16	M16x1,5	32	38	19	22	250	3/4-16	M16x1,5	38	32	19	22	0,077
5400-18-08	12	1/2"	3/4-16	M18x1,5	32	40	19	24	250	3/4-16	M18x1,5	41	32	19	24	0,078
5400-18-10	16	5/8"	7/8-14	M18x1,5	37	41	22	24	250	7/8-14	M18x1,5	42	36	22	24	0,104
5400-22-10	16	5/8"	7/8-14	M22x1,5	37	43	22	27	250	7/8-14	M22x1,5	43	36	22	27	0,119
5400-22-12	20	3/4"	1.1/16-12	M22x1,5	42	45	27	27	250	1.1/16-12	M22x1,5	47,5	42	27	27	0,198
5400-27-12	20	3/4"	1.1/16-12	M27x2	42	52	27	36	160	1.1/16-12	M27x2	52	42	27	32	0,208
5400-27-16	25	1"	1.5/16-12	M27x2	46	52	33	36	160	1.5/16-12	M27x2	53	46	33	32	0,333
5400-33-12	20	3/4"							160	1.1/16-12	M33x2	54	44	33	41	0,317
5400-33-16	25	1"	1.5/16-12	M33x2	46	53	33	41	160	1.5/16-12	M33x2	54	46	33	41	0,333
5400-42-12	20	3/4"							160	1.1/16-12	M42x2	60	48	41	50	0,517
5400-42-16	25	1"							160	1.5/16-12	M42x2	60	46	41	50	0,546
5400-42-20	30	1.1/4"	1.5/8-12	M42x2	52	58	41	50	160	1.5/8-12	M42x2	60	52	41	50	0,575
5400-48-20	30	1.1/4"							160	1.5/8-12	M48x2	67	55,5	50	55	0,725
5400-48-24	38	1.1/2"	1.7/8-12	M48x2	59	67	48	60	160	1.7/8-12	M48x2	67	59	50	55	0,872

5410



45° Adjustable stud elbow JIC-Metric with O'ring and retaining ring

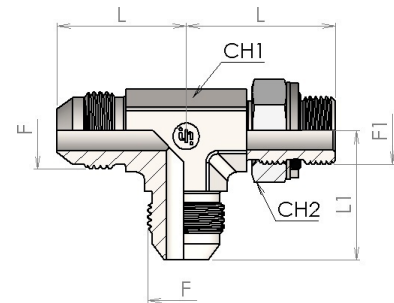
SDE45

Product number	Ø tube		Dimension										W.P.		Thread		Weight
	mm	inch	F	T	B	C	H	E	bar	F	F1	L	L1	CH1	CH2	kg/unit	
5410-10-04	6	1/4"	7/16-20	M10x1	19	27	12	14	315	7/16-20	M10x1	27	21	12	14	0,023	
5410-10-05	8	5/16"	1/2-20	M10x1	20	27	14	14	315	1/2-20	M10x1	28.5	21.5	14	14	0,031	
5410-12-04	6	1/4"	7/16-20	M12x1,5	21	29	14	17	315	7/16-20	M12x1,5	30	21.5	14	17	0,025	
5410-12-05	8	5/16"	1/2-20	M12x1,5	21	29	14	19	315	1/2-20	M12x1,5	30	21.5	14	17	0,028	
5410-14-05	8	5/16"							315	1/2-20	M14x1,5	32	21.5	14	19	0,031	
5410-14-06	10	3/8"	9/16-18	M14x1,5	21	29	14	17	315	9/16-18	M14x1,5	32	21.5	14	19	0,036	
5410-16-06	10	3/8"	9/16-18	M16x1,5	22	33	19	22	250	9/16-18	M16x1,5	34	23.5	19	22	0,058	
5410-16-08	12	1/2"	3/4-16	M16x1,5	25	33	19	22	250	3/4-16	M16x1,5	34	26	19	22	0,068	
5410-18-08	12	1/2"	3/4-16	M18x1,5	25	33	19	24	250	3/4-16	M18x1,5	36	26	19	24	0,078	
5410-18-10	16	5/8"	7/8-14	M18x1,5	28	35	22	24	250	7/8-14	M18x1,5	37	29	22	24	0,099	
5410-22-10	16	5/8"	7/8-14	M22x1,5	28	38	22	27	250	7/8-14	M22x1,5	38	29	22	27	0,119	
5410-22-12	20	3/4"	1.1/16-12	M22x1,5	33	41	27	27	250	1.1/16-12	M22x1,5	41.5	33	27	27	0,164	
5410-27-12	20	3/4"	1.1/16-12	M27x2	33	44	27	36	160	1.1/16-12	M27x2	45	33	27	32	0,208	
5410-27-16	25	1"	1.5/16-12	M27x2	37	46	33	36	160	1.5/16-12	M27x2	46.5	37.5	33	32	0,272	
5410-33-16	25	1"	1.5/16-12	M33x2	37	47	33	41	160	1.5/16-12	M33x2	48	37.5	33	41	0,287	
5410-42-20	30	1.1/4"	1.5/8-12	M42x2	41	49	41	50	160	1.5/8-12	M42x2	48,5	40,5	41	50	0,575	

5420

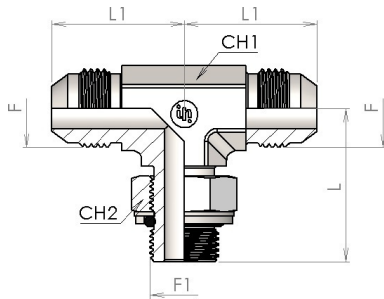
Adjustable stud Run Tee JIC-METRIC with O-ring and retaining ring

SDRT



Product number	Ø tube		Dimension									W.P.	Thread		Weight	
	mm	inch	F	T	B	C	H	E	bar	F	F1		L	L1		CH1
5420-10-04	6	1/4"	7/16-20	M10x1	23	27	12	14	315	7/16-20	M10x1	29	22	12	14	0,027
5420-10-05	8	5/16"	1/2-20	M10x1	24	27	14	14	315	1/2-20	M10x1	31	24	14	14	0,033
5420-12-04	6	1/4"	7/16-20	M12x1,5	27	32	14	17	315	7/16-20	M12x1,5	33	23	14	17	0,041
5420-12-05	8	5/16"	1/2-20	M12x1,5	27	32	14	19	315	1/2-20	M12x1,5	33	24	14	17	0,042
5420-14-05	8	5/16"							315	1/2-20	M14x1,5	34	24	14	19	0,050
5420-14-06	10	3/8"	9/16-18	M14x1,5	27	32	14	17	315	9/16-18	M14x1,5	34	27	14	19	0,053
5420-16-06	10	3/8"	9/16-18	M16x1,5	29	38	19	22	250	9/16-18	M16x1,5	38	29,5	19	22	0,092
5420-16-08	12	1/2"	3/4-16	M16x1,5	32	38	19	22	250	3/4-16	M16x1,5	38	32	19	22	0,113
5420-18-08	12	1/2"	3/4-16	M18x1,5	32	40	19	24	250	3/4-16	M18x1,5	41	32	19	24	0,114
5420-18-10	16	5/8"	7/8-14	M18x1,5	37	41	22	24	250	7/8-14	M18x1,5	42	36	22	24	0,174
5420-22-10	16	5/8"	7/8-14	M22x1,5	37	43	22	27	250	7/8-14	M22x1,5	43	36	22	27	0,175
5420-22-12	20	3/4"	1.1/16-12	M22x1,5	42	45	27	27	250	1.1/16-12	M22x1,5	47,5	42	27	27	0,295
5420-27-12	20	3/4"	1.1/16-12	M27x2	42	52	27	36	160	1.1/16-12	M27x2	52	42	27	32	0,304
5420-27-16	25	1"	1.5/16-12	M27x2	46	52	33	36	160	1.5/16-12	M27x2	53	46	33	32	0,490
5420-33-16	25	1"	1.5/16-12	M33x2	46	53	33	41	160	1.5/16-12	M33x2	54	46	33	41	0,530
5420-42-20	30	1.1/4"	1.5/8-12	M42x2	52	58	41	50	160	1.5/8-12	M42x2	60	52	41	50	0,772
5420-48-24	38	1.1/2"	1.7/8-12	M48x2	59	67	48	60	160	1.7/8-12	M48x2	67	59	50	55	1,069

5425



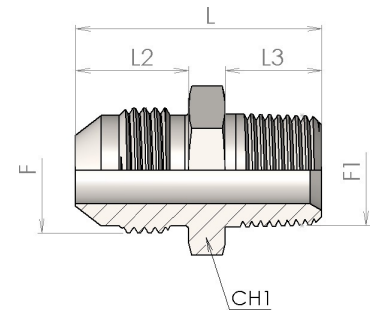
Adjustable stud Branch Tee JIC-METRIC with O-ring and retaining ring

SDBT

Product number	Ø tube		Dimension										W.P.	Thread		Weight kg/unit
	mm	inch	F	T	B	C	H	E	bar	F	F1	L		L1	CH1	
5425-10-04	6	1/4"	7/16-20	M10x1	23	27	12	14	315	7/16-20	M10x1	29	22	12	14	0,027
5425-10-05	8	5/16"	1/2-20	M10x1	24	27	14	14	315	1/2-20	M10x1	31	24	14	14	0,033
5425-12-04	6	1/4"	7/16-20	M12x1,5	27	32	14	17	315	7/16-20	M12x1,5	33	23	14	17	0,041
5425-12-05	8	5/16"	1/2-20	M12x1,5	27	32	14	19	315	1/2-20	M12x1,5	33	24	14	17	0,042
5425-14-05	8	5/16"							315	1/2-20	M14x1,5	34	24	14	19	0,050
5425-14-06	10	3/8"	9/16-18	M14x1,5	27	32	14	17	315	9/16-18	M14x1,5	34	27	14	19	0,053
5425-16-06	10	3/8"	9/16-18	M16x1,5	29	38	19	22	250	9/16-18	M16x1,5	38	29,5	19	22	0,092
5425-16-08	12	1/2"	3/4-16	M16x1,5	32	38	19	22	250	3/4-16	M16x1,5	38	32	19	22	0,095
5425-18-08	12	1/2"	3/4-16	M18x1,5	32	40	19	24	250	3/4-16	M18x1,5	41	32	19	24	0,114
5425-18-10	16	5/8"	7/8-14	M18x1,5	37	41	22	24	250	7/8-14	M18x1,5	42	36	22	24	0,174
5425-22-10	16	5/8"	7/8-14	M22x1,5	37	43	22	27	250	7/8-14	M22x1,5	43	36	22	27	0,175
5425-22-12	20	3/4"	1.1/16-12	M22x1,5	42	45	27	27	250	1.1/16-12	M22x1,5	47,5	42	27	27	0,295
5425-27-12	20	3/4"	1.1/16-12	M27x2	42	52	27	36	160	1.1/16-12	M27x2	52	42	27	32	0,304
5425-27-16	25	1"	1.5/16-12	M27x2	46	52	33	36	160	1.5/16-12	M27x2	53	46	33	32	0,490
5425-33-16	25	1"	1.5/16-12	M33x2	46	53	33	41	160	1.5/16-12	M33x2	54	46	33	41	0,530
5425-42-20	30	1.1/4"	1.5/8-12	M42x2	52	58	41	50	160	1.5/8-12	M42x2	60	52	41	50	0,772
5425-48-24	38	1.1/2"	1.7/8-12	M48x2	59	67	48	60	160	1.7/8-12	M48x2	67	59	50	55	1,069

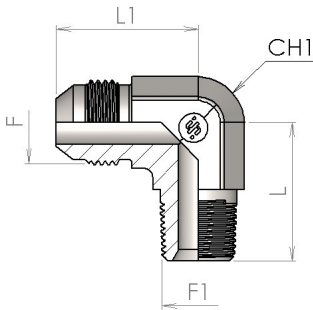
1903

Male Connector Jic/BSPT



Product number	Ø tube		Dimension									W.P.	Thread			Weight kg/unit
	mm	inch	F	T	C	L	B	E	bar	F	F1		L2	L3	CH1	
1903-02-04	6	1/4"	7/16" - 20	1/8"	14	30	8	12	350	7/16-20	1/8-28 BSPT	14	10	12	0,014	
1903-02-05	8	5/16"				31			350	1/2-20	1/8-28 BSPT	14	10	14	0,017	
1903-04-04	6	1/4"	7/16" - 20	1/4"	14	36	12	14	350	7/16-20	1/4-19 BSPT	14	14.5	14	0,025	
1903-04-05	8	5/16"	1/2" - 20	1/4"	14	36	12	14	350	1/2-20	1/4-19 BSPT	14	14.5	14	0,025	
1903-04-06	10	3/8"	9/16" - 18	1/4"	14	36	12	17	350	9/16-18	1/4-19 BSPT	14	14.5	17	0,030	
1903-06-06	10	3/8"	9/16" - 18	3/8"	14	36	12	19	350	9/16-18	3/8-19 BSPT	14	14.5	19	0,027	
1903-06-08	12	1/2"	3/4" - 16	3/8"	17	37.5	12	19	310	3/4-16	3/8-19 BSPT	17	14.5	22	0,045	
1903-06-10	14-16	5/8"	7/8" - 14	3/8"	19.5	43	12	24	240	7/8-14	3/8-19 BSPT	19	14.5	24	0,063	
1903-08-08	12	1/2"	3/4" - 16	1/2"	17	43.5	14	22	310	3/4-16	1/2-14 BSPT	17	19	22	0,074	
1903-08-10	14-16	5/8"	7/8" - 14	1/2"	19.5	48	14	24	240	7/8-14	1/2-14 BSPT	19	19	24	0,077	
1903-08-12	20	3/4"	1.1/16" - 12	1/2"	22	49	14	27	240	1.1/16-12	1/2-14 BSPT	22	19	30	0,100	
1903-12-10	14-16	5/8"				49.5			240	7/8-14	3/4-14 BSPT	19	19	27	0,120	
1903-12-12	20	3/4"	1.1/16" - 12	3/4"	22	52.5	16	37	240	1.1/16-12	3/4-14 BSPT	22	19	30	0,120	
1903-12-16	25	1"	1.5/16" - 12	3/4"	23	53	16	36	210	1.5/16-12	3/4-14 BSPT	23	19	36	0,150	
1903-16-12	20	3/4"	1.1/16" - 12	1"	22	56	18	36	240	1.1/16-12	1-11 BSPT	22	24	36	0,175	
1903-16-16	25	1"	1.5/16" - 12	1"	23	58.5	18	36	210	1.5/16-12	1-11 BSPT	23	24	36	0,190	
1903-20-20	32	1.1/4"	1.5/8" - 12	1.1/4"	24.3	60.5	20	46	170	1.5/8-12	1.1/4-11 BSPT	24	24.5	46	0,315	
1903-24-24	38	1.1/2"	1.7/8" - 12	1.1/2"	27.5	66	22	50	140	1.7/8-12	1.1/2-11 BSPT	27.5	25.5	50	0,430	

5165



90° Male stud elbows JIC-BSPT

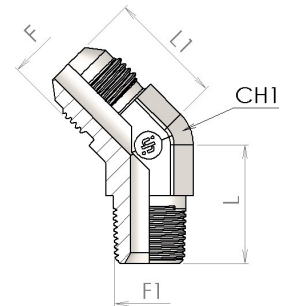
SDE

Product number	Ø tube		Dimensions			Dimension					W.P.	Thread		Weight kg/unit
	mm	inch	F	T	L	C	E	bar	F	F1		L	L1	
5165-02-04	6	1/4"	345	7/16-20	1/8-28 BSPT	23	24	14	0,02					
5165-02-05	8	5/16"	345	1/2-20	1/8-28 BSPT	23.5	24	14	0,029					
5165-04-04	6	1/4"	7/16"-20	1/4-19	28	27	14	310	7/16-20	1/4-19 BSPT	27.5	23	14	0,042
5165-04-05	8	5/16"						310	1/2-20	1/4-19 BSPT	27.5	24	14	0,042
5165-04-06	10	3/8"	9/16"-18	1/4-19	28	27	14	310	9/16-18	1/4-19 BSPT	27.5	27	14	0,045
5165-06-06	10	3/8"	9/16"-18	3/8-19	31	29	19	310	9/16-18	3/8-19 BSPT	32	29	19	0,076
5165-06-08	12	1/2"	3/4"-16	3/8-19	31	32	19	310	3/4-16	3/8-19 BSPT	32	31	19	0,086
5165-08-06	10	3/8"						240	9/16-18	1/2-14 BSPT	36	31.5	22	0,117
5165-08-08	12	1/2"	3/4"-16	1/2-14	37	34	22	240	3/4-16	1/2-14 BSPT	36	33.5	22	0,125
5165-08-10	14-16	5/8"						240	7/8-14	1/2-14 BSPT	36	36	22	0,129
5165-12-12	18-20	3/4"						240	1.1/16-12	3/4-14 BSPT	42.5	42	27	0,198
5165-16-16	25	1"	1.5/16"-12	1-11	50	46	33	240	1.5/16-12	1-11 BSPT	50	46	33	0,328

5265

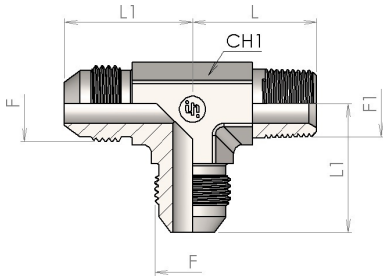
45° Male stud elbows JIC-BSPT

SDE45



Product number	Ø tube		Dimension							W.P.	Thread		Weight
	mm	inch	F	T	L	C	E	bar	F	F1	L1	CH1	kg/unit
5265-02-04	6	1/4"	7/16-20	1/8-28	16.5	19	12	345	7/16-20	1/8-28 BSPT	18.5	12	0,02
5265-02-05	8	5/16"	1/2-20	1/8-28	16.5	20	14	345	1/2-20	1/8-28 BSPT	19.5	14	0,025
5265-04-04	6	1/4"	7/16-20	1/4-19	22	21	14	310	7/16-20	1/4-19 BSPT	21	14	0,03
5265-04-05	8	5/16"	1/2-20	1/4-19	22	21	14	310	1/2-20	1/4-19 BSPT	21	14	0,03
5265-04-06	10	3/8"	9/16-18	1/4-19	22	21	14	310	9/16-18	1/4-19 BSPT	21	14	0,027
5265-06-06	10	3/8"	9/16-18	3/8-19	24	22	14	310	9/16-18	3/8-19 BSPT	22	19	0,052
5265-06-08	12	1/2"	3/4-16	3/8-19	24	25	19	310	3/4-16	3/8-19 BSPT	25	19	0,06
5265-08-08	12	1/2"	3/4-16	1/2-14	29.5	25	22	240	3/4-16	1/2-14 BSPT	25	22	0,092
5265-08-10	14-16	5/8"	7/8-14	1/2-14	29.5	28	22	240	7/8-14	1/2-14 BSPT	28	22	0,092
5265-12-12	18-20	3/4"	1.1/16-12	3/4-11	30.5	33	27	240	1.1/16-12	3/4-14 BSPT	32.5	27	0,15
5265-16-16	25	1"	1.5/16-12	1-11	37.5	37	33	240	1.5/16-12	1-11 BSPT	37	33	0,24

5275



BSPT Run Tee

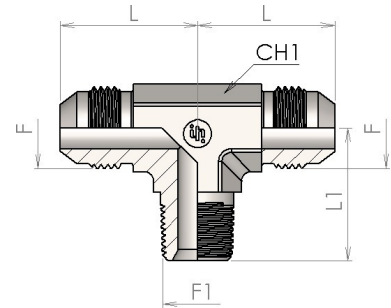
SDRT

Product number	Ø tube		Dimension								Thread		Weight
	mm	inch	F	T	B	C	E	F	F1	L	L1	CH1	kg/unit
5275-02-04	6	1/4"	7/16-20	1/8	23	20	12	7/16-20	1/8-28 BSPT	19.5	22	12	0,03
5275-02-05	8	5/16"	1/2-20	1/8	24	20	14	1/2-20	1/8-28 BSPT	23.5	24	14	0,039
5275-04-04	6	1/4"	7/16-20	1/4	27	28	14	7/16-20	1/4-19 BSPT	27.5	23	14	0,052
5275-04-05	8	5/16"	1/2-20	1/4	27	28	14	1/2-20	1/4-19 BSPT	27.5	24	14	0,053
5275-04-06	10	3/8"	9/16-18	1/4	27	28	14	9/16-18	1/4-19 BSPT	27.5	27	14	0,055
5275-04-08	12	1/2"	3/4-16	1/4	32	31	19	3/4-16	1/4-19 BSPT	29.5	31	19	0,066
5275-06-06	10	3/8"	9/16-18	3/8	29	31	14	9/16-18	3/8-19 BSPT	32	29	19	0,077
5275-06-08	12	1/2"	3/4-16	3/8	32	31	19	3/4-16	3/8-19 BSPT	32	31	19	0,111
5275-06-10	14-16	5/8"	7/8-14	3/8	37	33	22	7/8-14	3/8-19 BSPT	34	36	22	0,138
5275-08-08	12	1/2"	3/4-16	1/2	34	38	22	3/4-16	1/2-14 BSPT	36	33.5	22	0.163
5275-08-10	14-16	5/8"	7/8-14	1/2	37	38	22	7/8-14	1/2-14 BSPT	36	36	22	0,169
5275-08-12	18-20	3/4"	1.1/16-12	1/2	42	41	27	1.1/16-12	1/2-14 BSPT	39	42	27	0,211
5275-12-10	14-16	5/8"	7/8-14	3/4	40	41	27	7/8-14	3/4-14 BSPT	42.5	39	27	0,245
5275-12-12	18-20	3/4"	1.1/16-12	3/4	42	41	27	1.1/16-12	3/4-14 BSPT	42.5	42	27	0,267
5275-12-16	25	1"	1.5/16-12	3/4	46	45	33	1.5/16-12	3/4-14 BSPT	46	46	33	0,311
5275-16-12	18-20	3/4"	1.1/16-12	1	45	50	33	1.1/16-12	1-11 BSPT	50	44	33	0,36
5275-16-16	25	1"	1.5/16-12	1	46	50	33	1.5/16-12	1-11 BSPT	50	46	33	0,407
5275-16-20	30-32	1.1/4"	1.5/8-12	1	52	60	41	1.5/8-12	1-11 BSPT	55	52	41	0,522
5275-20-20	30-32	1.1/4"	1.5/8-12	1.1/4	52	61	41	1.5/8-12	1.1/4-11 BSPT	60.5	52	41	0,681
5275-24-24	38	1.1/2"	1.7/8-12	1.1/2	59	67	48	1.7/8-12	1.1/2-11 BSPT	67	59	50	0,905

5280

BSPT Branch Tee

SDBT

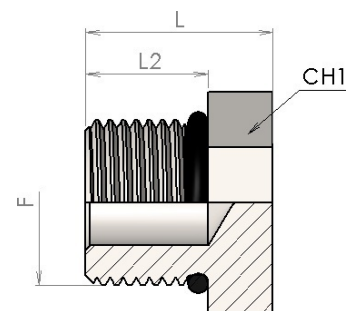


Product number	Ø tube		Dimension							Thread			Weight kg/unit
	mm	inch	F	T	B	C	E	F	F1	L	L1	CH1	
5280-02-04	6	1/4"	7/16-20	1/8	23	20	12	7/16-20	1/8-28 BSPT	19.5	22	12	0,03
5280-02-05	8	5/16"	1/2-20	1/8	24	20	14	1/2-20	1/8-28 BSPT	23.5	24	14	0,039
5280-04-04	6	1/4"	7/16-20	1/4	27	28	14	7/16-20	1/4-19 BSPT	27.5	23	14	0,052
5280-04-06	10	3/8"	9/16-18	1/4	27	28	14	9/16-18	1/4-19 BSPT	27.5	27	14	0,055
5280-06-06	10	3/8"	9/16-18	3/8	29	31	14	9/16-18	3/8-19 BSPT	32	29	19	0,077
5280-06-08	12	1/2"	3/4-16	3/8	32	31	19	3/4-16	3/8-19 BSPT	32	31	19	0,111
5280-08-08	12	1/2"	3/4-16	1/2	34	38	22	3/4-16	1/2-14 BSPT	36	33.5	22	0,163
5280-08-10	14-16	5/8"	7/8-14	1/2	37	38	22	7/8-14	1/2-14 BSPT	36	36	22	0,169
5280-12-12	18-20	3/4"	1.1/16-12	3/4	42	41	27	1.1/16-12	3/4-14 BSPT	42.5	42	27	0,267
5280-16-16	25	1"	1.5/16-12	1	46	50	33	1.5/16-12	1-11 BSPT	50	46	33	0,407

5040

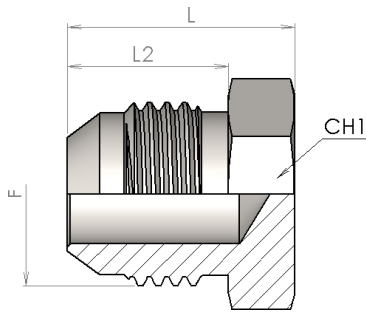
UNF male plug (ISO 11926-1)

PL



Product number	Dimension					Thread		Weight kg/unit
	F	L	E	F	L2	CH1		
5040-04	7/16" - 20	17	14	7/16-20	9	14	0,013	
5040-05	1/2" - 20	17	14	1/2-20	9	17	0,019	
5040-06	9/16" - 18	18.5	17	9/16-18	10	17	0,022	
5040-08	3/4" - 16	20.5	22	3/4-16	11	22	0,044	
5040-10	7/8" - 14	23.5	27	7/8-14	13	27	0,053	
5040-12	1.1/16" - 12	28	32	1.1/16-12	15	32	0,117	
5040-16	1.5/16" - 12	28.5	38	1.5/16-12	15	38	0,141	

J605



JIC Male plug (ISO 8434-2)

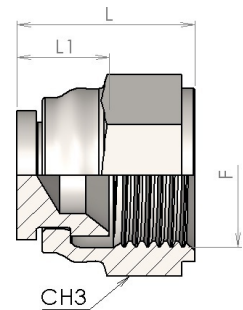
PL

Product number	Ø tube		Dimension					W.P.	Thread	Weight
	mm	inch	F	L	E	bar	F	L2	CH1	kg/unit
J605-04	6	1/4"	7/16" - 20	20.5	12	350	7/16-20	14	12	0,01
J605-05	8	5/16"	1/2" - 20	20.5	14	350	1/2-20	14	14	0,014
J605-06	10	3/8"	9/16" - 18	21.5	15	350	9/16-18	14	17	0,02
J605-08	12	1/2"	3/4" - 16	24	19	310	3/4-16	17	22	0,04
J605-10	14-16	5/8"	7/8" - 14	28	24	240	7/8-14	19	24	0,06
J605-12	18-20	3/4"	1.1/16" - 12	32.5	27	240	1.1/16-12	22	30	0,095
J605-16	25	1"	1.5/16" - 12	34	36	210	1.5/16-12	23	36	0,1
J605-20	30-32	1.1/4"	1.5/8" - 12	37	46	170	1.5/8-12	24	46	0,27
J605-24	38	1.1/2"	1.7/8" - 12	42	50	170	1.7/8-12	27.5	50	0,36
J605-32	50	2"		55		100	2.1/2-12	34	65	0,47

J608

JIC Female swivel plug (ISO 8434-2)

PL

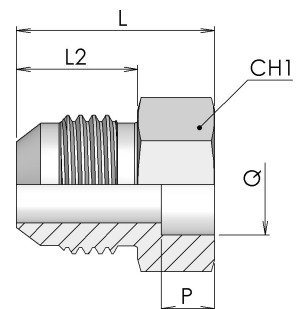


Product number	Ø tube		Dimension					Thread	Weight
	mm	inch	F	L	H	F	L1	CH3	kg/unit
J608-04	6	1/4"	7/16" - 20	18.5	14	7/16-20	9.5	14	0,014
J608-05	8	5/16"	1/2" - 20	19.5	17	1/2-20	10	17	0,019
J608-06	10	3/8"	9/16" - 18	20.5	19	9/16-18	11.5	19	0,031
J608-08	12	1/2"	3/4" - 16	24	24	3/4-16	13.5	22	0,045
J608-10	16	5/8"	7/8" - 14	27.5	27	7/8-14	14,5	27	0,075
J608-12	20	3/4"	1.1/16" - 12	29.5	32	1.1/16-12	16	32	0,114
J608-16	32	1.1/4"	1.5/16" - 12	33	41	1.5/16-12	17	41	0,272
J608-20	38	1.1/2"	1.5/8" - 12	36.5	50	1.5/8-12	20.5	50	0,553
J608-24	50	2"	1.7/8" - 12	42	55	1.7/8-12	23	60	0,93

MJ

JIC braze-on straight connector (ISO 8434-2)

BRS



Product number	Ø tube		Thread	Dimension					Weight
	mm	inch	F	Q	P	L	L2	CH1	kg/unit
MJ-05-10	8	5/16"	1/2-20	10	8.5	26	14	17	0,020
MJ-06-10	10	3/8"	9/16-18	10	8.5	27.5	14	19	0,034
MJ-06-12	10	3/8"	9/16-18	12	8.5	27.5	14	19	0,030
MJ-08-12	12	1/2"	3/4-16	12	8.5	29	17	22	0,047
MJ-10-16	14-16	5/8"	7/8-14	16	9	31.5	19	24	0,058
MJ-12-18	18-20	3/4"	1.1/16-12	18	12.5	40	22	30	0,118
MJ-12-20	18-20	3/4"	1.1/16-12	20	12.5	40	22	30	0,116
MJ-16-25	25	1"	1.5/16-12	25	14	42	23	36	0,161