

# ORFS Adaptors - B





**6010**



ORFS nut (ISO 8434-3)

**66**



**6015**

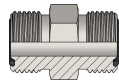


Metric sleeve (ISO 8434-3)

**67**



**6000**



Male union (ISO 8434-3)

**68**

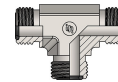
**6300**



90° Union Elbow (ISO 8434-3)

**69**

**6350**



ORFS Union Tee (ISO 8434-3)

**69**

**6550**

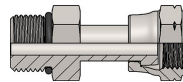


ORFS Union Cross (ISO 8434-3)

**70**



**6120**

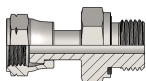


ORFS Swivel female - Male UN/UNF (ISO 11926)

**70**



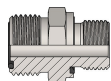
**6036**



ORFS Swivel female - Male BSPP (Form E ISO 1179-2)

**71**

**6805**



Male stud connector ORFS-BSPP (Form E ISO 1179-2)

**72**

**6215**



90° Adjustable stud elbow ORFS-BSP (ISO 1179)

**73**

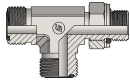
**6260**



45° Adjustable stud elbow ORFS-BSP (ISO 1179)

**74**

**6460**



Adjustable stud Run Tee ORFS-BSP (ISO 1179)

**75**

**6410**



Adjustable stud Branch Tee ORFS-BSP (ISO 1179)

**76**

**6860**



45° Adjustable stud elbow ORFS-METRIC (ISO 6149)

**77**

**6890**

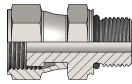


Adjustable stud Branch Tee ORFS-METRIC (ISO 6149)

**77**



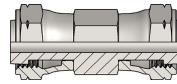
**6850**



ORFS Swivel female - Male Metric (ISO 6149)

**78**

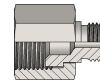
**6060**



ORFS Straight swivel nut union (ISO 8434-3)

**78**

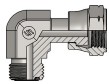
**6056**



ORFS Reducing male-female (ISO 8434-3)

**79**

**6205**



90° Swivel Elbow (ISO 8434-3)

**80**

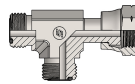
**6255**



45° Swivel Elbow (ISO 8434-3)

**80**

**6620**



Swivel Run Tee (ISO 8434-3)

**81**



**6630**



Swivel Branch Tee (ISO 8434-3)

**81**

**6050**



Bulkhead union (ISO 8434-3)

**82**

**6510**



90° Bulkhead union (ISO 8434-3)

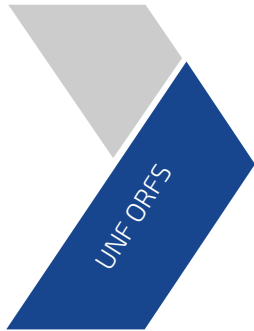
**82**

**0107**

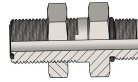


Bulkhead locknut

**83**



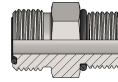
**6150**



Bulkhead unions ORFS/  
UNF (ISO 11926)

**83**

**6100**



Male stud connector  
ORFS-UNF (ISO 11926)

**84**

**6200**



Adjustable stud elbow  
ORFS-UNF (ISO 11926)

**85**

**6250**



Adjustable stud elbow  
ORFS-UNF (ISO 11926)

**86**

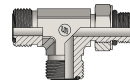
**6400**



Adjustable stud Branch  
Tee ORFS-UNF (ISO  
11926)

**86**

**6450**

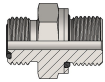


Adjustable stud Run Tee  
ORFS-UNF (ISO 11926)

**87**



**6800**

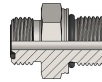


Male stud connector  
ORFS-BSPP (ISO 1179)

**88**



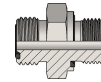
**6840**



Male stud connector  
ORFS-METRIC (ISO 6149)

**89**

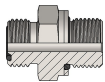
**6905**



Male stud connector  
ORFS-METRIC (Form E  
ISO 9974-2)

**90**

**6900**



Male stud connector  
ORFS-METRIC with O-  
ring and retaining ring

**91**

**6320**



90° Adjustable stud  
elbow ORFS-METRIC  
with O-ring and retaining

**92**

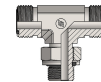
**6270**



45° Adjustable stud  
elbow ORFS-METRIC  
with O-ring and retaining

**93**

**6420**



Adjustable stud Branch  
Tee ORFS-METRIC with  
O-ring and retaining ring

**94**



**6870**

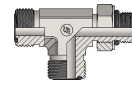


90° Adjustable stud elbow ORFS-METRIC (ISO 6149)

**95**



**6880**

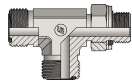


Adjustable stud Run Tee ORFS-METRIC (ISO 6149)

**96**



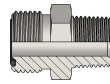
**6470**



Adjustable stud Run Tee ORFS-METRIC with O-ring and retaining ring

**96**

**6830**



Male stud connector ORFS-NPTF

**97**



**6230**



90° Male stud elbows ORFS-NPTF

**98**



**6600**



ORFS Male plug (ISO 8434-3)

**98**

**6610**



ORFS Female plug (ISO 8434-3)

**99**

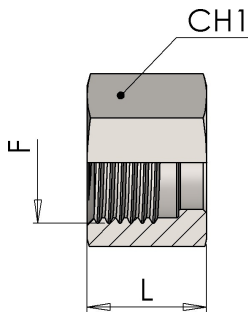
**MO**



ORFS braze-on straight connector (ISO 8434-3)

**100**

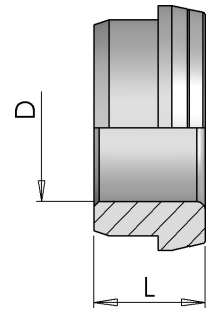
# 6010



## ORFS nut (ISO 8434-3)

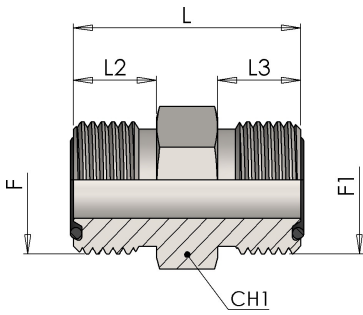
NA

Product number	Ø tube		Thread	Dimension			Weight
	mm	inch	F	L	CH1	kg/unit	
6010-06	6	1/4"	9/16-18	15	17	0,014	
6010-09	8-10	5/16"-3/8"	11/16-16	17	22	0,017	
6010-11	12	1/2"	13/16-16	20	24	0,029	
6010-13	14-16	5/8"	1-14	24	30	0,046	
6010-14	18-20	3/4"	1.3/16-12	26.5	36	0,069	
6010-15	22-25	1"	1.7/16-12	27.5	41	0,109	
6010-21	28-32	1.1/4"	1.11/16-12	27.5	50	0,126	
6010-32	35-38	1.1/2"	2-12	27.5	60	0,195	

**6015****Metric sleeve (ISO 8434-3)****SL**

Product number	Ø tube	Dimension		Weight
	mm	D	L	kg/unit
6015-06	06	06	8.5	0,004
6015-08	08	08	9.5	0,004
6015-10	10	10	9.5	0,005
6015-12	12	12	11.5	0,006
6015-14	14	14	11.5	0,01
6015-15	15	15	11.5	0,009
6015-16	16	16	11.5	0,008
6015-18	18	18	13	0,014
6015-20	20	20	13	0,015
6015-22	22	22	14.5	0,02
6015-25	25	25	14.5	0,023
6015-28	28	28	14	0,024
6015-30	30	30	14	0,025
6015-32	32	32	14	0,026
6015-35	35	35	13.5	0,036
6015-38	38	38	13.5	0,044

# 6000



## Male union (ISO 8434-3)

S

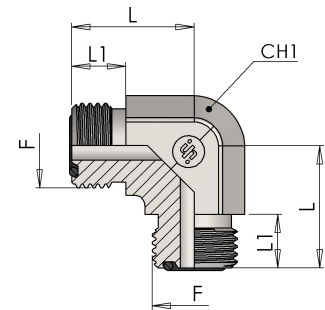
Product number	Ø tube		Thread		Dimension				Weight kg/unit
	mm	inch	F	F1	L	L2	L3	CH1	
6000-06	6	1/4"	9/16-18	9/16-18	27.5	10	10	17	0,028
6000-09	8-10	5/16"-3/8"	11/16-16	11/16-16	31	11	11	19	0,049
6000-11	12	1/2"	13/16-16	13/16-16	35.5	13	13	22	0,077
6000-11-09	8-12	5/16"-1/2"	13/16-16	11/16-16	33.5	13	11	22	0,067
6000-13	14-16	5/8"	1-14	1-14	42.5	15.5	15.5	27	0,129
6000-13-11	12-16	5/8"-1/2"	1-14	13/16-16	40	15.5	13	27	0,112
6000-14	18-20	3/4"	1.3/16-12	1.3/16-12	47	17	17	32	0,204
6000-14-13	14-20	5/8"-3/4"	1.3/16-12	1-14	45.5	17	15.5	32	0,186
6000-15	22-25	1"	1.7/16-12	1.7/16-12	49.5	17.5	17.5	41	0,291
6000-15-14	18-25	3/4"-1"	1.7/16-12	1.3/16-12	49	17.5	17	41	0,285
6000-21	28-32	1.1/4"	1.11/16-12	1.11/16-12	51.5	17.5	17.5	46	0,299
6000-21-15	25-32	1.1/4"	1.11/16-12	1.7/16-12	51.5	17.5	17.5	46	0,28
6000-32	35-38	1.1/2"	2-12	2-12	53	17.5	17.5	55	0,552



## 6300

## 90° Union Elbow (ISO 8434-3)

E

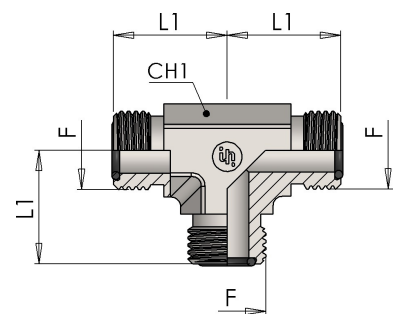


Product number	Ø tube		Thread	Dimension			Weight
	mm	inch	F	L	L1	CH1	kg/unit
6300-06	6	1/4"	9/16-18	21	10	14	0,047
6300-09	8-10	5/16"-3/8"	11/16-16	25	11	19	0,109
6300-11	12	1/2"	13/16-16	28	13	19	0,123
6300-13	14-16	5/8"	1-14	33.5	15.5	27	0,183
6300-14	18-20	3/4"	1.3/16-12	37.5	17	27	0,18
6300-15	22-25	1"	1.7/16-12	41.5	17.5	36	0,45
6300-21	28-32	1.1/4"	1.11/16-12	44.5	17.5	41	0,53
6300-32	35-38	1.1/2"	2-12	49	17.5	50	0,7

## 6350

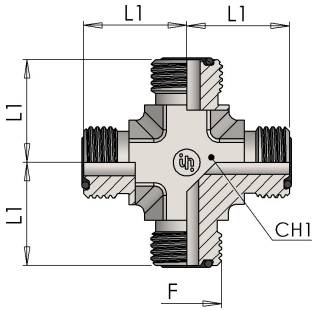
## ORFS Union Tee (ISO 8434-3)

T



Product number	Ø tube		Thread	Dimension		Weight
	mm	inch	F	L1	CH1	kg/unit
6350-06	6	1/4"	9/16-18	21	14	0,066
6350-09	8-10	5/16"-3/8"	11/16-16	25	19	0,114
6350-11	12	1/2"	13/16-16	28	19	0,199
6350-13	14-16	5/8"	1-14	33.5	27	0,239
6350-14	18-20	3/4"	1.3/16-12	37.5	27	0,321
6350-15	22-25	1"	1.7/16-12	41.5	36	0,488
6350-21	28-32	1.1/4"	1.11/16-12	44.5	41	0,768
6350-32	35-38	1.1/2"	2-12	49	50	0,866

## 6550

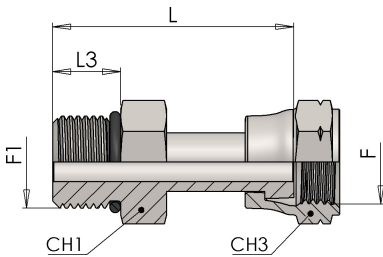


### ORFS Union Cross (ISO 8434-3)

K

Product number	Ø tube		Thread	Dimension		Weight
	mm	inch	F	L1	CH1	kg/unit
6550-06	6	1/4"	9/16-18	21	14	0,072
6550-09	8-10	5/16"-3/8"	11/16-16	25	19	0,14
6550-11	12	1/2"	13/16-16	28	19	0,225
6550-13	14-16	5/8"	1-14	33.5	27	0,288
6550-14	18-20	3/4"	1.3/16-12	37.5	27	0,32

## 6120



### ORFS Swivel female - Male UN/UNF (ISO 11926)

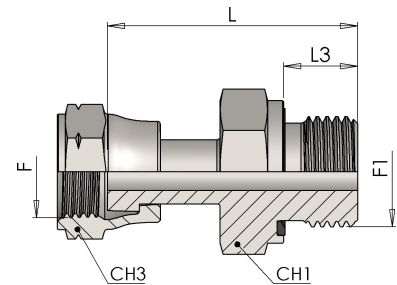
SDSWS

Product number	Ø tube		Thread		Dimension				Weight
	mm	inch	F	F1	L	L3	CH1	CH3	kg/unit
6120-04-06	6	1/4"	9/16-18	7/16-20	37	11	17	17	0,053
6120-06-09	8-10	5/16"-3/8"	11/16-16	9/16-18	40	12	19	22	0,066
6120-08-11	12	1/2"	13/16-16	3/4-16	50	14	22	24	0,11
6120-10-13	14-16	5/8"	1-14	7/8-14	54	16	27	30	0,173
6120-12-14	18-20	3/4"	1.3/16-12	1.1/16-12	59	18.5	32	36	0,275
6120-16-15	22-25	1"	1.7/16-12	1.5/16-12	68	18.5	41	41	0,462
6120-20-21	28-32	1.1/4"	1.11/16-12	1.5/8-12	68	18.5	46	50	0,622

# 6036

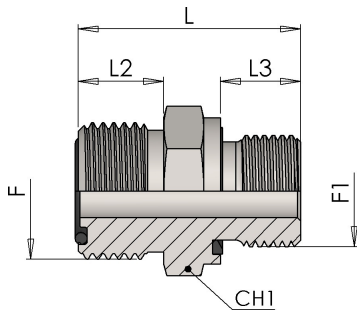
## ORFS Swivel female - Male BSPP (Form E ISO 1179-2)

SWS



Product number	Ø tube		Thread		Dimension				Weight
	mm	inch	F	F1	L	L3	CH1	CH3	kg/unit
6036-02-06	6	1/4"	9/16-18	G 1/8	34	8	14	17	0,043
6036-04-06	6	1/4"	9/16-18	G 1/4	38	12	19	17	0,059
6036-04-09	8-10	5/16"-3/8"	11/16-16	G 1/4	40	12	19	22	0,072
6036-04-11	12	1/2"	13/16-16	G 1/4	47	12	22	24	0,098
6036-06-09	8-10	5/16"-3/8"	11/16-16	G 3/8	40	12	22	22	0,086
6036-06-11	12	1/2"	13/16-16	G 3/8	47	12	22	24	0,104
6036-08-09	8-10	5/16"-3/8"	11/16-16	G 1/2	42	14	27	22	0,092
6036-08-11	12	1/2"	13/16-16	G 1/2	49	14	27	24	0,142
6036-08-13	14-16	5/8"	1-14	G 1/2	52	14	27	30	0,165
6036-12-13	14-16	5/8"	1-14	G 3/4	54	16	32	30	0,185
6036-12-14	18-20	3/4"	1.3/16-12	G 3/4	57	16	32	36	0,266
6036-16-15	22-25	1"	1.7/16-12	G 1	67	18	41	41	0,414
6036-20-21	28-32	1.1/4"	1.11/16-12	G 1 1/4	69	20	50	50	0,623
6036-24-32	35-38	1.1/2"	2-12	G 1 1/2	72	22	55	60	0,885

# 6805



## Male stud connector ORFS-BSPP (Form E ISO 1179-2)

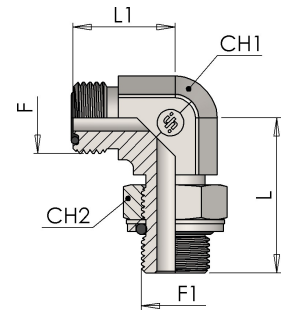
SDS

Product number	Ø tube		Thread		Dimension				Weight
	mm	inch	F	F1	L	L2	L3	CH1	kg/unit
6805-02-06	6	1/4"	9/16-18	G 1/8	25	10	8	17	0,029
6805-04-06	6	1/4"	9/16-18	G 1/4	30.5	10	12	19	0,042
6805-04-09	8-10	5/16"-3/8"	11/16-16	G 1/4	31.5	11	12	19	0,045
6805-04-11	12	1/2"	13/16-16	G 1/4	33	13	12	22	0,04
6805-06-06	6	1/4"	9/16-18	G 3/8	30.5	10	12	22	0,061
6805-06-09	8-10	5/16"-3/8"	11/16-16	G 3/8	31.5	11	12	22	0,063
6805-06-11	12	1/2"	13/16-16	G 3/8	33.5	13	12	22	0,06
6805-06-13	14-16	5/8"	1-14	G 3/8	37	15.5	12	27	0,093
6805-08-09	8-10	5/16"-3/8"	11/16-16	G 1/2	35	11	14	27	0,052
6805-08-11	12	1/2"	13/16-16	G 1/2	37	13	14	27	0,09
6805-08-13	14-16	5/8"	1-14	G 1/2	39.5	15.5	14	27	0,11
6805-08-14	18-20	3/4"	1.3/16-12	G 1/2	43	17	14	32	0,147
6805-12-11	12	1/2"	13/16-16	G 3/4	41	13	16	32	0,151
6805-12-13	14-16	5/8"	1-14	G 3/4	43.5	15.5	16	32	0,154
6805-12-14	18-20	3/4"	1.3/16-12	G 3/4	45	17	16	32	0,164
6805-12-15	22-25	1"	1.7/16-12	G 3/4	46	17.5	16	41	0,236
6805-16-13	14-16	5/8"	1-14	G 1	46	15.5	18	41	0,271
6805-16-14	18-20	3/4"	1.3/16-12	G 1	47.5	17	18	41	0,276
6805-16-15	22-25	1"	1.7/16-12	G 1	48	17.5	18	41	0,37
6805-16-21	28-32	1.1/4"	1.11/16-12	G 1	49.5	17.5	18	46	0,505
6805-20-15	22-25	1"	1.7/16-12	G 1.1/4	51.5	17.5	20	50	0,487
6805-20-21	28-32	1.1/4"	1.11/16-12	G 1.1/4	51.5	17.5	20	50	0,532
6805-24-32	35-38	1.1/2"	2-12	G 1.1/2	55.5	17.5	22	55	0,585

## 6215

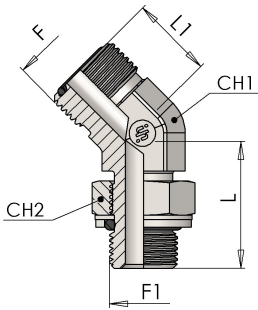
## 90° Adjustable stud elbow ORFS-BSP (ISO 1179)

### SDE



Product number	Ø tube		Thread		Dimension				Weight kg/unit
	mm	inch	F	F1	L	L1	CH1	CH2	
6215-02-06	6	1/4"	9/16-18	G 1/8	30	21	14	14	0,049
6215-04-06	6	1/4"	9/16-18	G 1/4	37	23	19	19	0,093
6215-04-09	8-10	5/16"-3/8"	11/16-16	G 1/4	37	25	19	19	0,097
6215-04-11	12	1/2"	13/16-16	G 1/4	37	28	19	19	0,108
6215-06-06	6	1/4"	9/16-18	G 3/8	38	23	19	22	0,099
6215-06-09	8-10	5/16"-3/8"	11/16-16	G 3/8	38	25	19	22	0,106
6215-06-11	12	1/2"	13/16-16	G 3/8	38	28	19	22	0,108
6215-06-13	14-16	5/8"	1-14	G 3/8	43	33.5	27	22	0,235
6215-08-09	8-10	5/16"-3/8"	11/16-16	G 1/2	48	29.5	27	27	0,12
6215-08-11	12	1/2"	13/16-16	G 1/2	48	30.5	27	27	0,239
6215-08-13	14-16	5/8"	1-14	G 1/2	48	33.5	27	27	0,274
6215-08-14	18-20	3/4"	1.3/16-12	G 1/2	48	37.5	27	27	0,297
6215-12-11	12	1/2"	13/16-16	G 3/4	51.5	32	27	36	0,258
6215-12-13	14-16	5/8"	1-14	G 3/4	51.5	33.5	27	36	0,352
6215-12-14	18-20	3/4"	1.3/16-12	G 3/4	51.5	37.5	27	36	0,355
6215-12-15	22-25	1"	1.7/16-12	G 3/4	54.5	41.5	36	36	0,533
6215-16-14	18-20	3/4"	1.3/16-12	G 1	59	39.5	36	41	0,362
6215-16-15	22-25	1"	1.7/16-12	G 1	59	41.5	36	41	0,551
6215-16-21	28-32	1.1/4"	1.11/16-12	G 1	60.5	44.5	41	41	0,712
6215-20-15	22-25	1"	1.7/16-12	G 1.1/4	62	43	41	50	0,758
6215-20-21	28-32	1.1/4"	1.11/16-12	G 1.1/4	62	44.5	41	50	0,752
6215-24-21	28-32	1.1/4"	1.11/16-12	G 1.1/2	65	46.5	50	55	0,821
6215-24-32	35-38	1.1/2"	2-12	G 1.1/2	65	49	50	55	0,953

# 6260



## 45° Adjustable stud elbow ORFS-BSP (ISO 1179)

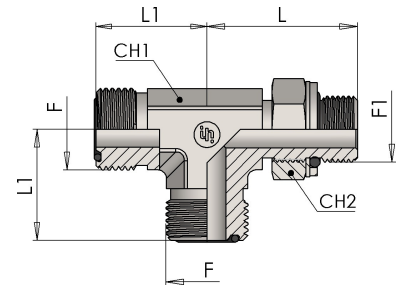
**SDE45**

Product number	Ø tube		Dimension								Thread		Weight
	mm	inch	B	C	H	E	F	F1	L	L1	CH1	CH2	kg/unit
6260-02-06	6	1/4"	22	27	14	14	9/16-18	G 1/8	28	18	14	14	0,038
6260-04-06	6	1/4"	24	32	19	19	9/16-18	G 1/4	32.5	18.5	19	19	0,055
6260-04-09	8-10	5/16"-3/8"	25	32	19	19	11/16-16	G 1/4	32.5	19.5	19	19	0,085
6260-06-09	8-10	5/16"-3/8"	27	34	24	19	11/16-16	G 3/8	33.5	19.5	19	22	0,095
6260-06-11	12	1/2"	28	34	24	19	13/16-16	G 3/8	33.5	22	19	22	0,117
6260-08-09	8-10	5/16"-3/8"	30	42	27	27	11/16-16	G 1/2	42	22.5	27	27	0,107
6260-08-13	14-16	5/8"	34	42	27	27	1-14	G 1/2	42	26	27	27	0,191
6260-12-13	14-16	5/8"	36	47	36	30	1-14	G 3/4	46	26	27	36	0,205
6260-12-14	18-20	3/4"	38	47	36	30	1.3/16-12	G 3/4	46	27	27	36	0,245
6260-16-14	18-20	3/4"	41	51	41	37	1.3/16-12	G 1	51	29.5	36	41	0,325
6260-16-15	22-25	1"	45	51	41	37	1.7/16-12	G 1	51	30	36	41	0,394
6260-20-21	28-32	1.1/4"	45	52	50	41	1.11/16-12	G 1.1/4	52	32	41	50	0,43

# 6460

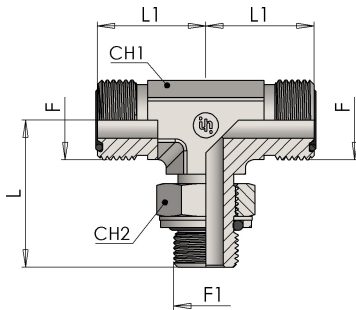
## Adjustable stud Run Tee ORFS-BSP (ISO 1179)

### SDRT



Product number	Ø tube		Dimension								Thread		Weight kg/unit
	mm	inch	B	C	H	E	F	F1	L	L1	CH1	CH2	
6460-02-06	6	1/4"	22	30	14	14	9/16-18	G 1/8	30	21	14	14	0,069
6460-04-06	6	1/4"	24	36	19	19	9/16-18	G 1/4	37	23	19	19	0,097
6460-04-09	8-10	5/16"-3/8"	25	36	19	19	11/16-16	G 1/4	37	25	19	19	0,127
6460-06-06	6	1/4"	25	39	19	24	9/16-18	G 3/8	38	23	19	22	0,11
6460-06-09	8-10	5/16"-3/8"	27	39	19	24	11/16-16	G 3/8	38	25	19	22	0,126
6460-06-11	12	1/2"	28	39	19	24	13/16-16	G 3/8	38	28	19	22	0,146
6460-08-11	12	1/2"	31	49	27	27	13/16-16	G 1/2	48	30.5	27	27	0,174
6460-08-13	14-16	5/8"	34	49	27	27	1-14	G 1/2	48	33.5	27	27	0,288
6460-12-13	14-16	5/8"	36	52	30	36	1-14	G 3/4	51.5	33.5	27	36	0,31
6460-12-14	18-20	3/4"	38	52	30	36	1.3/16-12	G 3/4	51.5	37.5	27	36	0,49
6460-16-15	22-25	1"	42	59	37	41	1.7/16-12	G 1	59	41.5	36	41	0,55
6460-20-21	28-32	1.1/4"	45	61	41	50	1.11/16-12	G 1.1/4	62	44.5	41	50	0,825
6460-24-32	35-38	1.1/2"	49	65	48	60	2-12	G 1.1/2	65	49	50	55	0,95

# 6410



## Adjustable stud Branch Tee ORFS-BSP (ISO 1179)

**SDBT**

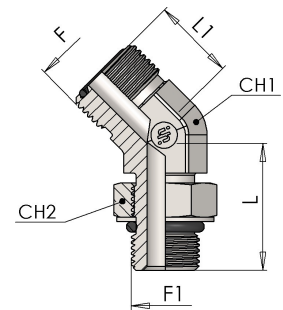
Product number	Ø tube		Dimension								Thread		Weight
	mm	inch	B	C	H	E	F	F1	L	L1	CH1	CH2	kg/unit
6410-02-06	6	1/4"	22	30	14	14	9/16-18	G 1/8	30	21	14	14	0,069
6410-04-06	6	1/4"	24	36	19	19	9/16-18	G 1/4	37	23	19	19	0,097
6410-04-09	8-10	5/16"-3/8"	25	36	19	19	11/16-16	G 1/4	37	25	19	19	0,127
6410-06-06	6	1/4"	25	39	19	24	9/16-18	G 3/8	38	23	19	22	0,11
6410-06-09	8-10	5/16"-3/8"	27	39	19	24	11/16-16	G 3/8	38	25	19	22	0,126
6410-06-11	12	1/2"	28	39	19	24	13/16-16	G 3/8	38	28	19	22	0,146
6410-08-11	12	1/2"	31	49	27	27	13/16-16	G 1/2	48	30.5	27	27	0,174
6410-08-13	14-16	5/8"	34	49	27	27	1-14	G 1/2	48	33.5	27	27	0,288
6410-12-13	14-16	5/8"	36	52	30	36	1-14	G 3/4	51.5	33.5	27	36	0,31
6410-12-14	18-20	3/4"	38	52	30	36	1.3/16-12	G 3/4	51.5	37.5	27	36	0,49
6410-16-15	22-25	1"	42	59	37	41	1.7/16-12	G 1	59	41.5	36	41	0,55
6410-20-21	28-32	1.1/4"	45	61	41	50	1.11/16-12	G 1.1/4	62	44.5	41	50	0,825
6410-24-32	35-38	1.1/2"	49	65	48	60	2-12	G 1.1/2	65	49	50	55	0,95



## 6860

### 45° Adjustable stud elbow ORFS-METRIC (ISO 6149)

SDE45

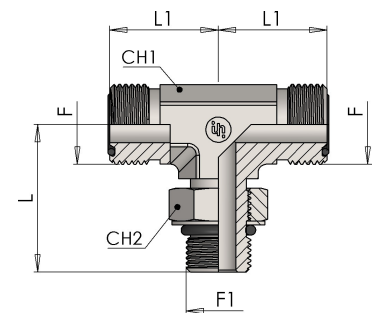


Product number	Ø tube		Thread		Dimension				Weight kg/unit
	mm	inch	F	F1	L	L1	CH1	CH2	
6860-12-06	6	1/4"	9/16-18	M12x1.5	30	18	14	17	0.045
6860-14-09	8-10	5/16"-3/8"	11/16-16	M14x1.5	32	19.5	19	19	0.075
6860-16-09	8-10	5/16"-3/8"	11/16-16	M16x1.5	34	19.5	19	22	0.080
6860-18-11	12	1/2"	13/16-16	M18x1.5	37	22	19	24	0.110
6860-18-13	14-16	5/8"	1-14	M18x1.5	40	26	27	24	0.170
6860-22-13	14-16	5/8"	1-14	M22x1.5	44	26	27	27	0.190
6860-27-14	18-20	3/4"	1.3/16-12	M27x2	50	27	27	32	0.250
6860-33-15	22-25	1"	1.7/16-12	M33x2	52.5	30	36	41	0.300
6860-42-21	28-32	1.1/4"	1.11/16-12	M42x2	54	32	41	50	0.445

## 6890

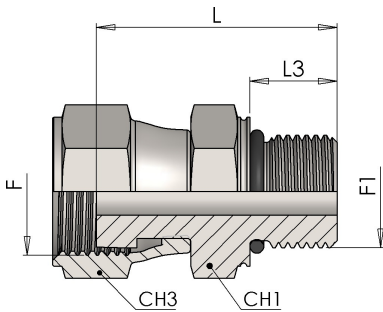
### Adjustable stud Branch Tee ORFS-METRIC (ISO 6149)

SDBT



Product number	Ø tube		Thread		Dimension				Weight kg/unit
	mm	inch	F	F1	L	L1	CH1	CH2	
6890-12-06	6	1/4"	9/16-18	M12x1.5	33	21	14	17	0.066
6890-14-09	8-10	5/16"-3/8"	11/16-16	M14x1.5	36	25	19	19	0.080
6890-16-09	8-10	5/16"-3/8"	11/16-16	M16x1.5	38	25	19	22	0.085
6890-18-11	12	1/2"	13/16-16	M18x1.5	41	28	19	24	0.200
6890-22-13	14-16	5/8"	1-14	M22x1.5	50	33.5	27	27	0.280
6890-27-14	18-20	3/4"	1.3/16-12	M27x2	55	37.5	27	32	0.530
6890-33-15	22-25	1"	1.7/16-12	M33x2	59	41.5	36	41	0.650
6890-42-21	28-32	1.1/4"	1.11/16-12	M42x2	62	44.5	41	50	0.730
6890-48-32	35-38	1.1/2"	2-12	M48x2	68	49	50	55	0.890

## 6850

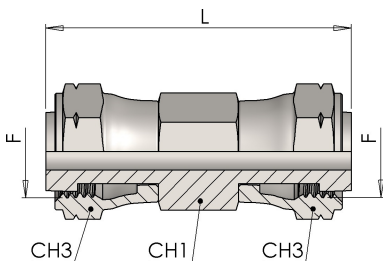


### ORFS Swivel female - Male Metric (ISO 6149)

**SDSWS**

Product number	Ø tube		Thread		Dimension				Weight
	mm	inch	F	F1	L	L3	CH1	CH3	kg/unit
6850-12-06	6	1/4"	9/16-18	M12x1,5	37	11	17	17	0,053
6850-16-09	8-10	5/16"-3/8"	11/16-16	M16x1,5	40,5	12,5	22	22	0,072
6850-18-11	12	1/2"	13/16-16	M18x1,5	49,5	14	24	24	0,11
6850-22-13	14-16	5/8"	1-14	M22x1,5	53	15	27	30	0,173
6850-27-14	18-20	3/4"	1.3/16-12	M27x2	59,5	18,5	32	36	0,275
6850-33-15	22-25	1"	1.7/16-12	M33x2	67,5	18,5	41	41	0,462
6850-42-21	28-32	1.1/4"	1.11/16-12	M42x2	68	19	50	50	0,622
6850-48-32	35-38	1.1/2"	2-12	M48x2	70,5	21,5	55	60	0,885

## 6060



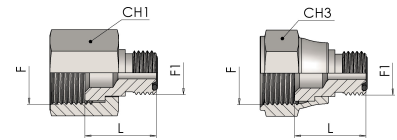
### ORFS Straight swivel nut union (ISO 8434-3)

**SWS**

Product number	Ø tube		Thread	Dimension			Weight
	mm	inch	F	L	CH1	CH3	kg/unit
6060-06-06	6	1/4"	9/16-18	40.4	17	17	0,053
6060-09-09	8-10	5/16"-3/8"	11/16-16	45	19	22	0,066
6060-11-11	12	1/2"	13/16-16	53.8	22	24	0,11
6060-13-13	14-16	5/8"	1-14	61.5	27	30	0,17
6060-14-14	18-20	3/4"	1.3/16-12	69.6	32	36	0,275

# 6056

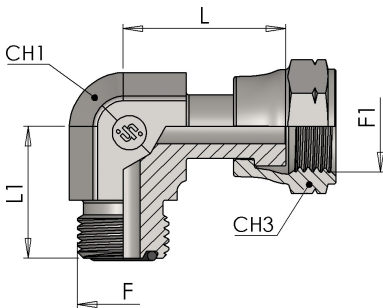
## ORFS Reducing male-female (ISO 8434-3)



### SRDS

Product number	Ø tube		Thread		Dimension			Weight kg/unit
	mm	inch	F	F1	L	CH1	CH3	
6056-09-06	10-06	3/8"-1/4"	11/16-16	9/16-18	19.5	22	0,021	
6056-11-06	12-06	1/2"-1/4"	13/16-16	9/16-18	22	24	0,03	
6056-11-09	12-10	1/2"-3/8"	13/16-16	11/16-16	22.5	24	0,033	
6056-13-06	16-06	5/8"-1/4"	1-14	9/16-18	23	30	0,071	
6056-13-09	16-08	5/8"-5/16"	1-14	11/16-16	24	30	0,073	
6056-13-11	16-12	5/8"-1/2"	1-14	13/16-16	25.5	30	0,078	
6056-14-06	20-06	3/4"-1/4"	1.3/16-12	9/16-18	25	36	0,085	
6056-14-09	20-10	3/4"-3/8"	1.3/16-12	11/16-16	26	36	0,098	
6056-14-11	20-12	3/4"-1/2"	1.3/16-12	13/16-16	27.5	36	0,105	
6056-14-13	20-16	3/4"-5/8"	1.3/16-12	1-14	29.5	36	0,085	
6056-15-11	25-12	1"-1/2"	1.7/16-12	13/16-16	29	41	0,135	
6056-15-13	25-16	1"-5/8"	1.7/16-12	1-14	32	41	0,14	
6056-15-14	25-20	1"-3/4"	1.7/16-12	1.3/16-12	33	41	0,133	
6056-21-14	30-20	1.1/4"-3/4"	1.11/16-12	1.3/16-12	33.5	50	0,15	
6056-21-15	30-25	1.1/4"-1"	1.11/16-12	1.7/16-12	38.5	50	0,2	
6056-32-15	38-25	1.1/2"-1"	2-12	1.7/16-12	34	60	0,42	
6056-32-21	38-30	1.1/2"-1.1/4"	2-12	1.11/16-12	34	60	0,42	

## 6205

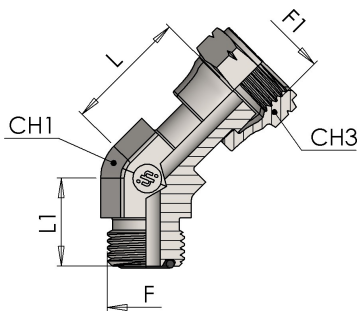


### 90° Swivel Elbow (ISO 8434-3)

**SWE**

Product number	Ø tube		Thread		Dimension				Weight
	mm	inch	F	F1	L	L1	CH1	CH3	kg/unit
6205-06	6	1/4"	9/16-18	9/16-18	27.5	21	14	17	0,045
6205-09	8-10	5/16"-3/8"	11/16-16	11/16-16	31	25	19	22	0,084
6205-11	12	1/2"	13/16-16	13/16-16	38	28	19	24	0,126
6205-13	14-16	5/8"	1-14	1-14	43	33.5	27	30	0,221
6205-14	18-20	3/4"	1.3/16-12	1.3/16-12	47.5	37.5	27	36	0,275
6205-15	22-25	1"	1.7/16-12	1.7/16-12	54	41.5	36	41	0,541
6205-21	28-32	1.1/4"	1.11/16-12	1.11/16-12	59	44.5	41	50	0,557
6205-32	35-38	1.1/2"	2-12	2-12	62	49	50	60	0,75

## 6255



### 45° Swivel Elbow (ISO 8434-3)

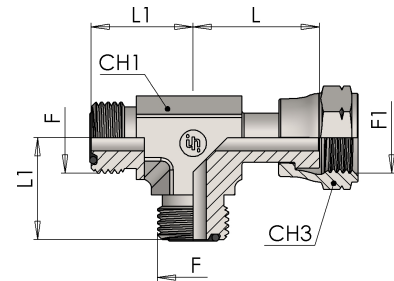
**SWE45**

Product number	Ø tube		Thread		Dimension				Weight
	mm	inch	F	F1	L	L1	CH1	CH3	kg/unit
6255-06	6	1/4"	9/16-18	9/16-18	26	18	14	17	0,044
6255-09	8-10	5/16"-3/8"	11/16-16	11/16-16	28	20	19	22	0,082
6255-11	12	1/2"	13/16-16	13/16-16	33	22	19	24	0,11
6255-13	14-16	5/8"	1-14	1-14	36.5	23.5	27	30	0,19
6255-14	18-20	3/4"	1.3/16-12	1.3/16-12	41.5	26	27	36	0,215
6255-15	22-25	1"	1.7/16-12	1.7/16-12	46.5	32	36	41	0,3
6255-21	28-32	1.1/4"	1.11/16-12	1.11/16-12	46.5	32	41	50	0,5
6255-32	35-38	1.1/2"	2-12	2-12	48.5	37	50	60	0,745

## 6620

### Swivel Run Tee (ISO 8434-3)

#### SWRT

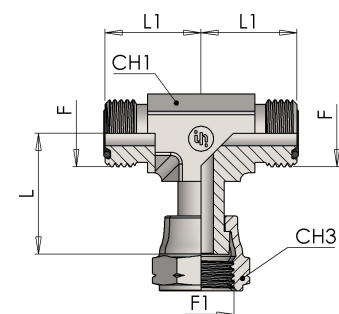


Product number	Ø tube		Thread		Dimension				Weight kg/unit
	mm	inch	F	F1	L	L1	CH1	CH3	
6620-06	6	1/4"	9/16-18	9/16-18	27.5	21	14	17	0,066
6620-09	8-10	5/16"-3/8"	11/16-16	11/16-16	31	25	19	22	0,125
6620-11	12	1/2"	13/16-16	13/16-16	38	28	19	24	0,15
6620-13	14-16	5/8"	1-14	1-14	43	33.5	27	30	0,233
6620-14	18-20	3/4"	1.3/16-12	1.3/16-12	47.5	37.5	27	36	0,28
6620-15	22-25	1"	1.7/16-12	1.7/16-12	54	41.5	36	41	0,505
6620-21	28-32	1.1/4"	1.11/16-12	1.11/16-12	59	44.5	41	50	0,775
6620-32	35-38	1.1/2"	2-12	2-12	62	49	50	60	0,965

## 6630

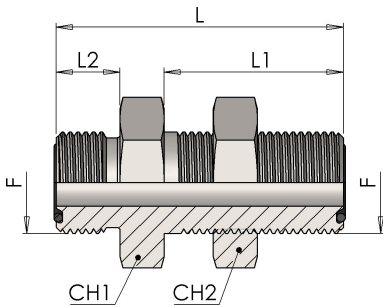
### Swivel Branch Tee (ISO 8434-3)

#### SWBT



Product number	Ø tube		Thread		Dimension				Weight kg/unit
	mm	inch	F	F1	L	L1	CH1	CH3	
6630-06	6	1/4"	9/16-18	9/16-18	27.5	21	14	17	0,066
6630-09	8-10	5/16"-3/8"	11/16-16	11/16-16	31	25	19	22	0,125
6630-11	12	1/2"	13/16-16	13/16-16	38	28	19	24	0,15
6630-13	14-16	5/8"	1-14	1-14	43	33.5	27	30	0,233
6630-14	18-20	3/4"	1.3/16-12	1.3/16-12	47.5	37.5	27	36	0,28
6630-15	22-25	1"	1.7/16-12	1.7/16-12	54	41.5	36	41	0,505
6630-21	28-32	1.1/4"	1.11/16-12	1.11/16-12	59	44.5	41	50	0,775
6630-32	35-38	1.1/2"	2-12	2-12	62	49	50	60	0,965

## 6050

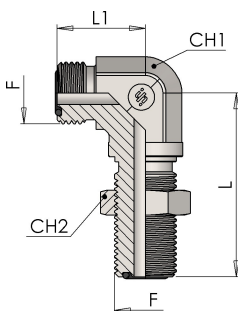


### Bulkhead union (ISO 8434-3)

**BHS**

Product number	Ø tube		Thread F	Dimension				Weight kg/unit
	mm	inch		L	L1	L2	CH1	
6050-06	6	1/4"	9/16-18	48	31.5	10	22	0,08
6050-09	8-10	5/16"-3/8"	11/16-16	53	34	11	27	0,14
6050-11	12	1/2"	13/16-16	58.5	36.5	13	30	0,155
6050-13	14-16	5/8"	1-14	66.5	40.5	15.5	36	0,31
6050-14	18-20	3/4"	1.3/16-12	69	41.5	17	41	0,34
6050-15	22-25	1"	1.7/16-12	70	42	17.5	46	0,436
6050-21	28-32	1.1/4"	1.11/16-12	70	42	17.5	50	0,51
6050-32	35-38	1.1/2"	2-12	70	42	17.5	60	0,674

## 6510



### 90° Bulkhead union (ISO 8434-3)

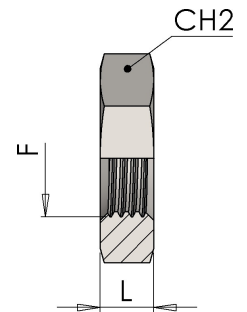
**BHE**

Product number	Ø tube		Thread F	Dimension				Weight kg/unit
	mm	inch		L	L1	CH1	CH2	
6510-06	6	1/4"	9/16-18	47	21	14	22	0,078
6510-09	8-10	5/16"-3/8"	11/16-16	52	25	19	27	0,146
6510-11	12	1/2"	13/16-16	55	28	19	30	0,252
6510-13	14-16	5/8"	1-14	63	35	27	36	0,287
6510-14	18-20	3/4"	1.3/16-12	67	38	27	41	0,31
6510-15	22-25	1"	1.7/16-12	71	41.5	36	46	0,64

## 0107

### Bulkhead locknut

#### BHLN

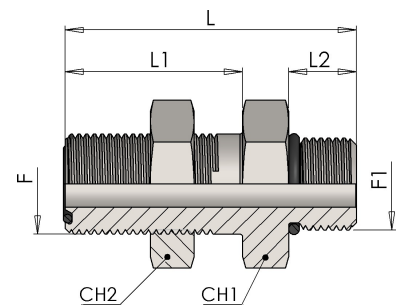


Product number	Thread	Dimension		Weight
	F	L	CH2	kg/unit
0107-06	9/16-18	7	22	0,011
0107-09	11/16-16	8	27	0,025
0107-11	13/16-16	9	30	0,031
0107-13	1-14	11	36	0,053
0107-14	1.3/16-12	11	41	0,064
0107-15	1.7/16-12	11	46	0,068
0107-21	1.11/16-12	11	50	0,070
0107-32	2-12	11	60	0,100

## 6150

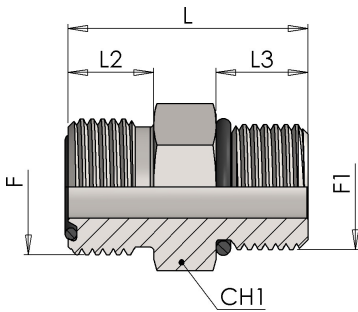
### Bulkhead unions ORFS/UNF (ISO 11926)

#### BHS



Product number	Ø tube		Thread		Dimension					Weight
	mm	inch	F	F1	L	L1	L2	CH1	CH2	kg/unit
6150-04-06	6	1/4"	9/16-18	7/16-20	54	31.5	11	22	22	0,075
6150-06-09	8-10	5/16"-3/8"	11/16-16	9/16-18	58	34	12	27	27	0,112
6150-08-11	12	1/2"	13/16-16	3/4-16	65	36.5	14	30	30	0,147
6150-10-13	14-16	5/8"	1-14	7/8-14	67	40.5	16	36	36	0,295
6150-12-14	18-20	3/4"	1.3/16-12	1.1/16-12	71	41.5	18.5	41	41	0,33

# 6100



## Male stud connector ORFS-UNF (ISO 11926)

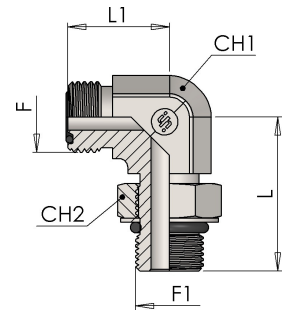
SDS

Product number	Ø tube		Thread		Dimension				Weight
	mm	inch	F	F1	L	L2	L3	CH1	kg/unit
6100-04-06	6	1/4"	9/16-18	7/16-20	29	10	11	17	0,03
6100-06-06	6	1/4"	9/16-18	9/16-18	31	10	12	19	0,036
6100-06-09	8-10	5/16"-3/8"	11/16-16	9/16-18	32	11	12	19	0,045
6100-08-11	12	1/2"	13/16-16	3/4-16	37	13	14	22	0,067
6100-10-09	8-10	5/16"-3/8"	11/16-16	7/8-14	39	11	16	27	0,089
6100-10-13	14-16	5/8"	1-14	7/8-14	43	15.5	16	27	0,109
6100-10-14	18-20	3/4"	1.3/16-12	7/8-14	51	17	16	32	0,177
6100-12-14	18-20	3/4"	1.3/16-12	1.1/16-12	49	17	18.5	32	0,173
6100-12-15	22-25	1"	1.7/16-12	1.1/16-12	55	17.5	18.5	41	0,287
6100-16-14	18-20	3/4"	1.3/16-12	1.5/16-12	50	17	18.5	41	0,254
6100-16-15	22-25	1"	1.7/16-12	1.5/16-12	50	17.5	18.5	41	0,29
6100-20-15	22-25	1"	1.7/16-12	1.5/8-12	52.5	17.5	18.5	46	0,428
6100-20-21	28-32	1.1/4"	1.11/16-12	1.5/8-12	52.5	17.5	18.5	46	0,416
6100-24-32	35-38	1.1/2"	2-12	1.7/8-12	54	17.5	18.5	55	0,612



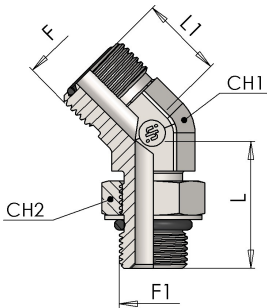
**6200**

## Adjustable stud elbow ORFS-UNF (ISO 11926)

**SDE**

Product number	Ø tube		Thread		Dimension				Weight kg/unit
	mm	inch	F	F1	L	L1	CH1	CH2	
6200-04-06	6	1/4"	9/16-18	7/16-20	32	21	14	17	0,053
6200-06-06	6	1/4"	9/16-18	9/16-18	37	23	19	19	0,066
6200-06-09	8-10	5/16"-3/8"	11/16-16	9/16-18	37	25	19	19	0,068
6200-08-11	12	1/2"	13/16-16	3/4-16	41	28	19	24	0,164
6200-10-13	14-16	5/8"	1-14	7/8-14	50	33.5	27	27	0,214
6200-12-14	18-20	3/4"	1.3/16-12	1.1/16-12	55	37.5	27	36	0,35
6200-16-15	22-25	1"	1.7/16-12	1.5/16-12	59	41.5	36	41	0,49
6200-20-21	28-32	1.1/4"	1.11/16-12	1.5/8-12	62	44.5	41	50	0,695
6200-24-32	35-38	1.1/2"	2-12	1.7/8-12	67	49	50	55	0,775

## 6250

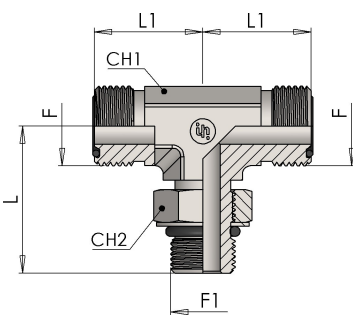


### Adjustable stud elbow ORFS-UNF (ISO 11926)

**SDE45**

Product number	Ø tube		Thread		Dimension				Weight kg/unit
	mm	inch	F	F1	L	L1	CH1	CH2	
6250-04-06	6	1/4"	9/16-18	7/16-20	30	18	14	17	0,045
6250-04-09	8-10	5/16"-3/8"	11/16-16	7/16-20	31.5	19.5	19	17	0.064
6250-06-09	8-10	5/16"-3/8"	11/16-16	9/16-18	33	19.5	19	19	0,083
6250-08-09	8-10	5/16"-3/8"	11/16-16	3/4-16	37	19	19	24	0.096
6250-08-11	12	1/2"	13/16-16	3/4-16	37	22	19	24	0,117
6250-08-13	14-16	5/8"	1-14	3/4-16	40.5	26	27	24	0.192
6250-10-13	14-16	5/8"	1-14	7/8-14	44	26	27	27	0,194
6250-12-14	18-20	3/4"	1.3/16-12	1.1/16-12	50	27	27	36	0,294
6250-16-15	22-25	1"	1.7/16-12	1.5/16-12	52.5	30	36	41	0,394
6250-20-21	28-32	1.1/4"	1.11/16-12	1.5/8-12	53.5	32	41	50	0,447

## 6400



### Adjustable stud Branch Tee ORFS-UNF (ISO 11926)

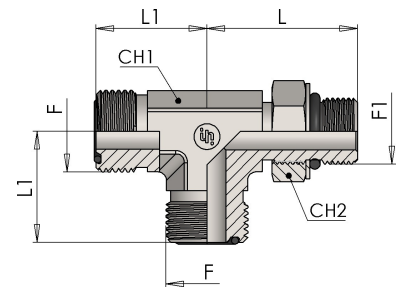
**SDBT**

Product number	Ø tube		Thread		Dimension				Weight kg/unit
	mm	inch	F	F1	L	L1	CH1	CH2	
6400-04-06	6	1/4"	9/16-18	7/16-20	32	21	14	17	0,067
6400-06-09	8-10	5/16"-3/8"	11/16-16	9/16-18	37	25	19	19	0,131
6400-08-11	12	1/2"	13/16-16	3/4-16	41	28	19	24	0,187
6400-10-13	14-16	5/8"	1-14	7/8-16	50	33.5	27	27	0,279
6400-12-14	18-20	3/4"	1.3/16-12	1.1/16-12	55	37.5	27	36	0,441
6400-16-15	22-25	1"	1.7/16-12	1.5/16-12	59	41.5	36	41	0,539
6400-20-21	28-32	1.1/4"	1.11/16-12	1.5/8-12	62	44.5	41	50	0,851
6400-24-32	35-38	1.1/2"	2-12	1.7/8-12	67	49	50	55	0,942

6450

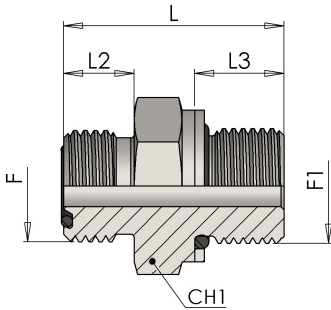
## Adjustable stud Run Tee ORFS-UNF (ISO 11926)

SDRT



Product number	Ø tube		Dimension									Thread		Weight kg/unit
	mm	inch	C	L	B	H	E	F	F1	L1	CH1	CH2		
6450-04-06	6	1/4"	10	32	33	17	14	9/16-18	7/16-20	21	14	17	0,067	
6450-06-09	8-10	5/16"-3/8"	11	37	37	19	19	11/16-16	9/16-18	25	19	19	0,131	
6450-08-11	12	1/2"	13	41	41	22	19	13/16-16	3/4-16	28	19	24	0,187	
6450-10-13	14-16	5/8"	16	50	50	27	27	1-14	7/8-16	33.5	27	27	0,279	
6450-12-14	18-20	3/4"	17	55	55	32	30	1.3/16-12	1.1/16-12	37.5	27	36	0,441	
6450-16-15	22-25	1"	18	59	60	38	37	1.7/16-12	1.5/16-12	41.5	36	41	0,539	
6450-20-21	28-32	1.1/4"	18	62	62	46	41	1.11/16-12	1.5/8-12	44.5	41	50	0,851	
6450-24-32	35-38	1.1/2"	18	67	66	55	48	2-12	1.7/8-12	49	50	55	0,942	

# 6800



## Male stud connector ORFS-BSPP (ISO 1179)

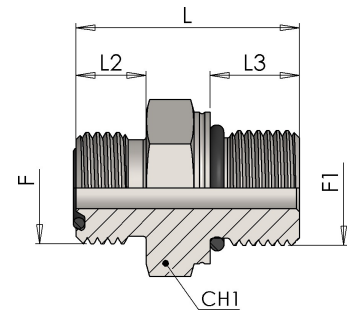
SDS

Product number	Ø tube		Thread		Dimension				Weight kg/unit
	mm	inch	F	F1	L	L2	L3	CH1	
6800-02-06	6	1/4"	9/16-18	G 1/8	25	10	8	17	0,029
6800-04-06	6	1/4"	9/16-18	G 1/4	30.5	10	12	19	0,042
6800-04-09	8-10	5/16"-3/8"	11/16-16	G 1/4	31.5	11	12	19	0,045
6800-04-11	12	1/2"	13/16-16	G 1/4	33.5	13	12	22	0,04
6800-06-06	6	1/4"	9/16-18	G 3/8	30.5	10	12	22	0,061
6800-06-09	8-10	5/16"-3/8"	11-16-16	G 3/8	31.5	11	12	22	0,063
6800-06-11	12	1/2"	13/16-16	G 3/8	33.5	13	12	22	0,06
6800-06-13	14-16	5/8"	1-14	G 3/8	37.5	15.5	12	27	0,093
6800-08-09	8-10	5/16"-3/8"	11/16-16	G 1/2	35.5	11	14.5	27	0,052
6800-08-11	12	1/2"	13/16-16	G 1/2	37.5	13	14.5	27	0,09
6800-08-13	14-16	5/8"	1-14	G 1/2	40	15.5	14.5	27	0,11
6800-08-14	18-20	3/4"	1.3/16-12	G 1/2	41.5	17	14.5	32	0,147
6800-12-13	14-16	5/8"	1-14	G 3/4	43.5	15.5	16	36	0,154
6800-12-14	18-20	3/4"	1.3/16-12	G 3/4	45	17	16	36	0,164
6800-12-15	22-25	1"	1.7/16-12	G 3/4	45.5	17.5	16	41	0,236
6800-16-14	18-20	3/4"	1.3/16-12	G 1	47.5	17	18	41	0,271
6800-16-15	22-25	1"	1.7/16-12	G 1	48	17.5	18	41	0,276
6800-16-21	28-32	1.1/4"	1.11/16-12	G 1	49.5	17.5	18	46	0,37
6800-20-15	22-25	1"	1.7/16-12	G 1.1/4	51.5	17.5	20	50	0,505
6800-20-21	28-32	1.1/4"	1.11/16-12	G 1.1/4	51.5	17.5	20	50	0,487
6800-24-21	28-32	1.1/4"	1.11/16-12	G 1.1/2	55.5	17.5	22	55	0,532
6800-24-32	35-38	1.1/2"	2-12	G 1.1/2	55.5	17.5	22	55	0,585

6840

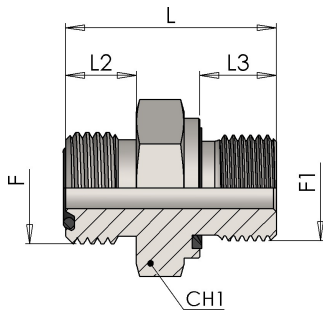
## Male stud connector ORFS-METRIC (ISO 6149)

### SDS



Product number	Ø tube		Dimension								Thread		Weight
	mm	inch	B	C	L	E	F	F1	L2	L3	CH1	kg/unit	
6840-10-06	6	1/4"	9.8	9	27	17	9/16-18	M10x1	10	9.5	17	0,02	
6840-12-06	6	1/4"	9.8	11	28.5	17	9/16-18	M12x1.5	10	11	17	0,024	
6840-12-09	8-10	5/16"-3/8"	11.2	11	32	19	11/16-16	M12x1.5	11	11	19	0,04	
6840-14-06	6	1/4"	9.8	11	29.5	19	9/16-18	M14x1,5	10	11	19	0,03	
6840-14-09	8-10	5/16"-3/8"	11.2	11	30.5	19	11/16-16	M14x1,5	11	11	19	0,043	
6840-14-11	12	1/2"	12.8	11	33.5	22	13/16-16	M14x1,5	13	11	22	0,04	
6840-16-09	8-10	5/16"-3/8"	11.2	13	33.5	22	11/16-16	M16x1,5	11	12.5	22	0,043	
6840-16-11	12	1/2"	12.8	13	36.5	24	13/16-16	M16x1,5	13	12.5	22	0,058	
6840-18-09	8-10	5/16"-3/8"	11.2	14	34	24	11/16-16	M18x1,5	11	14	24	0,045	
6840-18-11	12	1/2"	12.8	14	38	24	13/16-16	M18x1,5	13	14	24	0,055	
6840-18-13	14-16	5/8"	15.5	14	41	27	1-14	M18x1,5	15.5	14	27	0,12	
6840-22-09	8-10	5/16"-3/8"	11.2	15	37.5	27	11/16-16	M22x1,5	11	15	27	0,052	
6840-22-11	12	1/2"	12.8	15	39.5	27	13/16-16	M22x1,5	13	15	27	0,06	
6840-22-13	14-16	5/8"	15.5	15	42	27	1-14	M22x1,5	15.5	15	27	0,127	
6840-22-14	18-20	3/4"	17	15	48	32	1.3/16-12	M22x1,5	17	15	32	0,17	
6840-27-11	12	1/2"	12.8	18	44.5	32	13/16-16	M27x2	13	18.5	32	0,07	
6840-27-14	18-20	3/4"	17	19	48.5	32	1.3/16-12	M27x2	17	18.5	32	0,187	
6840-27-15	22-25	1"	17.5	18	52	41	1.7/16-12	M27x2	17.5	18.5	41	0,23	
6840-33-14	18-20	3/4"	17	19	51.5	41	1.3/16-12	M33x2	17	18.5	41	0,2	
6840-33-15	22-25	1"	17.5	18	52	41	1.7/16-12	M33x2	17.5	18.5	41	0,27	
6840-33-21	28-32	1.1/4"	17.5	18	52	46	1.11/16-12	M33x2	17.5	18.5	46	0,37	
6840-42-21	28-32	1.1/4"	17.5	19	54.5	50	1.11/16-12	M42x2	17.5	19	50	0,39	
6840-42-32	35-38	1.1/2"	17.5	19	54.5	55	2-12	M42x2	17.5	19	55	0,4	
6840-48-32	35-38	1.1/2"	17.5	21	57	55	2-12	M48x2	17.5	21.5	55	0,412	

# 6905



## Male stud connector ORFS-METRICO (Form E ISO 9974-2)

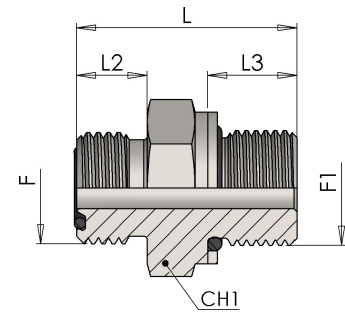
**SDS**

Product number	Ø tube		Thread		Dimension				Weight
	mm	inch	F	F1	L	L2	L3	CH1	kg/unit
6905-10-06	6	1/4"	9/16-18	M10x1	25	10	8	17	0.020
6905-12-06	6	1/4"	9/16-18	M12x1.5	29	10	12	17	0.024
6905-12-09	8-10	5/16"-3/8"	11/16-16	M12x1.5	31.5	11	12	19	0.040
6905-14-06	6	1/4"	9/16-18	M14x1.5	30.5	10	12	19	0.030
6905-14-09	8-10	5/16"-3/8"	11/16-16	M14x1.5	31.5	11	12	19	0.043
6905-16-09	8-10	5/16"-3/8"	11/16-16	M16x1.5	31.5	11	12	22	0.043
6905-16-11	12	1/2"	13/16-16	M16x1.5	33.5	13	12	22	0.058
6905-18-11	12	1/2"	13/16-16	M18x1.5	33.5	13	12	24	0.050
6905-18-13	14-16	5/8"	1-14	M18x1.5	37.5	15.5	12	27	0.120
6905-22-13	14-16	5/8"	1-14	M22x1.5	39.5	15.5	14	27	0.127
6905-27-14	18-20	3/4"	1.3/16-12	M27x2	45	17	16	32	0.187
6905-33-15	22-25	1"	1.7/16-12	M33x2	48	17.5	18	41	0.270
6905-42-21	28-32	1.1/4"	1.11/16-12	M42x2	51.5	17.5	20	50	0.390
6905-48-32	35-38	1.1/2"	2-12	M48x2	55.5	17.5	22	55	0.412

6900

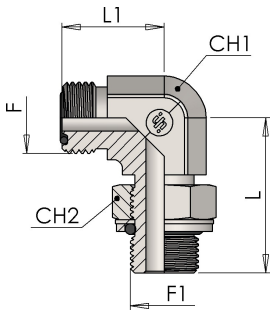
## Male stud connector ORFS-METRIC with O-ring and retaining ring

SDS



Product number	Ø tube		Dimension							Thread		Weight
	mm	inch	B	C	E	F	F1	L	L2	L3	CH1	kg/unit
6900-10-06	6	1/4"	9	34	16	9/16-18	M10x1	26	10	9	17	0,02
6900-12-06	6	1/4"	12	34	17	9/16-18	M12x1,5	28.5	10	11.5	17	0,024
6900-14-09	8-10	5/16"-3/8"	-	37	19	11/16-16	M14x1,5	30.5	11	11.5	19	0,043
6900-16-09	8-10	5/16"-3/8"	13	37	22	11/16-16	M16x1,5	33	11	13	22	0,043
6900-18-11	12	1/2"	14	45	24	13/16-16	M18x1,5	36	13	13.5	24	0,055
6900-22-13	14-16	5/8"	15	53	30	1-14	M22x1,5	40.5	15.5	15	27	0,127
6900-27-14	18-20	3/4"	19	64	36	1.3/16-12	M27x2	47.5	17	18.5	32	0,187
6900-33-15	22-25	1"	19	73	41	1.7/16-12	M33x2	50	17.5	18.5	41	0,27
6900-42-21	28-32	1.1/4"	19	87	50	1.11/16-12	M42x2	52.5	17.5	19	50	0,39
6900-48-32	35-38	1.1/2"	22	97	60	2-12	M48x2	55	17.5	21.5	55	0,412

# 6320



## 90° Adjustable stud elbow ORFS-METRIC with O-ring and retaining ring

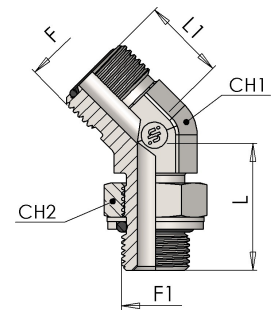
**SDE**

Product number	Ø tube		Dimension								Thread		Weight
	mm	inch	B	C	H	E	F	F1	L	L1	CH1	CH2	kg/unit
6320-10-06	6	1/4"	22	32	14	14	9/16-18	M10X1	30	21	14	14	0,038
6320-12-06	6	1/4"	22	33	14	17	9/16-18	M12X1.5	33	21	14	17	0,044
6320-14-09	8-10	5/16"-3/8"	25	37	19	19	11/16-16	M14X1.5	36	25	19	19	0,075
6320-16-09	8-10	5/16"-3/8"	25	37	19	22	11/16-16	M16X1.5	38	25	19	22	0,082
6320-16-11	12	1/2"	28	40	19	22	13/16-16	M16X1.5	38	28	19	22	0,1
6320-18-11	12	1/2"	28	40	19	24	13/16-16	M18X1.5	41	28	19	24	0,11
6320-18-13	14-16	5/8"	34	45	27	24	1-14	M18X1.5	45.5	33.5	27	24	0,16
6320-22-13	14-16	5/8"	34	49	27	27	1-14	M22X1.5	50	33.5	27	27	0,19
6320-22-14	18-20	3/4"	38	50	30	27	1.3/16-12	M22X1.5	50	37.5	27	27	0,205
6320-27-14	18-20	3/4"	38	55	30	36	1.3/16-12	M27X2	55	37.5	27	32	0,235
6320-27-15	22-25	1"	42	56	37	36	1.7/16-12	M27X2	57	41.5	36	32	0,27
6320-33-15	22-25	1"	42	60	37	41	1.7/16-12	M33X2	59	41.5	36	41	0,3
6320-42-21	28-32	1.1/4"	45	62	41	50	1.11/16-12	M42X2	62	44.5	41	50	0,445
6320-48-32	35-38	1.1/2"	49	68	48	60	2-12	M48X2	68	49	50	55	0,57



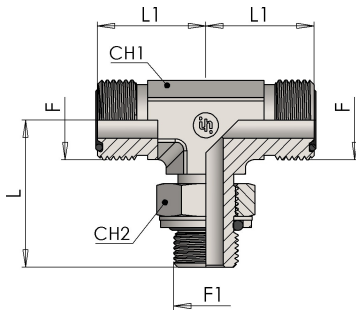
**6270**

## 45° Adjustable stud elbow ORFS-METRIC with O-ring and retaining ring

**SDE45**

Product number	Ø tube		Dimension								Thread		Weight
	mm	inch	B	C	H	E	F	F1	L	L1	CH1	CH2	kg/unit
6270-10-06	6	1/4"	16	30	14	14	9/16-18	M10X1	28	18	14	14	0,038
6270-12-06	6	1/4"	16	30	14	17	9/16-18	M12X1.5	30	18	14	17	0,044
6270-14-09	8-10	5/16"-3/8"	19	-	19	19	11/16-16	M14X1.5	32	19.5	19	19	0,075
6270-16-09	8-10	5/16"-3/8"	19	34	19	22	11/16-16	M16X1.5	34	19.5	19	22	0,082
6270-18-11	12	1/2"	21	37	19	24	13/16-16	M18X1.5	37	22	19	24	0,11
6270-18-13	14-16	5/8"	24	-	27	24	1-14	M18X1.5	40	26	27	24	0,16
6270-22-13	14-16	5/8"	24	44	27	27	1-14	M22X1.5	44	26	27	27	0,19
6270-27-14	18-20	3/4"	26	51	30	36	1.3/16-12	M27X2	50	27	27	32	0,235
6270-33-15	22-25	1"	30	53	37	41	1.7/16-12	M33X2	52.5	30	36	41	0,3
6270-42-21	28-32	1.1/4"	32	54	41	50	1.11/16-12	M42X2	54	32	41	50	0,445

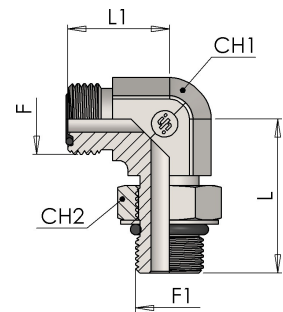
# 6420



## Adjustable stud Branch Tee ORFS-METRIC with O-ring and retaining ring

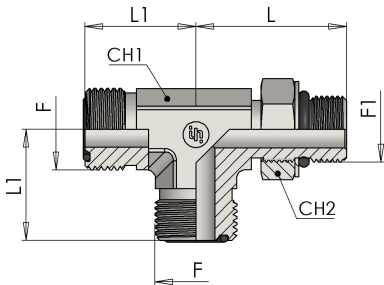
**SDBT**

Product number	Ø tube		Dimension								Thread		Weight
	mm	inch	B	C	H	E	F	F1	L	L1	CH1	CH2	kg/unit
6420-12-06	6	1/4"	22	33	14	17	9/16-18	M12X1.5	33	21	14	17	0,066
6420-14-09	8-10	5/16"-3/8"	25	37	19	19	11/16-16	M14X1.5	36	25	19	19	0,097
6420-16-09	8-10	5/16"-3/8"	25	37	19	22	11/16-16	M16X1.5	38	25	19	22	0,131
6420-18-11	12	1/2"	28	40	19	24	13/16-16	M18X1.5	41	28	19	24	0,187
6420-22-13	14-16	5/8"	34	49	27	27	1-14	M22X1.5	50	33.5	27	27	0,283
6420-27-14	18-20	3/4"	38	55	30	36	1.3/16-12	M27X2	55	37.5	27	32	0,549
6420-33-15	22-25	1"	42	60	37	41	1.7/16-12	M33X2	59	41.5	36	41	0,565
6420-42-21	28-32	1.1/4"	45	62	41	50	1.11/16-12	M42X2	62	44.5	41	50	0,824
6420-48-32	35-38	1.1/2"	49	68	48	60	2-12	M48X2	68	49	50	55	0,94

**6870****90° Adjustable stud elbow ORFS-METRIC (ISO 6149)****SDE**

Product number	Ø tube		Thread		Dimension				Weight kg/unit
	mm	inch	F	F1	L	L1	CH1	CH2	
6870-10-06	6	1/4"	9/16-18	M10x1	30	21	14	14	0.050
6870-12-06	6	1/4"	9/16-18	M12x1.5	33	21	14	17	0.052
6870-14-09	8-10	5/16"-3/8"	11/16-16	M14x1.5	36	25	19	19	0.060
6870-16-09	8-10	5/16"-3/8"	11-16-16	M16x1.5	38	25	19	22	0.065
6870-18-11	12	1/2"	13/16-16	M18x1.5	41	28	19	24	0.160
6870-18-13	14-16	5/8"	1-14	M18x1.5	45.5	33.5	27	24	0.190
6870-22-13	14-16	5/8"	1-14	M22x1.5	50	33.5	27	27	0.215
6870-27-14	18-20	3/4"	1.3/16-12	M27x2	55	37.5	27	32	0.420
6870-33-15	22-25	1"	1.7/16-12	M33x2	59	41.5	36	41	0.500
6870-42-21	28-32	1.1/4"	1.11/16-12	M42x2	62	44.5	41	50	0.560
6870-48-32	35-38	1.1/2"	2-12	M48x2	68	49	50	55	0.685

## 6880

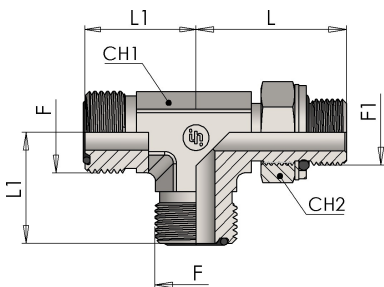


### Adjustable stud Run Tee ORFS-METRIC (ISO 6149)

**SDRT**

Product number	Ø tube		Thread		Dimension				Weight kg/unit
	mm	inch	F	F1	L	L1	CH1	CH2	
6880-12-06	6	1/4"	9/16-18	M12x1.5	33	21	14	17	0.066
6880-14-09	8-10	5/16"-3/8"	11/16-16	M14x1.5	36	25	19	19	0.080
6880-16-09	8-10	5/16"-3/8"	11/16-16	M16x1.5	38	25	19	22	0.085
6880-18-11	12	1/2"	13/16-16	M18x1.5	41	28	19	24	0.200
6880-22-13	14-16	5/8"	1-14	M22x1.5	50	33.5	27	27	0.280
6880-27-14	18-20	3/4"	1.3/16-12	M27x2	55	37.5	27	32	0.530
6880-33-15	22-25	1"	1.7/16-12	M33x2	59	41.5	36	41	0.650
6880-42-21	28-32	1.1/4"	1.11/16-12	M42x2	62	44.5	41	50	0.730
6880-48-32	35-38	1.1/2"	2-12	M48x2	68	49	50	55	0.890

## 6470



### Adjustable stud Run Tee ORFS-METRIC with O-ring and retaining ring

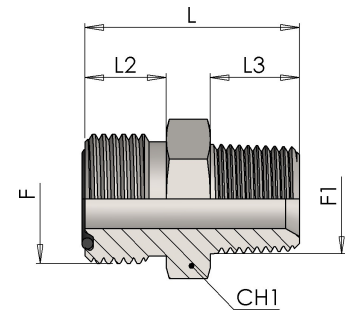
**SDRT**

Product number	Ø tube		Dimension								Thread		Weight kg/unit
	mm	inch	B	C	H	E	F	F1	L	L1	CH1	CH2	
6470-12-06	6	1/4"	22	33	14	17	9/16-18	M12X1.5	33	21	14	17	0,066
6470-14-09	8-10	5/16"-3/8"	25	37	19	19	11/16-16	M14X1.5	36	25	19	19	0,097
6470-16-09	8-10	5/16"-3/8"	25	37	19	22	11/16-16	M16X1.5	38	25	19	22	0,131
6470-18-11	12	1/2"	28	40	19	24	13/16-16	M18X1.5	41	28	19	24	0,2
6470-22-13	14-16	5/8"	34	49	27	27	1-14	M22X1.5	50	33.5	27	27	0,283
6470-27-14	18-20	3/4"	38	55	30	36	1.3/16-12	M27X2	55	37.5	27	32	0,549
6470-33-15	22-25	1"	42	60	37	41	1.7/16-12	M33X2	59	41.5	36	41	0,652
6470-42-21	28-32	1.1/4"	45	62	41	50	1.11/16-12	M42X2	62	44.5	41	50	0,824
6470-48-32	35-38	1.1/2"	49	68	48	60	2-12	M48X2	68	49	50	55	0,94

6830

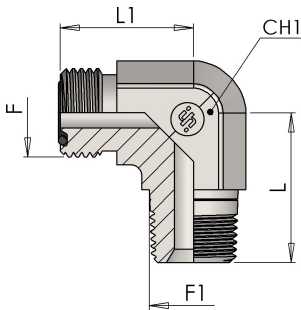
## Male stud connector ORFS-NPTF

SDS



Product number	Ø tube		Thread		Dimension				Weight
	mm	inch	F	F1	L	L2	L3	CH1	kg/unit
6830-02-06	6	1/4"	9/16-18	1/8-27 NPTF	27	10	10	17	0,026
6830-04-06	6	1/4"	9/16-18	1/4-18 NPTF	33	10	14.5	17	0,034
6830-04-09	8-10	5/16"-3/8"	11/16-16	1/4-18 NPTF	34	11	14.5	19	0,039
6830-06-06	6	1/4"	9/16-18	3/8-18 NPTF	33	10	14.5	19	0,047
6830-06-09	8-10	5/16"-3/8"	11/16-16	3/8-18 NPTF	34	11	14.5	19	0,052
6830-06-11	12	1/2"	13/16-16	3/8-18 NPTF	37	13	14.5	22	0,083
6830-08-09	8-10	5/16"-3/8"	11/16-16	1/2-14 NPTF	35	11	19	22	0,082
6830-08-11	12	1/2"	13/16-16	1/2-14 NPT	42	13	19	22	0,084
6830-08-13	14-16	5/8"	1-14	1/2-14 NPTF	44.5	15.5	19	27	0,115
6830-08-14	18-20	3/4"	1.3/16-12	1/2-14 NPTF	48	17	19	32	0,165
6830-12-11	8-10	5/16"-3/8"	13/16-16	3/4-14 NPTF	45	13	19	27	0,166
6830-12-13	14-16	5/8"	1-14	3/4-14 NPTF	46.5	15.5	19	27	0,138
6830-12-14	18-20	3/4"	1.3/16-12	3/4-14 NPTF	48	17	19	32	0,179
6830-12-15	22-25	1"	1.7/16-12	3/4-14 NPTF	49	17.5	19	41	0,238
6830-16-14	18-20	3/4"	1.3/16-12	1-11.1/2 NPTF	53.5	17	24	36	0,225
6830-16-15	22-25	1"	1.7/16-12	1-11.1/2 NPTF	54	17.5	24	41	0,271
6830-20-21	28-32	1.1/4"	1.11/16-12	1.1/4-1.1/2 NPTF	56	17.5	24.5	46	0,424
6830-24-32	35-38	1.1/2"	2-12	1.1/2-11.1/2 NPTF	59	17.5	25.5	55	0,534

## 6230

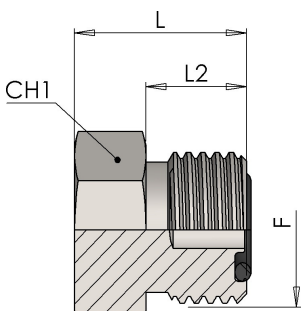


### 90° Male stud elbows ORFS-NPTF

SDE

Product number	Ø tube		Thread		Dimension			Weight
	mm	inch	F	F1	L	L1	CH1	kg/unit
6230-02-06	6	1/4"	9/16-18	1/8-27 NPTF	21	21	14	0.040
6230-04-06	6	1/4"	9/16-18	1/4-18 NPTF	27.5	21	14	0.050
6230-06-09	8-10	5/16"-3/8"	11/16-16	3/8-18 NPTF	31	25	19	0.080
6230-06-11	12	1/2"	13/16-16	3/8-18 NPTF	31	28	19	0.090
6230-08-11	12	1/2"	13/16-16	1/2-14 NPTF	37	28	22	0.125
6230-08-13	14-16	5/8"	1-14	1/2-14 NPTF	36	33.5	27	0.155
6230-12-14	18-20	3/4"	1.3/16-12	3/4-14 NPTF	40.5	37.5	27	0.205
6230-16-15	22-25	1"	1.7/16-12	1-11.1/2 NPTF	50	41.5	36	0.385
6230-20-21	28-32	1.1/4"	1.11/16-12	1.1/4-1.1/2 NPTF	60.5	44.5	41	0.470
6230-24-32	35-38	1.1/2"	2-12	1.1/2-11.1/2 NPTF	67	49	50	0.605

## 6600



### ORFS Male plug (ISO 8434-3)

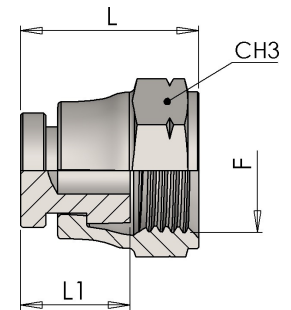
PL

Product number	Ø tube		Dimension					Thread	Weight
	mm	inch	C	E	F	L	L2	CH1	kg/unit
6600-06	6	1/4"	10	17	9/16-18	16.5	10	17	0,018
6600-09	8-10	5/16"-3/8"	11	19	11/16-16	19	11	19	0,034
6600-11	12	1/2"	13	22	13/16-16	22	13	22	0,045
6600-13	14-16	5/8"	16	27	1-14	26	15.5	27	0,091
6600-14	18-20	3/4"	17	32	1.3/16-12	27.5	17	32	0,138
6600-15	22-25	1"	18	38	1.7/16-12	28	17.5	41	0,203
6600-21	28-32	1.1/4"	18	46	1.11/16-12	28	17.5	46	0,266
6600-32	35-38	1.1/2"	18	55	2-12	28	17.5	55	0,369

# 6610

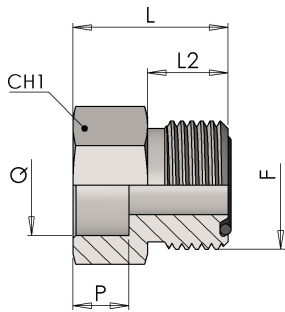
## ORFS Female plug (ISO 8434-3)

CP



Product number	Ø tube		Dimension				Thread	Weight
	mm	inch	E	F	L	L1	CH3	kg/unit
6610-06	6	1/4"	19	9/16-18	17	9	17	0,0275
6610-09	8-10	5/16"-3/8"	22	11/16-16	19	10.5	22	0,0385
6610-11	12	1/2"	24	13/16-16	22	12	24	0,0484
6610-13	14-16	5/8"	30	1-14	26	13.5	30	0,0874
6610-14	18-20	3/4"	36	1.3/16-12	28.5	15	36	0,1253
6610-15	22-25	1"	41	1.7/16-12	29.5	16	41	0,1671
6610-21	30-32	1.1/4"	50	1.11/16-12	29.5	16	50	0,3157
6610-32	35-38	1.1/2"	60	2-12	29.5	16	60	0,457

# MO



## ORFS braze-on straight connector (ISO 8434-3)

**BRS**

Product number	Ø tube		Thread	Dimension					Weight
	mm	inch	F	Q	P	L	L2	CH1	kg/unit
MO-06-10	6	1/4"	9/16-18	10	8.5	22	10	17	0.023
MO-09-10	8-10	5/16"-3/8"	11/16-16	10	8.5	23	11	19	0.036
MO-09-12	8-10	5/16"-3/8"	11/16-16	12	8.5	23	11	19	0.030
MO-11-12	12	1/2"	13/16-16	12	8.5	24.5	13	22	0.044
MO-11-16	12	1/2"	13/16-16	16	9	25	13	22	0.042
MO-13-16	14-16	5/8"	1-14	16	9	28	15.5	27	0.104
MO-14-20	18-20	3/4"	1.3/16-12	20	12.5	33.5	17	32	0.144
MO-14-25	18-20	3/4"	1.3/16-12	25	14	35	17	32	0.220
MO-15-25	22-25	1"	1.7/16-12	25	14	38.5	17.5	41	0.225
MO-15-30	22-25	1"	1.7/16-12	30	14	38.5	17.5	41	0.276
MO-21-32	28-32	1.1/4"	1.11/16-12	32	14	38.5	17.5	46	0.278
MO-21-38	28-32	1.1/4"	1.11/16-12	38	14	38.5	17.5	50	0.371